



US00D887916S

(12) **United States Design Patent**
Toriyama

(10) **Patent No.:** **US D887,916 S**

(45) **Date of Patent:** **** Jun. 23, 2020**

(54) **REAR BUMPER**

(71) Applicant: **HONDA MOTOR CO., LTD.**, Tokyo
(JP)

(72) Inventor: **Daisuke Toriyama**, Rancho Palos
Verdes, CA (US)

(73) Assignee: **HONDA MOTOR CO., LTD.**, Tokyo
(JP)

(**) Term: **15 Years**

(21) Appl. No.: **29/668,206**

(22) Filed: **Oct. 29, 2018**

(51) **LOC (12) Cl.** **12-16**

(52) **U.S. Cl.**
USPC **D12/169**

(58) **Field of Classification Search**
USPC D12/169, 164, 196, 171, 163, 86, 90-92;
293/102, 113, 115, 117, 120; 296/180.1,
296/180.2
CPC B60R 19/02; B60R 19/04; B62D 25/08
See application file for complete search history.

(56) **References Cited**

U.S. PATENT DOCUMENTS

D675,550 S	*	2/2013	Hamilton	D12/169
D712,802 S	*	9/2014	Scheinhuette	D12/169
D726,602 S	*	4/2015	Rupar	D12/169
D733,622 S	*	7/2015	Rupar	D12/169
D733,625 S	*	7/2015	Morikawa	D12/169
D772,121 S	*	11/2016	Luk	D12/169
D799,388 S	*	10/2017	Smock	D12/169

D814,988 S	*	4/2018	Szavits	D12/169
D815,572 S	*	4/2018	Perkins	D12/169
D821,940 S	*	7/2018	Platto	D12/169
D823,194 S	*	7/2018	Gueler	D12/169
D838,638 S	*	1/2019	Wada	D12/169
D841,537 S	*	2/2019	Morikawa	D12/169
D842,769 S	*	3/2019	Takamatsu	D12/169
D854,980 S	*	7/2019	Bucher	D12/169
D854,981 S	*	7/2019	Smock	D12/169
D856,214 S	*	8/2019	Nakajima	D12/169
D856,872 S	*	8/2019	Smith	D12/169
D871,279 S	*	12/2019	Tonello	D12/169

* cited by examiner

Primary Examiner — Melody N Brown

(74) *Attorney, Agent, or Firm* — Arent Fox LLP

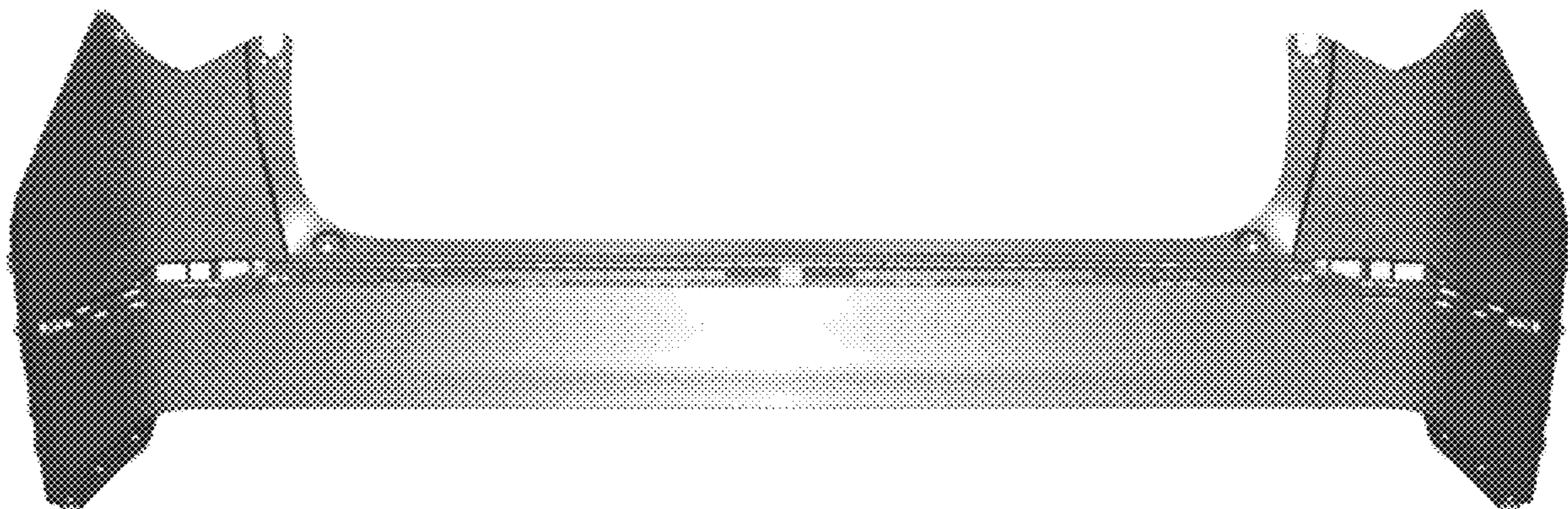
(57) **CLAIM**

The ornamental design for a rear bumper, as shown and described.

DESCRIPTION

FIG. 1 is a right, front perspective view of a rear bumper showing my new design;
FIG. 2 is a left, front perspective view thereof;
FIG. 3 is a left, rear perspective view thereof;
FIG. 4 is a right, rear perspective view thereof;
FIG. 5 is a front elevational view thereof;
FIG. 6 is a rear elevational view thereof;
FIG. 7 is a left side elevational view thereof;
FIG. 8 is a right side elevational view thereof;
FIG. 9 is a top plan view thereof; and,
FIG. 10 is a bottom plan view thereof.

1 Claim, 10 Drawing Sheets



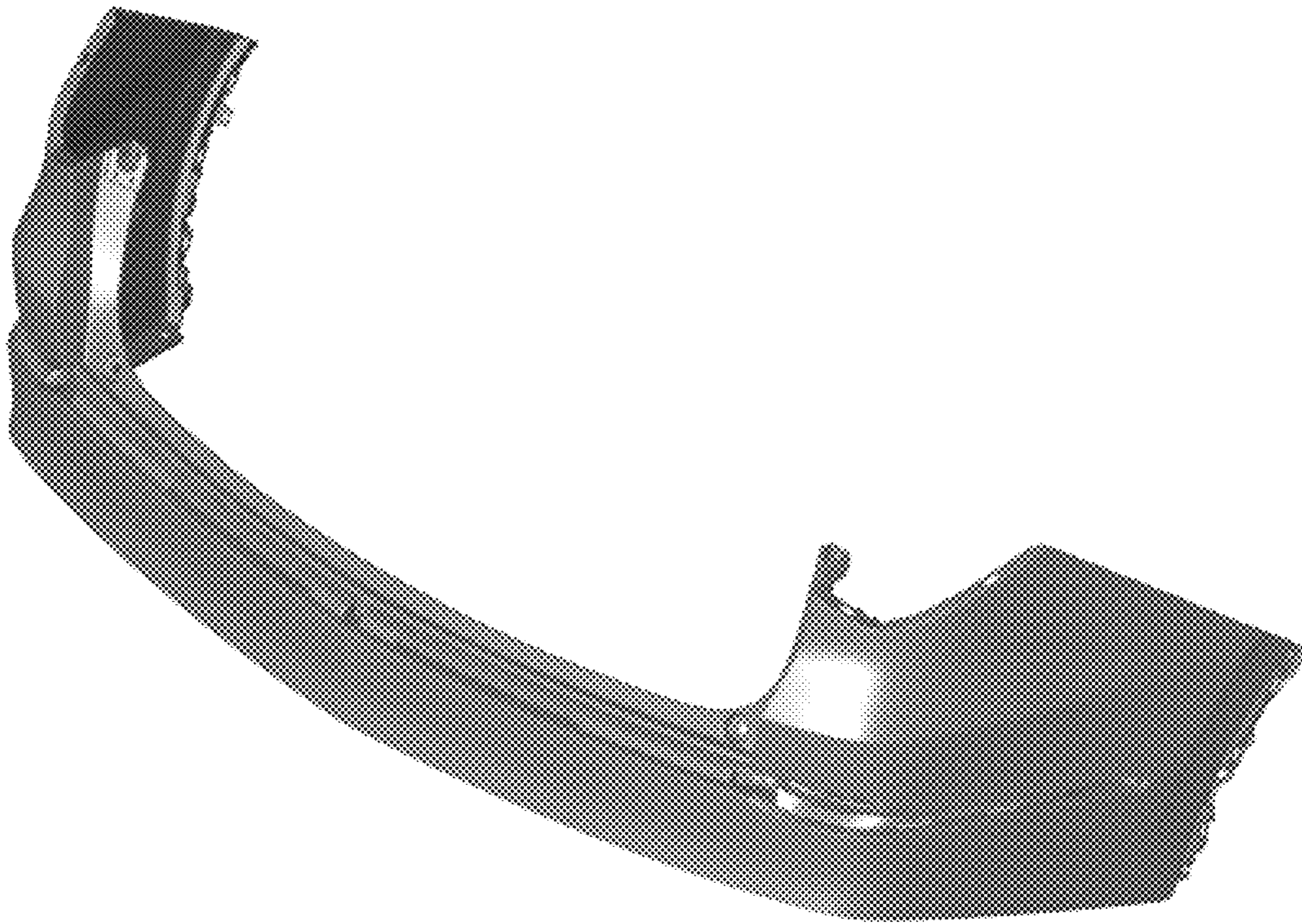


FIG. 1

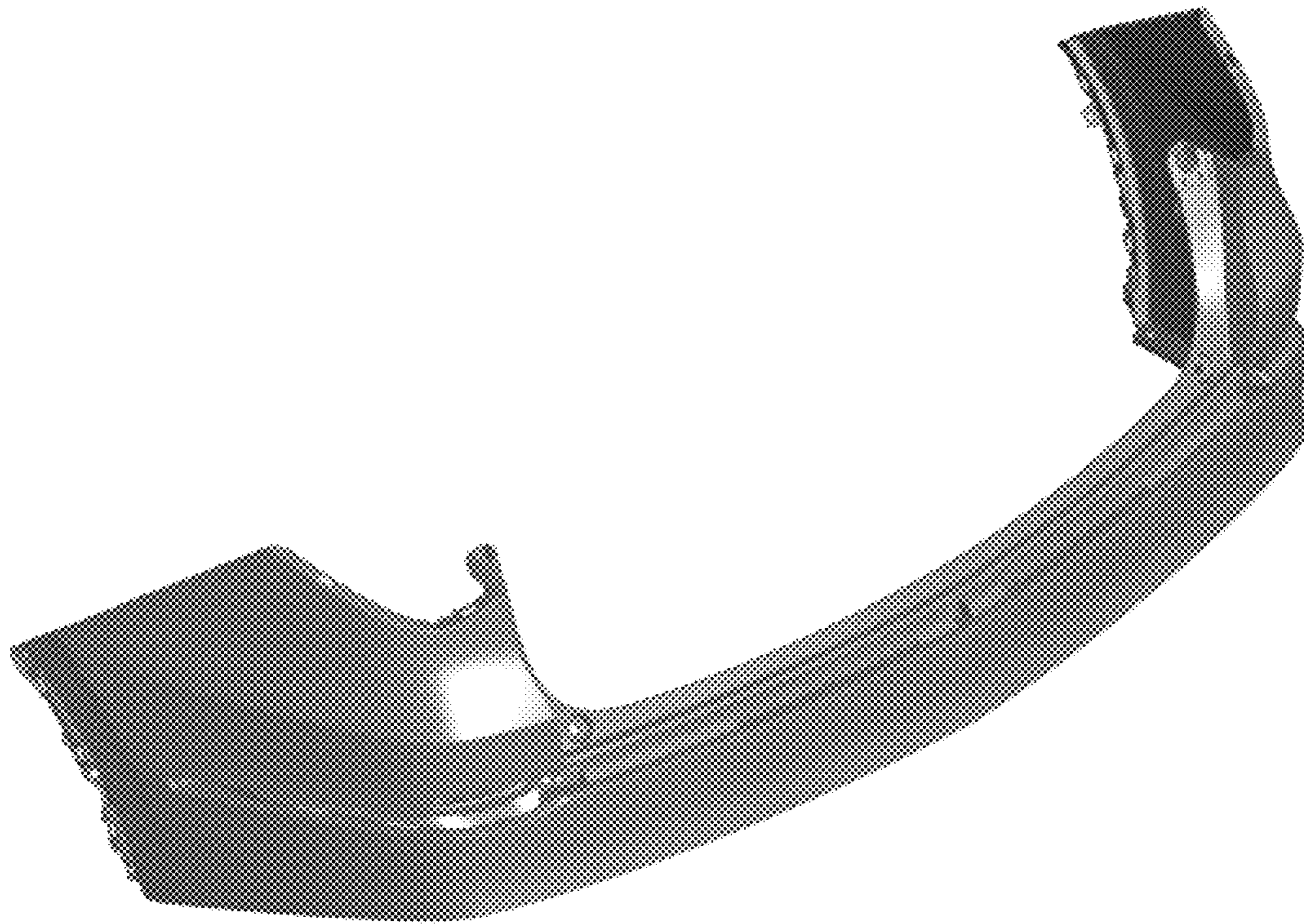


FIG. 2

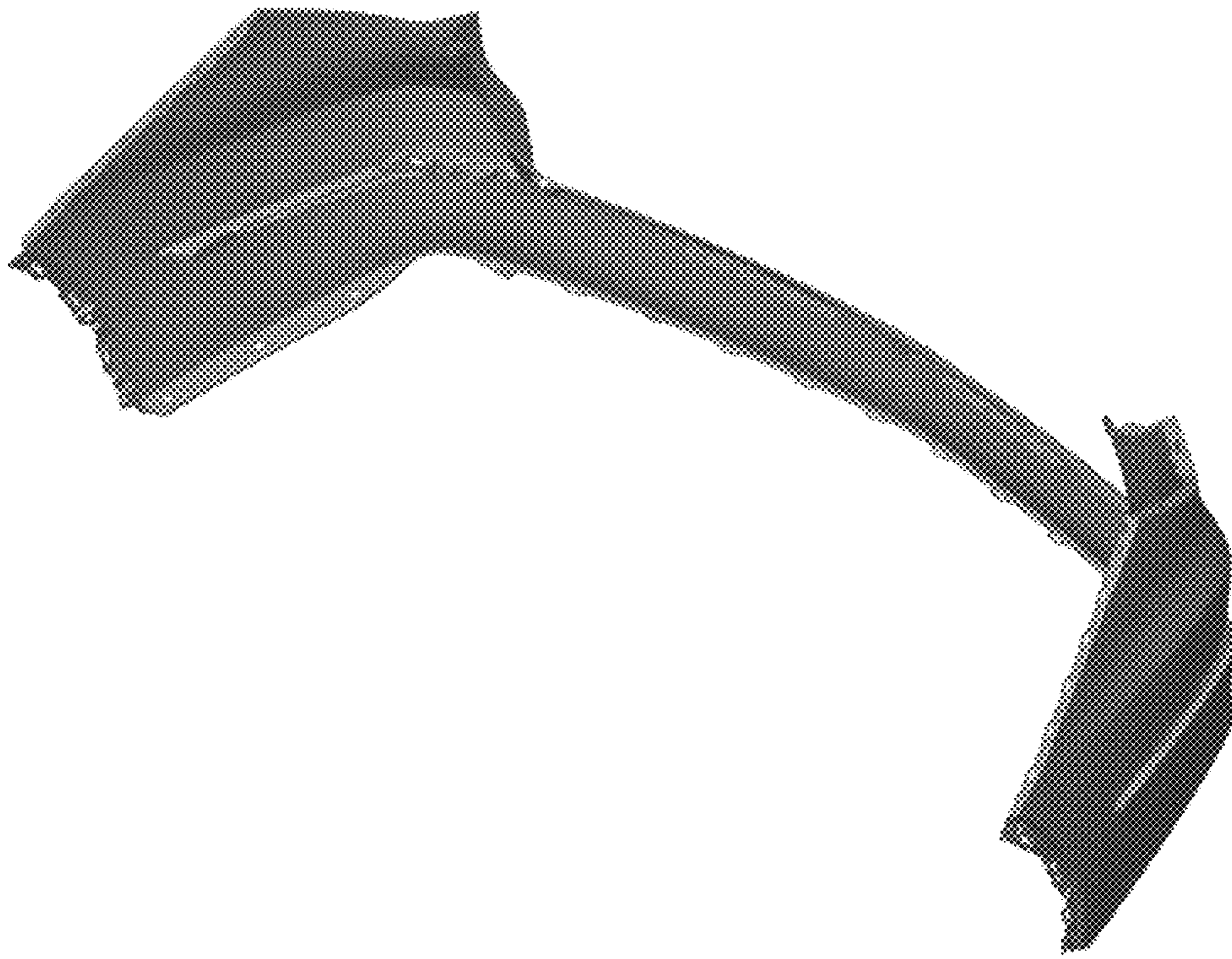


FIG. 3

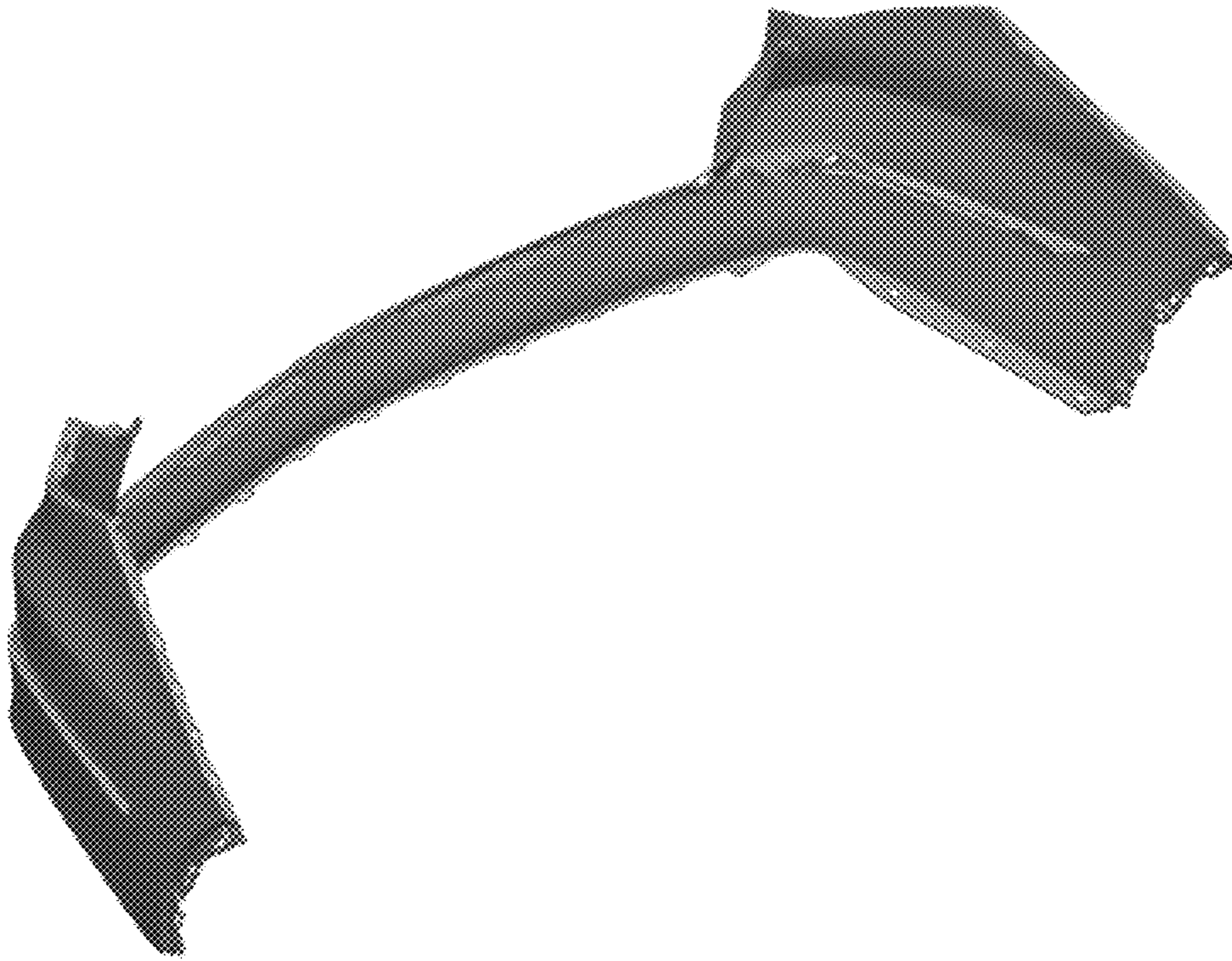


FIG. 4

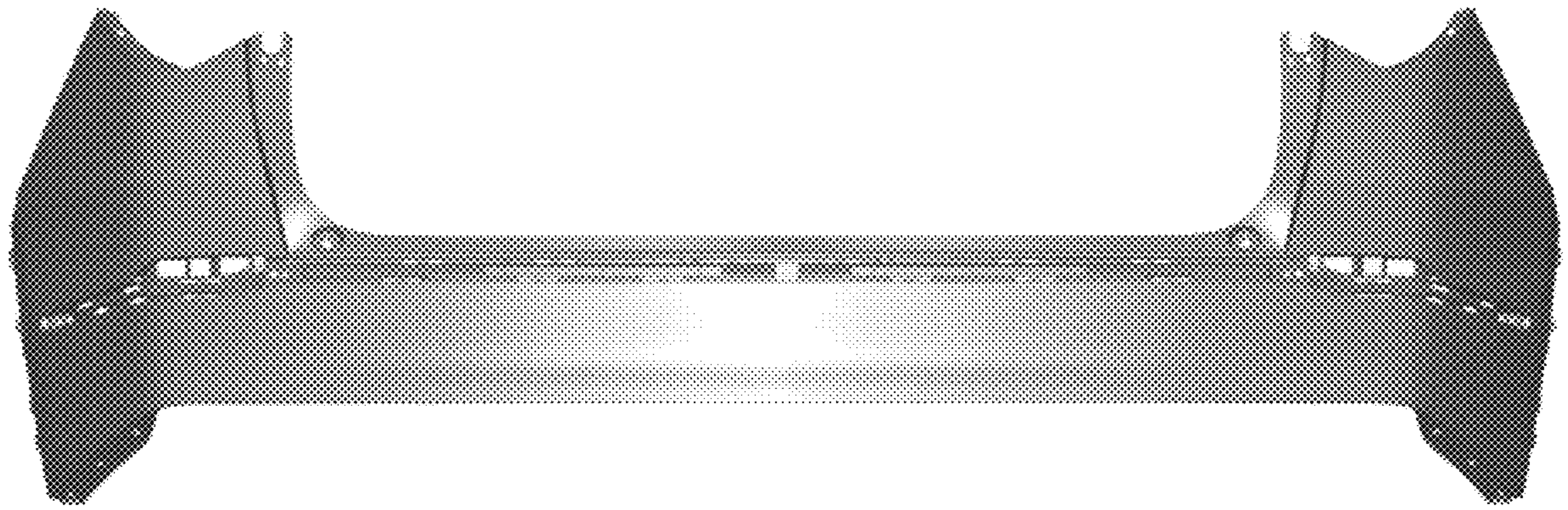


FIG. 5

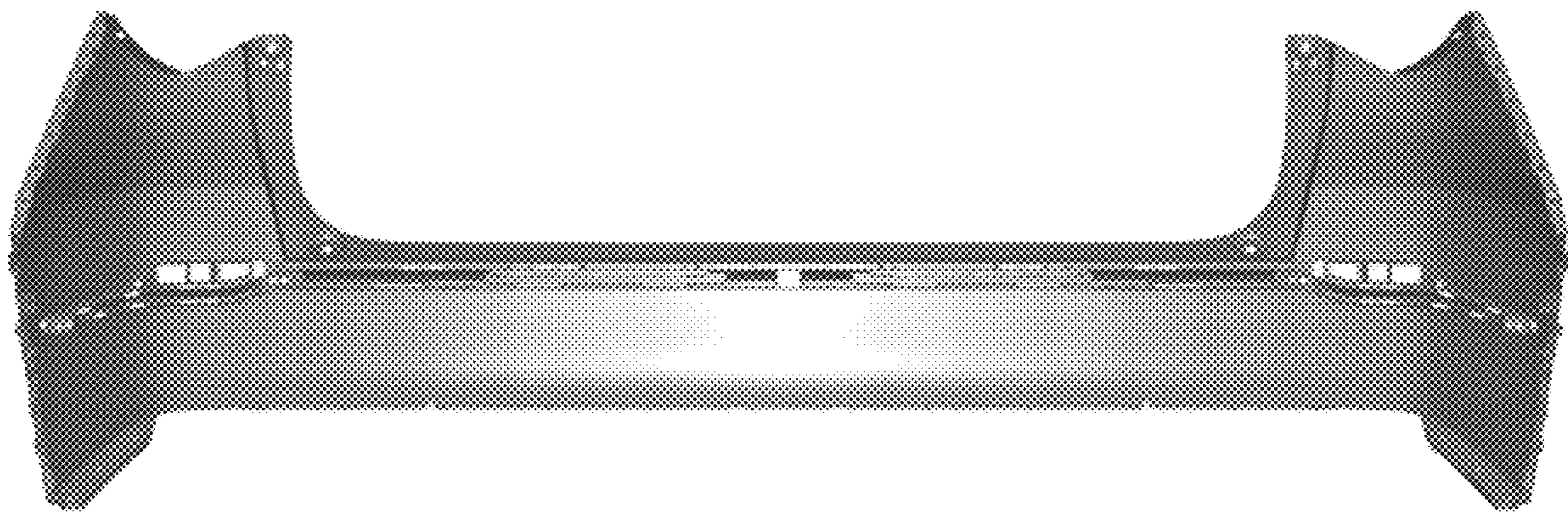


FIG. 6

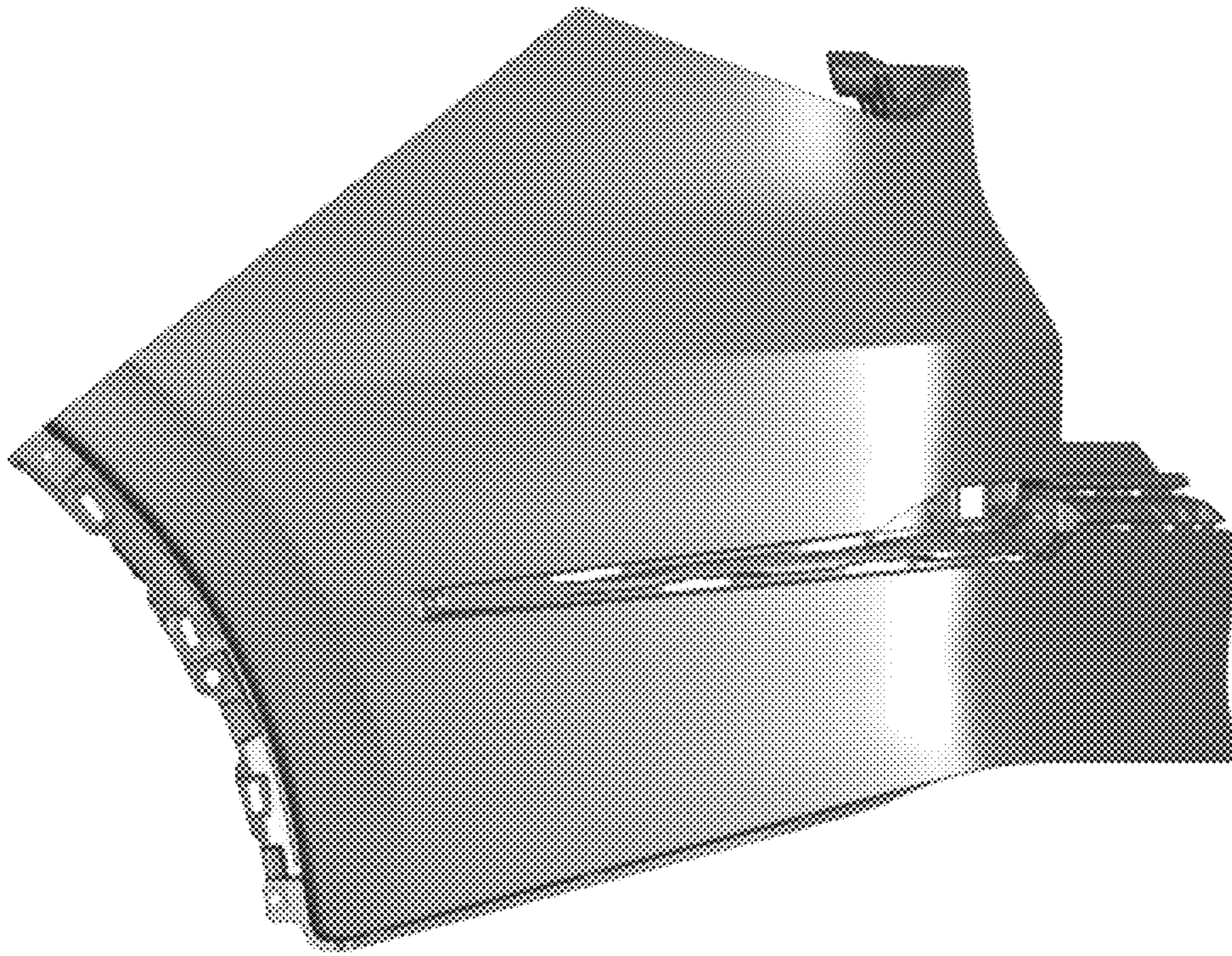


FIG. 7

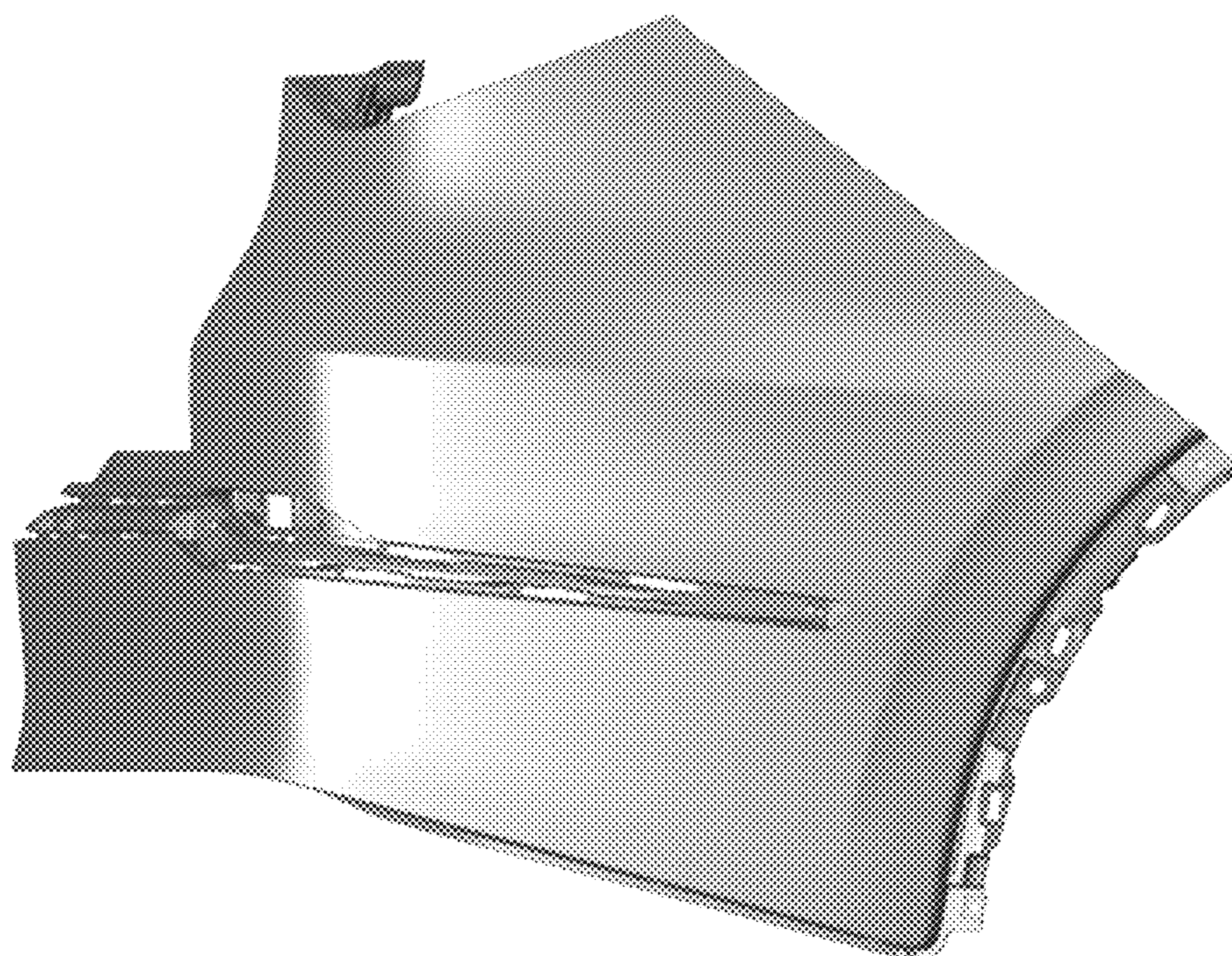


FIG. 8

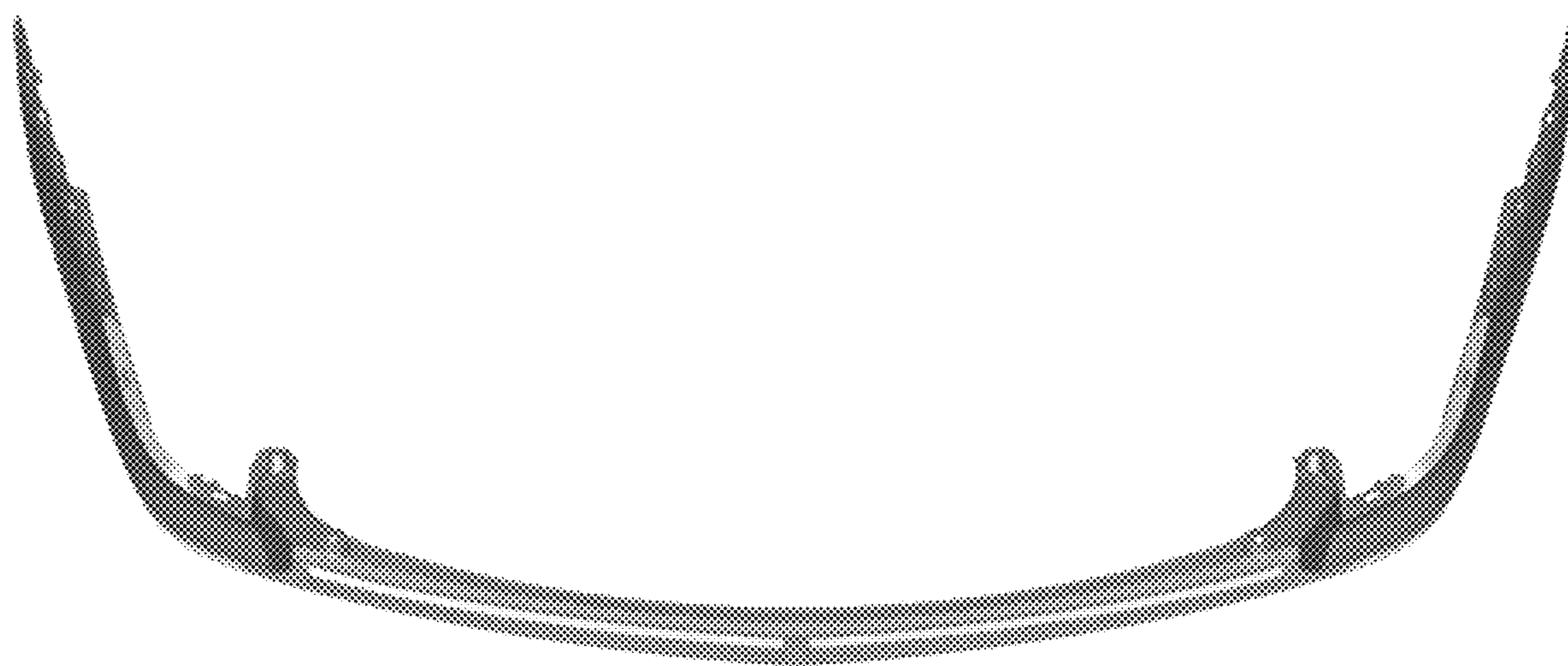


FIG. 9

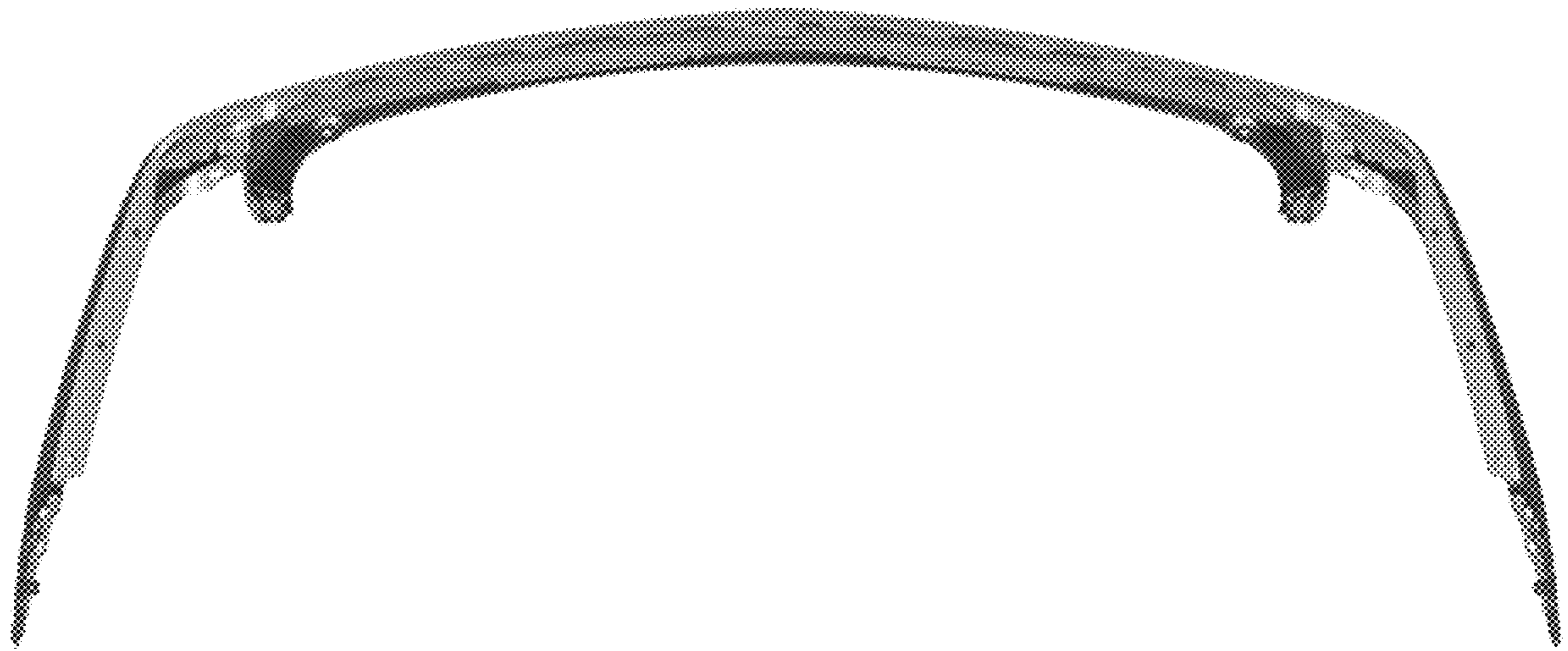


FIG. 10