



US00D887915S

(12) **United States Design Patent**  
**Davidson**

(10) **Patent No.:** **US D887,915 S**  
(45) **Date of Patent:** **\*\* Jun. 23, 2020**

(54) **REAR BUMPER**

(71) Applicant: **HONDA MOTOR CO., LTD.**, Tokyo (JP)

(72) Inventor: **Benjamin R. Davidson**, Torrance, CA (US)

(73) Assignee: **HONDA MOTOR CO., LTD.**, Tokyo (JP)

(\*\*) Term: **15 Years**

(21) Appl. No.: **29/667,859**

(22) Filed: **Oct. 25, 2018**

(51) **LOC (12) Cl.** ..... **12-16**

(52) **U.S. Cl.**  
USPC ..... **D12/169**

(58) **Field of Classification Search**  
USPC .... D12/169, 164, 196, 171, 163, 86, 90-92;  
293/102, 113, 115, 117, 120; 296/180.1,  
296/180.2  
CPC ..... B60R 19/02; B60R 19/04; B62D 25/08  
See application file for complete search history.

(56) **References Cited**

**U.S. PATENT DOCUMENTS**

D610,957 S	*	3/2010	Bucher	.....	D12/169
D745,445 S	*	12/2015	Loeb	.....	D12/169
D764,984 S	*	8/2016	Stopka	.....	D12/169
D770,949 S	*	11/2016	Morikawa	.....	D12/169
D773,355 S	*	12/2016	Kawaguchi	.....	D12/169
D789,849 S	*	6/2017	Lee	.....	D12/169
D798,202 S	*	9/2017	Zavatski	.....	D12/169
D800,030 S	*	10/2017	Jung	.....	D12/169

D804,371 S	*	12/2017	Whitla	.....	D12/169
D813,110 S	*	3/2018	Whitla	.....	D12/169
D813,753 S	*	3/2018	Loeb	.....	D12/169
D816,565 S	*	5/2018	Kim	.....	D12/169
D819,525 S	*	6/2018	Behmer	.....	D12/169
D823,194 S	*	7/2018	Gueler	.....	D12/169
D824,300 S	*	7/2018	Badstuebner	.....	D12/169
D824,817 S	*	8/2018	Morikawa	.....	D12/169
D824,818 S	*	8/2018	Morikawa	.....	D12/169
D826,113 S	*	8/2018	Kanai	.....	D12/169
D827,519 S	*	9/2018	Komuro	.....	D12/169
D847,045 S	*	4/2019	Whitla	.....	D12/169
D863,151 S	*	10/2019	Sasazawa	.....	D12/169
D870,611 S	*	12/2019	Tonello	.....	D12/169

\* cited by examiner

*Primary Examiner* — Melody N Brown

(74) *Attorney, Agent, or Firm* — Arent Fox LLP

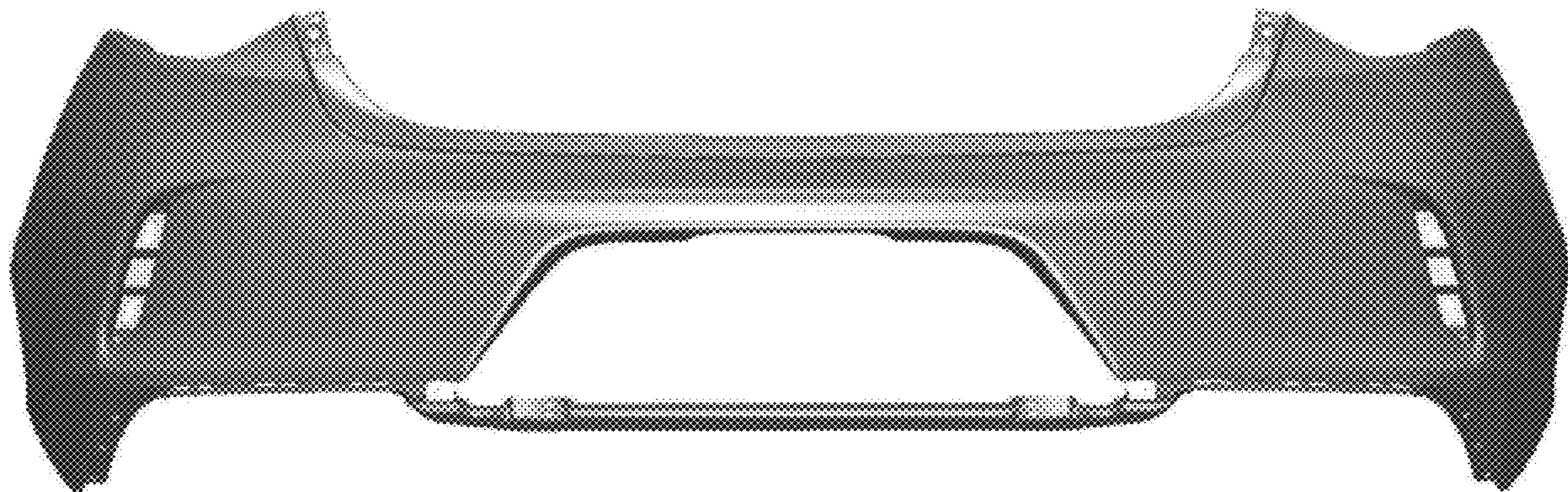
(57) **CLAIM**

The ornamental design for a rear bumper, as shown and described.

**DESCRIPTION**

FIG. 1 is a right, front perspective view of a rear bumper showing my new design;  
FIG. 2 is a left, front perspective view thereof;  
FIG. 3 is a left, rear perspective view thereof;  
FIG. 4 is a right, rear perspective view thereof;  
FIG. 5 is a front elevational view thereof;  
FIG. 6 is a rear elevational view thereof;  
FIG. 7 is a left side elevational view thereof;  
FIG. 8 is a right side elevational view thereof;  
FIG. 9 is a top plan view thereof; and,  
FIG. 10 is a bottom plan view thereof.

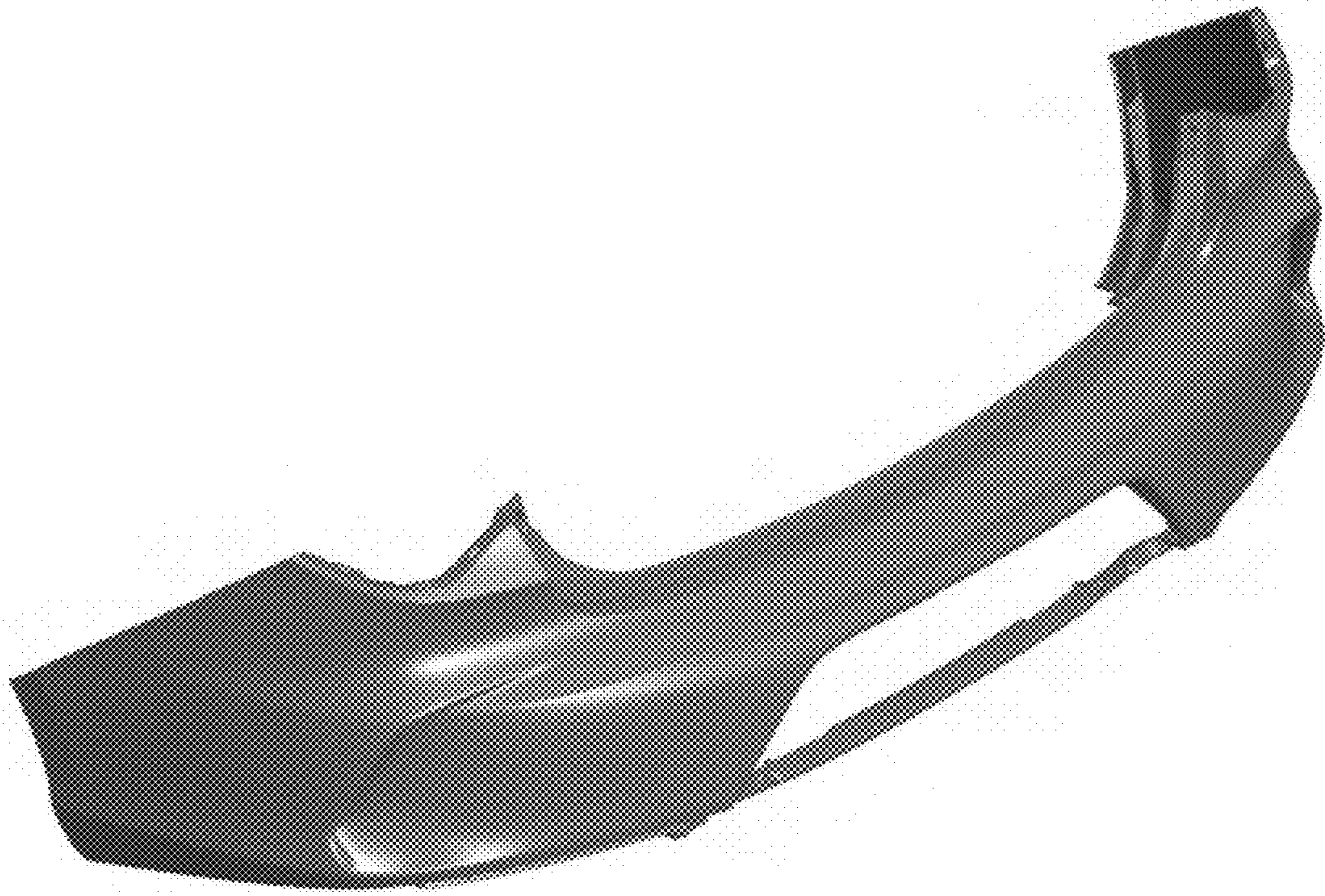
**1 Claim, 10 Drawing Sheets**



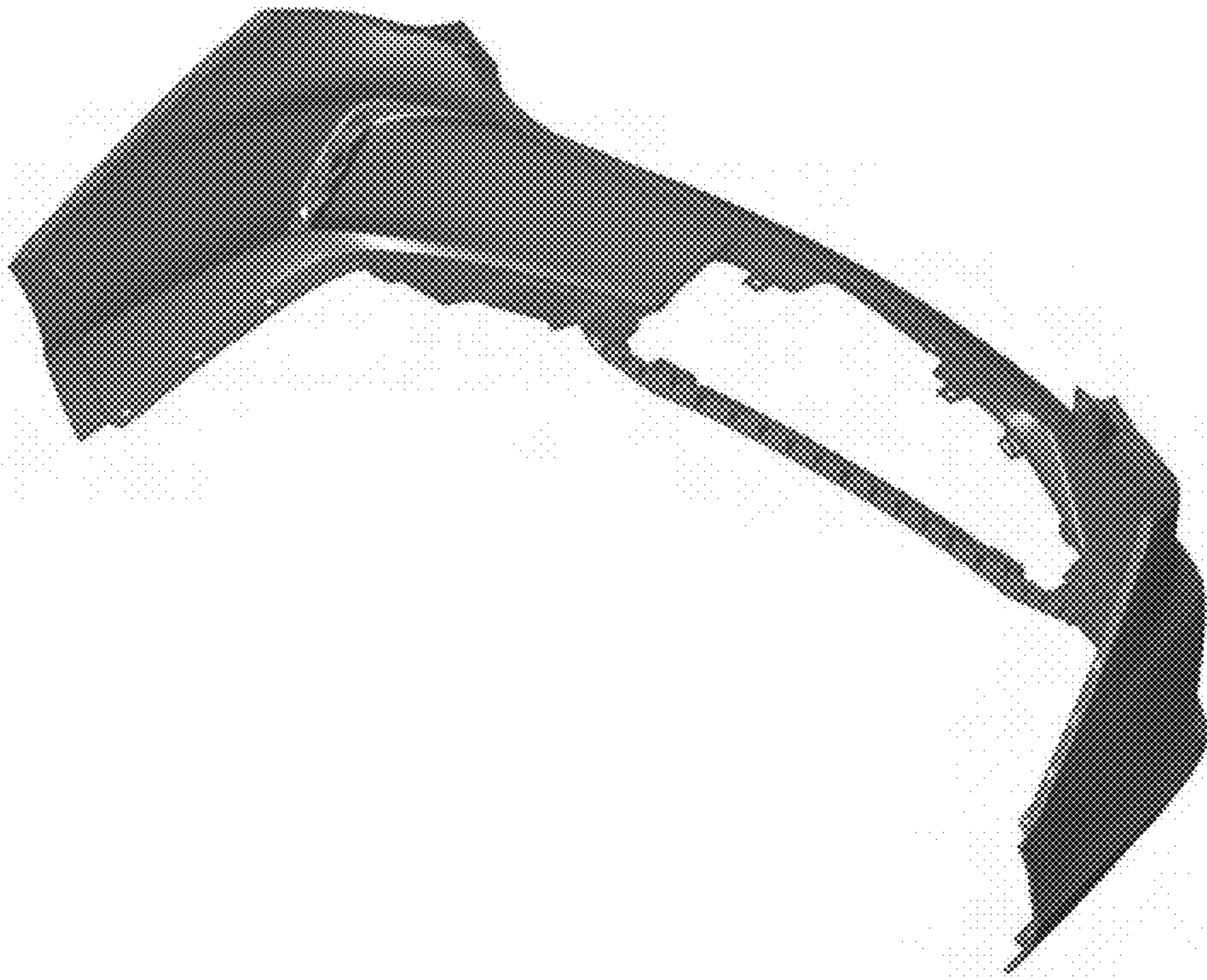


**FIG. 1**

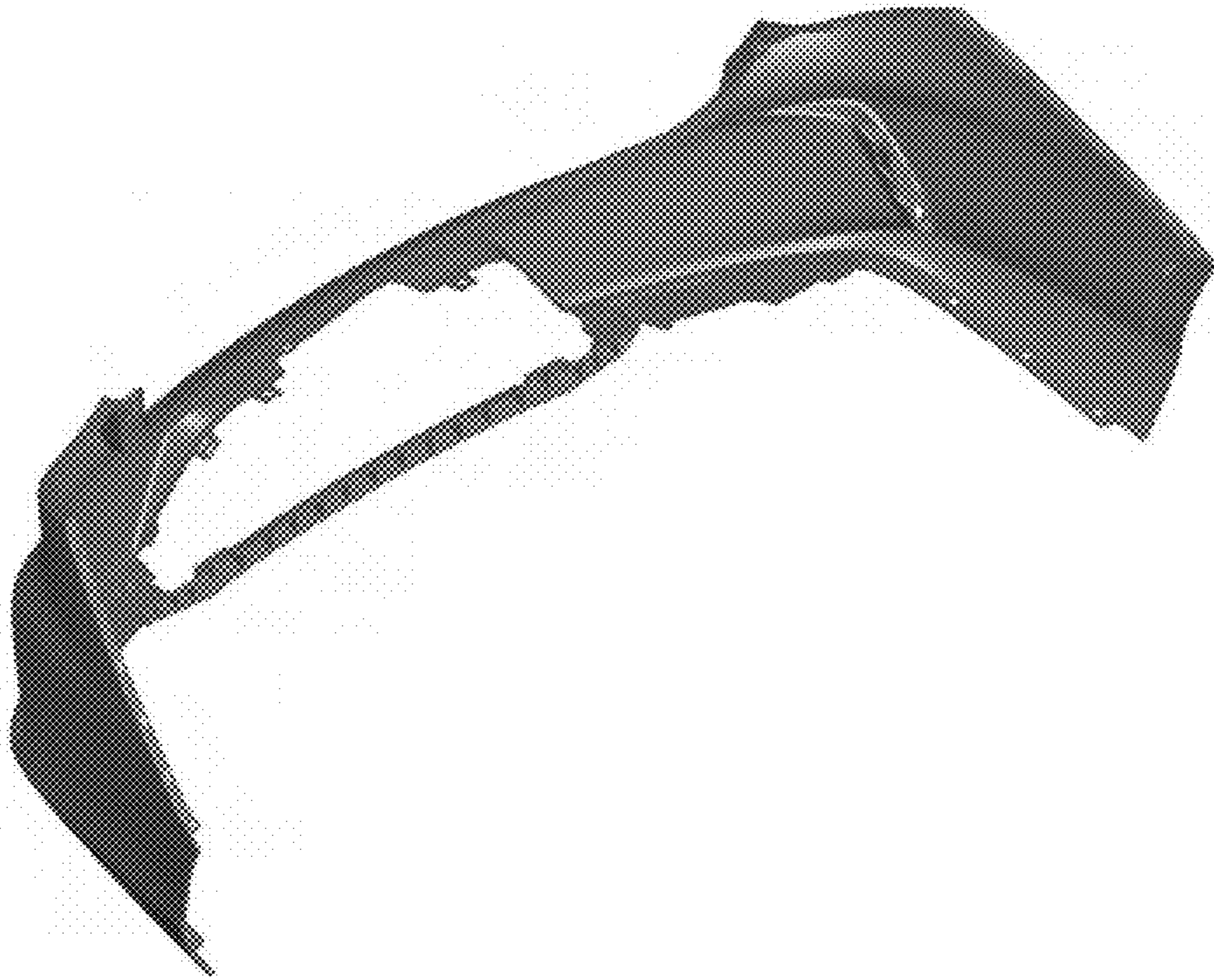




**FIG. 2**

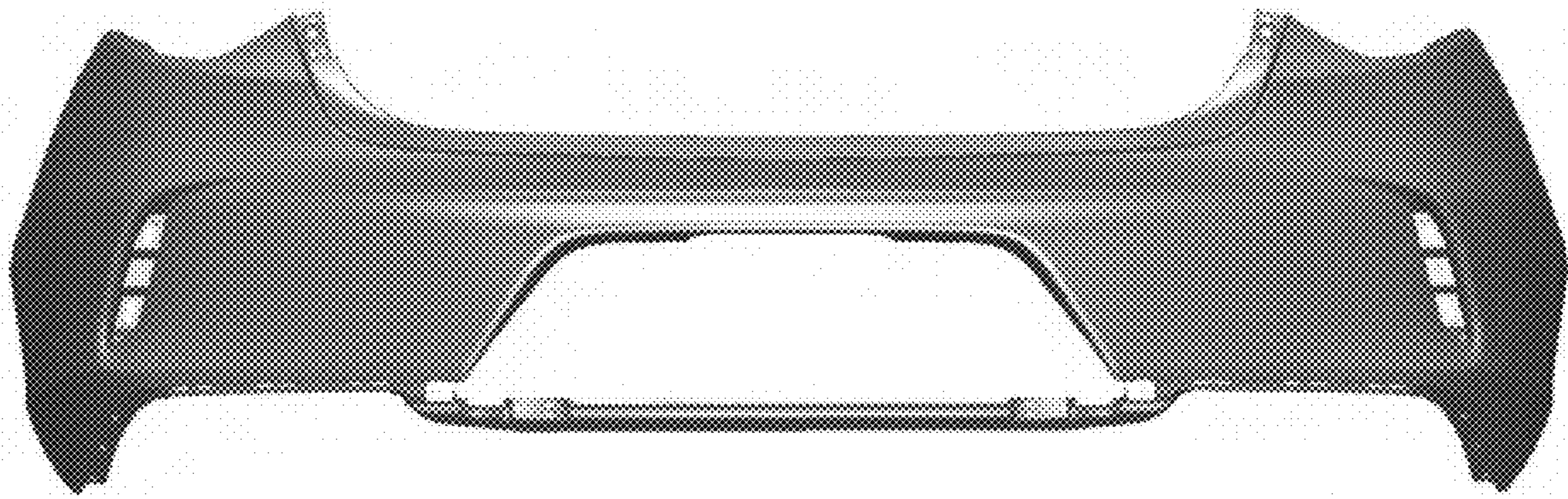


**FIG. 3**

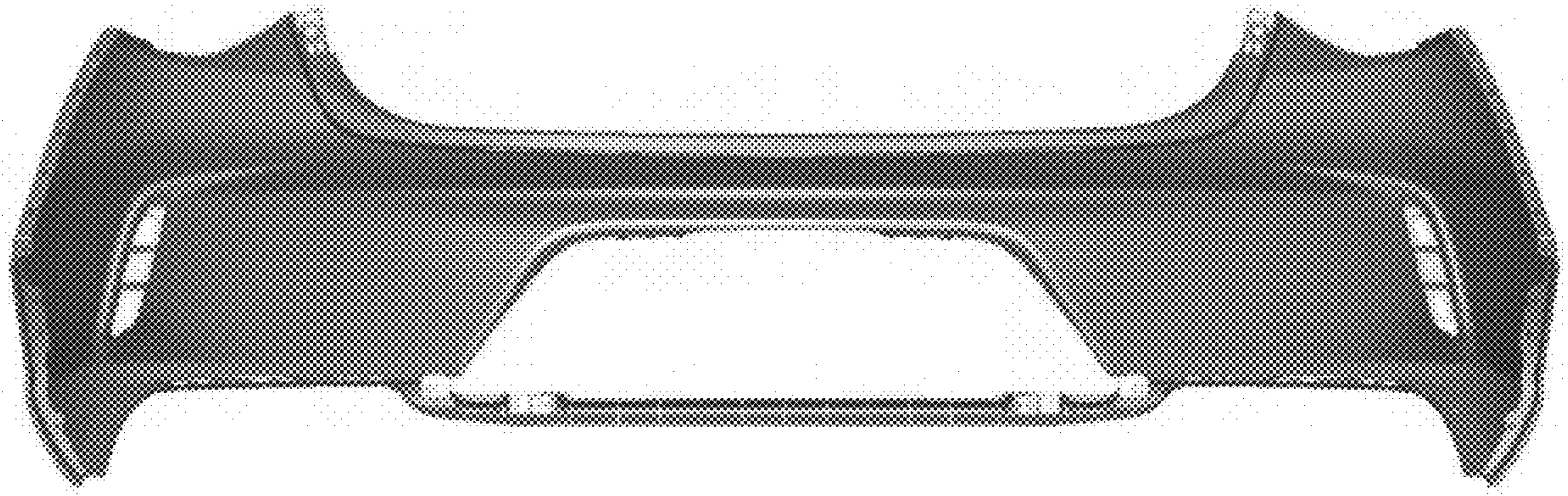


**FIG. 4**

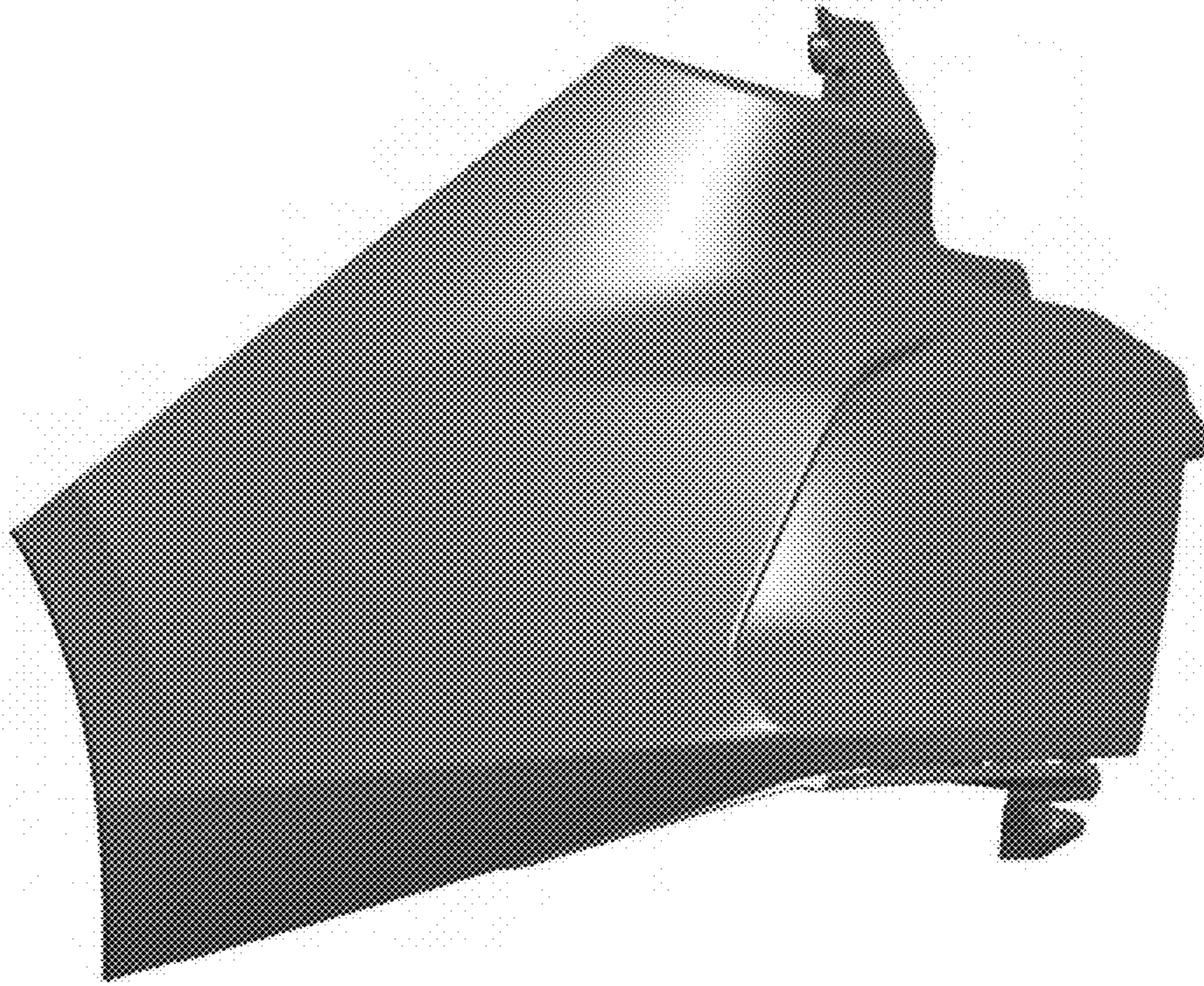




**FIG. 5**

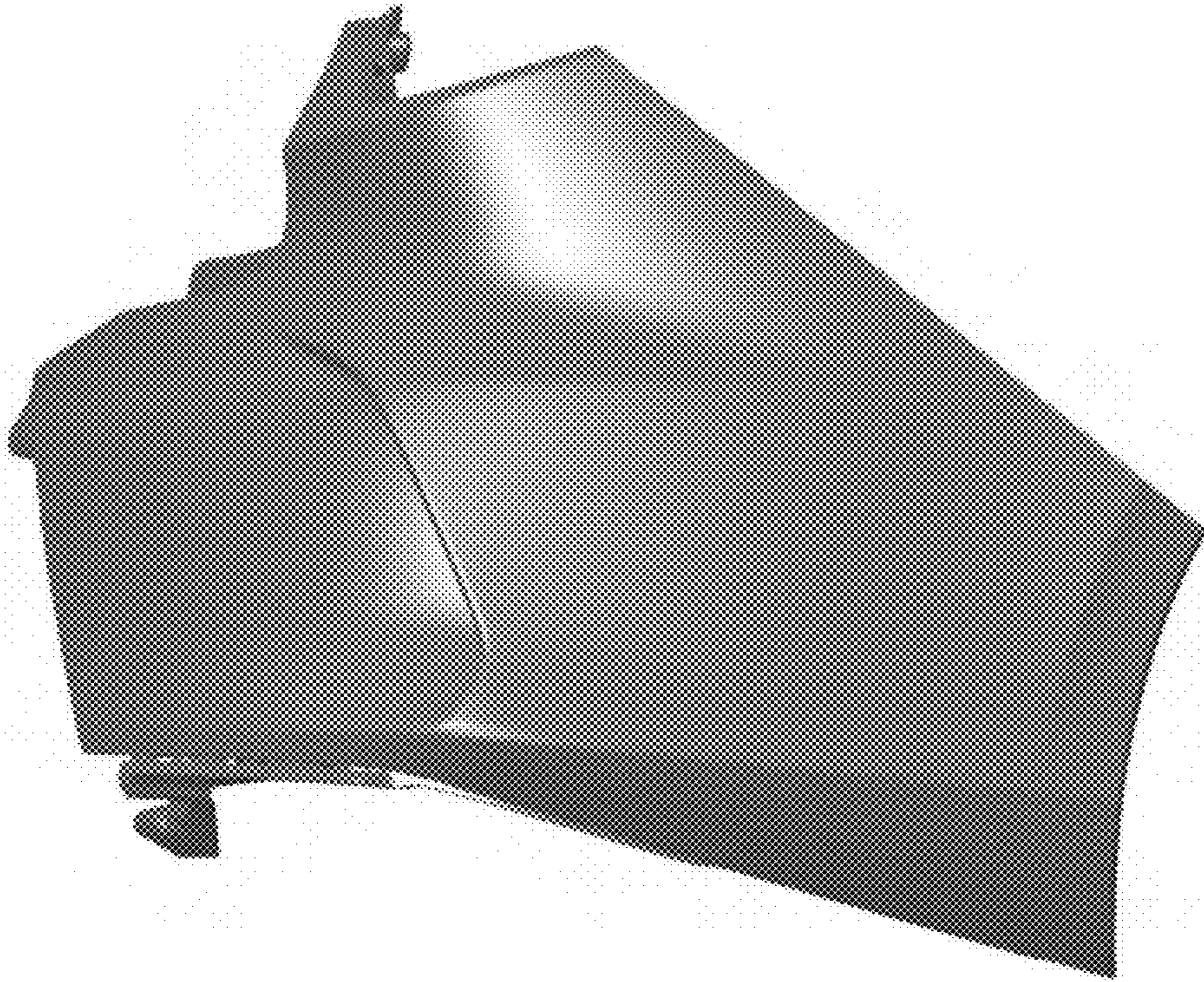


**FIG. 6**

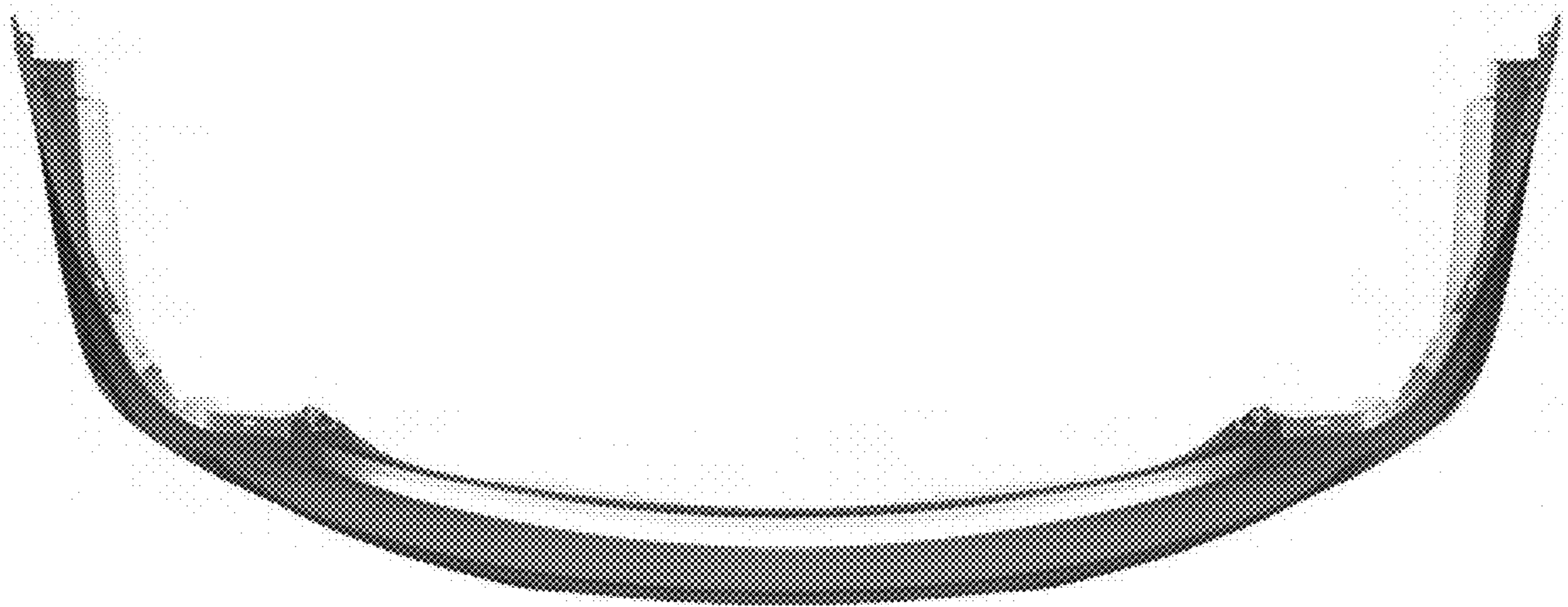


**FIG. 7**



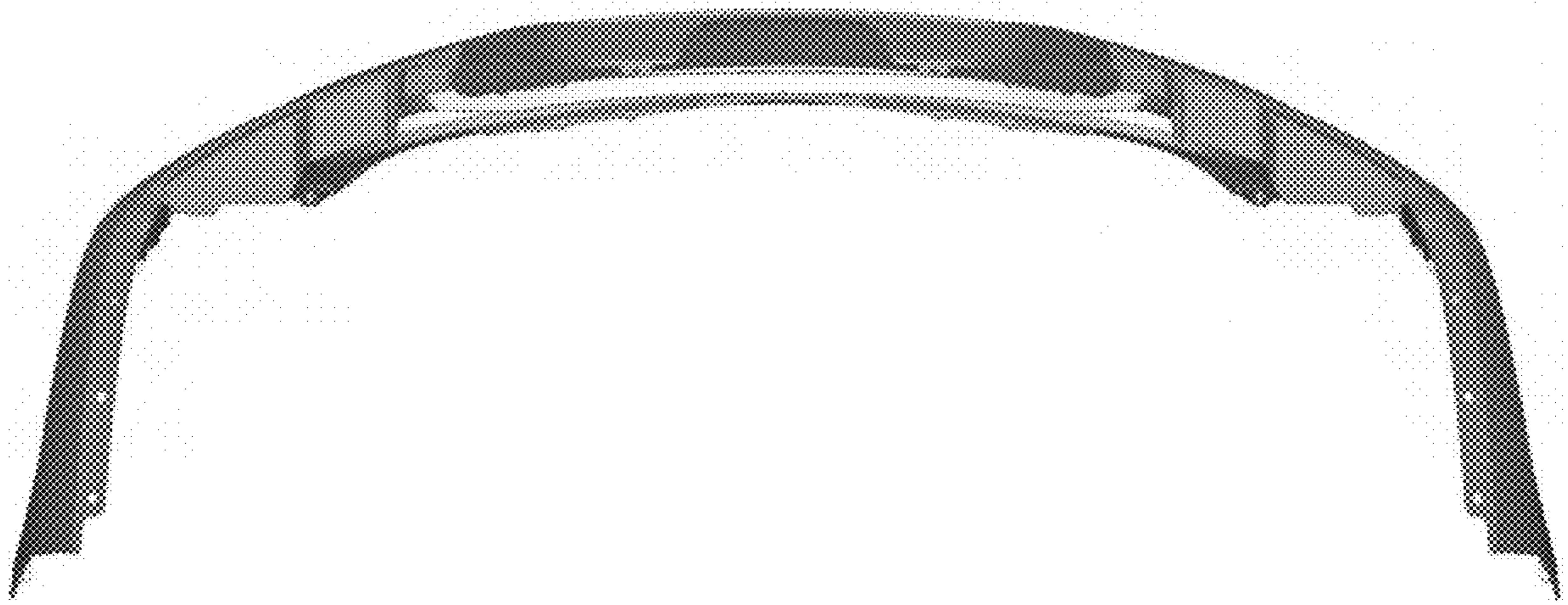


**FIG. 8**



**FIG. 9**





**FIG. 10**