



US00D887910S

(12) **United States Design Patent**  
**Noel**

(10) **Patent No.:** **US D887,910 S**  
(45) **Date of Patent:** **\*\* Jun. 23, 2020**

(54) **GUIDE FOR USE WITH A TRAILER HITCH BALL**

(71) Applicant: **Kenneth E. Noel**, Sacramento, CA (US)

(72) Inventor: **Kenneth E. Noel**, Sacramento, CA (US)

(\*\*) Term: **15 Years**

(21) Appl. No.: **29/681,770**

(22) Filed: **Feb. 27, 2019**

(51) **LOC (12) Cl.** ..... **12-16**

(52) **U.S. Cl.**  
USPC ..... **D12/162**

(58) **Field of Classification Search**  
USPC ..... D12/159-162  
CPC . B60D 1/60; B60D 1/065; B60D 1/00; B60D 1/06; B60D 1/36  
See application file for complete search history.

(56) **References Cited**

**U.S. PATENT DOCUMENTS**

D414,732 S \* 10/1999 Redmond ..... D12/162  
D855,500 S \* 8/2019 Metternich ..... D12/162

D862,306 S \* 10/2019 Porath ..... B60D 1/605  
D12/162  
D862,308 S \* 10/2019 Siegel ..... D12/162  
D870,605 S \* 12/2019 Huebner ..... D12/162  
D873,723 S \* 1/2020 Borkholder ..... D12/162  
D875,620 S \* 2/2020 Watson ..... D12/162  
D876,290 S \* 2/2020 Kirkland ..... D12/162  
D879,670 S \* 3/2020 Borkholder ..... D12/162  
D880,376 S \* 4/2020 Goodner ..... D12/162  
D881,078 S \* 4/2020 Rebick ..... D12/162

\* cited by examiner

*Primary Examiner* — Katrina A Betton

(74) *Attorney, Agent, or Firm* — Bruce A. Lev

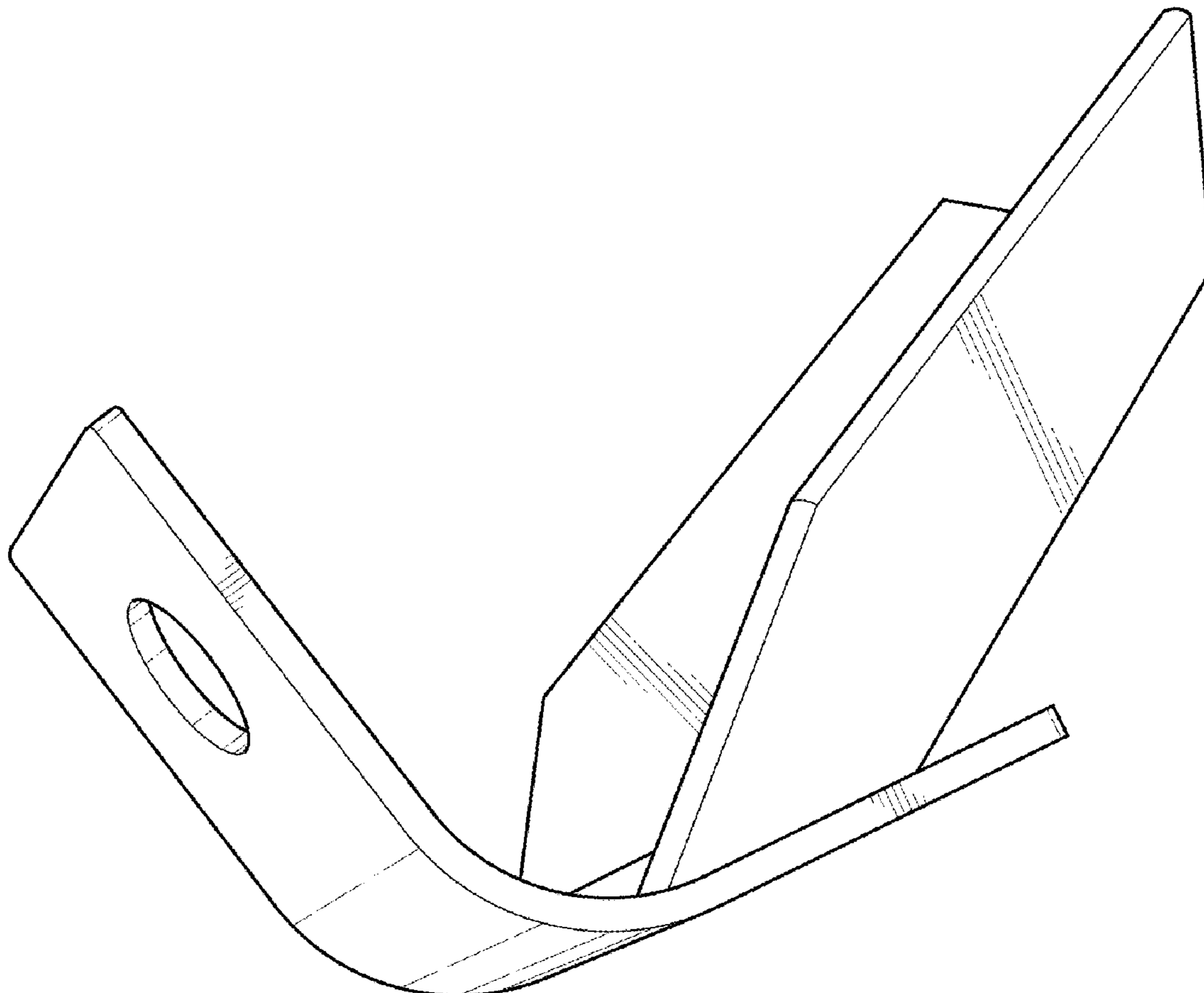
(57) **CLAIM**

The ornamental design for a guide for use with a trailer hitch ball, as shown and described.

**DESCRIPTION**

FIG. 1 is a perspective view of the guide for use with a trailer hitch ball showing my new design;  
FIG. 2 is a front elevation view thereof;  
FIG. 3 is a rear elevation view thereof;  
FIG. 4 is a right elevation view thereof;  
FIG. 5 is a left elevation view thereof;  
FIG. 6 is a top plan view thereof; and,  
FIG. 7 is a bottom plan view thereof.

**1 Claim, 4 Drawing Sheets**



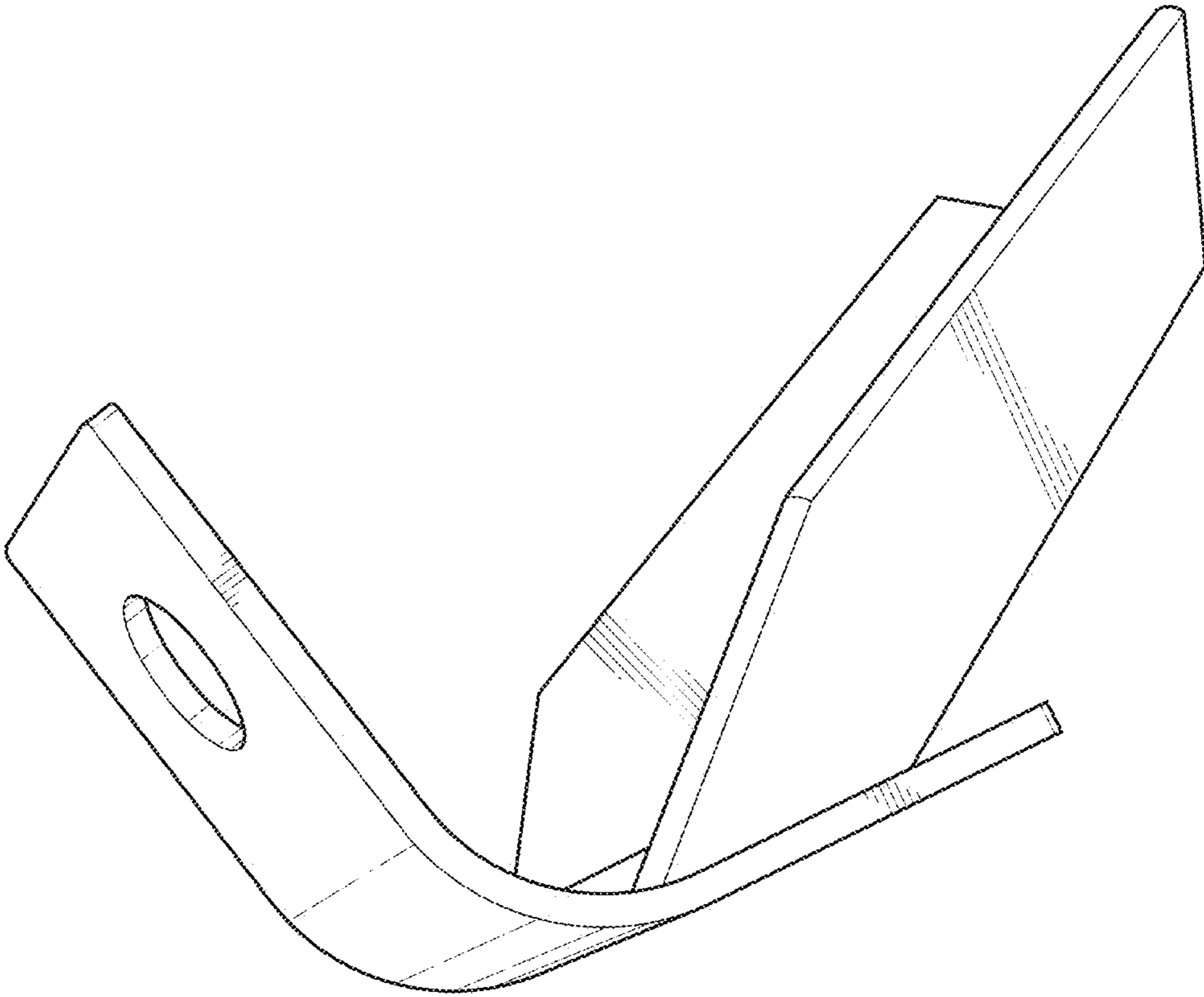


FIG. 1

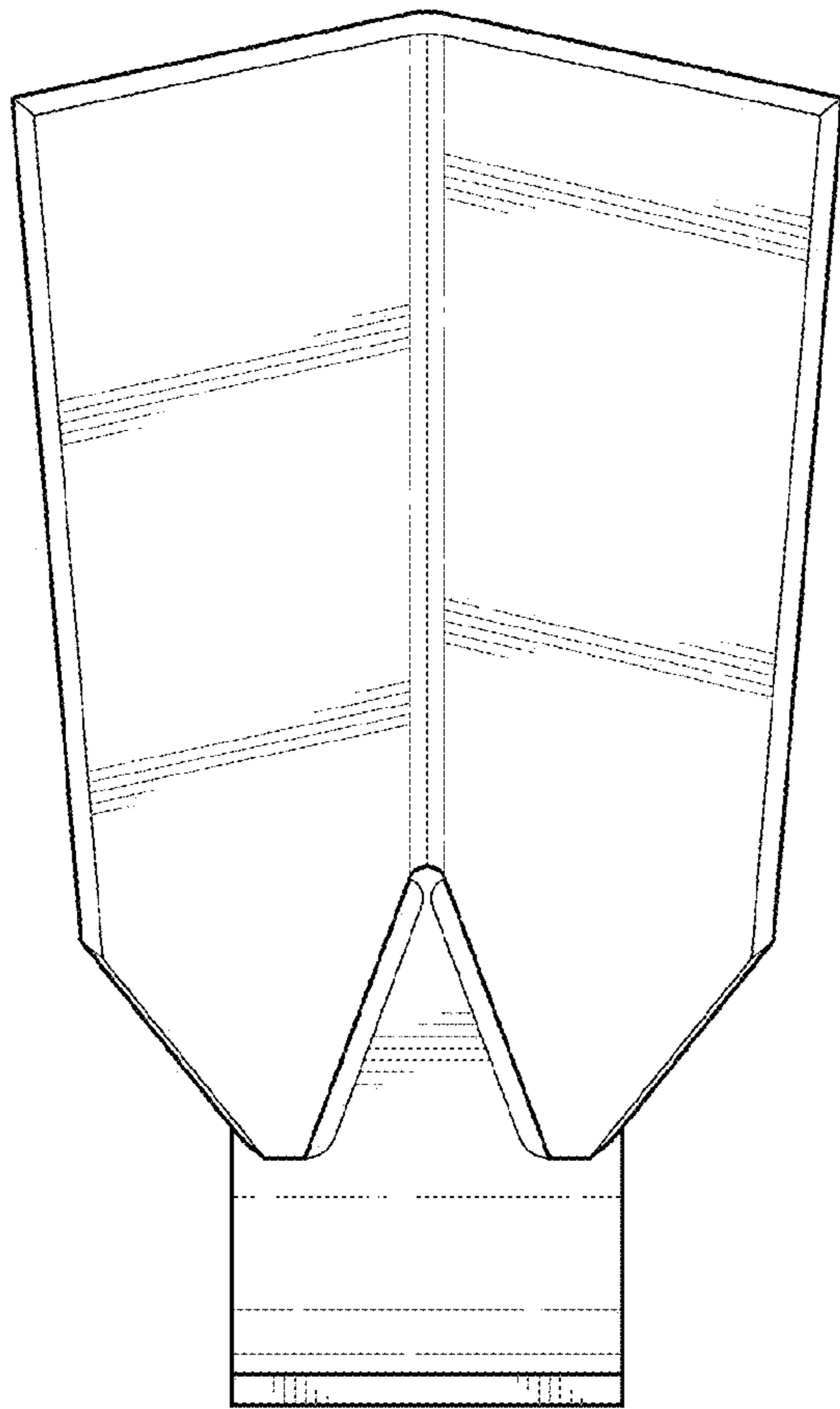


FIG. 2

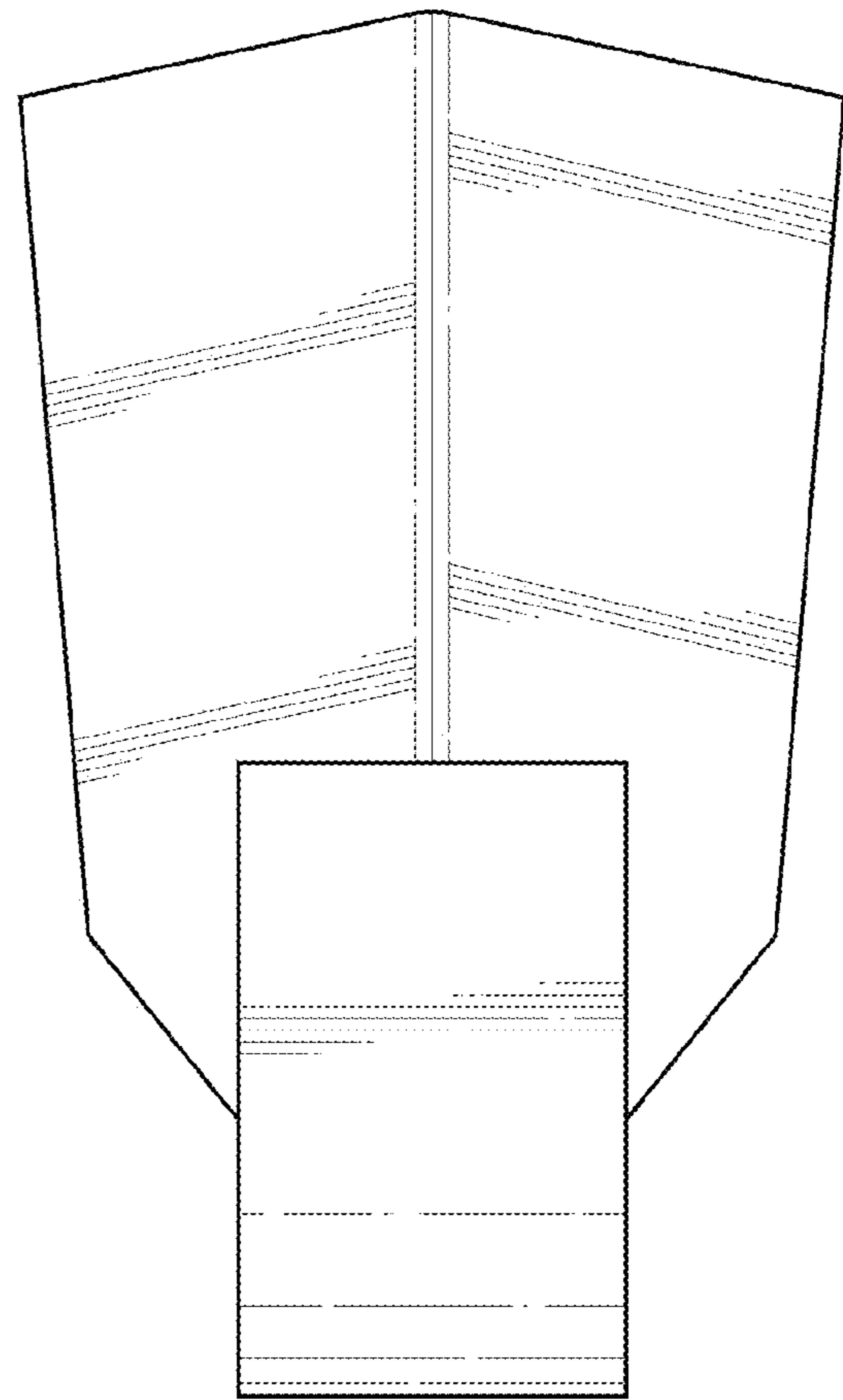


FIG. 3

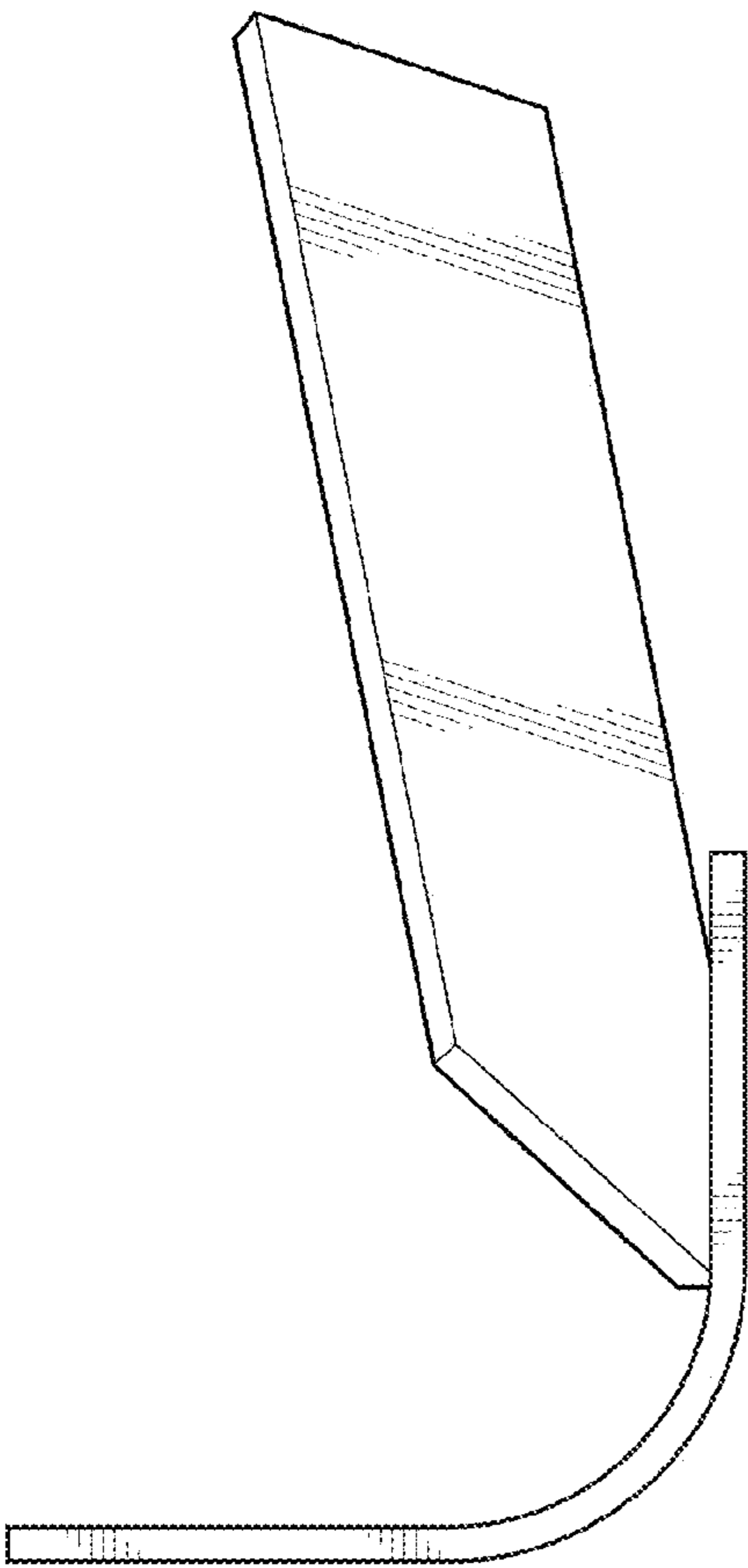


FIG. 4

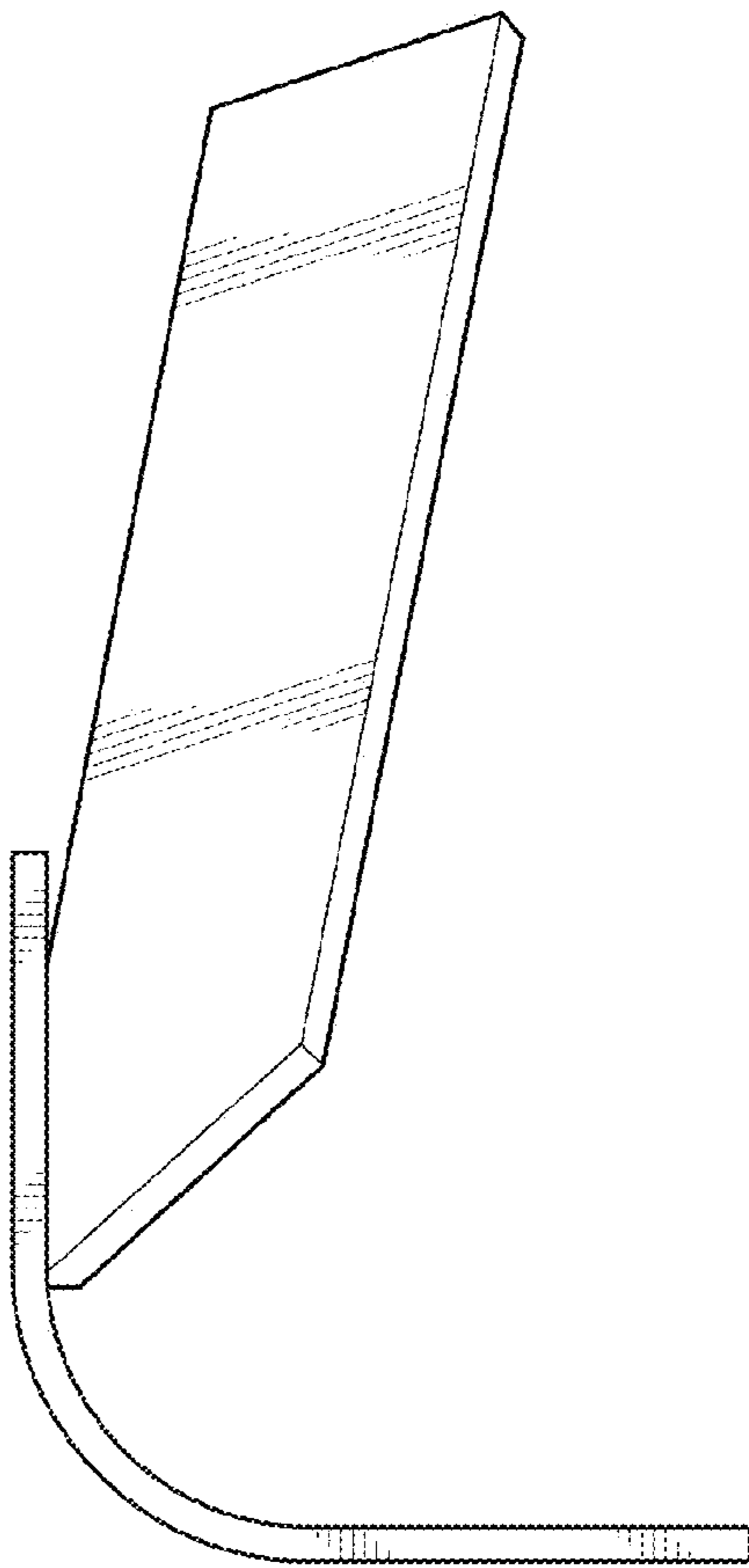
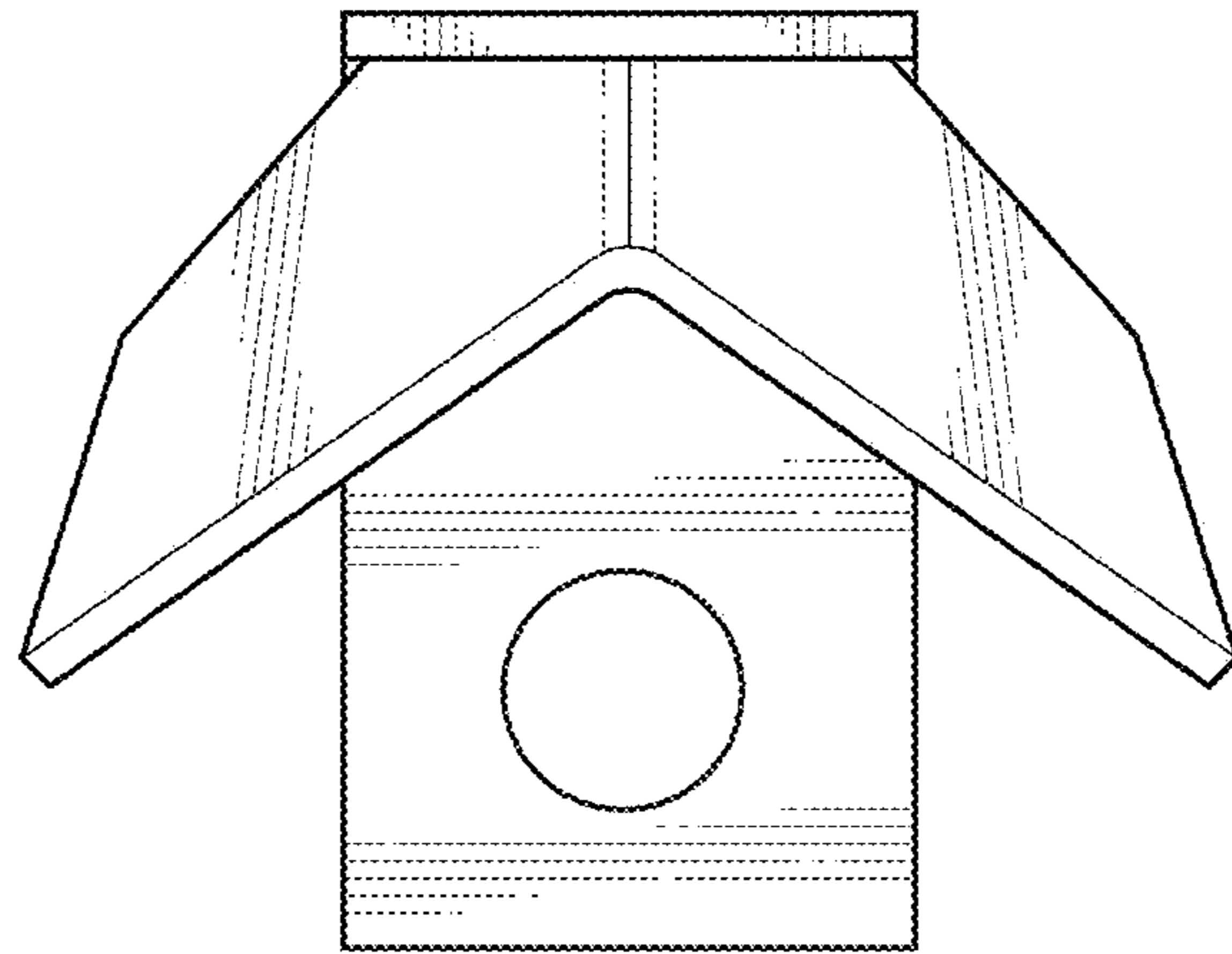
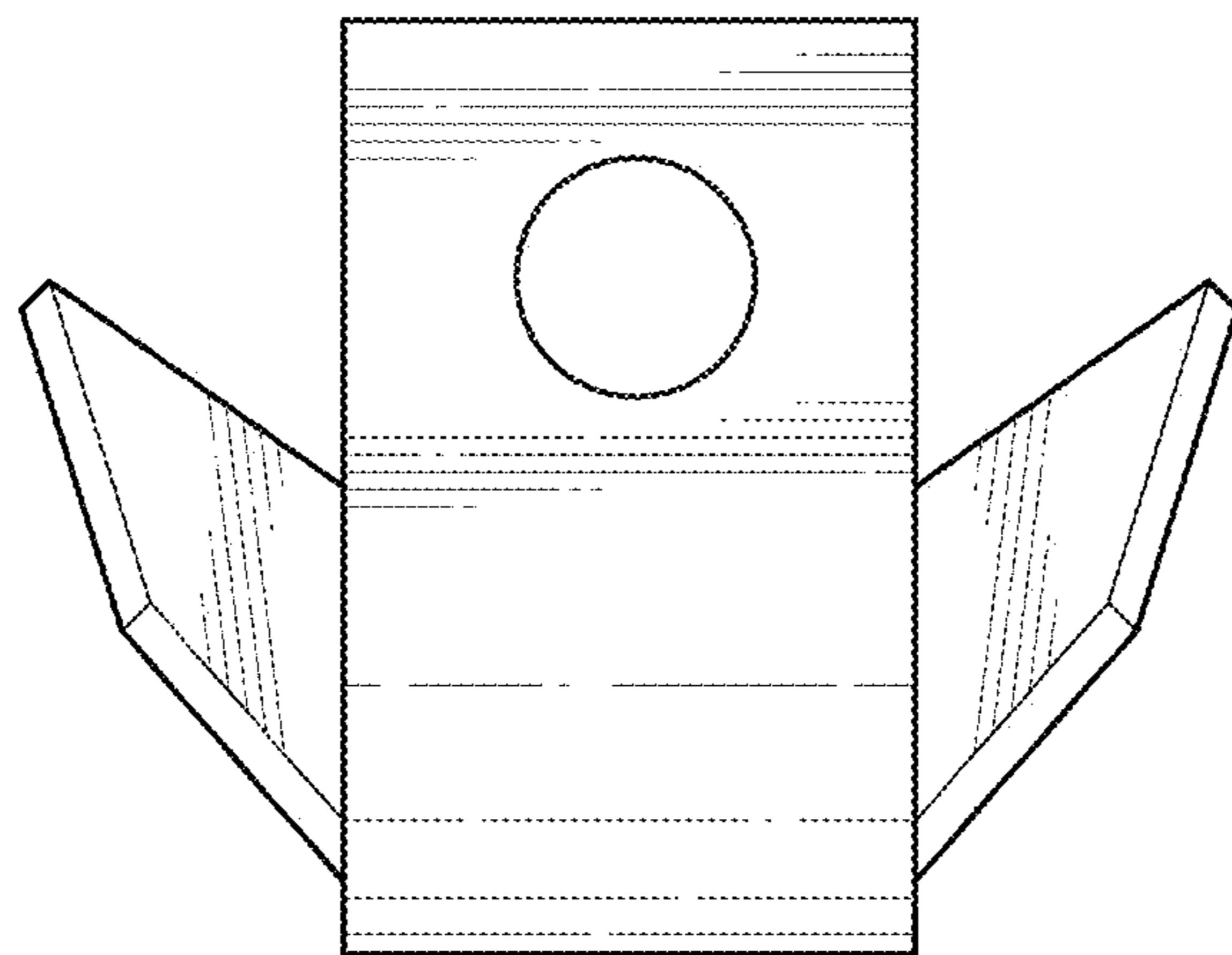


FIG. 5



**FIG. 6**



**FIG. 7**