



US00D887907S

(12) **United States Design Patent**
Desmarais

(10) **Patent No.:** **US D887,907 S**
(45) **Date of Patent:** **** Jun. 23, 2020**

- (54) **BATHTUB LIFT**
- (71) Applicant: **Alain Desmarais**, Laval (CA)
- (72) Inventor: **Alain Desmarais**, Laval (CA)
- (**) Term: **15 Years**
- (21) Appl. No.: **29/651,592**
- (22) Filed: **Oct. 5, 2018**
- (51) **LOC (12) Cl.** **12-12**
- (52) **U.S. Cl.**
USPC **D12/128**
- (58) **Field of Classification Search**
USPC D12/128-133
CPC . A61G 1/04; A61G 1/00; A61G 1/044; A61G 1/048; A61G 1/0212; A61G 1/003; A61G 1/0237; A61G 1/0231; A61G 1/0262; A61G 1/052; A61G 1/0562; A61G 1/0567; A61G 7/0504; A61G 7/103; A61G 7/1046; A61G 13/105
See application file for complete search history.

- D489,859 S * 5/2004 Yamada D34/28
- 7,156,208 B2 * 1/2007 Rickaby B66B 9/0838
104/288
- 7,310,833 B2 * 12/2007 Maguire A61G 7/1005
4/496
- D565,474 S * 4/2008 Webster D12/128
- D565,475 S * 4/2008 Webster D12/128
- D647,683 S * 10/2011 Woodhams D34/35
- D648,093 S * 11/2011 Woodhams D34/35
- D679,884 S * 4/2013 Heijns D34/28

* cited by examiner

Primary Examiner — Charles D Hanson

(56) **References Cited**

U.S. PATENT DOCUMENTS

- 5,263,207 A * 11/1993 Gilbert A47K 3/12
4/562.1
- 5,279,004 A * 1/1994 Walker A61G 7/1003
297/DIG. 10
- 5,465,433 A * 11/1995 Nolan A61G 7/1005
4/496
- 5,715,545 A * 2/1998 Forwick A61G 7/1003
4/563.1
- 6,378,659 B1 * 4/2002 Krumbeck A61G 7/1005
187/200

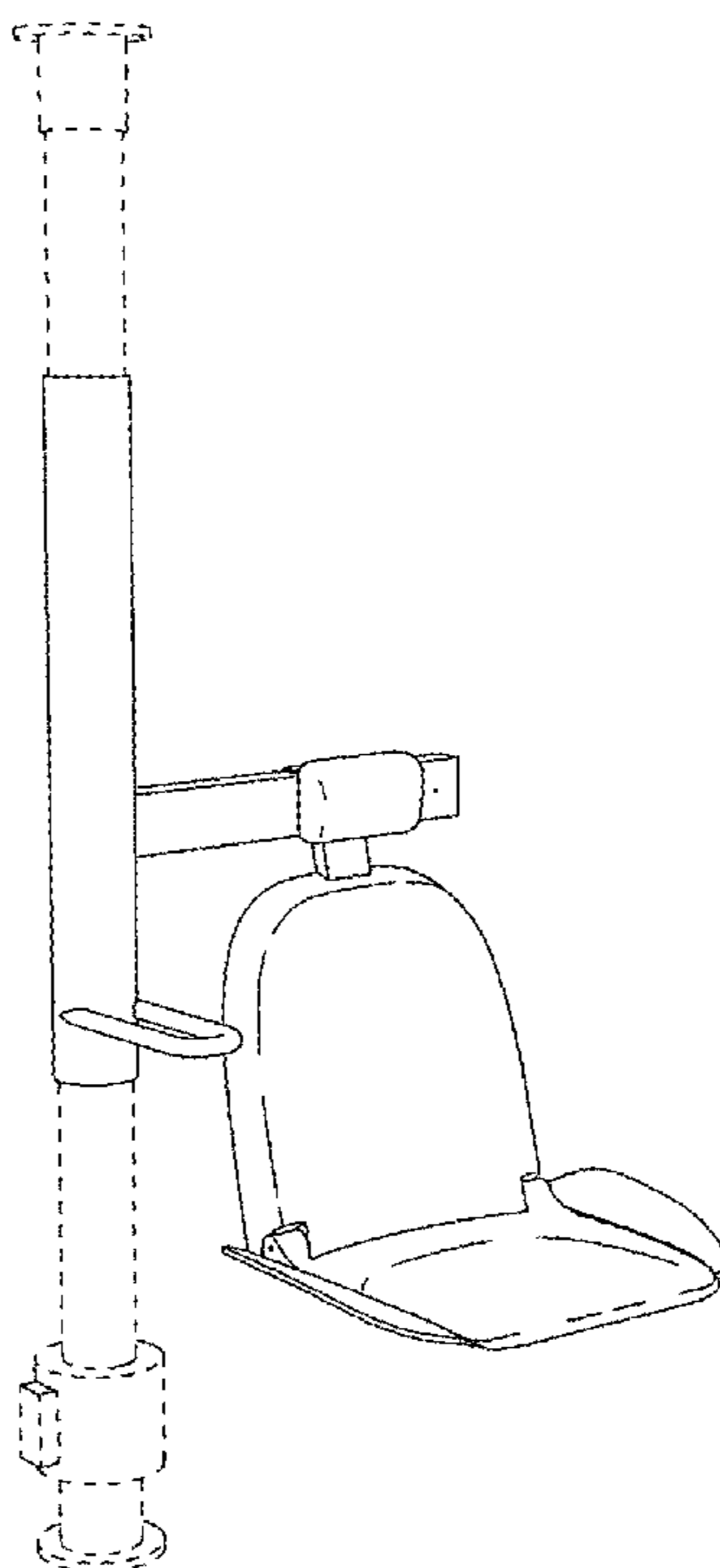
(57) **CLAIM**

The ornamental design for a bathtub lift, as shown and described.

DESCRIPTION

FIG. 1 is a front perspective view of a bathtub lift in accordance with the design;
 FIG. 2 is a front perspective view thereof taken from a different angle of the one in FIG. 1;
 FIG. 3 is a side elevational view thereof;
 FIG. 4 is a side elevational view thereof, taken opposite the one in FIG. 3;
 FIG. 5 is a front elevational view thereof;
 FIG. 6 is rear elevational view thereof; and,
 FIG. 7 is a top plan view thereof.
 The broken lines are shown for the purpose of illustrating parts of the article that form no part of the claim.

1 Claim, 3 Drawing Sheets



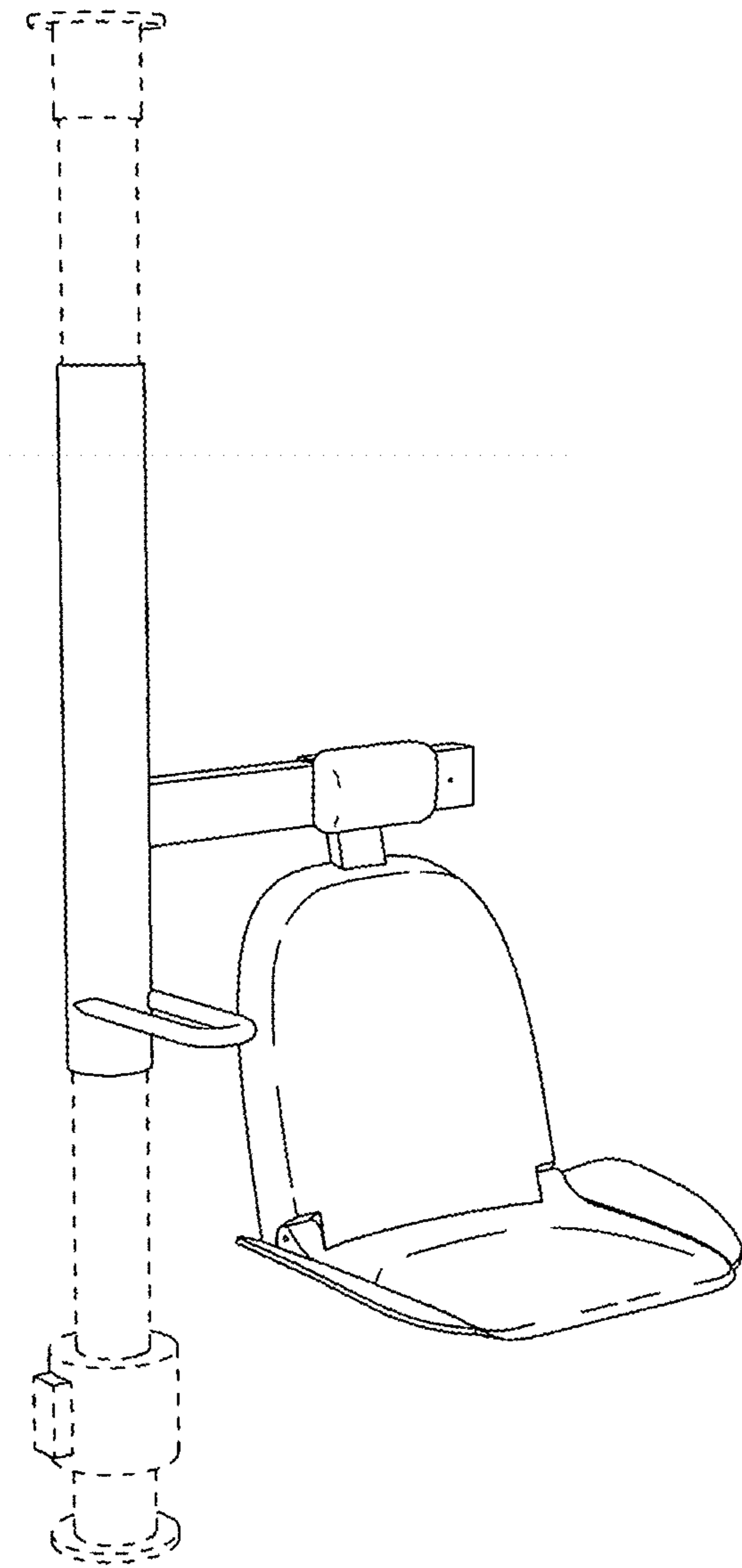


FIG. 1

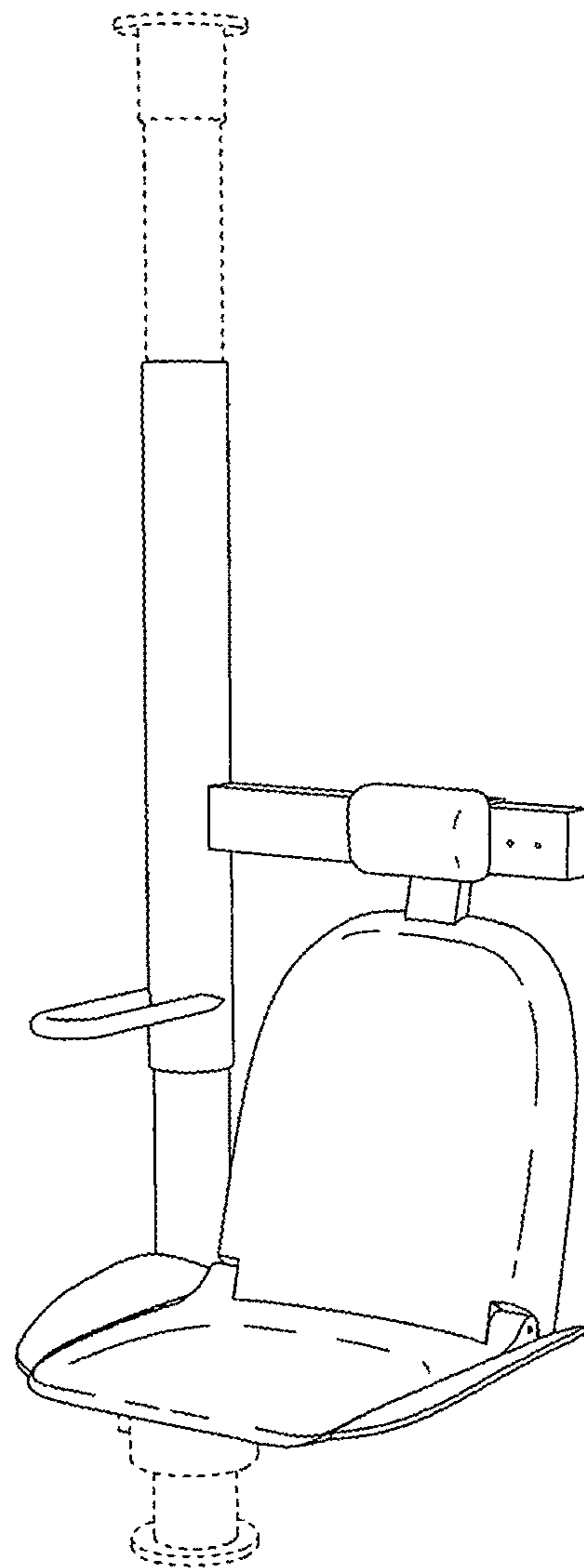


FIG. 2

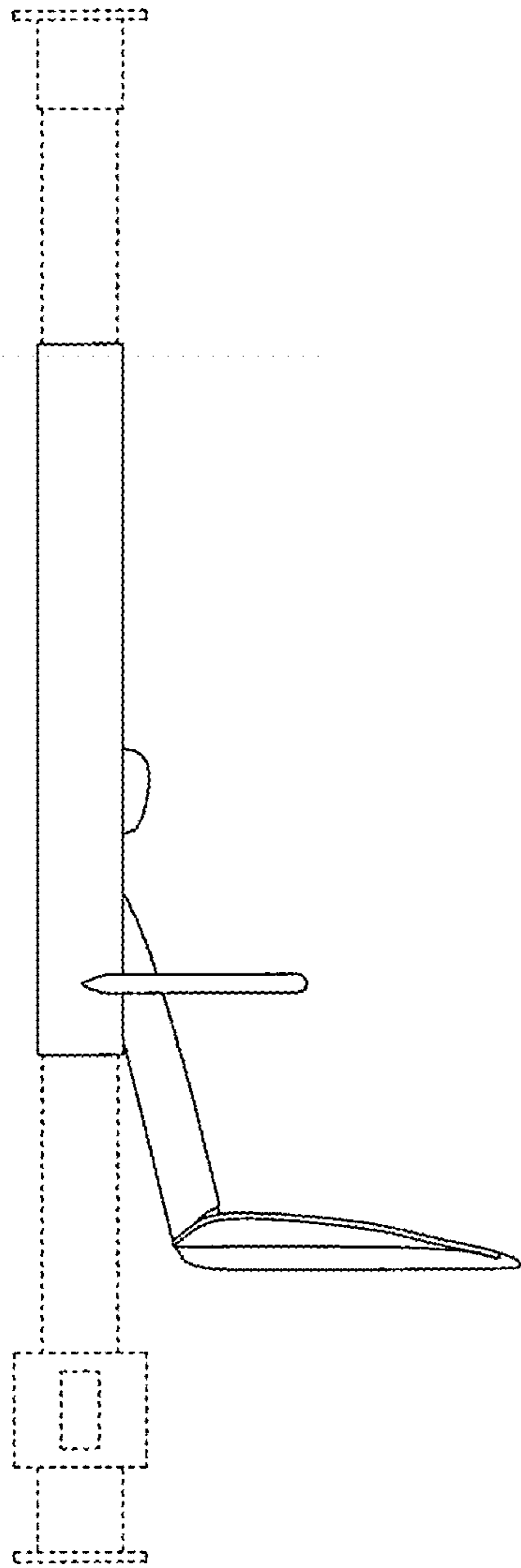


FIG. 3

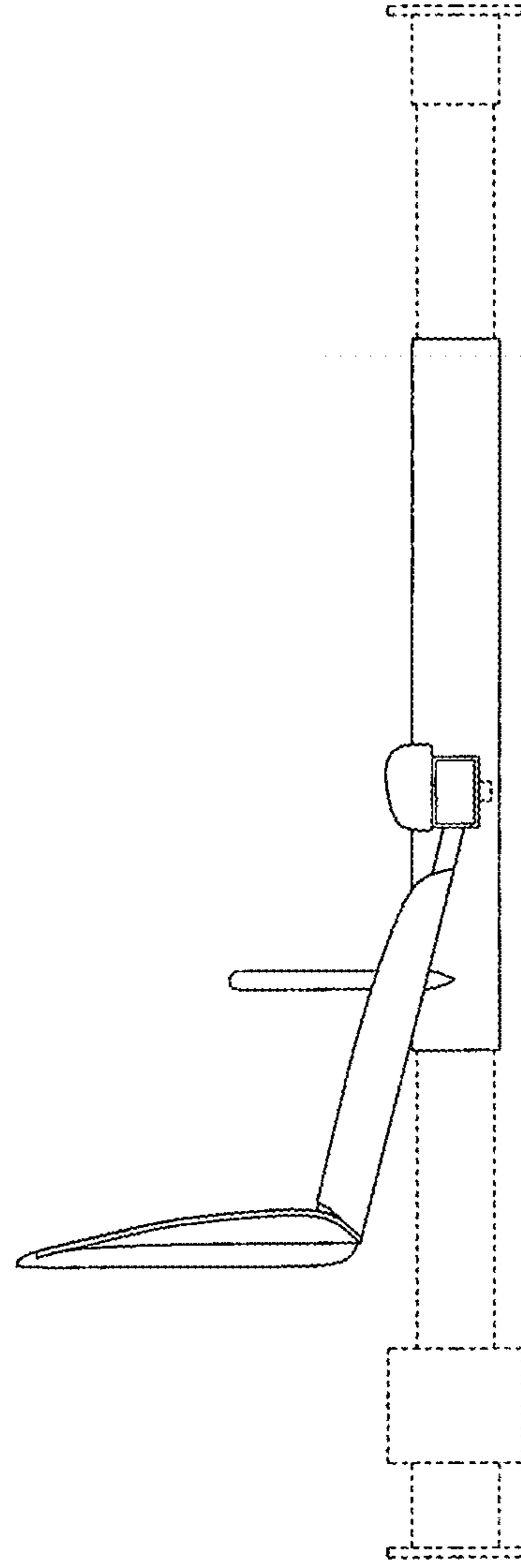


FIG. 4

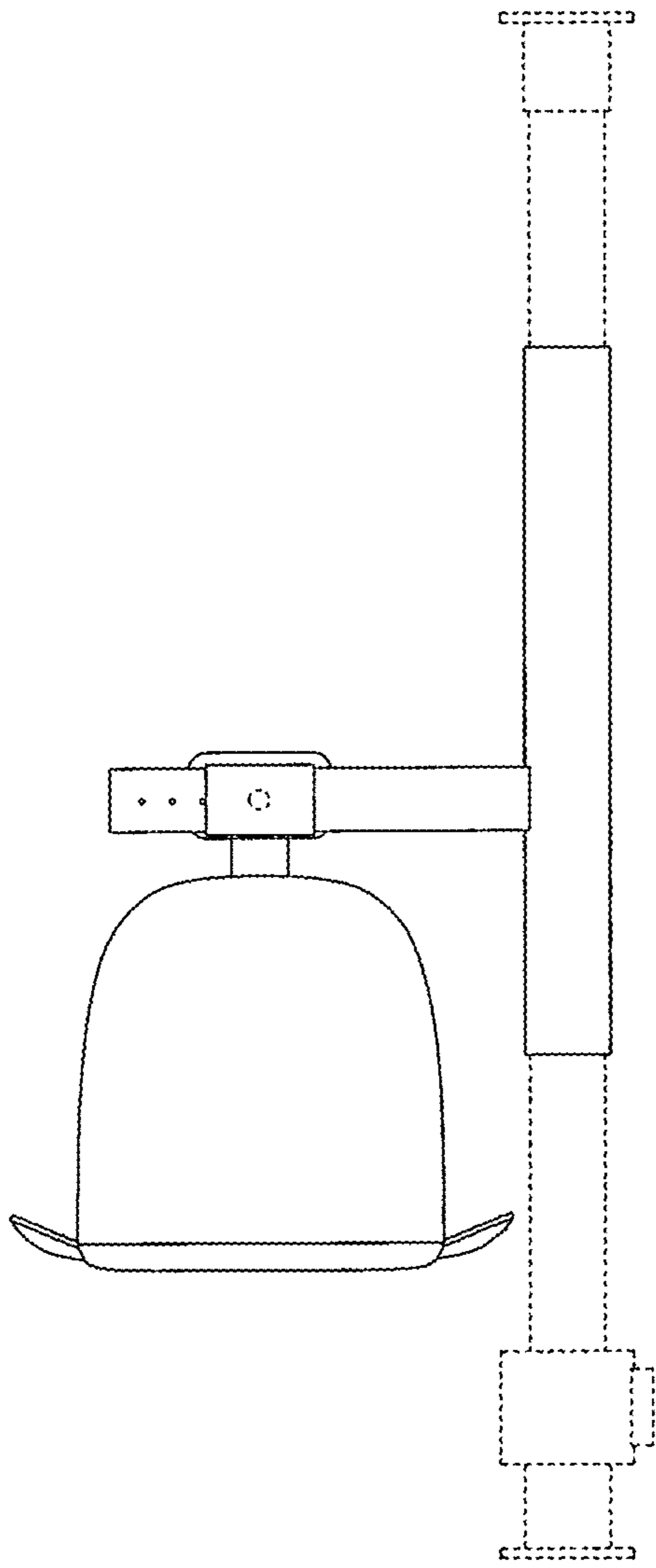


FIG. 5

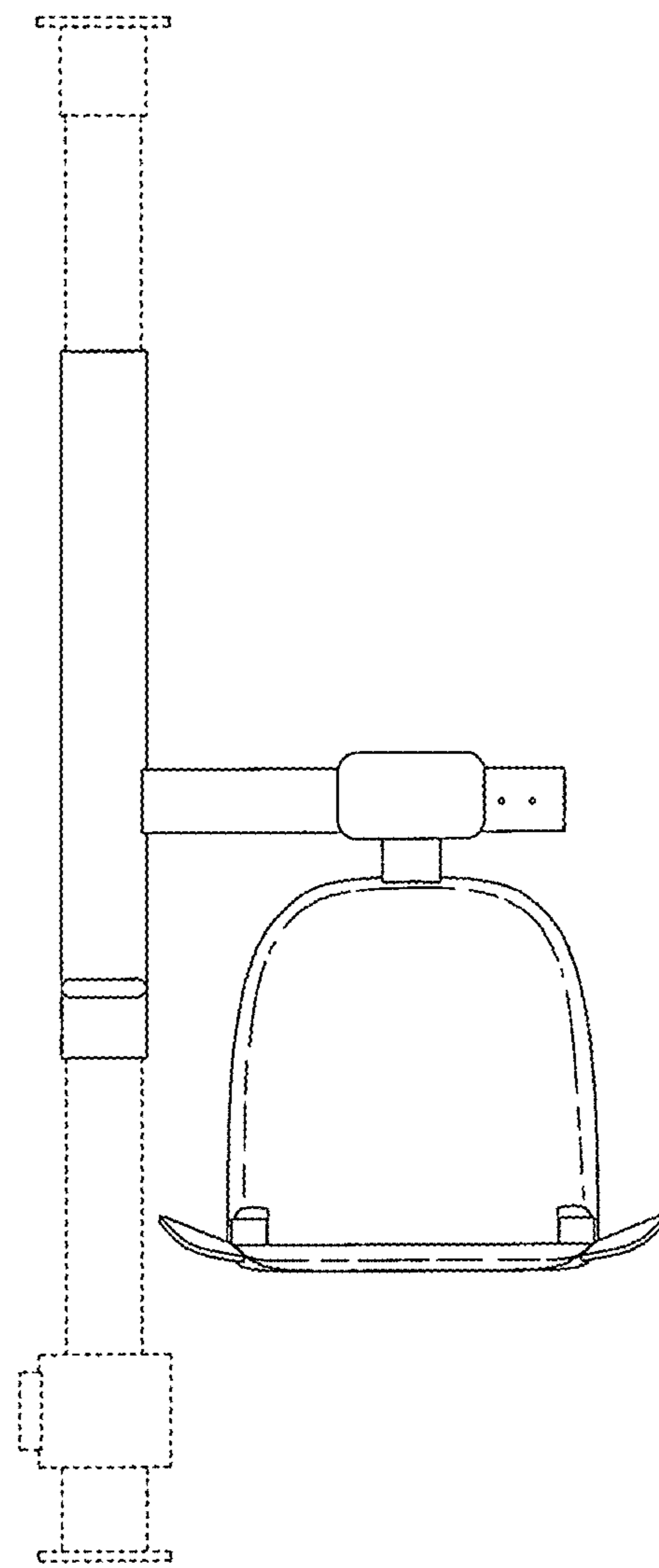


FIG. 6

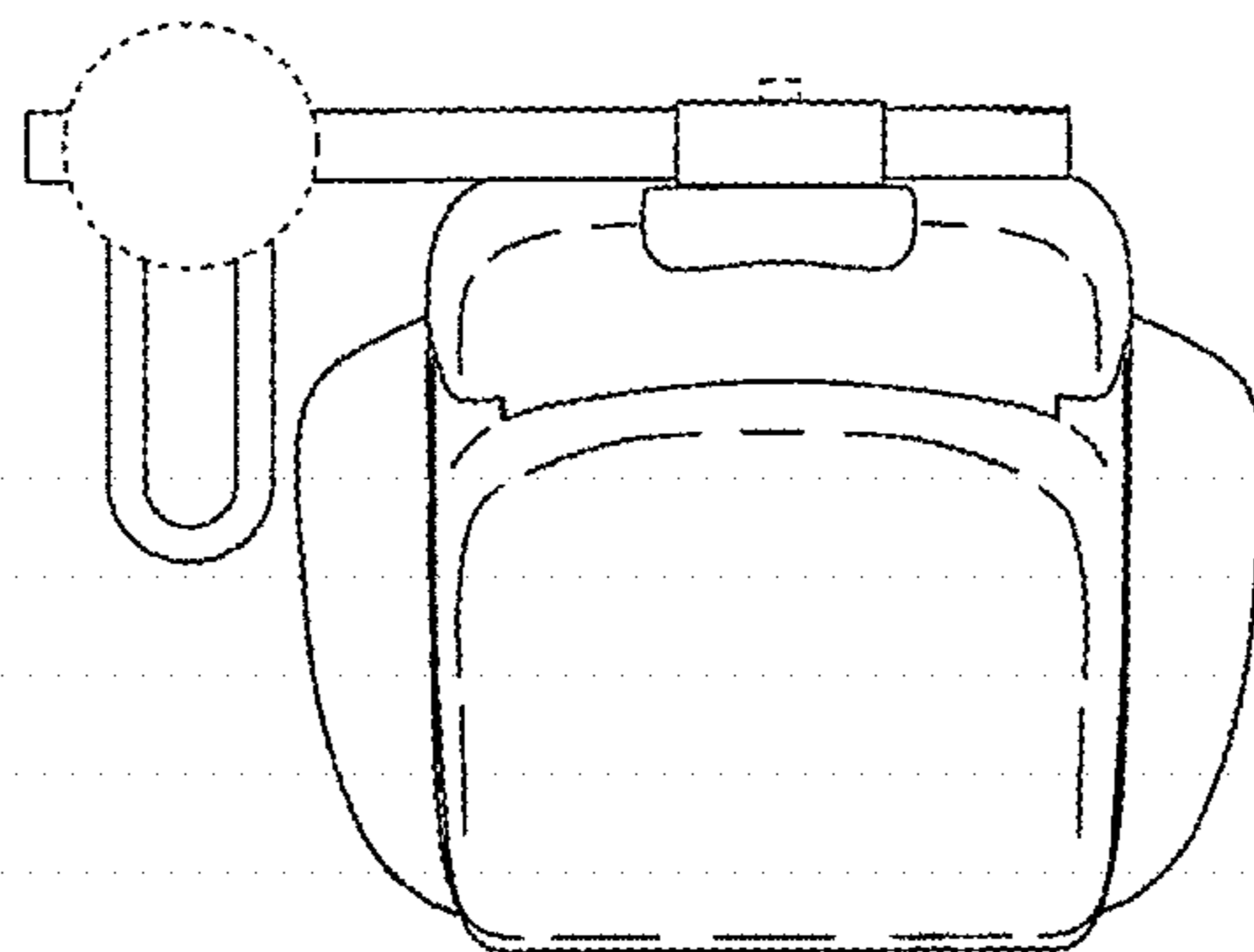


FIG. 7