



US00D887904S

(12) **United States Design Patent**
Li et al.

(10) **Patent No.:** **US D887,904 S**
(45) **Date of Patent:** **** Jun. 23, 2020**

- (54) **CHILDREN’S BICYCLE**
- (71) Applicant: **Beijing Xiaomi Mobile Software Co., Ltd., Beijing (CN)**
- (72) Inventors: **Ningning Li, Beijing (CN); Tuo Zhou, Beijing (CN); Lei Zhang, Beijing (CN)**
- (73) Assignee: **Beijing Xiaomi Mobile Software Co., Ltd., Beijing (CN)**
- (**) Term: **15 Years**
- (21) Appl. No.: **35/506,801**
- (22) Filed: **Dec. 6, 2018**

D410,416 S *	6/1999	Huang	D12/111
5,909,896 A *	6/1999	Accerenzi	B62J 17/00
				280/288.4
6,086,081 A *	7/2000	Huang	B62K 9/00
				280/288.4
D430,823 S *	9/2000	Nakai	D12/111
D449,020 S *	10/2001	Yang	D12/111
D450,014 S *	11/2001	Chiappetta	D12/111
D450,015 S *	11/2001	Lai	D12/111
D450,630 S *	11/2001	Chiappetta	D12/111
D460,025 S *	7/2002	Yu	D12/111
D500,713 S *	1/2005	Gunter	D12/111
D558,647 S *	1/2008	Seckel	D12/111
D614,538 S *	4/2010	Rochon	D12/111
D696,983 S *	1/2014	Bisges	D12/111
D791,022 S *	7/2017	Lam	D12/111
D829,610 S *	10/2018	Liu	D12/111
D846,449 S *	4/2019	Song	D12/111
2016/0001843 A1 *	1/2016	Evans	B62K 9/00
				280/7.17

(80) **Hague Agreement Data**

Int. Filing Date: **Dec. 6, 2018**
 Int. Reg. No.: **DM/200308**
 Int. Reg. Date: **Dec. 6, 2018**
 Int. Reg. Pub. Date: **Jun. 7, 2019**

* cited by examiner

Primary Examiner — Darlington Ly
 (74) *Attorney, Agent, or Firm* — Syncoda LLC; Feng Ma

- (51) **LOC (12) Cl.** **12-11**
- (52) **U.S. Cl.**
USPC **D12/111**
- (58) **Field of Classification Search**
USPC D12/111, 117, 406, 407
CPC . B62K 3/00; B62K 3/005; B62K 9/00; B62K
19/00; B62K 19/02; B62K 19/04; B62K
19/06; B62K 19/16
See application file for complete search history.

(57) **CLAIM**

The ornamental design for a children’s bicycle, as shown and described.

DESCRIPTION

- 1. Children’s bicycle
- 1.1 is a front elevation view of a children’s bicycle showing our new design;
- 1.2 is a rear elevation view thereof;
- 1.3 is a right side elevation view thereof;
- 1.4 is a left side elevation view thereof;
- 1.5 is a top plan view thereof;
- 1.6 is a bottom plan view thereof; and
- 1.7 is a top, rear, and right side perspective view thereof.

(56) **References Cited**

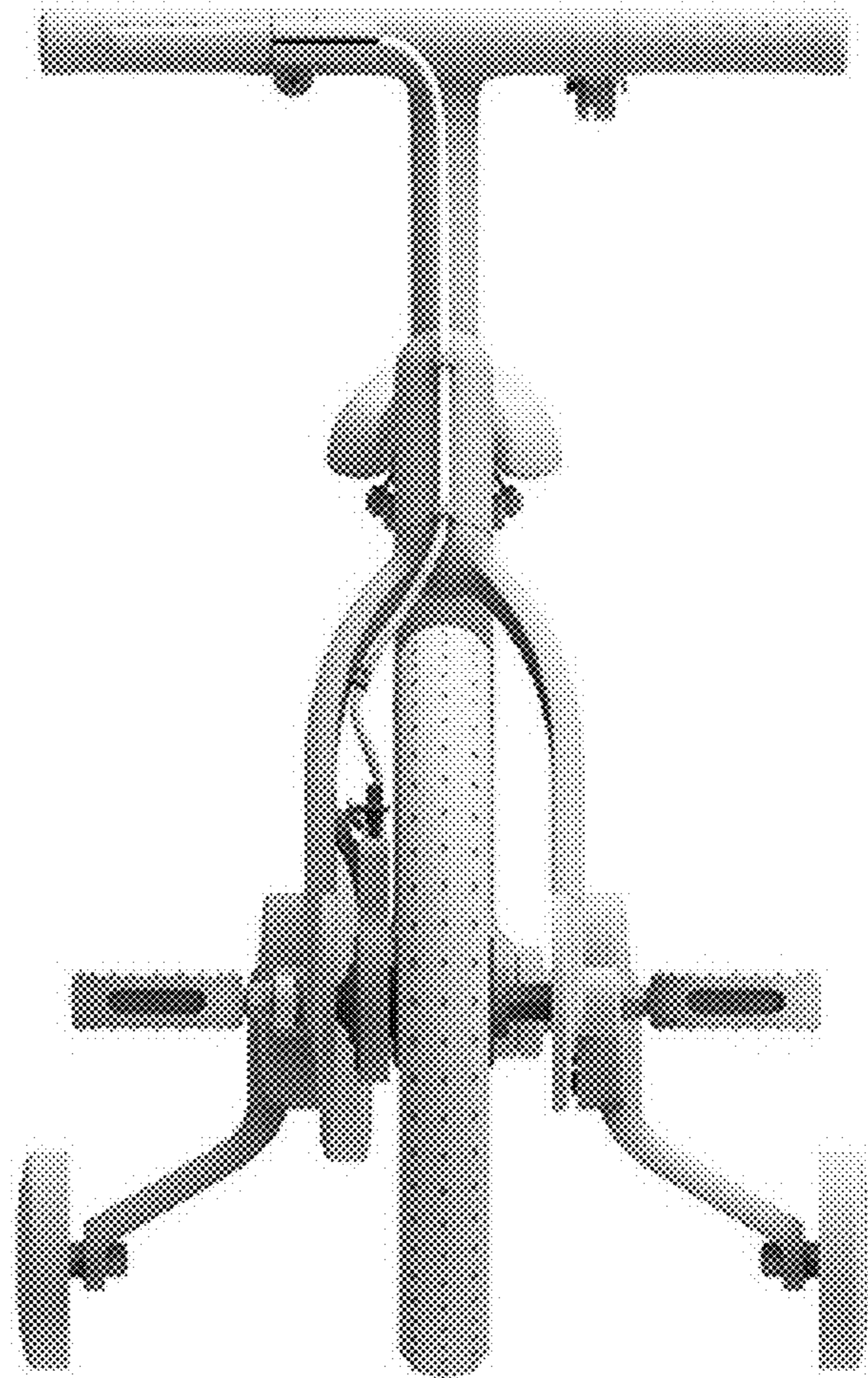
U.S. PATENT DOCUMENTS

4,730,840 A *	3/1988	Goldmeier	B62H 1/12
				280/210
D369,331 S *	4/1996	Niemeyer	D12/112
D400,826 S *	11/1998	Accerenzi	D12/111

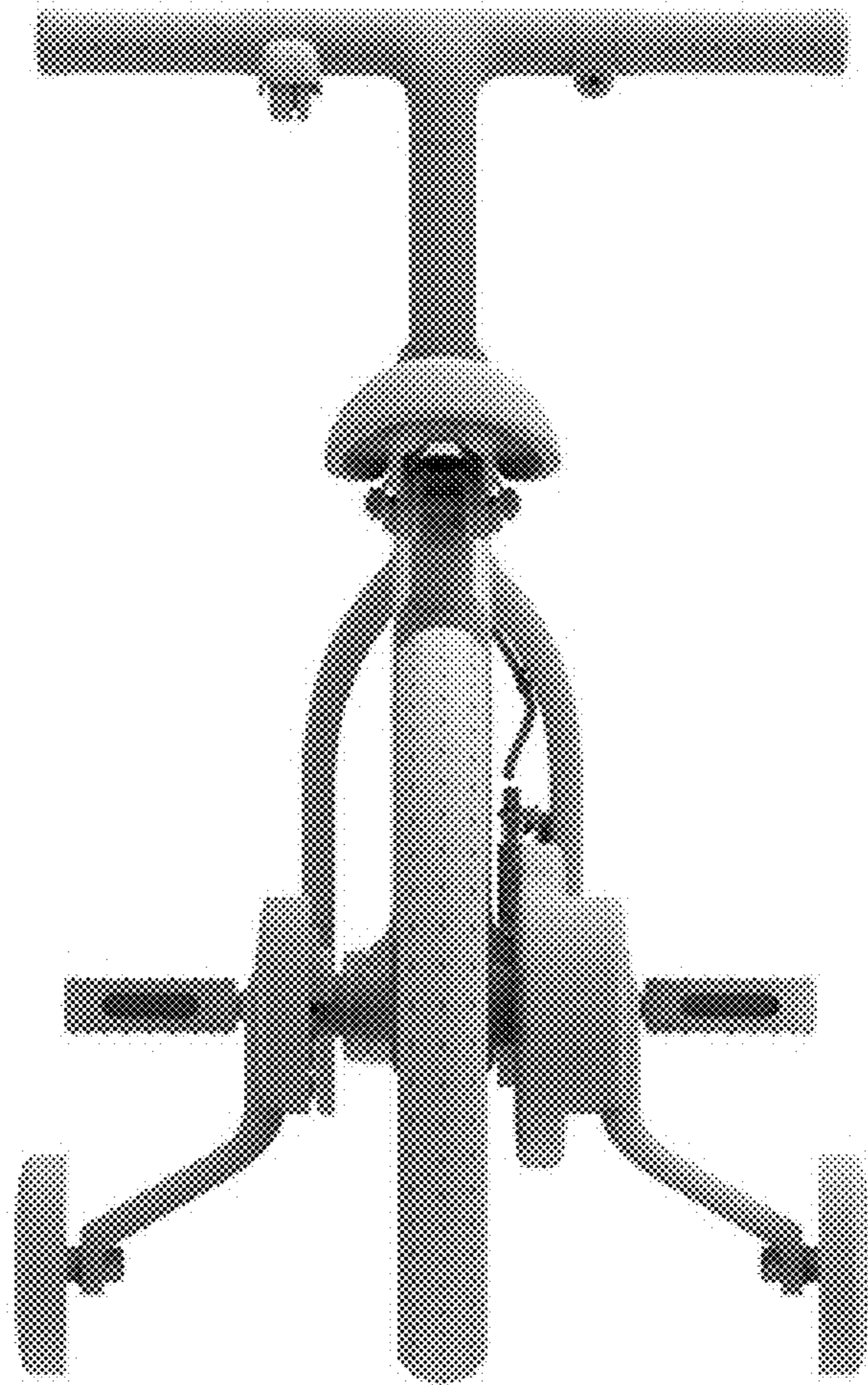
1 Claim, 7 Drawing Sheets



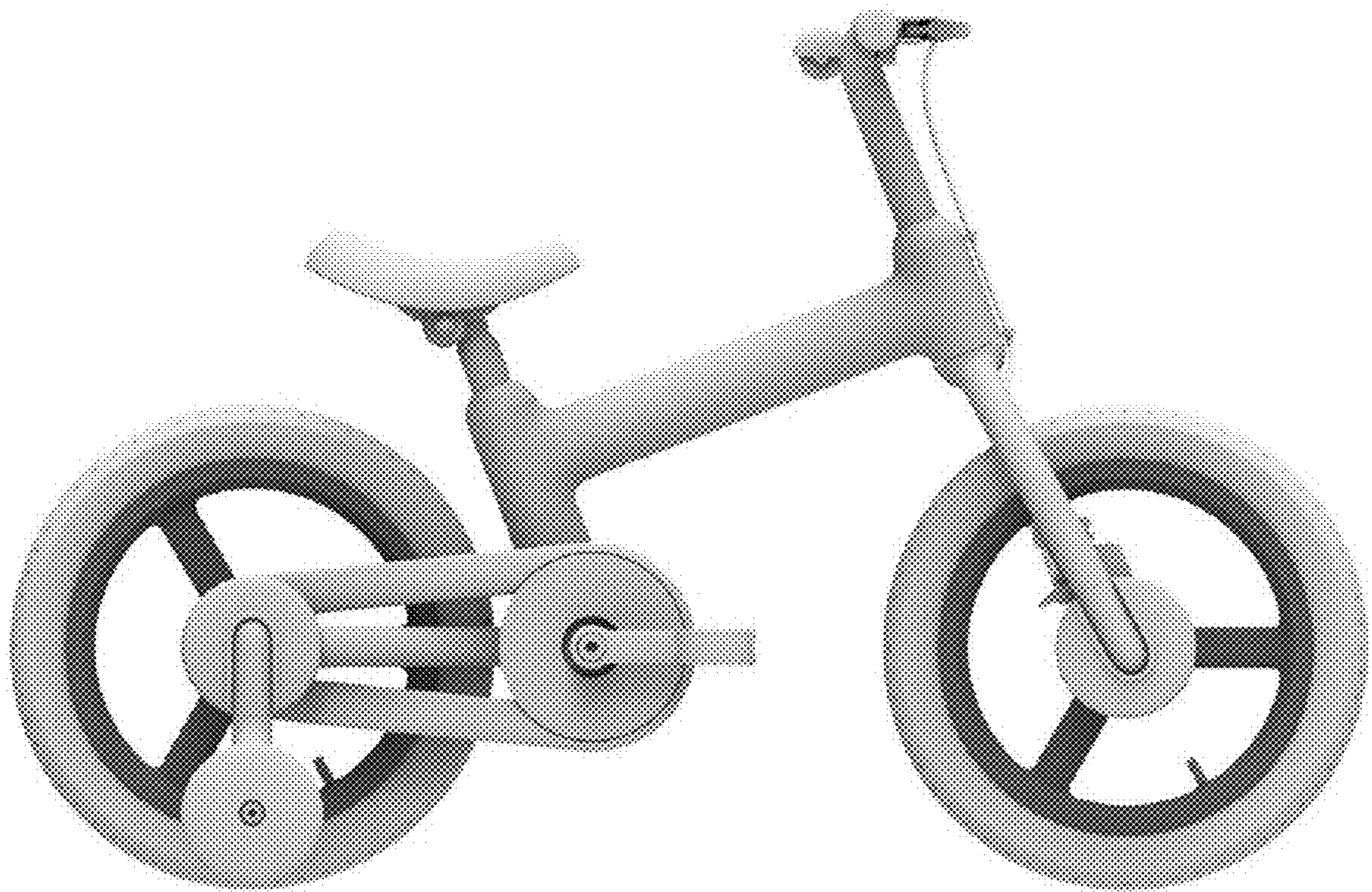
1.1



1.2



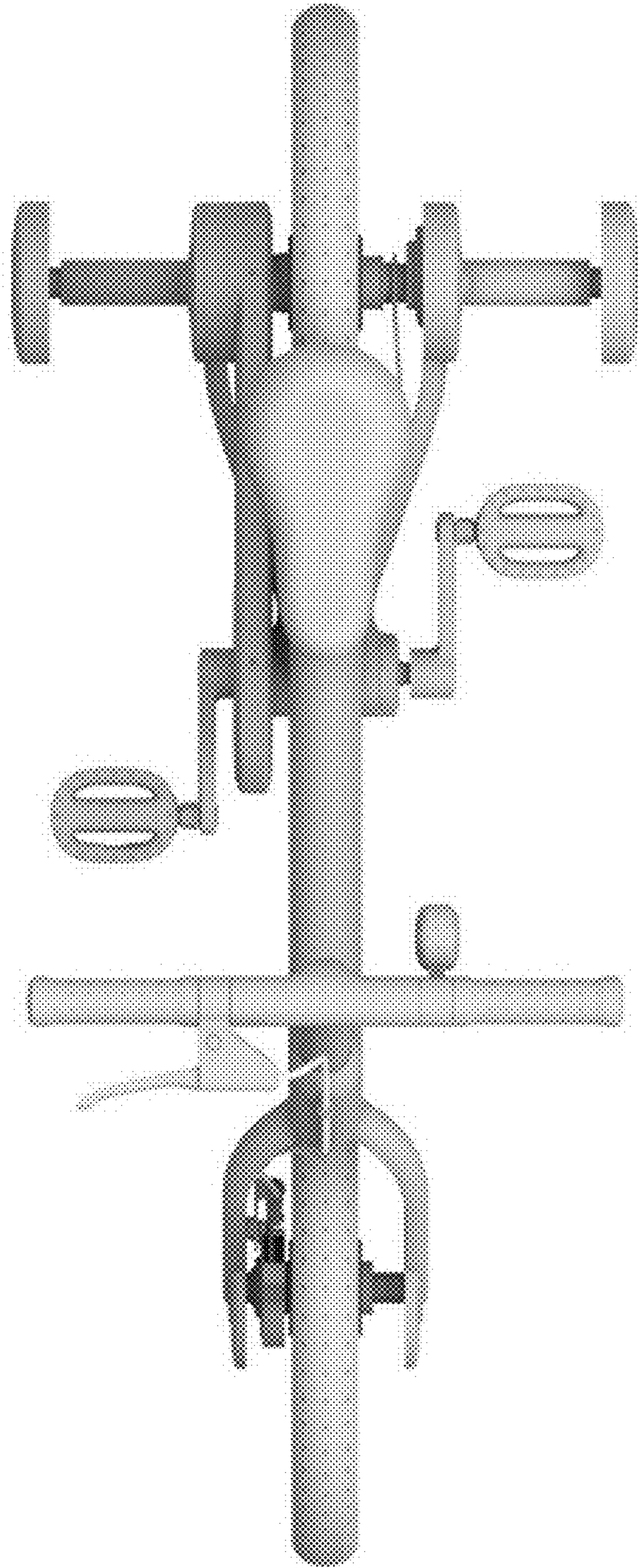
1.3



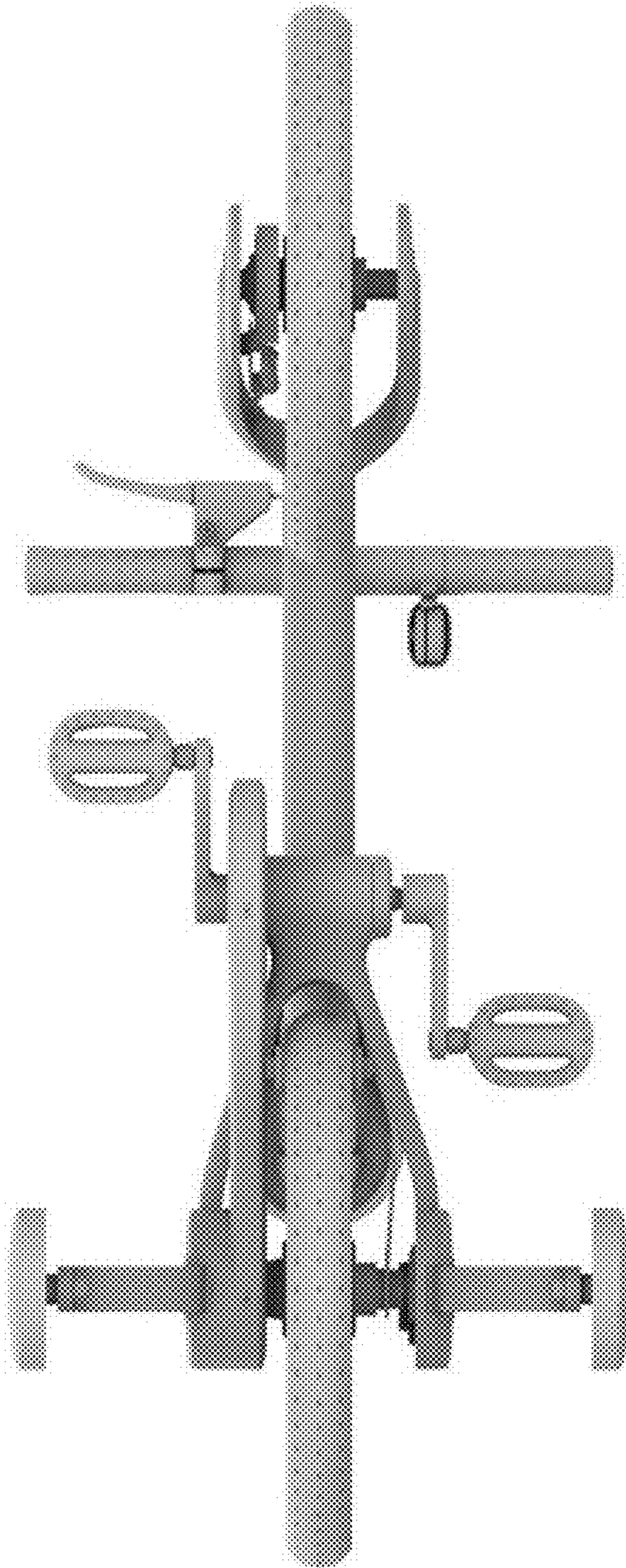
1.4



1.5



1.6



1.7

