



US00D887903S

(12) **United States Design Patent**
Sondors et al.

(10) **Patent No.: US D887,903 S**
(45) **Date of Patent: ** Jun. 23, 2020**

(54) **FOLDING BIKE FRAME**

OTHER PUBLICATIONS

(71) Applicants: **Storm Sondors**, Malibu, CA (US);
Aaron Misener, Lakewood, OH (US)

Amazon, FabricBike Folding Bicycle, posted Apr. 10, 2018, [online], [visited Mar. 11, 2020]. Internet, <URL: https://www.amazon.co.uk/FabricBike-Folding-Bicycle-Single-Colours/dp/B07C44XNBR/> (Year: 2018).*
Youtube, Storm Sondors—2018 Midyear Thank You & Message, posted Jun. 29, 2018, [online], [visited Mar. 11, 2020]. Internet, <URL: https://www.youtube.com/watch?v=eQeeoCLzwhw> (Year: 2018).*

(72) Inventors: **Storm Sondors**, Malibu, CA (US);
Aaron Misener, Lakewood, OH (US)

(**) Term: **15 Years**

* cited by examiner

(21) Appl. No.: **29/659,948**

(22) Filed: **Aug. 14, 2018**

Primary Examiner — Sheryl Lane

(51) **LOC (12) Cl.** **12-11**

Assistant Examiner — Samantha N Wood

(52) **U.S. Cl.**

(74) *Attorney, Agent, or Firm* — Lewis Kohn & Walker LLP; Kent M. Walker; Kari Moyer-Henry

USPC **D12/111**

(58) **Field of Classification Search**

USPC D12/111, 107, 114, 117, 126, 127, 159;
D21/419, 424, 427, 432, 663, 664, 666,
D21/697

(57) **CLAIM**

CPC . B62K 3/00; B62K 3/005; B62K 3/02; B62K 3/04; B62K 11/00; B62K 11/02; B62K 11/10; B62K 11/14; B62K 21/12; B62K 21/16; B62K 21/26; B62K 21/02; B62K 21/04; B62K 21/06; B62K 9/02; B62K 15/006; B62K 2201/04; B62K 19/02; B62K 19/08; B62K 19/16; B62K 25/04; B62K 25/08; B62K 25/16; B62K 25/30
See application file for complete search history.

The ornamental design for a folding bike frame, as shown and described.

DESCRIPTION

(56) **References Cited**

U.S. PATENT DOCUMENTS

D204,860 S	*	5/1966	Tucker	D12/111
D632,615 S	*	2/2011	Uimonen	D12/111
D662,445 S	*	6/2012	Uimonen	D12/111
D666,536 S	*	9/2012	Uimonen	D12/111
D774,970 S	*	12/2016	D’Aluisio	D12/111

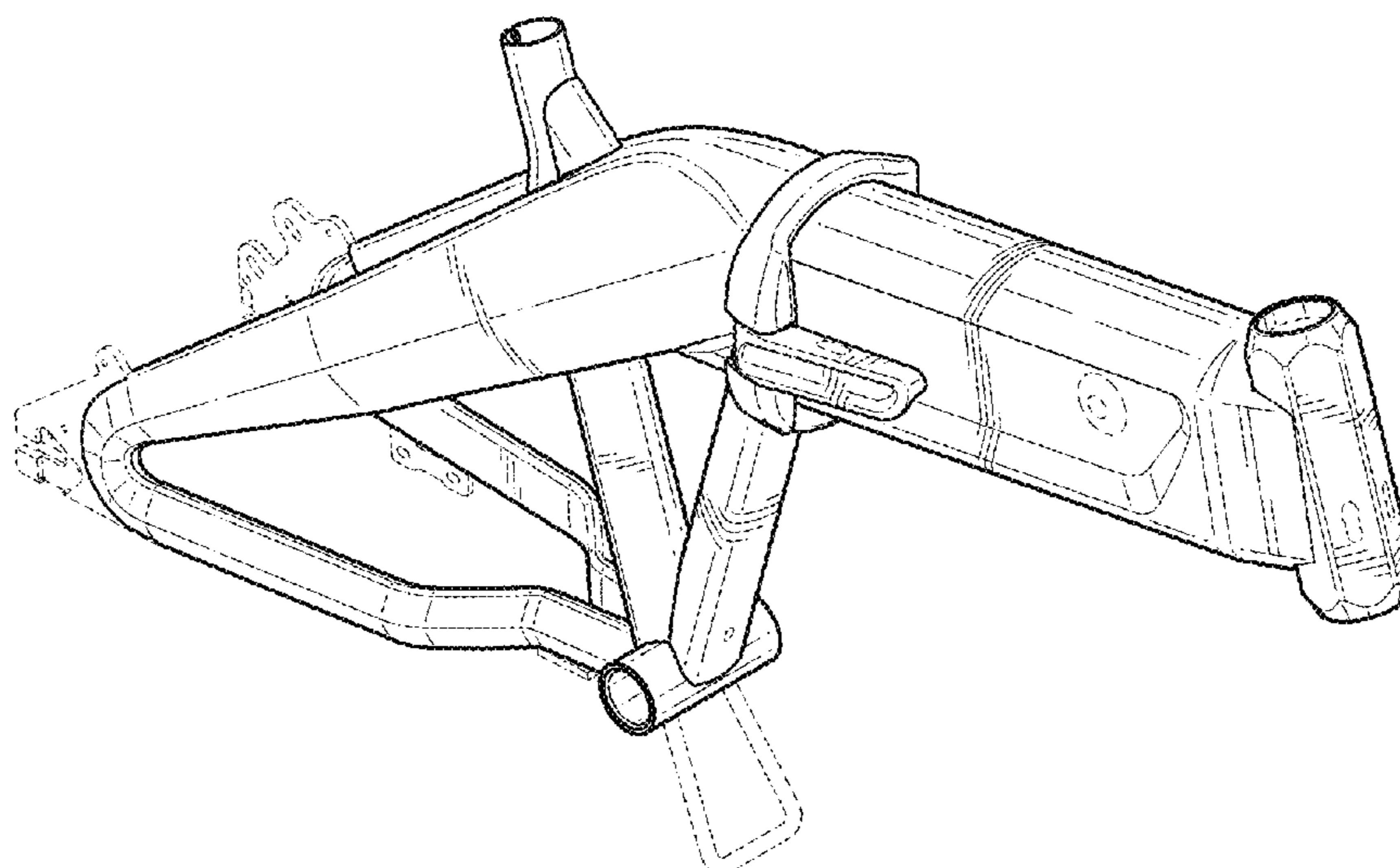
FIG. 1 is a perspective view of a folding bike frame, showing my new design;
FIG. 2 is a bottom perspective view thereof;
FIG. 3 is a right side view thereof;
FIG. 4 is a front view thereof;
FIG. 5 is a back side view thereof;
FIG. 6 is a left side view thereof;
FIG. 7 is a top view thereof;
FIG. 8 is a bottom view thereof; and,
FIG. 9 is a perspective view thereof shown in an alternative configuration.

FOREIGN PATENT DOCUMENTS

CN	201630506273	*	10/2016
CN	201730654012	*	12/2017
CN	201830003953	*	1/2018

The broken lines are included for the purpose of illustrating the environmental structure and form no part of the claimed design.

1 Claim, 6 Drawing Sheets



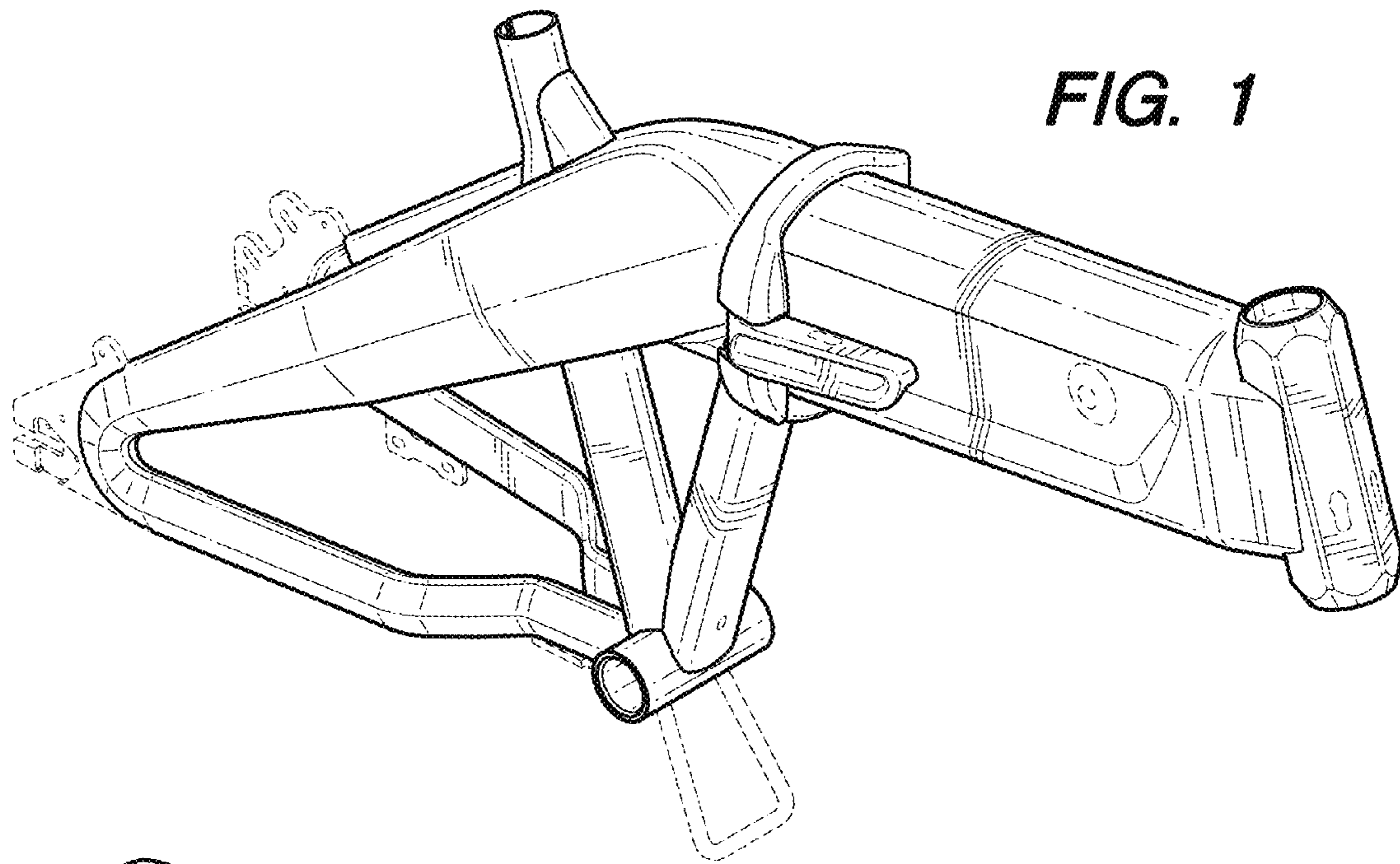


FIG. 1

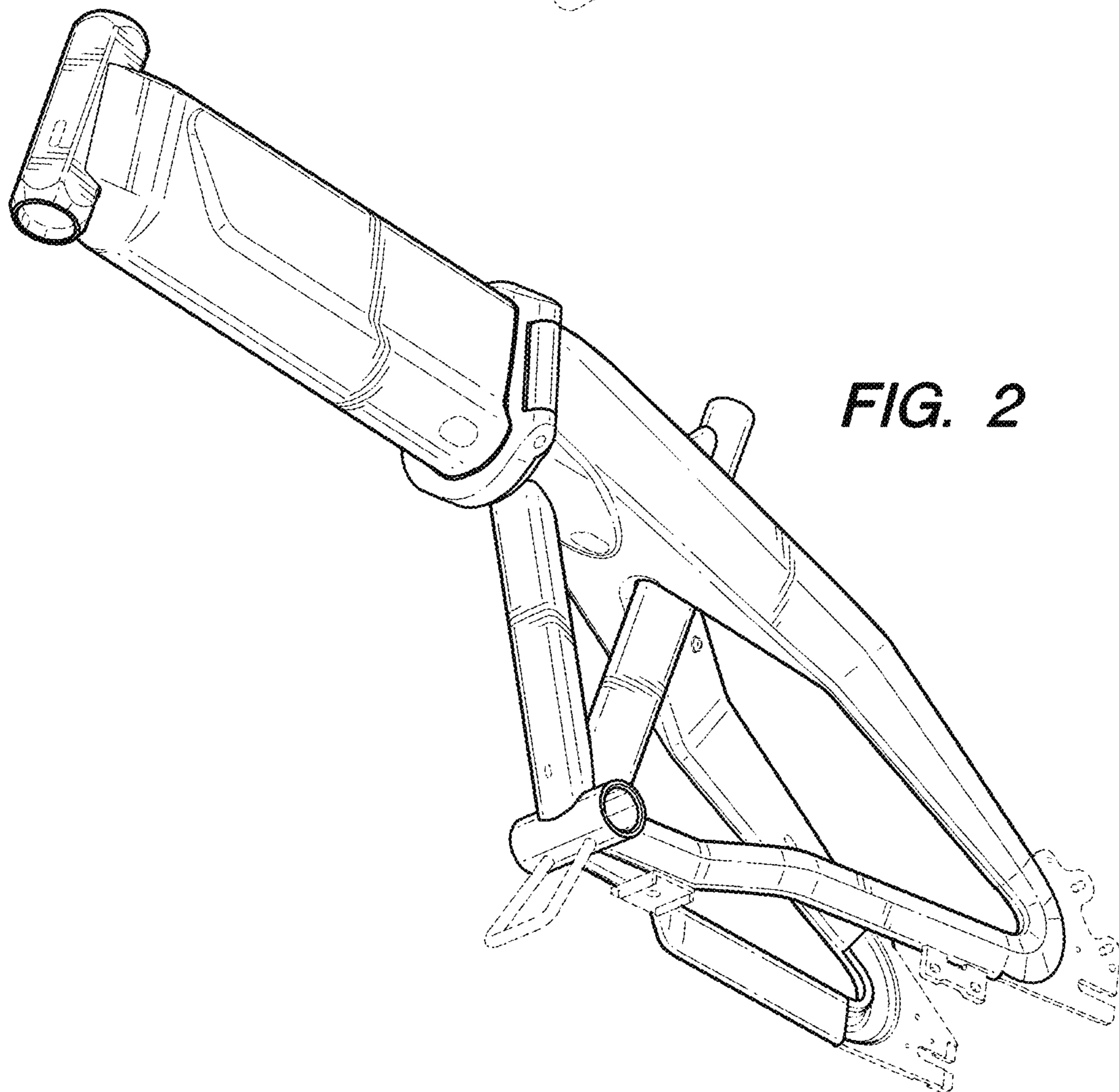


FIG. 2

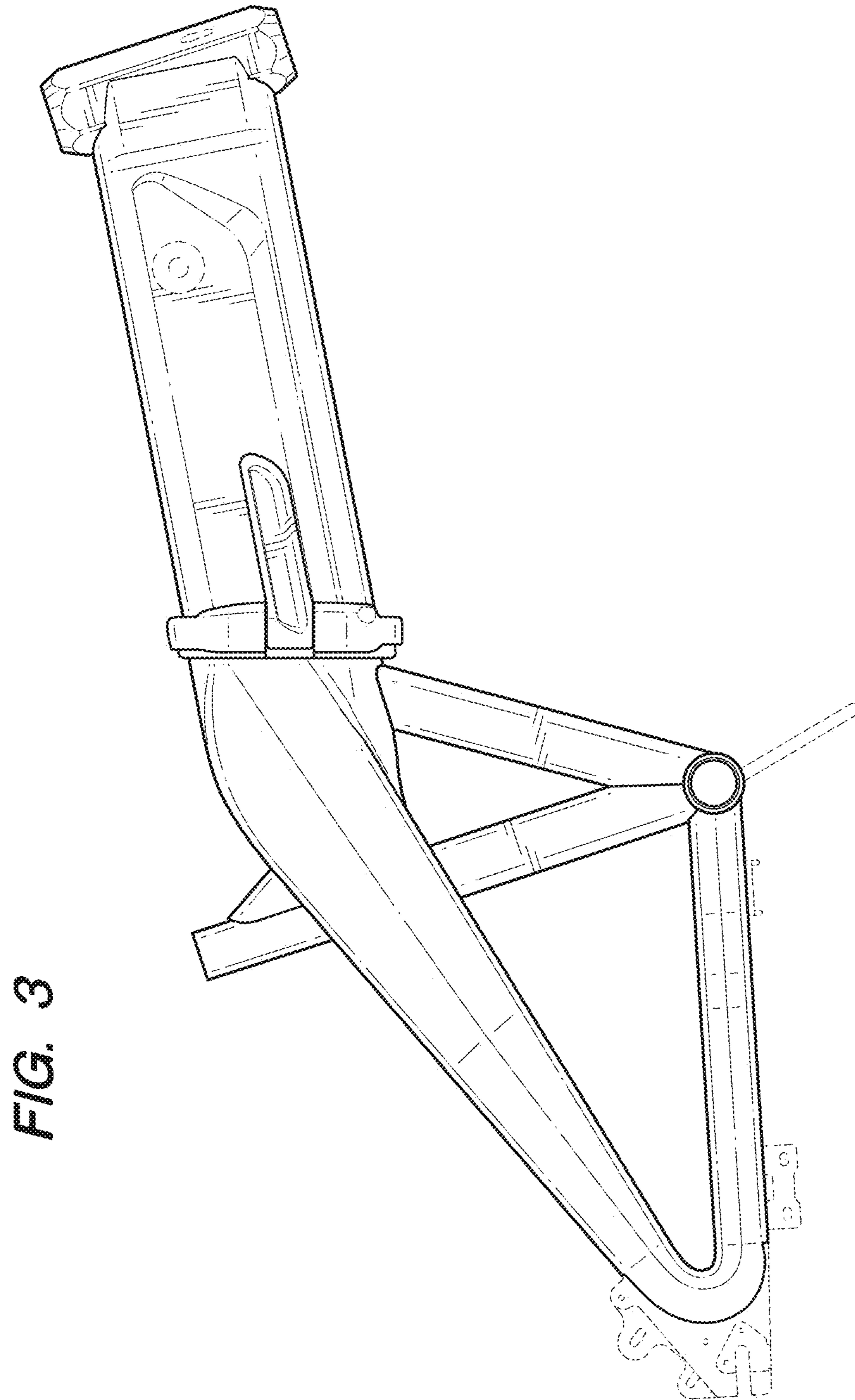


FIG. 5

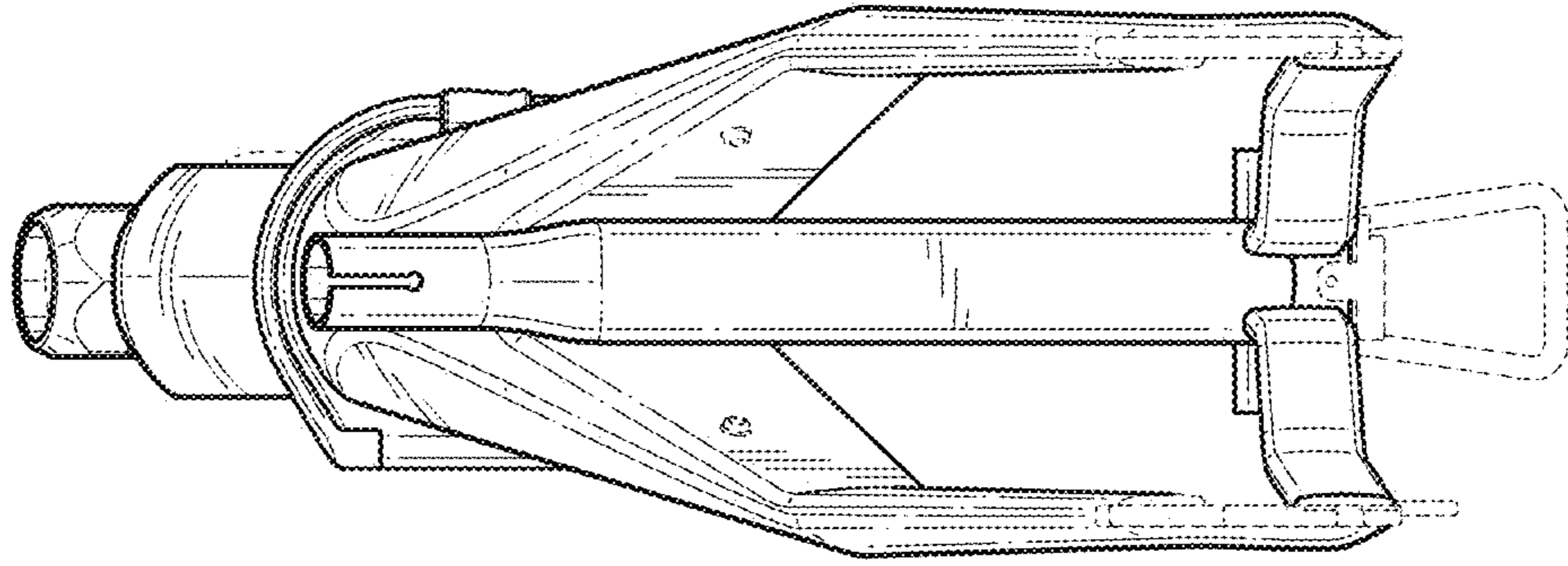
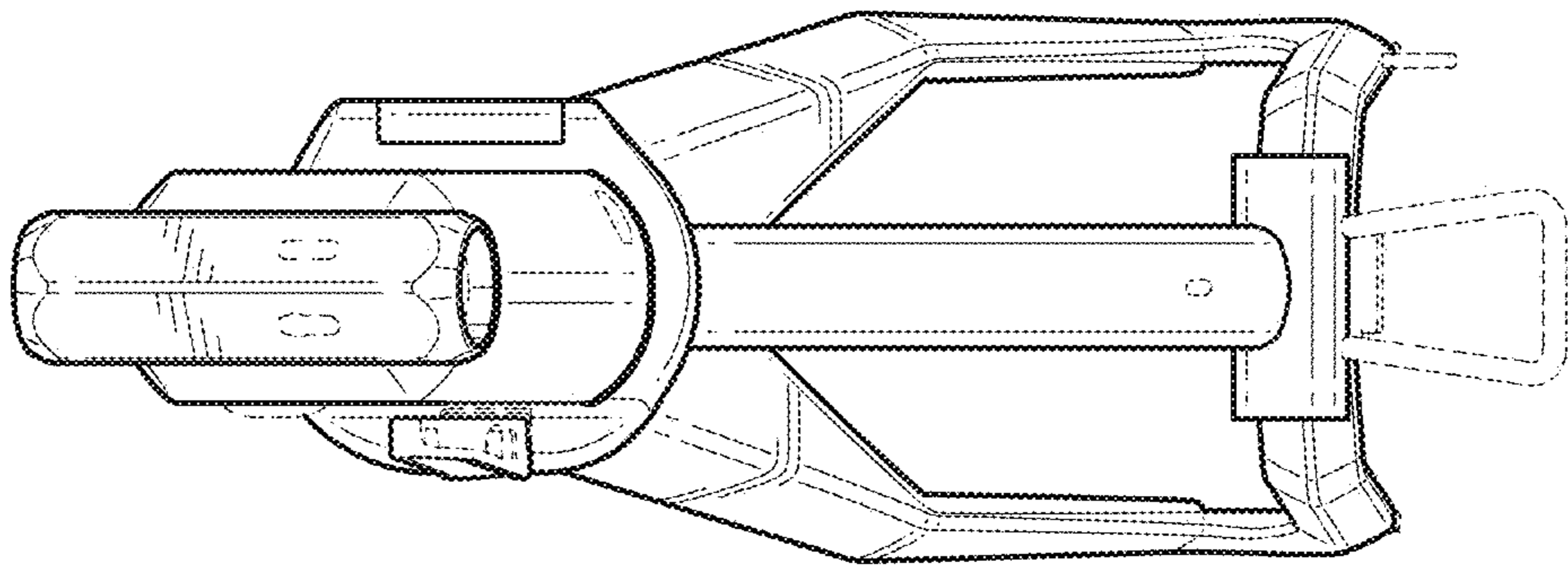


FIG. 4



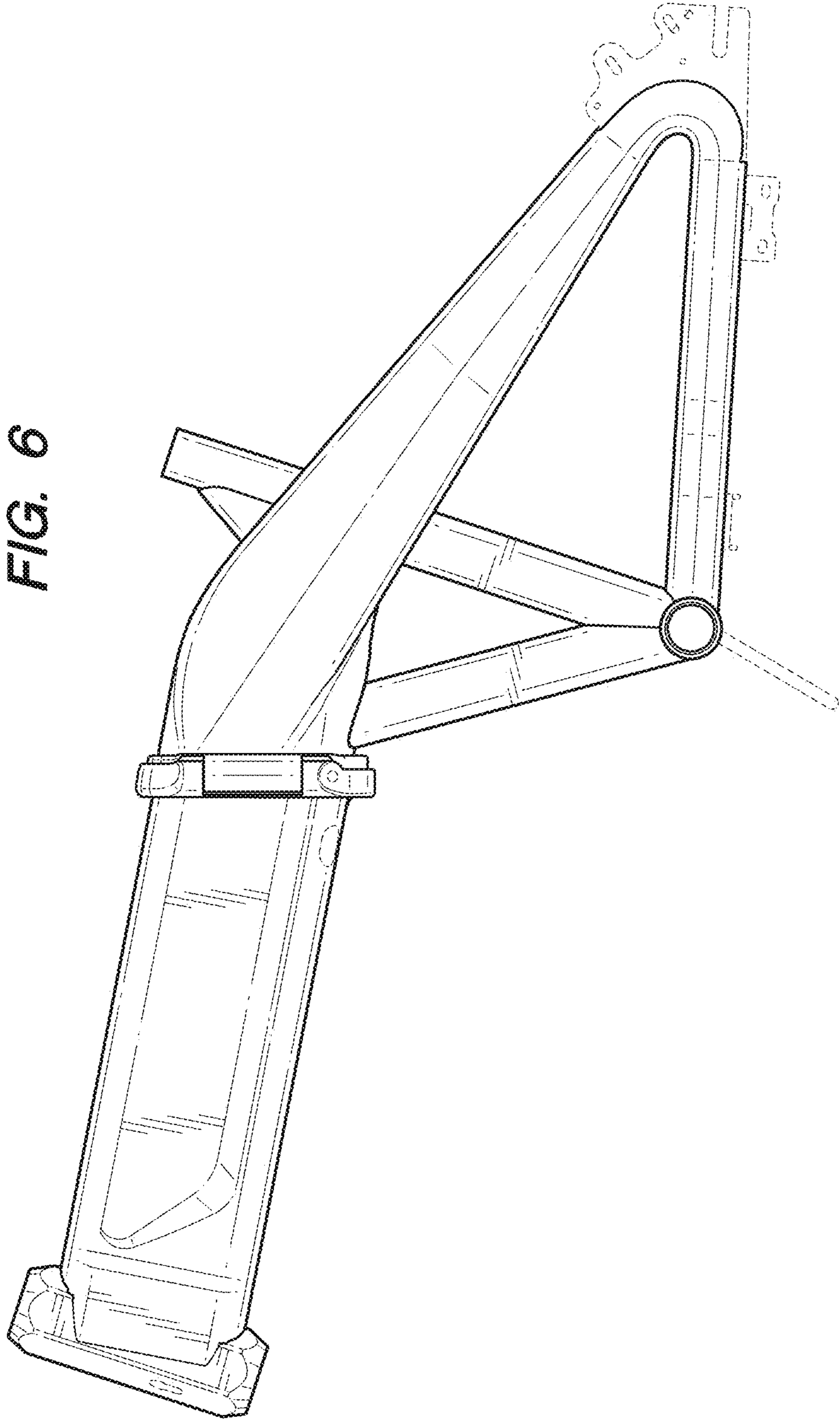


FIG. 6

FIG. 7

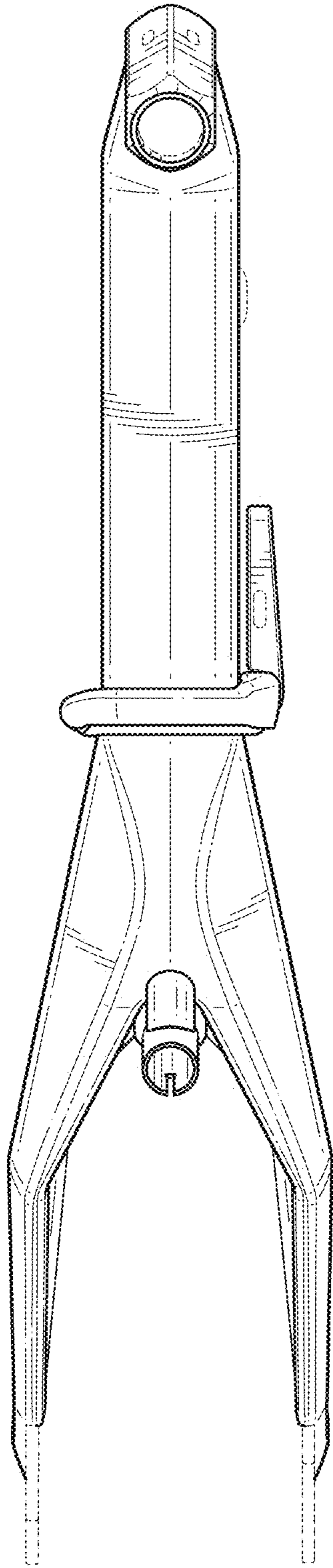


FIG. 8

