



US00D887897S

(12) **United States Design Patent**
Chen

(10) **Patent No.:** **US D887,897 S**

(45) **Date of Patent:** **** Jun. 23, 2020**

(54) **UNMANNED AERIAL VEHICLE**

(71) Applicant: **Junxian Chen**, Zhangzhou (CN)

(72) Inventor: **Junxian Chen**, Zhangzhou (CN)

(**) Term: **15 Years**

(21) Appl. No.: **29/676,929**

(22) Filed: **Jan. 16, 2019**

(51) **LOC (12) Cl.** **12-07**

(52) **U.S. Cl.**
USPC **D12/16.1**

(58) **Field of Classification Search**
USPC D12/1, 2, 3, 4, 16.1, 319-345;
D21/437-455
CPC B64C 29/0033; B64C 2201/021; B64C
29/02; B64C 2201/088; B64C 2201/104;
B64C 2201/141
See application file for complete search history.

D800,016 S * 10/2017 Huang D12/16.1
D814,385 S * 4/2018 Zhao D12/328
D825,669 S * 8/2018 Tompkin D21/441
D829,283 S * 9/2018 Cai D21/441
D849,845 S * 5/2019 Zhao D21/436
D855,705 S * 8/2019 Zhao D21/436
D858,353 S * 9/2019 Gan D12/16.1
D864,082 S * 10/2019 Zhou D12/328
D864,083 S * 10/2019 Zhou D12/328
D873,175 S * 1/2020 Li D12/16.1
D874,338 S * 2/2020 Zhao D12/16.1
2017/0291697 A1 * 10/2017 Kornatowski B64C 39/024
2018/0002023 A1 * 1/2018 Tian B64D 33/08
2018/0111685 A1 * 4/2018 Tian B64C 39/024

* cited by examiner

Primary Examiner — Marissa J Cash

(57) **CLAIM**

The ornamental design for an unmanned aerial vehicle, as shown and described.

DESCRIPTION

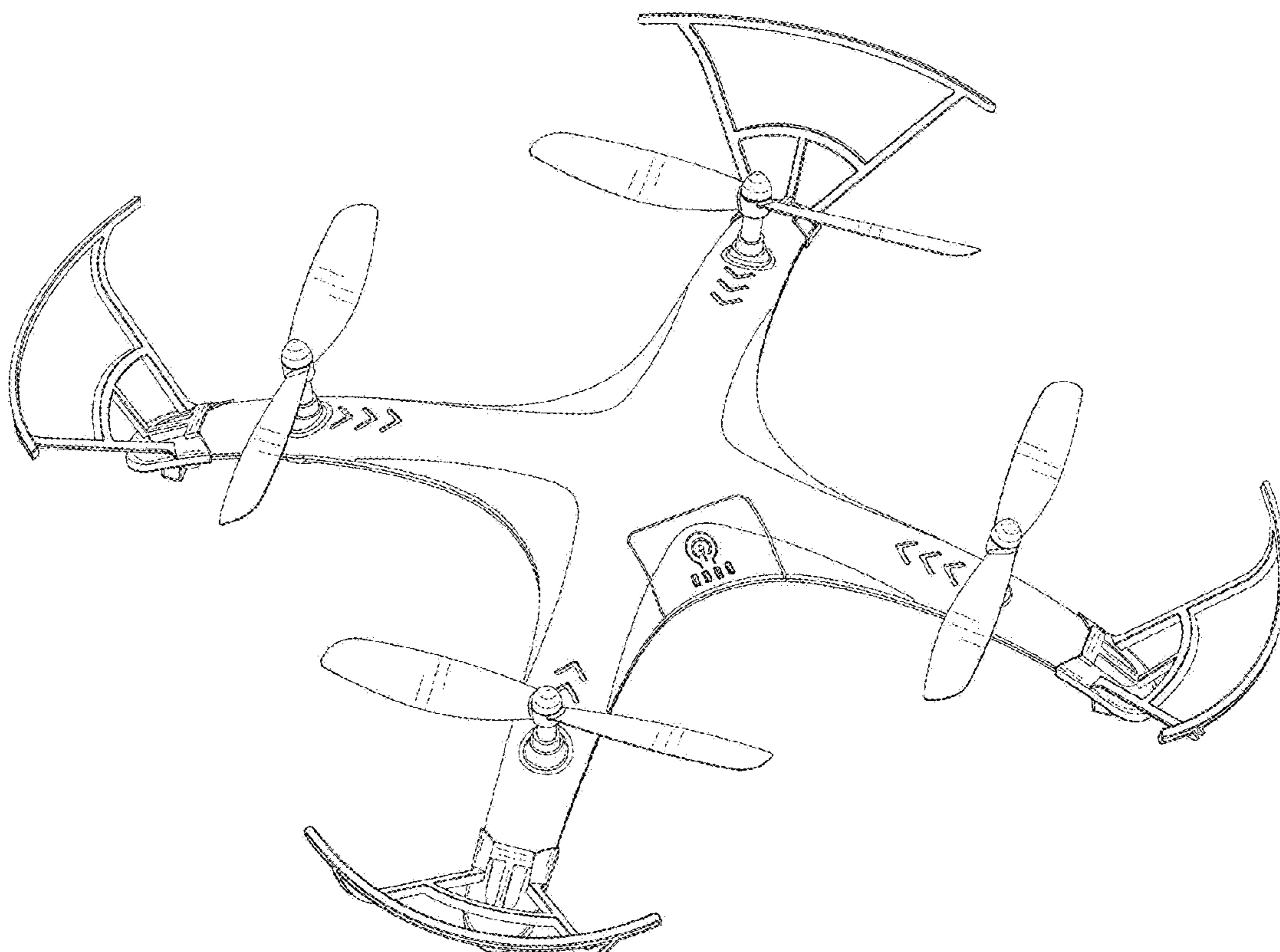
FIG. 1 is a front perspective view of the unmanned aerial vehicle showing my new design;
FIG. 2 is a front elevational view thereof;
FIG. 3 is a rear elevational view thereof;
FIG. 4 is a left side elevational view thereof;
FIG. 5 is a right side elevational view thereof;
FIG. 6 is a top plan view thereof;
FIG. 7 is a bottom plan view thereof; and,
FIG. 8 is rear perspective view thereof.

1 Claim, 8 Drawing Sheets

(56) **References Cited**

U.S. PATENT DOCUMENTS

D745,435 S * 12/2015 Park D12/16.1
D756,842 S * 5/2016 Ashjaee D12/16.1
D768,540 S * 10/2016 Ji D12/16.1
D783,727 S * 4/2017 Xiao D21/441
D785,717 S * 5/2017 Xiao D21/441
D793,482 S * 8/2017 Wang D12/16.1
D798,962 S * 10/2017 Xiao D21/441
D798,963 S * 10/2017 Xiao D21/441



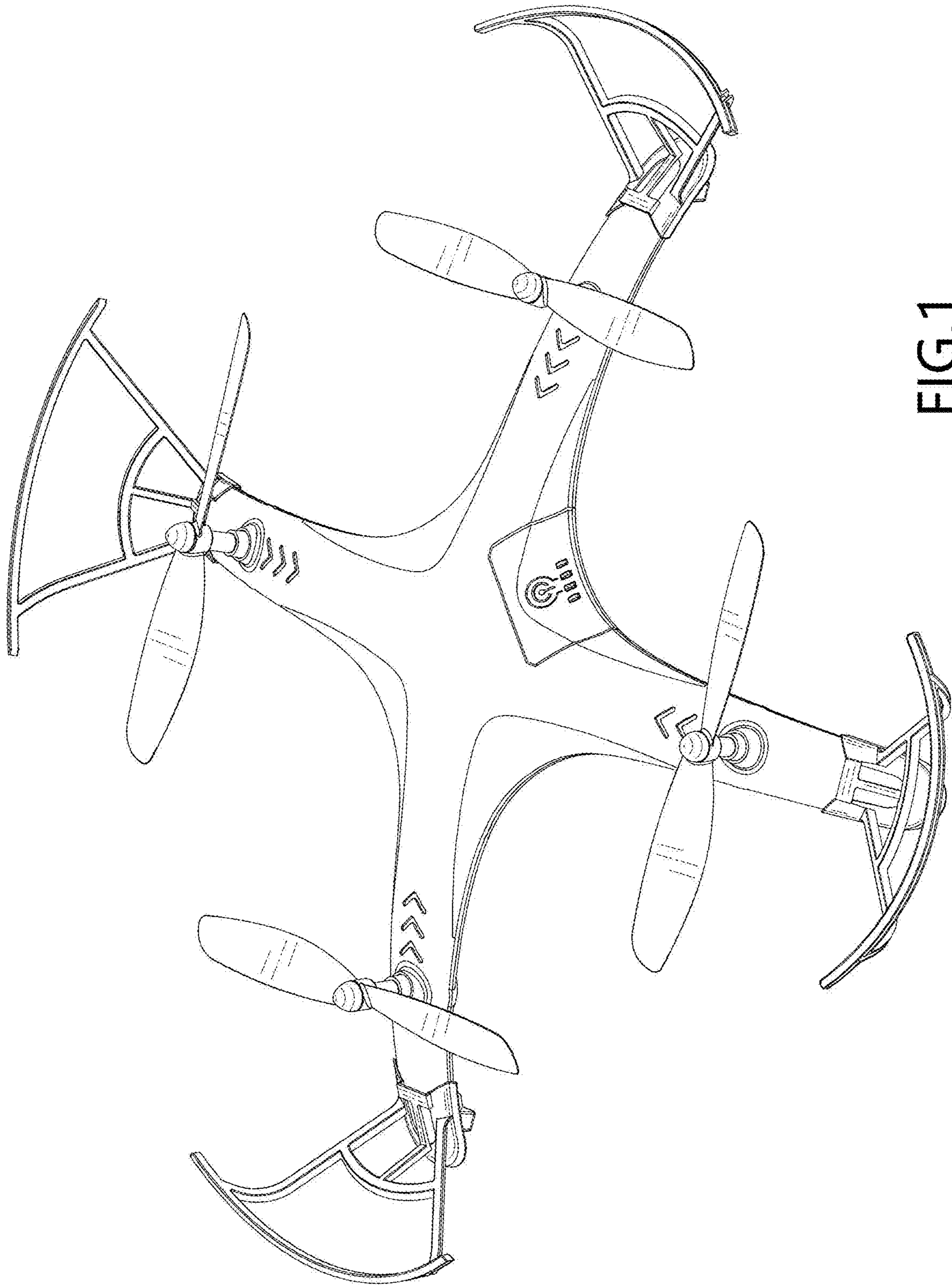


FIG.1

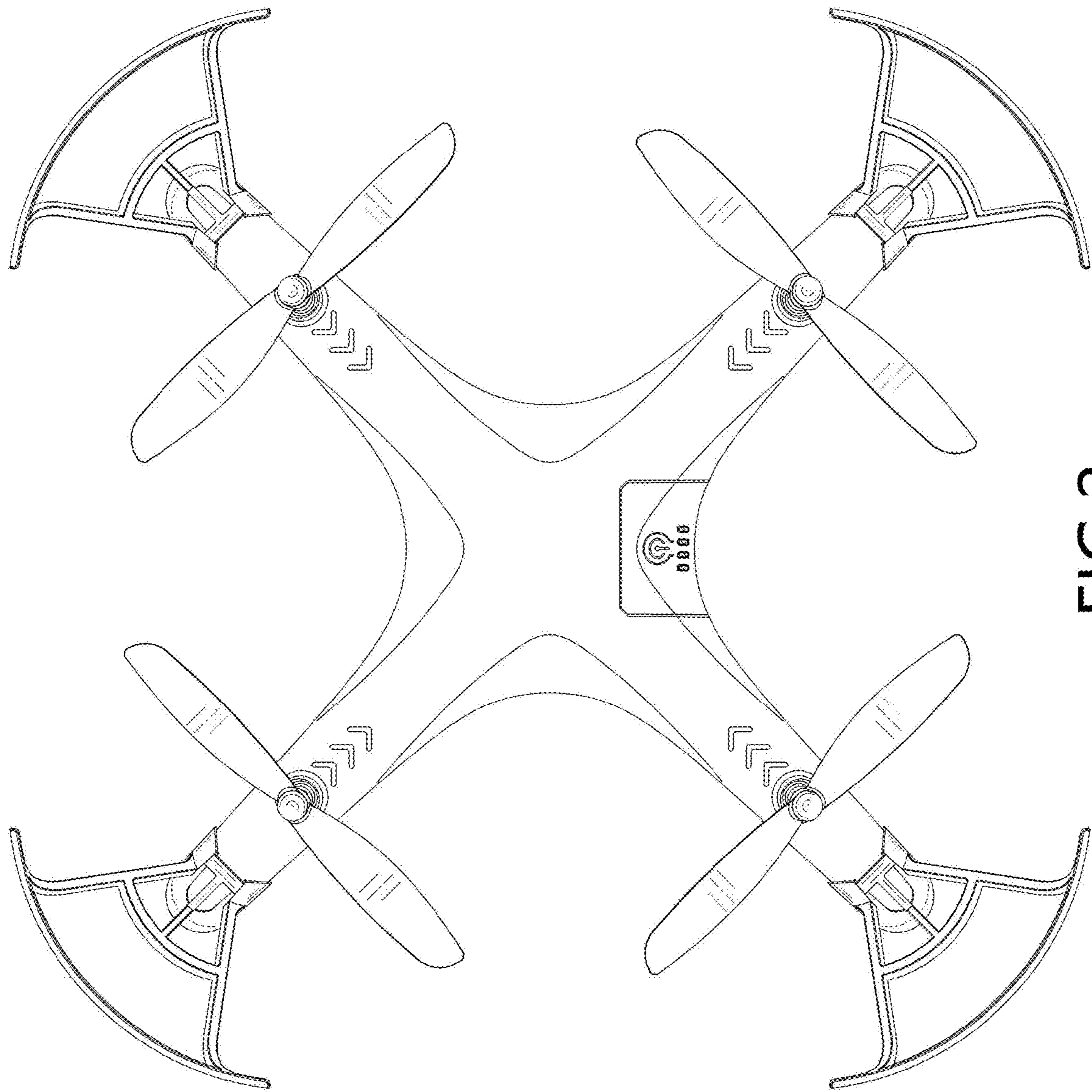


FIG. 2

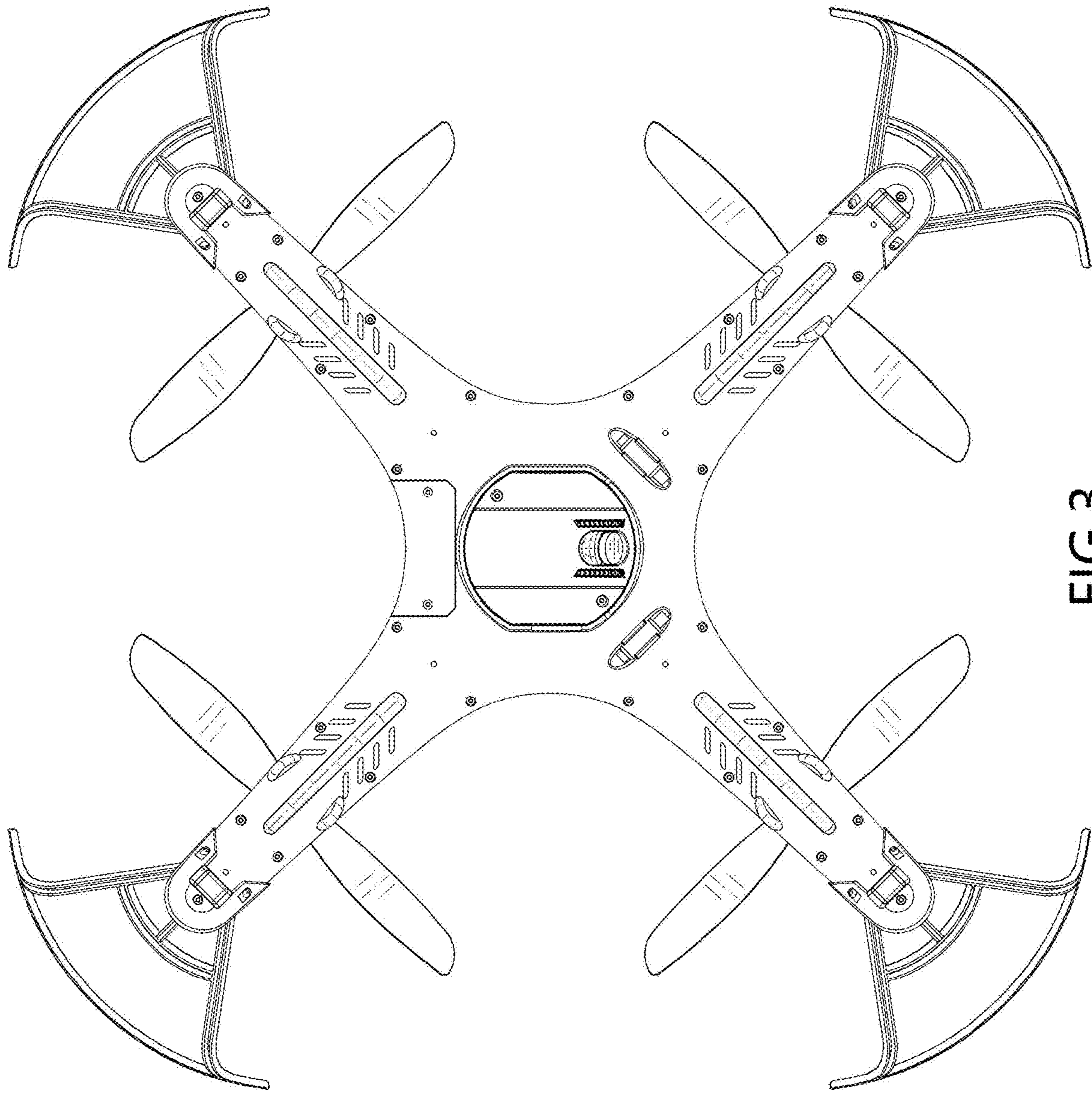


FIG.3

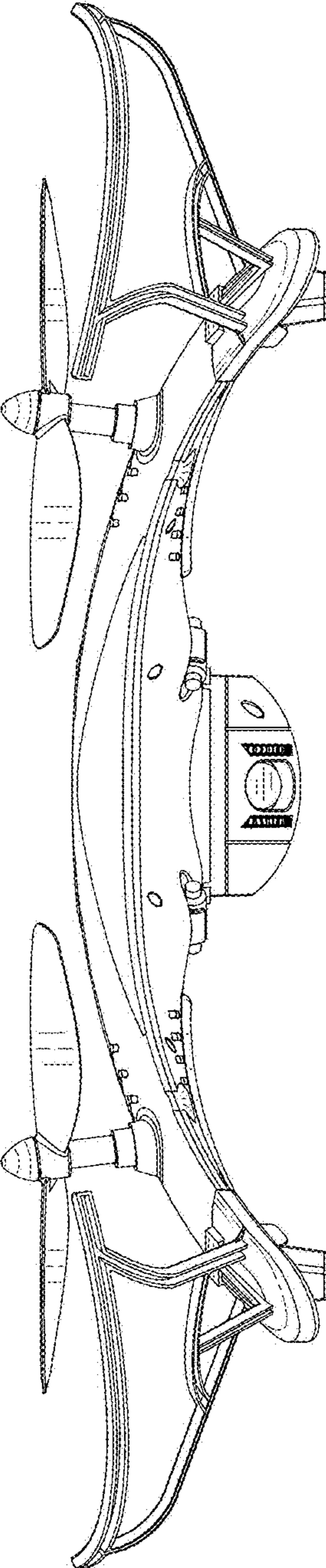


FIG.4

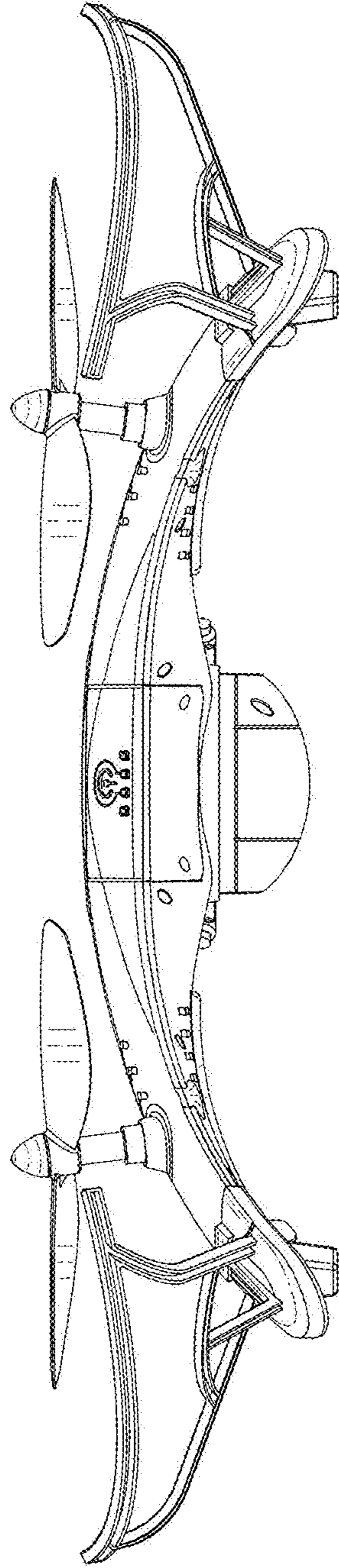


FIG.5

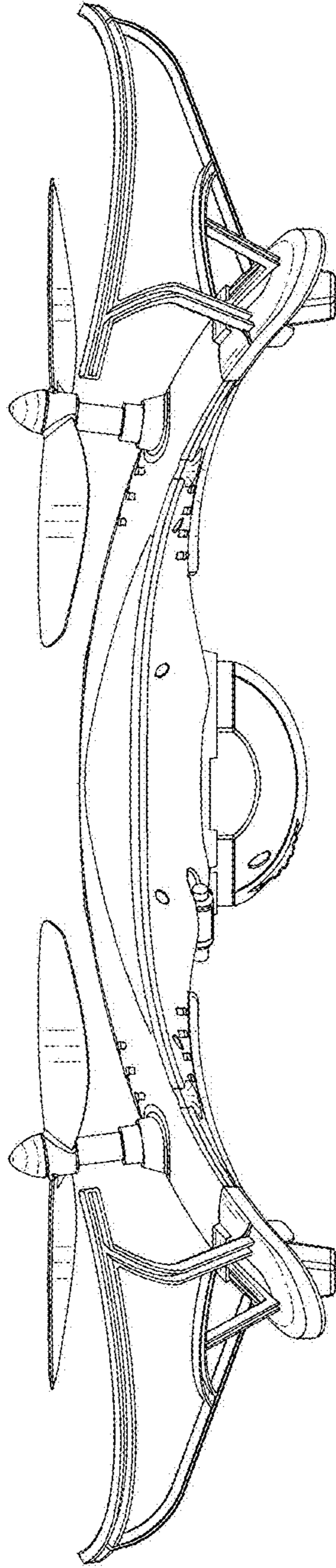


FIG. 6

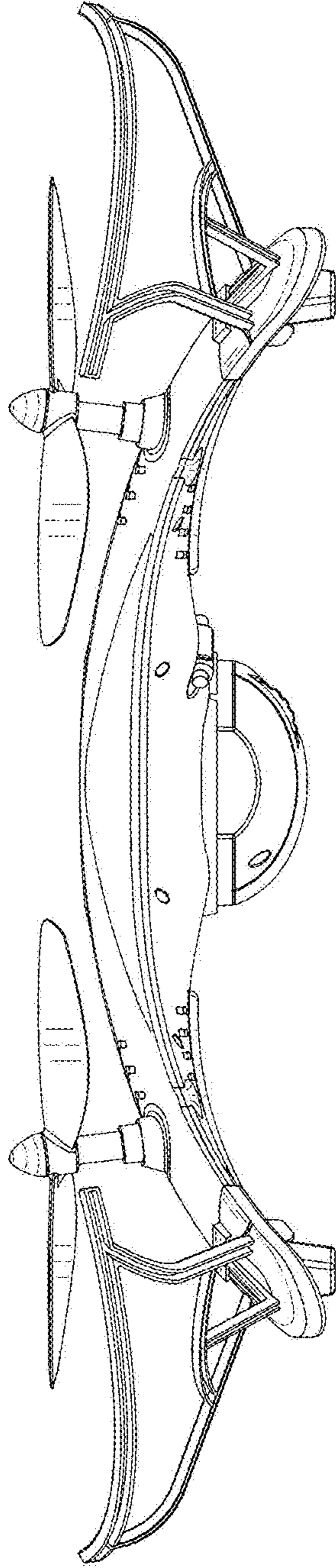


FIG.7

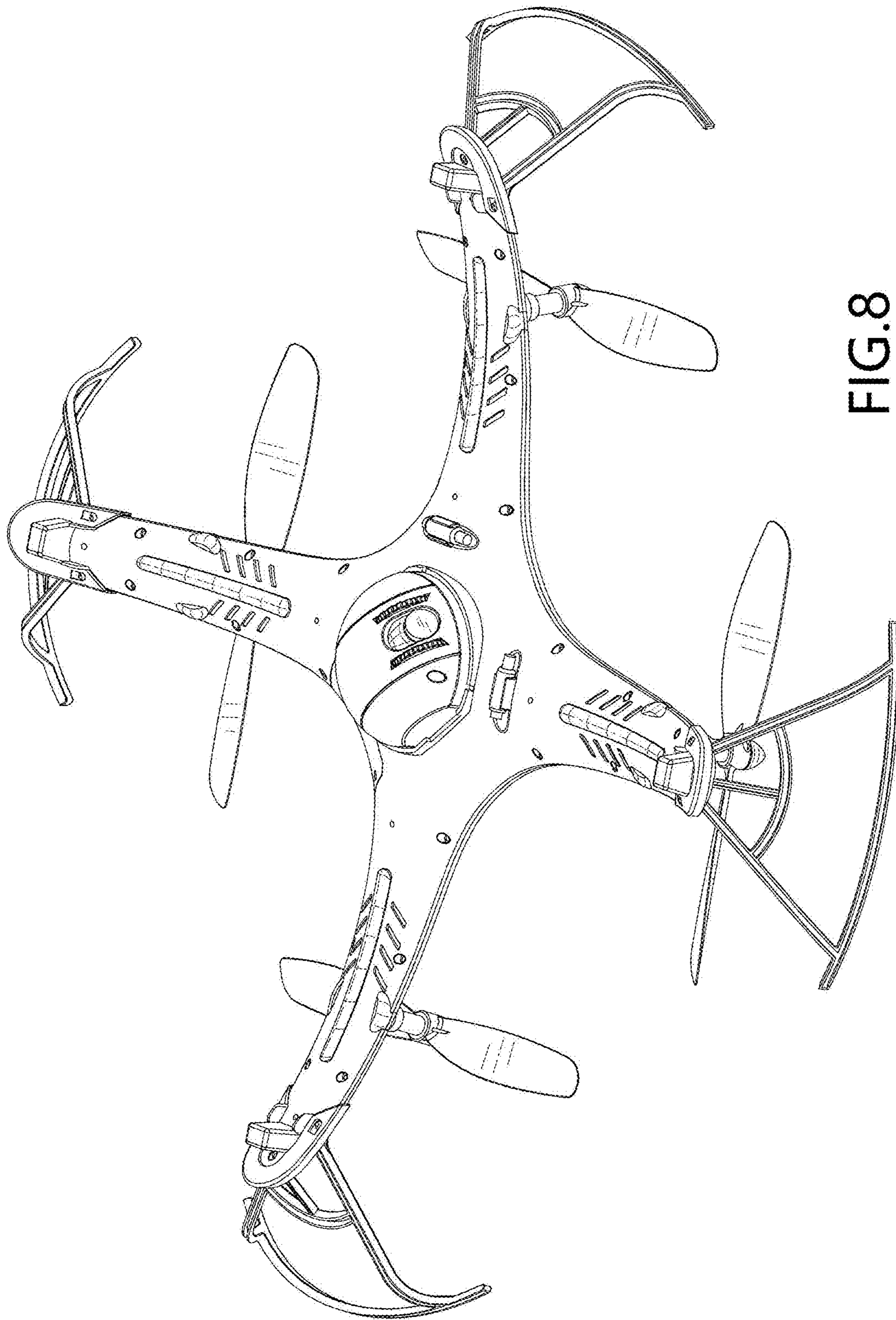


FIG.8