



US00D887893S

(12) **United States Design Patent** (10) **Patent No.:** **US D887,893 S**
Beauregard et al. (45) **Date of Patent:** **** Jun. 23, 2020**

(54) **FIGURINE**

- (71) Applicant: **MEGA Brands Inc.**, Montreal (CA)
- (72) Inventors: **Thierry Beauregard**, Boisbriand (CA);
Sylvain Charria, Montreal (CA);
Dorina Lusmanschi, Côte Saint-Luc (CA)
- (73) Assignee: **MEGA Brands Inc.**, Montreal, Quebec (CA)
- (**) Term: **15 Years**
- (21) Appl. No.: **29/672,084**
- (22) Filed: **Dec. 3, 2018**

Related U.S. Application Data

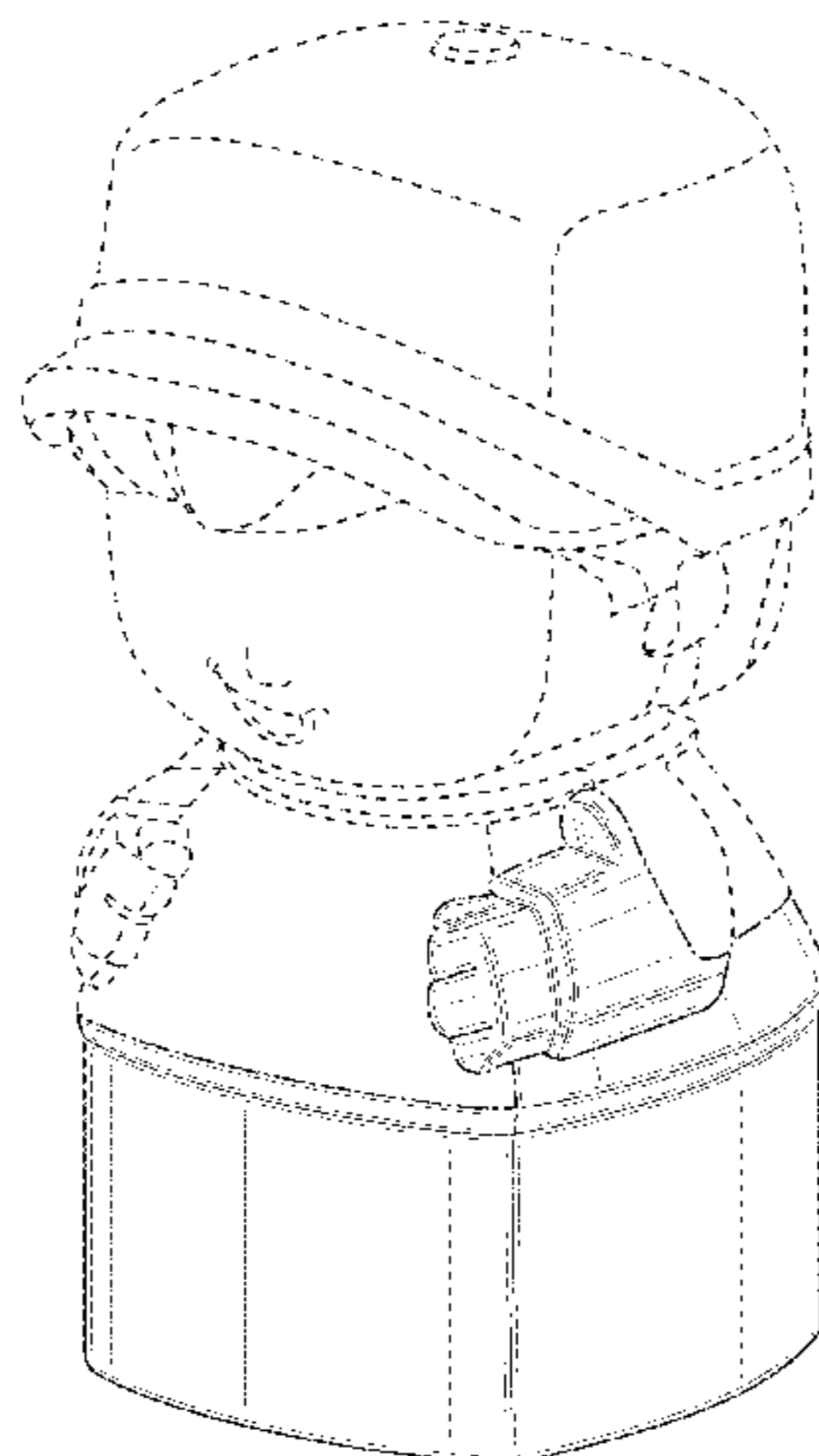
- (63) Continuation of application No. 29/608,816, filed on Jun. 26, 2017, now Pat. No. Des. 846,433, which is a continuation-in-part of application No. 29/604,606, filed on May 18, 2017, now Pat. No. Des. 829,127, which is a continuation of application No. 29/560,971, filed on Apr. 12, 2016, now Pat. No. Des. 790,395.
- (51) **LOC (12) Cl.** **11-02**
- (52) **U.S. Cl.**
USPC **D11/160; D21/621; D21/623**
- (58) **Field of Classification Search**
USPC D11/30-32, 48, 49, 53-58, 81-83,
D11/99-104, 107, 121, 125-128, 131,
D11/133-137, 142, 149, 150, 157, 158,
D11/160, 162, 184; D21/483, 576, 578,
D21/579, 585, 587, 593, 594, 606, 621,
D21/623, 626, 630, 633, 653, 658;
D20/29-33; 446/97-99, 102-106,
446/124-128, 268, 313, 330, 371, 376,
446/377, 387, 388, 390; 428/4, 8, 9, 11
See application file for complete search history.

(56)

References Cited

U.S. PATENT DOCUMENTS

D188,667 S	8/1960	De May
D239,634 S	4/1976	Knudsen et al.
D239,846 S	5/1976	Knudsen et al.
D248,115 S	6/1978	Tapdrup
D248,172 S	6/1978	Tapdrup
D248,173 S	6/1978	Tapdrup
D248,174 S	6/1978	Tapdrup
D248,175 S	6/1978	Tapdrup
D248,176 S	6/1978	Tapdrup
D248,177 S	6/1978	Tapdrup
D248,178 S	6/1978	Tapdrup
D248,582 S	7/1978	Tapdrup
D250,758 S	1/1979	Braddock
D251,261 S	3/1979	Tapdrup
D253,711 S	12/1979	Christiansen et al.
D255,813 S	7/1980	Pape et al.
D259,647 S	6/1981	Takahashi
D259,648 S	6/1981	Takahashi
D260,159 S	8/1981	Takahashi
D260,665 S	9/1981	Yamashina
D278,645 S	4/1985	Nielsen
D278,735 S	5/1985	Nielsen
D279,494 S	7/1985	Nielsen
D282,944 S	3/1986	Nielsen
D283,149 S	3/1986	Nielsen
D283,150 S	5/1986	Jensen
D283,906 S	5/1986	Nielsen
D284,091 S	6/1986	Arnau
D291,585 S	8/1987	Bertrand
D301,499 S	6/1989	Tapdrup
D301,500 S	6/1989	Tapdrup
D325,605 S	4/1992	Holmstrom
D329,069 S	9/1992	Holmstrom
D329,070 S	9/1992	Holmstrom
D329,884 S	9/1992	Holmstrom
D332,117 S	12/1992	Holmstrom
D362,879 S	10/1995	Jensen
D391,519 S	3/1998	Silvers
D473,485 S	4/2003	Danon et al.
D481,083 S	10/2003	Bresciani et al.
D494,642 S	8/2004	Bresciani et al.
D494,643 S	8/2004	Bresciani et al.
D495,764 S	9/2004	Bresciani et al.
D504,708 S	5/2005	Wang
D531,084 S	10/2006	McGowen et al.
D531,541 S	11/2006	McGowen et al.
D531,542 S	11/2006	McGowen et al.
D611,108 S	3/2010	Bodin
D631,786 S	2/2011	Palmer



D638,980 S	5/2011	van der Lande	
D639,353 S	6/2011	Stibolt	
D672,410 S	12/2012	Dubreuil et al.	
D672,411 S	12/2012	Dubreuil et al.	
D672,412 S	12/2012	Dubreuil et al.	
D672,413 S	12/2012	Dubreuil et al.	
D726,587 S	4/2015	Collicott	
D726,588 S	4/2015	Collicott	
D740,683 S	10/2015	Kassouni	
D746,171 S	12/2015	Lau et al.	
D749,176 S	2/2016	Collicott	
D760,328 S	6/2016	Croston et al.	
D760,330 S	6/2016	Croston et al.	
D762,787 S	8/2016	Barbiani et al.	
D784,850 S	4/2017	Kawase	
D790,395 S	6/2017	Beauregard et al.	
D792,960 S	7/2017	Locker et al.	
D821,257 S	6/2018	Parisi	
D829,127 S	9/2018	Beauregard et al.	
D846,433 S *	4/2019	Charria	D11/160
2005/0153623 A1	7/2005	Shrock et al.	
2008/0009217 A1	1/2008	Leonhardt	
2014/0227936 A1	8/2014	Botterill et al.	

FOREIGN PATENT DOCUMENTS

CN	304353393	*	11/2017
CN	304732445	*	7/2018

OTHER PUBLICATIONS

Office Action dated Dec. 15, 2017 in Design U.S. Appl. No. 29/604,606.
 Amendment filed Mar. 8, 2018 in Design U.S. Appl. No. 29/604,606.
 Notice of Allowance dated May 22, 2018 in Design U.S. Appl. No. 29/604,606.
 Office Action dated Jul. 26, 2018 in Design U.S. Appl. No. 29/608,816.
 Amendment filed Oct. 23, 2018 in Design U.S. Appl. No. 29/608,816.
 Notice of Allowance dated Nov. 11, 2018 in Design U.S. Appl. No. 29/608,816.
 Mega Bloks Peter Police Car Building Set, available Feb. 21, 2017, [online], [site visited Jul. 20, 2018]. Available from Internet, <URL:https://www.amazon.com/Mega-Bloks-Peter-Police-Building/dp/BO1CW6EFDM/ref=cm_cr_arp_d_product_top?ie=UTF8 (Year: 2017).
 Mega Bloks Purple School Bus Building Set, available Dec. 21, 2017, [online], [site visited Jul. 20, 2018]. Available from Internet, <URL: https://www.amazon.com/Mega-Bloks-Purple-School-Building/dp/BO1CW6ELBI/ref=pd_sim_21_6?_encoding=UTF8&pd_rd_i=B01CW6ELBI&pd_rd_r=MX61 BP (Year: 2017).
 Mega Bloks My First Builders Building Blocks People Figurines, available Oct. 30, 2018, [online], [site visited Nov. 17, 2018]. Available from internet, <URL:https://picclick.com/Mega-Bloks-My-First-Builders-Building-Blocks-People-312267184704.html (Year: 2018).
 Mega Bloks—First Builders—Block Buddies—Hero Team, available Mar. 1, 2014, [online], [site visited Nov. 17, 2018]. Available from internet, <URL:https://www.amazon.com/Mega-Bloks-First-Builders-Buddies/dp/BOODIGKRUG (Year: 2014).
 Mega Bloks—First Builders—Block Buddies—Friends, available Mar. 10, 2014, [online], [site visited Nov. 17, 2018]. Available from internet, <URL:https://www.amazon.com/Mega-Bloks-Builders-Buddies-Friends/dp/BOODIGPGBG/ref=cm_cr_pr_sims_t (Year: 2014).
 Mega Bloks Spin 'n Play Spinning Garage Playset, available Dec. 6, 2016, [online], [site visited Nov. 17, 2018]. Available from internet, <URL:https://www.amazon.com/Mega-Bloks-Spinning-Garage-Playset/dp/BO14WTHV74/ref=pd (Year: 2016).
 Fisher-Price Big Helpers Family, available Oct. 2, 2018, [online], [site visited Nov. 17, 2018]. Available from internet, <URL: https://www.amazon.com/Fisher-Price-Big-Helpers-Family-Multicolor/dp/B079JTFMGT/ref=pd (Year: 2018).
 “Mega Bloks Rescue Squad, First Builders,” MEGA Bloks item #6623, <URL: https://web.archive.org/web/20130831045609/http://

www.megabloks.com/en-us/shop/construction-toys/first-builders/rescue-squad-6623>, 3 pages, published Aug. 31, 2013.
 “Mega Bloks Block Buddies, First Builders,” Mega Bloks item #81215, <URL: https://web.archive.org/web/20140808082347/http://www.megabloks.com/en-us/shop/construction-toys/first-builders/block-buddies-81215>, 2 pages, published Aug. 8, 2014.
 “Mega Bloks Collection: Dora the Explorer,” <URL: https://web.archive.org/web/20141019205539/http://www.megabloks.com/en-ca/shop/construction-toys/dora-the-explorer>, 3 pages, published Oct. 19, 2014.
 “Duplo Figure Bust Short with Striped Dungarees and Black Male Hair,” Lego Part 2327cx1, first produced 1994 according to: <URL: http://www.peeron.com/inv/parts/2327cx1>, 2 pages.
 “Duplo Figure Bust Short with Suspenders, Yellow Freckle Nose, and Red Male Hair,” Lego Part 2327cx3, first produced 1992 according to: <URL: http://www.peeron.com/inv/parts/2327cx3>, 2 pages.
 “Duplo Figure Bust Tall with Freckle Nose and Brown Ragged Male Hair,” Lego Part x829cx12, first produced 1984 according to: <URL: http://www.peeron.com/inv/parts/x829cx12>, 3 pages.
 “Duplo Figure Bust Tall with Male Face (Thick Eyebrows) and Yellow Derby Flat,” Lego Part x829cx23, first produced 1980 according to: <URL: http://www.peeron.com/inv/parts/x829cx23>, 3 pages.
 “MEGA Bloks Block Buddies My Pony Stable Instructions,” 2004, 6 pages.
 Mega Bloks First Builders School Bus Building Set (via Amazon), available Feb. 1, 2017, [online], [site visited Feb. 1, 2017]. Available from internet, <URL: https://www.amazon.com/Mega-Bloks-Builders-School-Building/dp/B01CW6EL72/ref=pd_sim_21_3?_encoding=UTF8&pd_rd_i=B01CW6EL72&pd_rd_r=Q3W4BME1AB6XPVDJ7HJX&pd_rd_w=EIOMK&pd_rd_wg=urqUF&psc=1&refRID=Q3.
 Mega Bloks Pink Convertible Building Set (via Amazon), available Jan. 4, 2017, [online], [site visited Feb. 1, 2017]. Available from internet, <URL: https://www.amazon.com/Mega-Bloks-Pink-Convertible-Building/dp/B01CW6EL0E/ref=cm_cr_arp_d_pdt_img_top?ie=UTF8.
 Mega Bloks Dylan Dump Truck (via Amazon), available Jan. 17, 2013, [online], [site visited Feb. 1, 2017]. Available from Internet, <URL: https://www.amazon.com/Mega-Bloks-Dylan-Dump-Truck/dp/B006LEZ9EQ/ref=sr_1_1?s=toys-and-games&ie=UTF8&qid=1486358821&sr=1-1&keywords=dylan+dump+truck.

* cited by examiner

Primary Examiner — W. A. Teddy Falloway
 (74) Attorney, Agent, or Firm — Plumsea Law Group, LLC

(57) CLAIM

The ornamental design for a figurine, as shown and described.

DESCRIPTION

FIG. 1 is a top isometric perspective view of a figurine showing the new design;
 FIG. 2 is a front elevational view thereof;
 FIG. 3 is a rear elevational view thereof;
 FIG. 4 is a left side elevational view thereof;
 FIG. 5 is a right side elevational view thereof;
 FIG. 6 is a top plan view thereof; and,
 FIG. 7 is a bottom plan view thereof.
 The dash-dash broken lines illustrate portions of the figurine. The long dash-short dash broken lines represent the bounds of the claim. The broken lines form no part of the claimed design. In addition, the figurine depicted in the drawings is the right side embodiment, the left side embodi-

ment being a mirror image thereof. The claimed design covers the mirror images of the drawings and encompasses both embodiments.

1 Claim, 7 Drawing Sheets

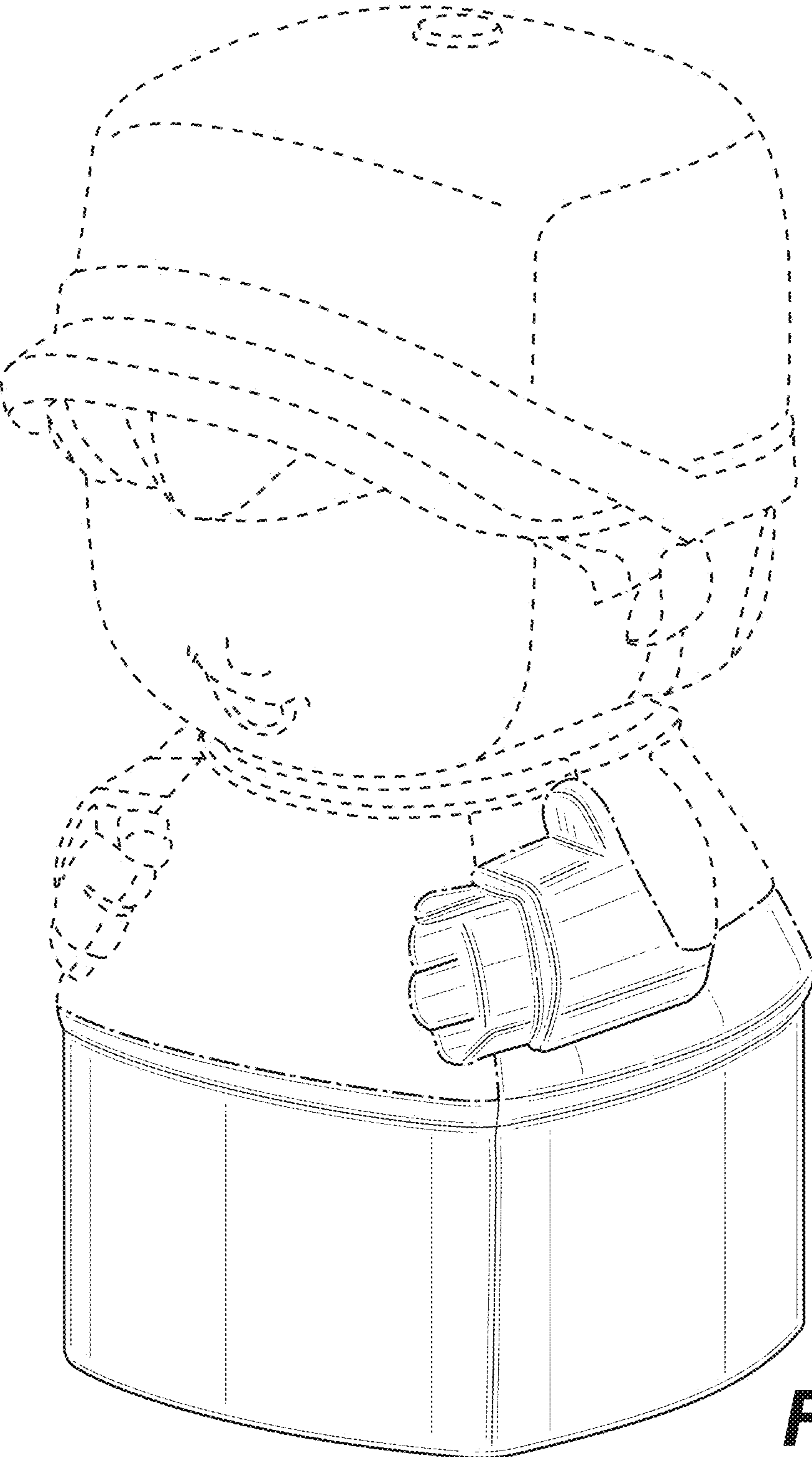


FIG. 1

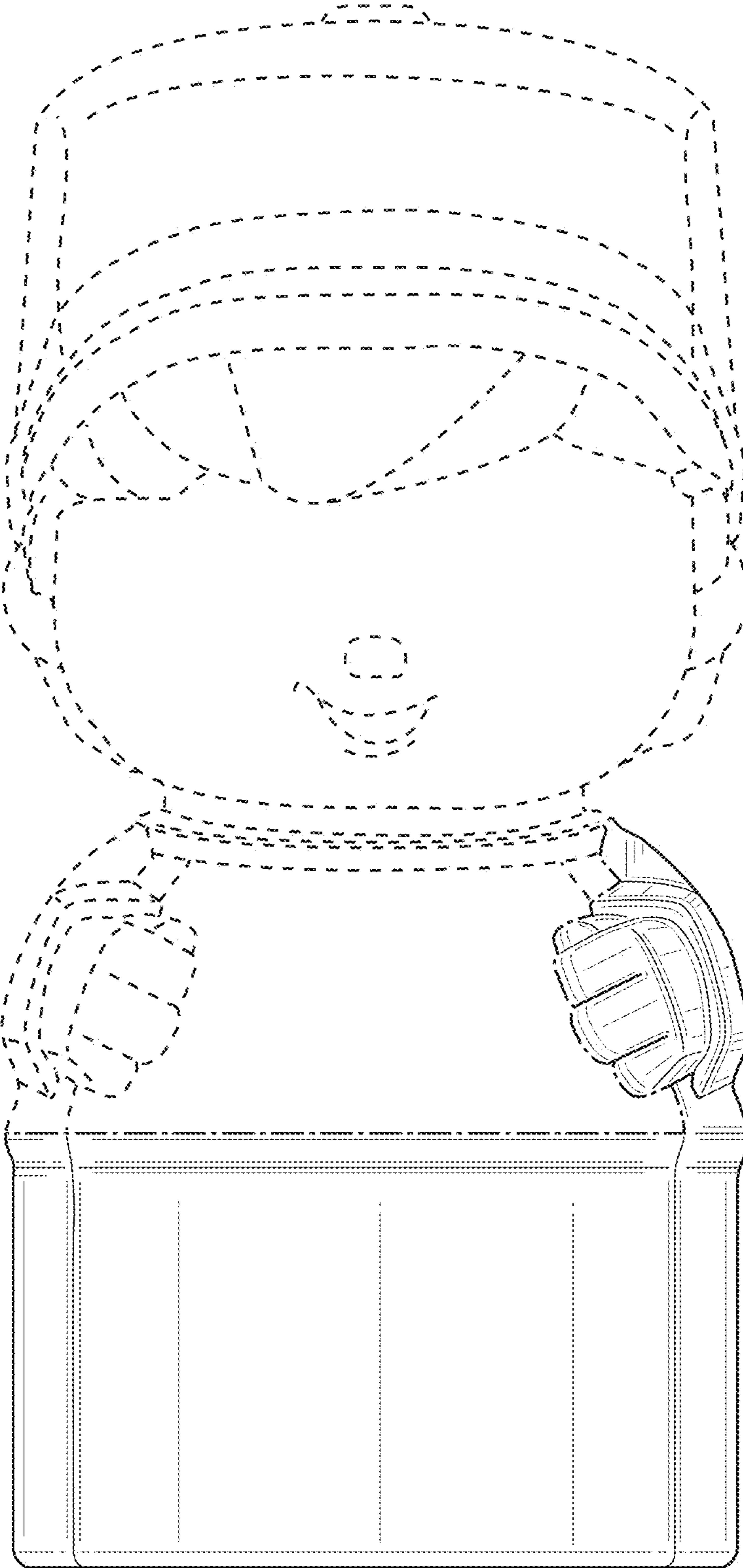


FIG. 2

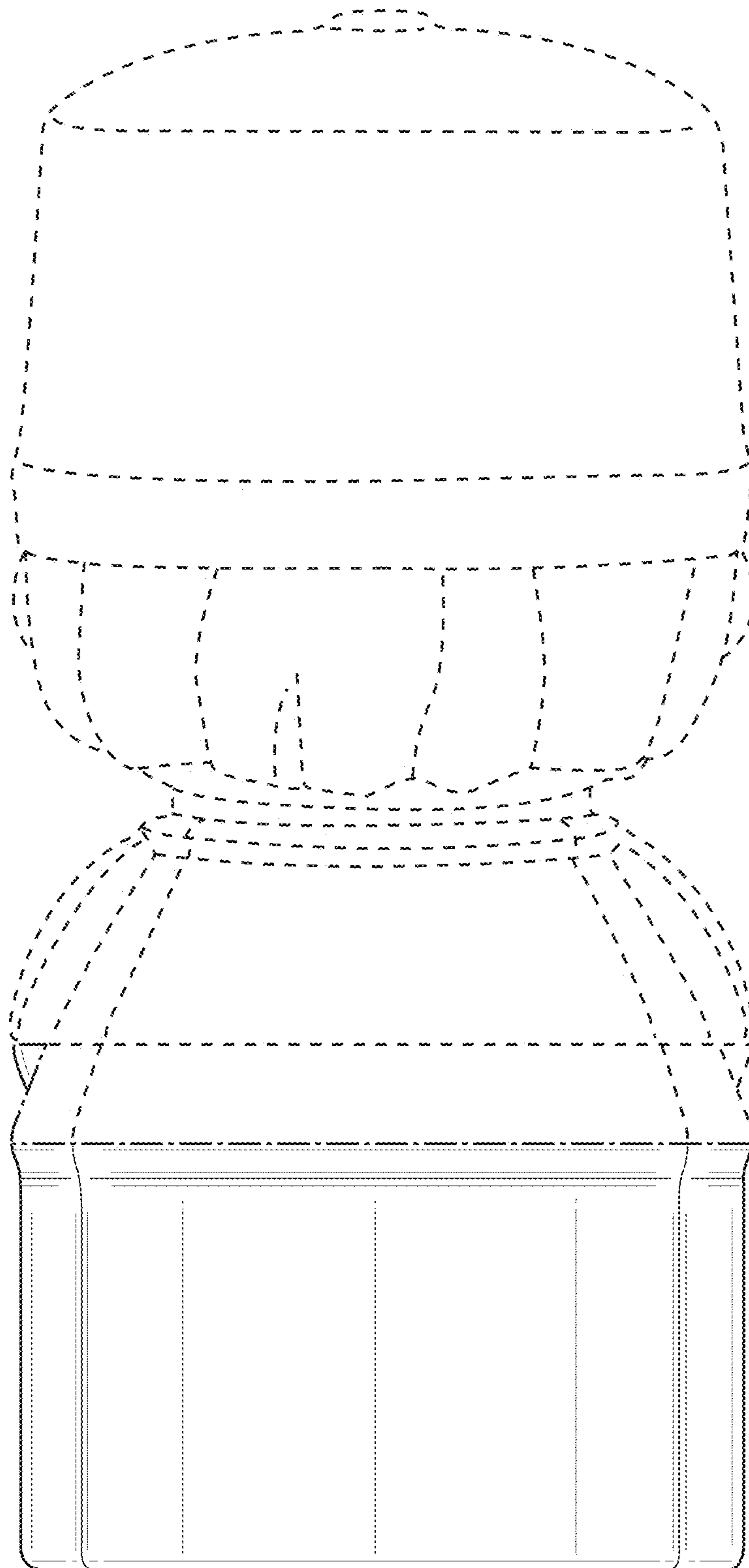


FIG. 3

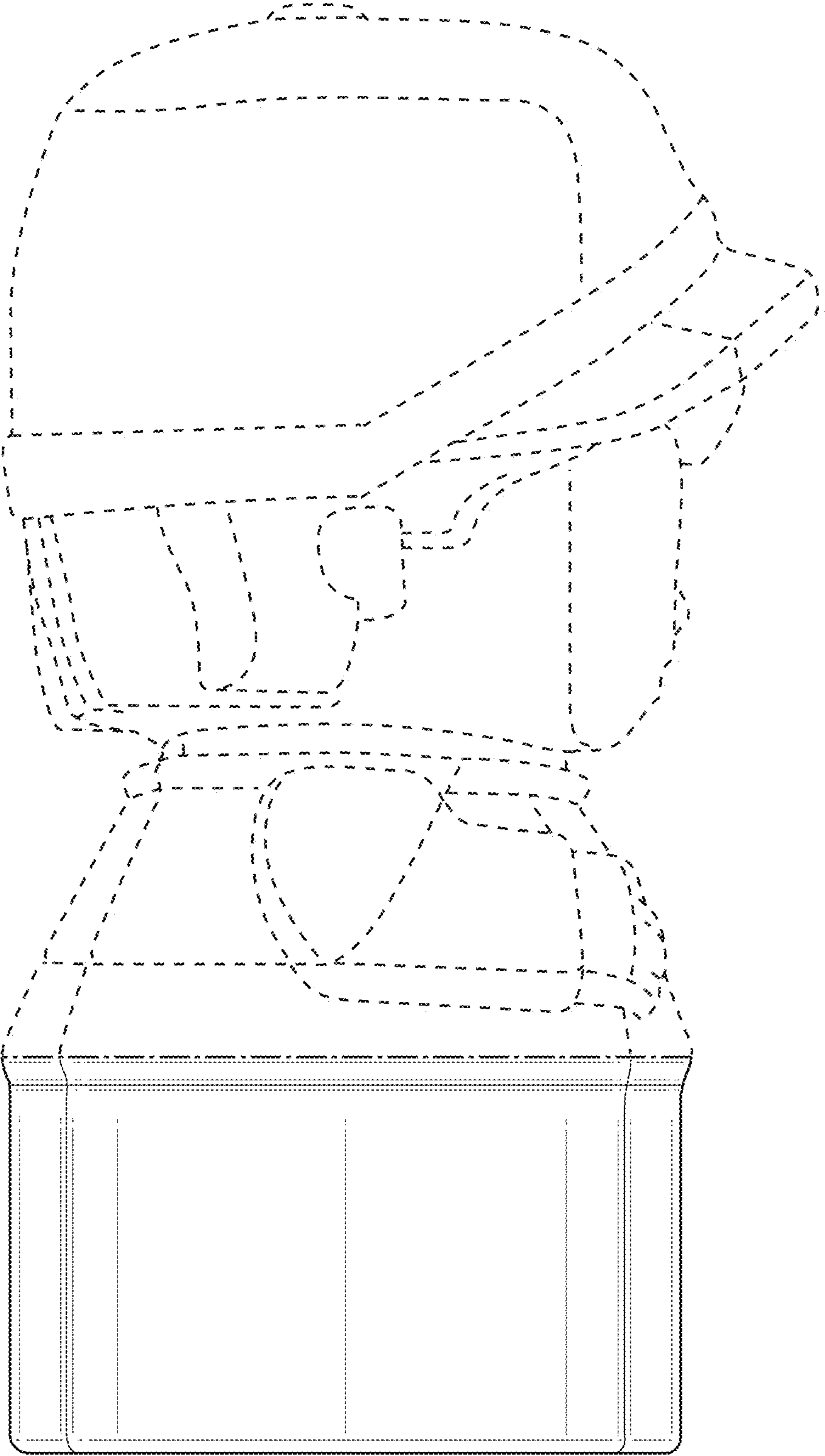


FIG. 4

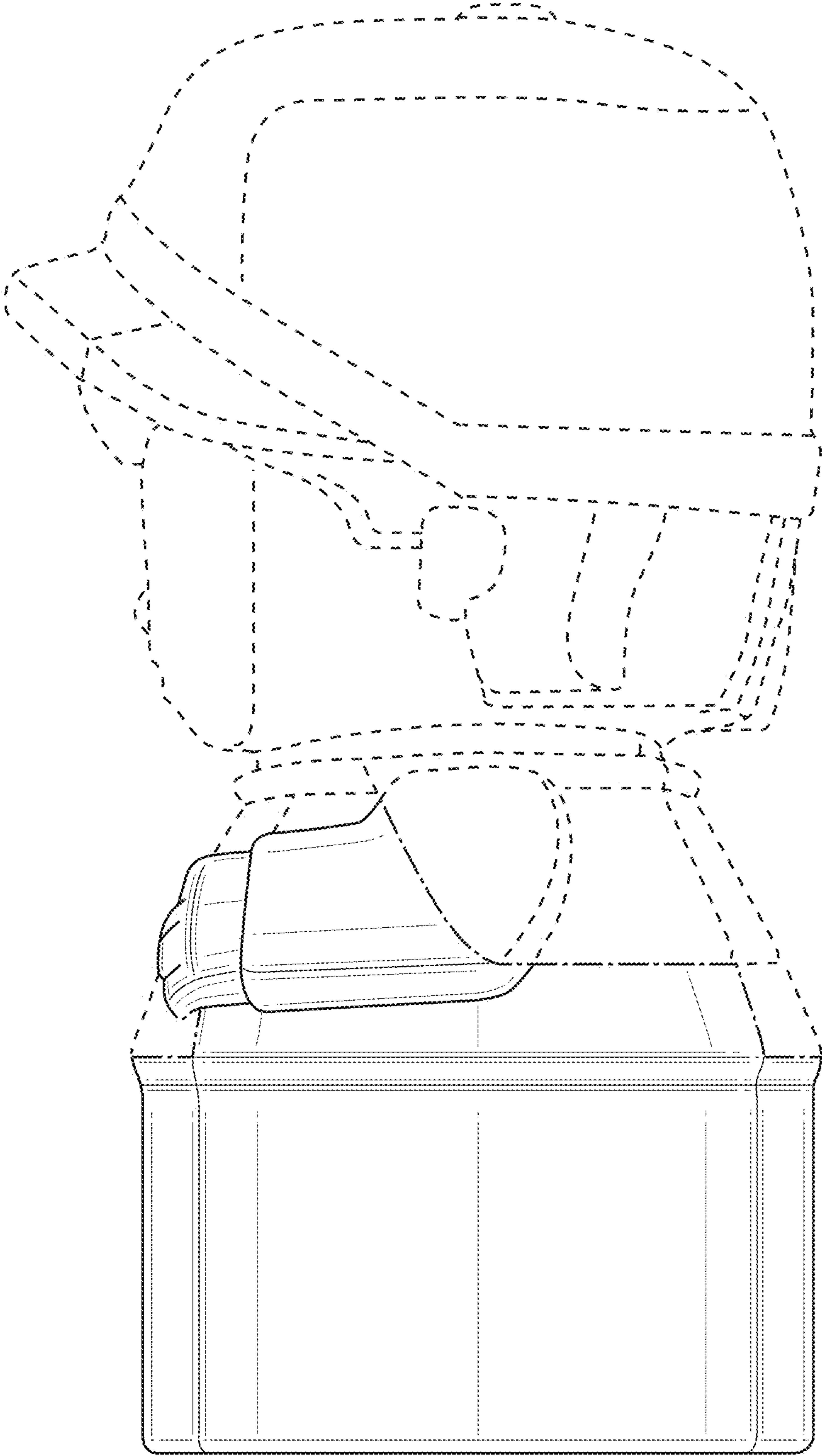


FIG. 5

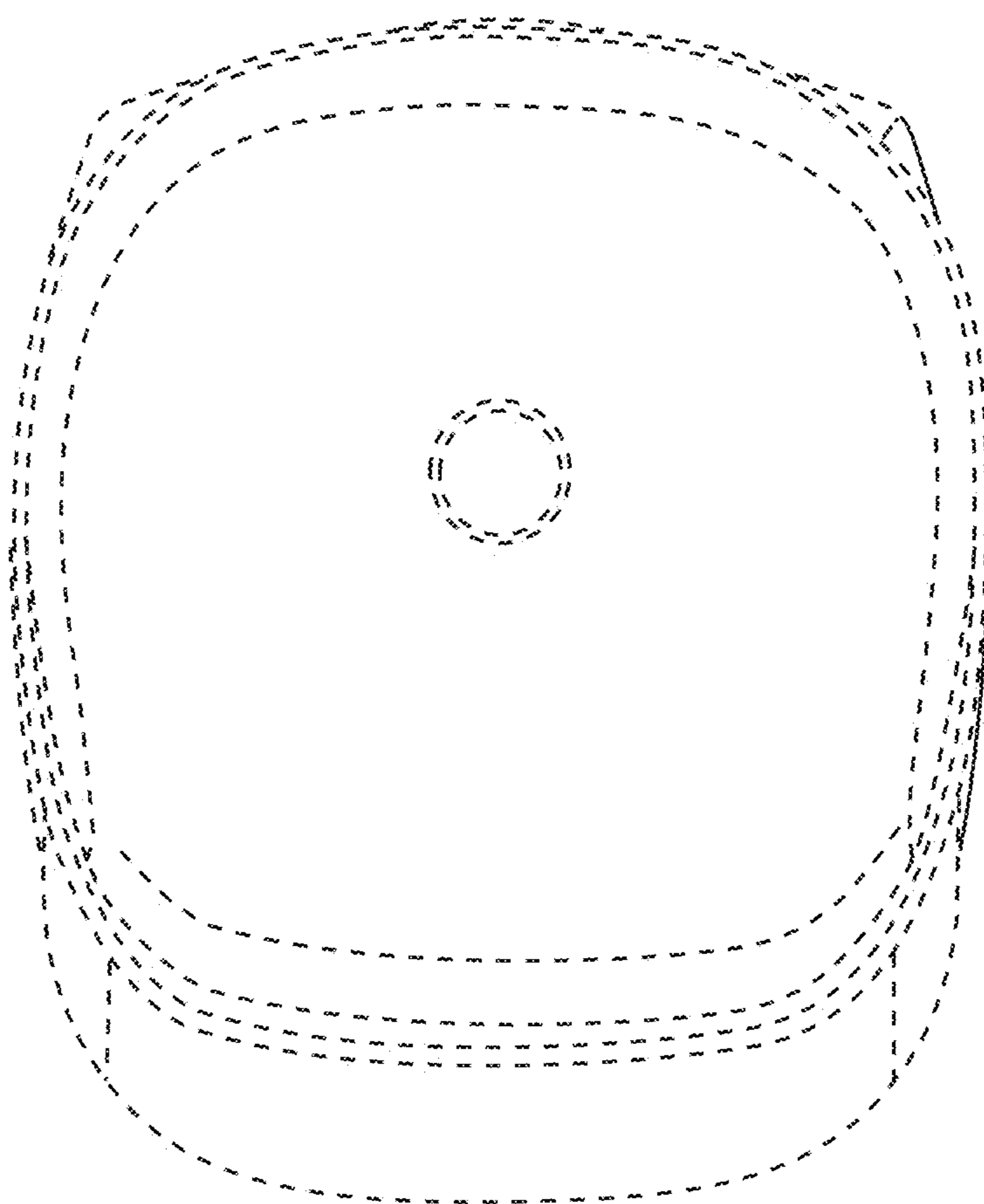


FIG. 6

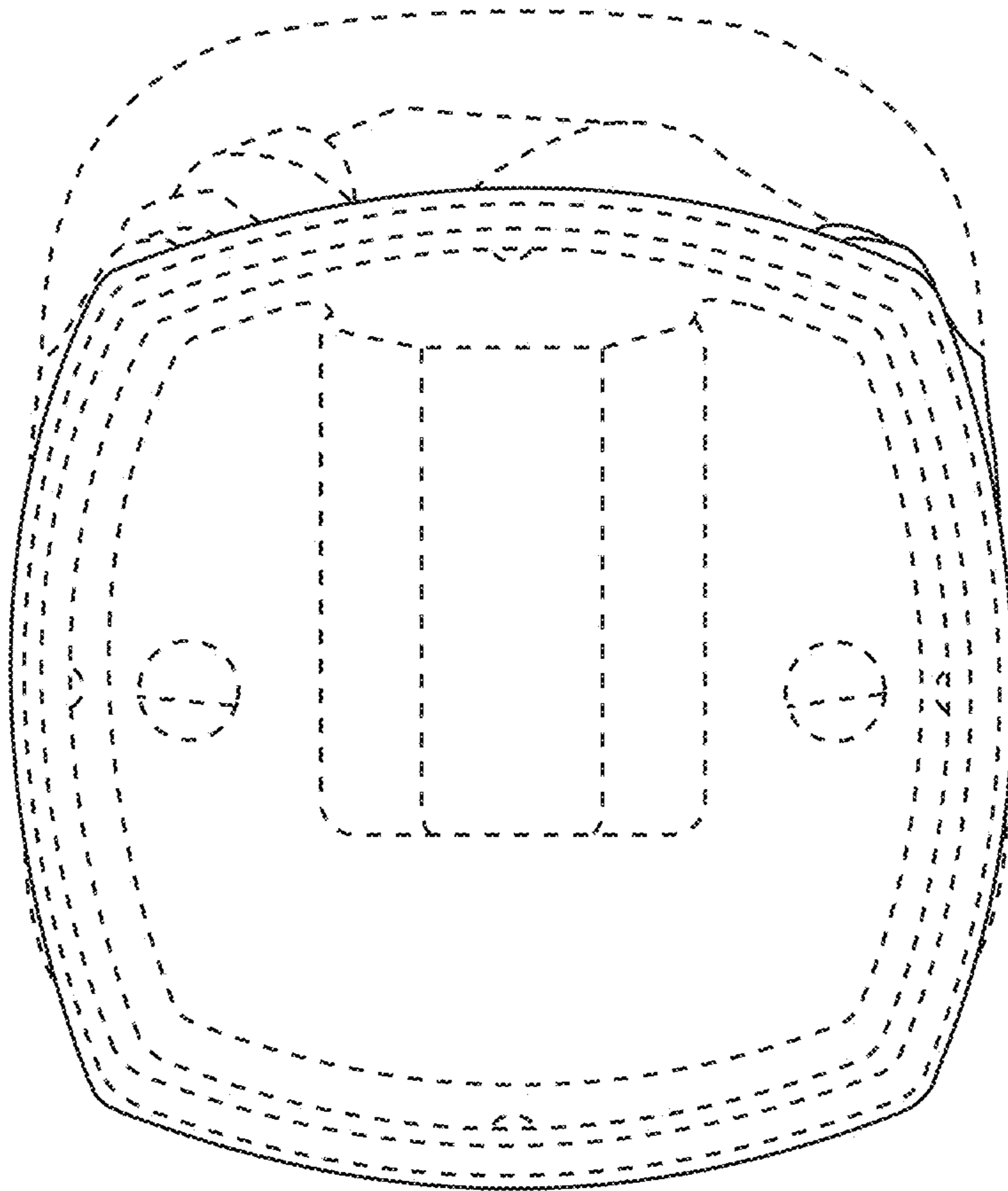


FIG. 7