



US00D887892S

(12) **United States Design Patent**
Liu

(10) **Patent No.:** **US D887,892 S**
(45) **Date of Patent:** **** Jun. 23, 2020**

- (54) **SEED TRAY**
- (71) Applicant: **Qinbin Liu**, Shenzhen (CN)
- (72) Inventor: **Qinbin Liu**, Shenzhen (CN)
- (**) Term: **15 Years**
- (21) Appl. No.: **29/730,188**
- (22) Filed: **Apr. 2, 2020**
- (51) **LOC (12) Cl.** **11-02**
- (52) **U.S. Cl.**
USPC **D11/155**
- (58) **Field of Classification Search**
USPC D11/143–156, 164; D3/304, 310, 313,
D3/314; D7/701
CPC A01G 31/02; A01G 9/02; A01G 9/021;
A01G 9/022; A01G 9/026; A01G 9/027;
A01G 9/028; A01G 9/029; A01G 9/033;
A47G 7/00; A47G 7/02; A47G 7/04;
A47G 7/041; A47G 7/044; A47G 7/047;
A47G 7/06; A47G 7/063; A47G 7/08
See application file for complete search history.

- D317,670 S * 6/1991 Apps D3/314
 - 5,230,601 A * 7/1993 Apps B65D 21/0212
414/788.2
 - 5,316,172 A * 5/1994 Apps B65D 21/0212
220/519
 - D347,722 S * 6/1994 Apps D3/314
 - D364,813 S * 12/1995 Breton D9/456
 - 5,575,390 A * 11/1996 Apps B65D 21/0212
206/503
 - D561,025 S * 2/2008 Gilfert D9/456
 - D616,270 S * 5/2010 Kulzer D7/701
 - D616,715 S * 6/2010 Kulzer D7/701
 - D619,860 S * 7/2010 Kulzer D7/553.2
 - D628,450 S * 12/2010 Kulzer D7/553.2
- (Continued)

(56) **References Cited**

U.S. PATENT DOCUMENTS

- D125,467 S * 2/1941 De Reamer D9/757
- 2,378,627 A * 6/1945 Grant B65D 85/322
217/26.5
- 2,965,226 A * 12/1960 Ettlinger, Jr. A47L 19/04
206/564
- 3,032,927 A * 5/1962 Kobs B65D 85/52
47/73
- 3,104,044 A * 9/1963 Reifers B65D 1/34
229/407
- 3,369,659 A * 2/1968 Ettlinger, Jr. B65D 71/70
206/564
- 4,195,743 A * 4/1980 Emery B65D 1/36
206/511
- 4,896,774 A * 1/1990 Hammett B65D 71/70
206/427

OTHER PUBLICATIONS

“4 PCS/lot Nursery Pots in Flower & Planters Cell Seed Starter Starting Trays for Planting Seedlings Propagation Germination”, Retrieved Apr. 1, 2020]. Retrieved from Internet, [*Primary Examiner* — Elizabeth A. Albert](https://www.aliexpress.com/item/4000358367236.html?spm=a2g0o.productlist.0.0.1b3d761b8pKI3a&algo_pvid=d285b6e0-6051-47d6-b1f5-b76592701bd8&algo_expid=d285b6e, Apr. 1, 2020.</p></div>
<div data-bbox=)

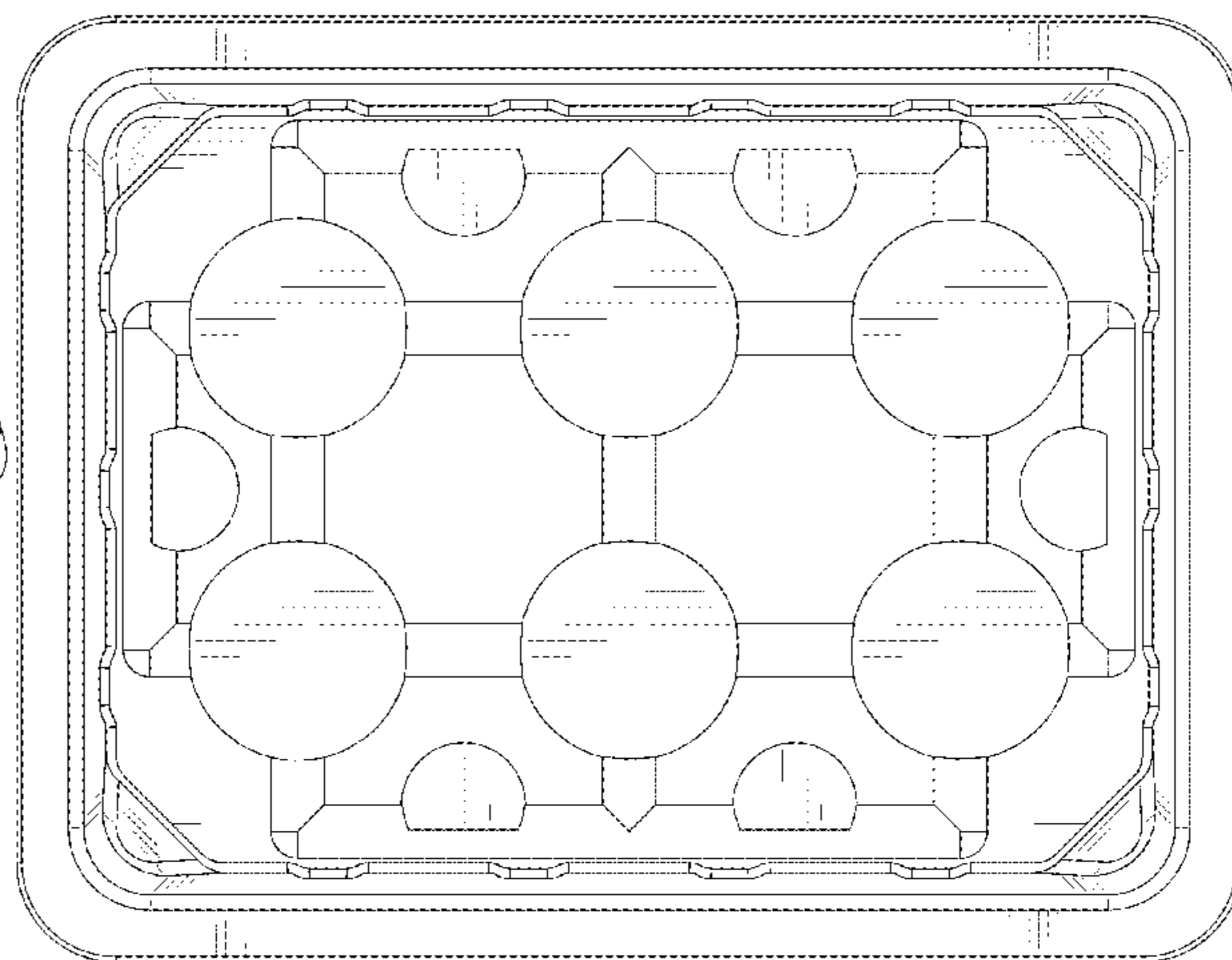
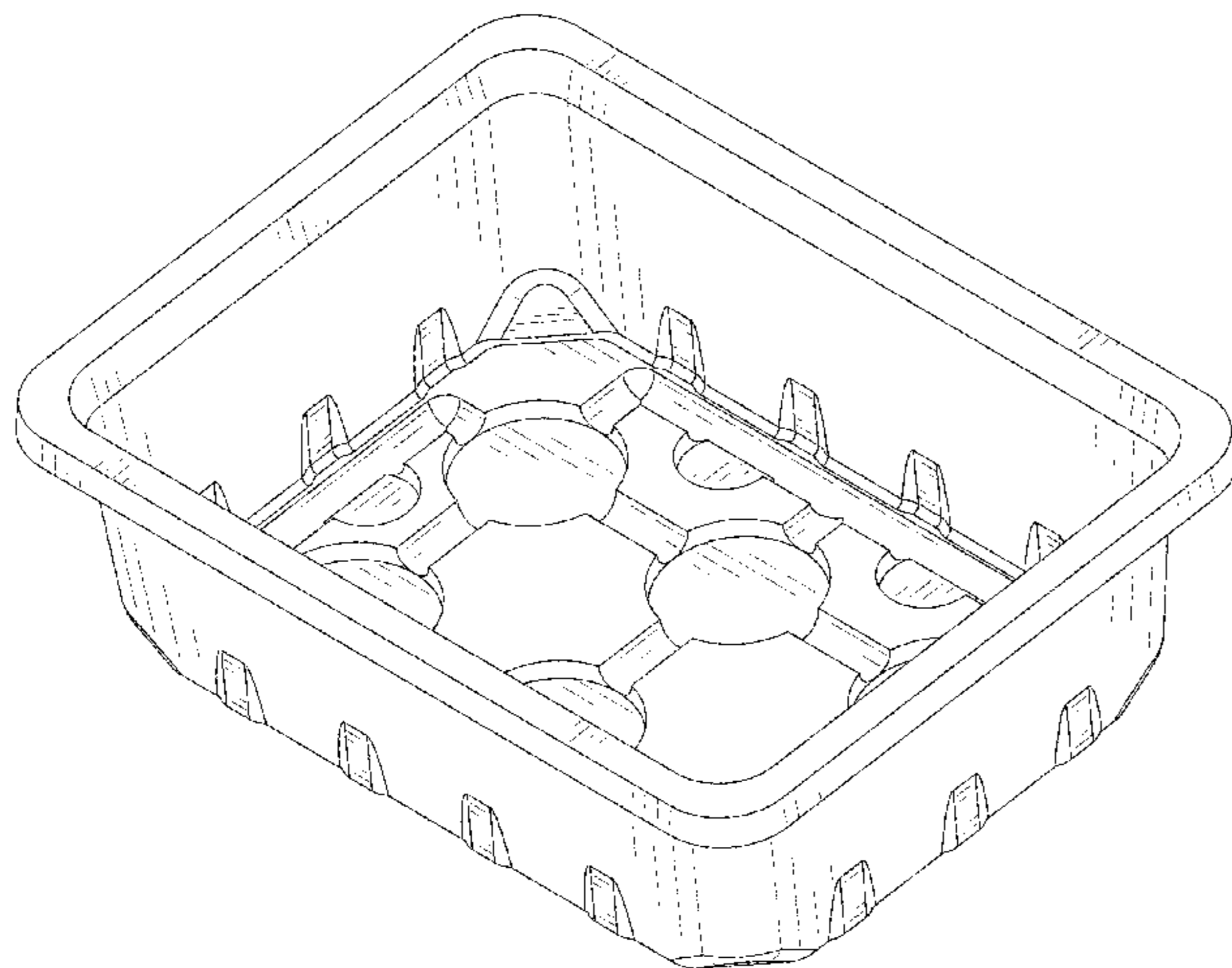
(57) **CLAIM**

The ornamental design for a seed tray, as shown and described.

DESCRIPTION

FIG. 1 is a perspective view of a seed tray showing my new design;
FIG. 2 is another perspective view thereof;
FIG. 3 is a front elevational view thereof;
FIG. 4 is a rear elevational view thereof;
FIG. 5 is a left side elevational view thereof;
FIG. 6 is a right side elevational view thereof;
FIG. 7 is a top plan view thereof; and,
FIG. 8 is a bottom plan view thereof.

1 Claim, 8 Drawing Sheets



(56)

References Cited

U.S. PATENT DOCUMENTS

8,727,121 B2 * 5/2014 Parikh B65D 1/36
206/503
D744,371 S * 12/2015 Lucey D11/156
D749,323 S * 2/2016 Stahl D3/308
D758,914 S * 6/2016 MacKenzie D11/143
D808,757 S * 1/2018 Kawamura D8/71
D816,454 S * 5/2018 Kawamura D8/71
D853,795 S * 7/2019 Bergeron D7/553.2
D871,675 S * 12/2019 Quinn D28/73
2018/0084735 A1 3/2018 Neetz

* cited by examiner

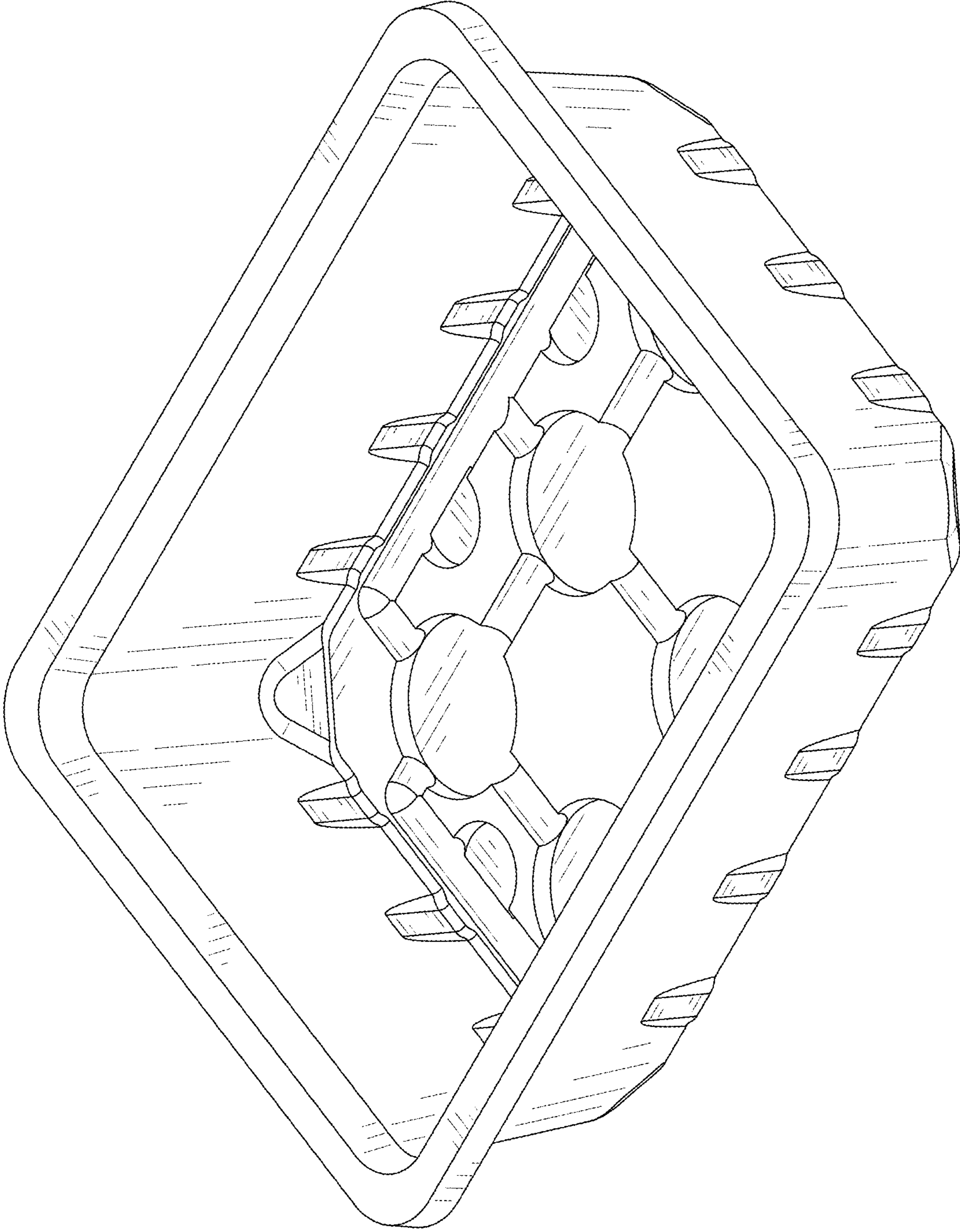


FIG. 1

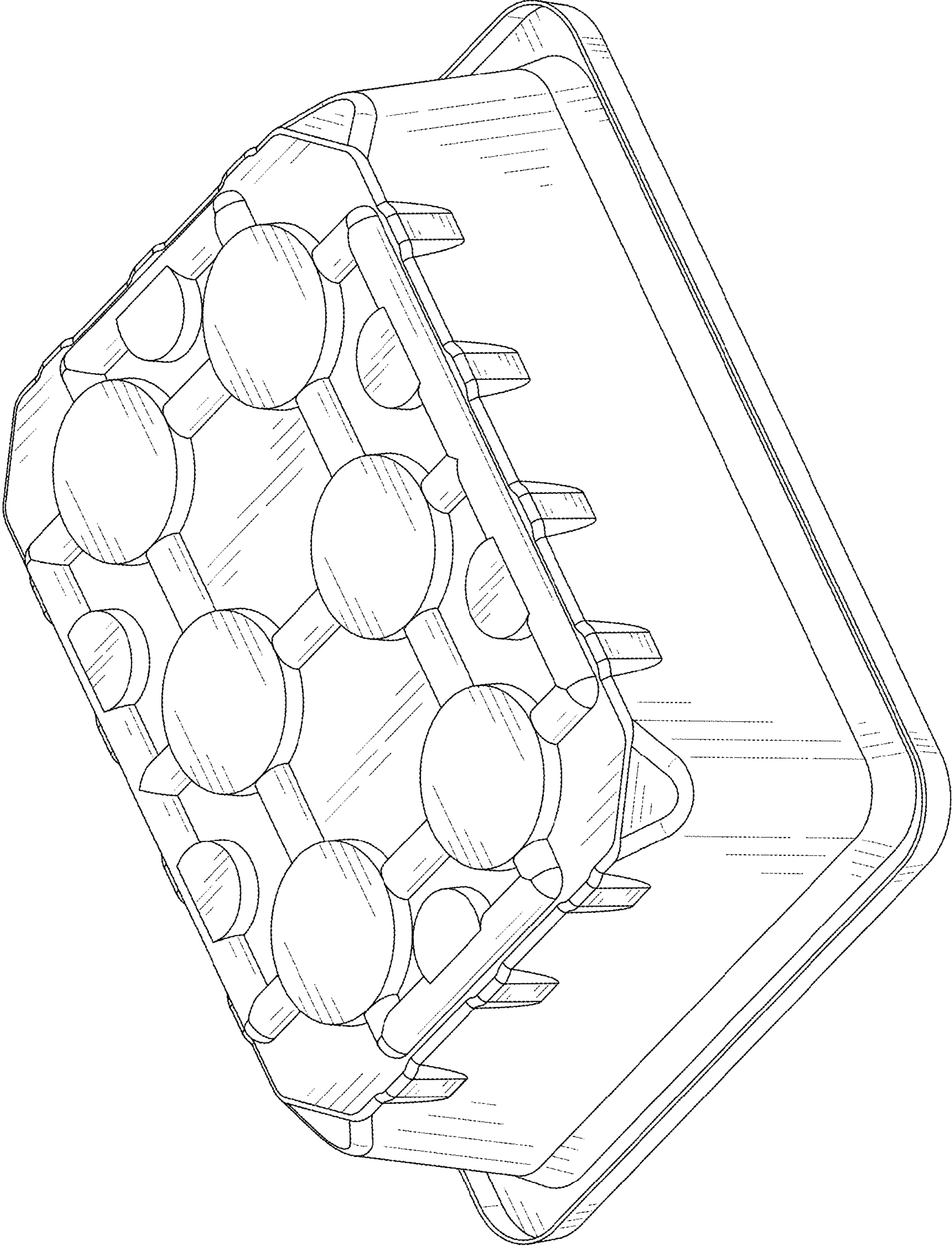


FIG. 2

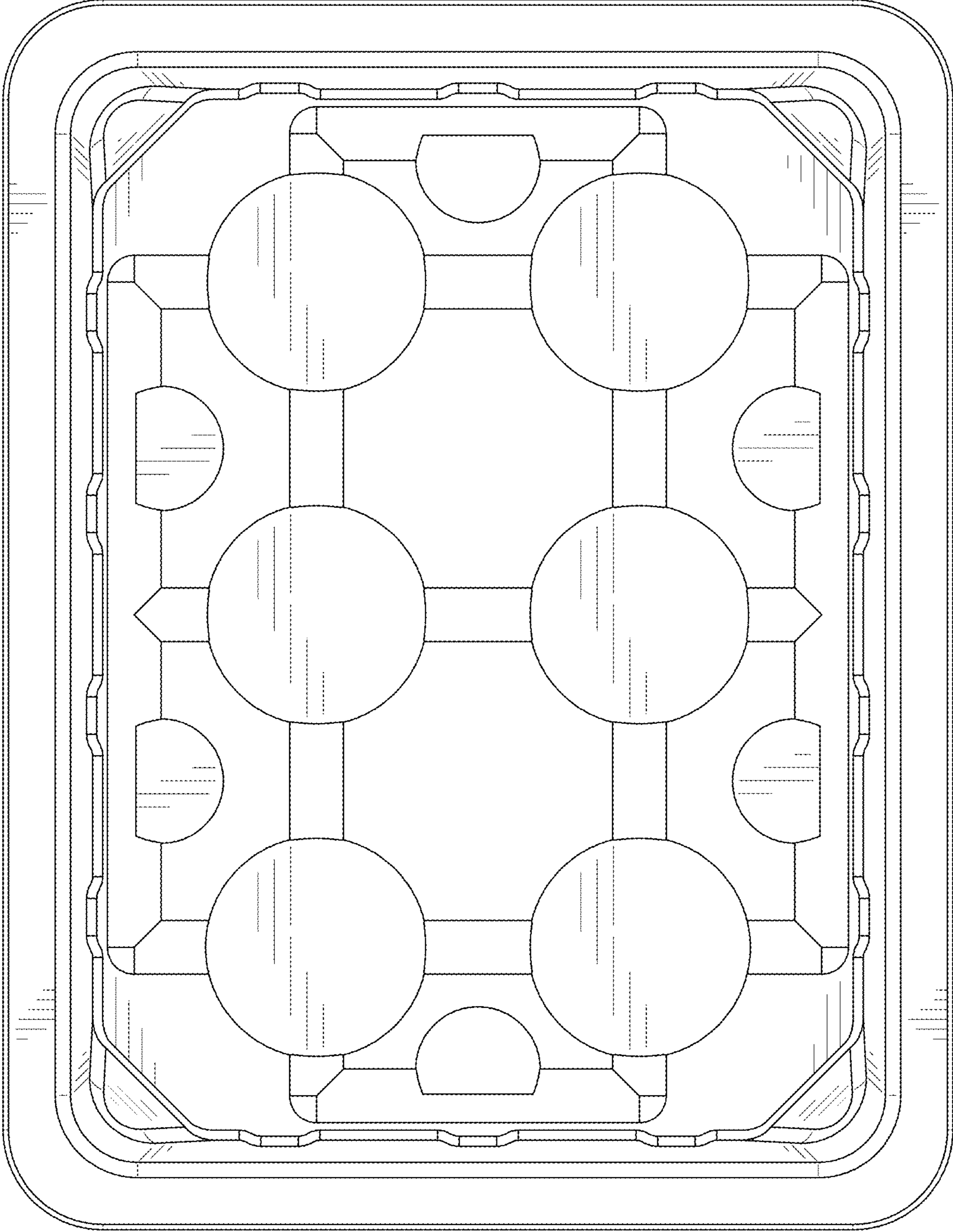


FIG. 3

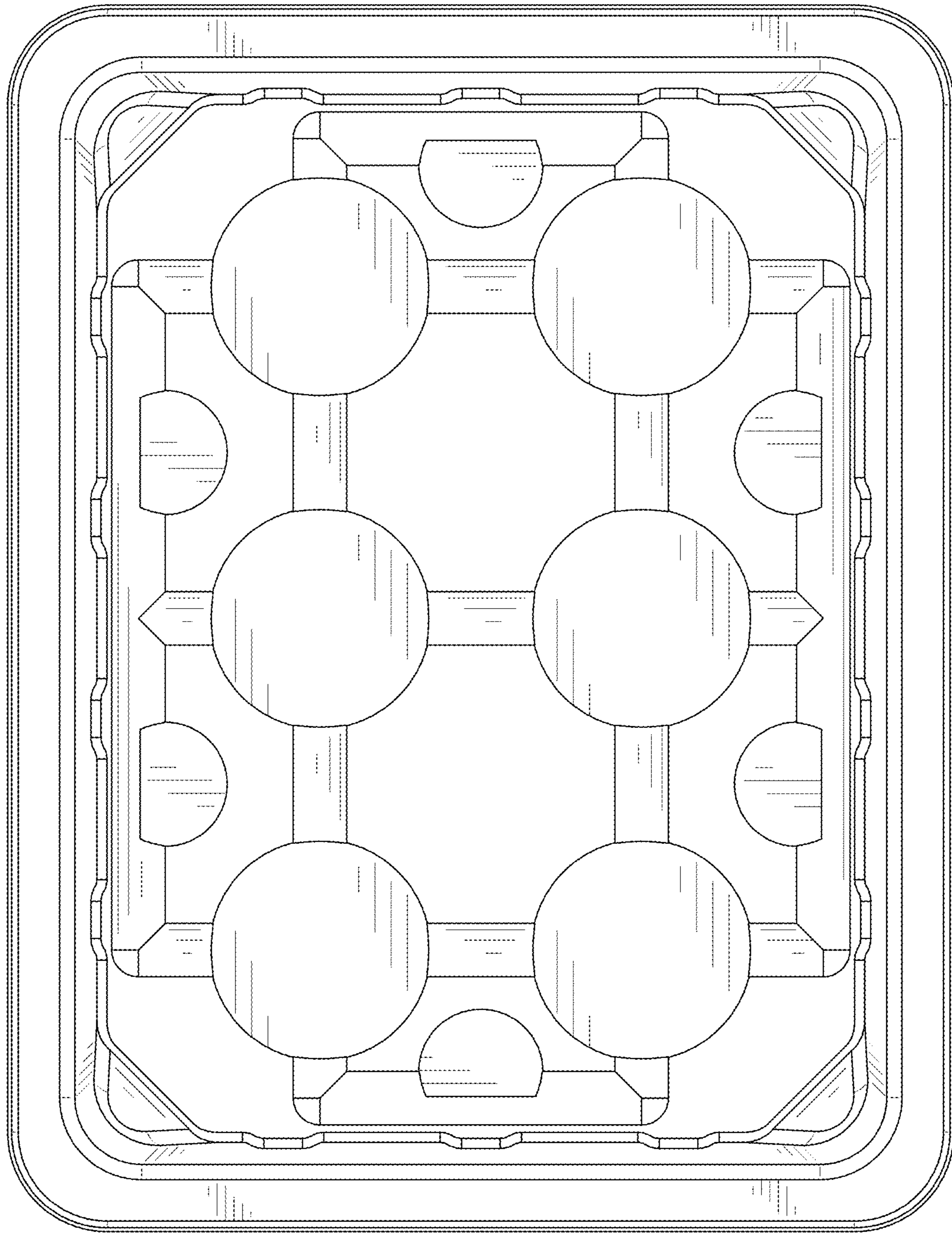


FIG. 4

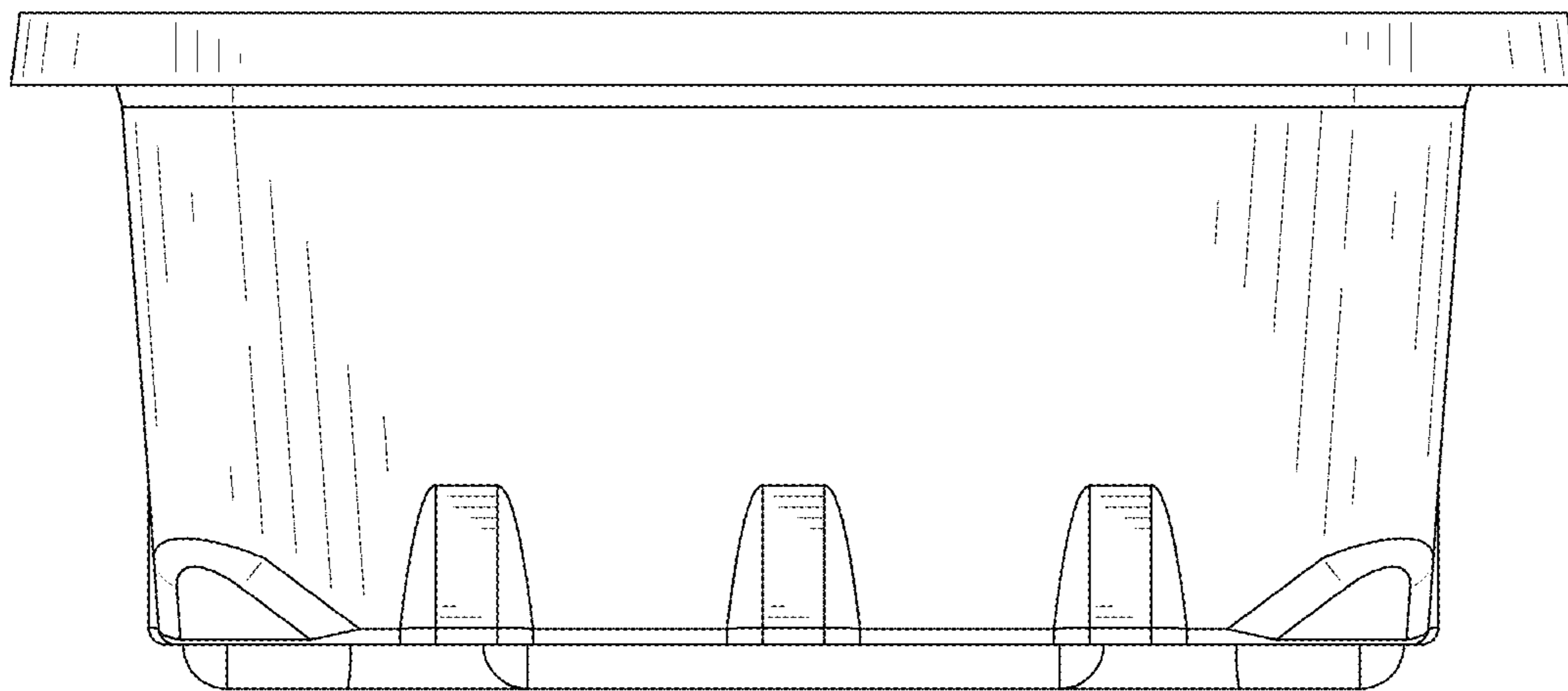


FIG. 5

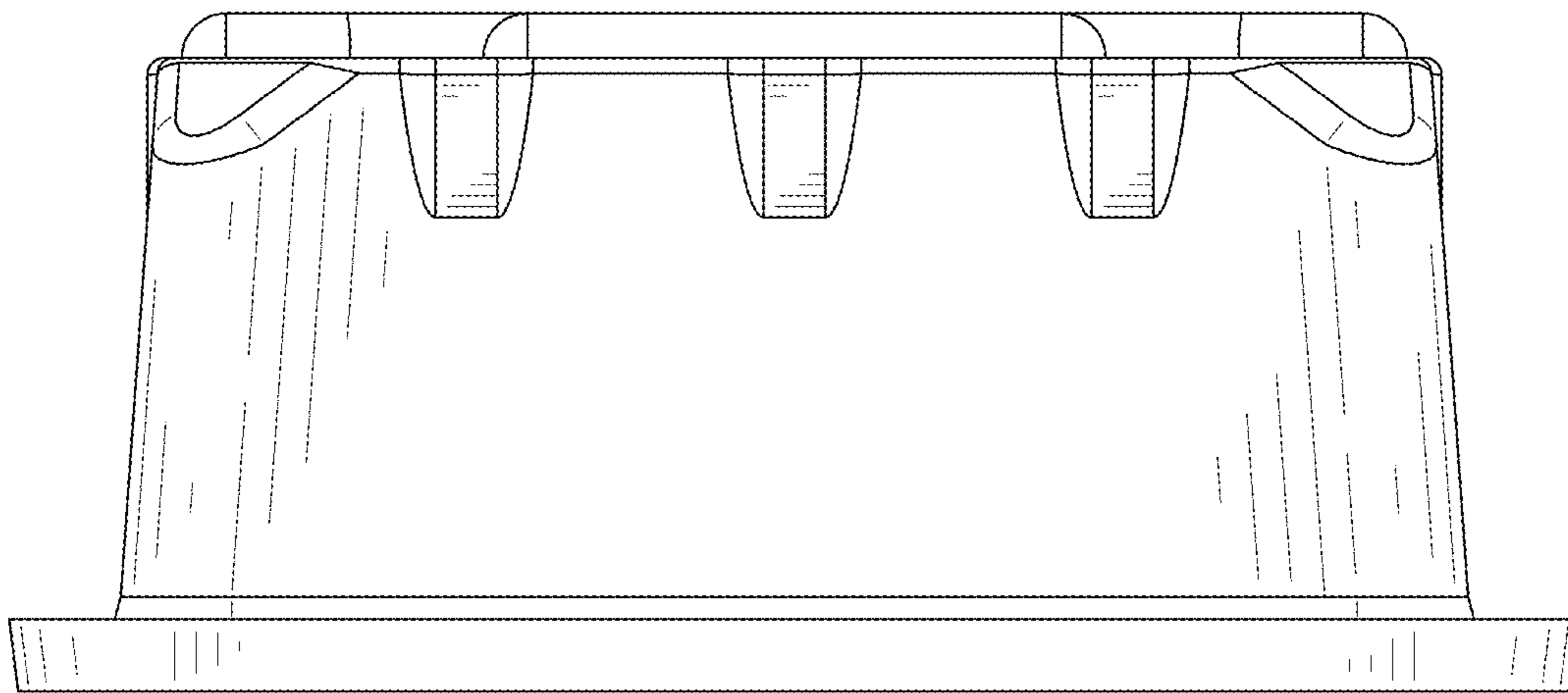


FIG. 6

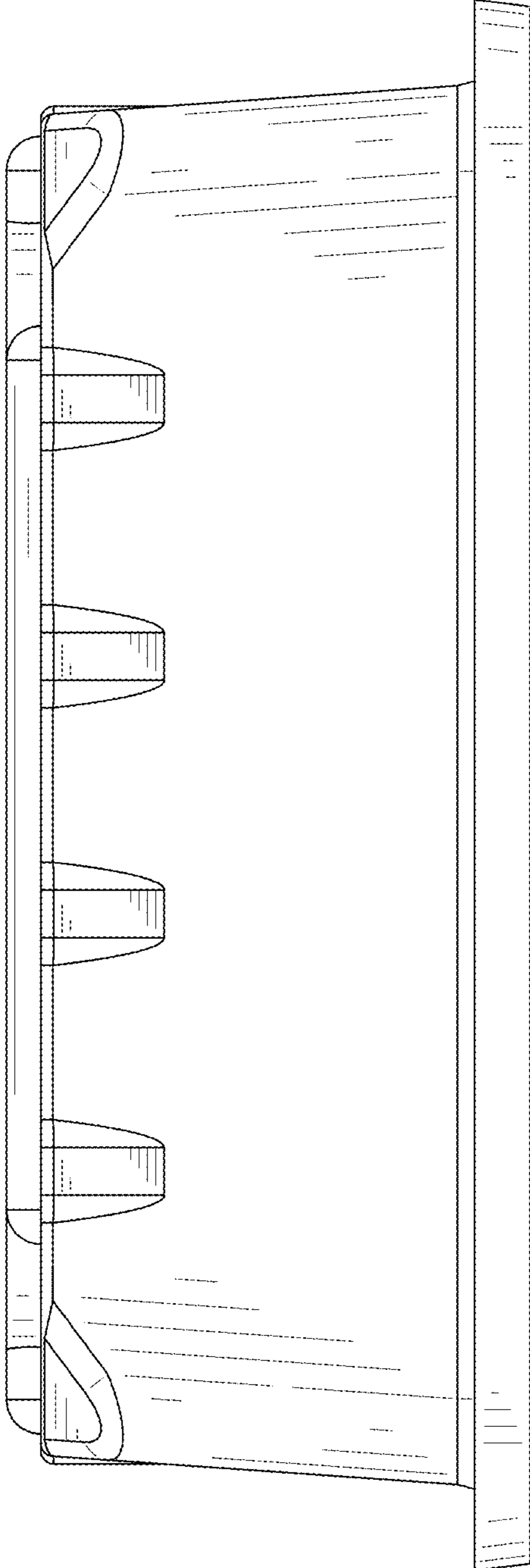


FIG. 7

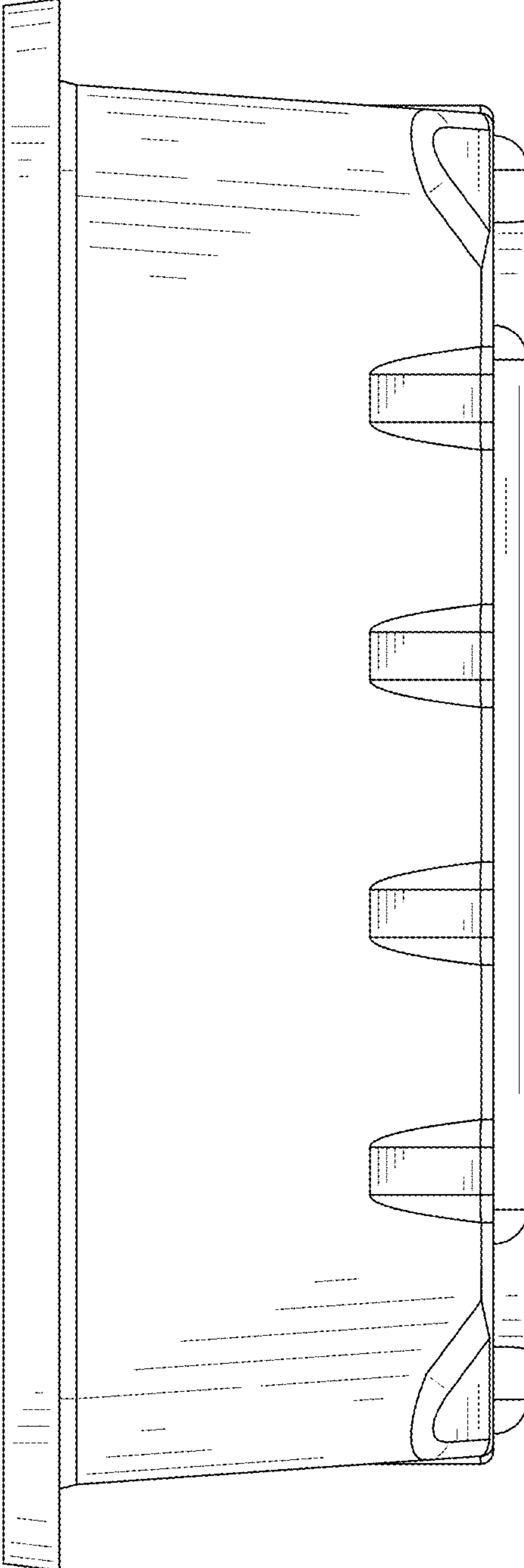


FIG. 8