



US00D887891S

(12) **United States Design Patent**  
**Liu**

(10) **Patent No.:** **US D887,891 S**  
(45) **Date of Patent:** **\*\* Jun. 23, 2020**

(54) **SEED TRAY**  
(71) Applicant: **Qinbin Liu**, Shenzhen (CN)  
(72) Inventor: **Qinbin Liu**, Shenzhen (CN)  
(\*\*) Term: **15 Years**  
(21) Appl. No.: **29/728,624**  
(22) Filed: **Mar. 19, 2020**  
(51) **LOC (12) Cl.** ..... **11-02**  
(52) **U.S. Cl.**  
USPC ..... **D11/155**  
(58) **Field of Classification Search**  
USPC ..... D11/143–156, 164; D3/304, 310, 313,  
D3/314; D7/701  
CPC ..... A01G 31/02; A01G 9/02; A01G 9/021;  
A01G 9/022; A01G 9/026; A01G 9/027;  
A01G 9/028; A01G 9/029; A01G 9/033;  
A47G 7/00; A47G 7/02; A47G 7/04;  
A47G 7/041; A47G 7/044; A47G 7/047;  
A47G 7/06; A47G 7/063; A47G 7/08  
See application file for complete search history.

3,420,402 A \* 1/1969 Frater ..... B65D 21/045  
206/507  
3,463,378 A \* 8/1969 Van Daalen ..... B65D 1/48  
229/164.2  
D247,025 S \* 1/1978 Cherry ..... D3/312  
4,195,743 A \* 4/1980 Emery ..... B65D 1/36  
206/511  
D284,953 S \* 8/1986 Kaneko ..... D11/155  
4,896,774 A \* 1/1990 Hammett ..... B65D 71/70  
206/427  
D317,670 S \* 6/1991 Apps ..... D3/314  
5,230,601 A \* 7/1993 Apps ..... B65D 21/0212  
414/788.2  
5,316,172 A \* 5/1994 Apps ..... B65D 21/0212  
220/519  
D347,722 S \* 6/1994 Apps ..... D3/314  
D364,813 S \* 12/1995 Breton ..... D9/456  
5,575,390 A \* 11/1996 Apps ..... B65D 21/0212  
206/503  
D561,025 S \* 2/2008 Giftert ..... D9/456  
D616,270 S \* 5/2010 Kulzer ..... D7/701  
D616,715 S \* 6/2010 Kulzer ..... D7/701  
D619,860 S \* 7/2010 Kulzer ..... D7/553.2  
D628,450 S \* 12/2010 Kulzer ..... D7/553.2

(Continued)

*Primary Examiner* — Elizabeth A. Albert

(57) **CLAIM**

The ornamental design for a seed tray, as shown and described.

(56) **References Cited**

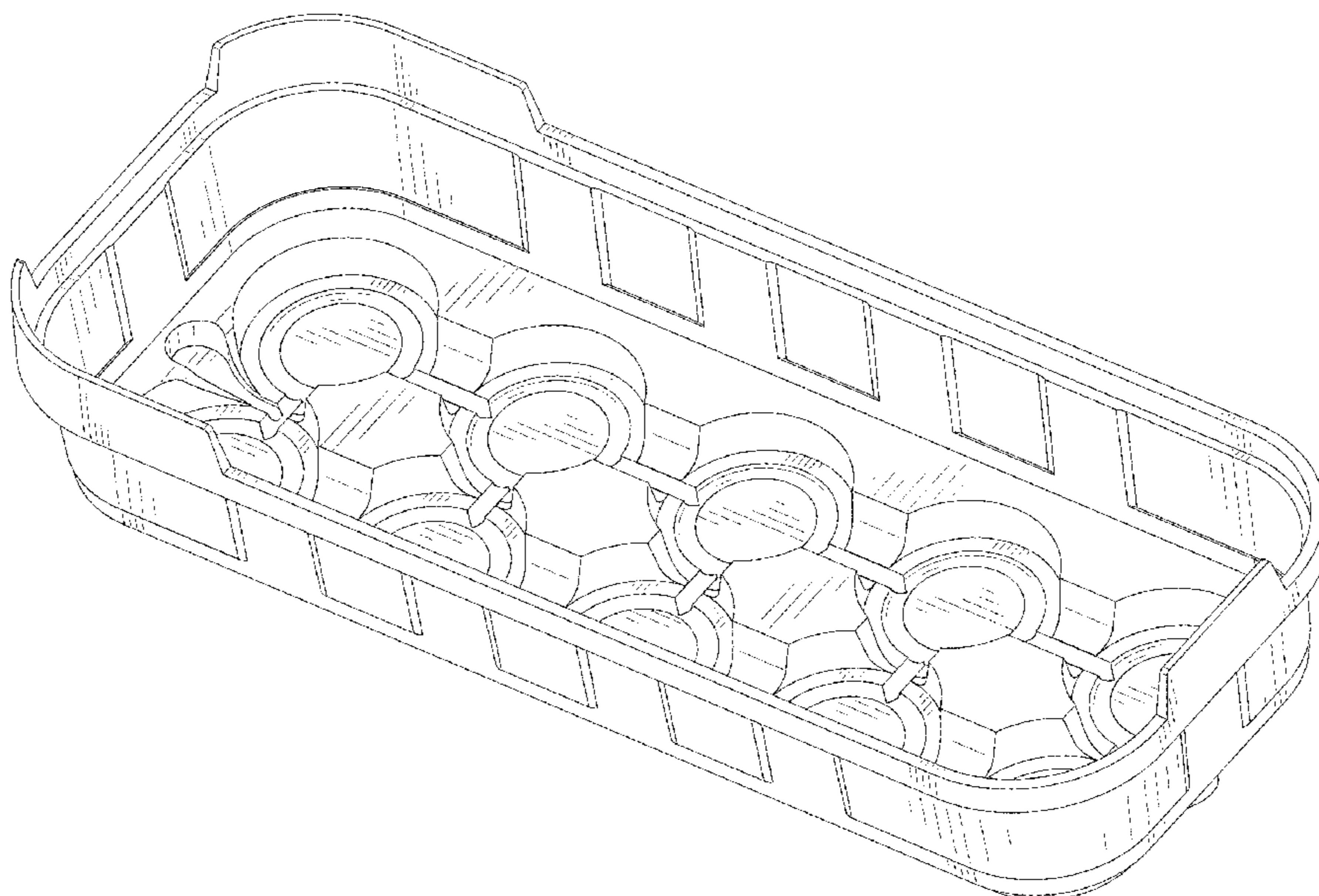
U.S. PATENT DOCUMENTS

D125,467 S \* 2/1941 De Reamer ..... D9/757  
2,334,902 A \* 11/1943 Buttery ..... B65D 5/3642  
229/117.07  
2,378,627 A \* 6/1945 Grant ..... B65D 85/322  
217/26.5  
2,965,226 A \* 12/1960 Ettlinger, Jr. .... A47L 19/04  
206/564  
3,032,927 A \* 5/1962 Kobs ..... B65D 85/52  
47/73  
3,104,044 A \* 9/1963 Reifers ..... B65D 1/34  
229/407  
3,369,659 A \* 2/1968 Ettlinger, Jr. .... B65D 71/70  
206/564

**DESCRIPTION**

FIG. 1 is a perspective view of a seed tray showing my new design;  
FIG. 2 is another perspective view thereof;  
FIG. 3 is a front elevational view thereof;  
FIG. 4 is a rear elevational view thereof;  
FIG. 5 is a left side elevational view thereof;  
FIG. 6 is a right side elevational view thereof;  
FIG. 7 is a top plan view thereof; and,  
FIG. 8 is a bottom plan view thereof.

**1 Claim, 8 Drawing Sheets**



(56)

**References Cited**

U.S. PATENT DOCUMENTS

8,727,121 B2 \* 5/2014 Parikh ..... B65D 1/36  
206/503  
D744,371 S \* 12/2015 Lucey ..... D11/156  
D749,323 S \* 2/2016 Stahl ..... D3/308  
D758,914 S \* 6/2016 MacKenzie ..... D11/143  
D808,757 S \* 1/2018 Kawamura ..... D8/71  
D816,454 S \* 5/2018 Kawamura ..... D8/71  
D853,795 S \* 7/2019 Bergeron ..... D7/553.2  
D871,675 S \* 12/2019 Quinn ..... D28/73  
2018/0084735 A1 3/2018 Neetz

\* cited by examiner

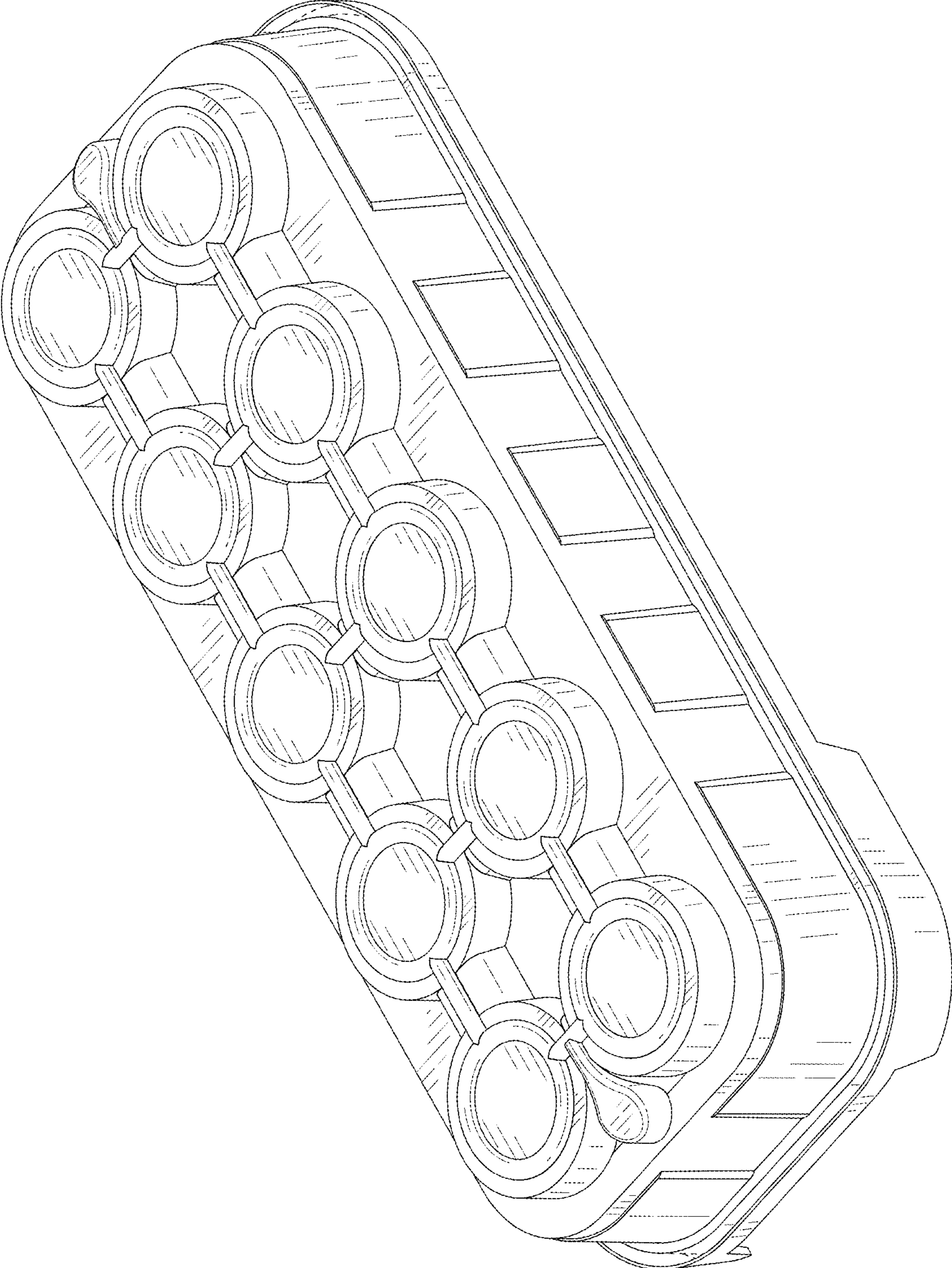


FIG. 1

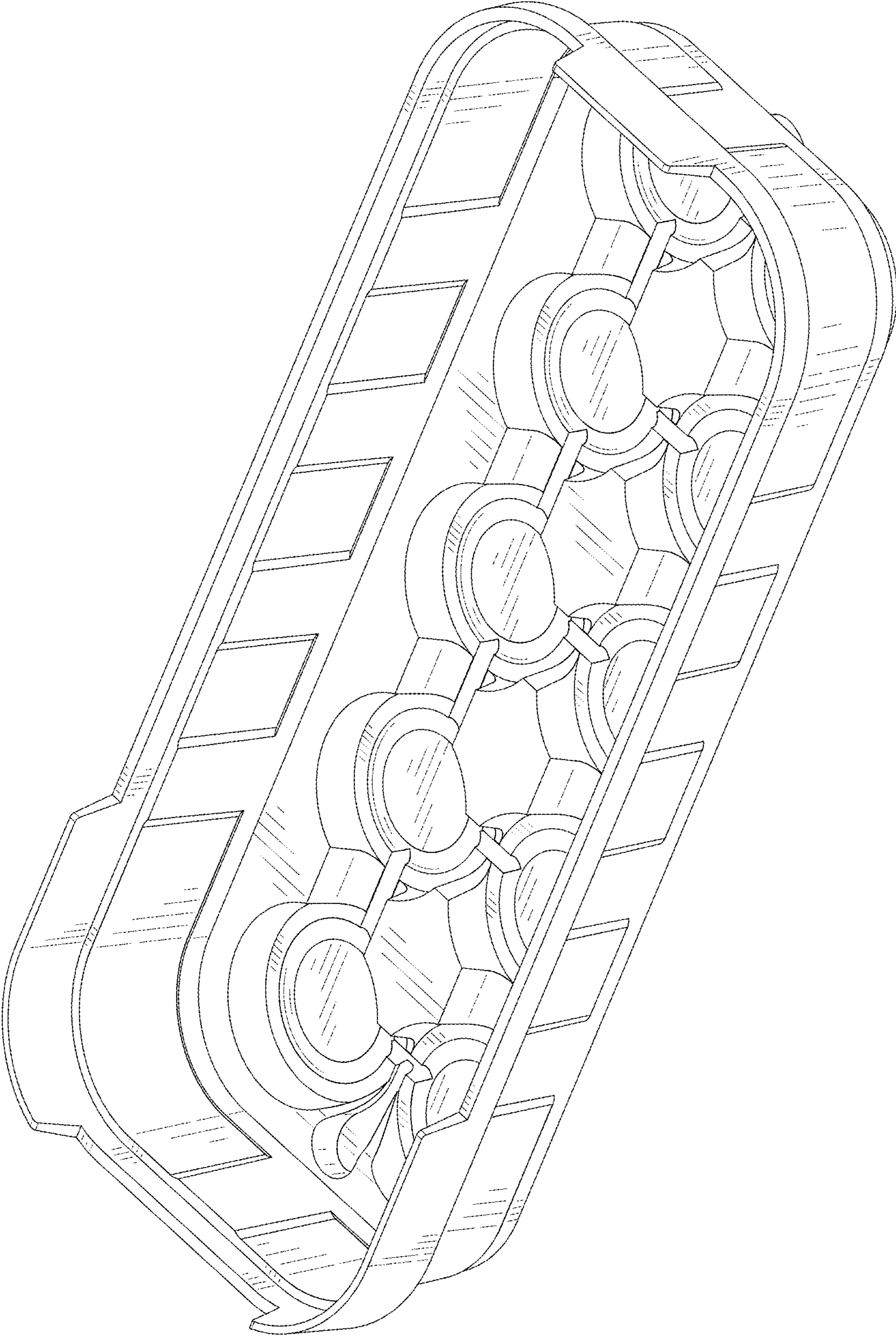


FIG. 2

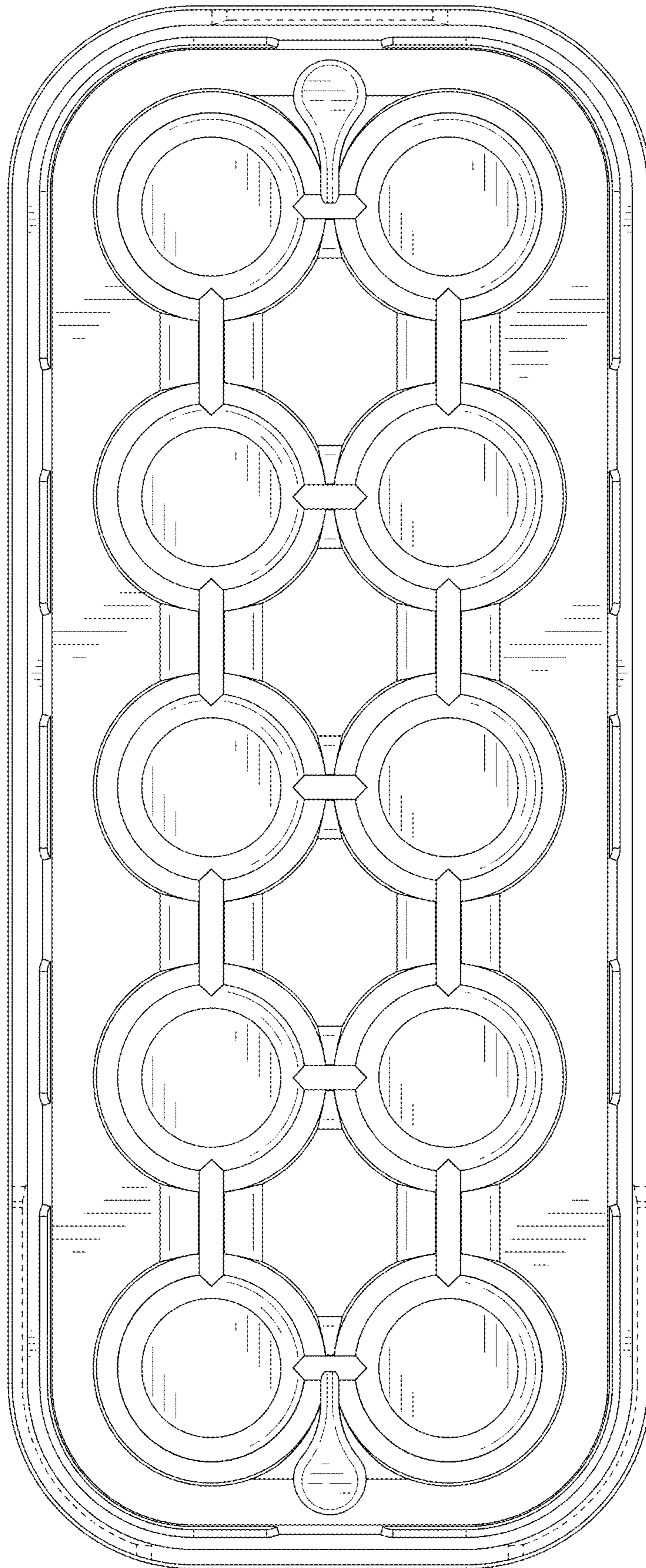


FIG. 3

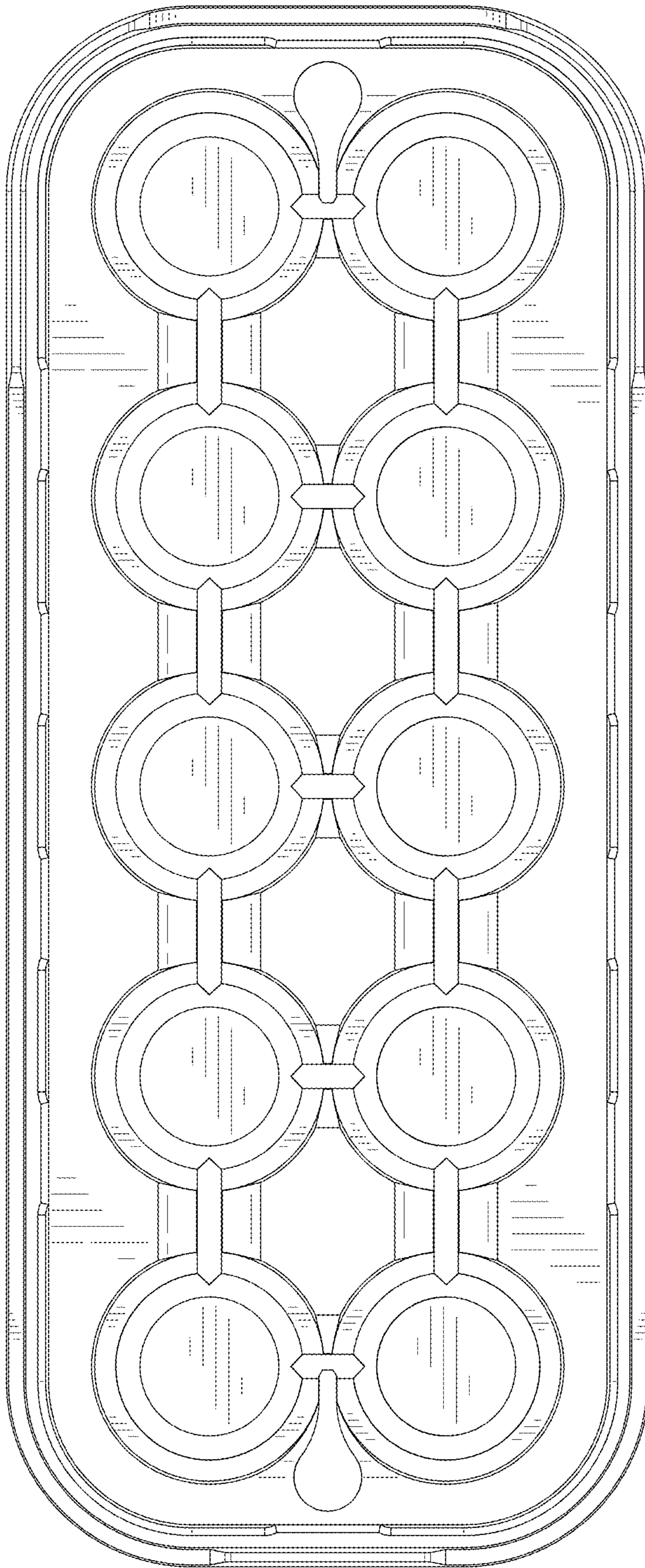


FIG. 4

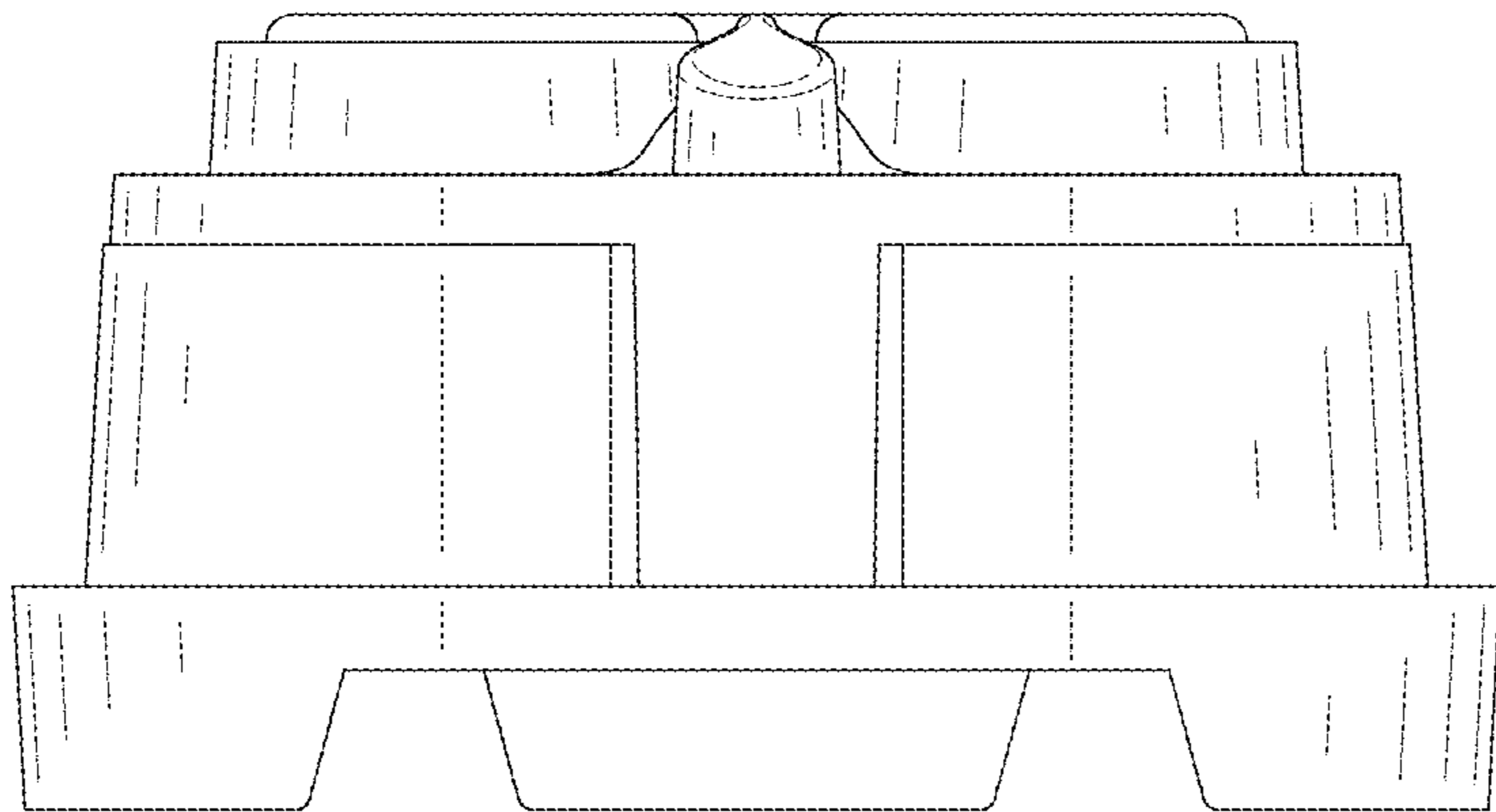


FIG. 5

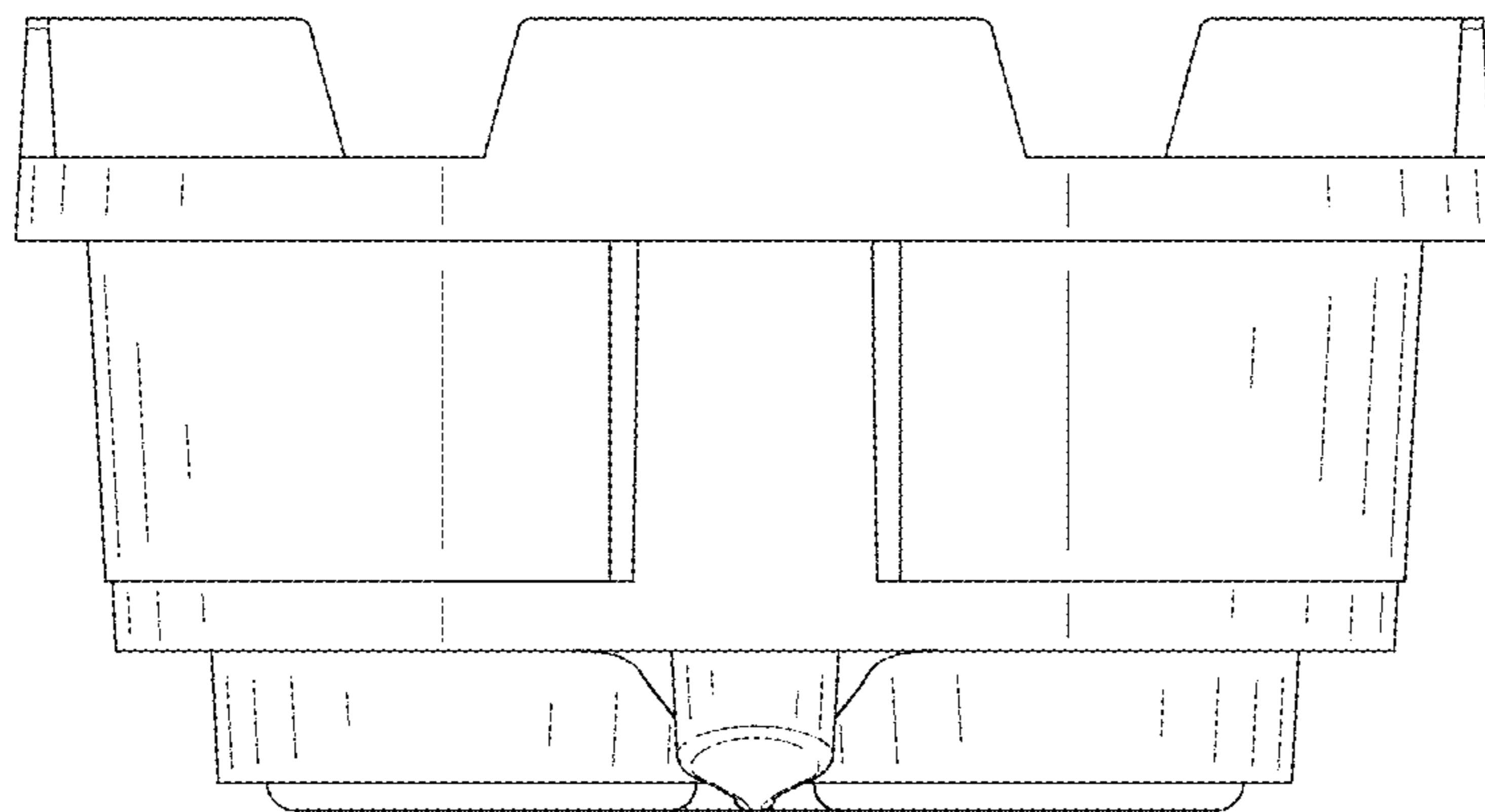


FIG. 6



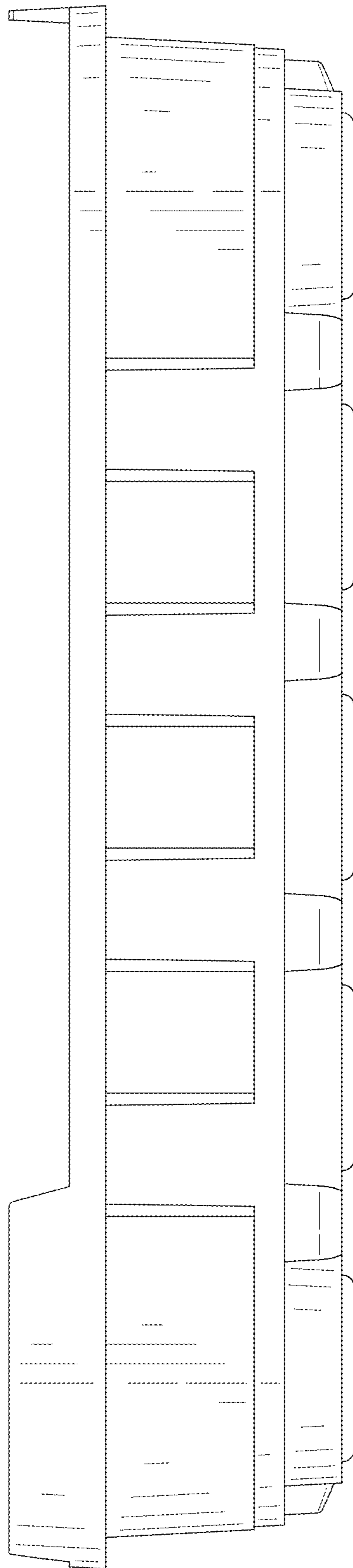


FIG. 7

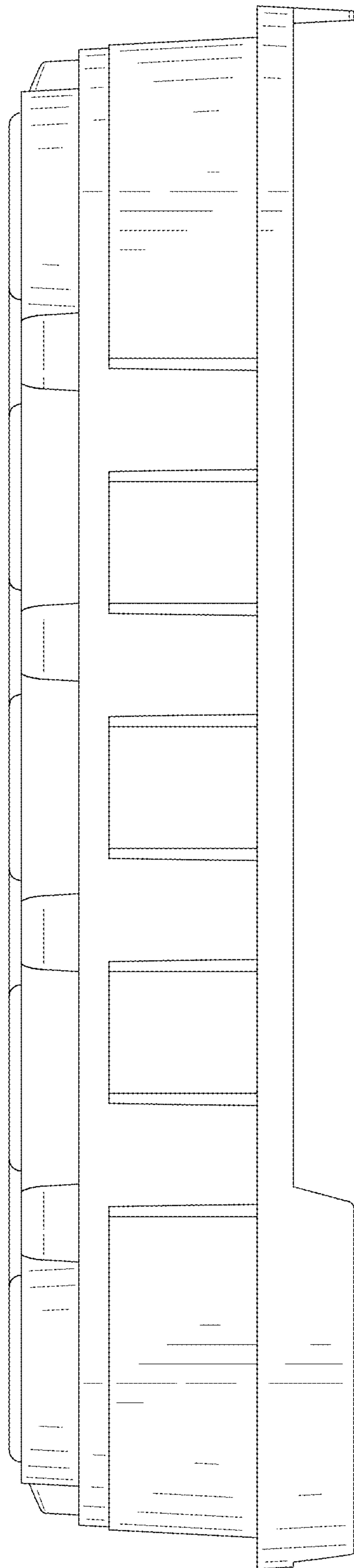


FIG. 8