



US00D887890S

(12) **United States Design Patent**  
**Liu**

(10) **Patent No.:** **US D887,890 S**

(45) **Date of Patent:** **\*\* Jun. 23, 2020**

- (54) **SEED TRAY**
- (71) Applicant: **Qinbin Liu**, Shenzhen (CN)
- (72) Inventor: **Qinbin Liu**, Shenzhen (CN)
- (\*\*) Term: **15 Years**
- (21) Appl. No.: **29/727,597**
- (22) Filed: **Mar. 12, 2020**
- (51) **LOC (12) Cl.** ..... **11-02**
- (52) **U.S. Cl.**  
USPC ..... **D11/155**
- (58) **Field of Classification Search**  
USPC ..... D11/143-156, 164; D3/304, 310, 313,  
D3/314; D7/701  
CPC ..... A01G 31/02; A01G 9/02; A01G 9/021;  
A01G 9/022; A01G 9/026; A01G 9/027;  
A01G 9/028; A01G 9/029; A01G 9/033;  
A47G 7/00; A47G 7/02; A47G 7/04;  
A47G 7/041; A47G 7/044; A47G 7/047;  
A47G 7/06; A47G 7/063; A47G 7/08  
See application file for complete search history.

(56) **References Cited**

**U.S. PATENT DOCUMENTS**

- D125,467 S \* 2/1941 De Reamer ..... D9/757
- 2,378,627 A \* 6/1945 Grant ..... B65D 85/322  
217/26.5
- 2,965,226 A \* 12/1960 Ettlenger, Jr. .... A47L 19/04  
206/564
- 3,032,927 A \* 5/1962 Kobs ..... B65D 85/52  
47/73
- 3,104,044 A \* 9/1963 Reifers ..... B65D 1/34  
229/407
- 3,369,659 A \* 2/1968 Ettlenger, Jr. .... B65D 71/70  
206/564
- 3,420,402 A \* 1/1969 Frater ..... B65D 21/045  
206/507
- 4,195,743 A \* 4/1980 Emery ..... B65D 1/36  
206/511
- D284,953 S \* 8/1986 Kaneko ..... D11/155

- 4,896,774 A \* 1/1990 Hammett ..... B65D 71/70  
206/427
- D317,670 S \* 6/1991 Apps ..... D3/314
- 5,230,601 A \* 7/1993 Apps ..... B65D 21/0212  
414/788.2
- 5,316,172 A \* 5/1994 Apps ..... B65D 21/0212  
220/519
- D347,722 S \* 6/1994 Apps ..... D3/314
- D364,813 S \* 12/1995 Breton ..... D9/456
- 5,575,390 A \* 11/1996 Apps ..... B65D 21/0212  
206/503
- D561,025 S \* 2/2008 Gilfert ..... D9/456

(Continued)

*Primary Examiner* — Elizabeth A. Albert

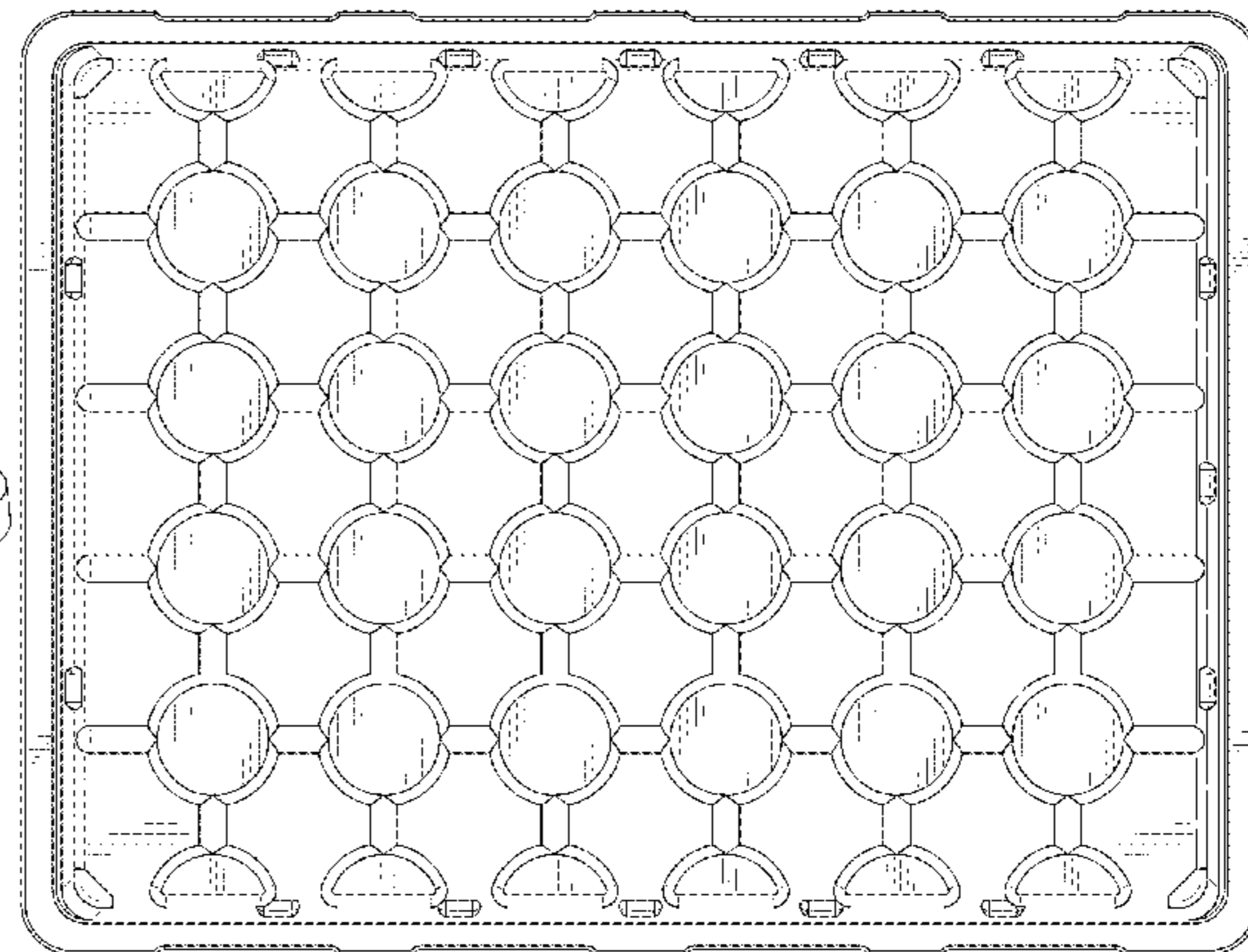
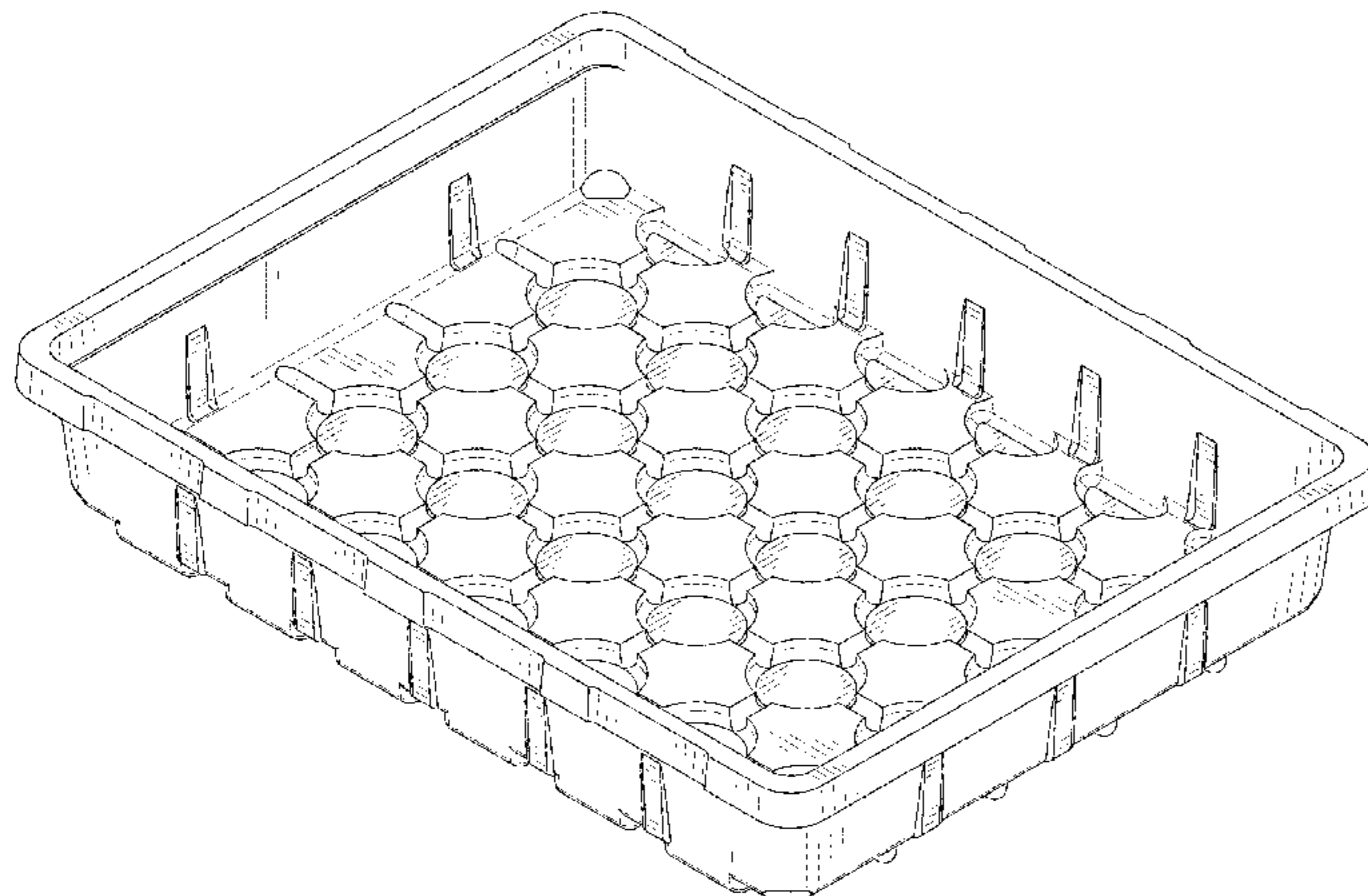
(57) **CLAIM**

The ornamental design for a seed tray, as shown and described.

**DESCRIPTION**

FIG. 1 is a perspective view of a first embodiment of a seed tray showing my new design;  
 FIG. 2 is another perspective view thereof;  
 FIG. 3 is a front elevational view thereof;  
 FIG. 4 is a rear elevational view thereof;  
 FIG. 5 is a left side elevational view thereof;  
 FIG. 6 is a right side elevational view thereof;  
 FIG. 7 is a top plan view thereof;  
 FIG. 8 is a bottom plan view thereof;  
 FIG. 9 is a perspective view of a second embodiment of the seed tray showing my new design;  
 FIG. 10 is another perspective view thereof;  
 FIG. 11 is a front elevational view thereof;  
 FIG. 12 is a rear elevational view thereof;  
 FIG. 13 is a left side elevational view thereof;  
 FIG. 14 is a right side elevational view thereof;  
 FIG. 15 is a top plan view thereof; and,  
 FIG. 16 is a bottom plan view thereof.

**1 Claim, 16 Drawing Sheets**



(56)

**References Cited**

U.S. PATENT DOCUMENTS

D616,270 S \* 5/2010 Kulzer ..... D7/701  
D616,715 S \* 6/2010 Kulzer ..... D7/701  
D619,860 S \* 7/2010 Kulzer ..... D7/553.2  
D628,450 S \* 12/2010 Kulzer ..... D7/553.2  
8,727,121 B2 \* 5/2014 Parikh ..... B65D 1/36  
206/503  
D744,371 S \* 12/2015 Lucey ..... D11/156  
D749,323 S \* 2/2016 Stahl ..... D3/308  
D758,914 S \* 6/2016 MacKenzie ..... D11/143  
D808,757 S \* 1/2018 Kawamura ..... D8/71  
D816,454 S \* 5/2018 Kawamura ..... D8/71  
D853,795 S \* 7/2019 Bergeron ..... D7/553.2  
D871,675 S \* 12/2019 Quinn ..... D28/73  
D871,676 S \* 12/2019 Quinn ..... D28/73  
2008/0120903 A1 5/2008 Fair et al.

\* cited by examiner

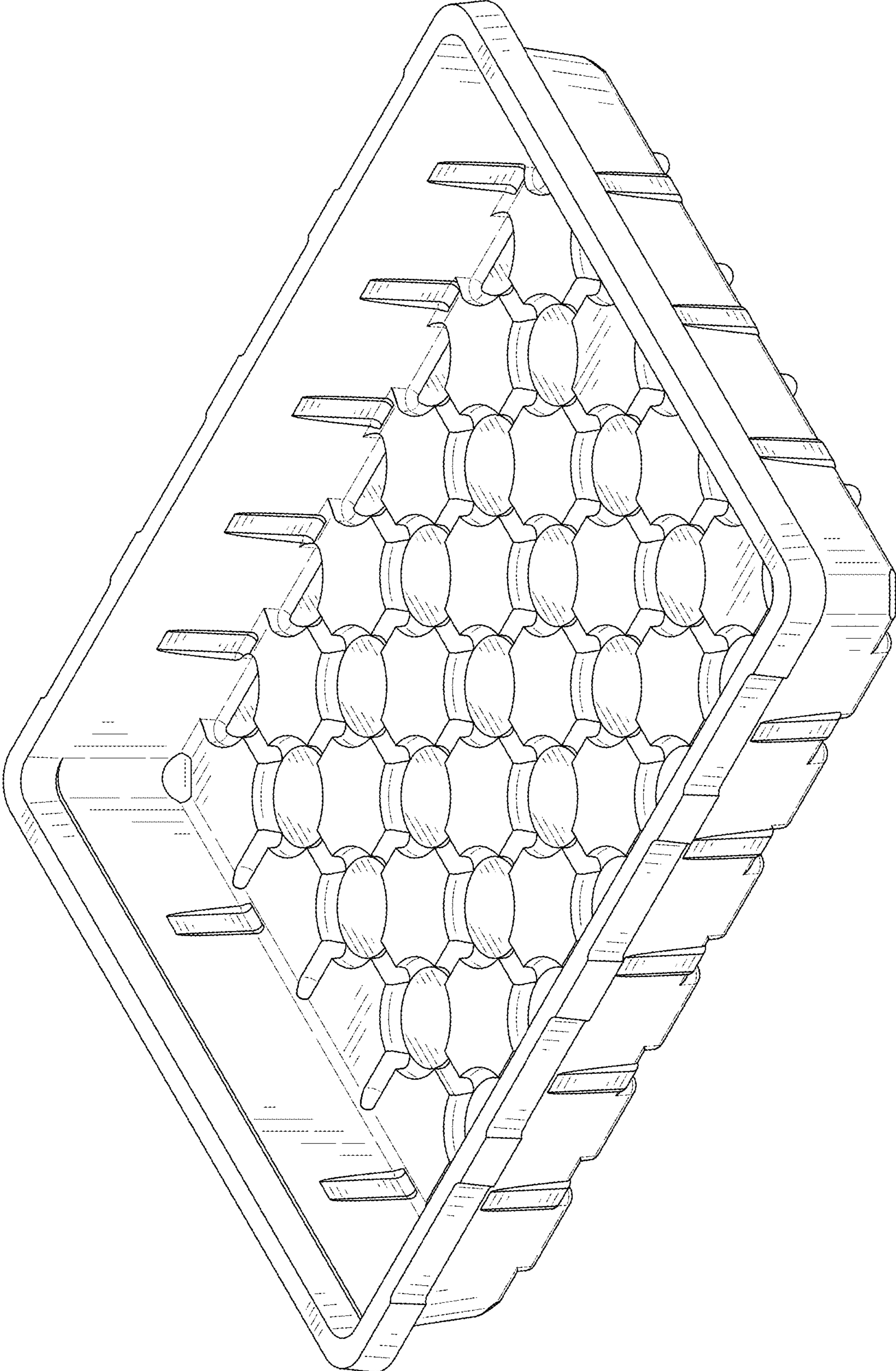


FIG. 1

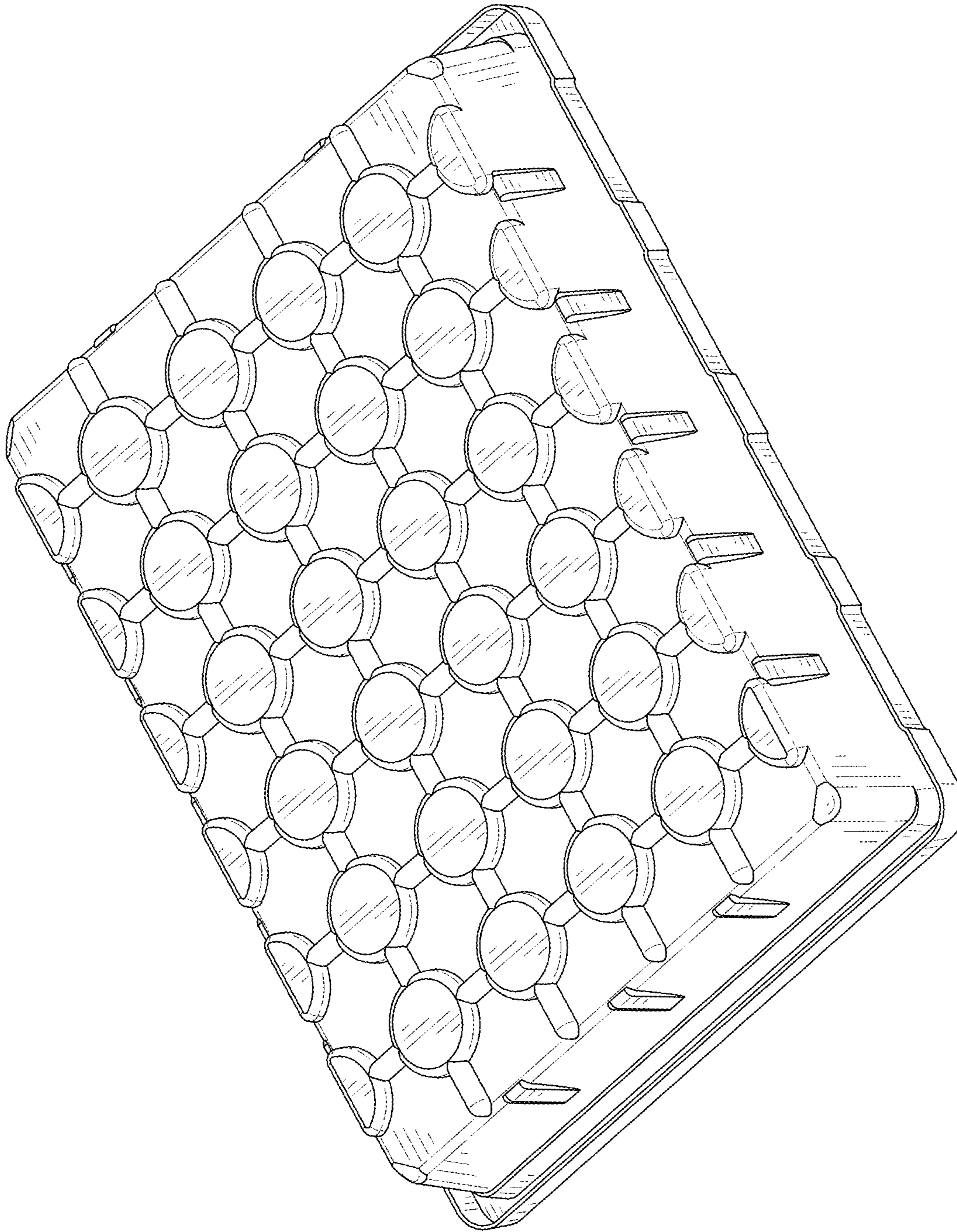


FIG. 2

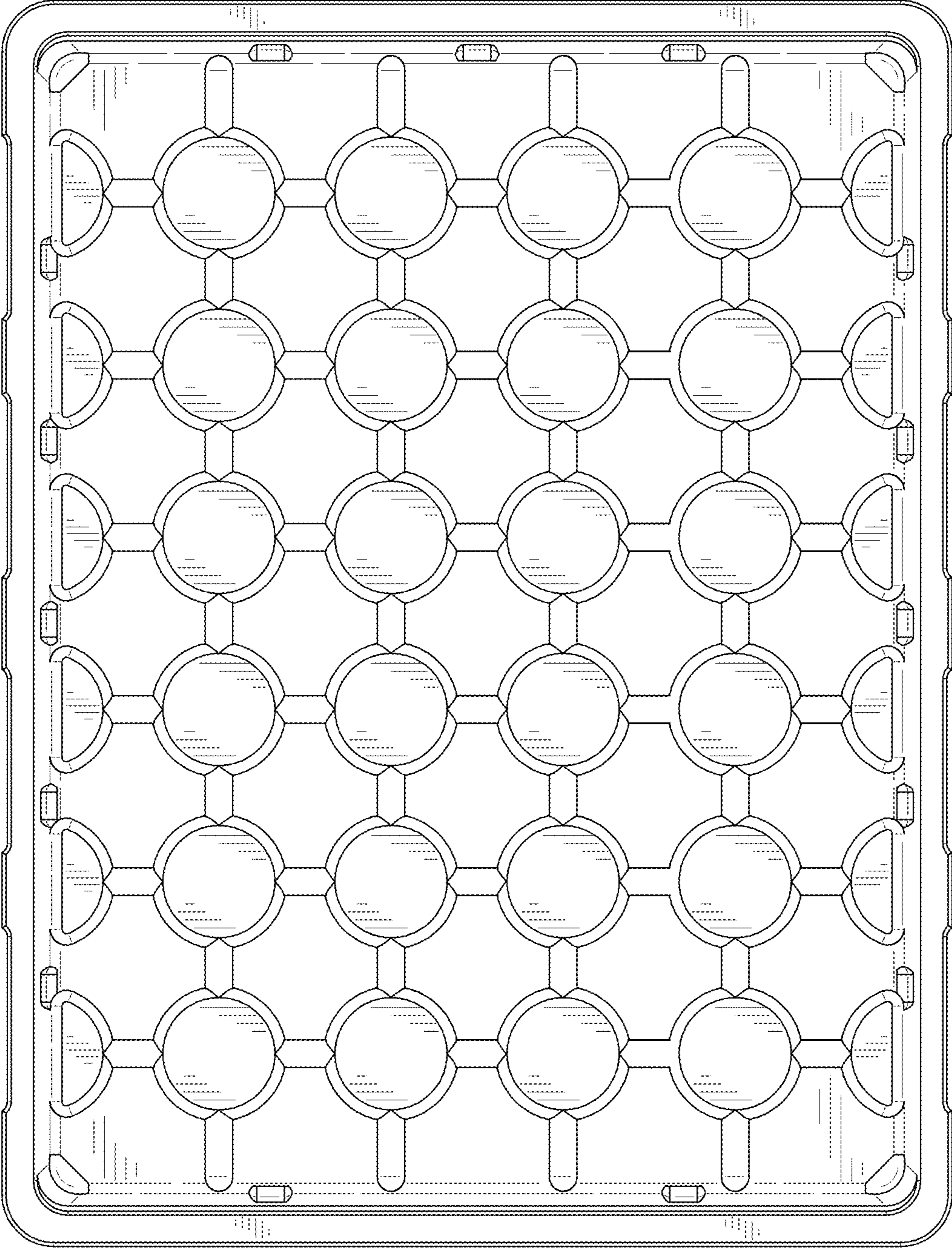


FIG. 3

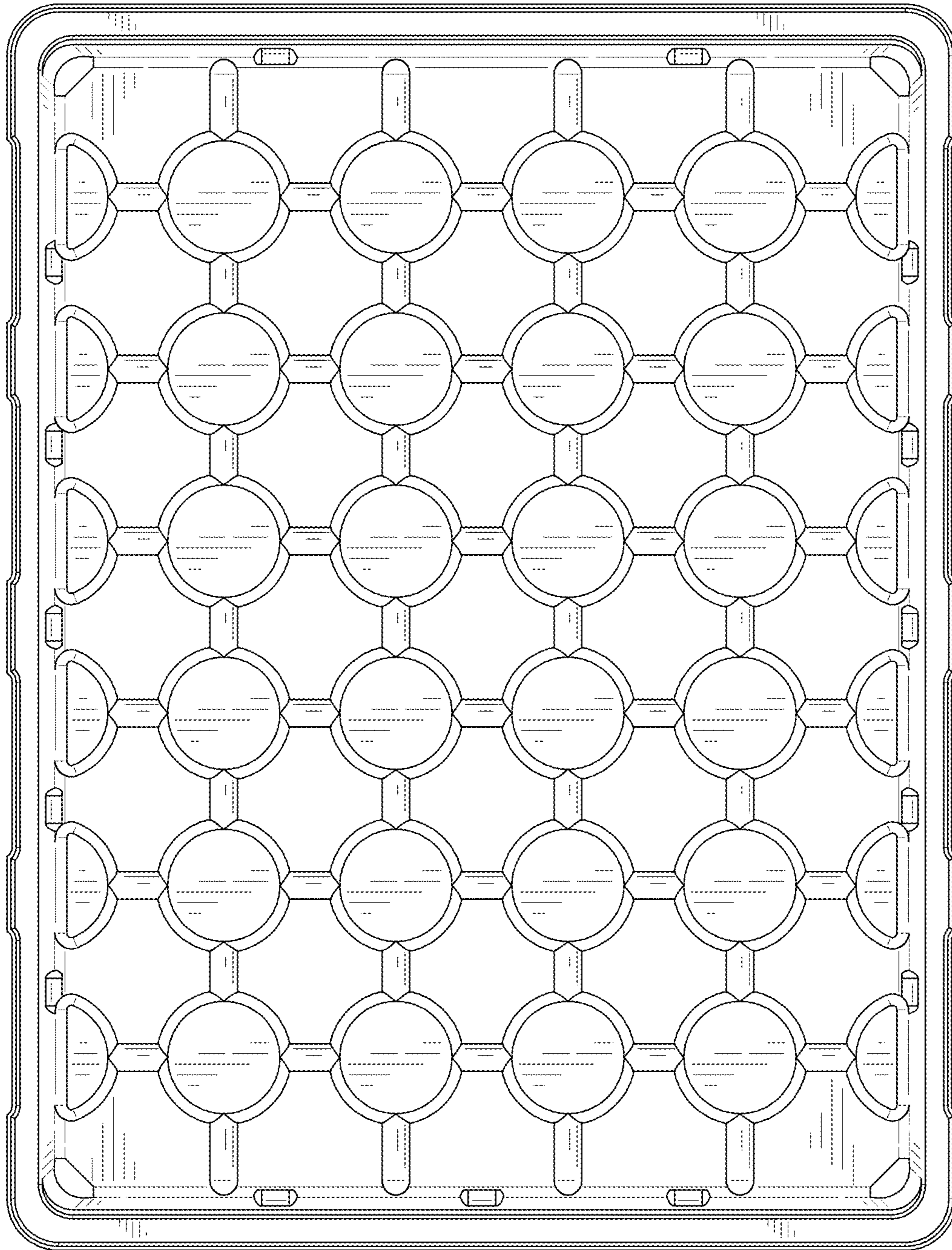


FIG. 4

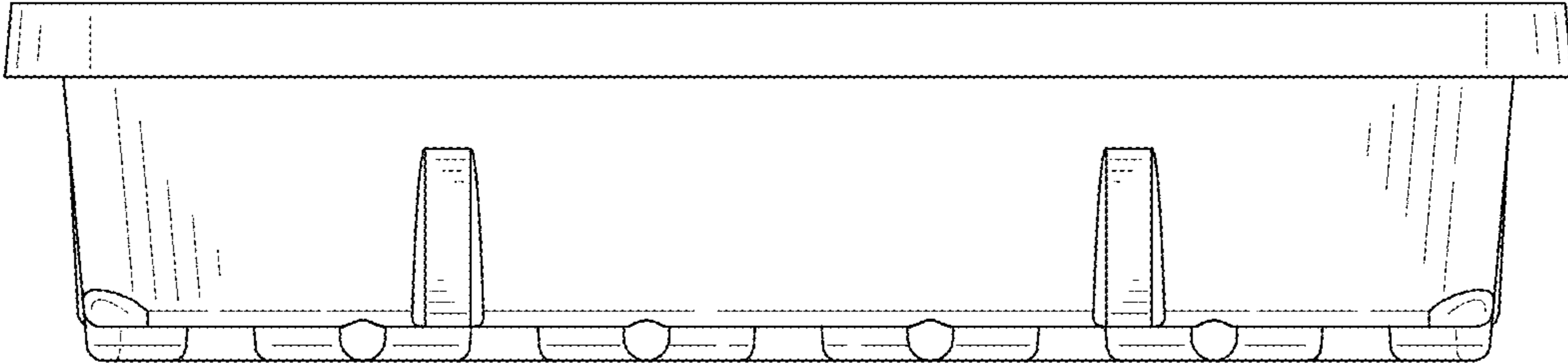


FIG. 5

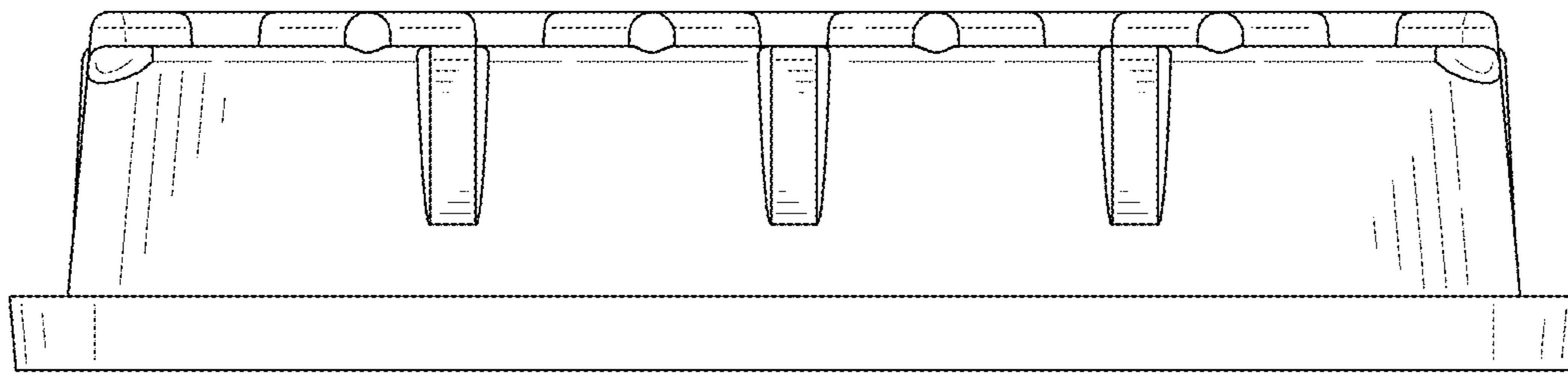


FIG. 6



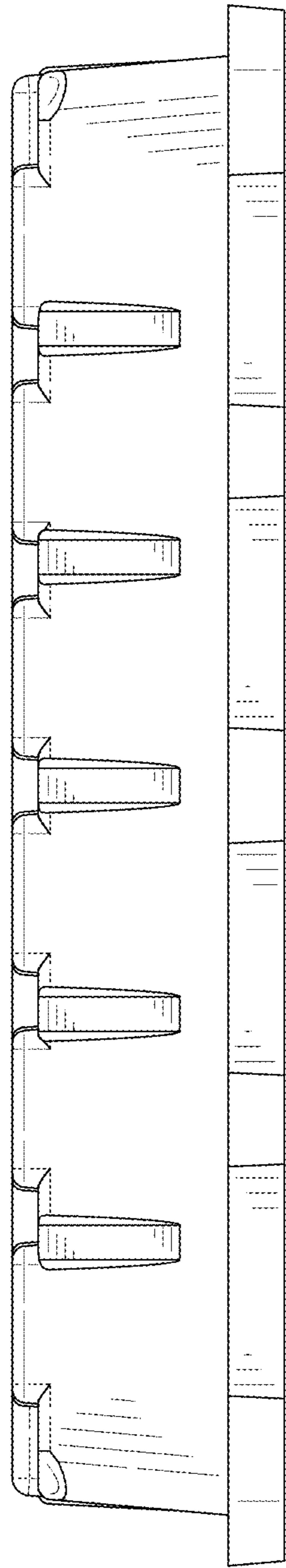


FIG. 7

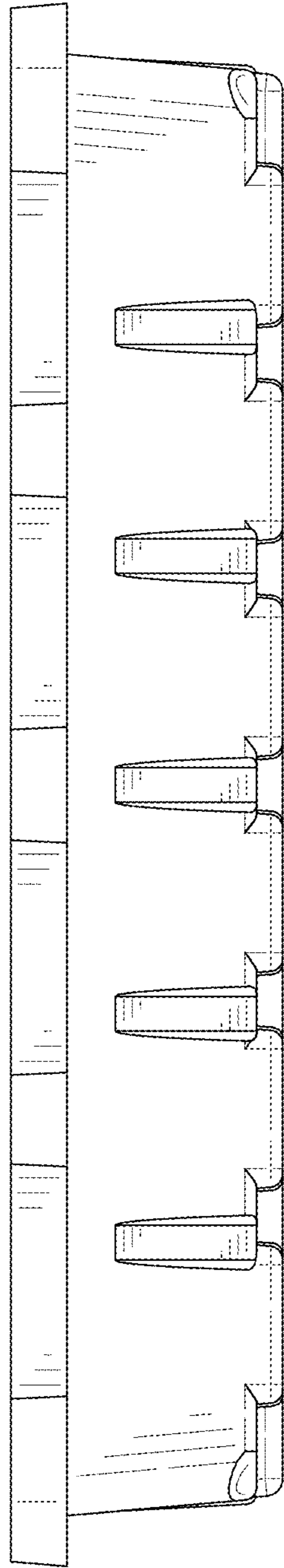


FIG. 8

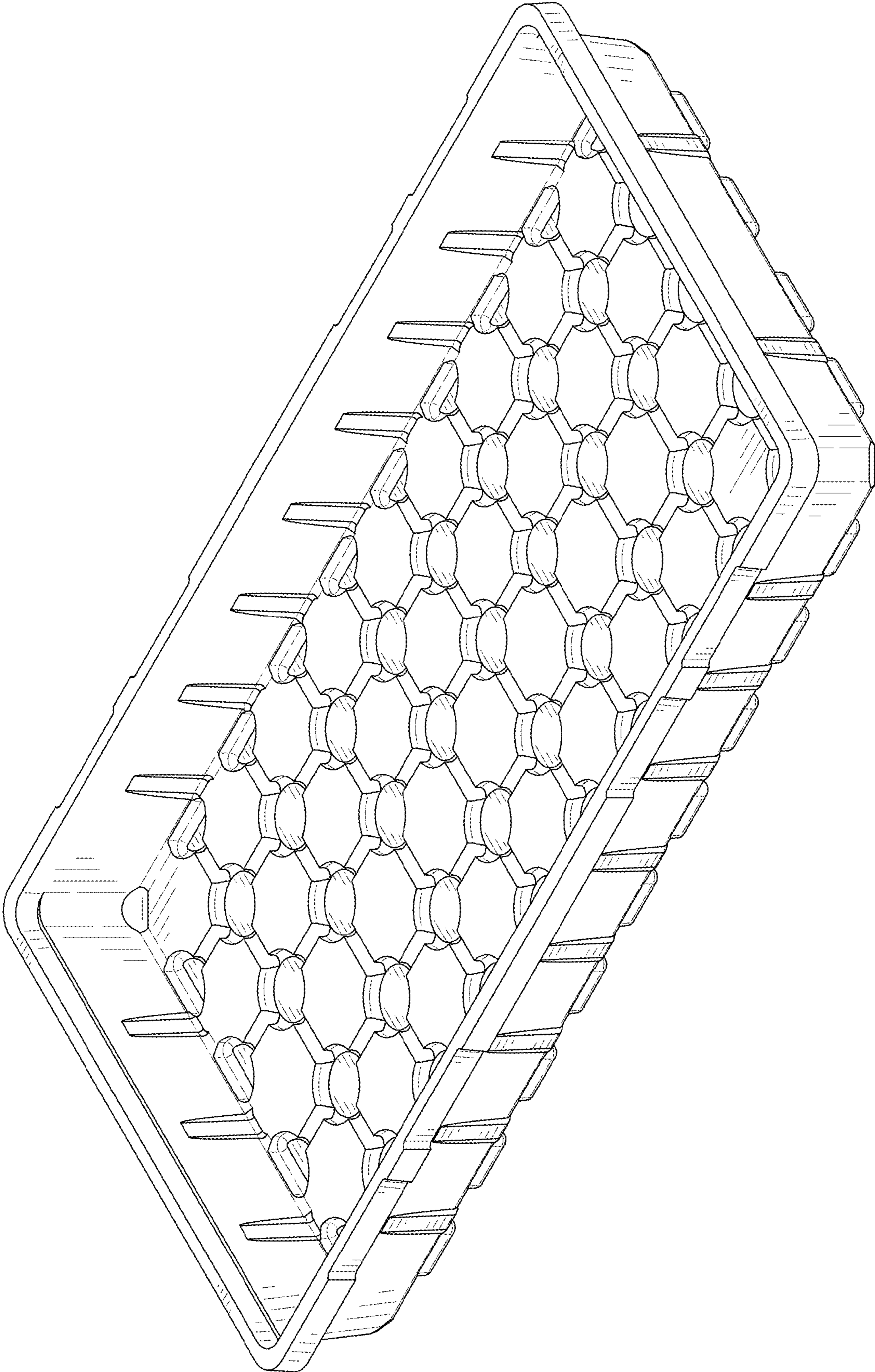


FIG. 9

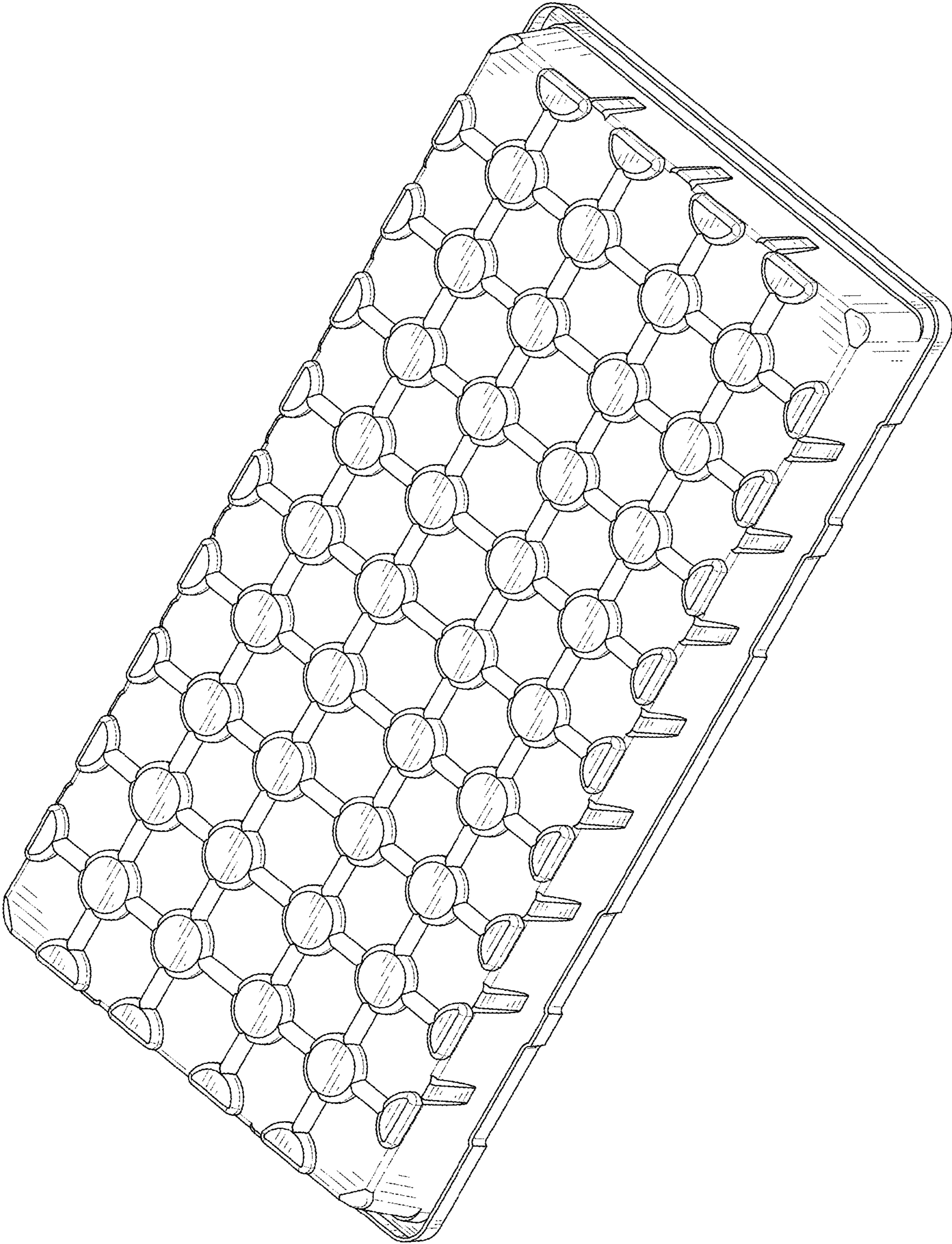


FIG. 10

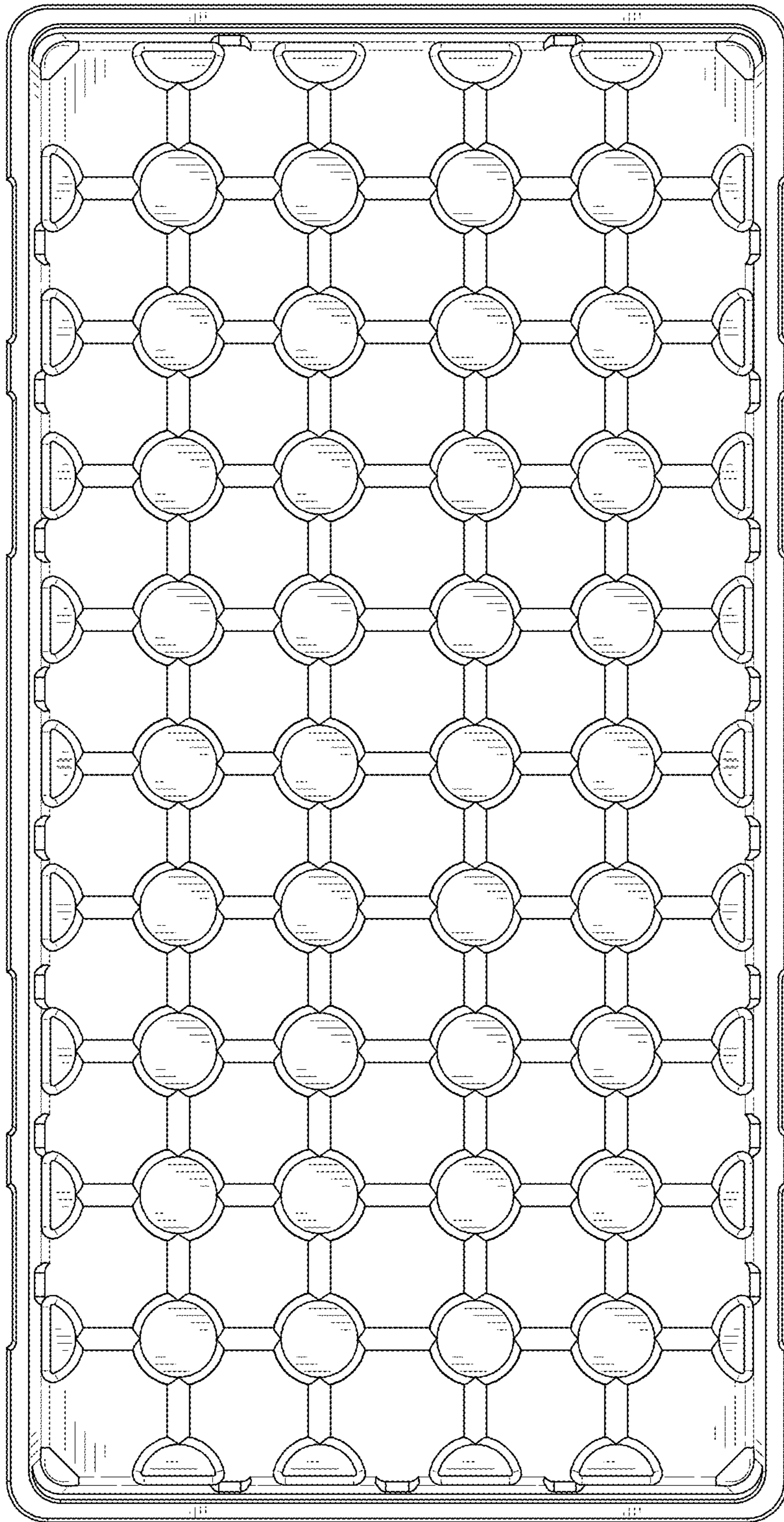


FIG. 11

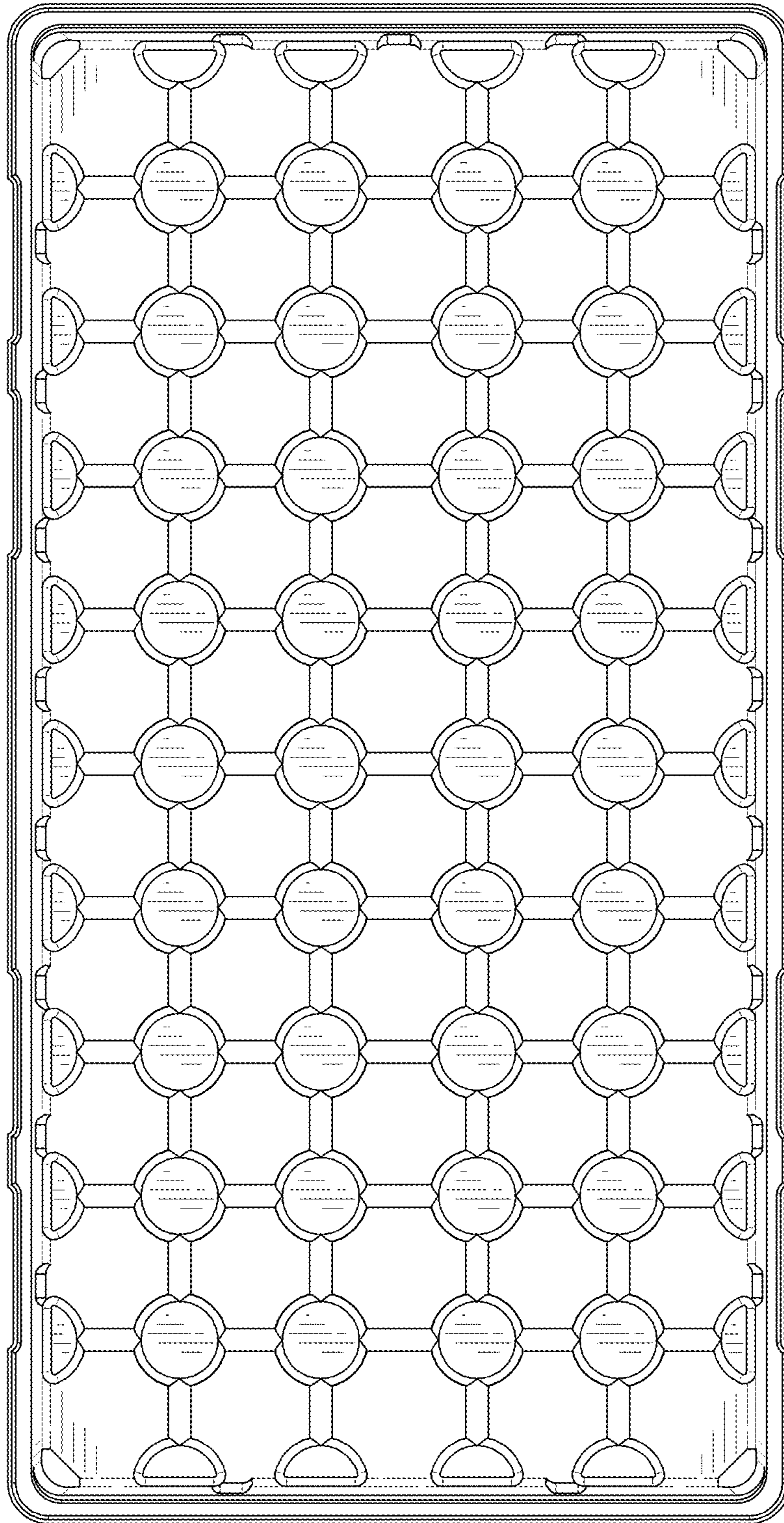


FIG. 12

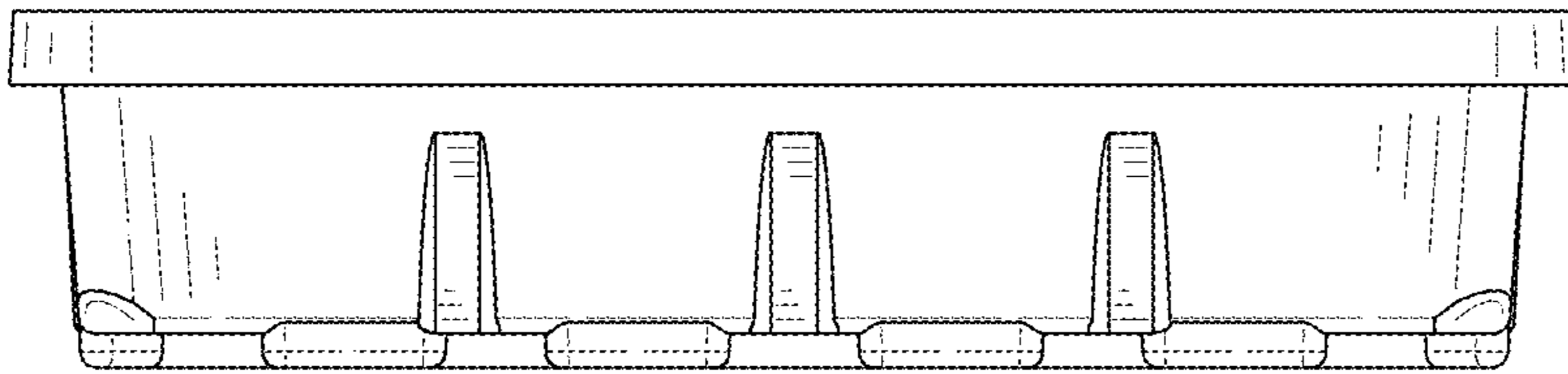


FIG. 13

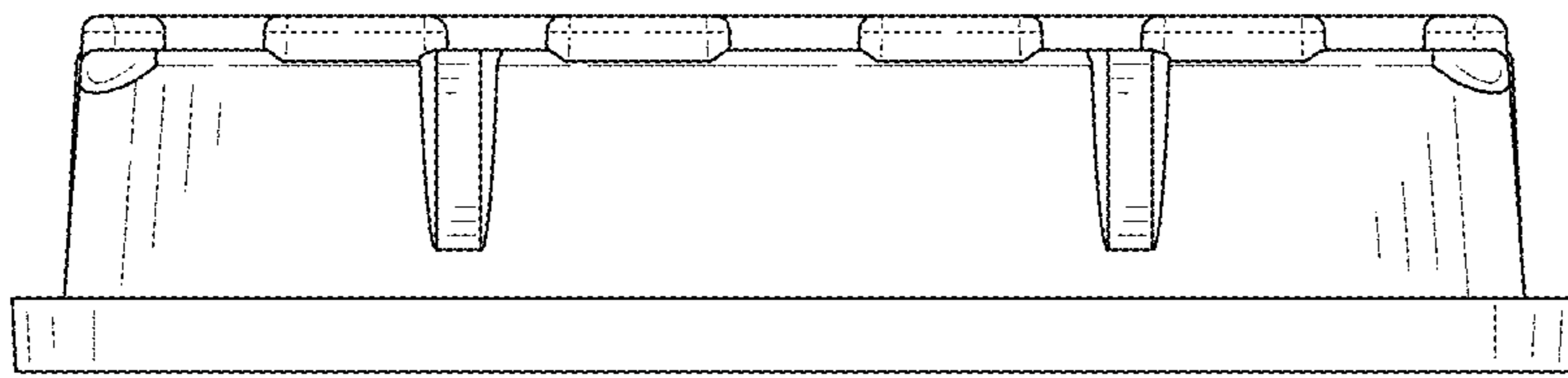


FIG. 14



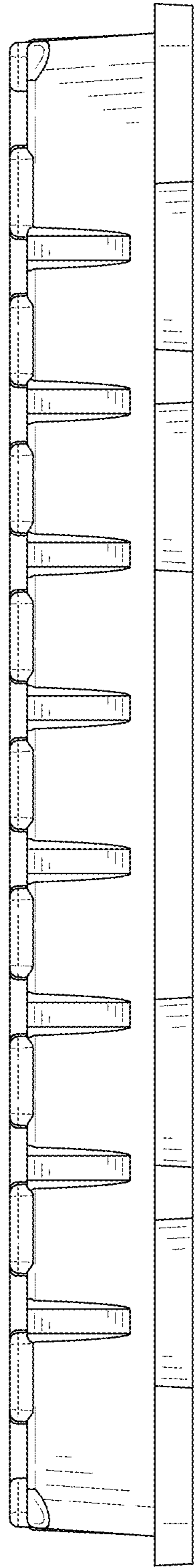


FIG. 15

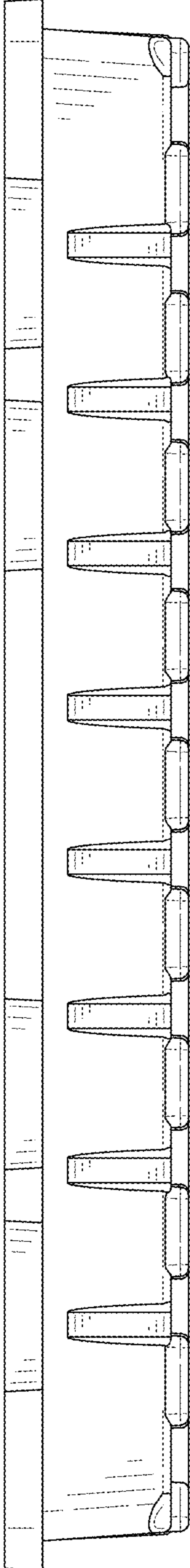


FIG. 16