



US00D887888S

(12) **United States Design Patent**
Shah

(10) **Patent No.:** **US D887,888 S**

(45) **Date of Patent:** **** Jun. 23, 2020**

- (54) **ARTICLE OF JEWELRY**
- (71) Applicant: **Kiran Jewels Inc.**, New York, NY (US)
- (72) Inventor: **Tejas Shah**, New York, NY (US)
- (73) Assignee: **KIRAN JEWELS INC.**, New York, NY (US)
- (**) Term: **15 Years**
- (21) Appl. No.: **29/606,588**
- (22) Filed: **Jun. 6, 2017**

- D427,934 S 7/2000 Lai
- D430,061 S 8/2000 Chan
- D431,204 S 9/2000 Gurevich
- D432,448 S 10/2000 Lai
- D434,694 S 12/2000 Lai
- D440,902 S 4/2001 Wolf
- D443,553 S 6/2001 Chan
- D446,154 S 8/2001 Lai
- 6,293,129 B1 * 9/2001 Gurevich A44C 17/005
D11/91

(Continued)

Primary Examiner — Llorellys Martinez

(74) *Attorney, Agent, or Firm* — Hodgson Russ LLP

(57) **CLAIM**

The ornamental design for an article of jewelry, as shown and described.

DESCRIPTION

FIG. 1 is a top perspective view of a first embodiment of an article of jewelry, showing my new design;
 FIG. 2 is a bottom perspective view thereof;
 FIG. 3 is a left side elevation view thereof;
 FIG. 4 is a right side elevation view thereof;
 FIG. 5 is a front elevation view thereof;
 FIG. 6 is a rear elevation view thereof;
 FIG. 7 is a top plan view thereof;
 FIG. 8 is a bottom plan view thereof;
 FIG. 9 is a top perspective view of a second embodiment of an article of jewelry, showing my new design;
 FIG. 10 is a bottom perspective view thereof;
 FIG. 11 is a left side elevation view thereof;
 FIG. 12 is a right side elevation view thereof;
 FIG. 13 is a front elevation view thereof;
 FIG. 14 is a rear elevation view thereof;
 FIG. 15 is a top plan view thereof; and,
 FIG. 16 is a bottom plan view thereof.

The broken lines in the drawings illustrate portions of the article of jewelry that form no part of the claimed design.

1 Claim, 12 Drawing Sheets

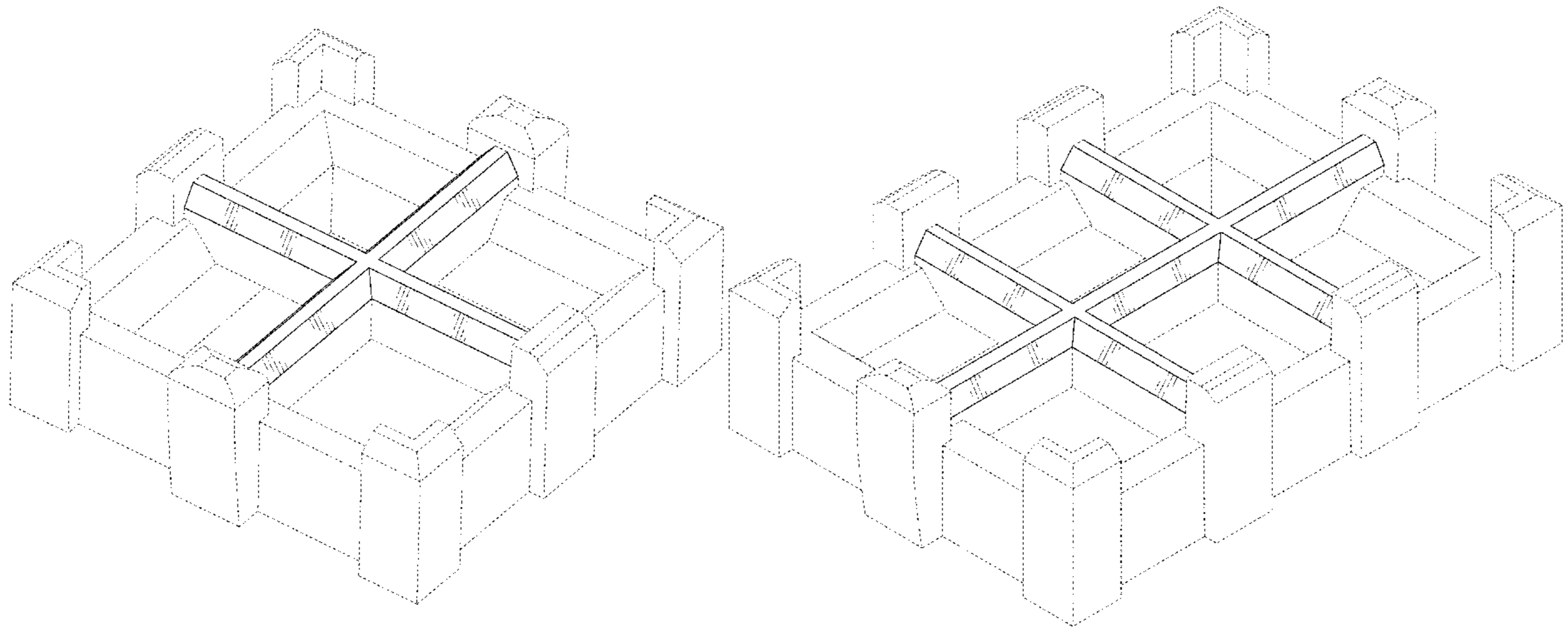
Related U.S. Application Data

- (62) Division of application No. 29/590,516, filed on Jan. 11, 2017, now Pat. No. Des. 798,761.
- (51) **LOC (12) Cl.** **11-01**
- (52) **U.S. Cl.**
USPC **D11/91; D11/86**
- (58) **Field of Classification Search**
USPC D11/1, 86, 87, 91, 92
CPC . A44C 17/02; A44C 17/0208; A44C 17/0233;
A44C 17/0241; A44C 17/025; A44C
17/0258; A44C 17/0266; A44C 17/0283;
A44C 17/0291; A44C 17/04; A44C
17/043; A44C 17/046
See application file for complete search history.

(56) **References Cited**

U.S. PATENT DOCUMENTS

- D251,659 S 4/1979 Grossbard
- D388,016 S * 12/1997 Kejajian D11/91
- D388,017 S * 12/1997 Kejajian D11/91
- D400,121 S 10/1998 Ambar
- D411,134 S 6/1999 Lai
- D414,442 S 9/1999 Canale
- 6,003,335 A 12/1999 Gurevich
- D425,817 S 5/2000 Gurevich



(56)

References Cited

U.S. PATENT DOCUMENTS

6,298,689	B1 *	10/2001	Lai	A44C 17/005	
					D11/91
D454,517	S	3/2002	Yuan		
6,389,846	B1	5/2002	Siebenberg		
D460,381	S	7/2002	Lai		
6,442,971	B1 *	9/2002	Gurevich	A44C 17/002	
					D11/91
6,453,700	B1 *	9/2002	Avril	A44C 17/005	
					D11/91
D473,816	S	4/2003	Gurevich		
D478,528	S	8/2003	Mehta		
D534,095	S	12/2006	Lai		
D547,232	S	7/2007	Lai		
D553,541	S	10/2007	Lai		
7,444,835	B2	11/2008	Mehta		
D583,702	S	12/2008	Habif		
D584,992	S	1/2009	Mehta		
D596,981	S	7/2009	Hodara		
7,802,449	B1	9/2010	Levitt		
D655,219	S	3/2012	Kothari		
D664,883	S	8/2012	Parikh		
D678,112	S	3/2013	Jhaveri		
D695,147	S	12/2013	Jhaveri		
D727,781	S	4/2015	Ghassabian		
D798,761	S *	10/2017	Shah		D11/91
D804,984	S *	12/2017	Shah		D11/91
D826,081	S *	8/2018	Shah		D11/91
D833,908	S *	11/2018	Yep		D11/91
2010/0319399	A1	12/2010	Mandell		
2011/0113826	A1 *	5/2011	Dholakiya	A44C 17/02	
					63/28
2014/0190209	A1	7/2014	Lipton		

* cited by examiner

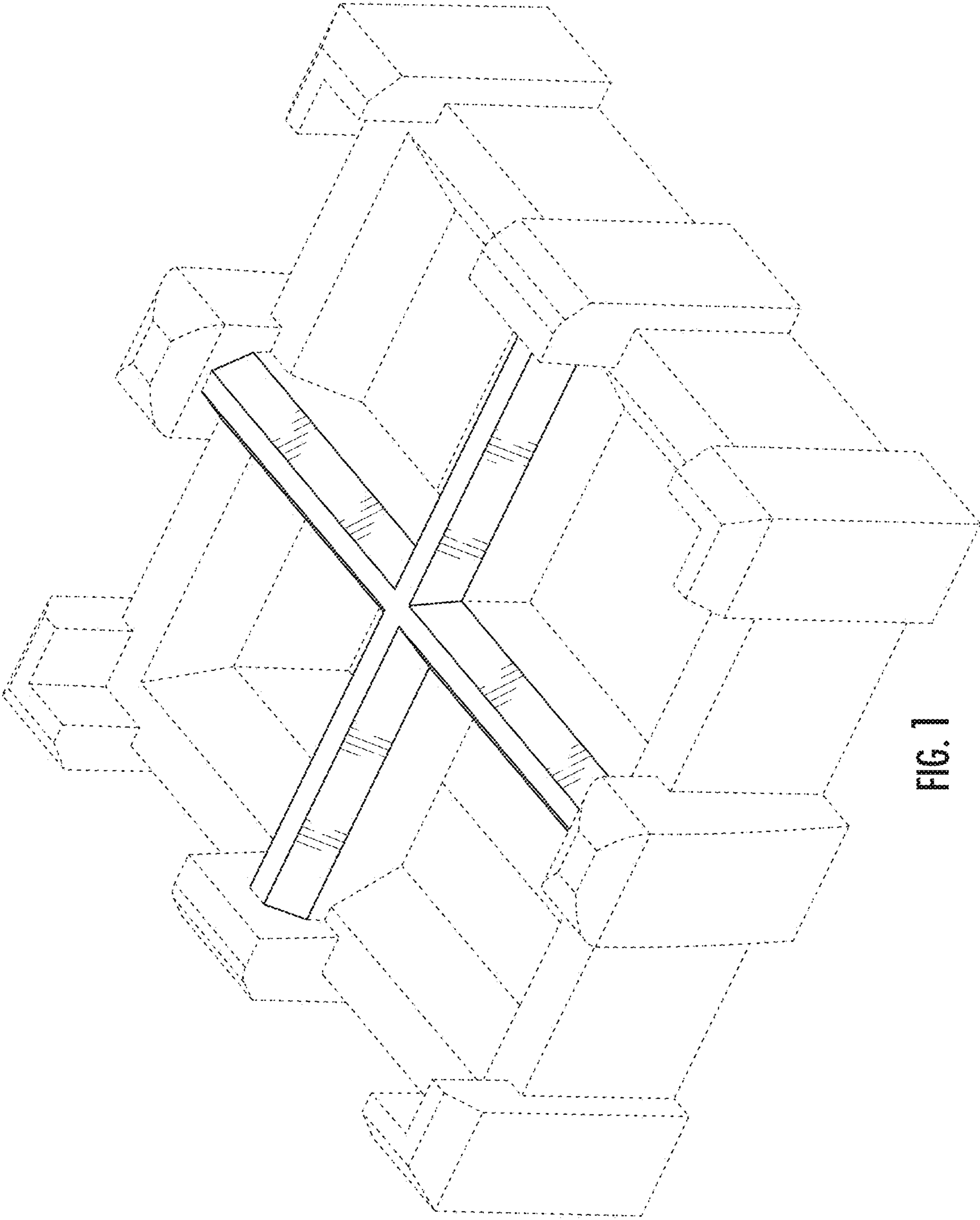


FIG. 1

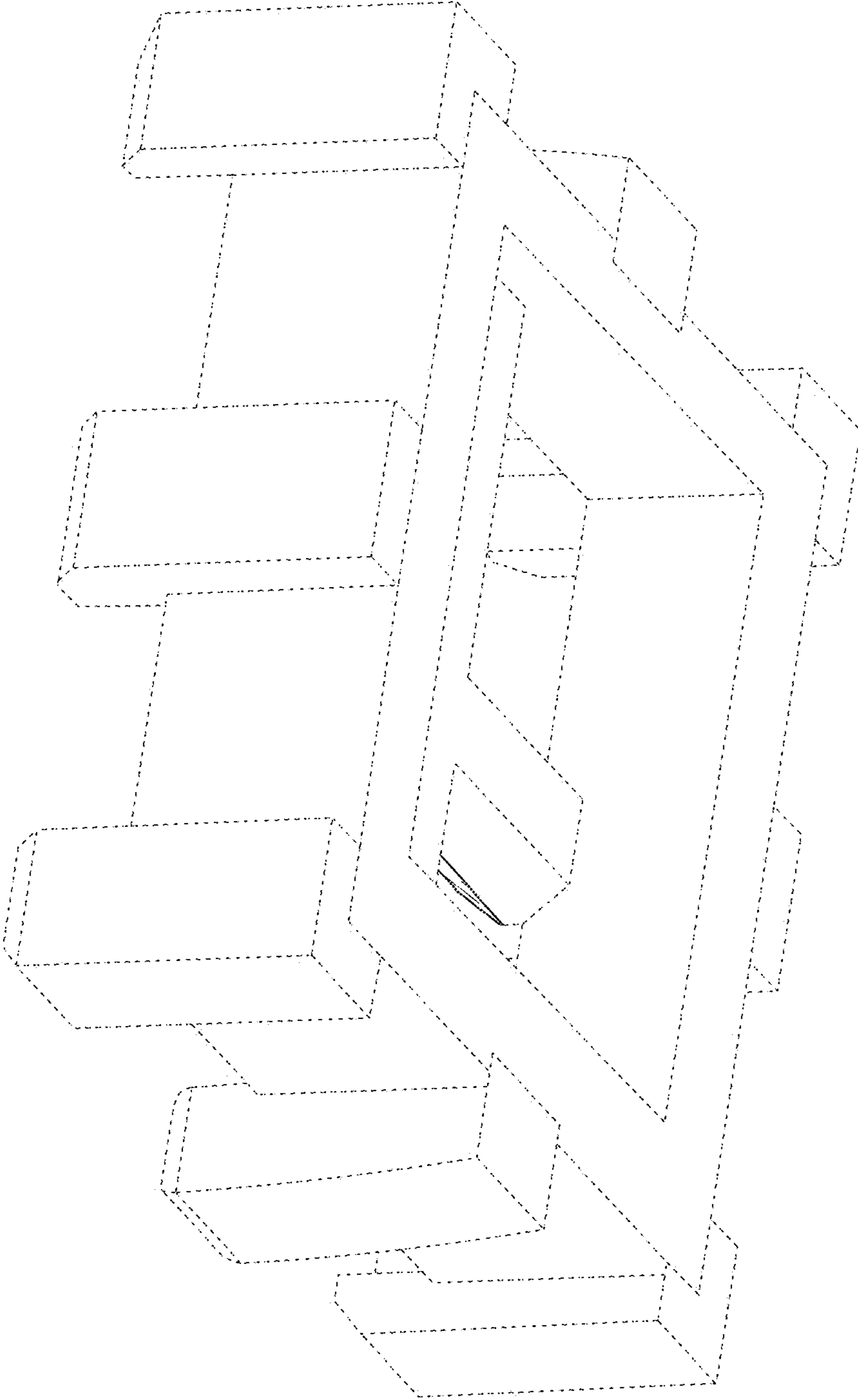


FIG. 2

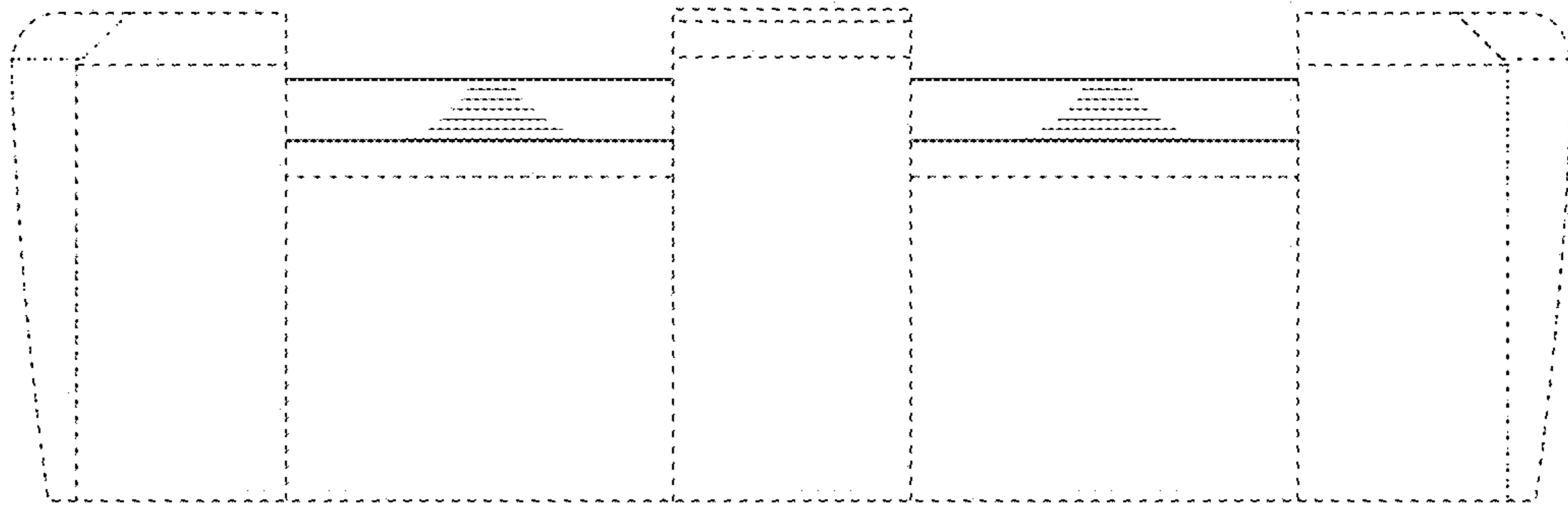


FIG. 3

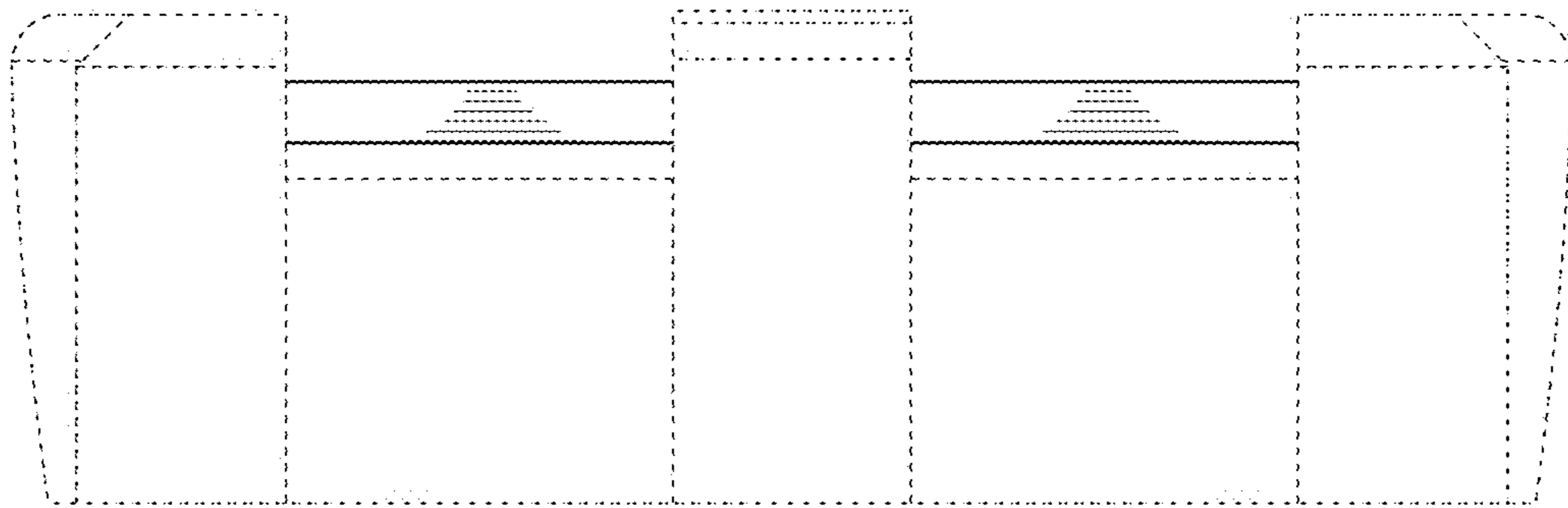


FIG. 4

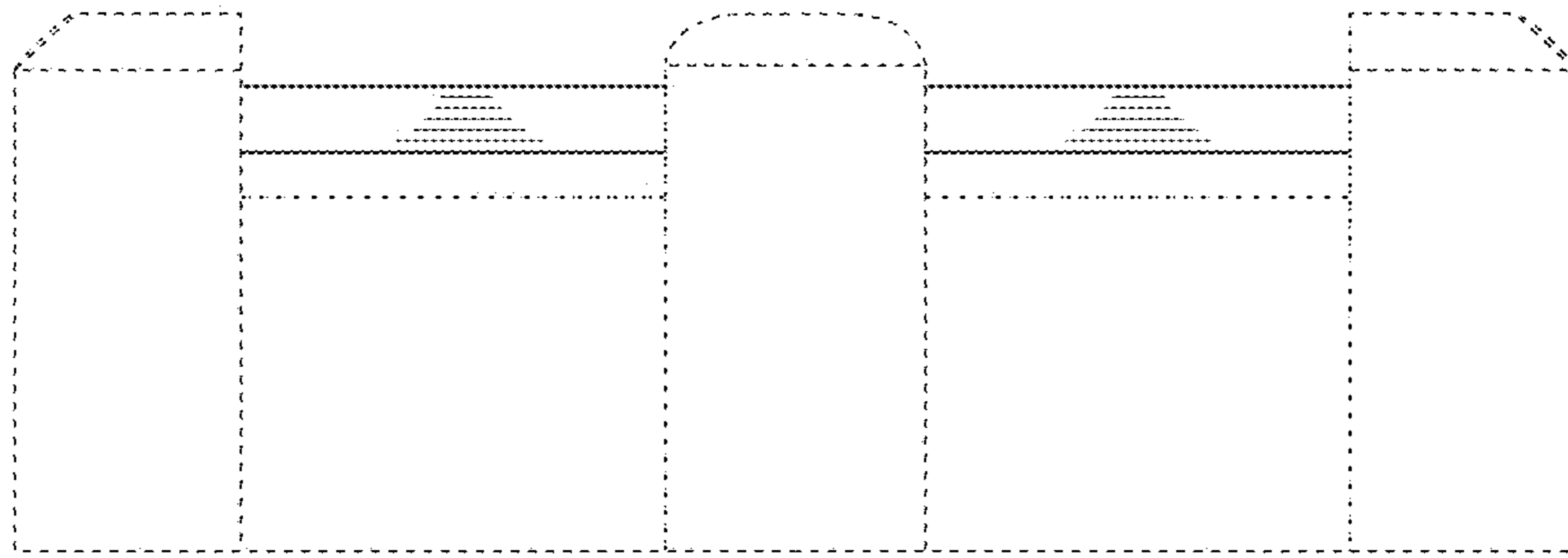


FIG. 5

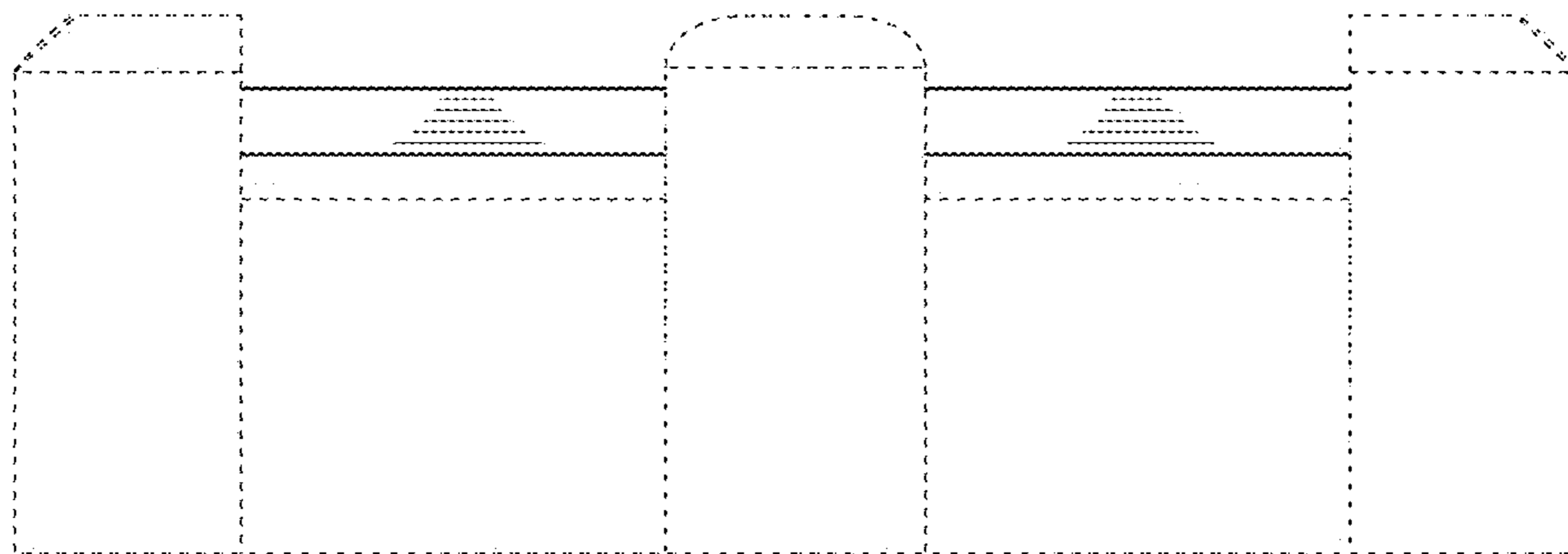


FIG. 6

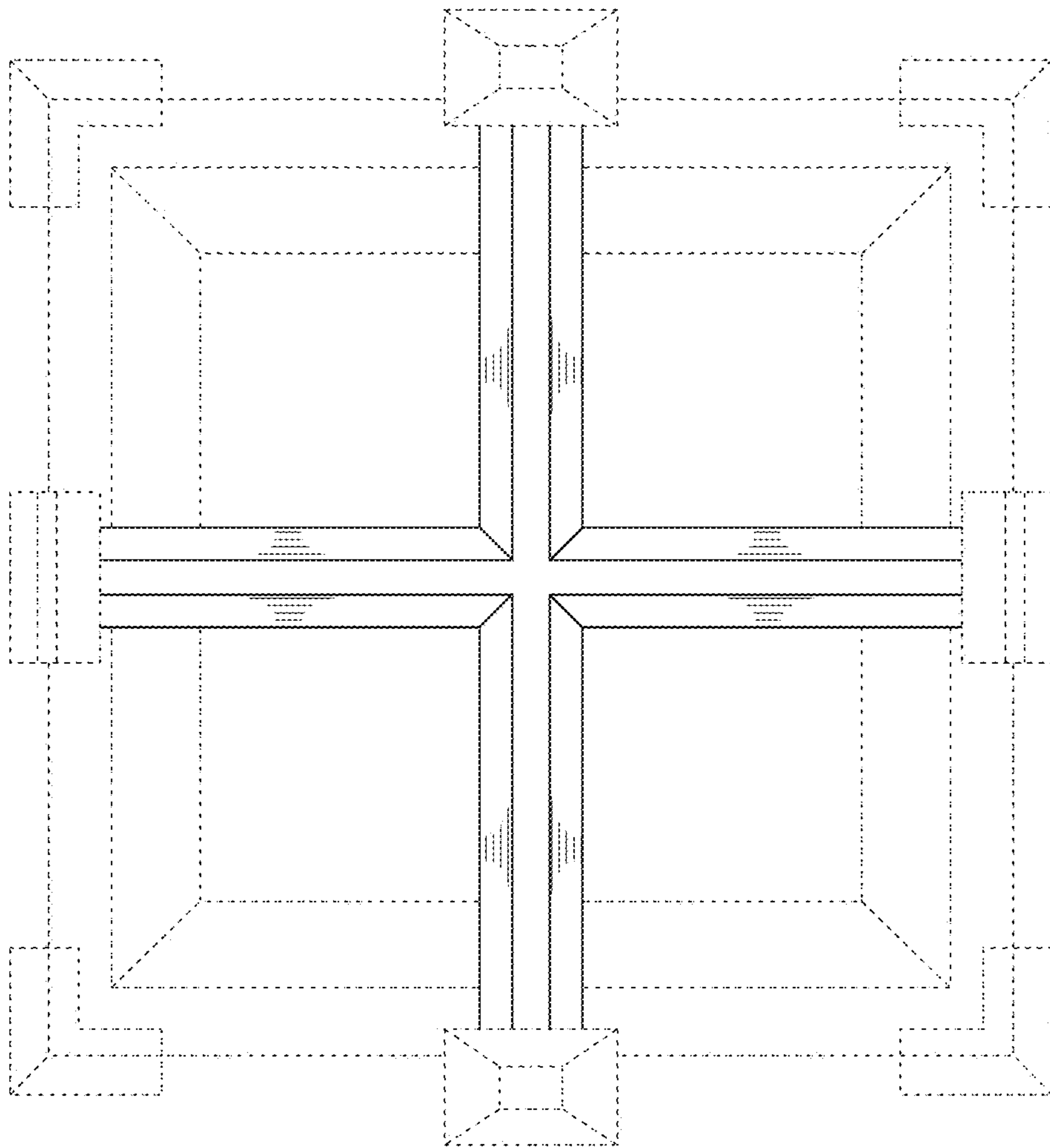


FIG. 7

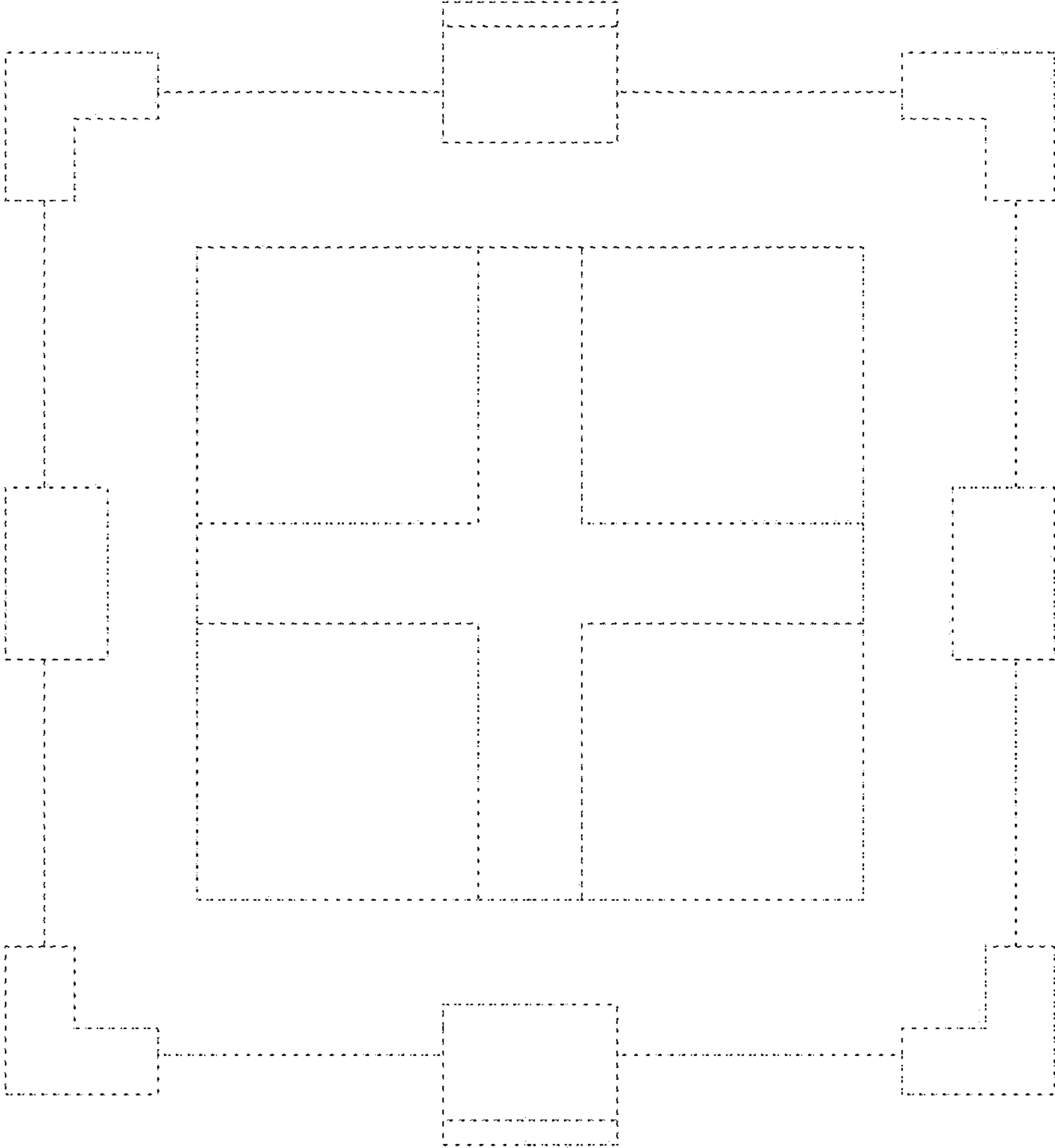


FIG. 8

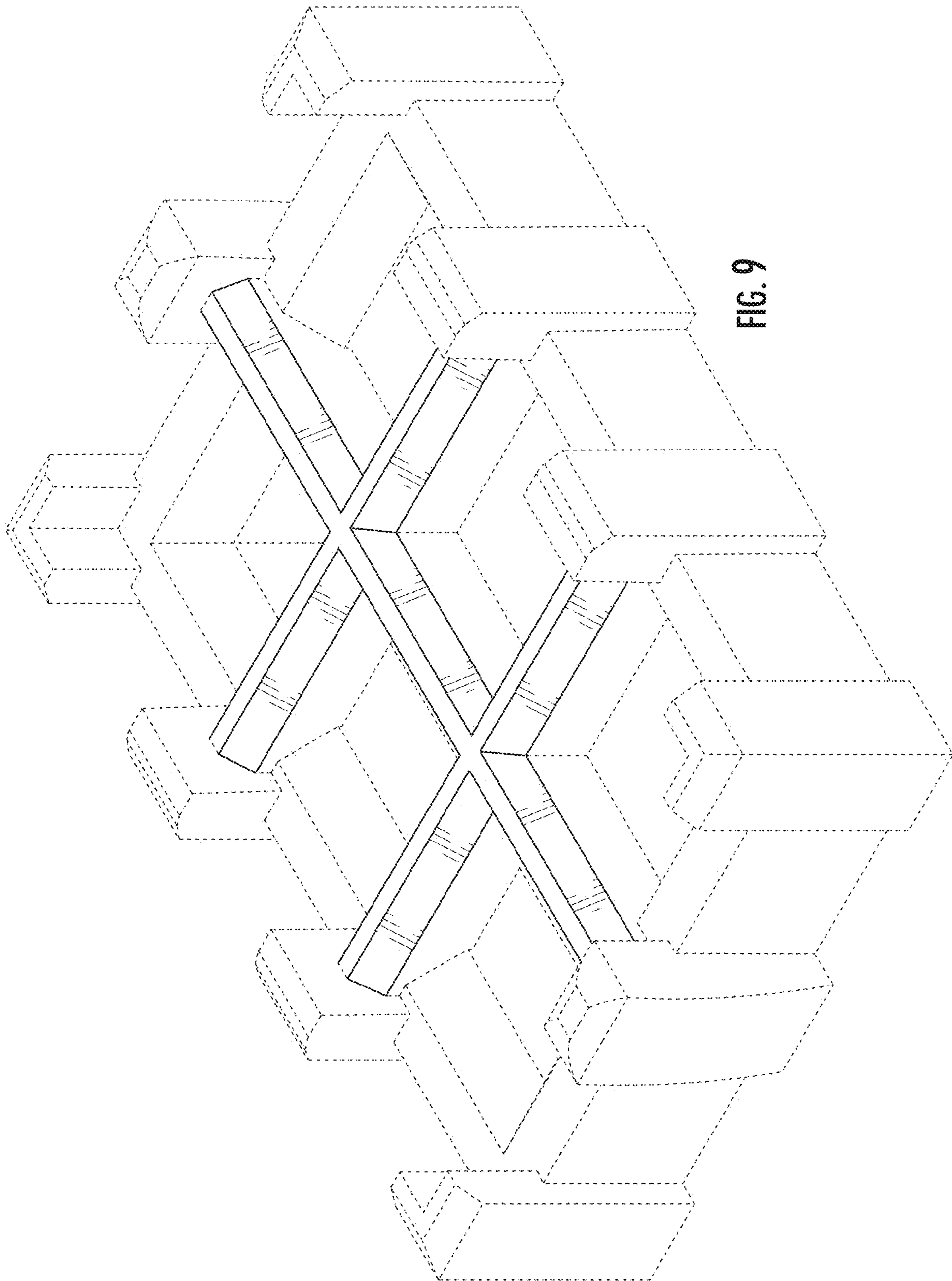


FIG. 9

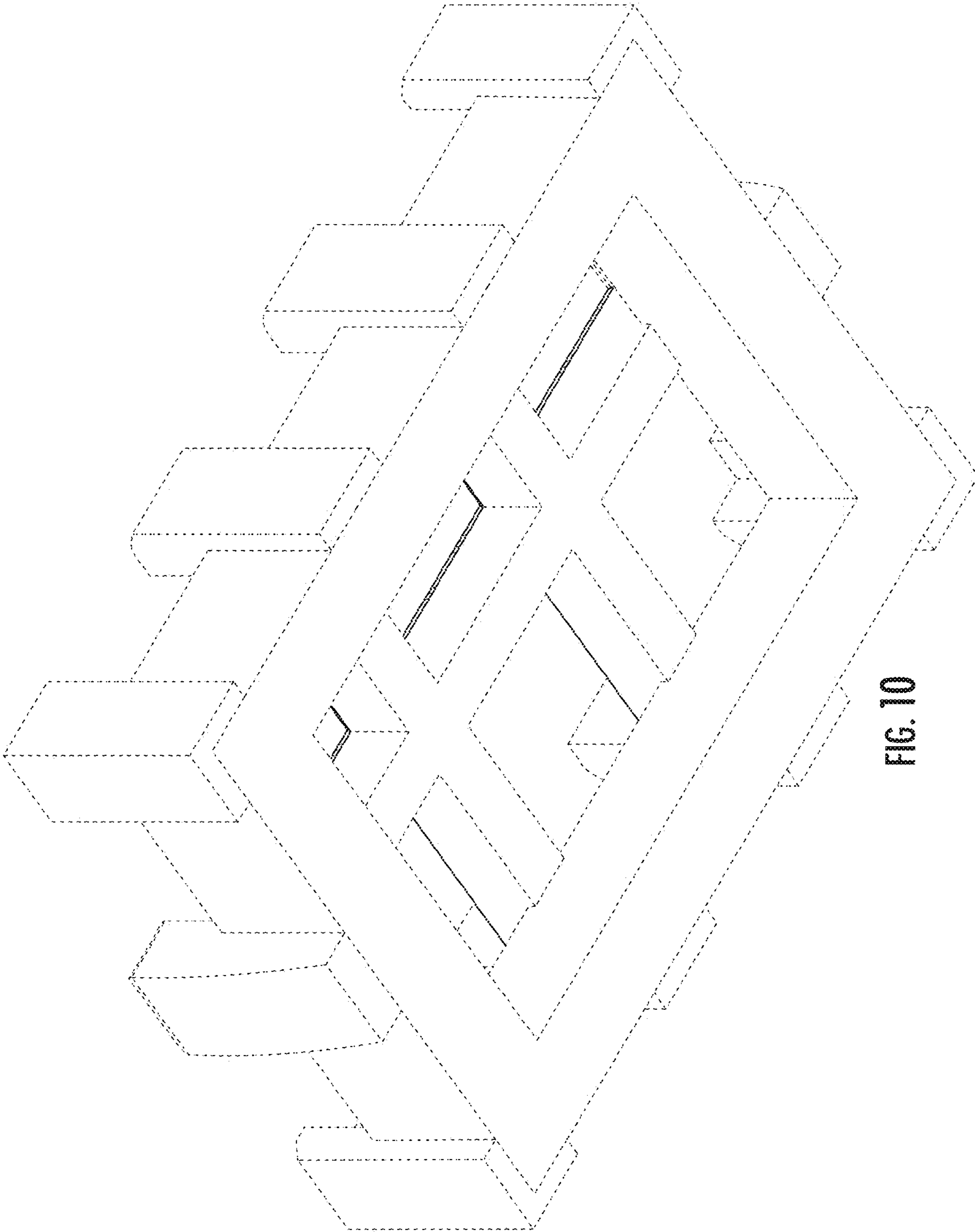


FIG. 10

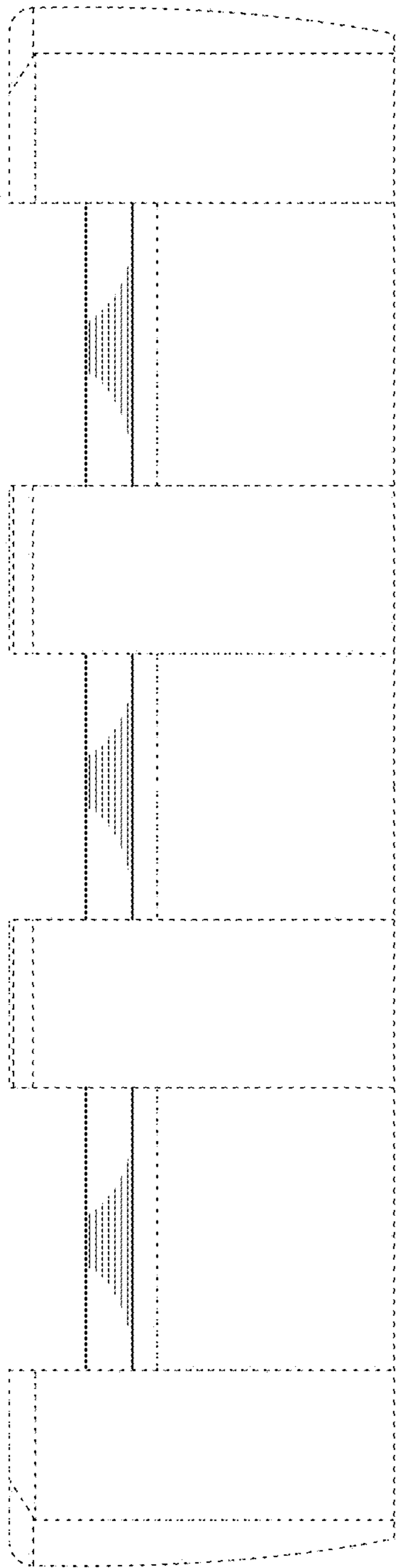


FIG. 11

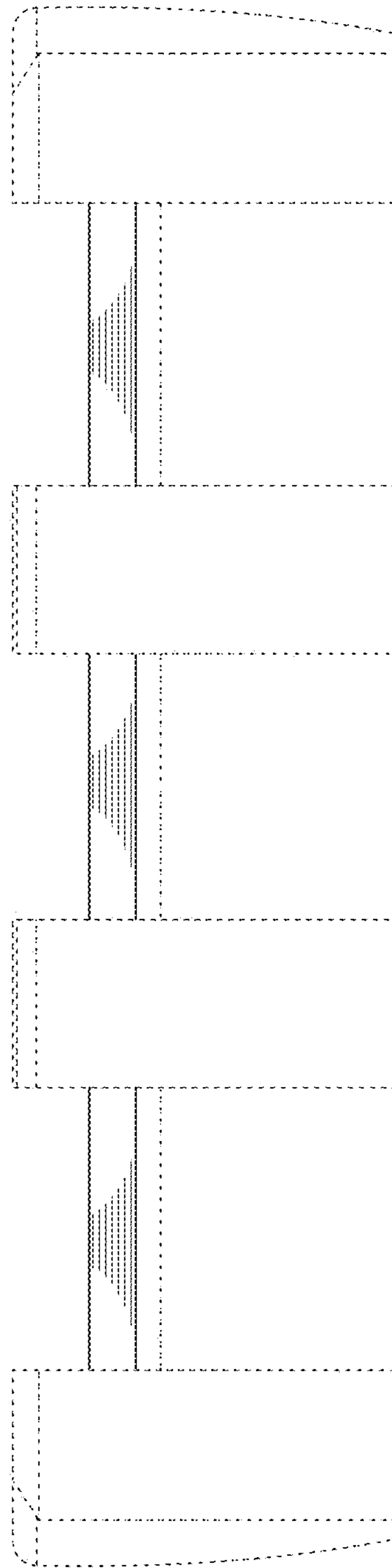


FIG. 12

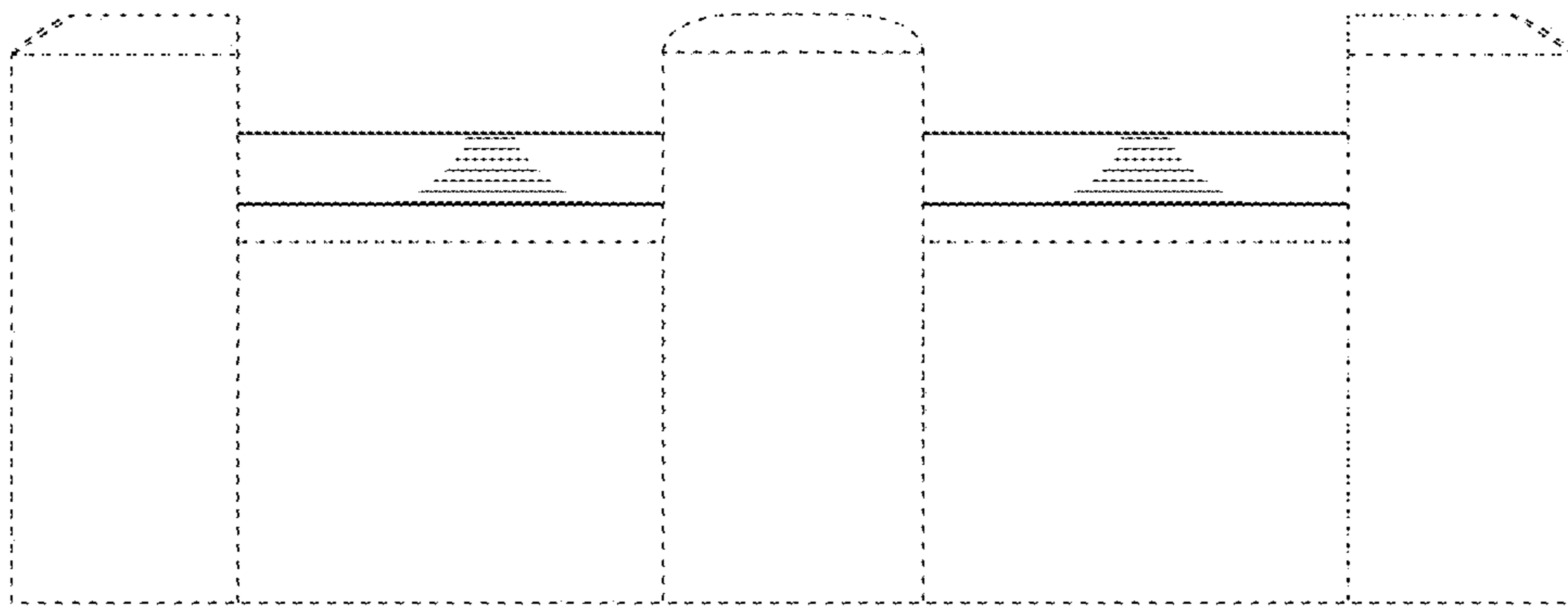


FIG. 13

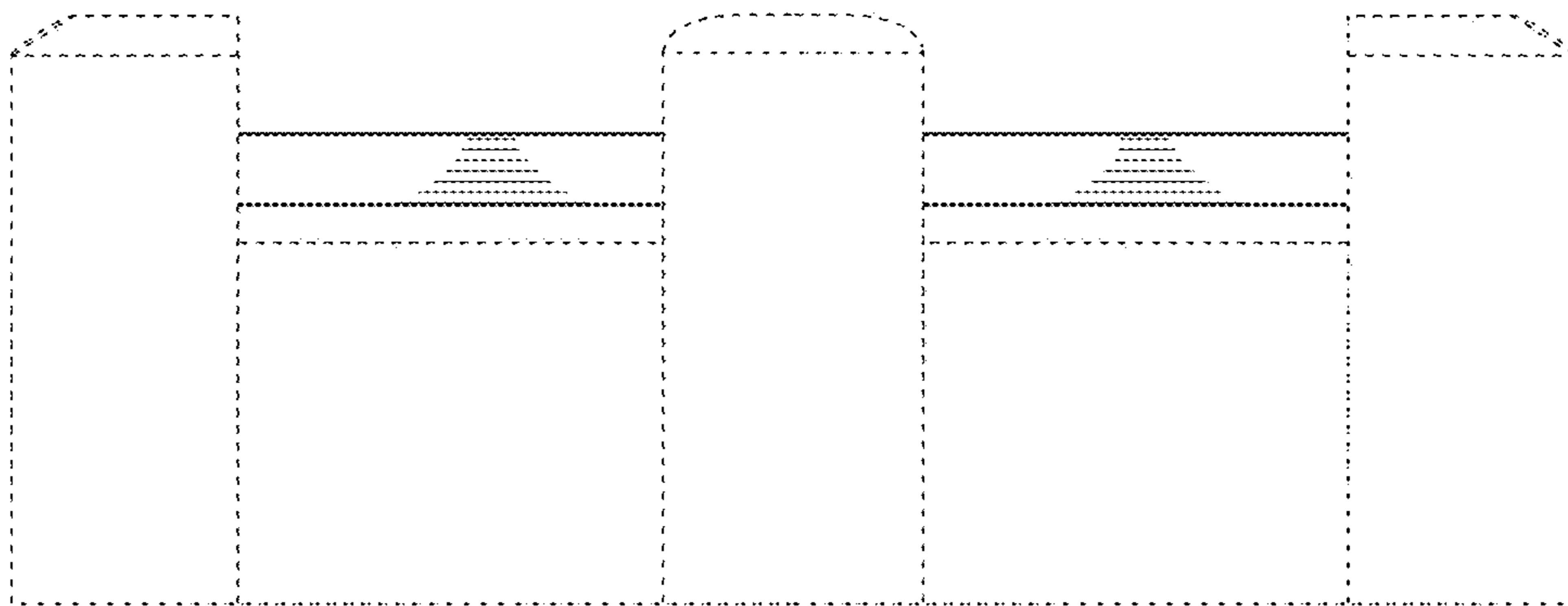


FIG. 14

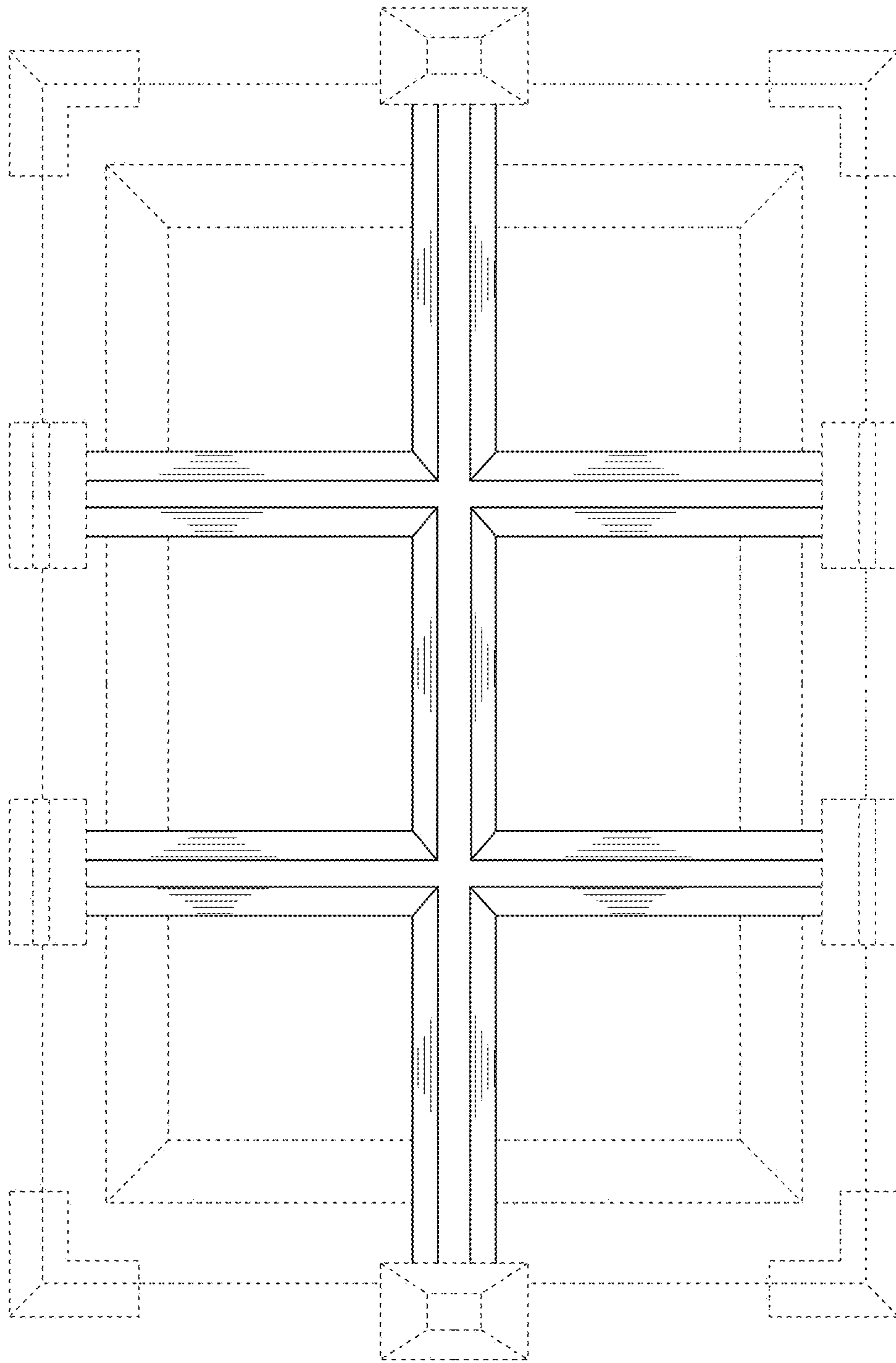


FIG. 15

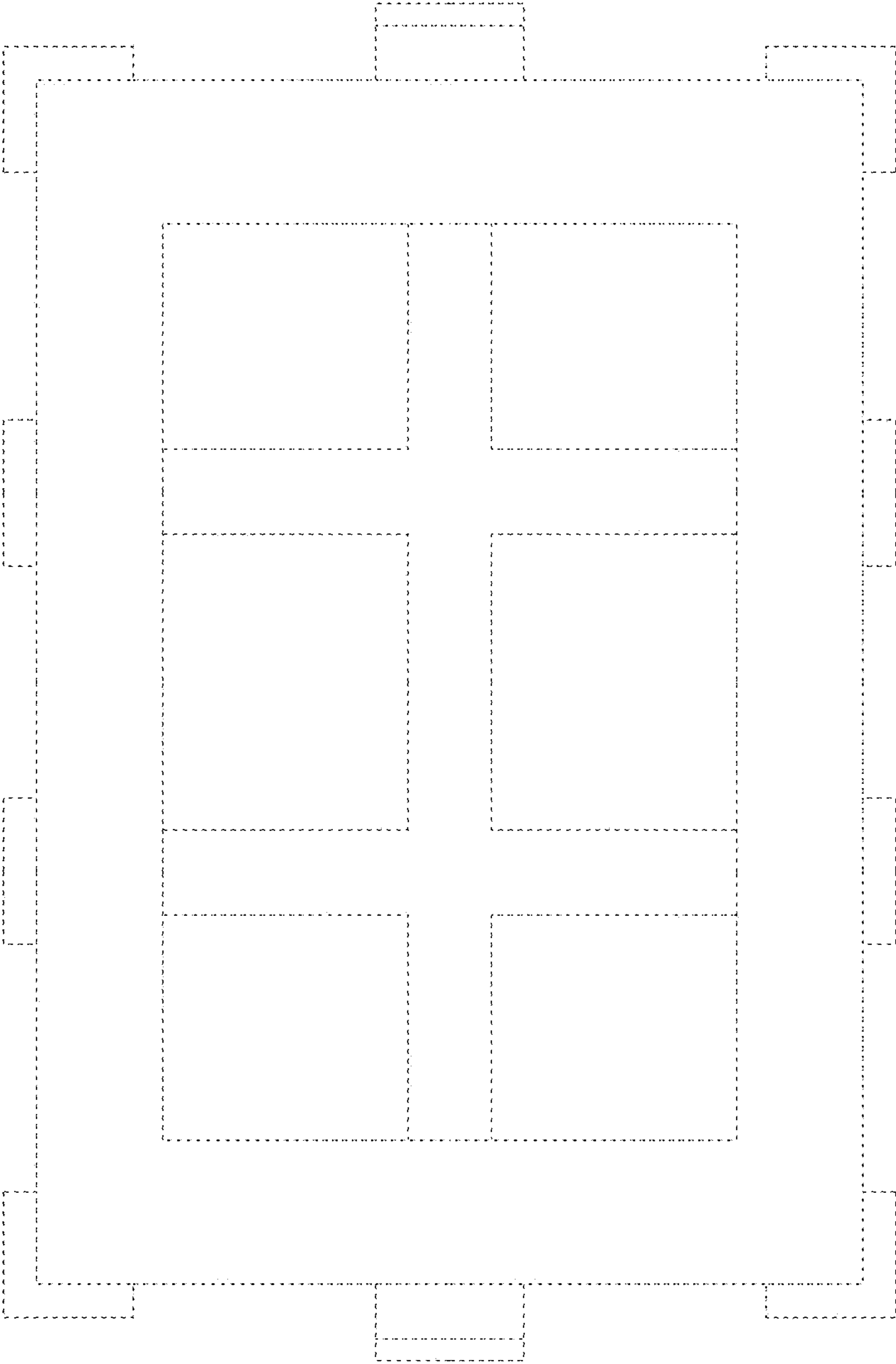


FIG. 16