



US00D887887S

(12) **United States Design Patent**
Markgraaff

(10) **Patent No.:** **US D887,887 S**

(45) **Date of Patent:** **** Jun. 23, 2020**

(54) **EARRING BACK**

(71) Applicant: **Petrus Nicolaas Markgraaff**, Indio,
CA (US)

(72) Inventor: **Petrus Nicolaas Markgraaff**, Indio,
CA (US)

(**) Term: **15 Years**

(21) Appl. No.: **29/683,989**

(22) Filed: **Mar. 18, 2019**

(51) **LOC (12) Cl.** **11-01**

(52) **U.S. Cl.**
USPC **D11/88**

(58) **Field of Classification Search**
USPC D11/1-25, 32, 86, 88, 93, 94
CPC A44C 7/00; A44C 7/002; A44C 7/003
See application file for complete search history.

(56) **References Cited**

U.S. PATENT DOCUMENTS

D197,907 S * 4/1964 Armstrong D11/88
D305,214 S * 12/1989 Campbell D11/26

D431,010 S * 9/2000 Guthier D11/88
D461,140 S * 8/2002 Benhamou D11/88
D747,665 S * 1/2016 Hooper D11/40
D753,015 S * 4/2016 Crafton D11/86
D813,712 S * 3/2018 McKean D11/86
D826,080 S * 8/2018 Gentile D11/88

* cited by examiner

Primary Examiner — Zenia I Bennett

(74) *Attorney, Agent, or Firm* — Dunlap Bennett &
Ludwig PLLC

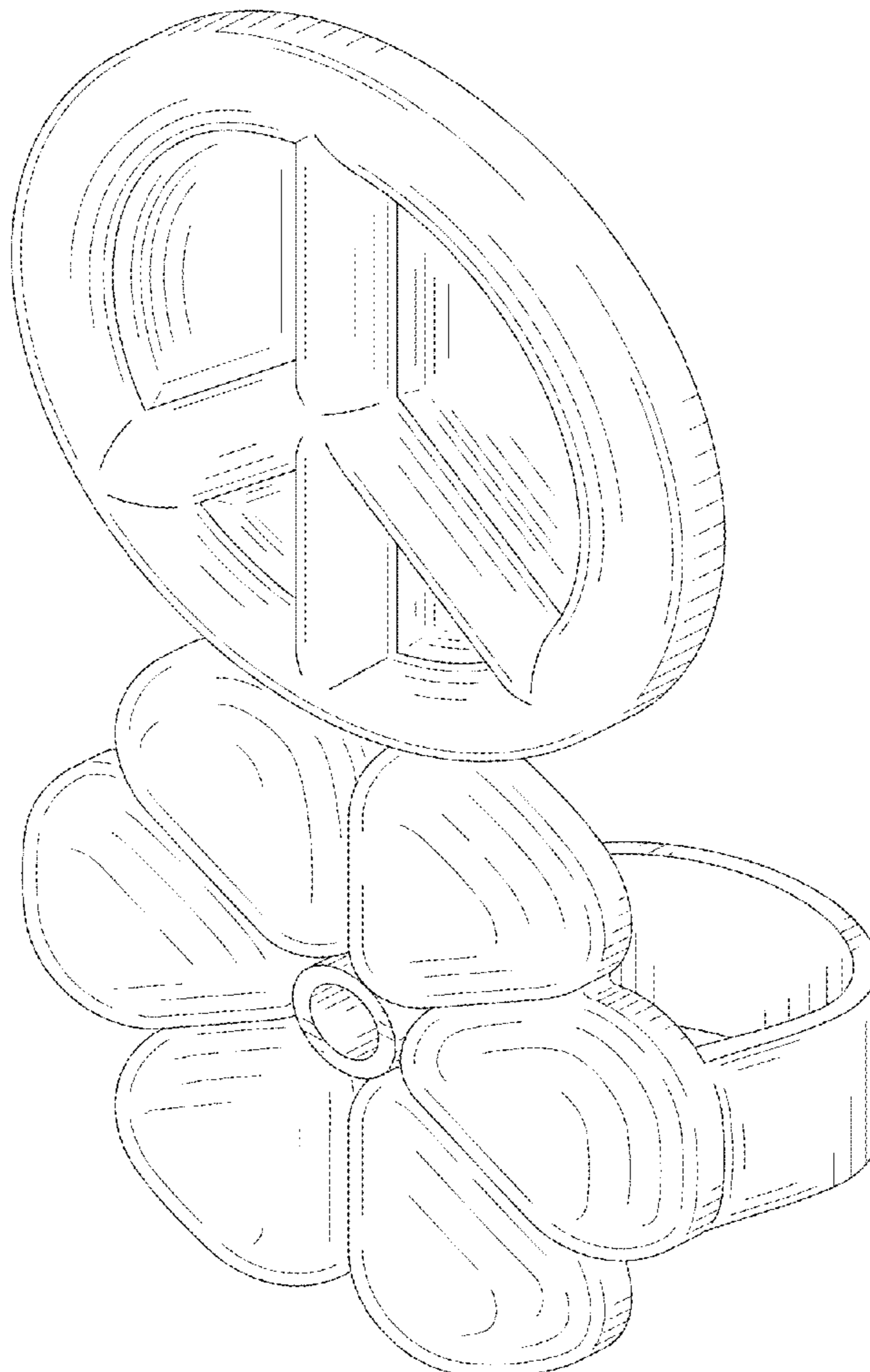
(57) **CLAIM**

The ornamental design for an earring back, as shown and described.

DESCRIPTION

FIG. 1 is a top front perspective view of an earring back;
FIG. 2 is a front elevation view thereof;
FIG. 3 is a rear elevation view thereof;
FIG. 4 is a right elevation view thereof;
FIG. 5 is a left elevation view thereof;
FIG. 6 is a top view thereof; and,
FIG. 7 is a bottom view thereof.

1 Claim, 5 Drawing Sheets



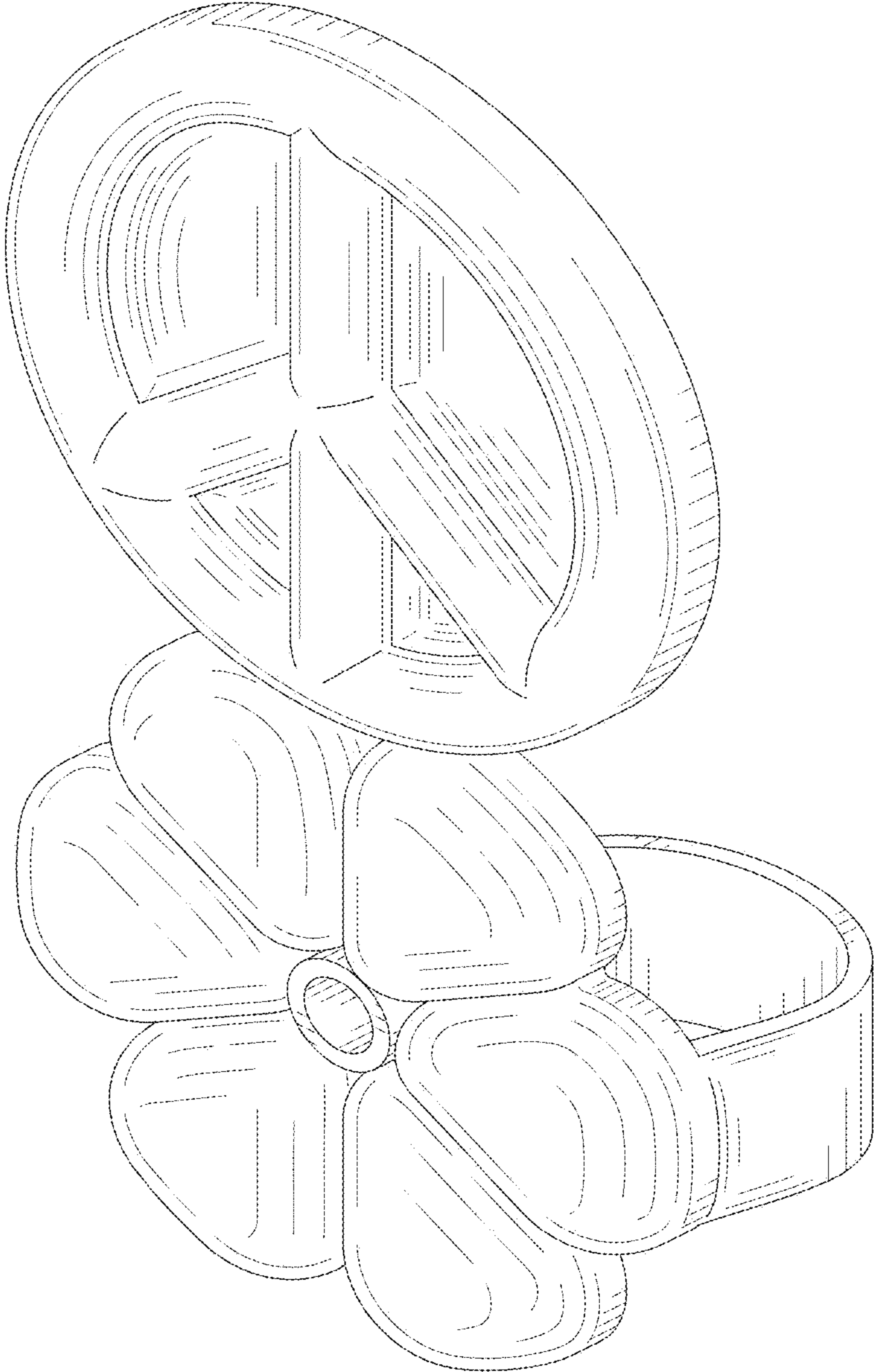


FIG. 1

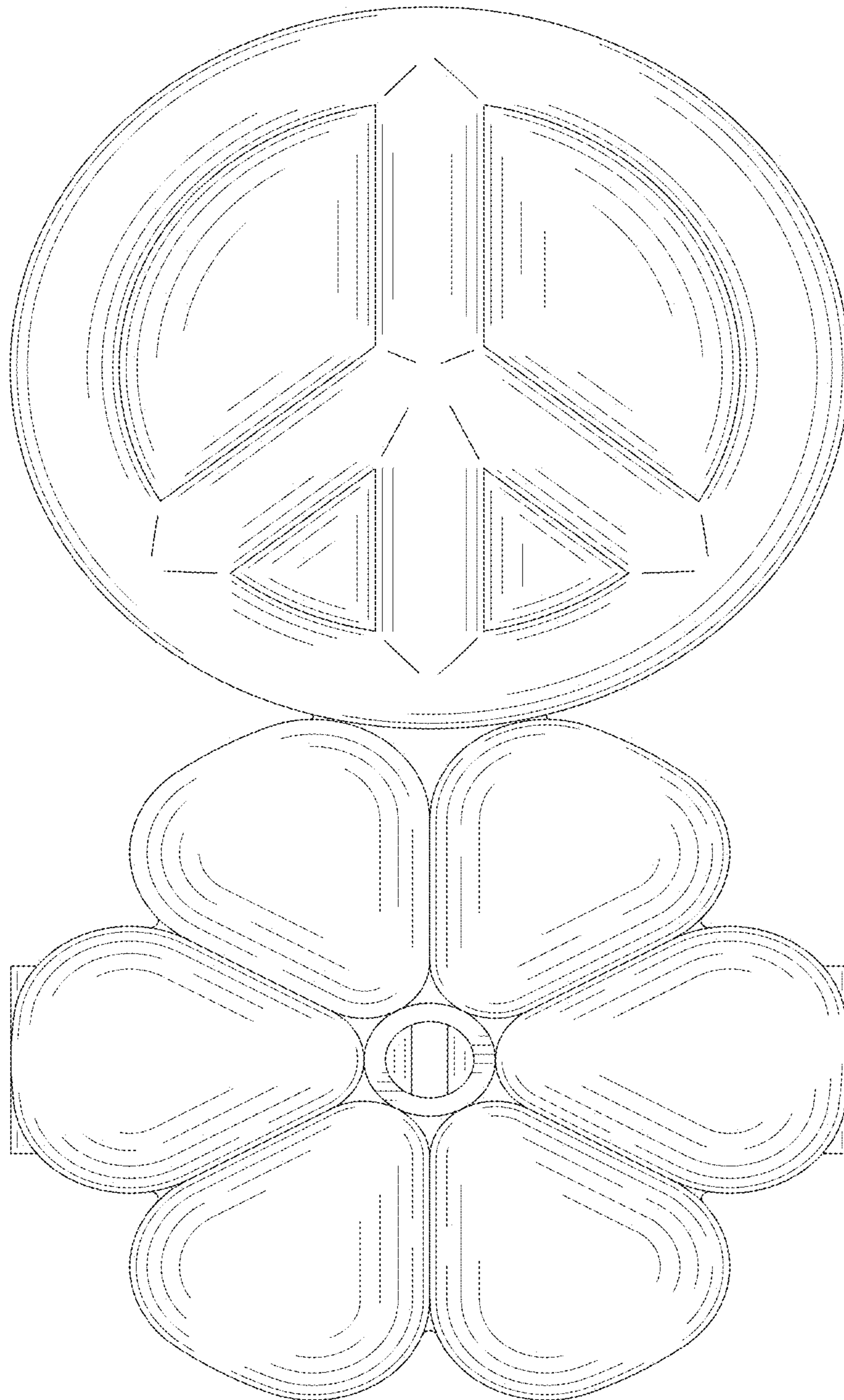


FIG. 2

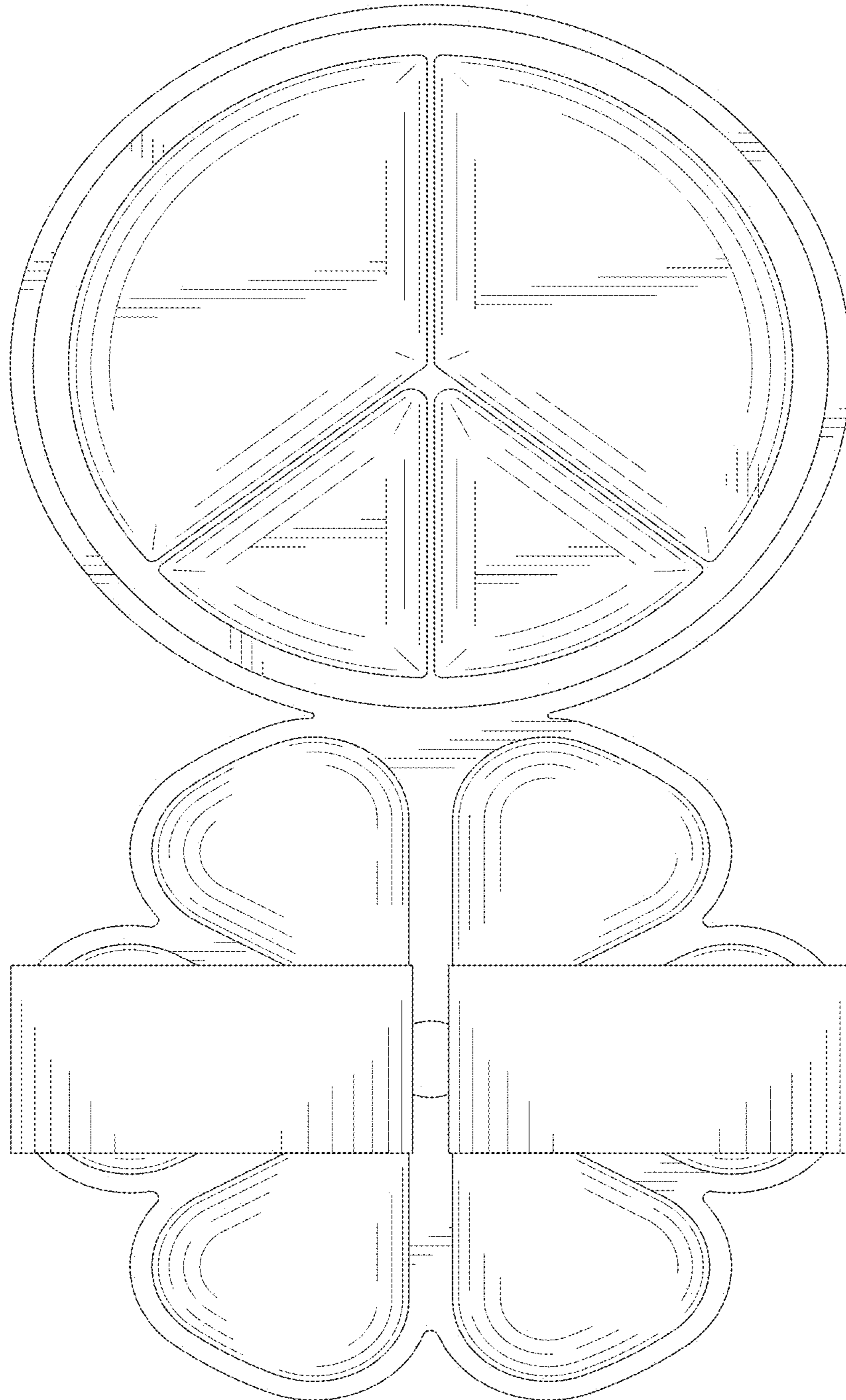


FIG. 3

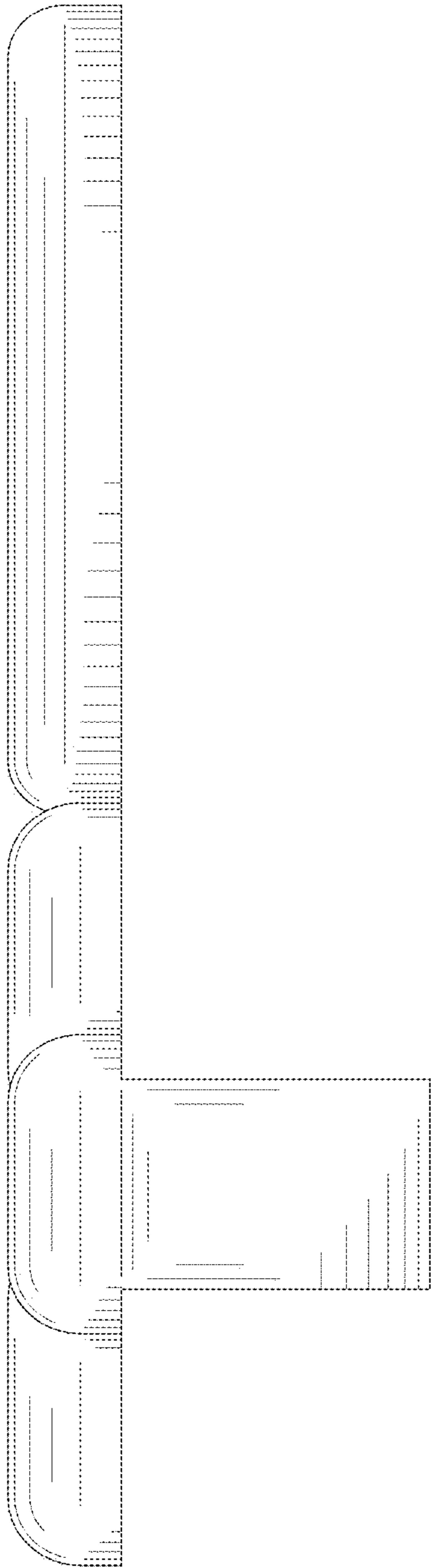


FIG. 4

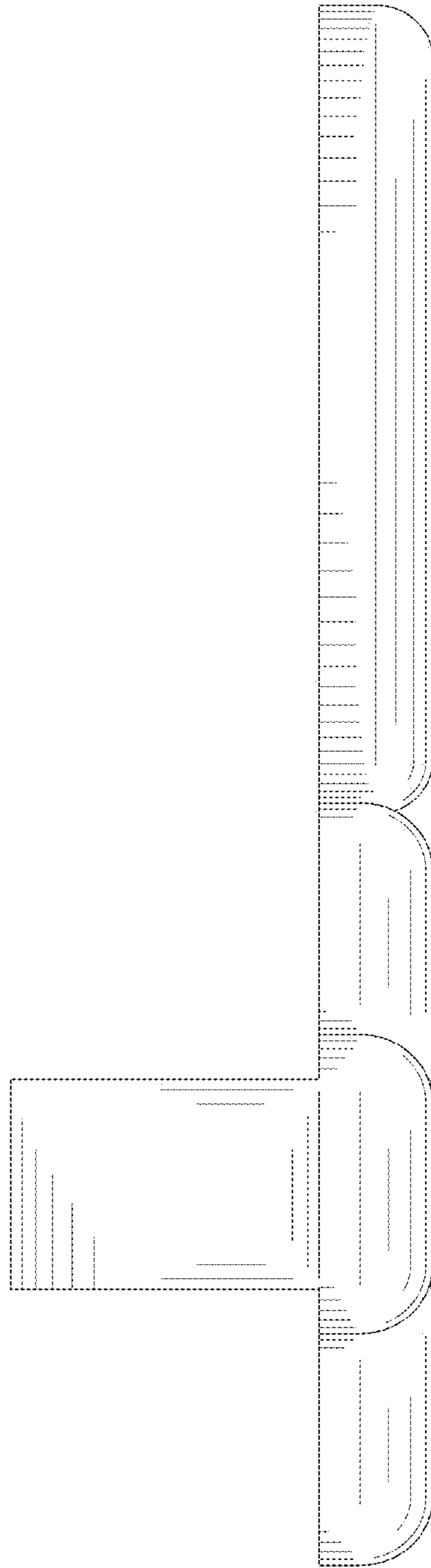


FIG. 5

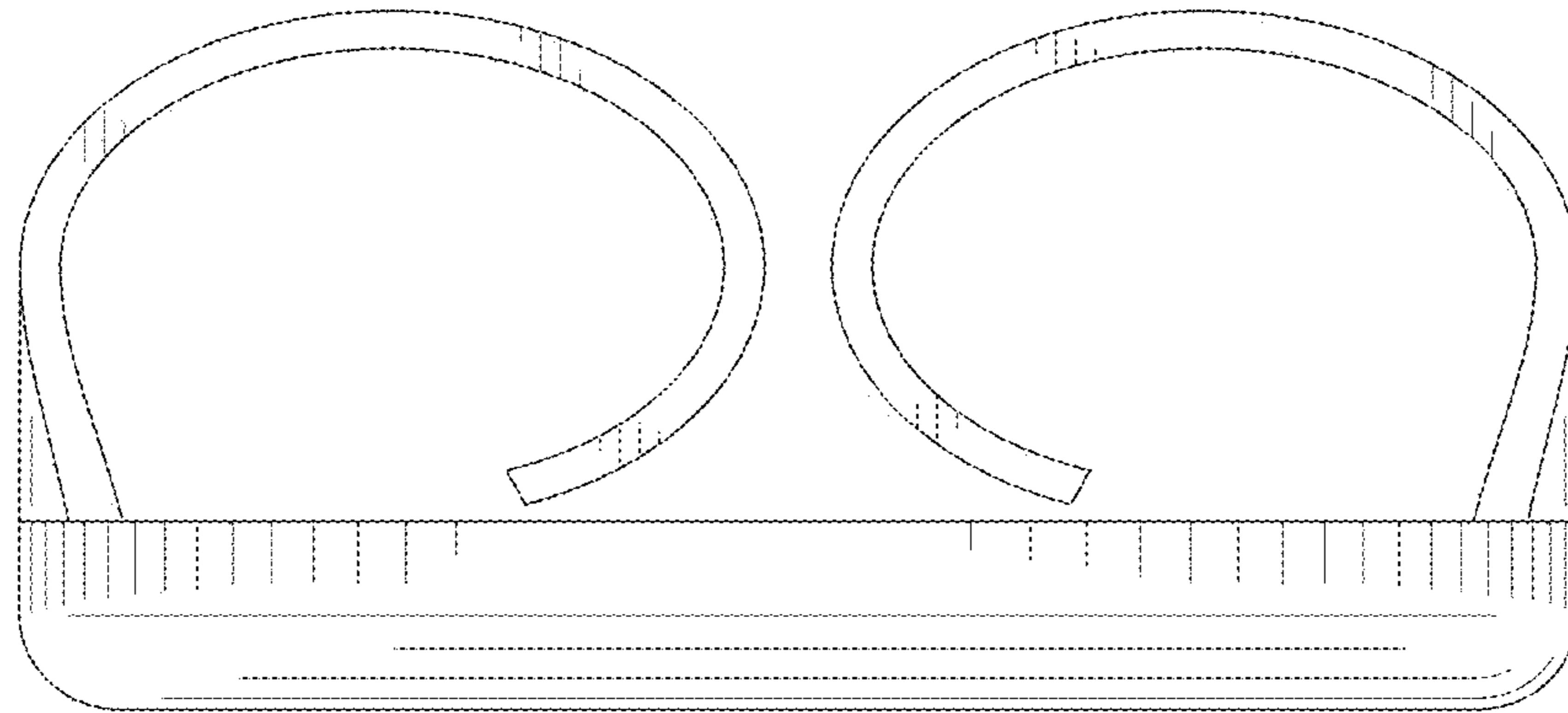


FIG. 6

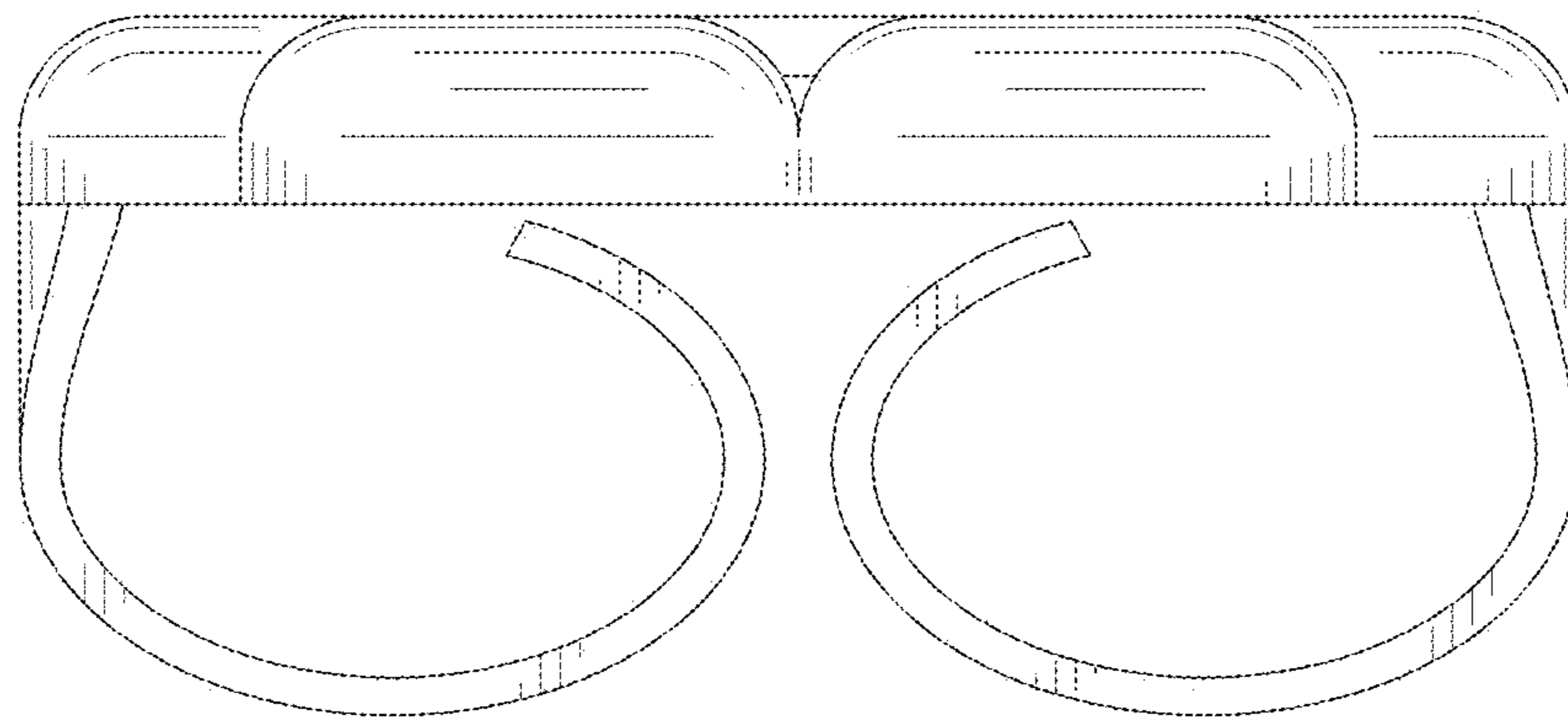


FIG. 7