



US00D887884S

(12) **United States Design Patent**
Oliveros et al.

(10) **Patent No.:** **US D887,884 S**
(45) **Date of Patent:** **** Jun. 23, 2020**

(54) **SECURITY CASE FOR A VIDEO DOORBELL**

D837,080 S 1/2019 Siminoff et al.
10,490,041 B1 * 11/2019 Churak G08B 3/10
10,615,995 B2 * 4/2020 Yu G06F 3/0488

(71) Applicants: **Rogelio Oliveros**, Corona, CA (US);
Jason Womble, Corona, CA (US)

(72) Inventors: **Rogelio Oliveros**, Corona, CA (US);
Jason Womble, Corona, CA (US)

(**) Term: **15 Years**

(21) Appl. No.: **29/679,347**

(22) Filed: **Feb. 5, 2019**

(51) **LOC (12) Cl.** **10-05**

(52) **U.S. Cl.**
USPC **D10/121**

(58) **Field of Classification Search**
USPC D10/104.1, 106.1, 121; D16/203
CPC G06F 3/0488; G08B 3/10
See application file for complete search history.

(56) **References Cited**

U.S. PATENT DOCUMENTS

D281,865 S	*	12/1985	Abel	D10/106.1
D287,704 S		1/1987	Wheeler		
D445,835 S		7/2001	Znutas		
D454,775 S		3/2002	Hirsch, III		
D579,810 S	*	11/2008	Campman	D10/104.1
8,536,991 B2		9/2013	Gilbert		
D798,177 S		9/2017	Siminoff et al.		
D825,639 S	*	8/2018	Kan	D16/203
D829,585 S		10/2018	Siminoff et al.		

OTHER PUBLICATIONS

Elmo Anti-theft bracket (TT-12 series) as found on the Protechprojection.com website. (Year: 2020).*
ring.com.

* cited by examiner

Primary Examiner — George D. Kirschbaum
(74) *Attorney, Agent, or Firm* — Kirk A. Buhler; Buhler & Associates Patenting

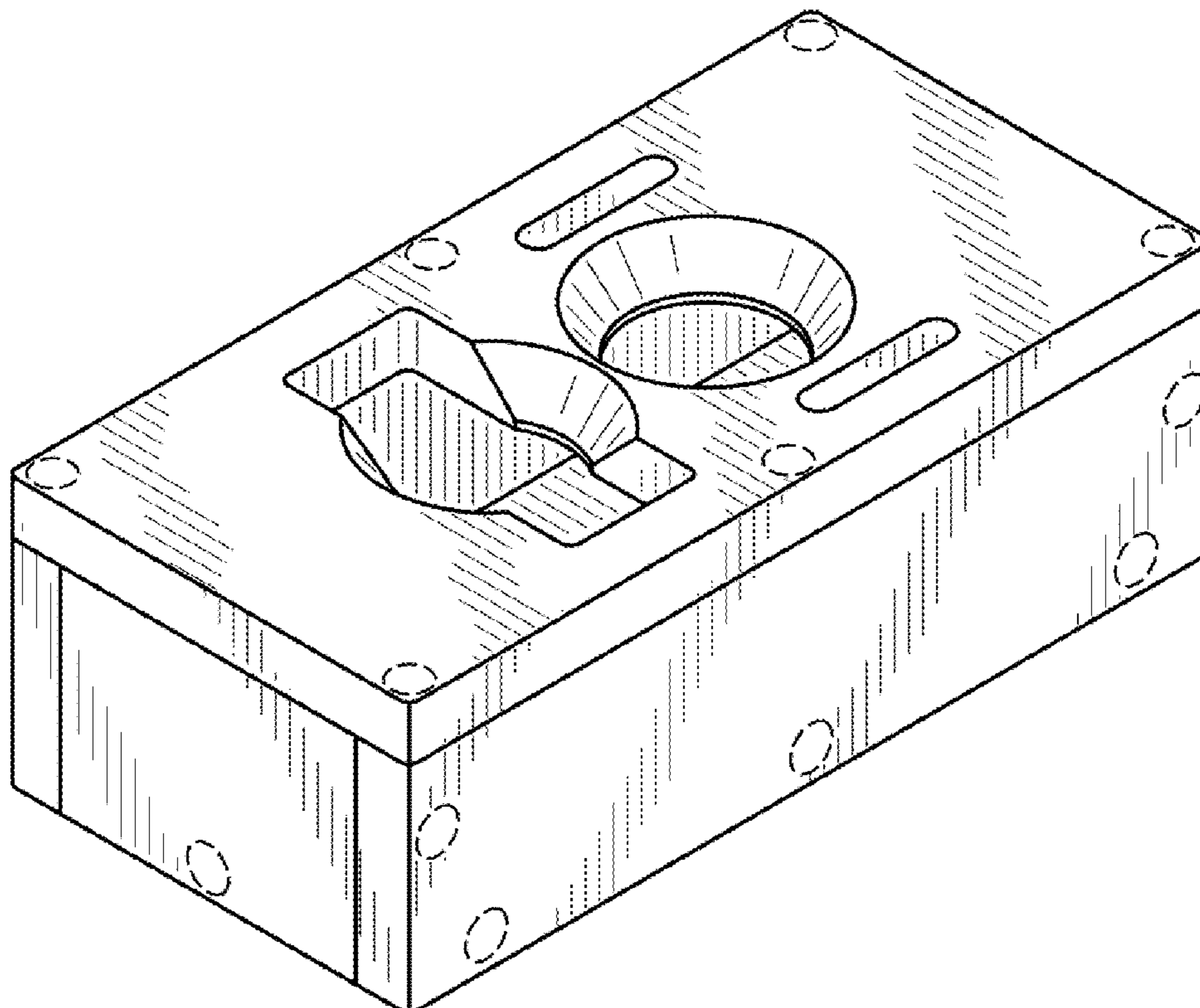
(57) **CLAIM**

The ornamental design for a security case for a video doorbell, as shown and described.

DESCRIPTION

FIG. 1 is a top perspective view of a security case for a video doorbell, showing our new design;
FIG. 2 is a front elevation view thereof;
FIG. 3 is a rear elevation view thereof;
FIG. 4 is a left side elevation view, the right-side elevation view being a mirror image thereof; and,
FIG. 5 is a top plan view, the bottom view being a mirror image thereof.
The broken lines in FIGS. 1, 2, 4 and 5 depict environmental subject matter of and form no part of the claimed design.

1 Claim, 1 Drawing Sheet



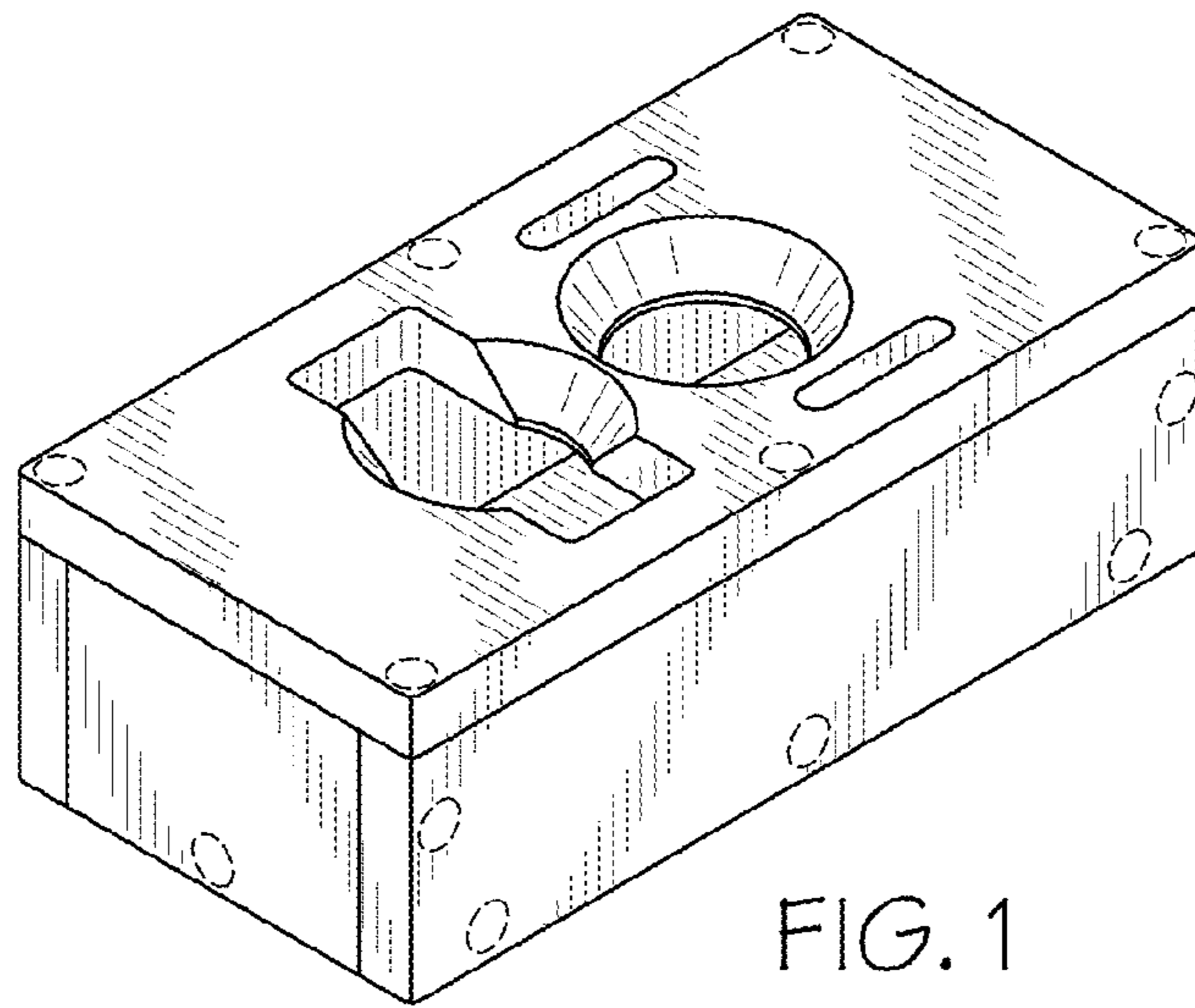


FIG. 1

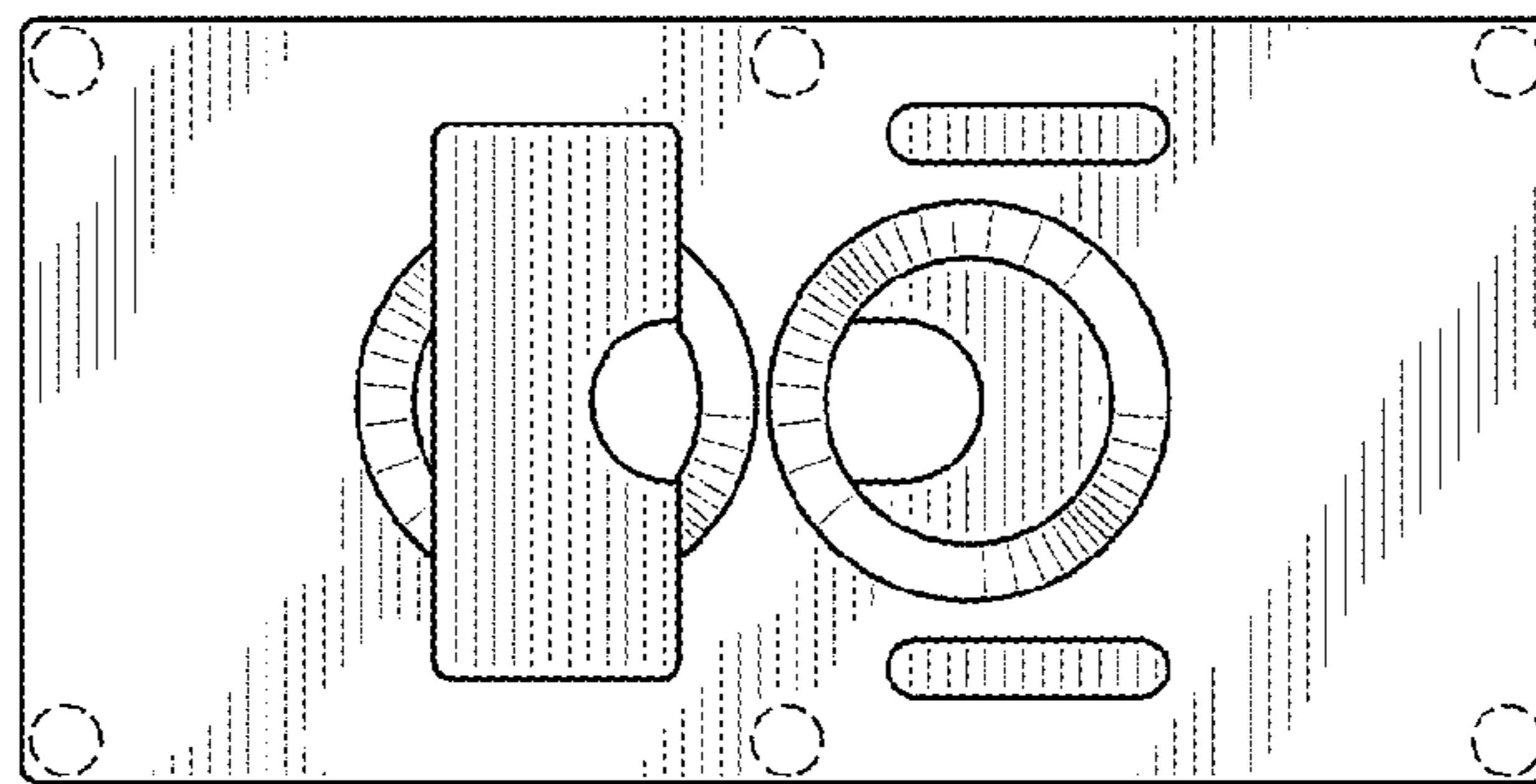


FIG. 2

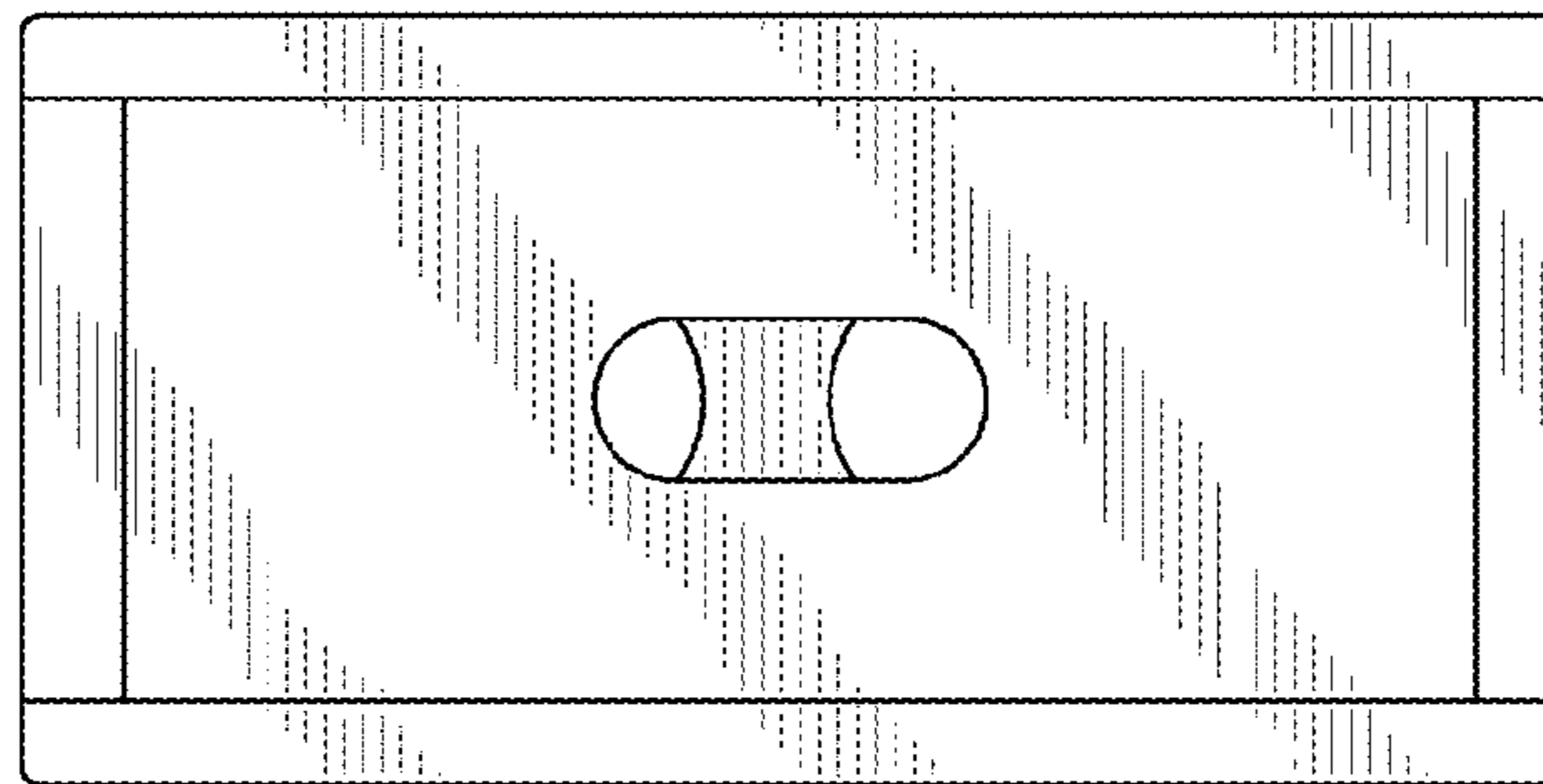


FIG. 3

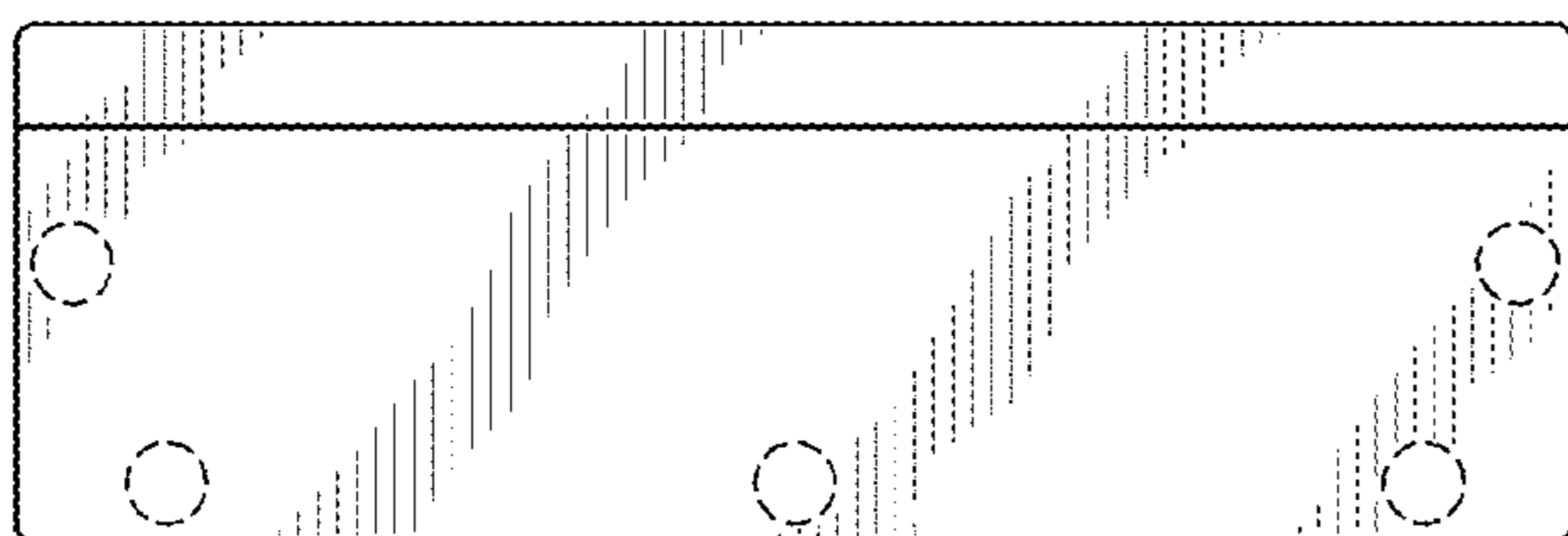


FIG. 4

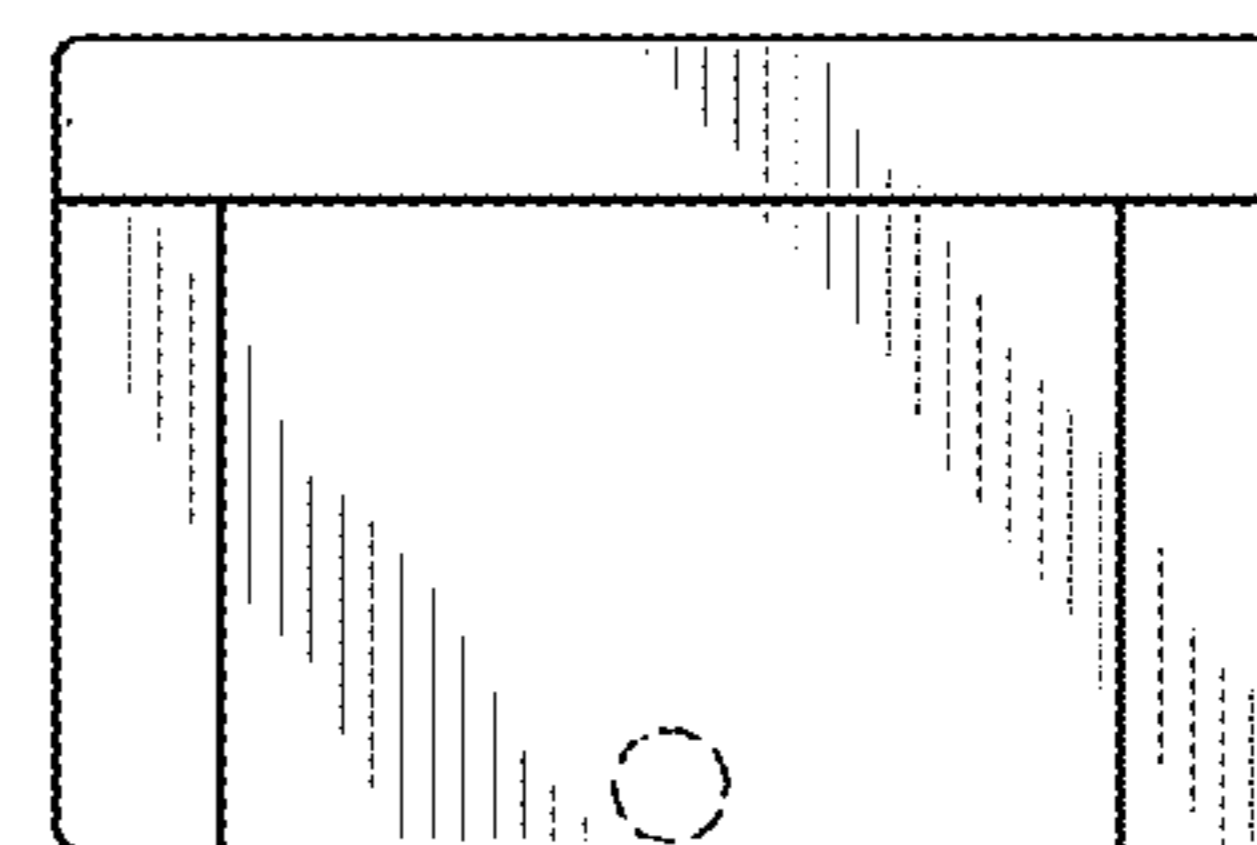


FIG. 5