



US00D887883S

(12) **United States Design Patent** (10) **Patent No.:** **US D887,883 S**  
**Fujiwara et al.** (45) **Date of Patent:** **\*\* Jun. 23, 2020**

(54) **FIRE DETECTOR**

(71) Applicant: **Hochiki Corporation**, Tokyo (JP)  
 (72) Inventors: **Yasuharu Fujiwara**, Tokyo (JP); **Isao Saeki**, Tokyo (JP)

(73) Assignee: **HOCHIKI CORPORATION**, Tokyo (JP)

(\*\*) Term: **15 Years**

(21) Appl. No.: **35/506,755**

(22) Filed: **Nov. 15, 2018**

(80) **Hague Agreement Data**

Int. Filing Date: **Nov. 15, 2018**  
 Int. Reg. No.: **DM/103850**  
 Int. Reg. Date: **Nov. 15, 2018**  
 Int. Reg. Pub. Date: **May 17, 2019**

(30) **Foreign Application Priority Data**

Jun. 6, 2018 (JP) ..... 2018-012404

(51) **LOC (12) Cl.** ..... **10-05**

(52) **U.S. Cl.**  
USPC ..... **D10/106.5**

(58) **Field of Classification Search**  
 USPC ..... D10/106.5  
 See application file for complete search history.

(56) **References Cited**

U.S. PATENT DOCUMENTS

D588,485 S \* 3/2009 Katou ..... D10/106.5  
 D665,289 S \* 8/2012 Thalhammer ..... D10/106.5

\* cited by examiner

*Primary Examiner* — George D. Kirschbaum  
 (74) *Attorney, Agent, or Firm* — Andrew F. Young, Esq.;  
 Lackenbach Siegel, LLP

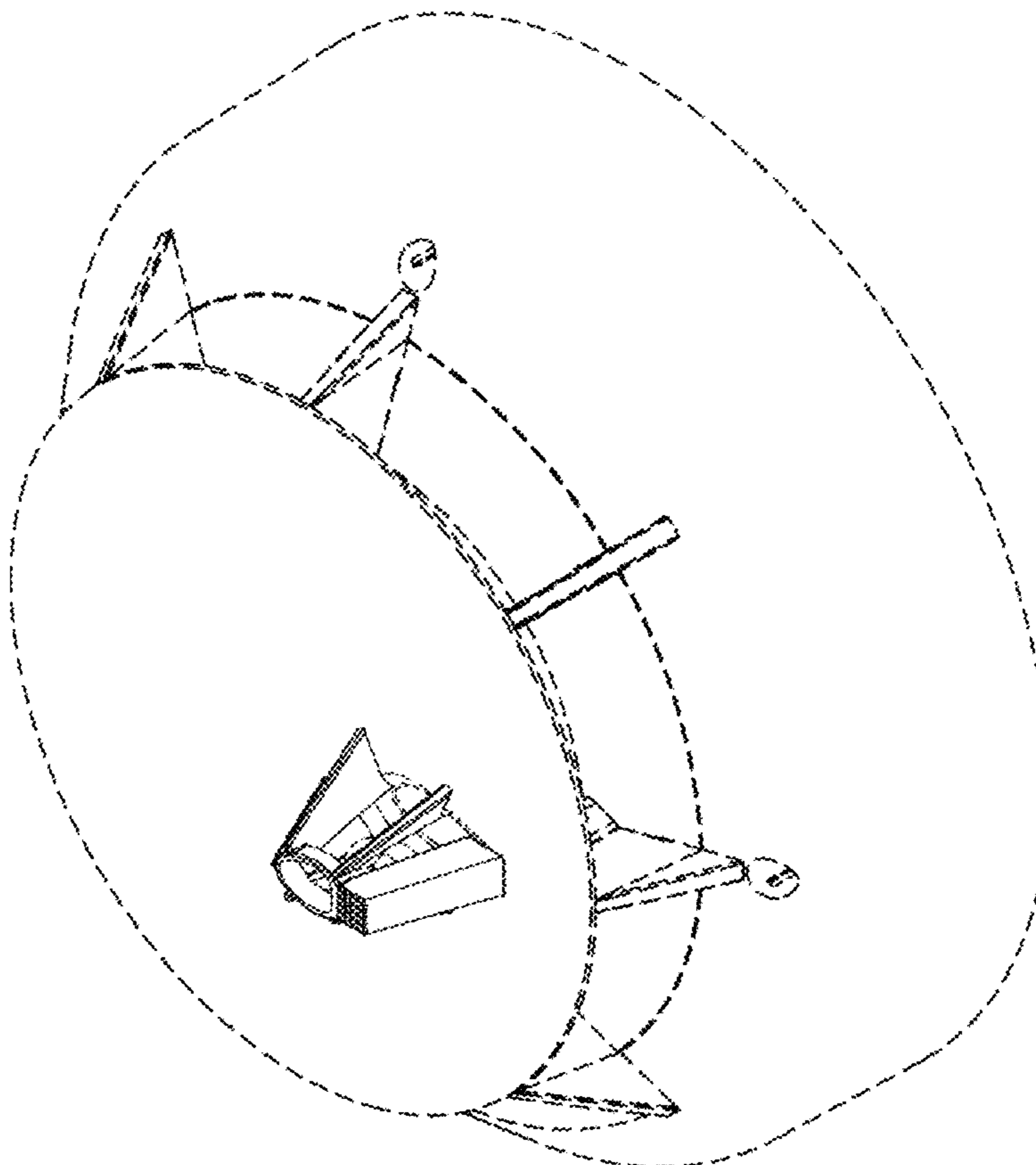
(57) **CLAIM**

The ornamental design for fire detector, as shown and described.

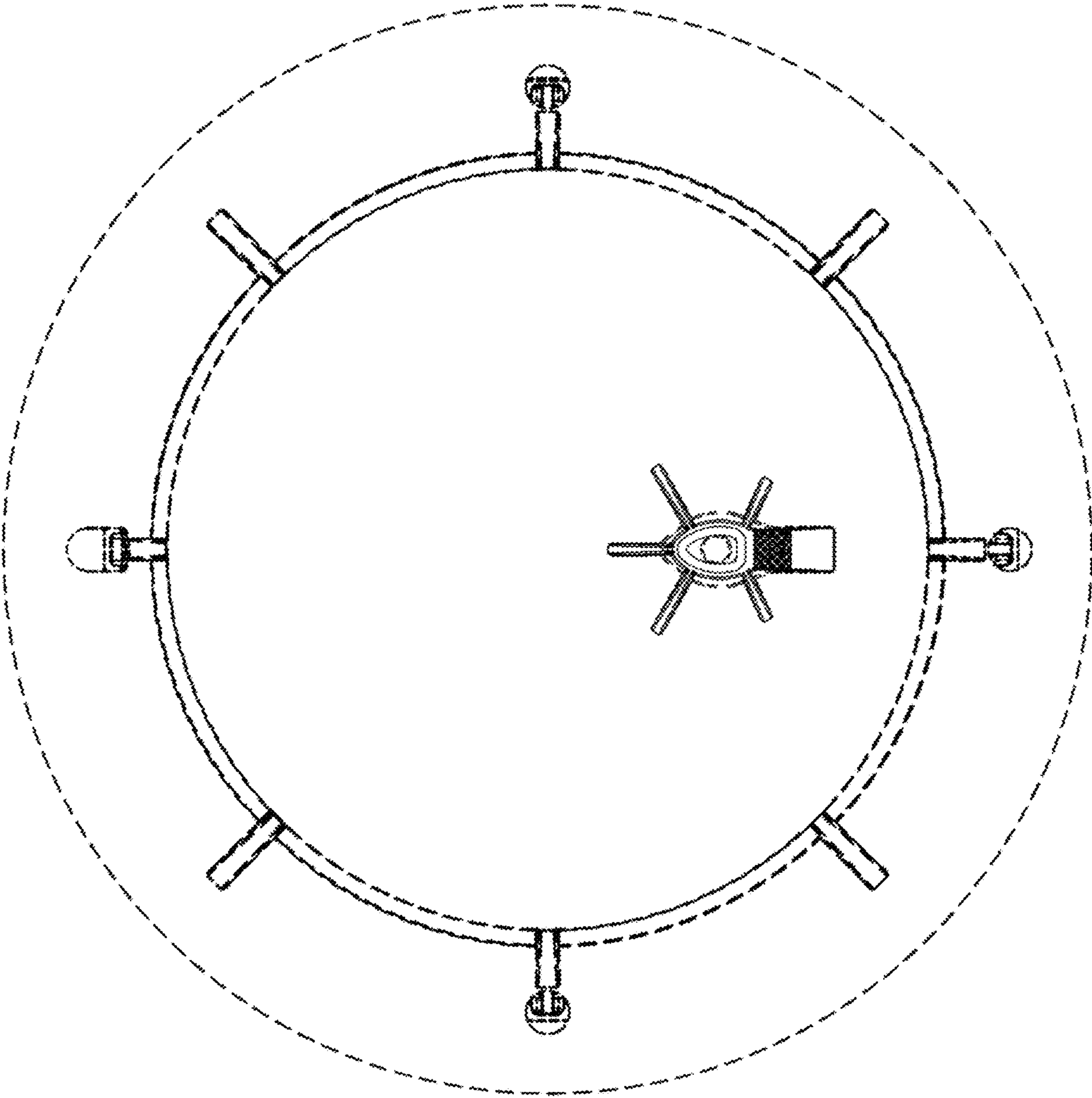
**DESCRIPTION**

1.1 is a top view.  
 1.2 is a bottom view.  
 1.3 is a side view.  
 1.4 is a side view.  
 1.5 is a side view.  
 1.6 is a side view.  
 1.7 is a perspective view.  
 The broken line showing is included for the purpose of illustrating portions of the fire detector and form no part of the claimed design.

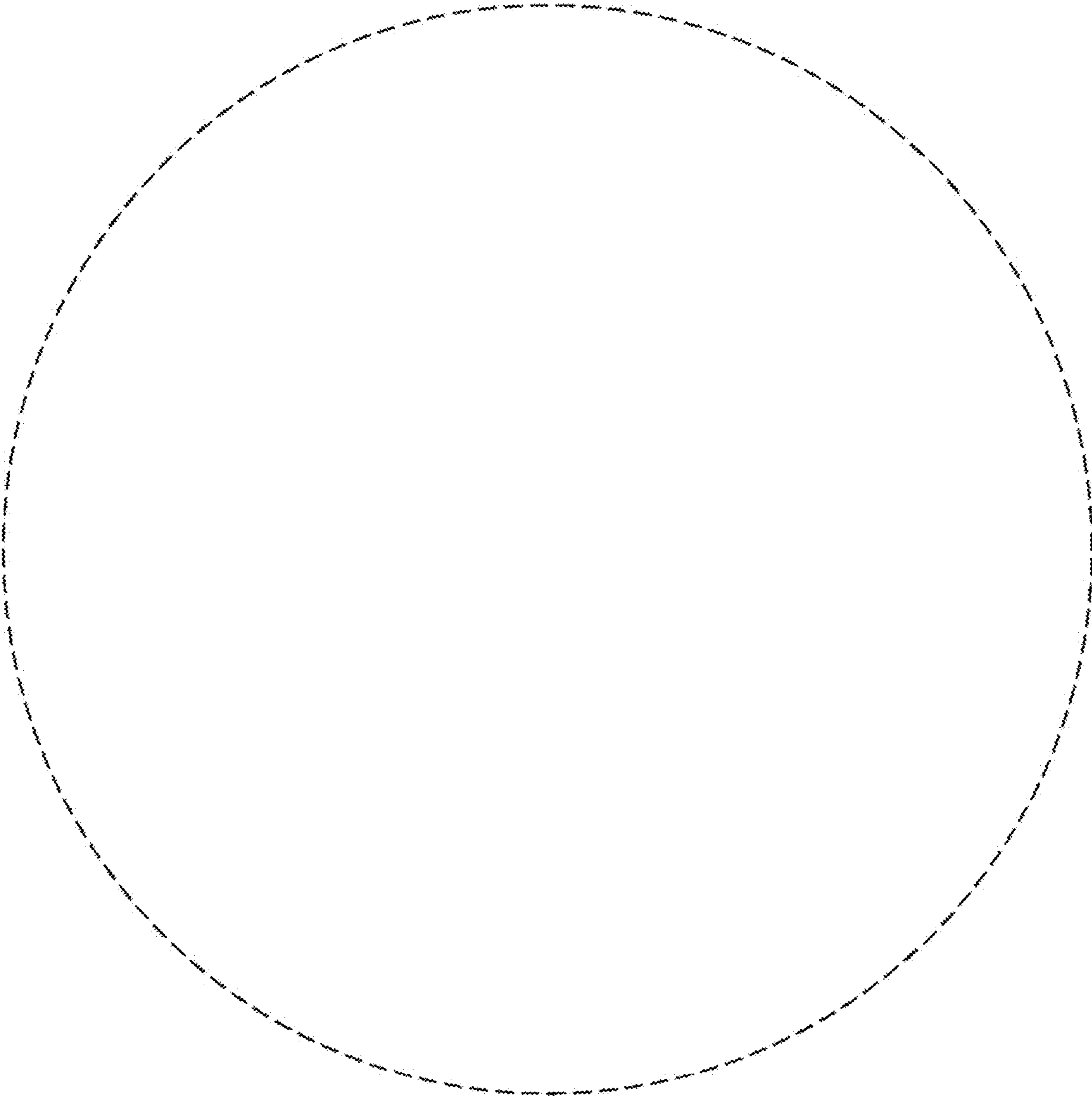
**1 Claim, 7 Drawing Sheets**



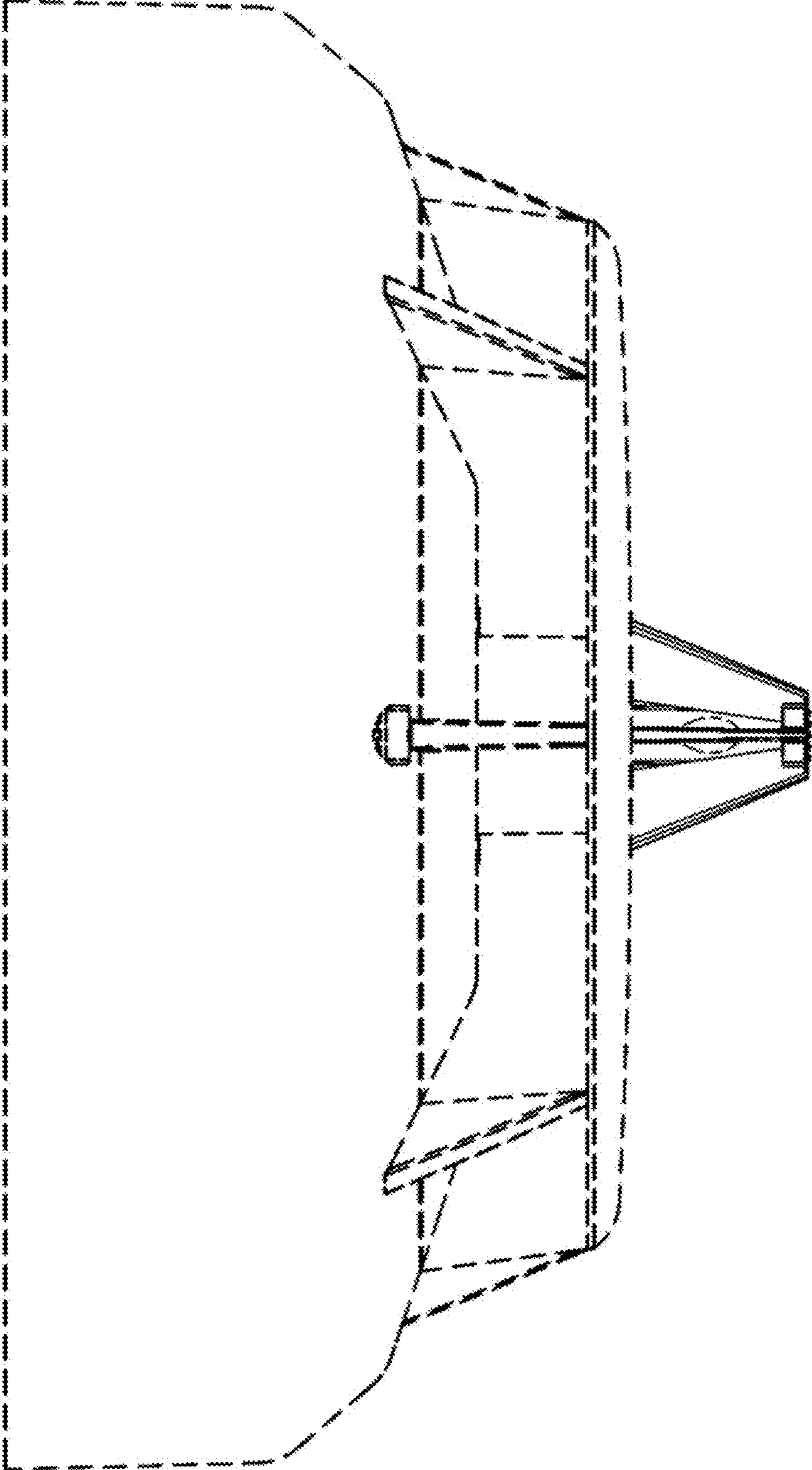
1.1



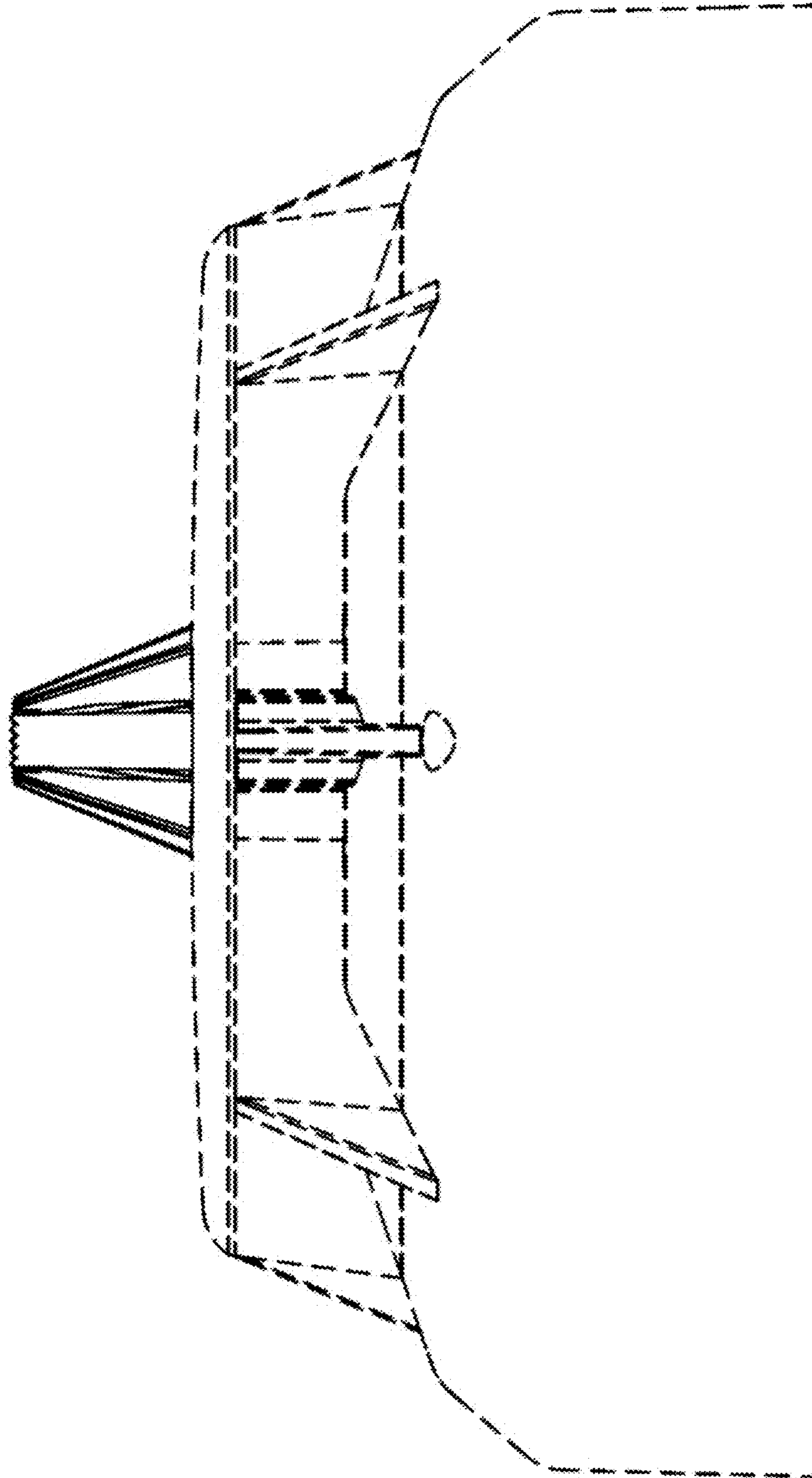
1.2



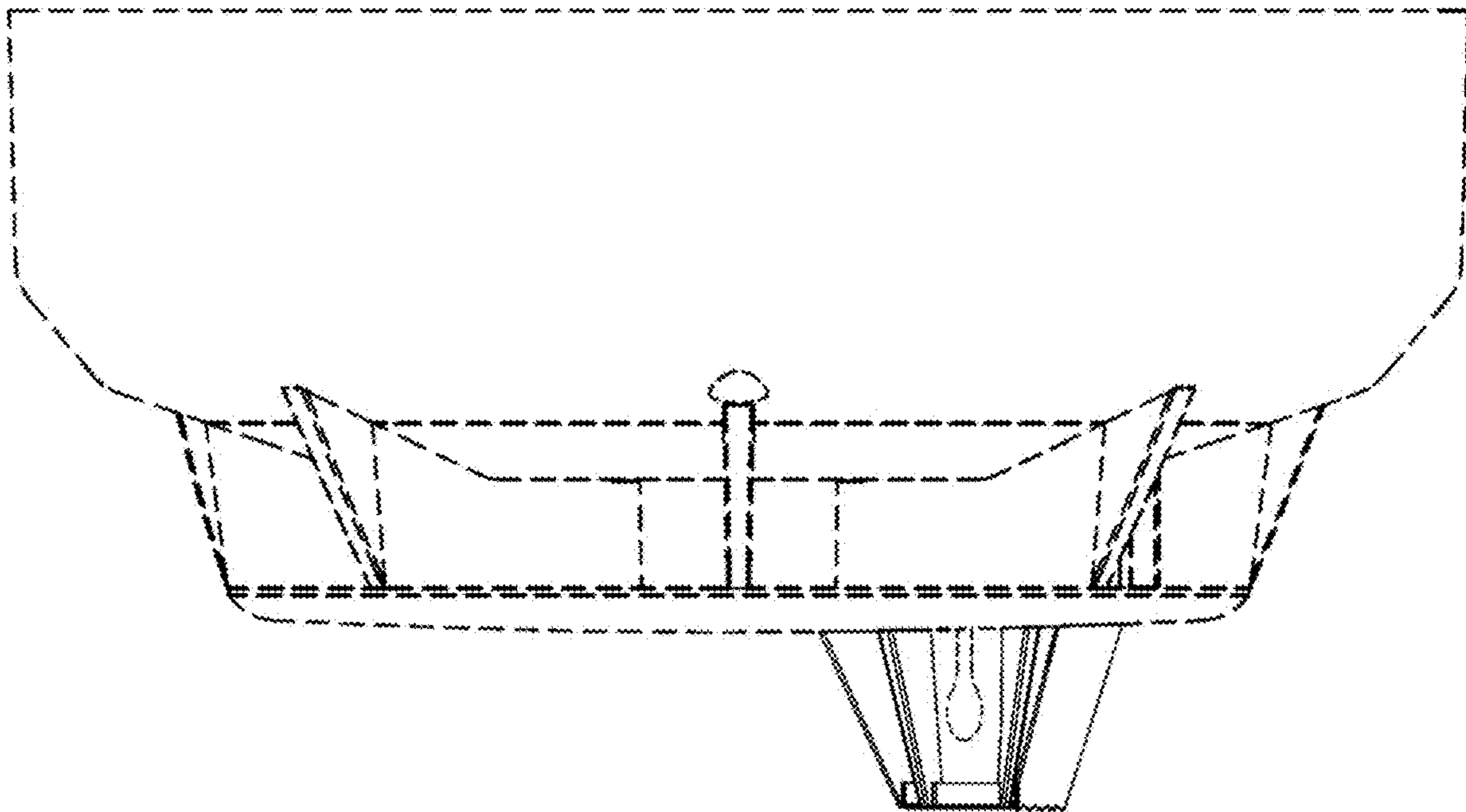
1.3



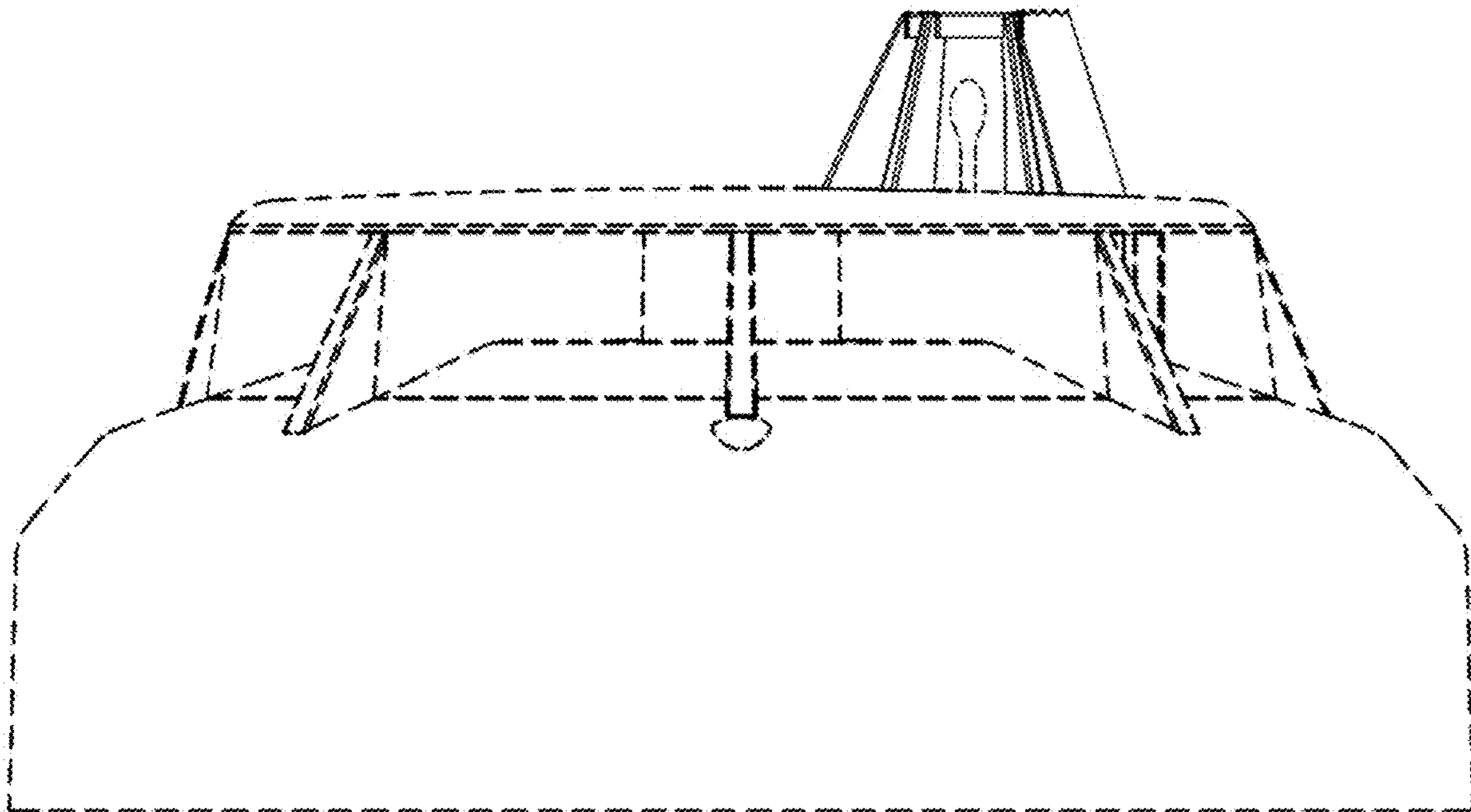
1.4



1.5



1.6



1.7

