



US00D887877S

(12) **United States Design Patent**
Rustill

(10) **Patent No.:** **US D887,877 S**

(45) **Date of Patent:** **** Jun. 23, 2020**

(54) **CROSS LASER GENERATING TOOL**

(56) **References Cited**

(71) Applicant: **7RDD Limited**, York (GB)

U.S. PATENT DOCUMENTS

(72) Inventor: **Neil Aaron Rustill**, York (GB)

7,181,853 B2 * 2/2007 Heger G01C 15/00
33/281

(73) Assignee: **7RDD LIMITED**, Dunnington York
North Yorkshire (GB)

D573,489 S * 7/2008 Sauvage D10/69
7,392,592 B2 * 7/2008 Bublitz G01C 15/004
33/290

(**) Term: **15 Years**

* cited by examiner

(21) Appl. No.: **29/675,372**

Primary Examiner — Antoine Duval Davis
(74) *Attorney, Agent, or Firm* — Woodard, Emhardt,
Henry, Reeves & Wagner, LLP

(22) Filed: **Dec. 31, 2018**

(57) **CLAIM**

The ornamental design for a cross laser generating tool, as shown and described.

Related U.S. Application Data

DESCRIPTION

(63) Continuation of application No. 29/606,848, filed on Jun. 8, 2017, now abandoned.

(51) **LOC (12) Cl.** **10-04**

(52) **U.S. Cl.**
USPC **D10/69**

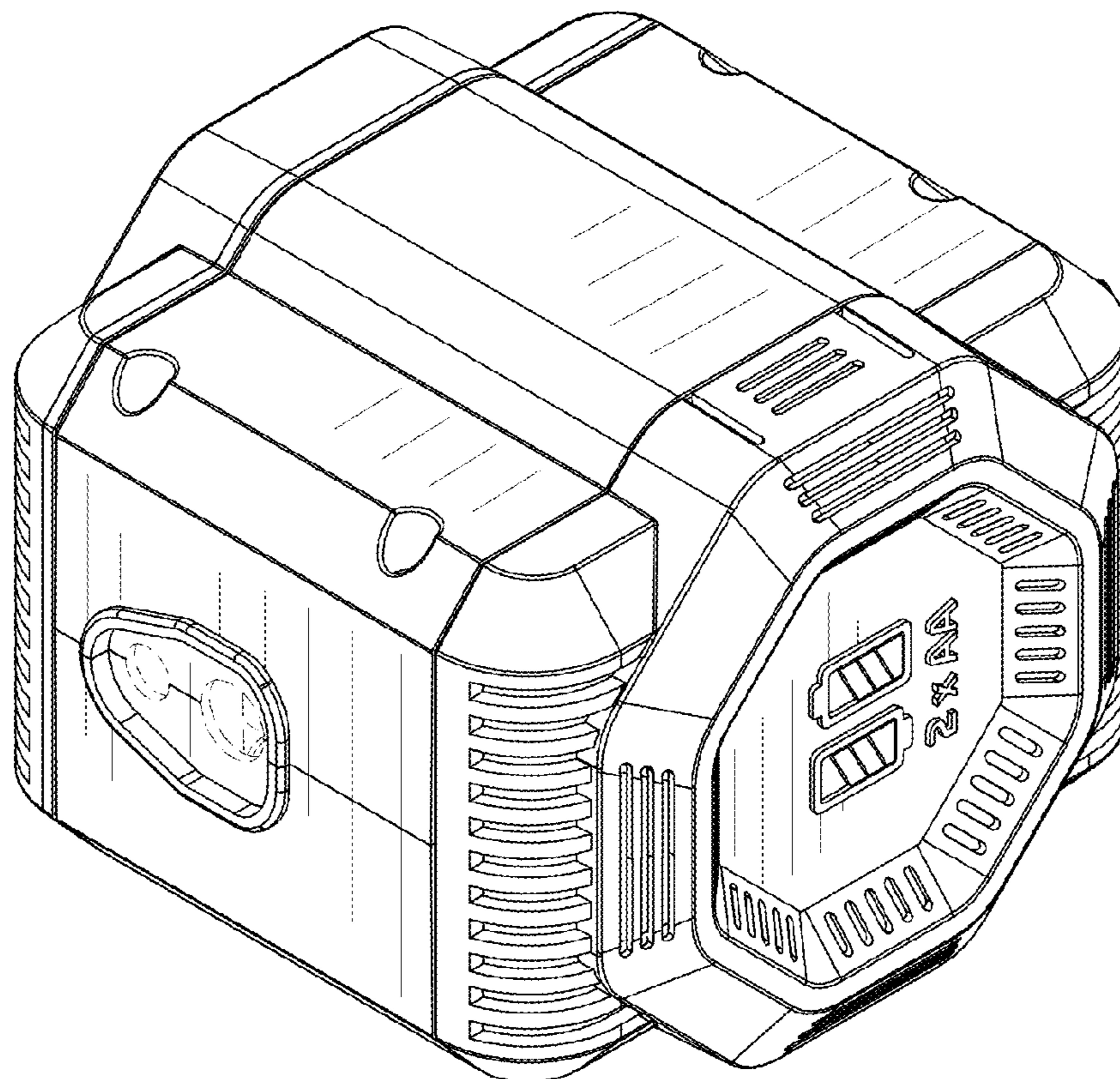
(58) **Field of Classification Search**
USPC D10/66, 69
CPC G01C 15/00; G01C 15/002; G01C 15/004;
G01C 15/006; G01C 15/008; G01C
15/02; G01C 15/04; G01C 15/06; G01C
15/08; G01C 15/10; G01C 15/105; G01C
15/12; G01C 15/14; G01C 23/00

FIG. 1 is a perspective view of the cross laser generating tool incorporating my new design;
FIG. 2 is a front view thereof;
FIG. 3 is a top view thereof;
FIG. 4 is a bottom view thereof;
FIG. 5 is a left view thereof;
FIG. 6 is a right view thereof; and,
FIG. 7 is a rear view thereof.

The portions of the cross laser generating tool shown in FIGS. 1, 2, 5 and 7 in broken lines form no part of the claimed design.

See application file for complete search history.

1 Claim, 4 Drawing Sheets



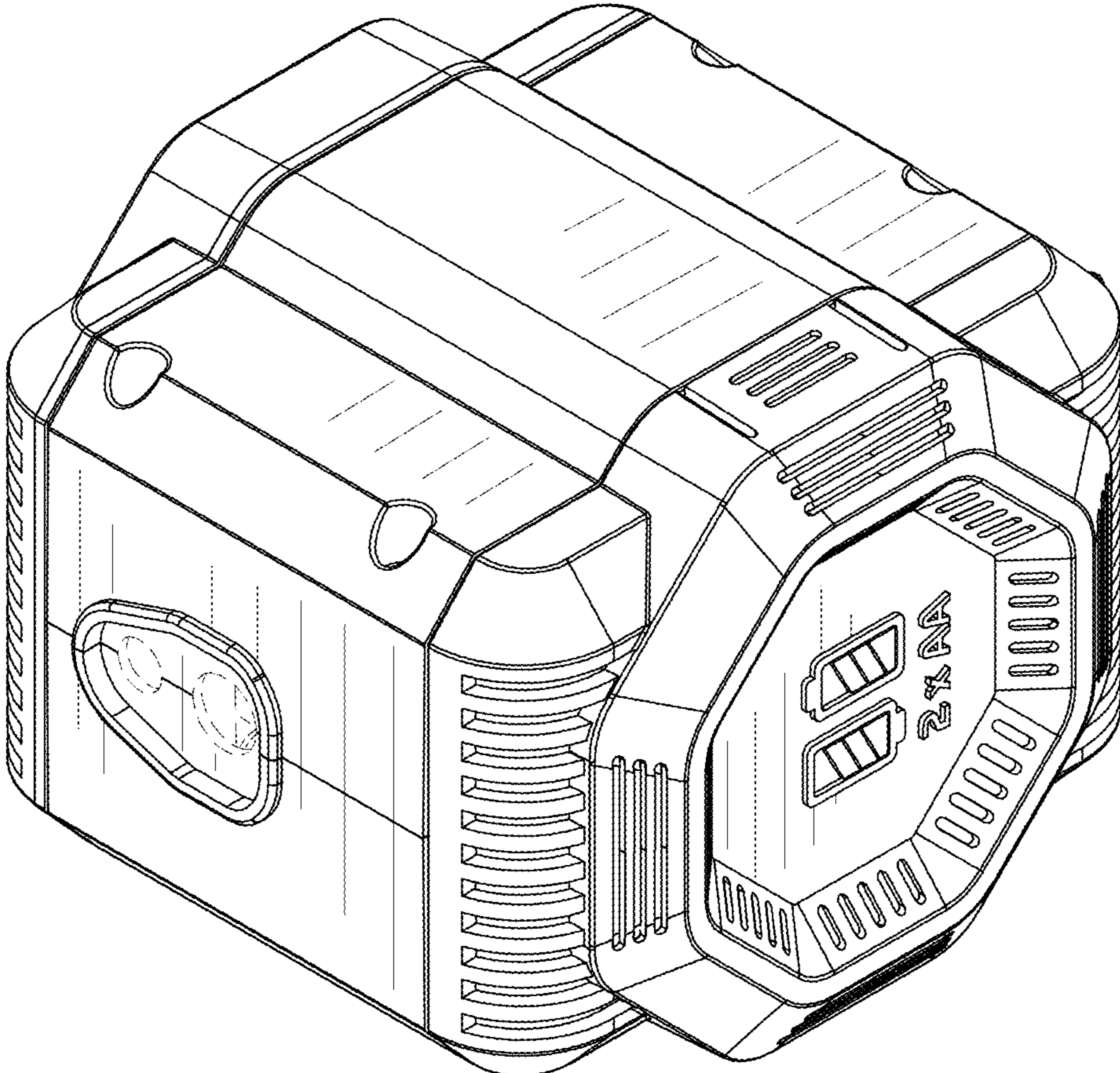


Fig. 1

Fig. 2

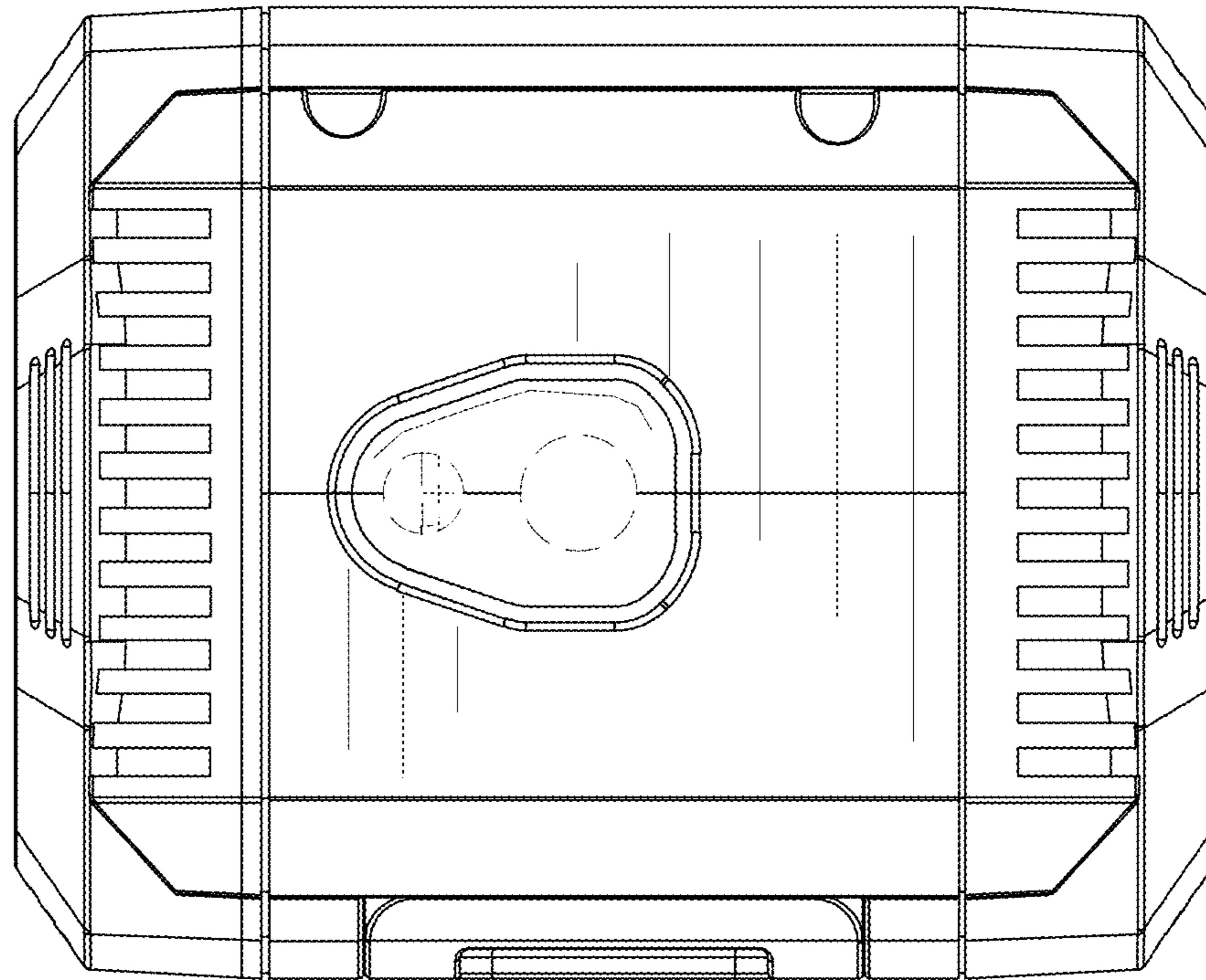


Fig. 3

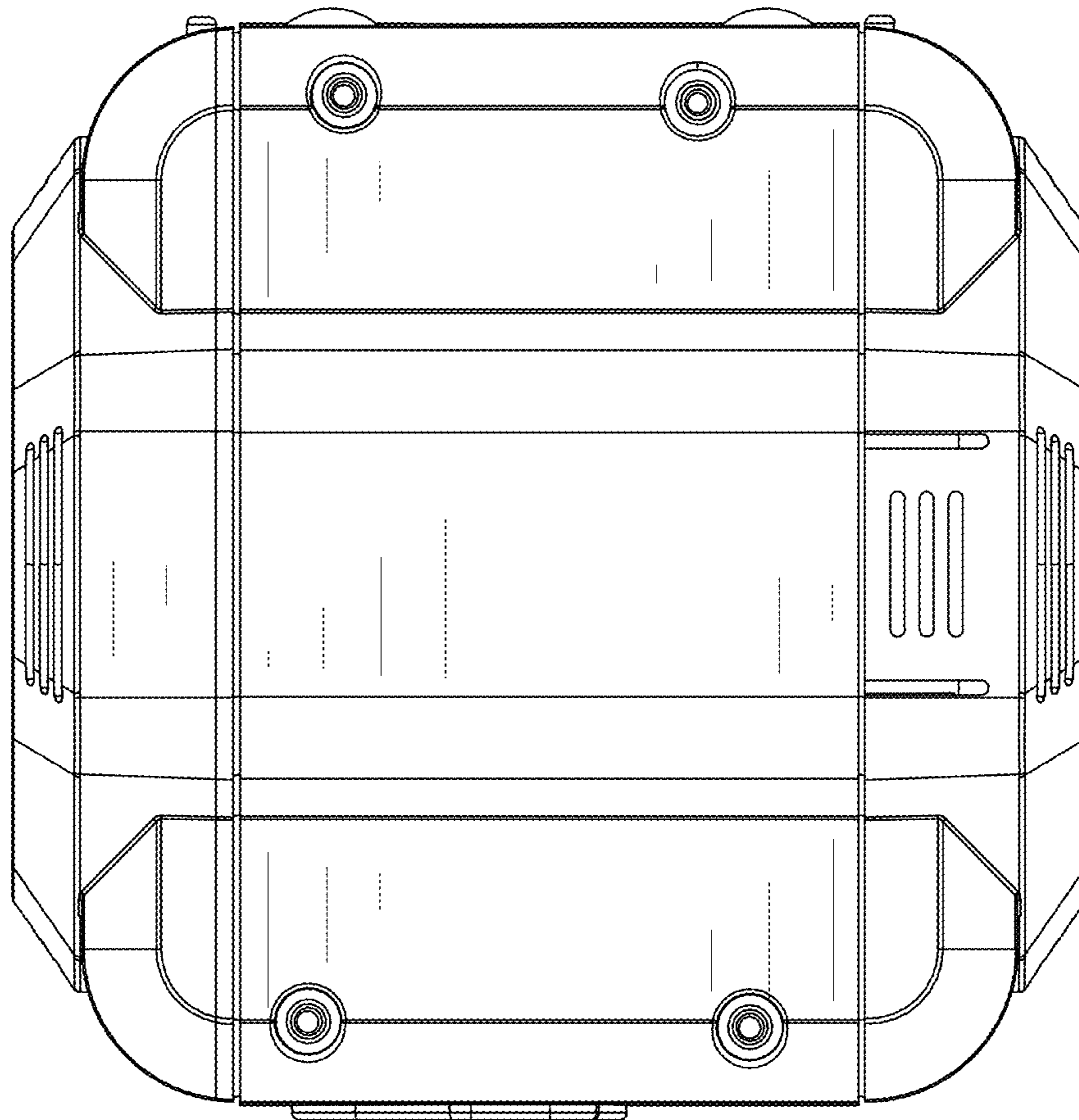


Fig. 4

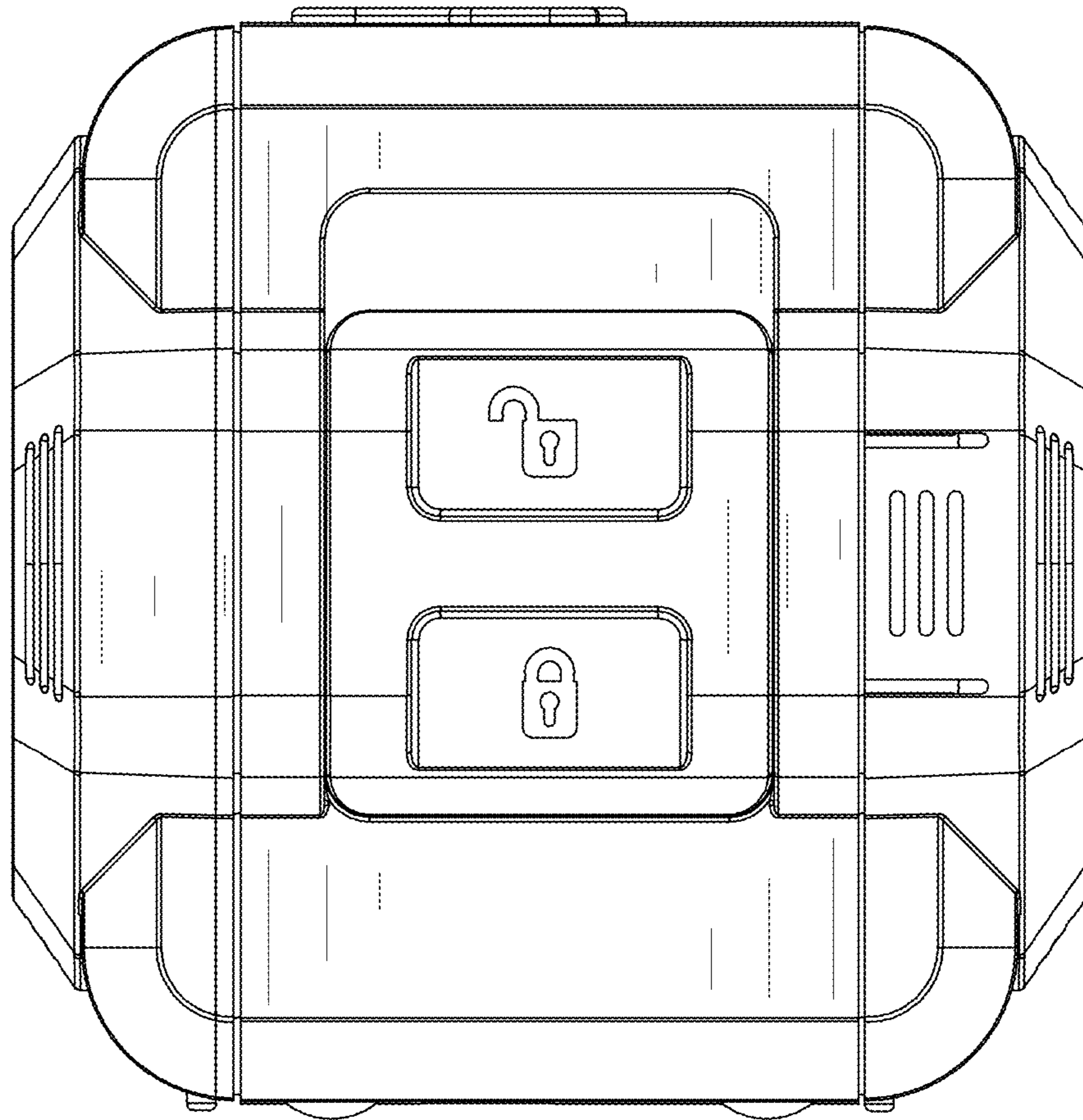


Fig. 5

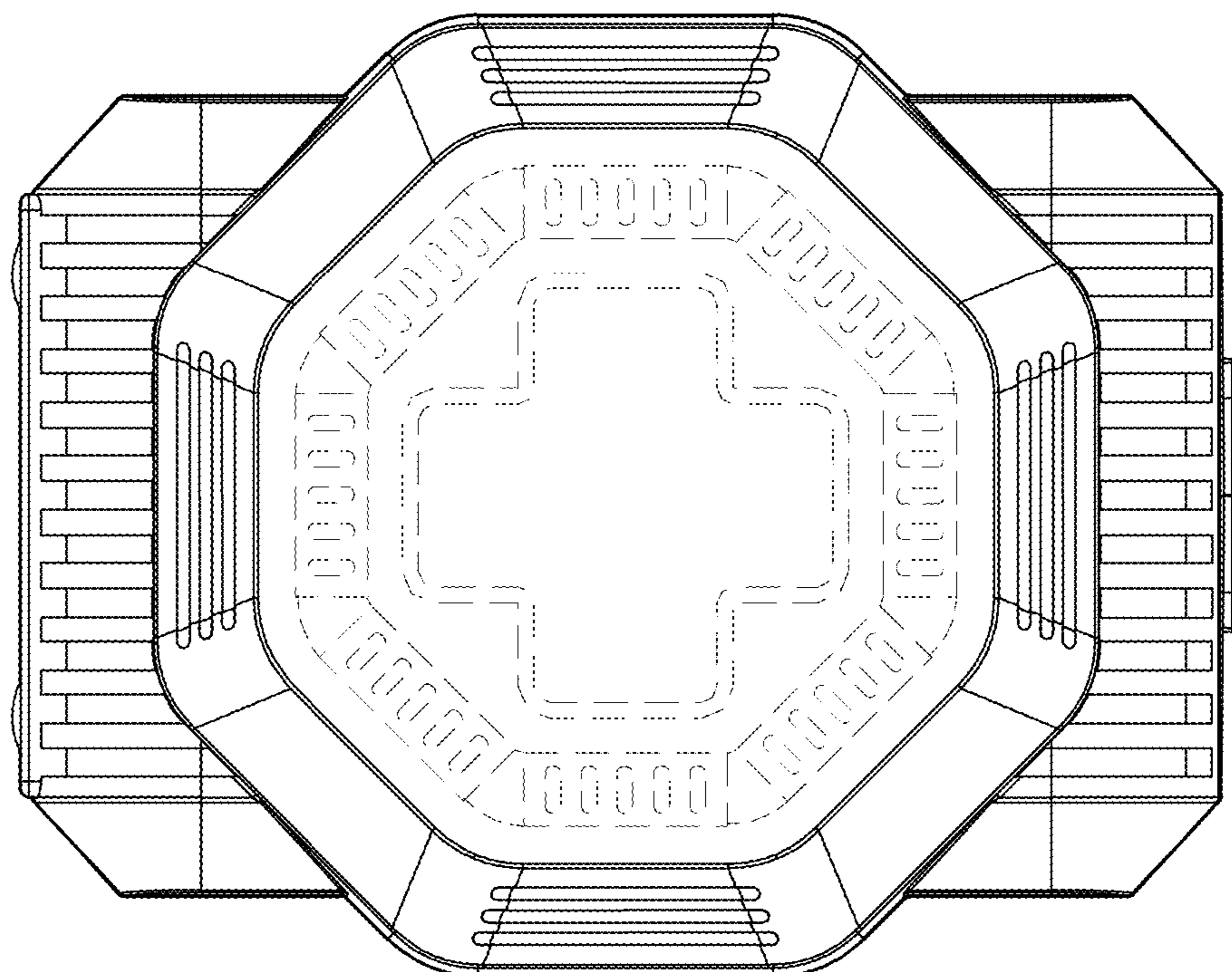


Fig. 6

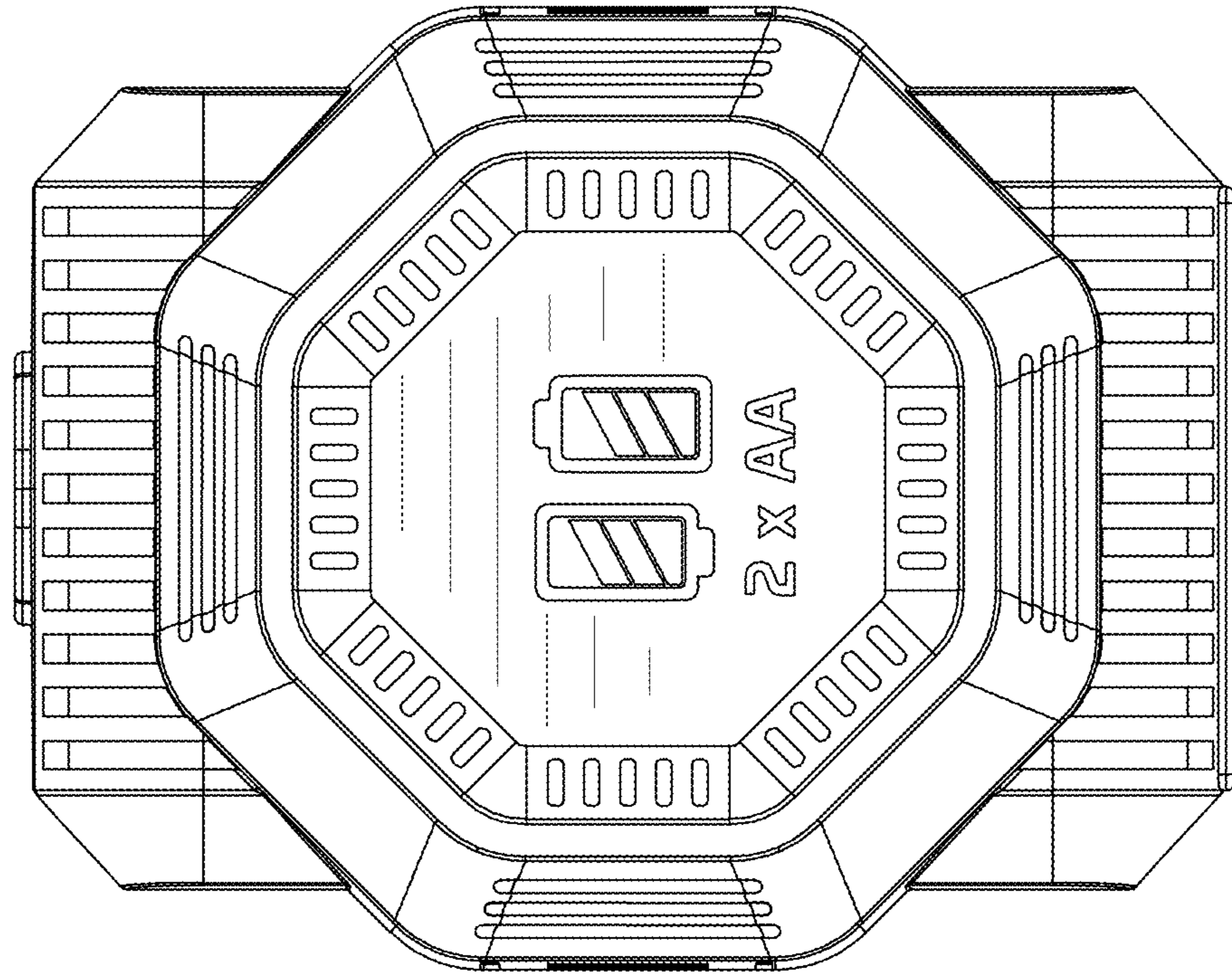


Fig. 7

