



US00D887875S

(12) **United States Design Patent**
Mackey

(10) **Patent No.:** **US D887,875 S**
(45) **Date of Patent:** **** Jun. 23, 2020**

(54) **COMBO SQUARE**

FOREIGN PATENT DOCUMENTS

(71) Applicant: **Milwaukee Electric Tool Corporation,**
Brookfield, WI (US)

CN 2663089 12/2004
WO WO07111870 10/2007

(72) Inventor: **Eric Mackey,** Milwaukee, WI (US)

Primary Examiner — Antoine Duval Davis

(73) Assignee: **Milwaukee Electric Tool Corporation,**
Brookfield, WI (US)

(74) *Attorney, Agent, or Firm* — Reinhart Boerner Van
Deuren s.c.

(**) Term: **15 Years**

(57) **CLAIM**

(21) Appl. No.: **29/707,422**

I claim the ornamental design for a combo square, as shown
and described.

(22) Filed: **Sep. 27, 2019**

DESCRIPTION

Related U.S. Application Data

(62) Division of application No. 29/645,745, filed on Apr.
28, 2018, now Pat. No. Des. 866,363.

(51) **LOC (12) Cl.** **10-04**

(52) **U.S. Cl.**
USPC **D10/65**

(58) **Field of Classification Search**
USPC D10/65, 71
CPC B43L 7/027; B43L 7/0275; B43L 7/033
See application file for complete search history.

FIG. 1 is a perspective view from above of an embodiment
of the claimed design;
FIG. 2 is a perspective view from below of the claimed
design of FIG. 1;
FIG. 3 is a rear view of the claimed design of FIG. 1;
FIG. 4 is a front view of the claimed design of FIG. 1;
FIG. 5 is a right side view of the claimed design of FIG. 1;
FIG. 6 is a left side view of the claimed design of FIG. 1;
FIG. 7 is a top view of the claimed design of FIG. 1;
FIG. 8 is a bottom view of the claimed design of FIG. 1;
FIG. 9 is a perspective view from above of an embodiment
of the claimed design;
FIG. 10 is a perspective view from below of the claimed
design of FIG. 9;
FIG. 11 is a rear view of the claimed design of FIG. 9;
FIG. 12 is a front view of the claimed design of FIG. 9;
FIG. 13 is a right side view of the claimed design of FIG. 9;
FIG. 14 is a left side view of the claimed design of FIG. 9;
FIG. 15 is a top view of the claimed design of FIG. 9; and,
FIG. 16 is a bottom view of the claimed design of FIG. 9.
The ornamental design which is claimed is shown in solid
lines in the drawings.

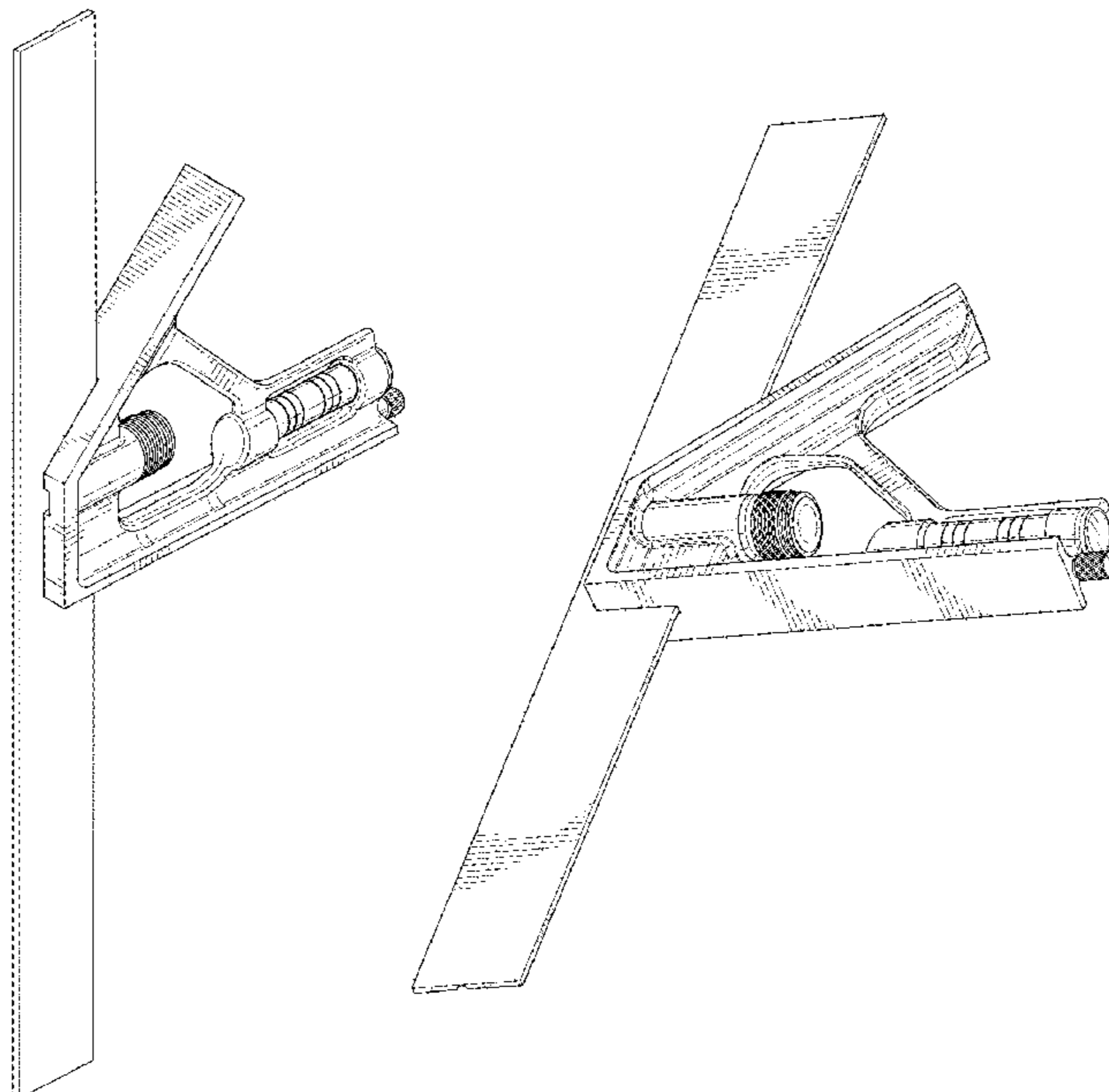
(56) **References Cited**

U.S. PATENT DOCUMENTS

1,882,354	A	10/1932	Celenza
3,137,072	A	6/1964	Terry
5,421,093	A	6/1995	Davidson, Jr.
5,535,523	A	7/1996	Endris
5,778,547	A	7/1998	Wolken
6,662,460	B2	12/2003	Evans
6,820,345	B2	11/2004	Evans
7,337,550	B2	3/2008	Marcus
7,591,076	B2	9/2009	Varnedoe

(Continued)

1 Claim, 12 Drawing Sheets



(56)

References Cited

U.S. PATENT DOCUMENTS

7,596,877 B2 * 10/2009 Basford G01B 3/566
33/404
D640,944 S * 7/2011 Elias D10/65
8,763,265 B2 7/2014 Herniman et al.
D741,731 S * 10/2015 Lamanna G01B 3/566
D10/64
9,310,175 B2 4/2016 Cook
2007/0220764 A1 9/2007 Wolken
2012/0266471 A1 10/2012 Chao
2012/0311880 A1 12/2012 Doggett
2014/0373373 A1 12/2014 Hershkovich

* cited by examiner

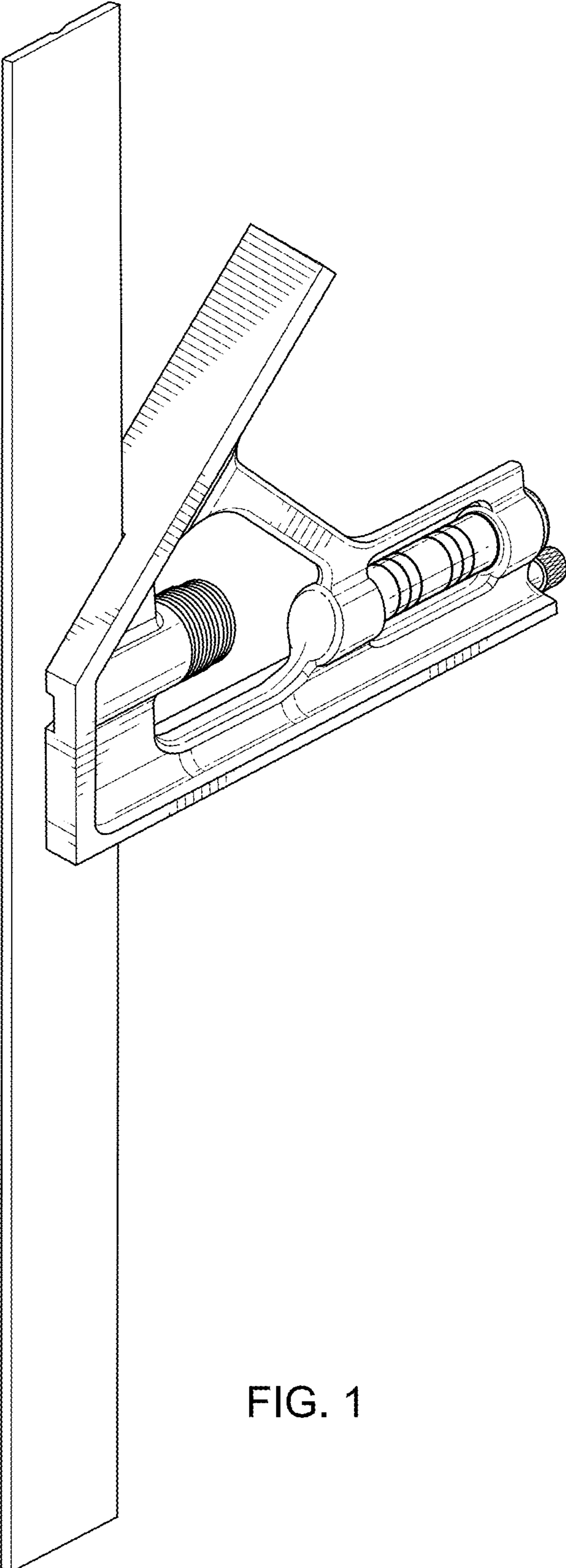
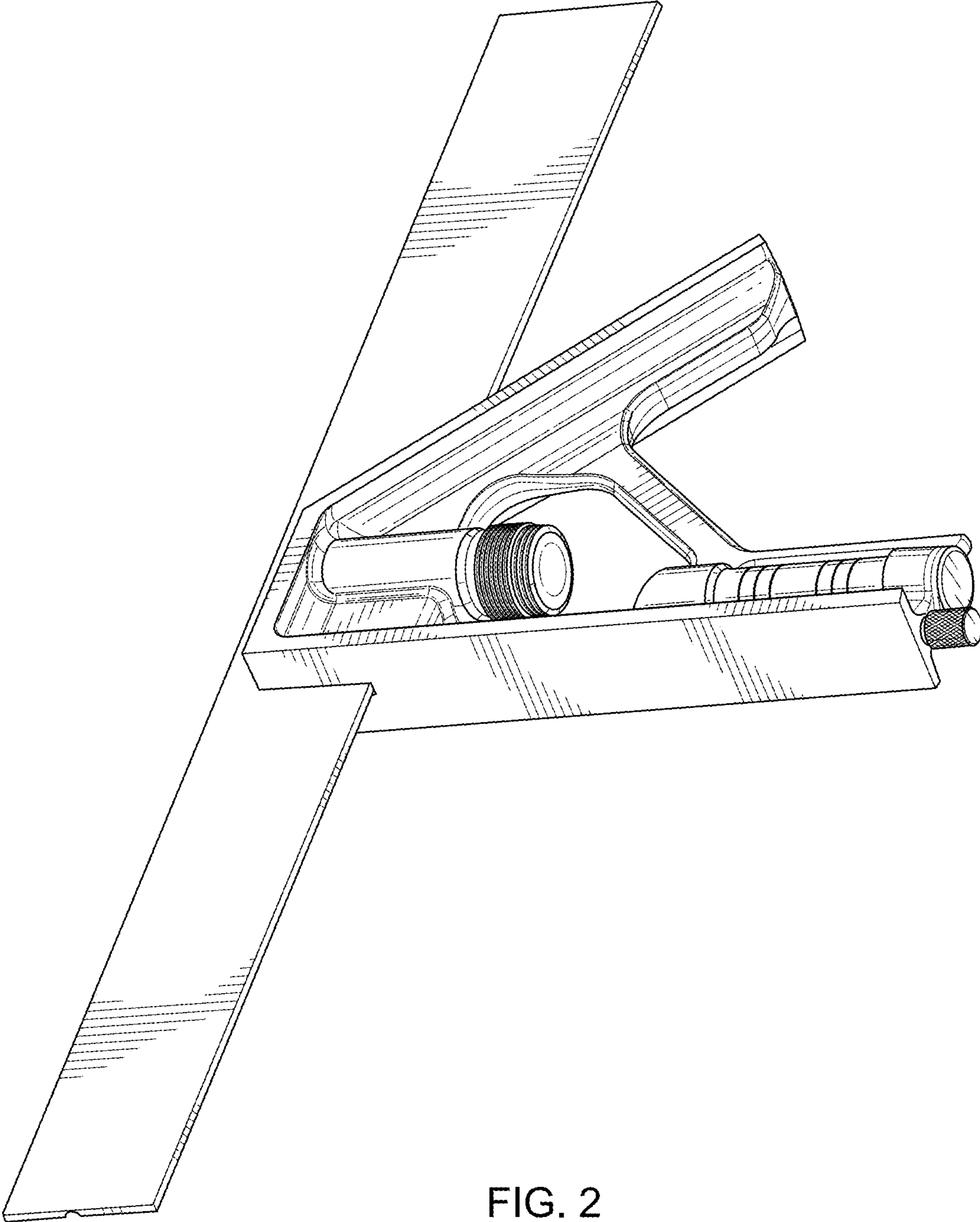


FIG. 1



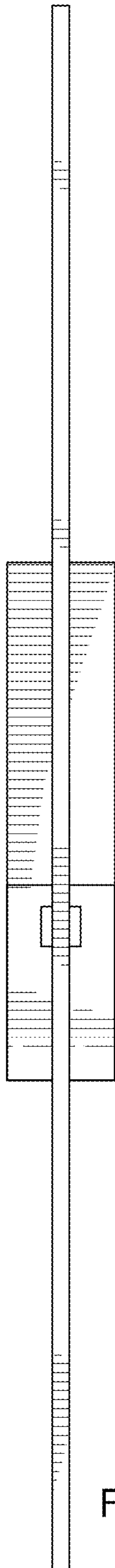


FIG. 3

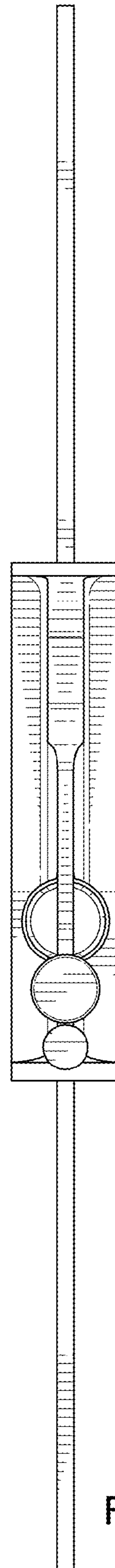
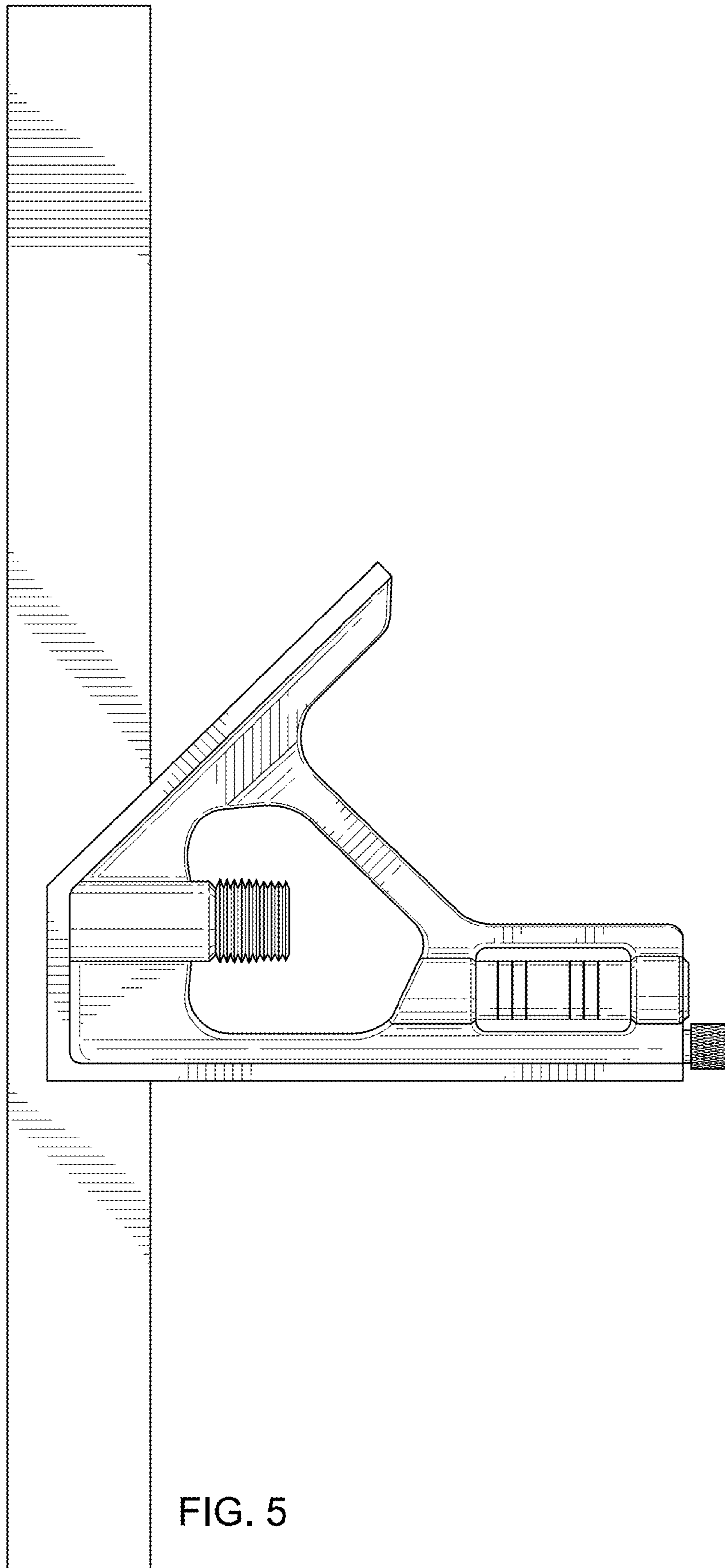
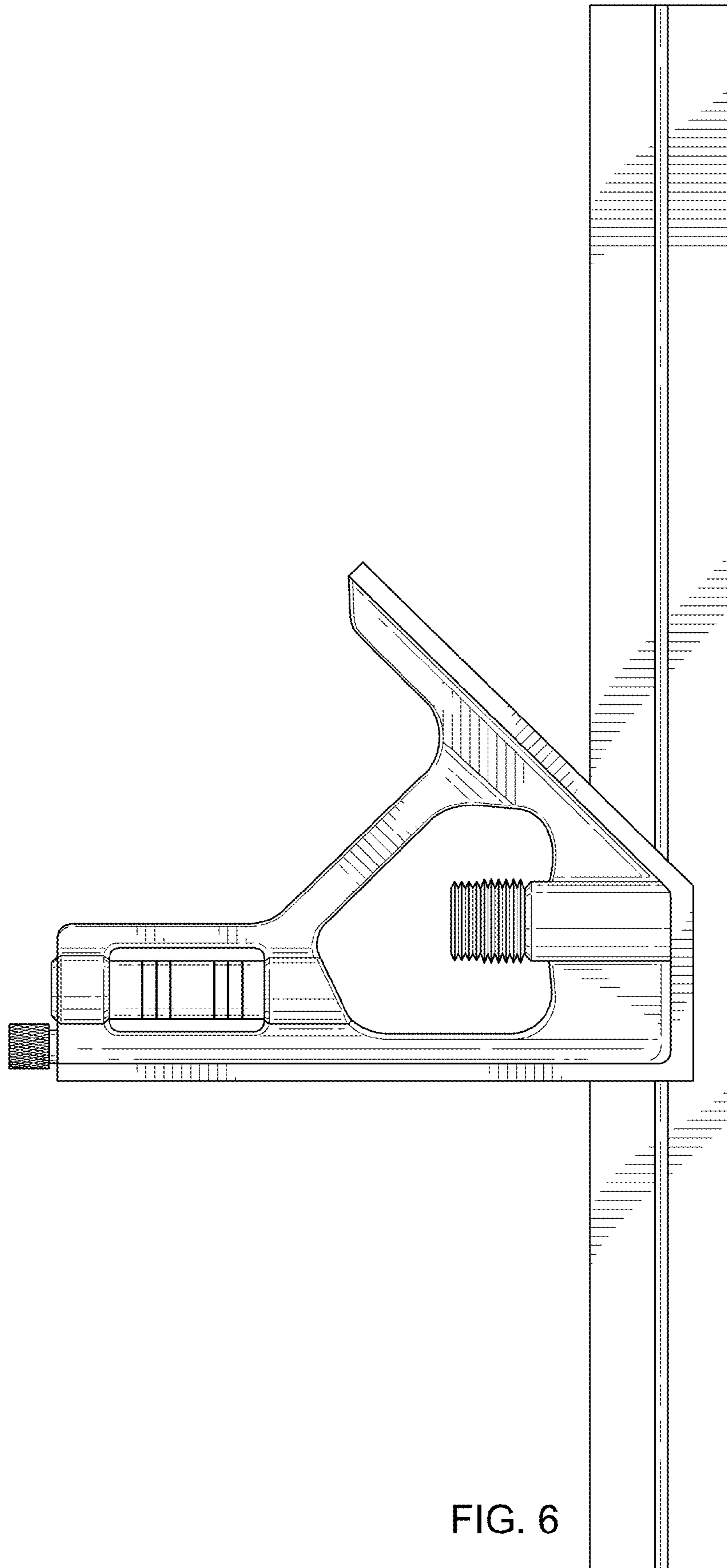


FIG. 4





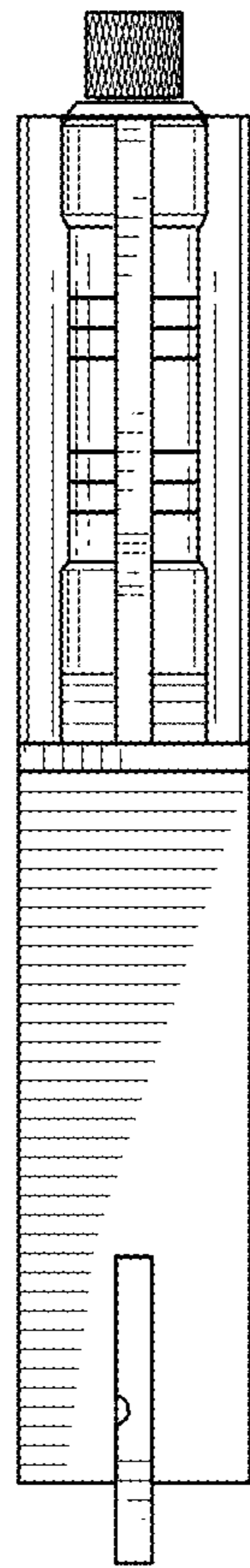


FIG. 7

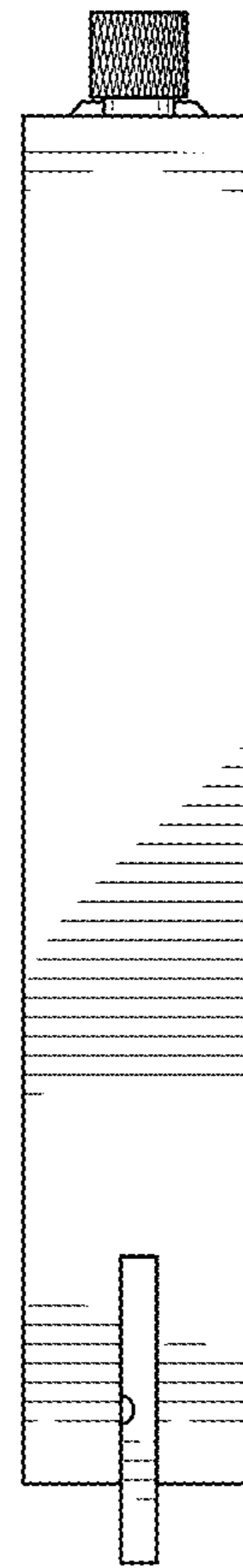


FIG. 8

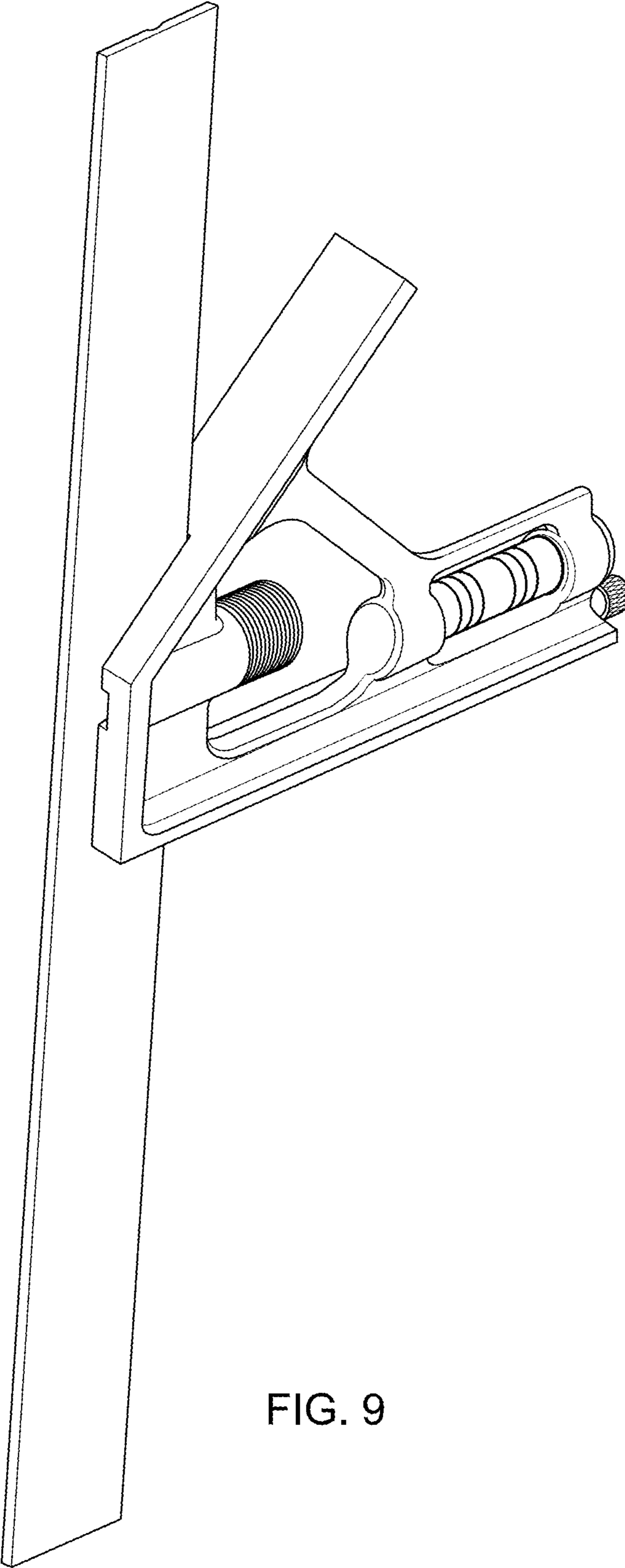


FIG. 9

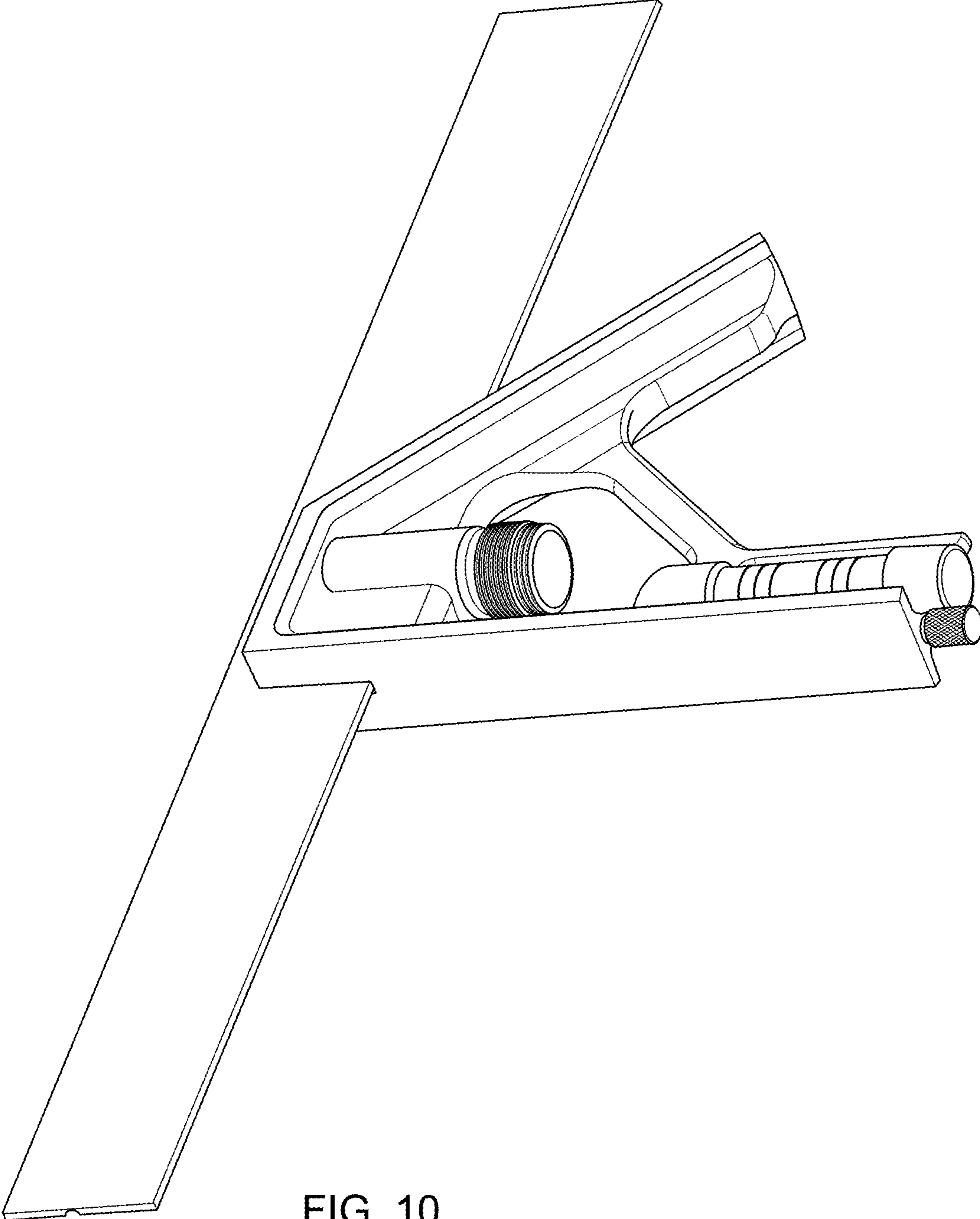


FIG. 10

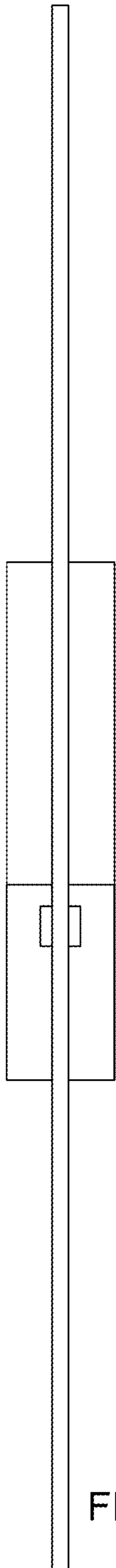


FIG. 11

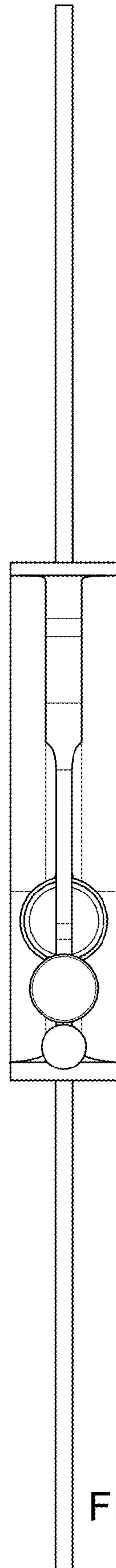


FIG. 12

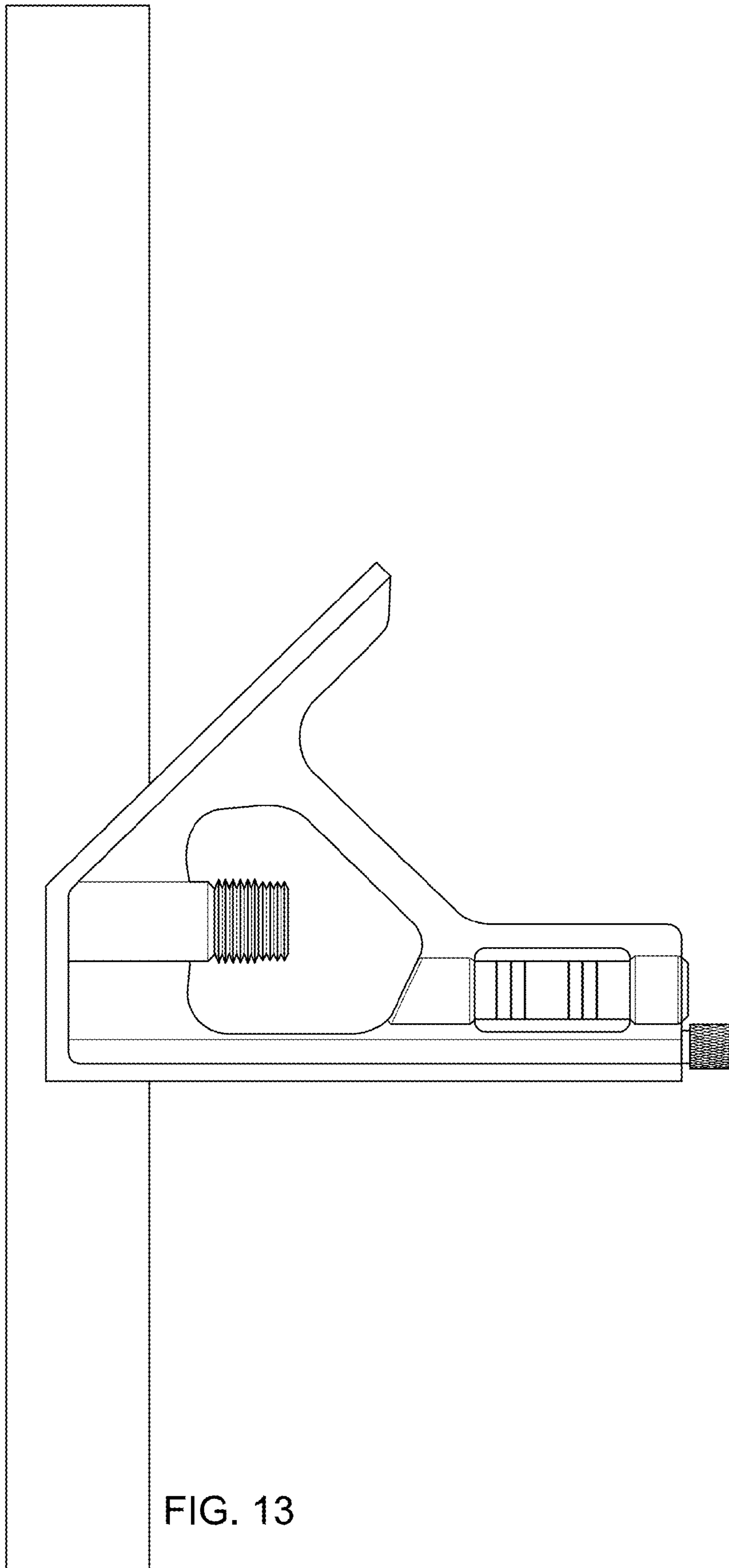


FIG. 13

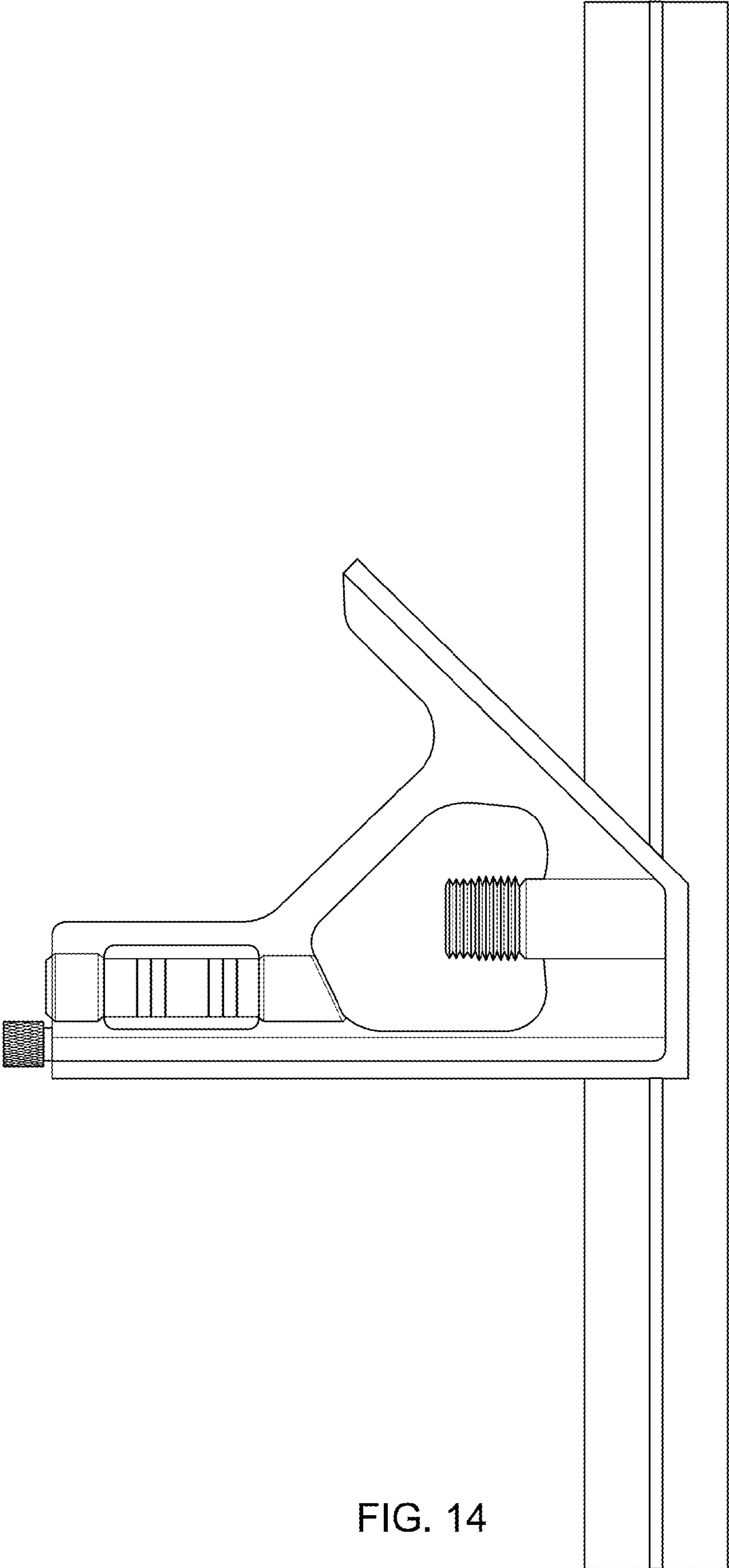


FIG. 14

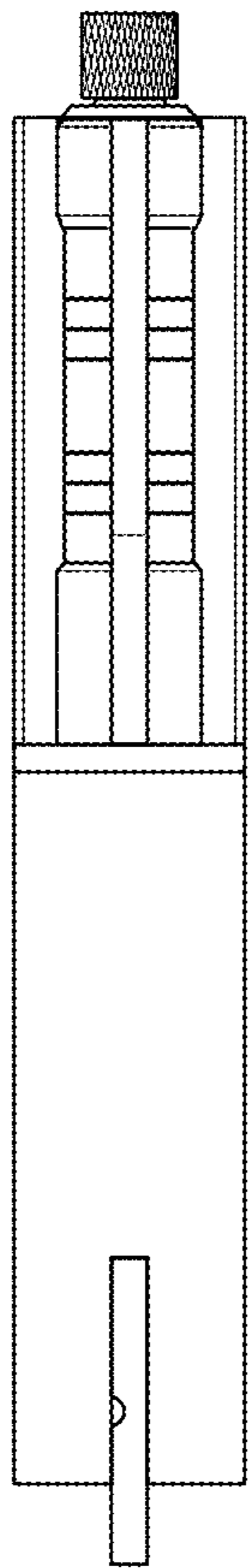


FIG. 15

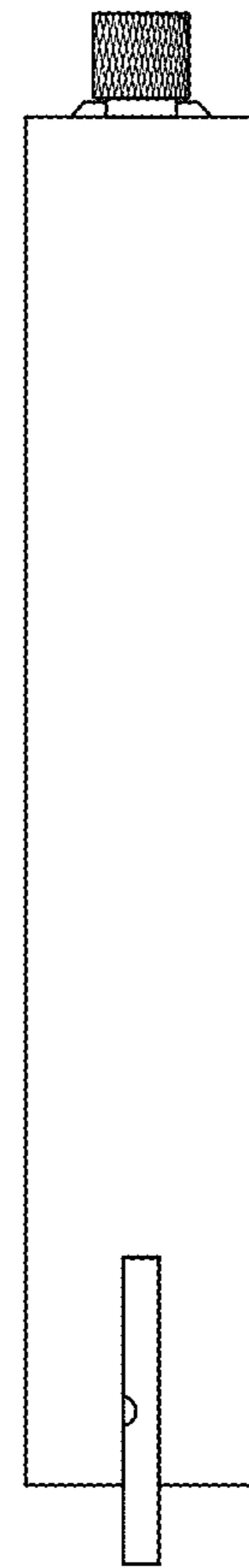


FIG. 16