



US00D887874S

(12) **United States Design Patent**
Mackey et al.

(10) **Patent No.:** **US D887,874 S**
(45) **Date of Patent:** **** Jun. 23, 2020**

- (54) **FRAMING SQUARE**
- (71) Applicant: **Milwaukee Electric Tool Corporation**,
Brookfield, WI (US)
- (72) Inventors: **Eric Mackey**, Milwaukee, WI (US);
David W. Draeger, Milwaukee, WI
(US); **John Christianson**, Waukesha,
WI (US)
- (73) Assignee: **Milwaukee Electric Tool Corporation**,
Brookfield, WI (US)
- (**) Term: **15 Years**
- (21) Appl. No.: **29/706,168**
- (22) Filed: **Sep. 18, 2019**

5,778,547 A 7/1998 Wolken
 6,662,460 B2 12/2003 Evans
 6,688,014 B1 2/2004 Allemand
 6,792,687 B2 9/2004 Arent et al.
 (Continued)

FOREIGN PATENT DOCUMENTS

CN 2663089 12/2004
 CN 100369759 2/2008
 (Continued)

Primary Examiner — Antoine Duval Davis
 (74) *Attorney, Agent, or Firm* — Reinhart Boerner Van
 Deuren s.c.

Related U.S. Application Data

- (62) Division of application No. 29/645,671, filed on Apr.
27, 2018.
- (51) **LOC (12) Cl.** **10-04**
- (52) **U.S. Cl.**
USPC **D10/65; D10/71**
- (58) **Field of Classification Search**
USPC D10/65, 71
CPC B43L 7/027; B43L 7/0275; B43L 7/033
See application file for complete search history.

References Cited

U.S. PATENT DOCUMENTS

1,882,354 A 10/1932 Celenza
 3,137,072 A 6/1964 Henson
 3,142,906 A 8/1964 Mitsos
 4,513,510 A 4/1985 Swanson
 5,421,093 A 6/1995 Davidson, Jr.
 5,535,523 A 7/1996 Endris
 5,727,325 A 3/1998 Mussell

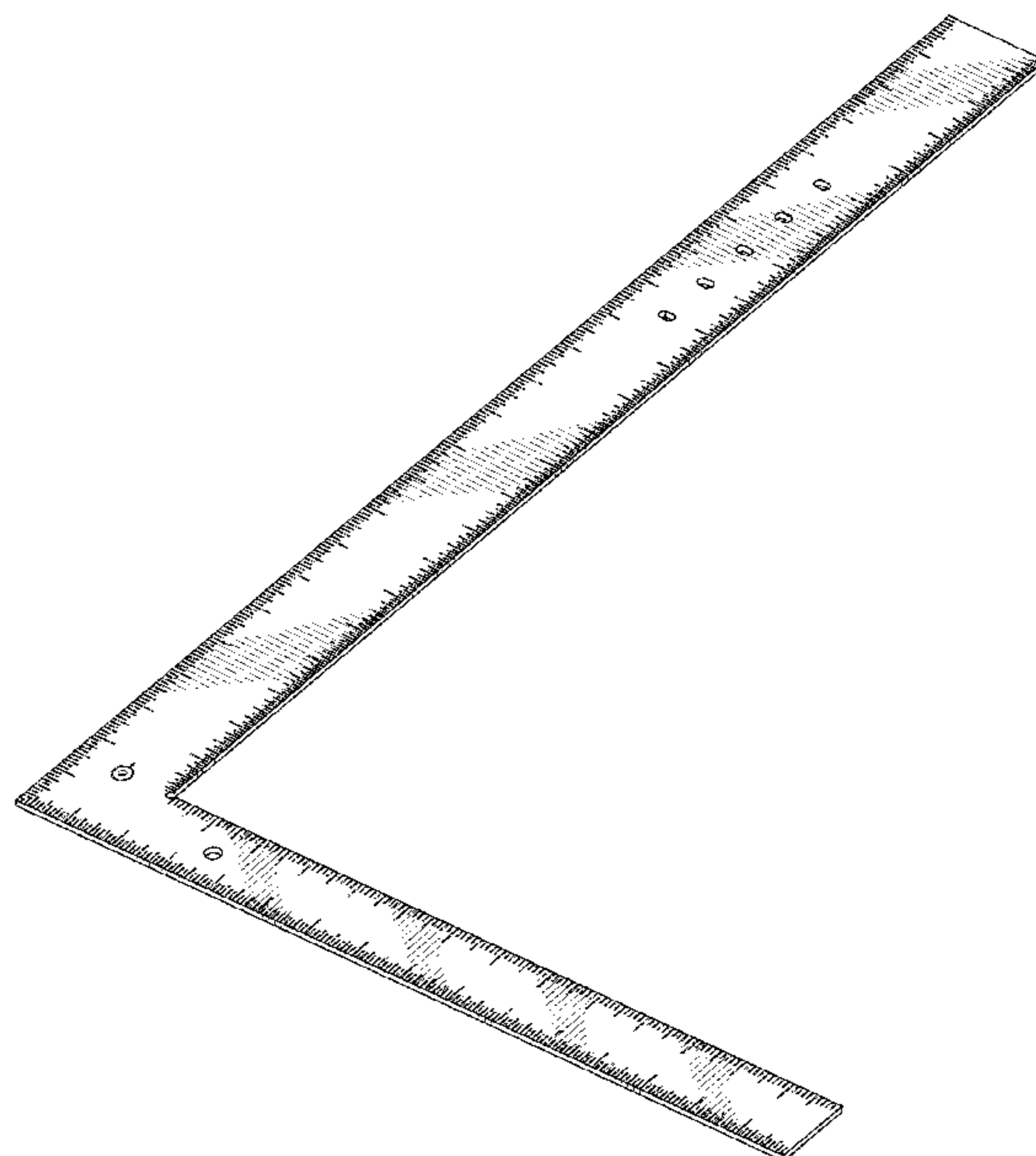
(57) **CLAIM**

We claim the ornamental design for a framing square, as shown and described.

DESCRIPTION

FIG. 1 is a perspective view from above of an embodiment of the claimed design;
 FIG. 2 is a top view of the claimed design of FIG. 1;
 FIG. 3 is a bottom view of the claimed design of FIG. 1;
 FIG. 4 is a left side view of the claimed design of FIG. 1;
 FIG. 5 is a right side view of the claimed design of FIG. 1;
 FIG. 6 is a rear view of the claimed design of FIG. 1;
 FIG. 7 is a front view of the claimed design of FIG. 1;
 FIG. 8 is a perspective view from above of another embodiment of the claimed design;
 FIG. 9 is a top view of the claimed design of FIG. 8;
 FIG. 10 is a bottom view of the claimed design of FIG. 8;
 FIG. 11 is a left side view of the claimed design of FIG. 8;
 FIG. 12 is a right side view of the claimed design of FIG. 8;
 FIG. 13 is a rear view of the claimed design of FIG. 8; and,
 FIG. 14 is a front view of the claimed design of FIG. 8.

1 Claim, 10 Drawing Sheets



(56)

References Cited

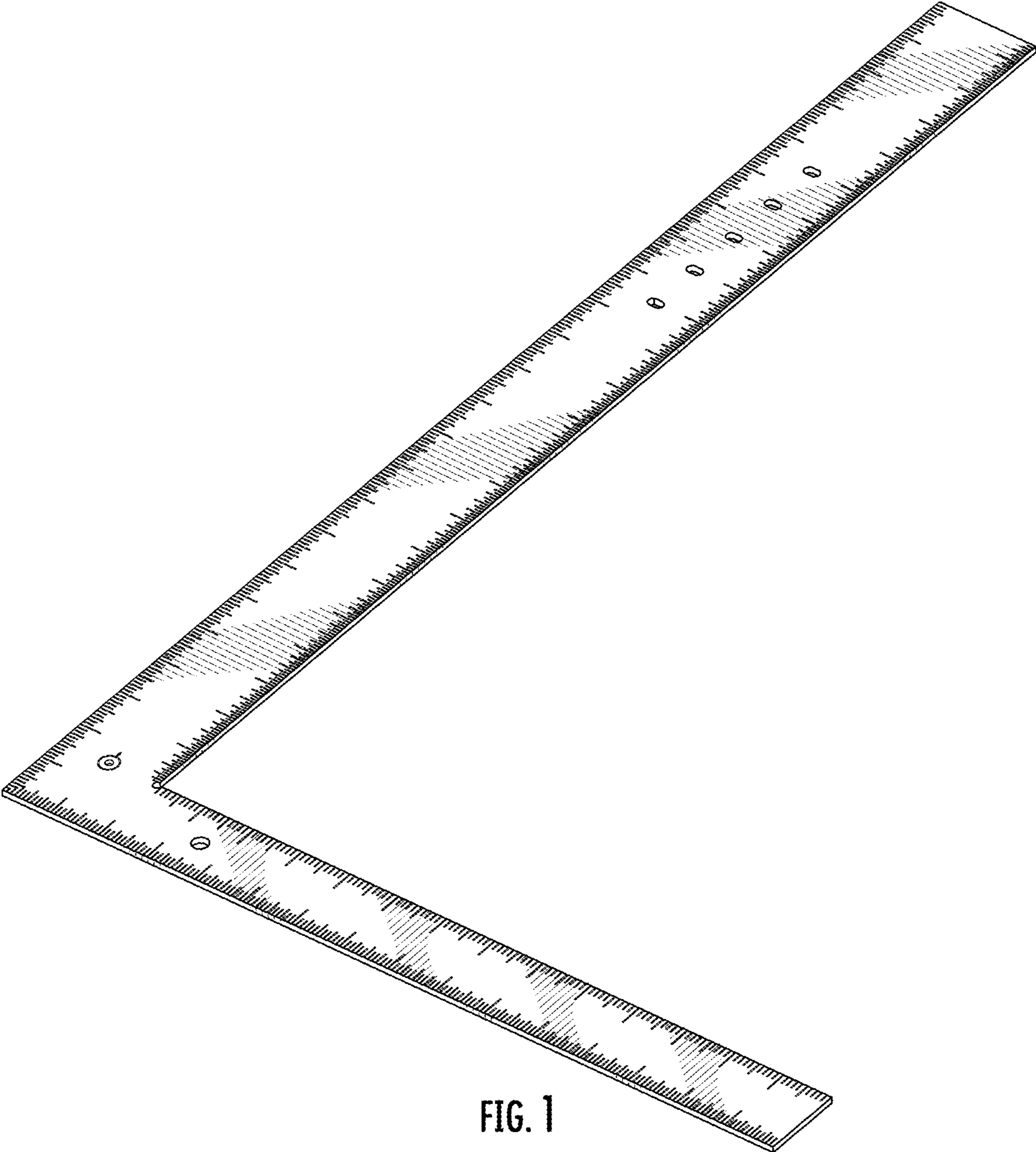
U.S. PATENT DOCUMENTS

6,820,345	B2	11/2004	Evans	
6,868,616	B2	3/2005	Allemand	
D511,698	S	11/2005	Allemand	
7,337,550	B2	3/2008	Marcus	
7,398,601	B2	7/2008	Morrell	
7,591,076	B2	9/2009	Varnedoe	
7,596,877	B2 *	10/2009	Basford G01B 3/566 33/404
D640,944	S *	7/2011	Elias D10/65
8,074,368	B2	12/2011	Atwood	
8,763,265	B2	7/2014	Herniman et al.	
D741,731	S *	10/2015	Lamanna G01B 3/566 D10/64
9,180,725	B2	11/2015	Lin	
9,310,175	B2	4/2016	Cook	
2007/0220764	A1	9/2007	Wolken	
2012/0266471	A1	10/2012	Chao	
2012/0311880	A1	12/2012	Doggett	
2013/0227846	A1	9/2013	Buzzell	
2014/0373373	A1	12/2014	Hershkovich	
2016/0271789	A1	9/2016	Foster	

FOREIGN PATENT DOCUMENTS

CN	206106749	4/2017
WO	WO07111870	10/2007

* cited by examiner



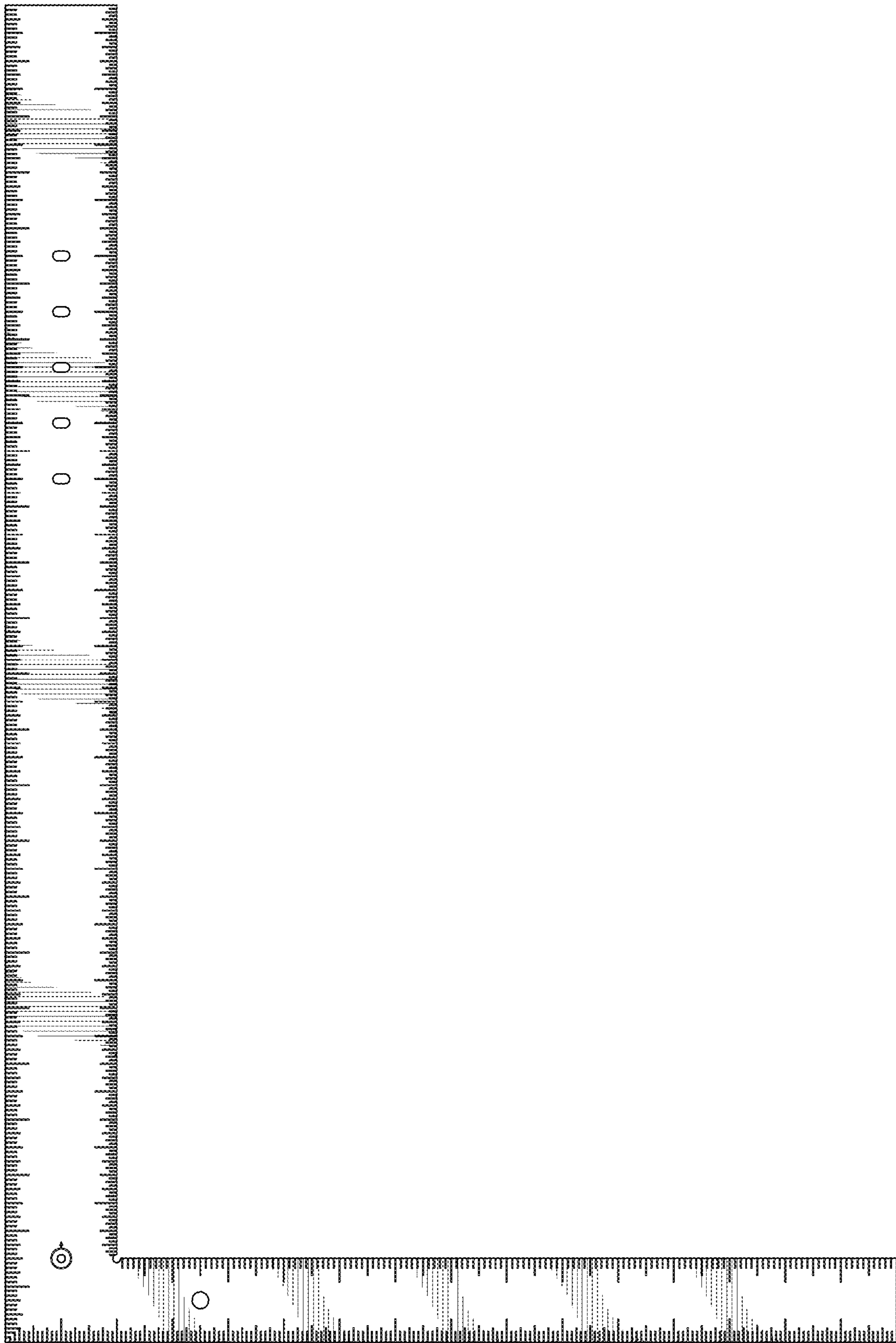


FIG. 2

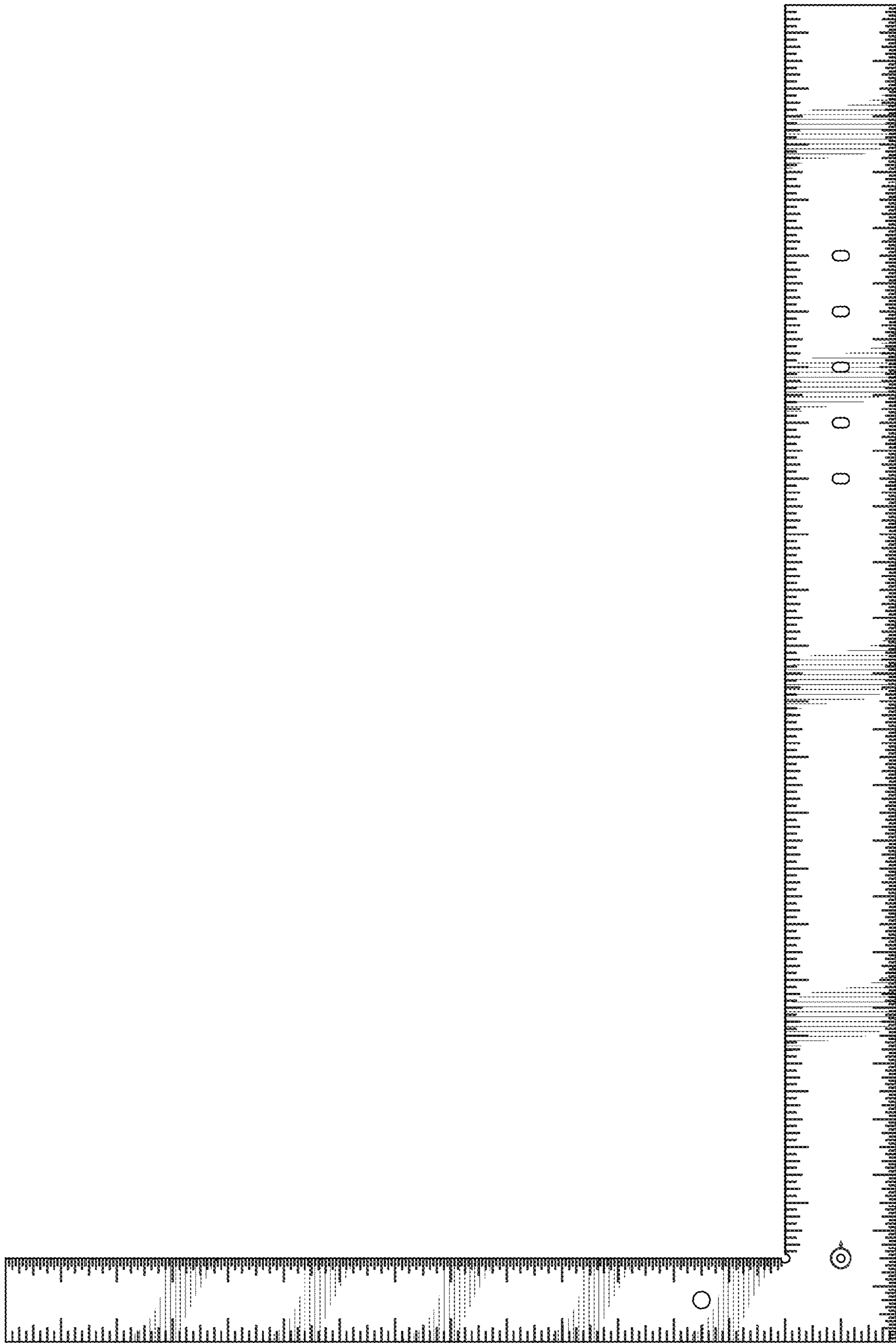


FIG. 3

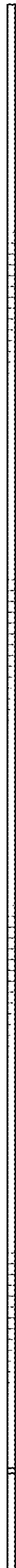


FIG. 4



FIG. 5

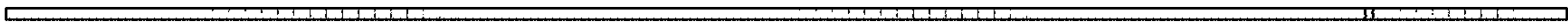


FIG. 6

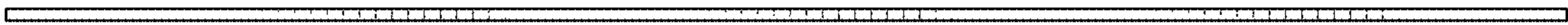


FIG. 7

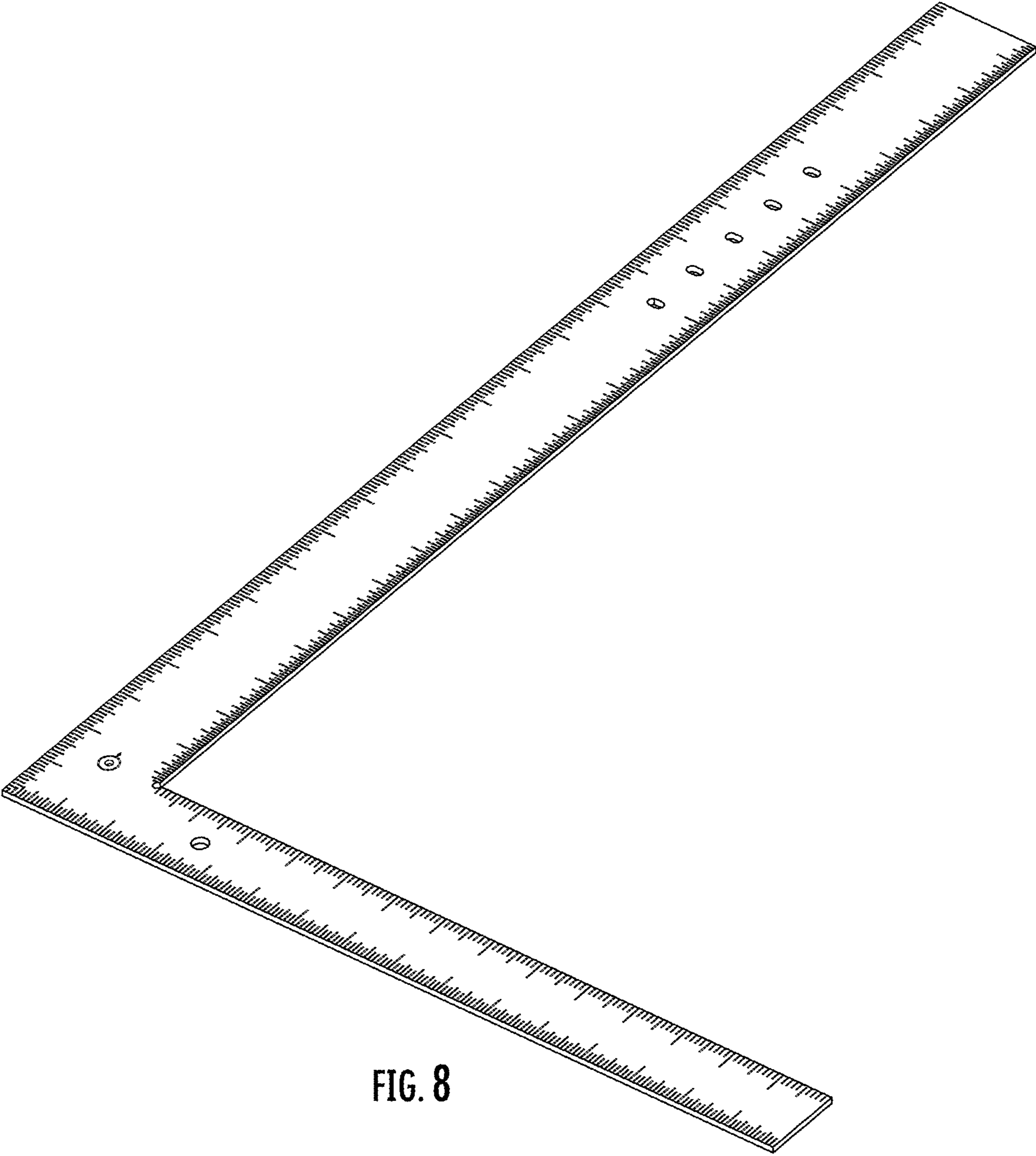


FIG. 8

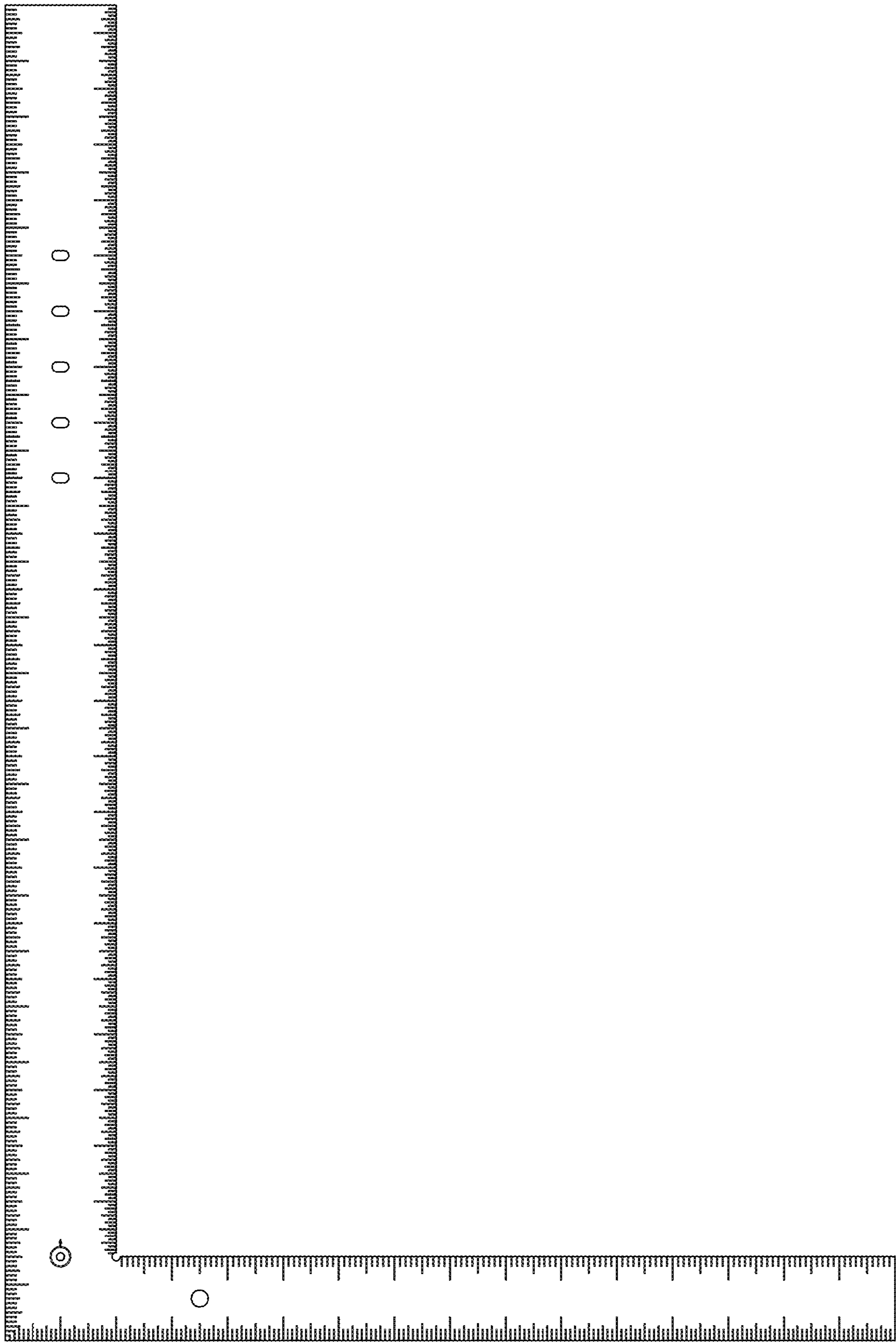


FIG. 9

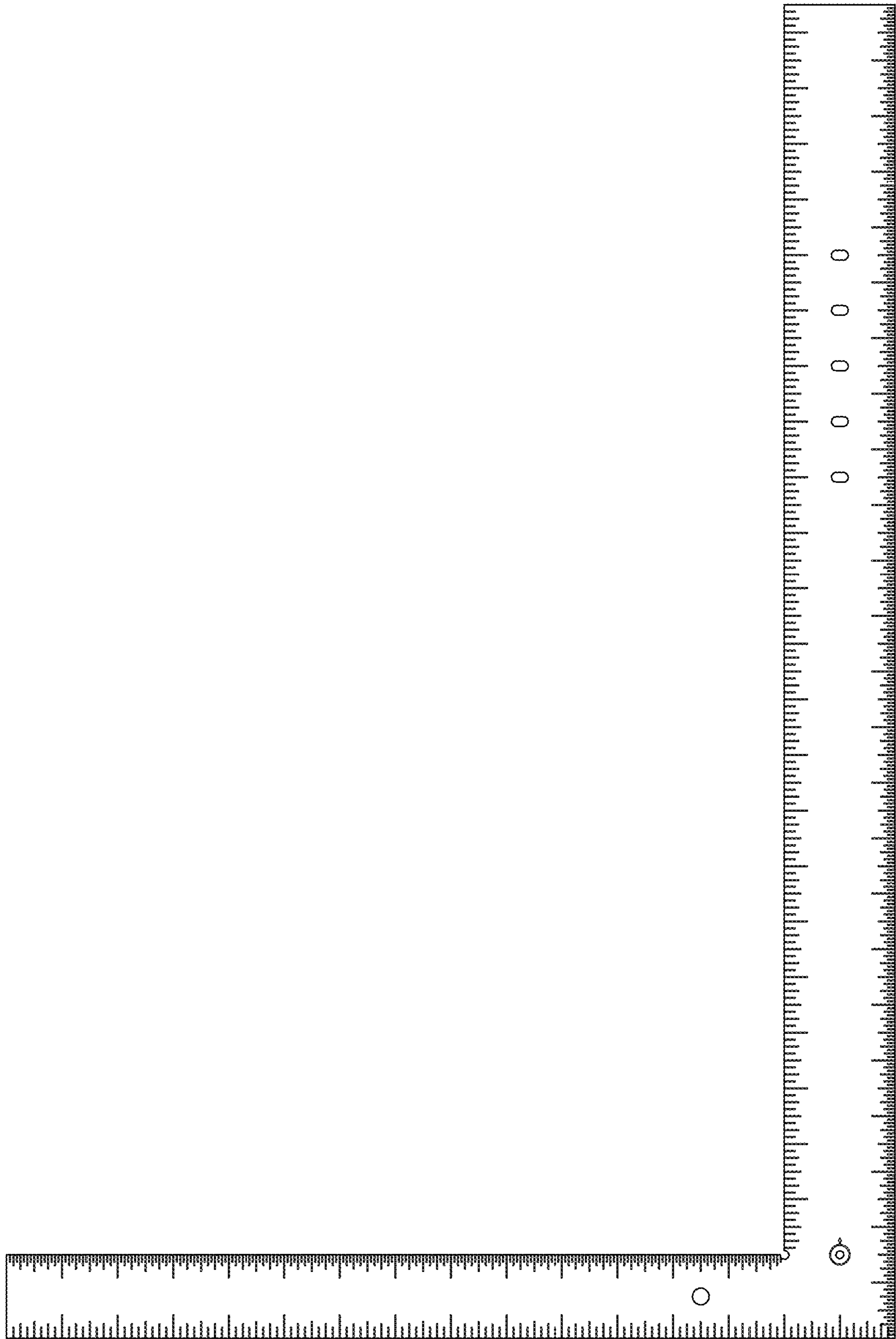


FIG. 10



FIG. 11



FIG. 12

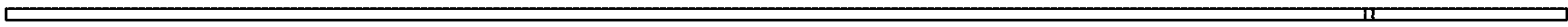


FIG. 13

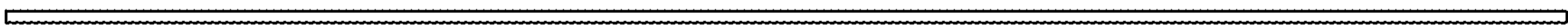


FIG. 14