



US00D887871S

(12) **United States Design Patent**
Wang

(10) **Patent No.:** **US D887,871 S**
(45) **Date of Patent:** **** Jun. 23, 2020**

- (54) **EAR THERMOMETER COVER**
- (71) Applicant: **Huakun Wang**, Shenzhen (CN)
- (72) Inventor: **Huakun Wang**, Shenzhen (CN)
- (**) Term: **15 Years**
- (21) Appl. No.: **29/725,754**
- (22) Filed: **Feb. 27, 2020**
- (51) **LOC (12) Cl.** **10-04**
- (52) **U.S. Cl.**
USPC **D10/60**
- (58) **Field of Classification Search**
USPC D10/60
CPC A61B 2562/247; G01J 5/021; G01J 5/048;
G01K 1/083; G01K 1/086
See application file for complete search history.

- (56) **References Cited**
U.S. PATENT DOCUMENTS
D248,839 S * 8/1978 Turner G01J 5/02
D10/60
4,911,559 A * 3/1990 Meyst G01J 5/02
206/306
5,833,367 A * 11/1998 Cheslock G01J 5/02
374/158

- 6,254,271 B1 * 7/2001 Lin G01J 5/02
374/158
- D447,964 S 9/2001 Kompa
- 6,371,639 B1 * 4/2002 Huang A61B 5/01
264/161
- D685,482 S * 7/2013 Martin D10/60
- D716,953 S * 11/2014 Martin D10/60
- D787,683 S * 5/2017 Martin D10/60

* cited by examiner

Primary Examiner — Antoine Duval Davis
(74) *Attorney, Agent, or Firm* — ZANIP

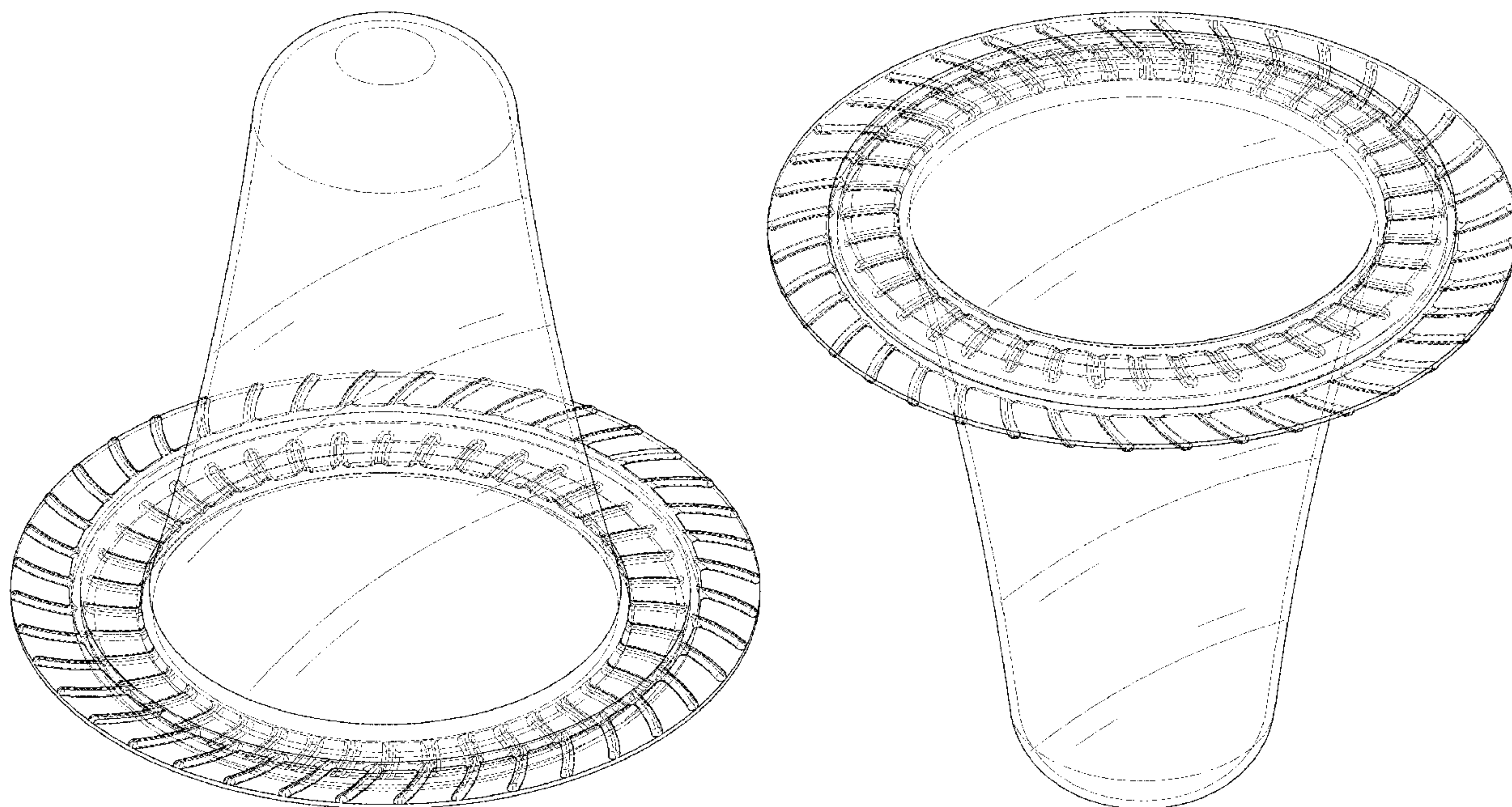
(57) **CLAIM**

The ornamental design for an ear thermometer cover, as shown and described.

DESCRIPTION

FIG. 1 is a front and top perspective view of an ear thermometer cover, showing my new design; FIG. 2 is a rear and bottom perspective view thereof; FIG. 3 is a front elevational view thereof; FIG. 4 is a rear elevational view thereof; FIG. 5 is a left side elevational view thereof; FIG. 6 is a right side elevational view thereof; FIG. 7 is a top plan view thereof; and, FIG. 8 is a bottom plan view thereof.

1 Claim, 8 Drawing Sheets



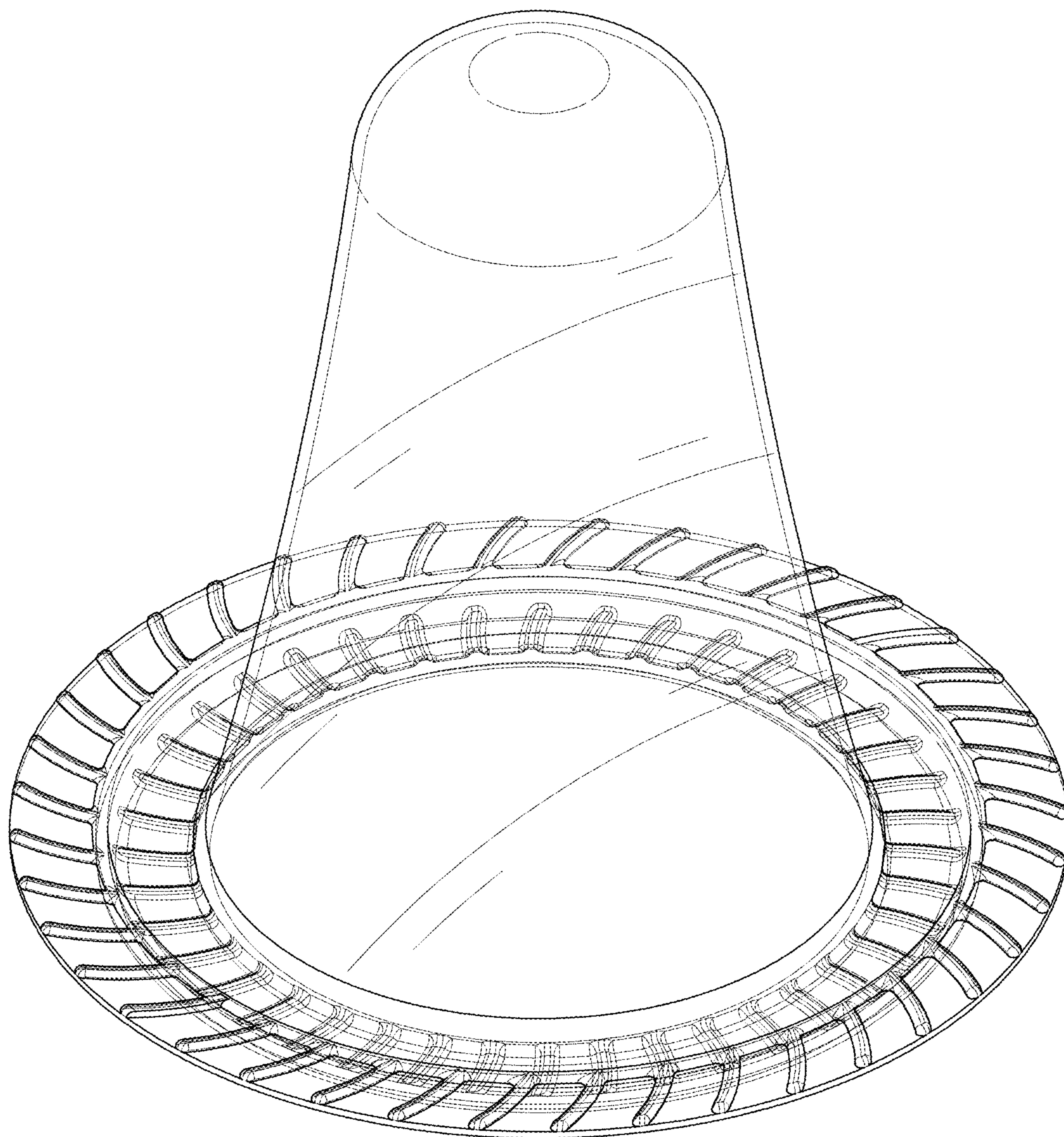


FIG. 1

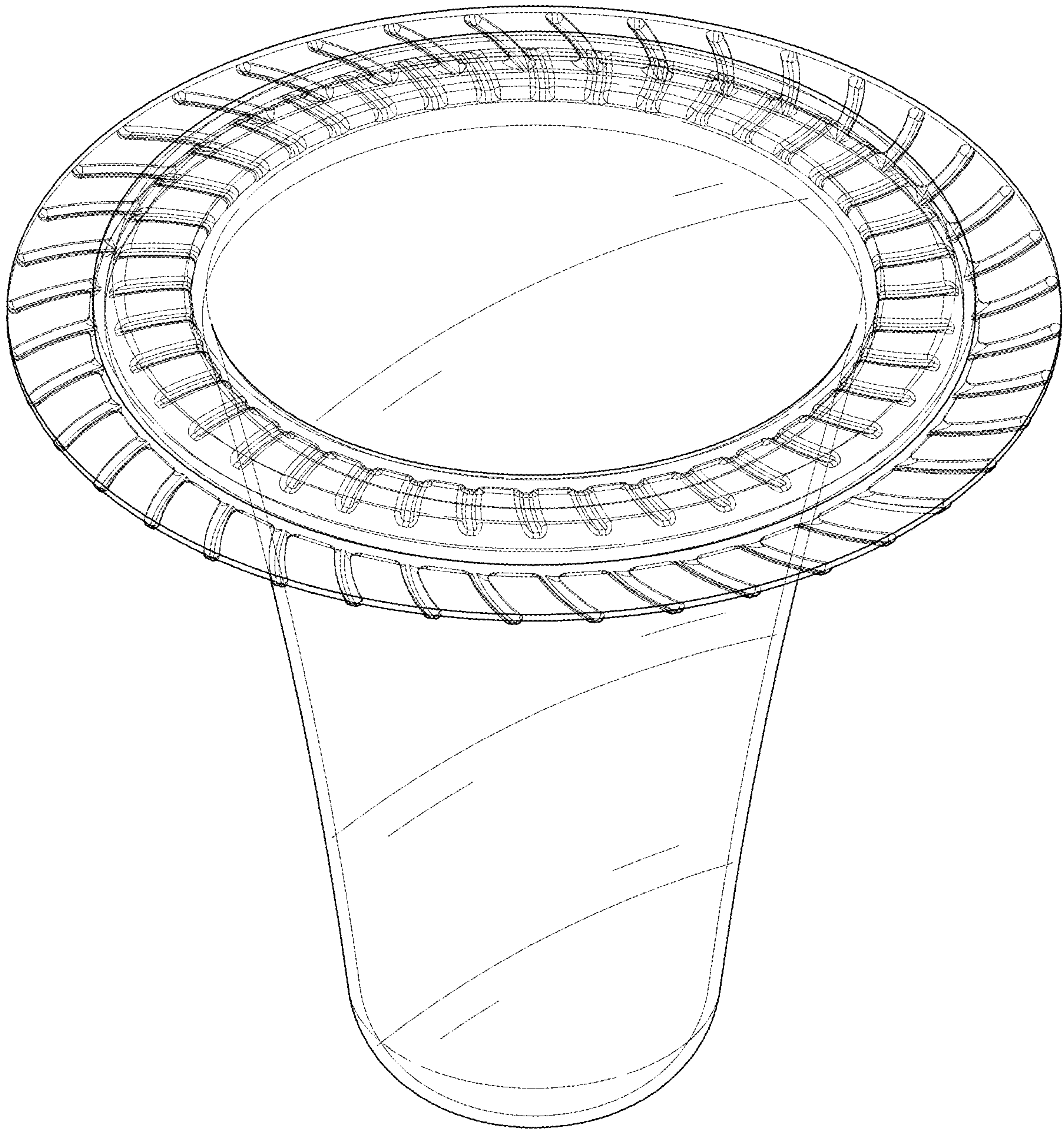


FIG. 2

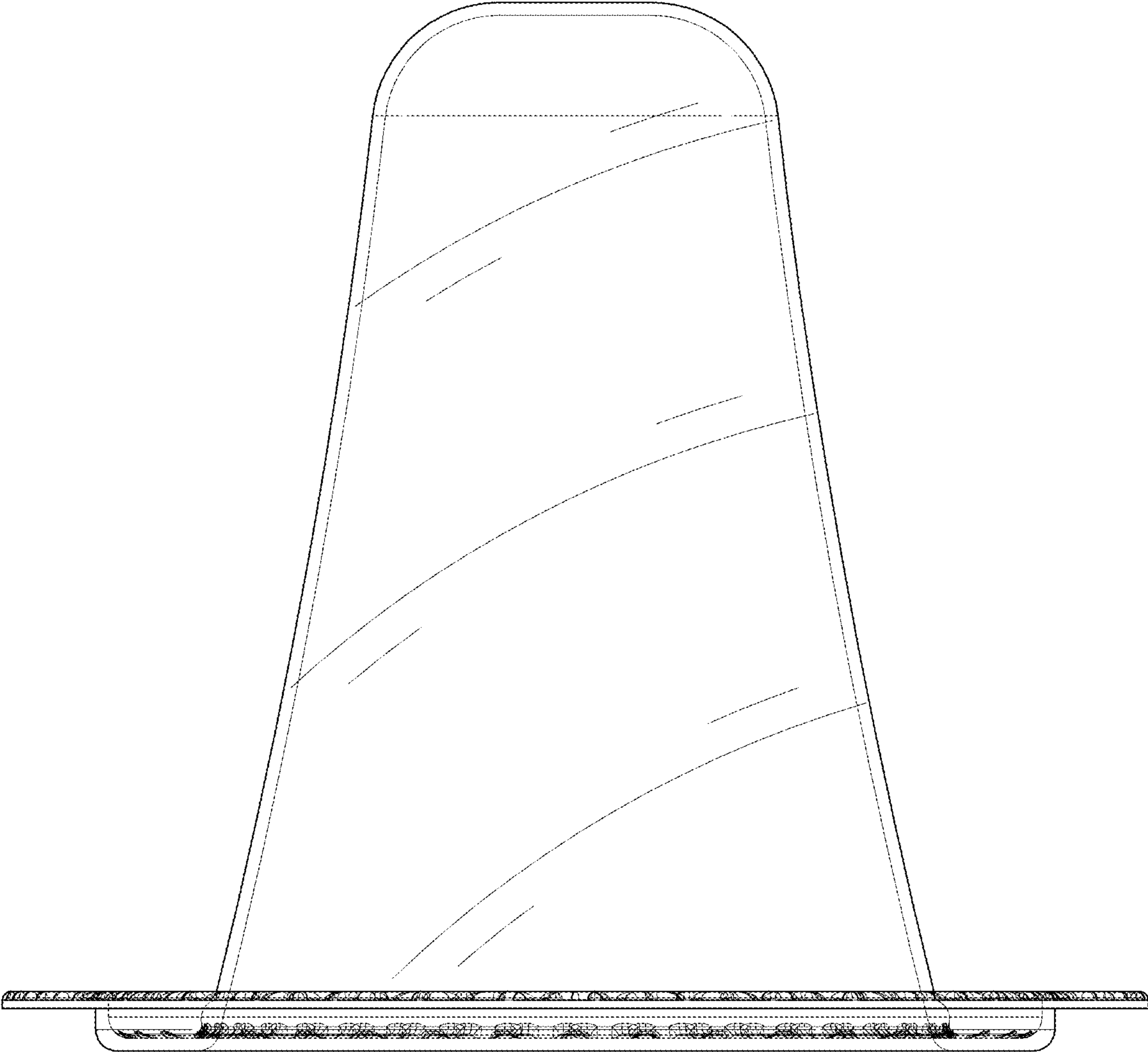


FIG. 3

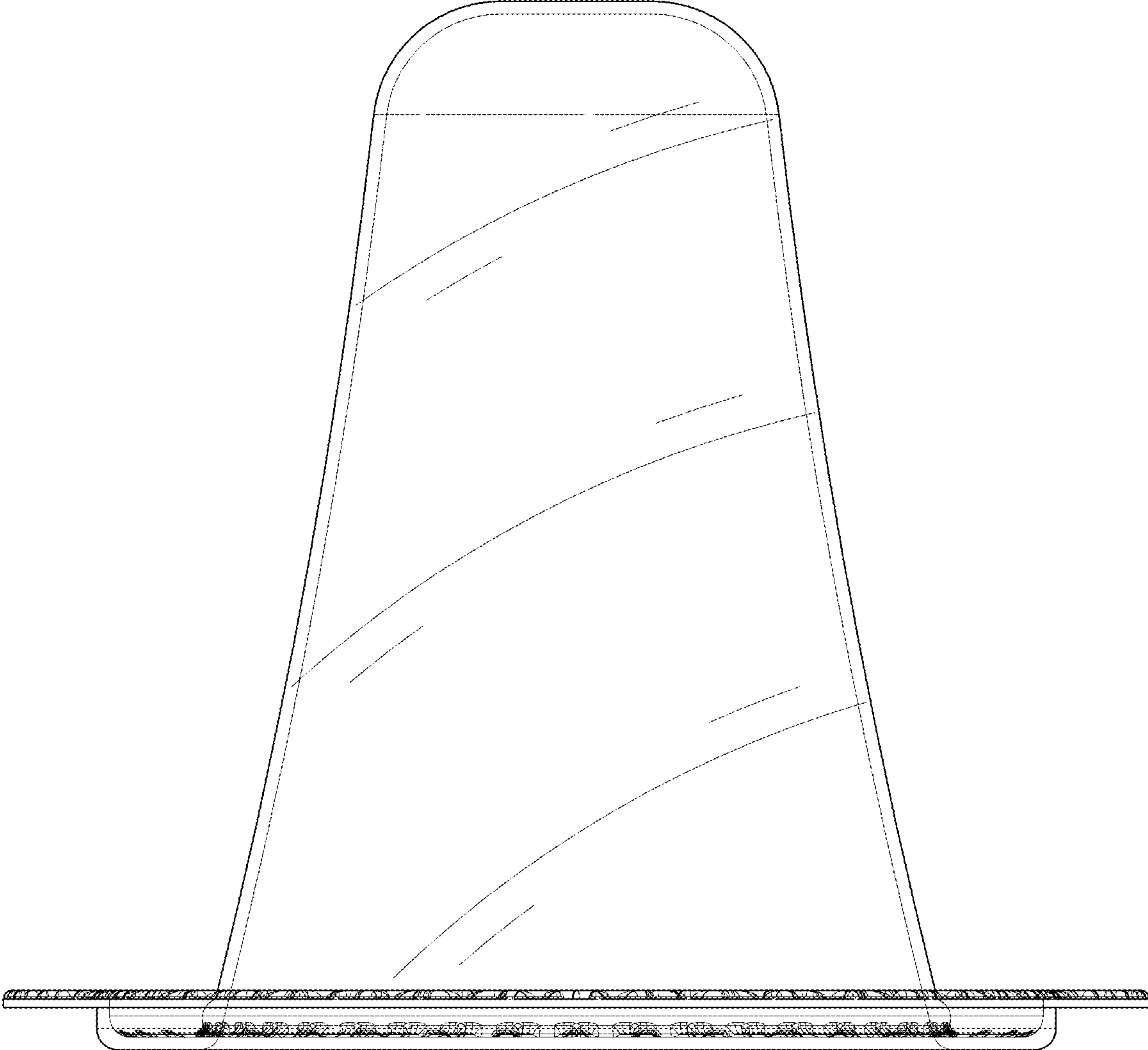


FIG. 4

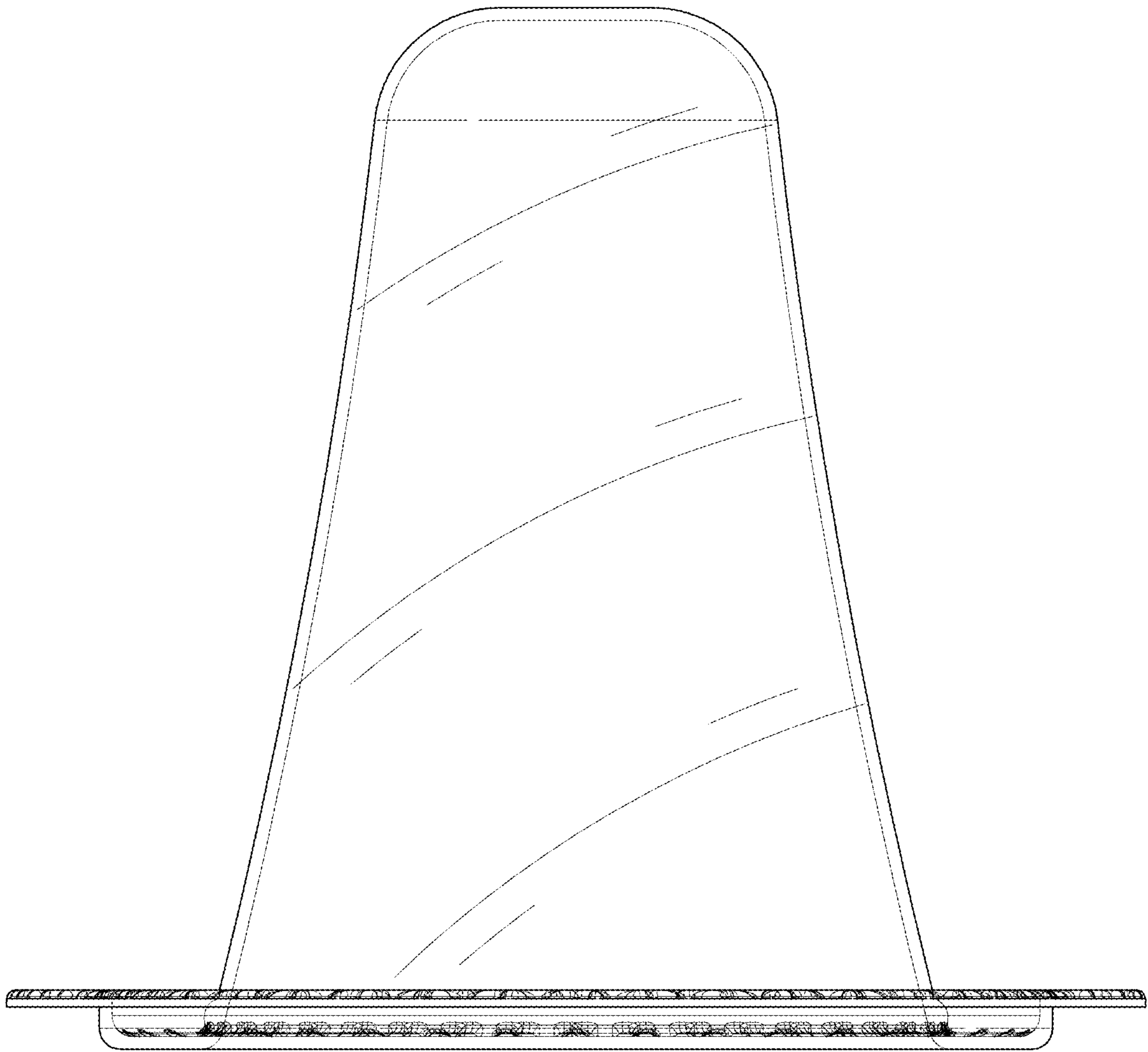


FIG. 5

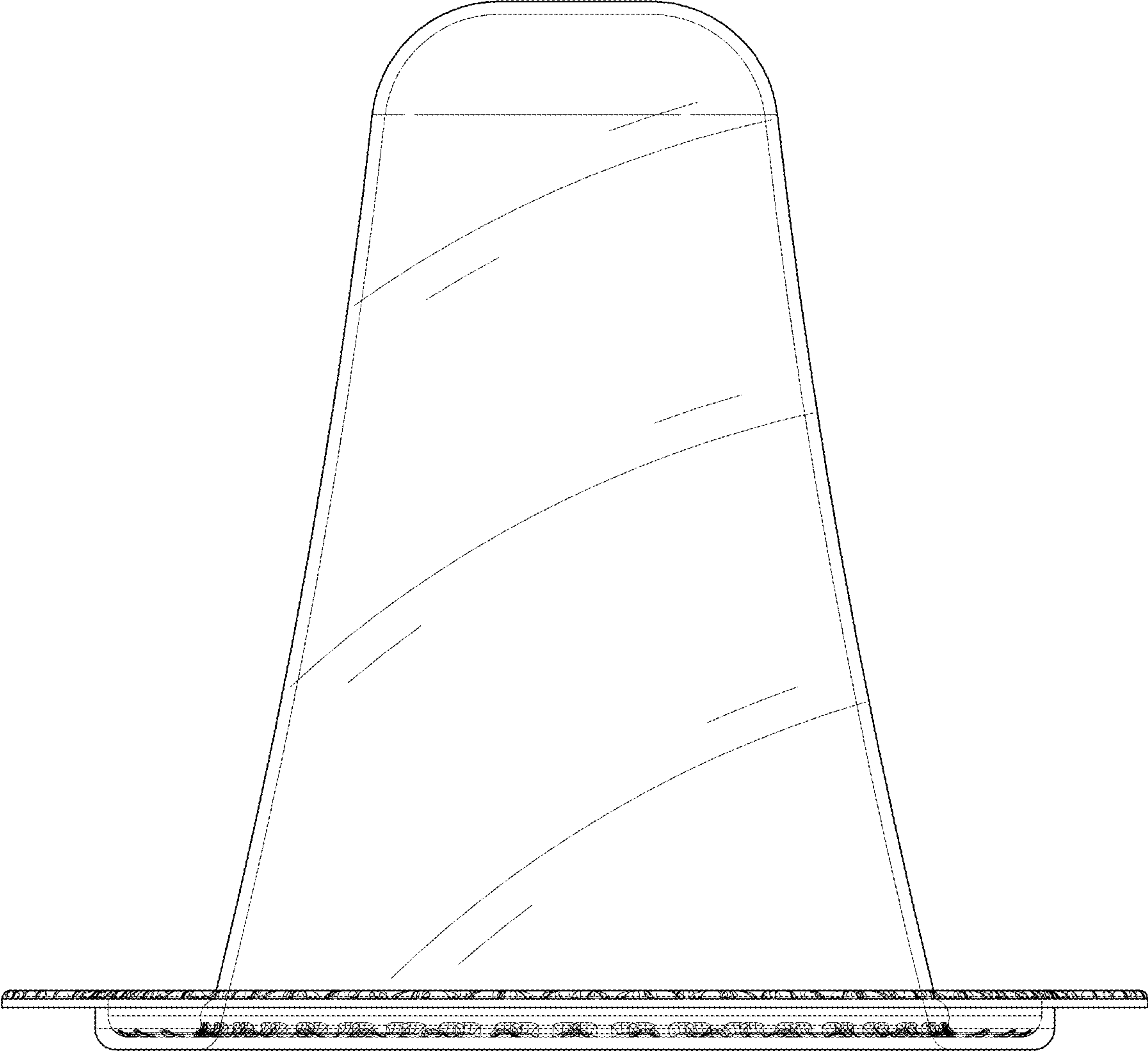


FIG. 6

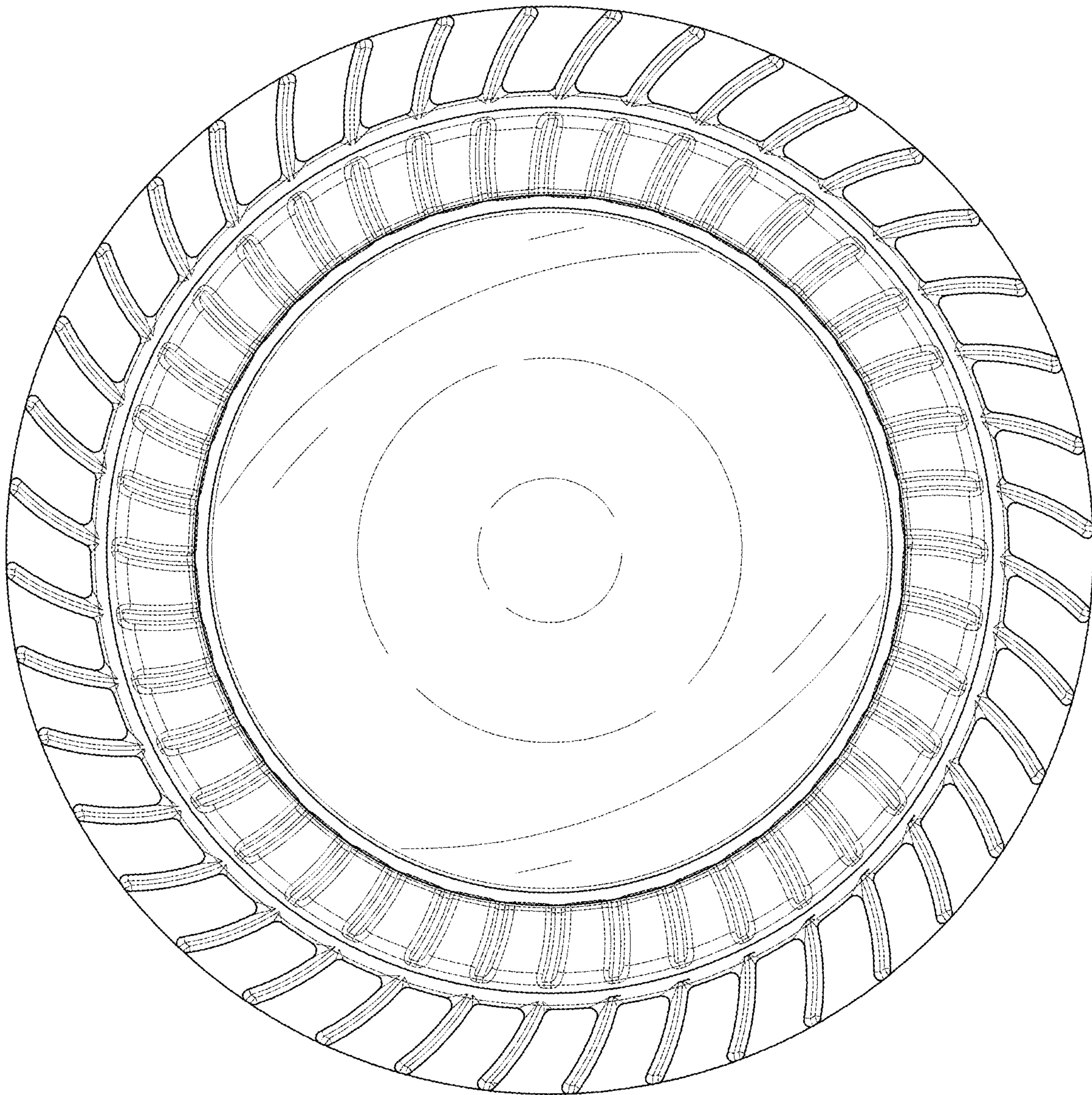


FIG. 7

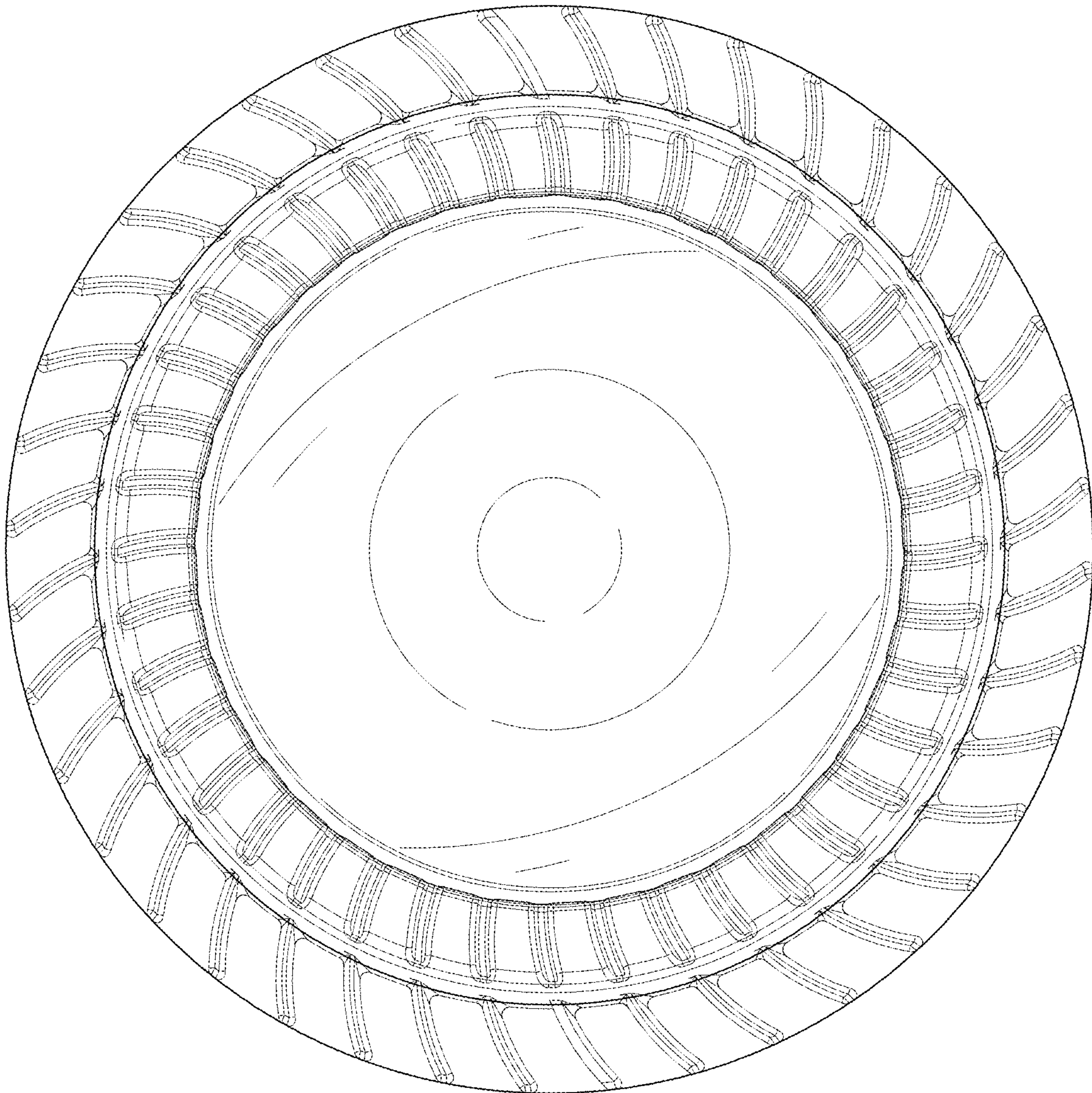


FIG. 8