



US00D887870S

(12) **United States Design Patent**
Qin

(10) **Patent No.:** **US D887,870 S**
(45) **Date of Patent:** **** Jun. 23, 2020**

- (54) **DETECTOR FOR METAL**
 - (71) Applicant: **Shanghai tymex tools Ltd.**, Shanghai (CN)
 - (72) Inventor: **Xiaolin Qin**, Shanghai (CN)
 - (**) Term: **15 Years**
 - (21) Appl. No.: **29/720,988**
 - (22) Filed: **Jan. 16, 2020**
 - (51) **LOC (12) Cl.** **10-04**
 - (52) **U.S. Cl.**
USPC **D10/47**
 - (58) **Field of Classification Search**
USPC D10/47
CPC ... G01V 3/00; G01V 3/02; G01V 3/04; G01V 3/06; G01V 3/08; G01V 3/081; G01V 3/082; G01V 3/083; G01V 2003/084; G01V 2003/085; G01V 2003/086; G01V 3/087; G01V 3/088; G01V 3/10; G01V 3/101; G01V 3/102; G01V 3/104; G01V 3/105; G01V 3/107; G01V 3/108; G01V 3/12; G01V 3/14; G01V 3/15; G01V 3/16; G01V 3/165; G01V 3/17; G01V 3/175; G01V 3/18; G01V 3/20; G01V 3/22; G01V 3/24; G01V 3/26; G01V 3/265; G01V 3/28; G01V 3/30; G01V 3/32; G01V 3/34; G01V 3/36; G01V 3/38; G01V 3/40
- See application file for complete search history.

- D690,213 S * 9/2013 Walsh G01S 13/885 D10/47
- 8,842,035 B2 * 9/2014 Duvoisin, III G01S 13/885 342/22
- 9,021,661 B2 * 5/2015 Andel B25G 1/04 16/429
- 9,041,401 B2 * 5/2015 Andel B25G 1/04 324/326
- 9,082,269 B2 * 7/2015 Olsson G01V 3/12
- 9,209,856 B2 * 12/2015 Barsumian H04B 1/707
- D756,247 S * 5/2016 Pollock G01S 13/878 D10/47

(Continued)

Primary Examiner — Antoine Duval Davis

(74) *Attorney, Agent, or Firm* — ZANIP

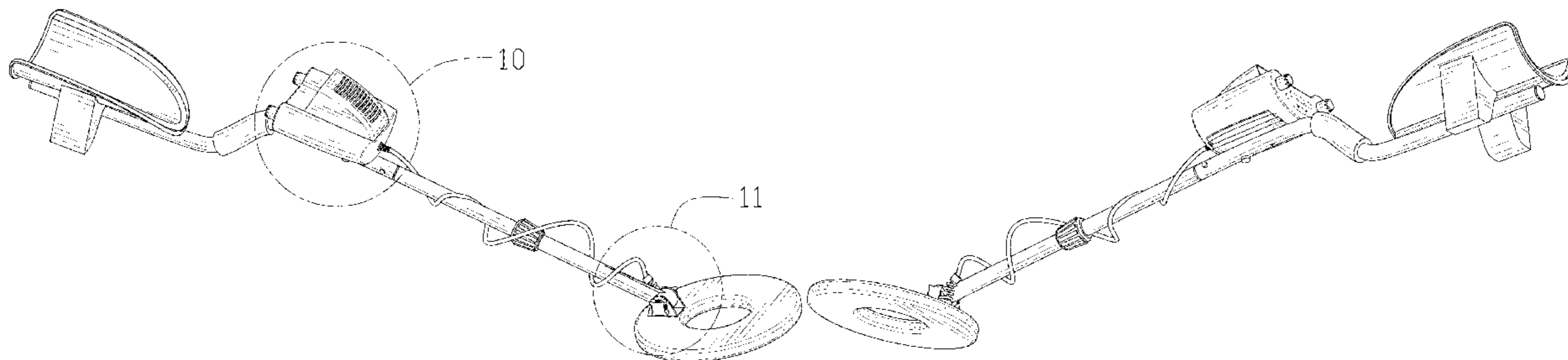
(57) **CLAIM**

The ornamental design for a detector for metal, as shown and described.

DESCRIPTION

FIG. 1 is a front and top perspective view of a detector for metal, showing my new design;
 FIG. 2 is a rear and bottom perspective view thereof;
 FIG. 3 is a front perspective view thereof, showing the detector for metal in a shortened position;
 FIG. 4 is a front elevational view thereof;
 FIG. 5 is a rear elevational view thereof;
 FIG. 6 is a left side elevational view thereof;
 FIG. 7 is a right side elevational view thereof;
 FIG. 8 is a top plan view thereof;
 FIG. 9 is a bottom plan view thereof;
 FIG. 10 is an enlarged view of a portion indicated in FIG. 1; and,
 FIG. 11 is an enlarged view of a portion indicated in FIG. 1. The broken lines in the figures illustrate portions of the detector for metal that form no part of the claimed design. The dash dot dash lines in FIGS. 1, 10 and 11 are for the purpose of depicting the cut line of the enlarged view and form no part of the claim.

1 Claim, 11 Drawing Sheets



(56)

References Cited

U.S. PATENT DOCUMENTS

9,395,462 B2 * 7/2016 Walsh G01V 3/10
9,664,809 B2 * 5/2017 Fry G01V 3/104
9,733,353 B1 * 8/2017 Carlson G01S 13/878
9,851,466 B2 * 12/2017 Weaver G01V 3/17
9,864,089 B2 * 1/2018 Andel F41H 11/136
D844,462 S 4/2019 Griffin et al.
D844,463 S * 4/2019 Zhang H04B 1/707
D10/47
D867,170 S * 11/2019 Deng G01V 3/10
D10/47
D873,682 S * 1/2020 Shao G01V 3/15
D10/47

* cited by examiner

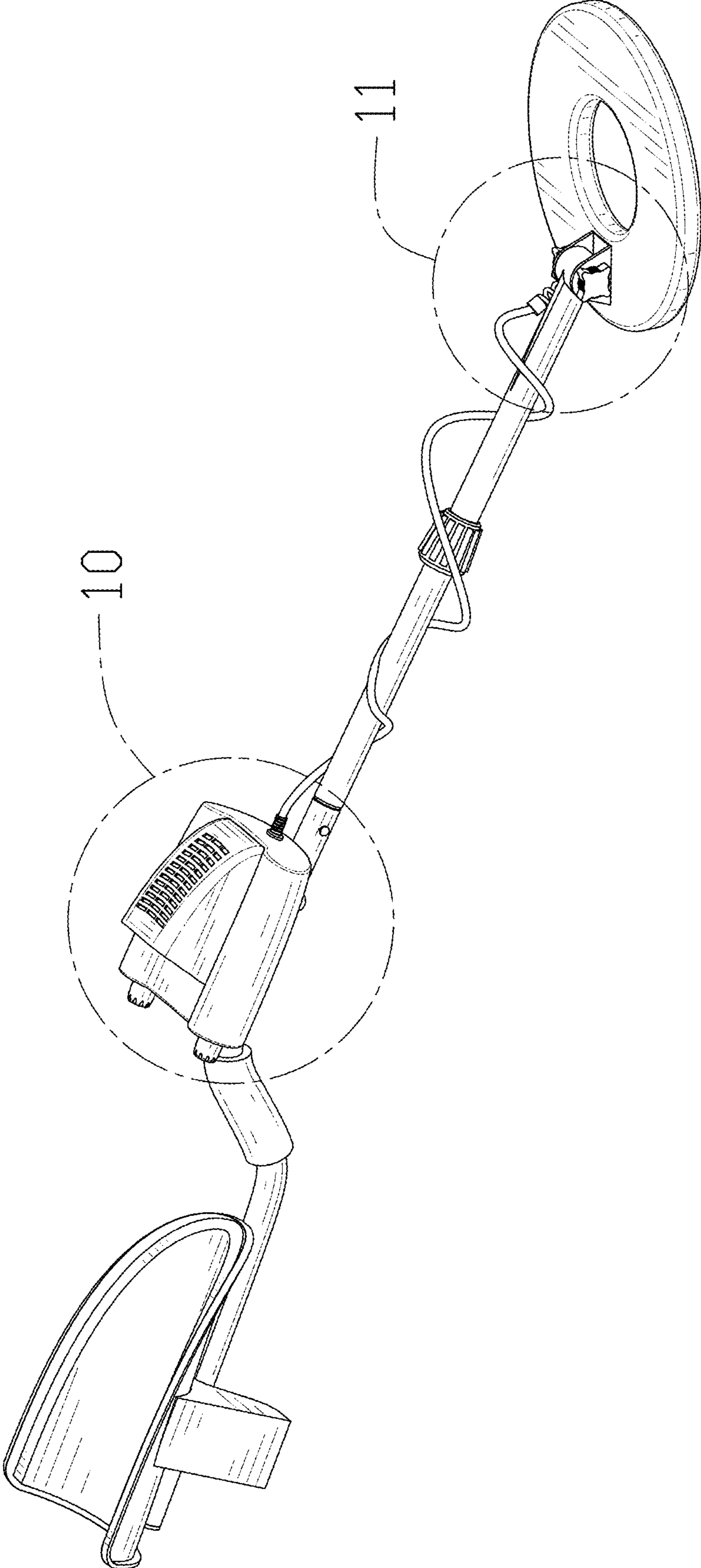


FIG. 1

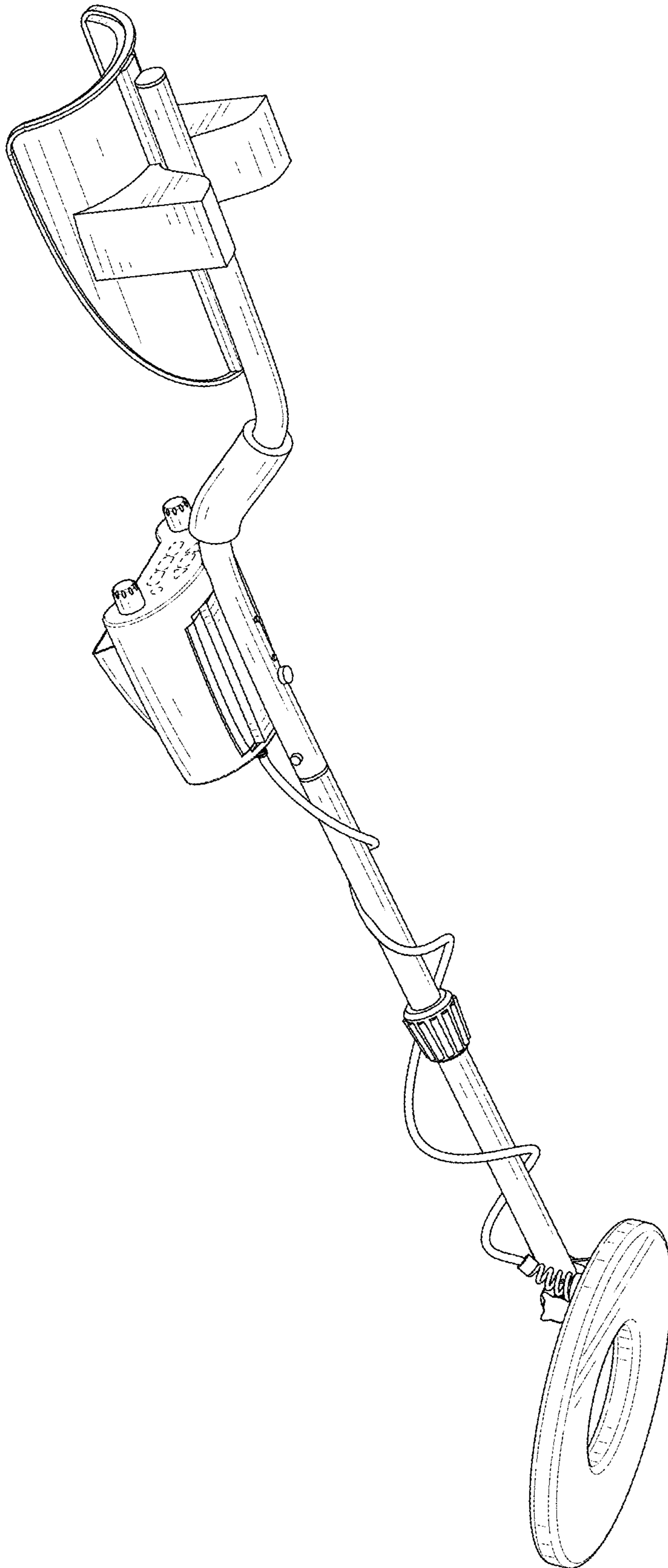


FIG. 2

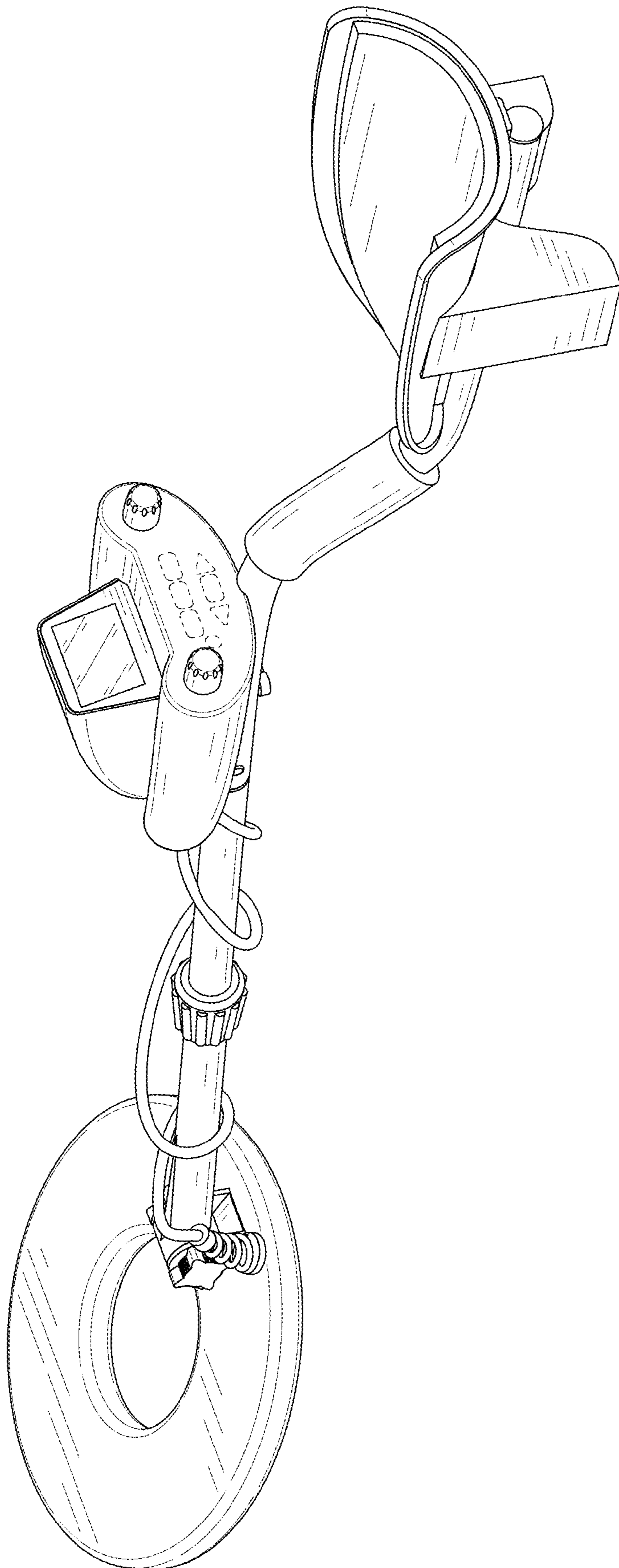


FIG. 3

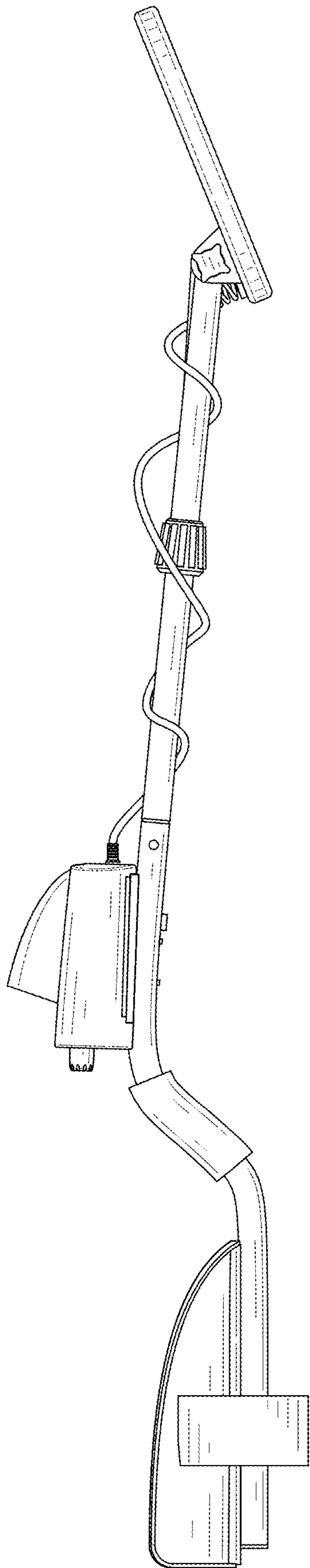


FIG. 4

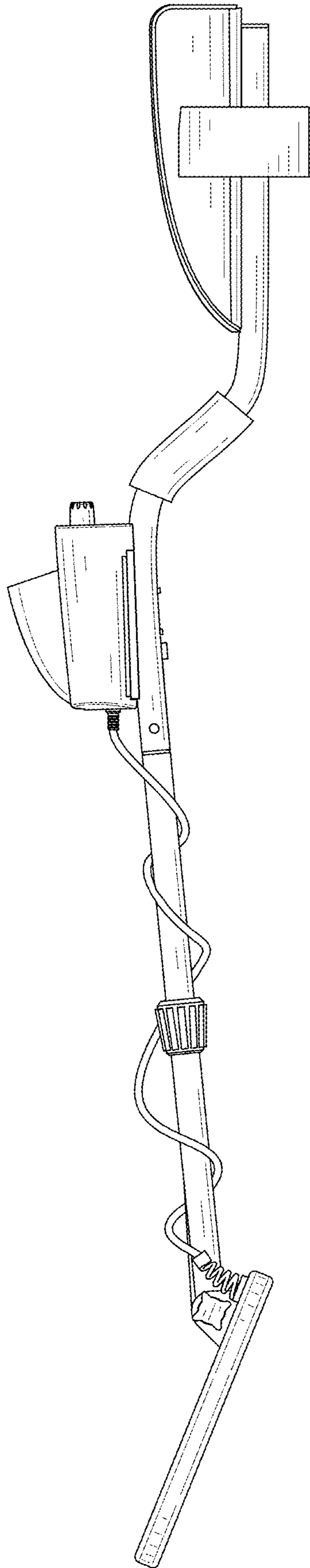


FIG. 5

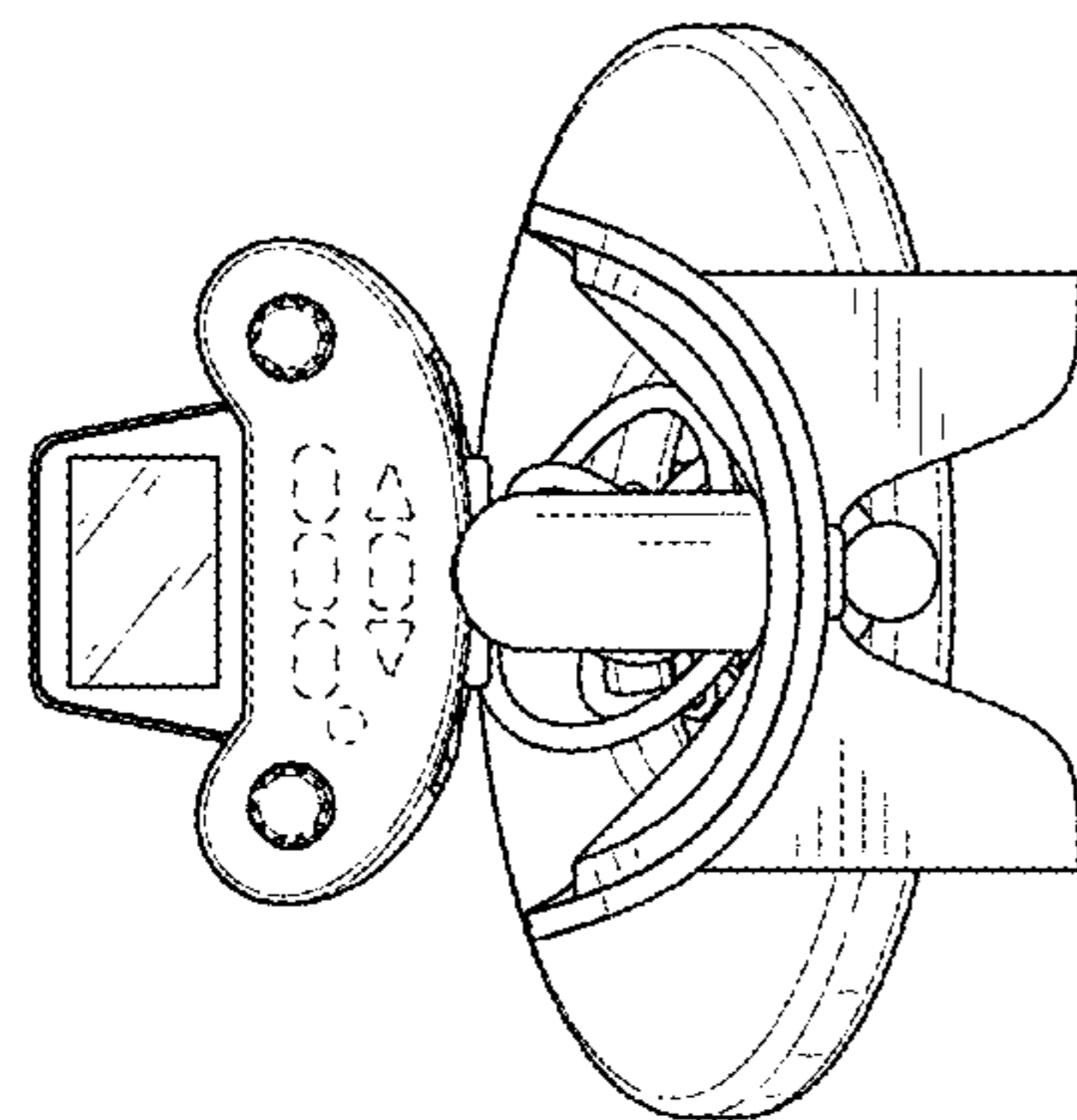


FIG. 6

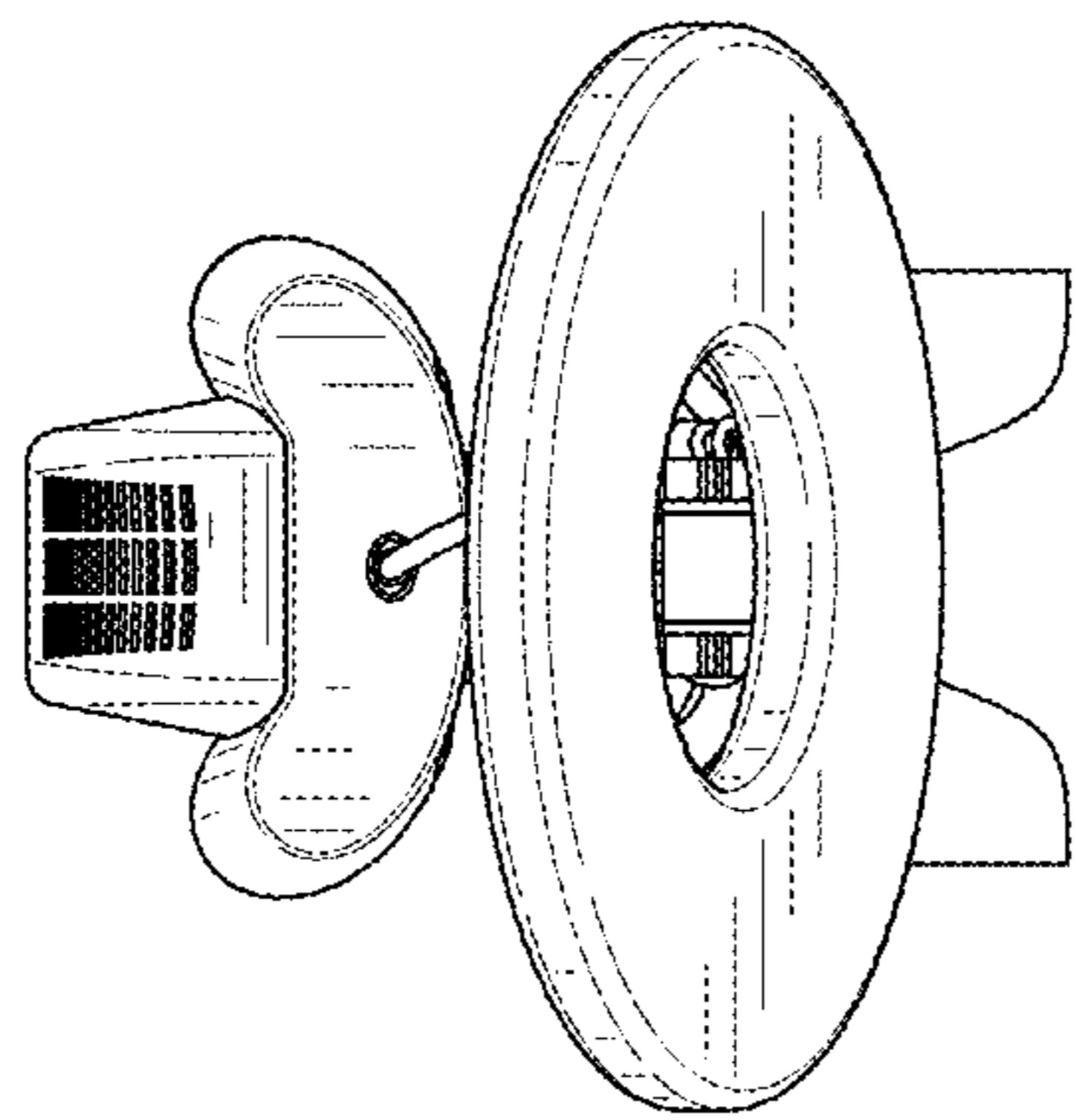


FIG. 7

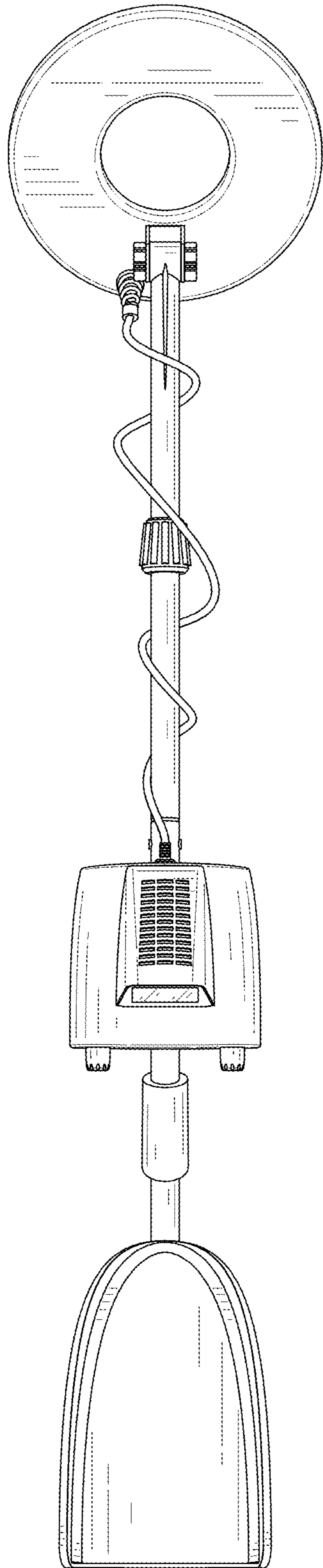


FIG. 8

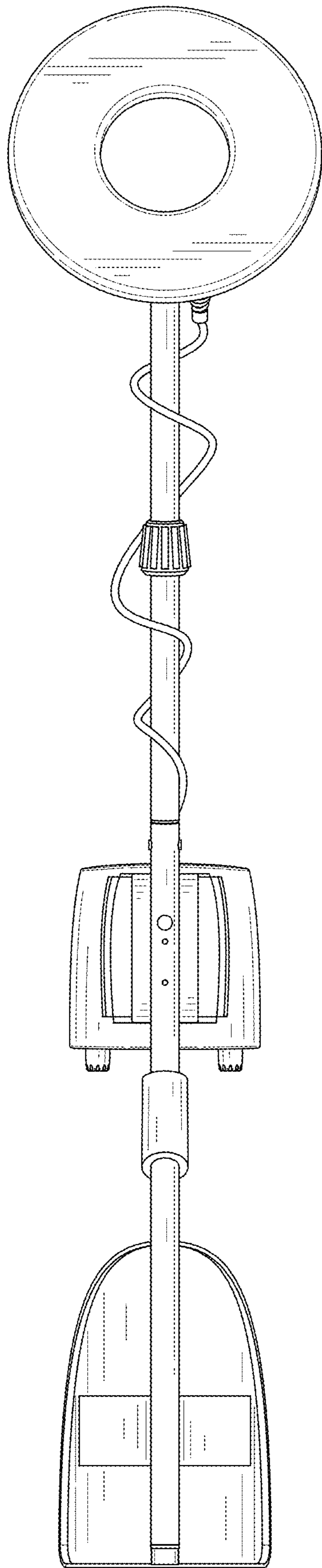


FIG. 9

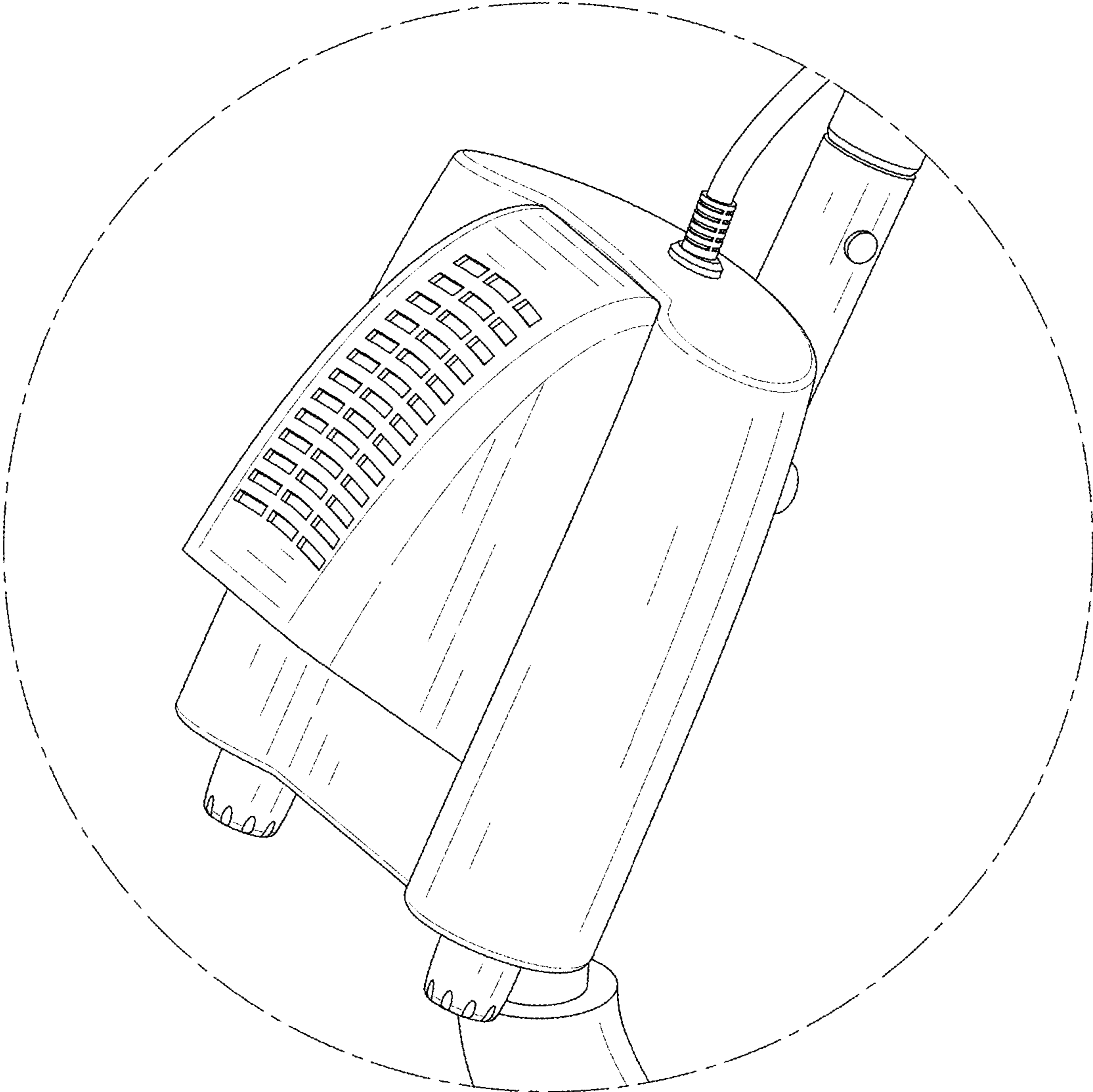


FIG. 10

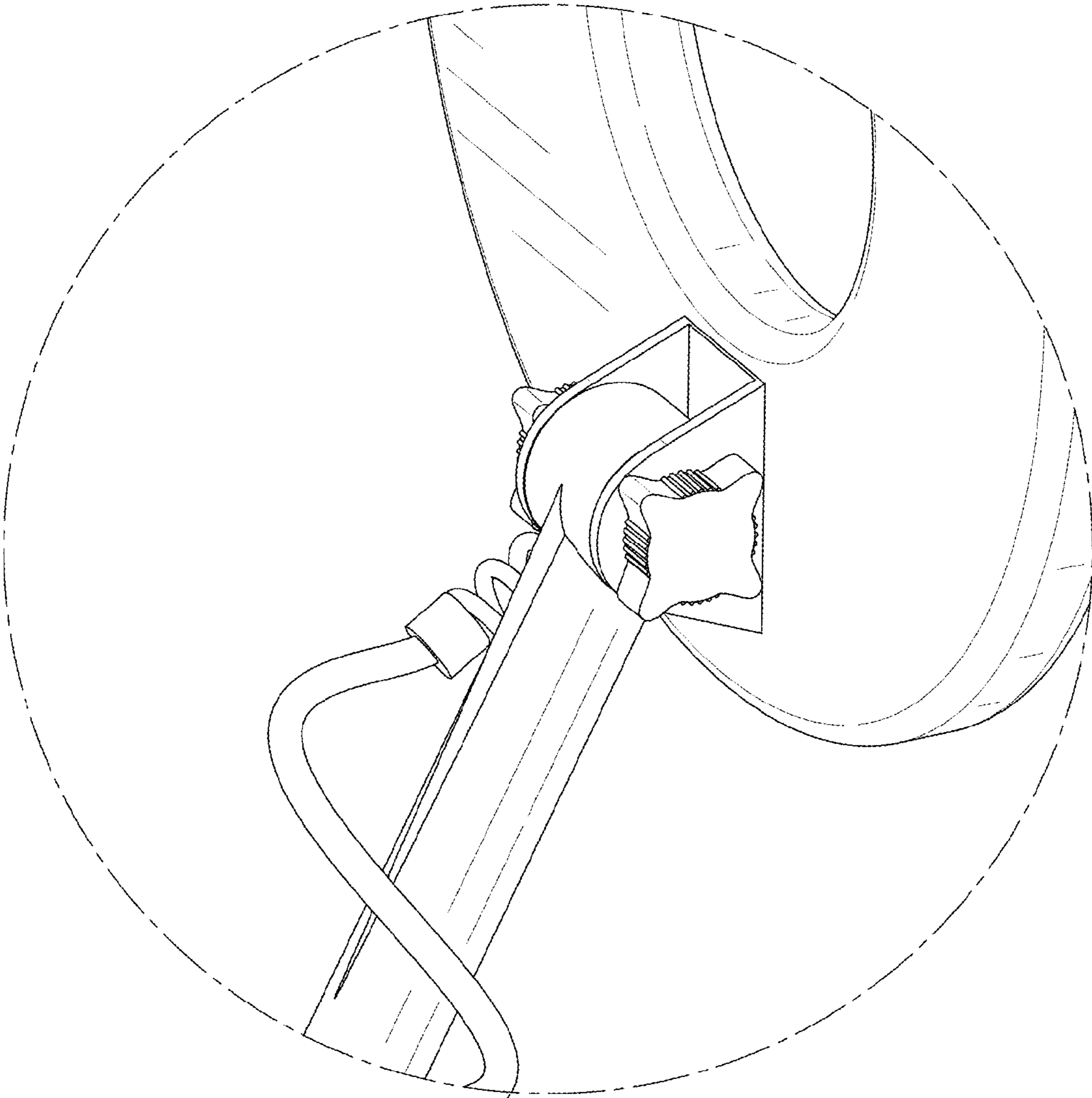


FIG. 11