



US00D887867S

(12) **United States Design Patent**
Overhoff

(10) **Patent No.:** **US D887,867 S**

(45) **Date of Patent:** **** Jun. 23, 2020**

(54) **GAME TIMER**

45/046; G04B 47/048; G04F 1/00; G04F
7/06; G04F 7/062; G04F 7/065; G04F
8/006; G07C 1/28

(71) Applicant: **R.W.S. Overhoff Holding B.V.**,
Roosendaal (NL)

See application file for complete search history.

(72) Inventor: **Renatus Wilhelmus Seraphinus**
Overhoff, Roosendaal (NL)

(56) **References Cited**

U.S. PATENT DOCUMENTS

(73) Assignee: **R.W.S. Overhoff Holding B.V.**,
Roosendaal (NL)

D298,420 S * 11/1988 Lin D10/44
D320,752 S * 10/1991 Koziol D10/2
5,578,992 A * 11/1996 Harding G08B 15/04
340/321
6,286,973 B1 * 9/2001 Thrower F21V 33/0052
340/438

(**) Term: **15 Years**

(21) Appl. No.: **29/719,007**

(Continued)

(22) Filed: **Dec. 31, 2019**

Primary Examiner — Sandra S Snapp

Assistant Examiner — Katherine Glennon

(74) *Attorney, Agent, or Firm* — Hovey Williams LLP

Related U.S. Application Data

(62) Division of application No. 29/662,733, filed on Sep.
7, 2018.

(57) **CLAIM**

The ornamental design for a game timer, as shown and
described.

(30) **Foreign Application Priority Data**

Mar. 15, 2018 (EM) 004759736

(51) **LOC (12) Cl.** **10-03**

(52) **U.S. Cl.**
USPC **D10/41**

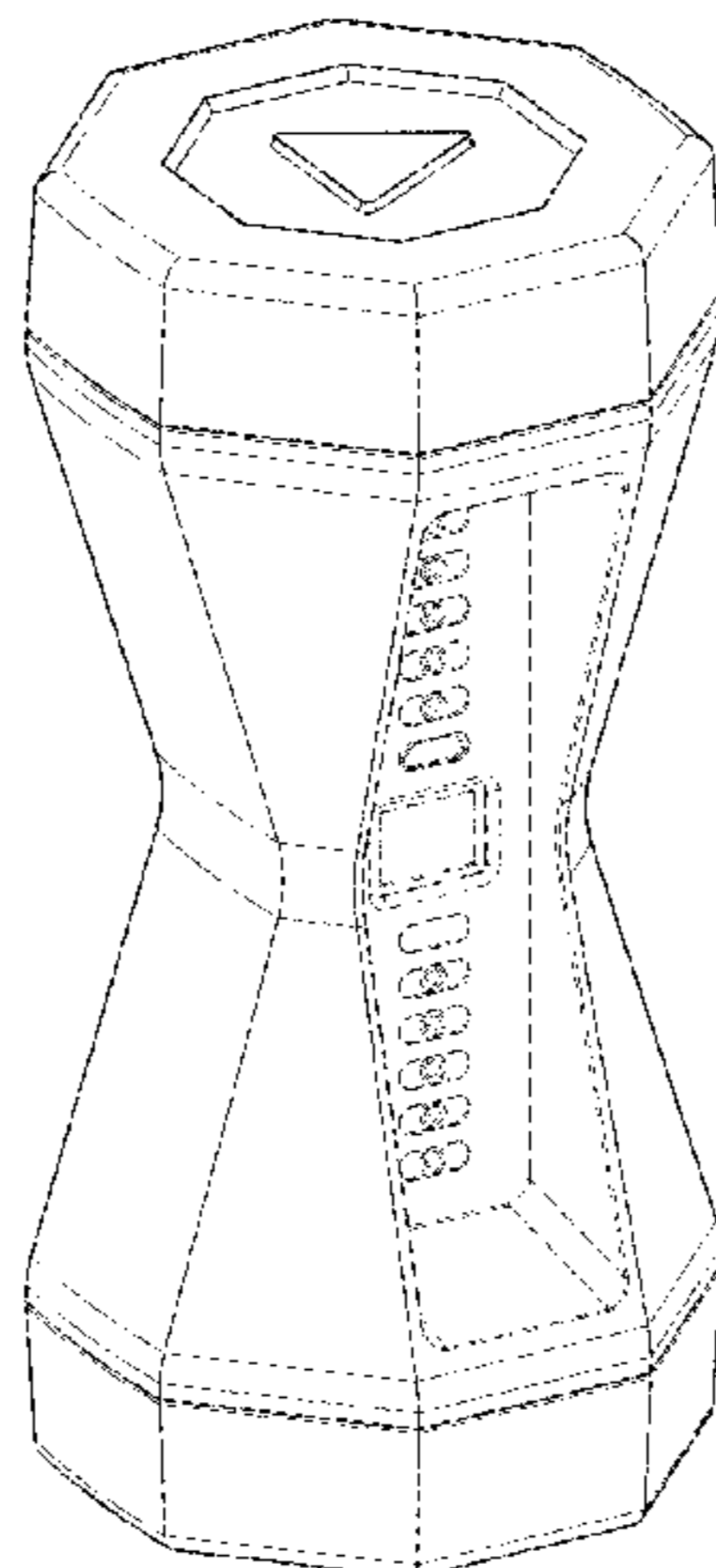
(58) **Field of Classification Search**
USPC D10/1-2, 5, 7, 14-15, 22, 24, 40-41,
D10/122-124, 126-130; D14/170-172,
D14/189, 344; D21/324, 329, 331, 531,
D21/369-397

CPC G04B 19/00; G04B 19/04; G04B 19/042;
G04B 19/046; G04B 19/048; G04B
19/06; G04B 19/08; G04B 19/085; G04B
19/087; G04B 19/10; G04B 19/12; G04B
19/26; G04B 19/262; G04B 19/264;
G04B 19/268; G04B 21/08; G04B 23/00;
G04B 23/03; G04B 23/028; G04B
23/008; G04B 37/00; G04B 37/008;
G04B 37/0075; G04B 45/04; G04B

DESCRIPTION

FIG. 1 is an upper front perspective view of a game timer
embodying my design;
FIG. 2 is an upper rear perspective view of the game timer
shown in FIG. 1;
FIG. 3 is a front elevation view of the game timer shown in
FIGS. 1 and 2;
FIG. 4 is a rear elevation view of the game timer shown in
FIGS. 1-3;
FIG. 5 is a side elevation view of the game timer shown in
FIGS. 1-4, with the opposite side elevation being a mirror
image thereof;
FIG. 6 is a top plan view of the game timer shown in FIGS.
1-5; and,
FIG. 7 is a bottom plan view of the game timer shown in
FIGS. 1-6.

(Continued)



The broken lines show portions of the game timer that form no part of the claimed design.

1 Claim, 2 Drawing Sheets

(56)

References Cited

U.S. PATENT DOCUMENTS

D460,004 S *	7/2002	van Dullemen	D10/40
D472,162 S *	3/2003	Dullemen	D10/40
D498,317 S *	11/2004	Yuen	D26/38
D501,054 S *	1/2005	Galli	D10/40
D510,284 S *	10/2005	Hsu	G04B 19/06
				D10/44
D523,576 S *	6/2006	Chen	A47J 31/002
				99/279
D593,424 S *	6/2009	Wang	D10/40
D595,158 S *	6/2009	Naimi	D10/40
D773,321 S *	12/2016	Bronwasser	D10/40
D807,203 S *	1/2018	Bedol	D10/40
2008/0148955 A1 *	6/2008	Neace	A47J 31/002
				99/279
2015/0023139 A1 *	1/2015	McGrane	G04B 19/06
				368/108

* cited by examiner

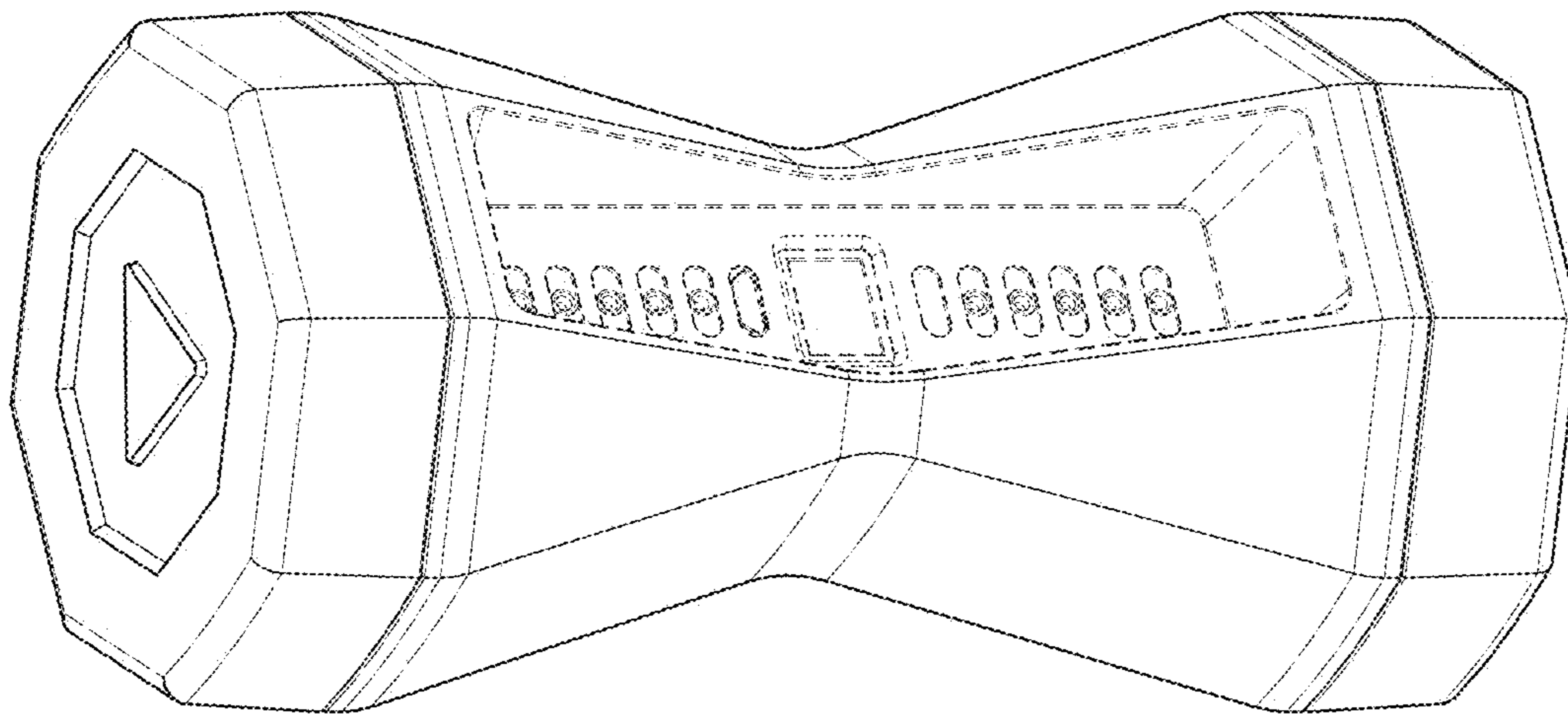


FIG. 1

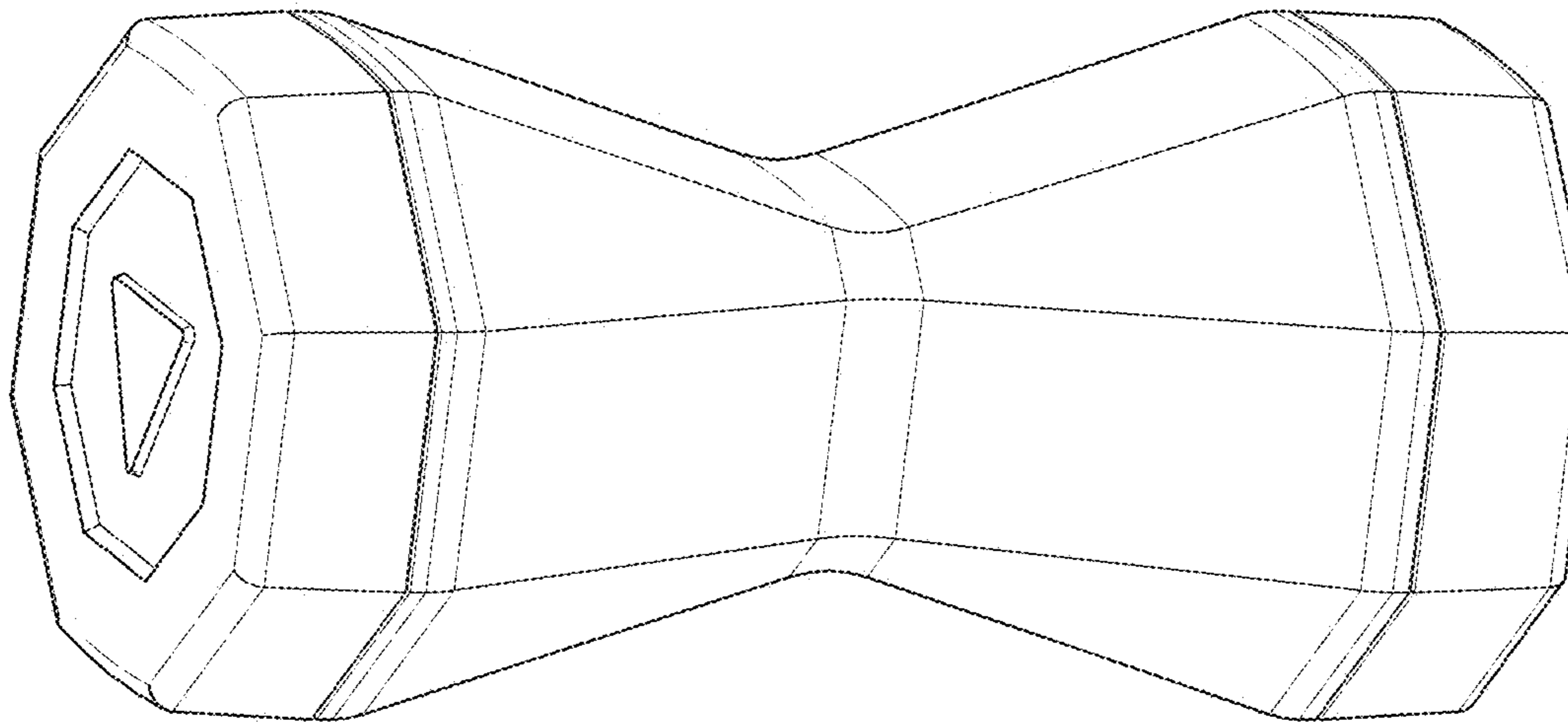


FIG. 2

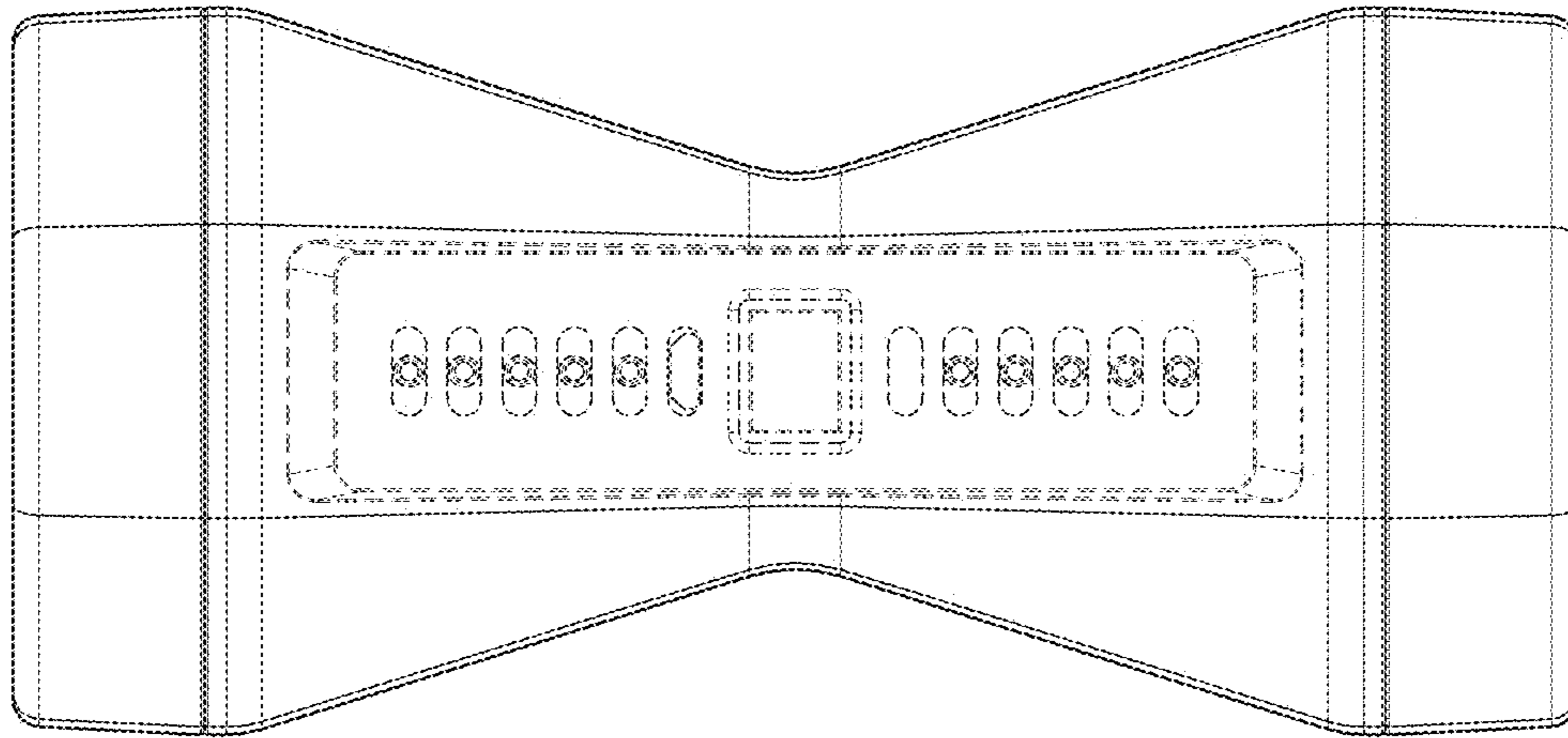


FIG. 3

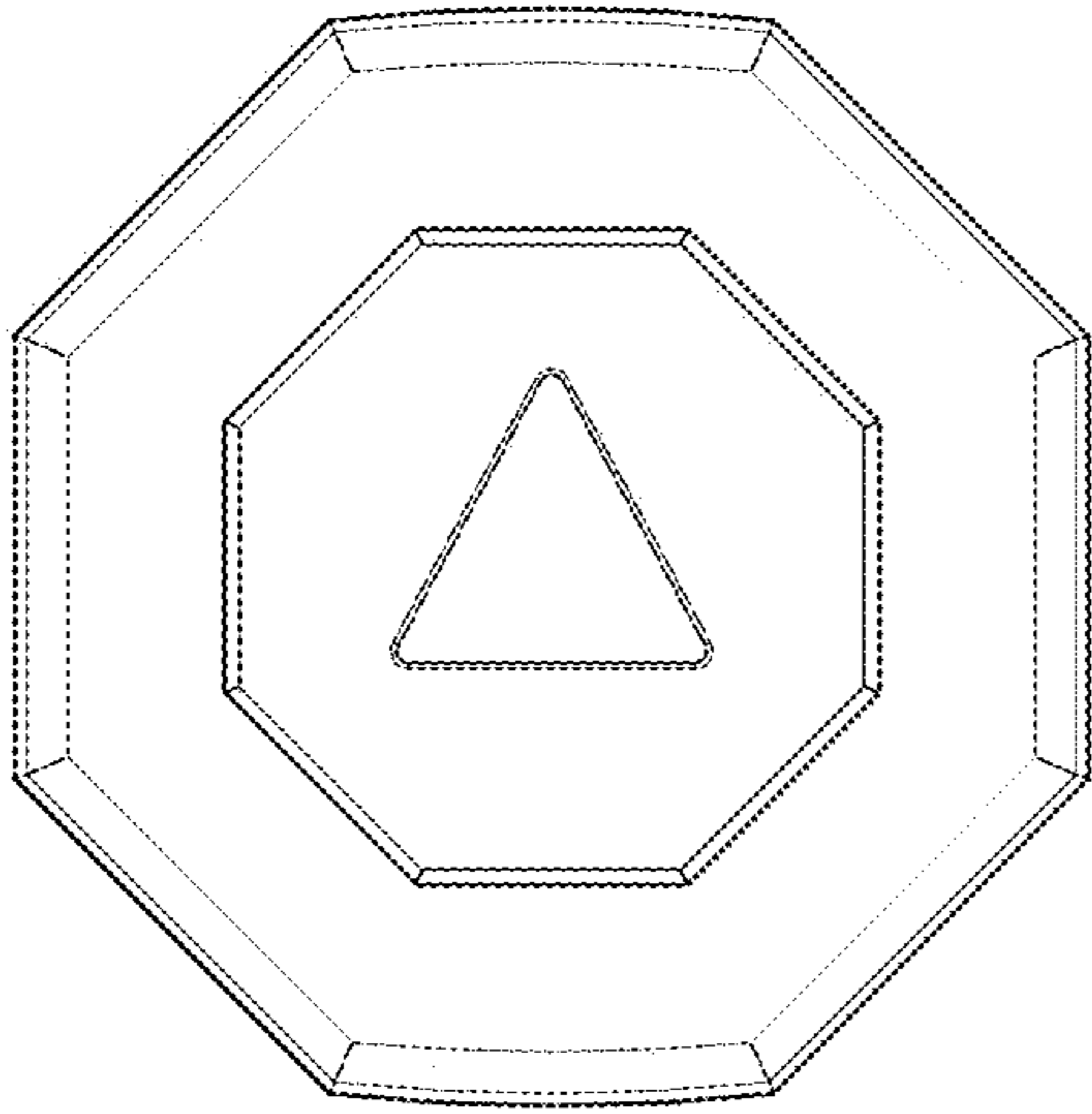


FIG. 6

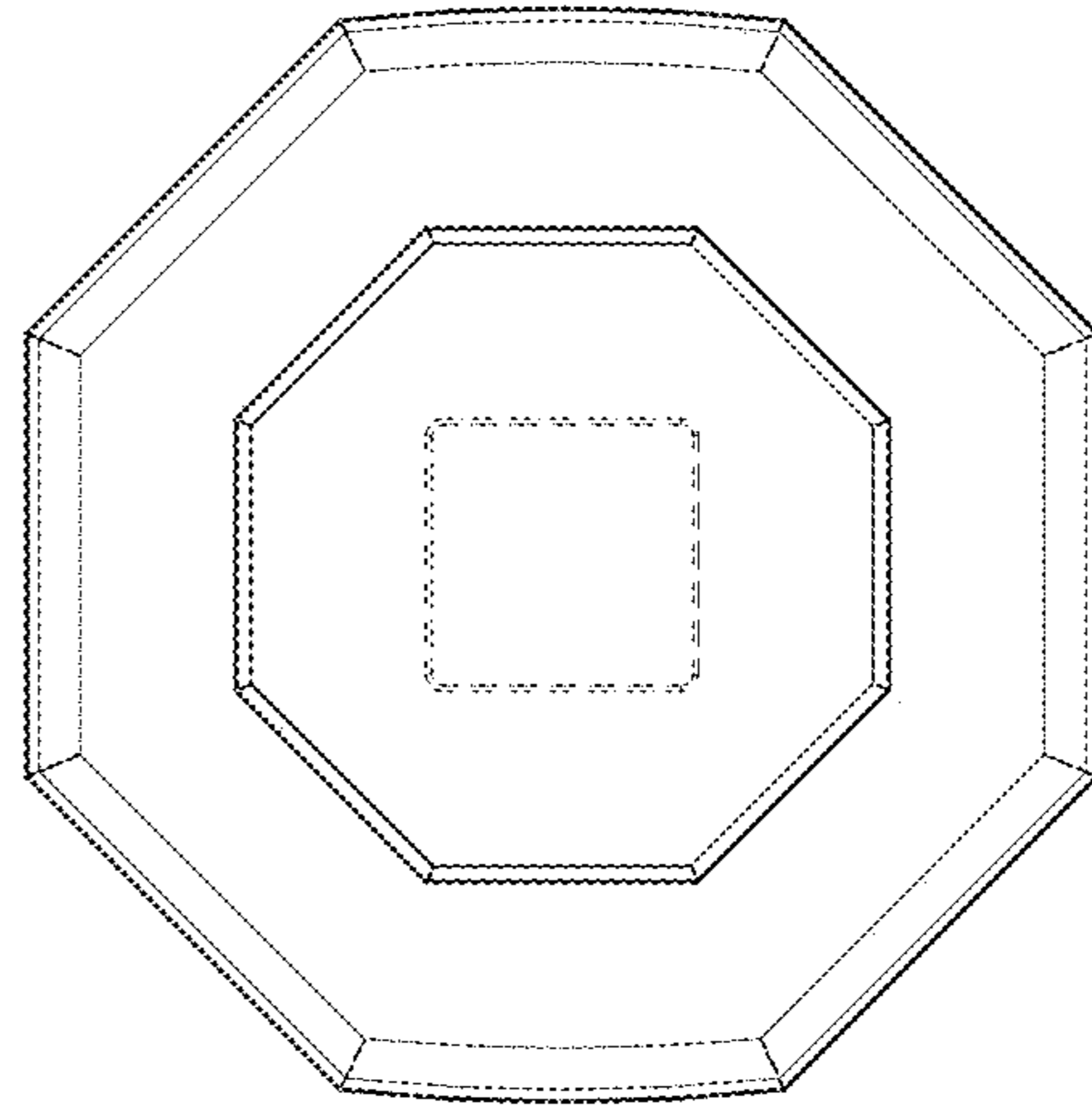


FIG. 7

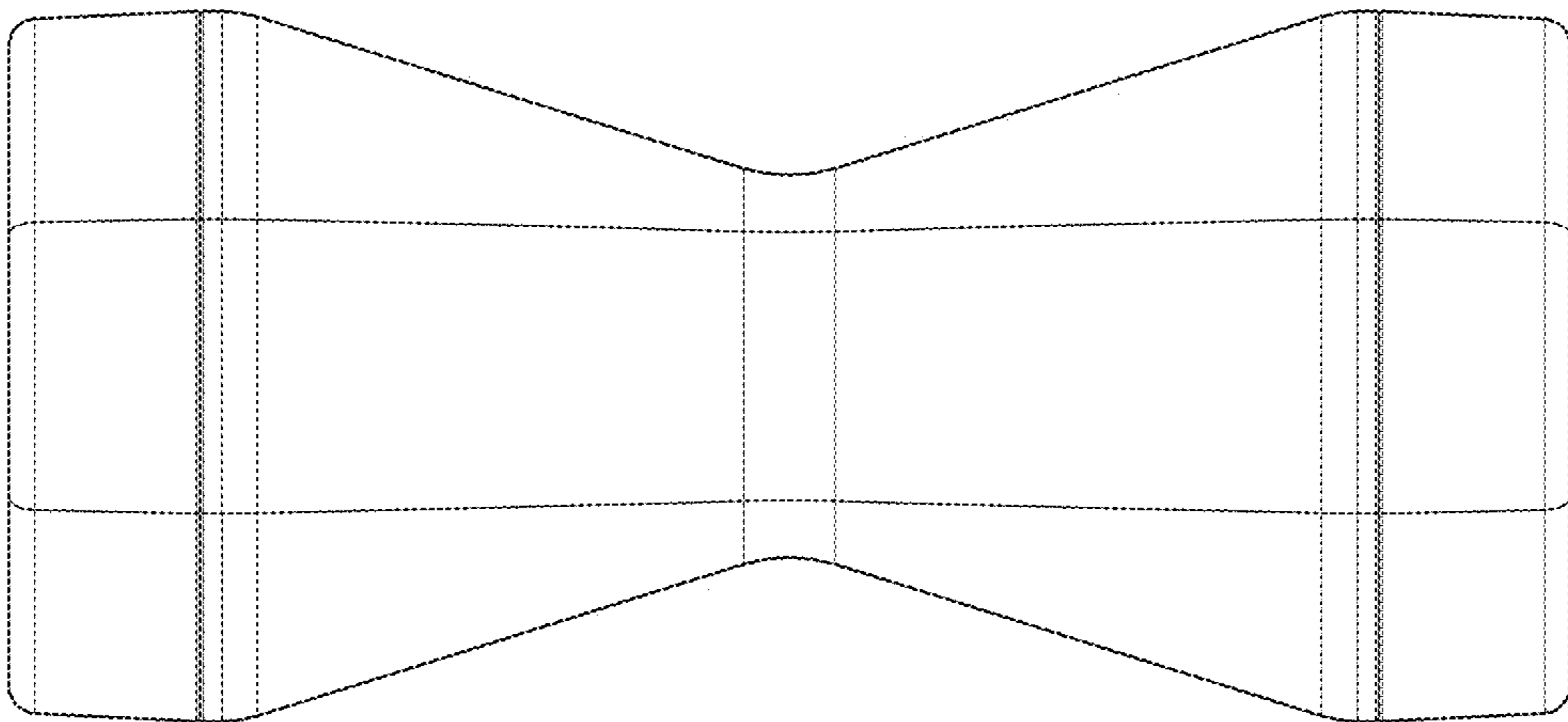


FIG. 5

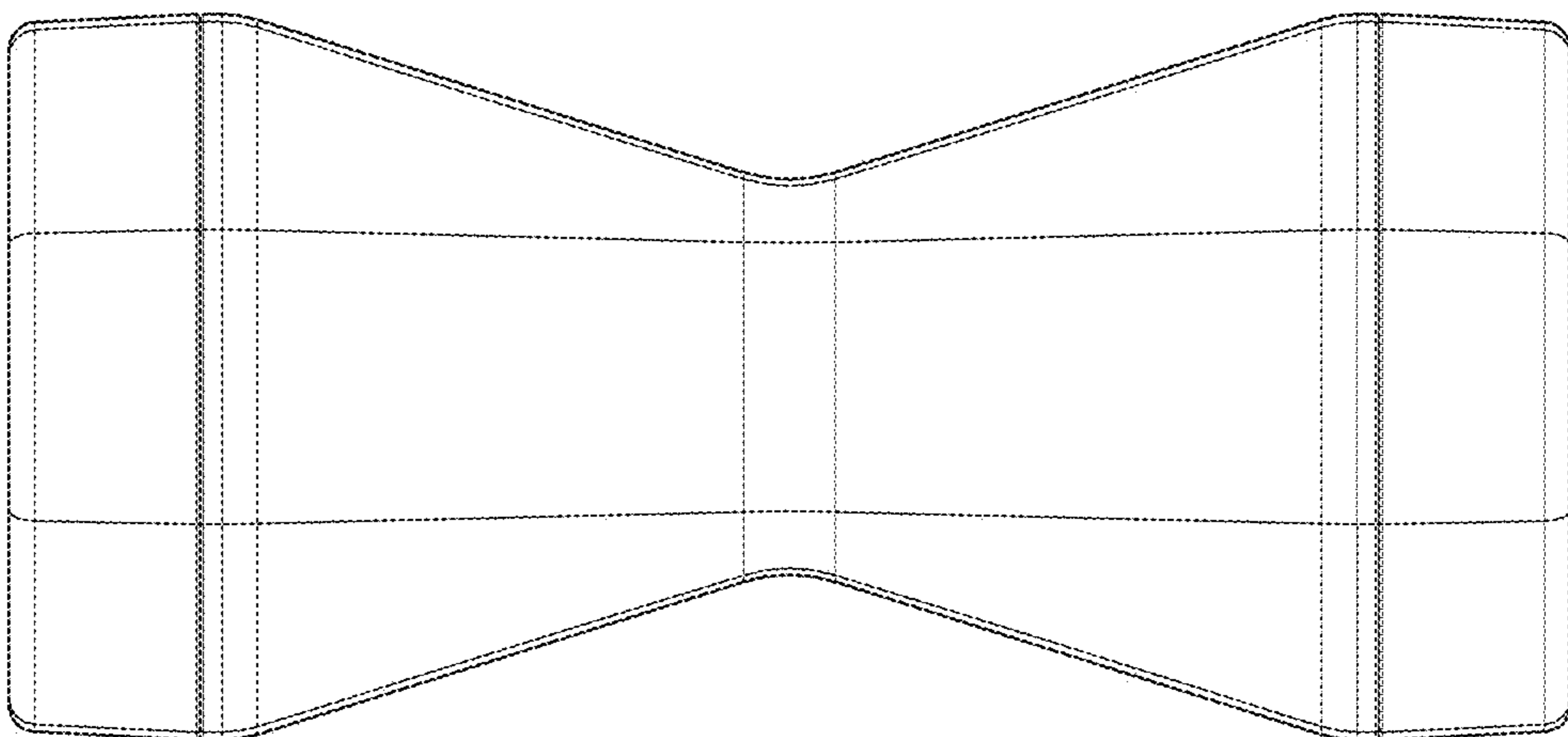


FIG. 4