



US00D887866S

(12) **United States Design Patent**
Overhoff

(10) **Patent No.:** **US D887,866 S**

(45) **Date of Patent:** **** Jun. 23, 2020**

(54) **GAME TIMER**

Primary Examiner — Sandra S Snapp
Assistant Examiner — Katherine Glennon

(71) Applicant: **R.W.S. Overhoff Holding B.V.**,
Roosendaal (NL)

(57) **CLAIM**

The ornamental design for a game timer, as shown and described.

(72) Inventor: **Renatus Wilhelmus Seraphinus Overhoff**, Roosendaal (NL)

DESCRIPTION

(73) Assignee: **R.W.S. Overhoff Holding B.V.**,
Roosendaal (NL)

The patent or application file contains at least one drawing executed in color. Copies of this patent or patent application publication with color drawing(s) will be provided by the Office upon request and payment of the necessary fee.

(**) Term: **15 Years**

FIG. 1 is an upper front perspective view of a game timer embodying a first embodiment of my design;

(21) Appl. No.: **29/662,733**

FIG. 2 is an upper rear perspective view of the game timer shown in FIG. 1;

(22) Filed: **Sep. 7, 2018**

FIG. 3 is a front elevation view of the game timer shown in FIGS. 1 and 2;

(30) **Foreign Application Priority Data**

Mar. 15, 2018 (EM) 004759736

FIG. 4 is a rear elevation view of the game timer shown in FIGS. 1-3;

(51) **LOC (12) Cl.** **10-03**

FIG. 5 is a side elevation view of the game timer shown in FIGS. 1-4, with the opposite side elevation being a mirror image thereof;

(52) **U.S. Cl.**

USPC **D10/41**

FIG. 6 is a top plan view of the game timer shown in FIGS. 1-5;

(58) **Field of Classification Search**

USPC D10/30-32, 38-39, 40-41, 44, 65, 70,
D10/97-98, 99-102, 126; D21/331-332,
D21/531

FIG. 7 is a bottom plan view of the game timer shown in FIGS. 1-6;

(Continued)

FIG. 8 is an upper front perspective view of a game timer embodying a second embodiment of my design;

(56) **References Cited**

U.S. PATENT DOCUMENTS

3,974,638 A * 8/1976 Haber G04C 3/001
368/227

FIG. 9 is an upper rear perspective view of the game timer shown in FIG. 8;

D298,420 S * 11/1988 Lin D10/44

FIG. 10 is a front elevation view of the game timer shown in FIGS. 8 and 9;

(Continued)

FIG. 11 is a rear elevation view of the game timer shown in FIGS. 8-10;

OTHER PUBLICATIONS

Gametimer | posted at gametimer.com no posting date [online]. © 2019 Gametimer [retrieved Oct. 9, 2019] from Internet: <https://gametimer.com/> (Year: 2019).*

FIG. 12 is a side elevation view of the game timer shown in FIGS. 8-11, with the opposite side elevation being a mirror image thereof;

(Continued)

FIG. 13 is a top plan view of the game timer shown in FIGS. 8-12;

(Continued)

FIG. 14 is a bottom plan view of the game timer shown in FIGS. 8-13;

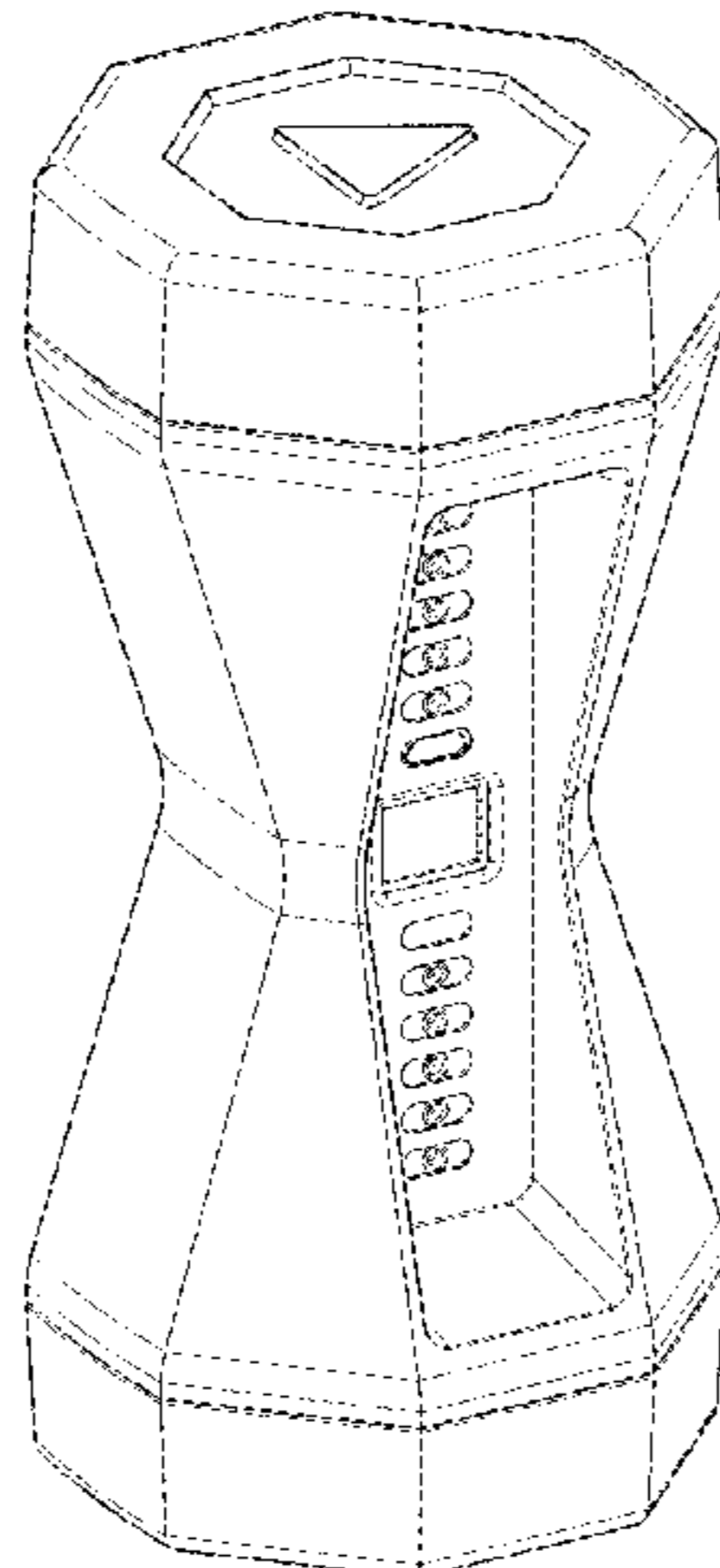


FIG. 15 is an upper front perspective view of a game timer embodying a third embodiment of my design;
 FIG. 16 is an upper rear perspective view of the game timer shown in FIG. 15;
 FIG. 17 is a front elevation view of the game timer shown in FIGS. 15 and 16;
 FIG. 18 is a rear elevation view of the game timer shown in FIGS. 15-17;
 FIG. 19 is a side elevation view of the game timer shown in FIGS. 15-18, with the opposite side elevation being a mirror image thereof;
 FIG. 20 is a top plan view of the game timer shown in FIGS. 15-19; and,
 FIG. 21 is a bottom plan view of the game timer shown in FIGS. 15-20.

1 Claim, 6 Drawing Sheets
(4 of 6 Drawing Sheet(s) Filed in Color)

(58) **Field of Classification Search**

CPC G04B 19/00; G04B 19/025; G04B 19/06;
 G04B 19/08; G04B 19/085; G04B
 19/087; G04B 19/10; G04B 19/103;
 G04B 19/106; G04B 19/04; G04B
 19/042; G04B 19/046; G04B 19/048;

G04B 45/061; G04F 1/00; G04F 1/005;
 H01H 43/00

See application file for complete search history.

(56)

References Cited

U.S. PATENT DOCUMENTS

D320,752	S	*	10/1991	Koziol	D10/2
D352,668	S	*	11/1994	Peersmann	D10/15
D460,004	S	*	7/2002	van Dullemen	D10/40
D472,162	S	*	3/2003	Dullemen	D10/40
D510,284	S	*	10/2005	Hsu	D10/44
D726,031	S	*	4/2015	Bodum	D10/44
D773,321	S	*	12/2016	Bronwasser	D10/40
D807,203	S	*	1/2018	Bedol	D10/40
D847,666	S	*	5/2019	van de Goor	D10/41
2008/0148955	A1	*	6/2008	Neace	A47J 31/002 99/279
2011/0110198	A1	*	5/2011	Bulsink	A63F 11/00 368/96
2015/0023139	A1	*	1/2015	McGrane	G04B 19/06 368/108

OTHER PUBLICATIONS

GameTimer Teaches Kids to Track Time | posted at makeuseof.com
 Jan. 2019 [online]. © 2019 Make Use of [retrieved Oct. 9, 2019]
 from Internet: <<https://www.makeuseof.com/tag/gametimer-teaches-kids-track-timebeat-gaming-addiction/>> (Year: 2019).*

* cited by examiner

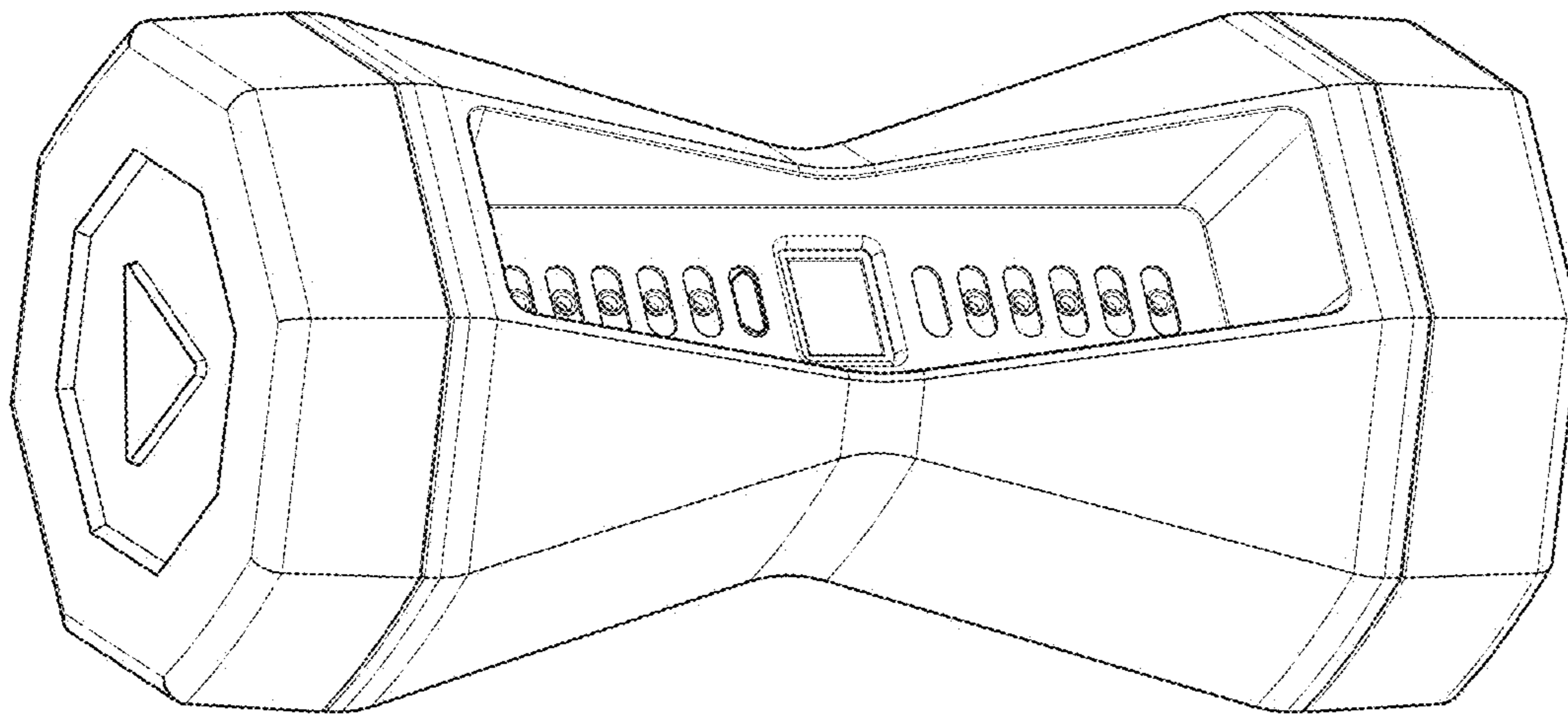


FIG. 1

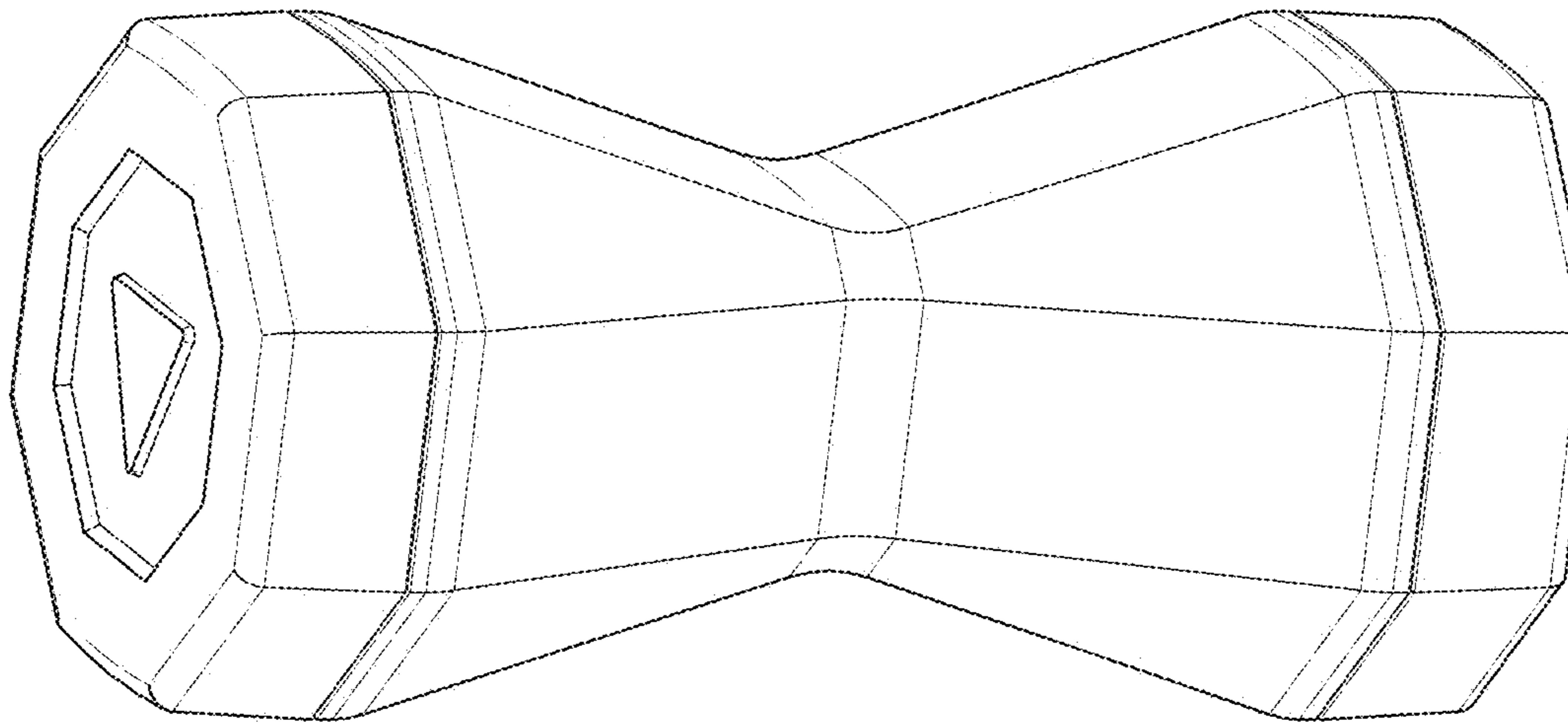


FIG. 2

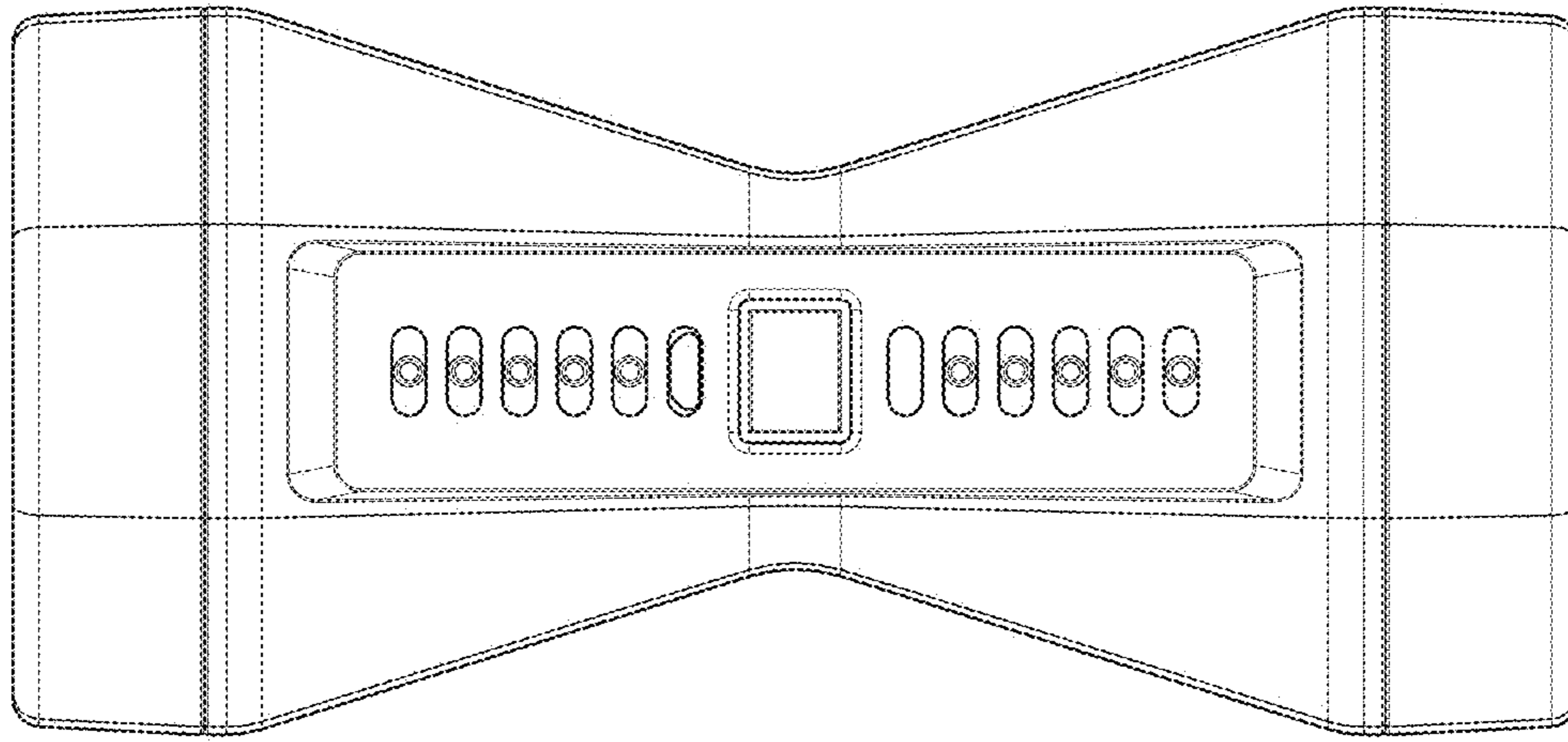


FIG. 3

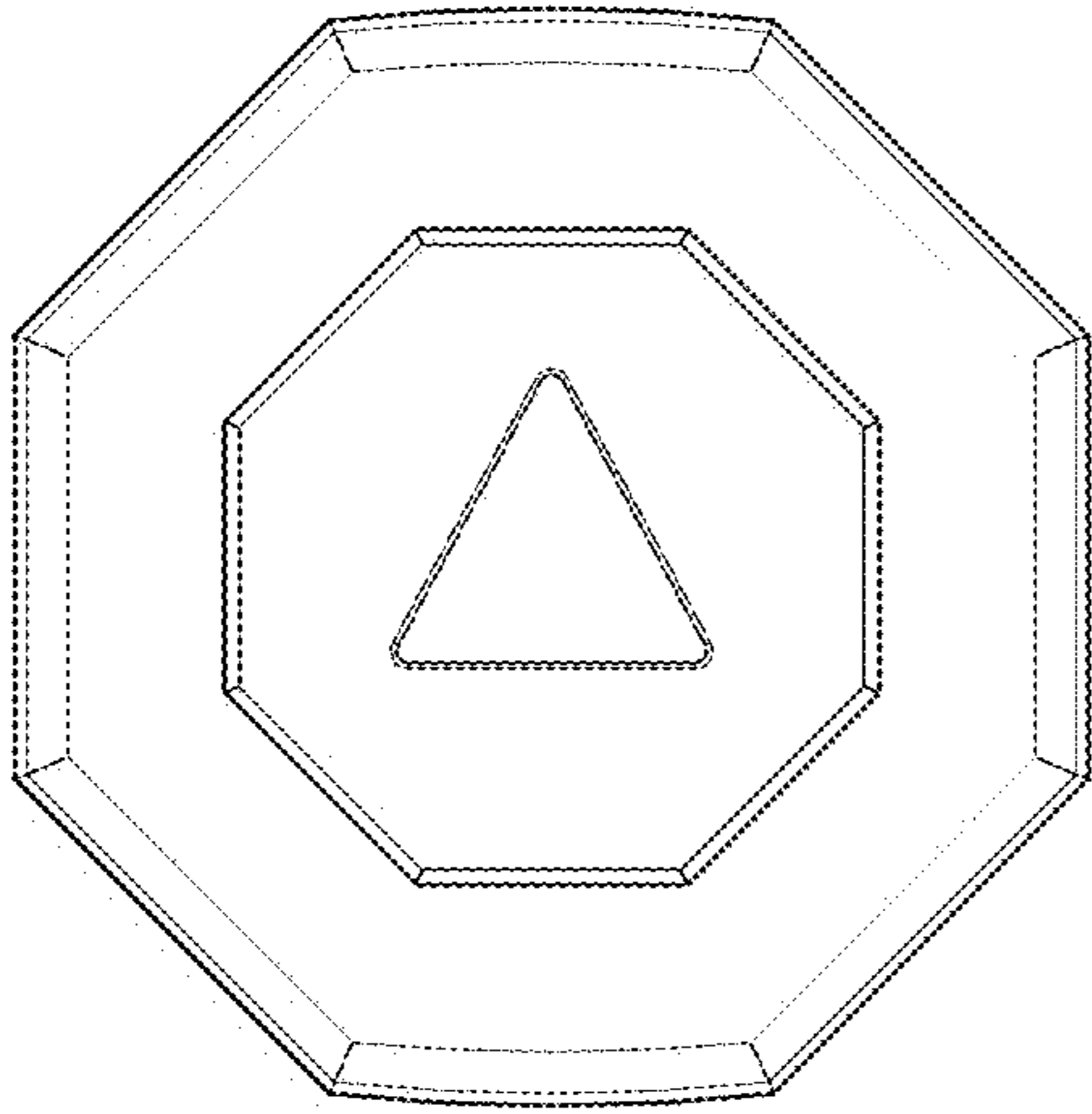


FIG. 6

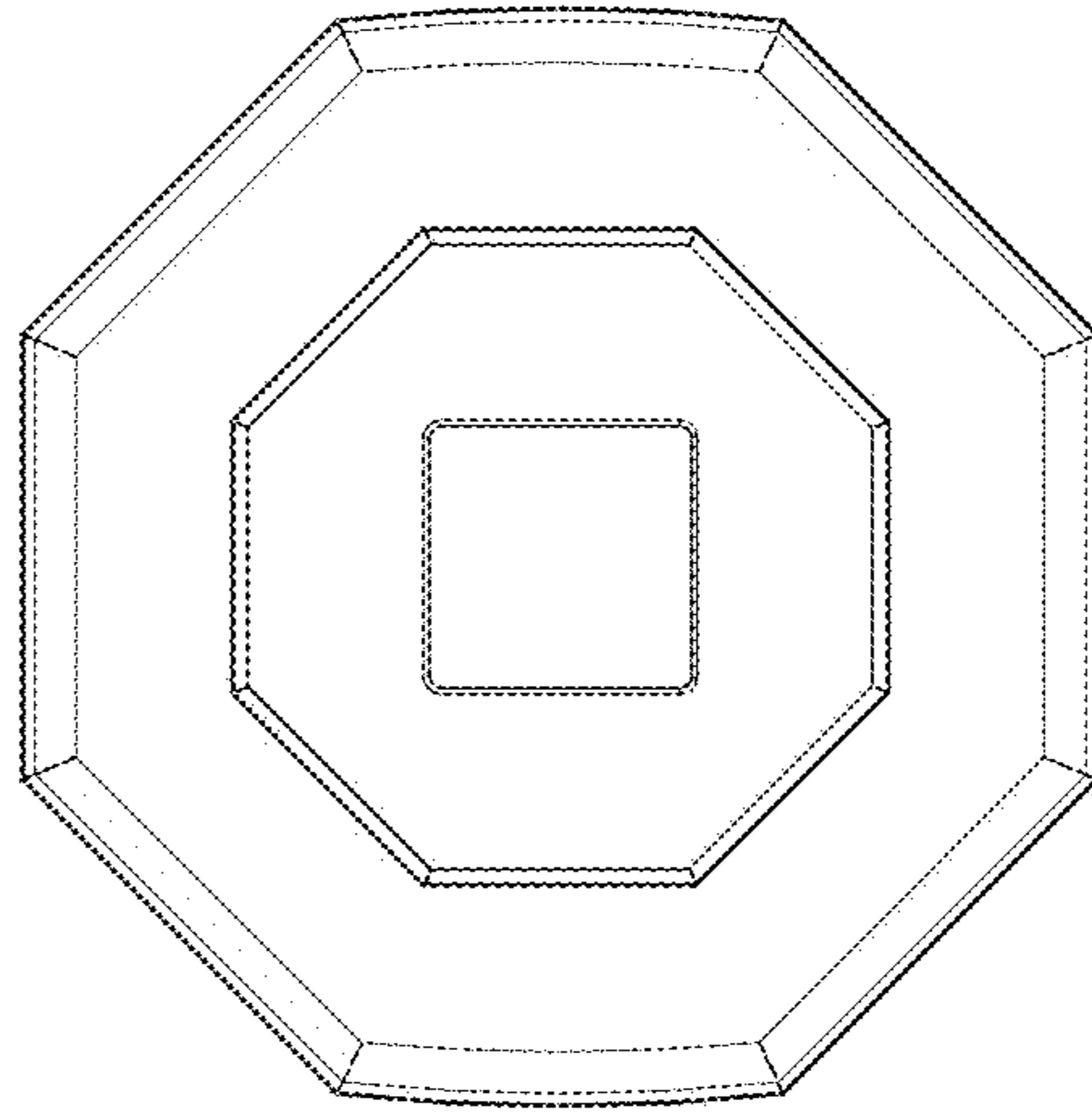


FIG. 7

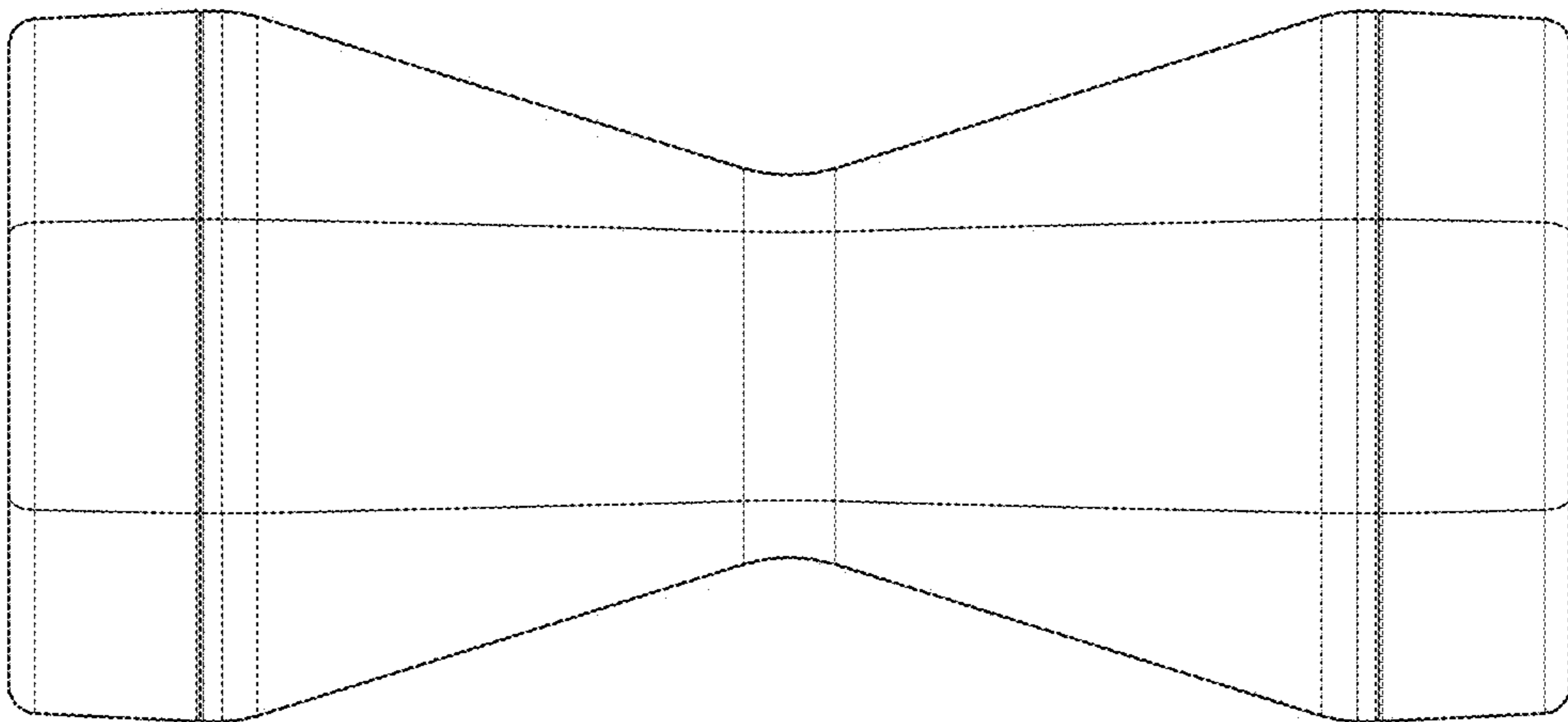


FIG. 5

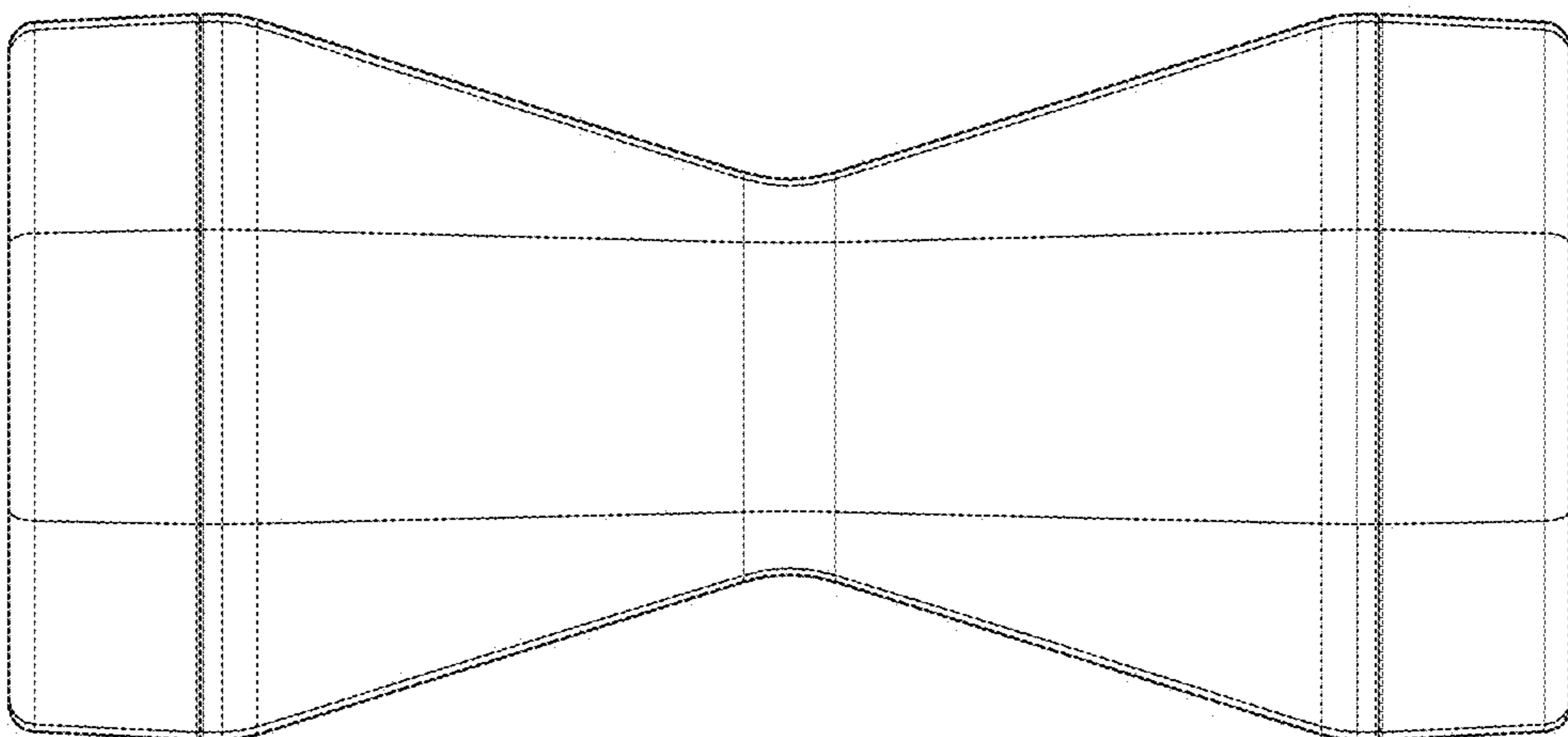


FIG. 4

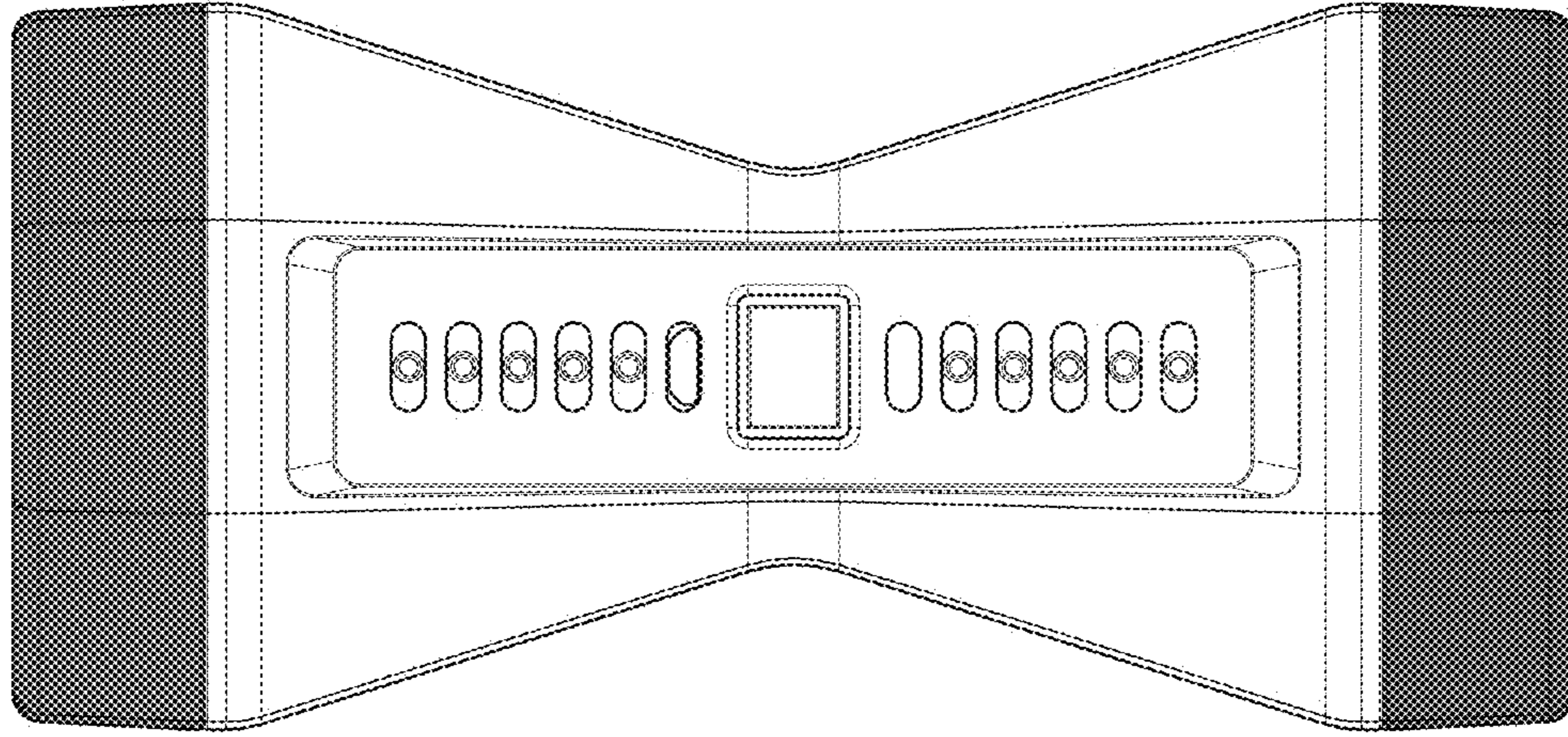


FIG. 10

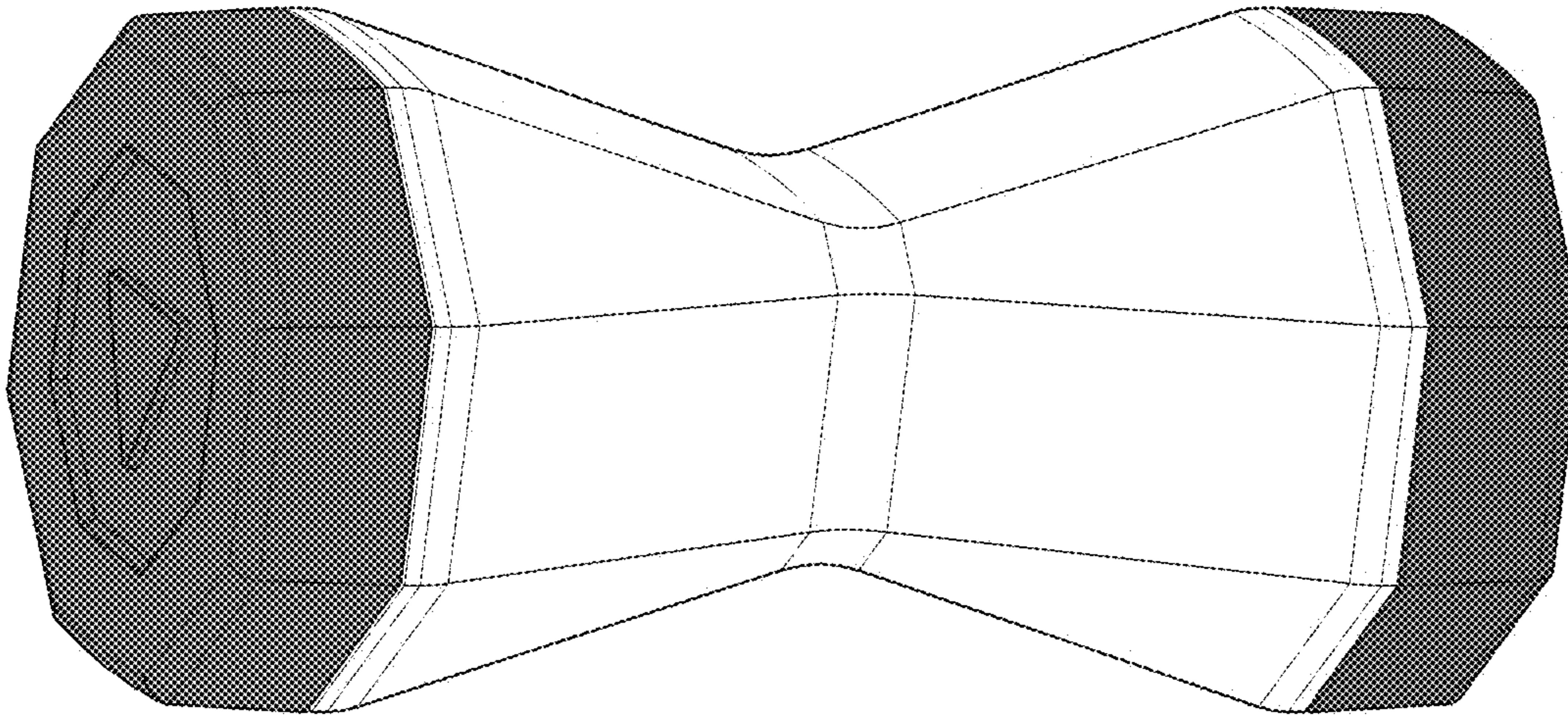


FIG. 9

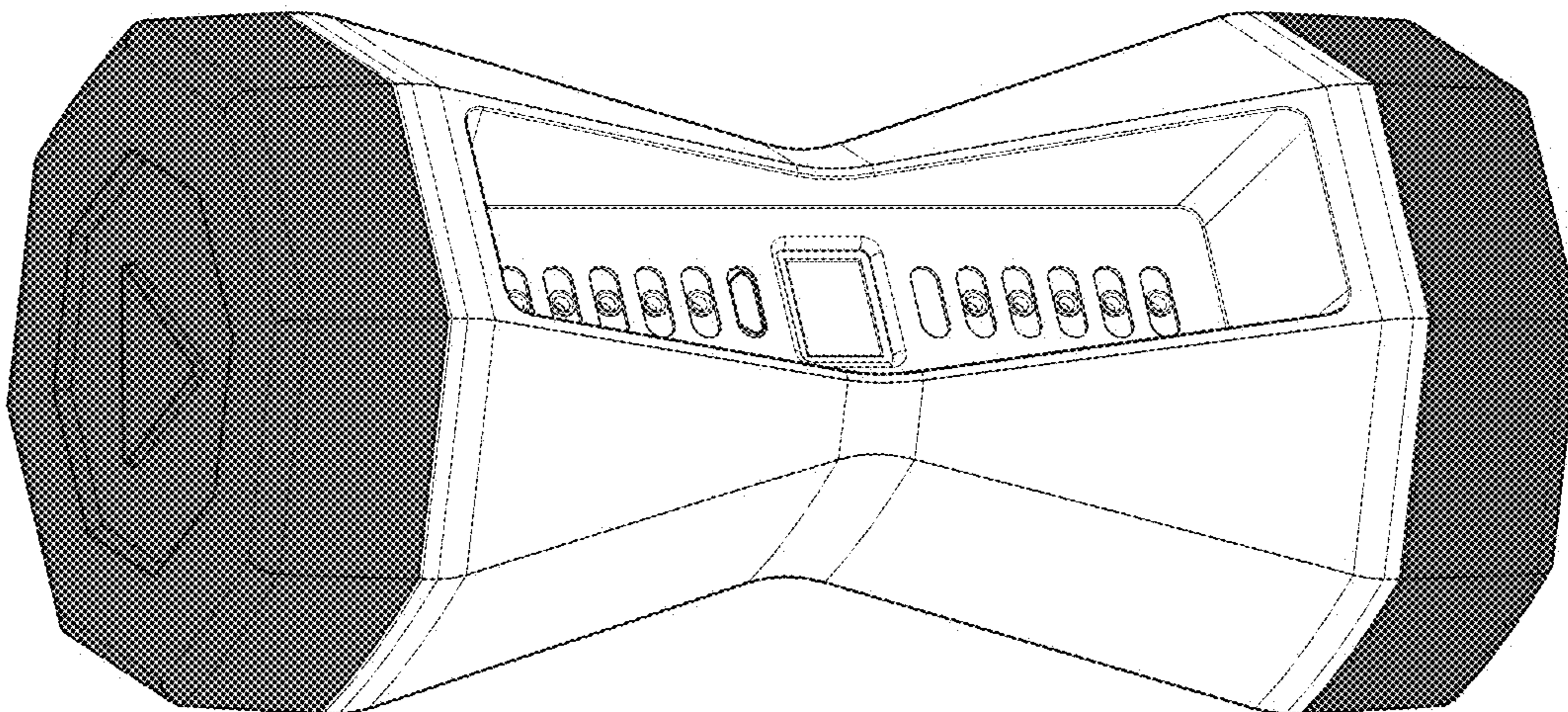


FIG. 8

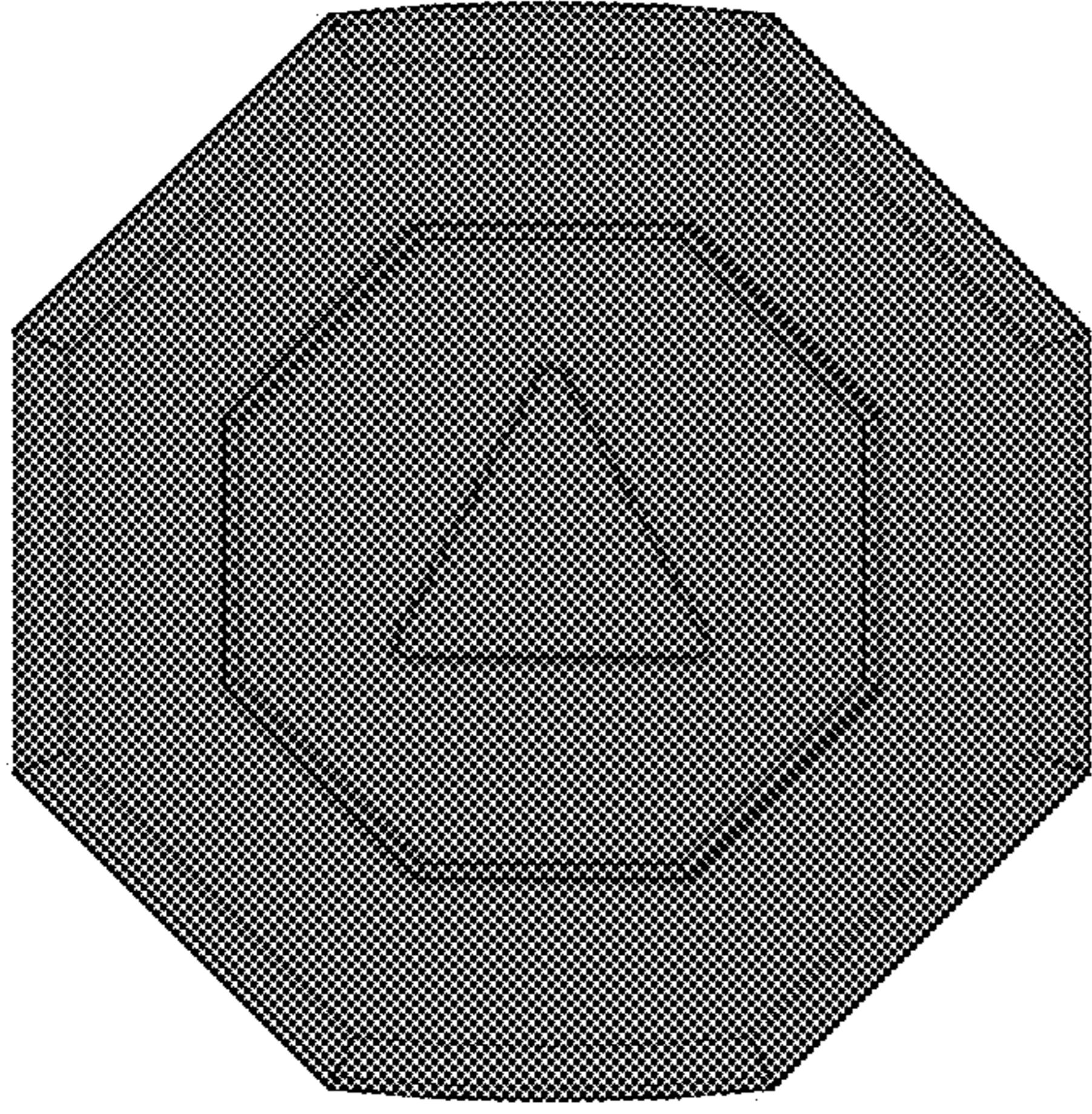


FIG. 13

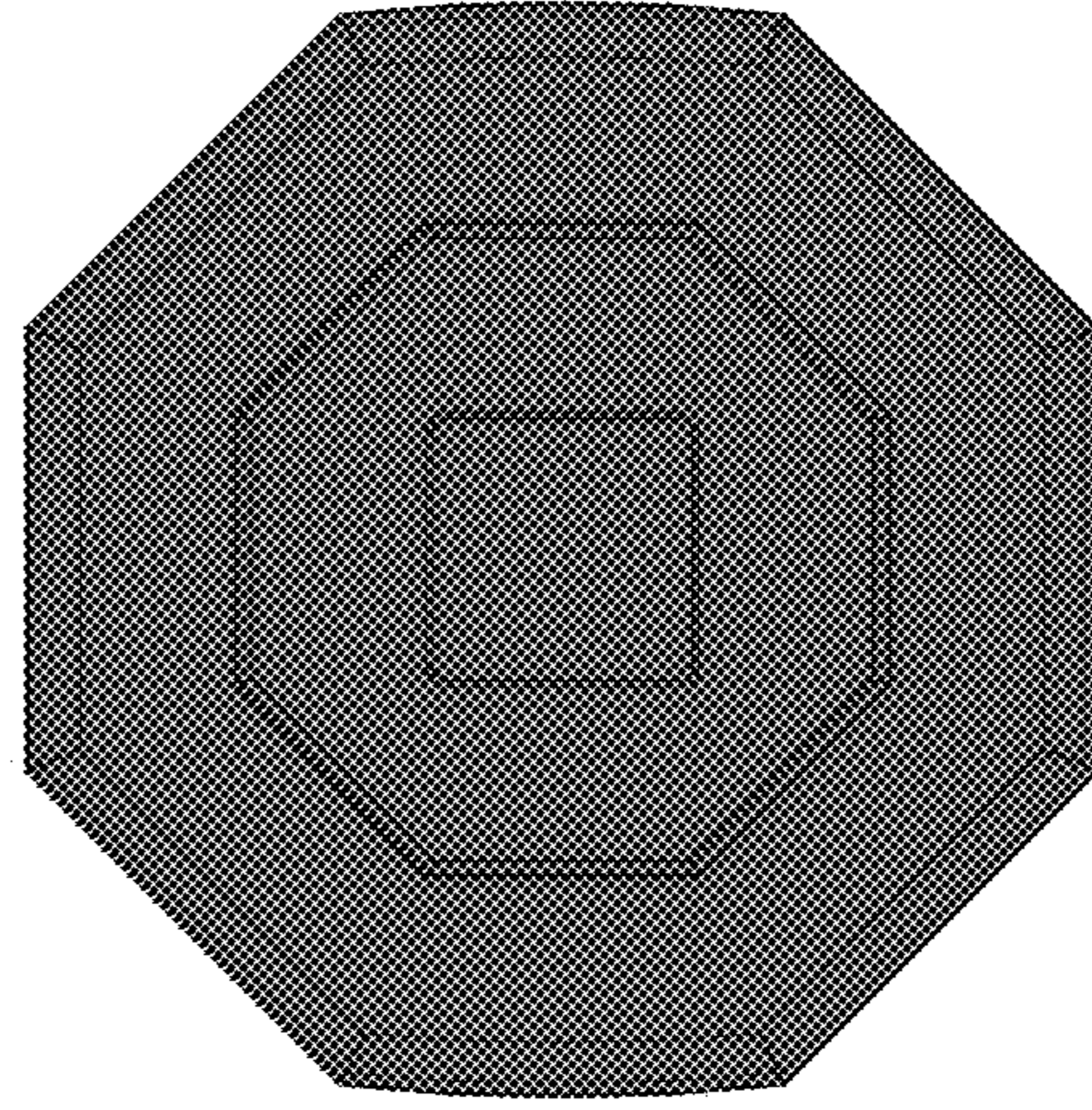


FIG. 14

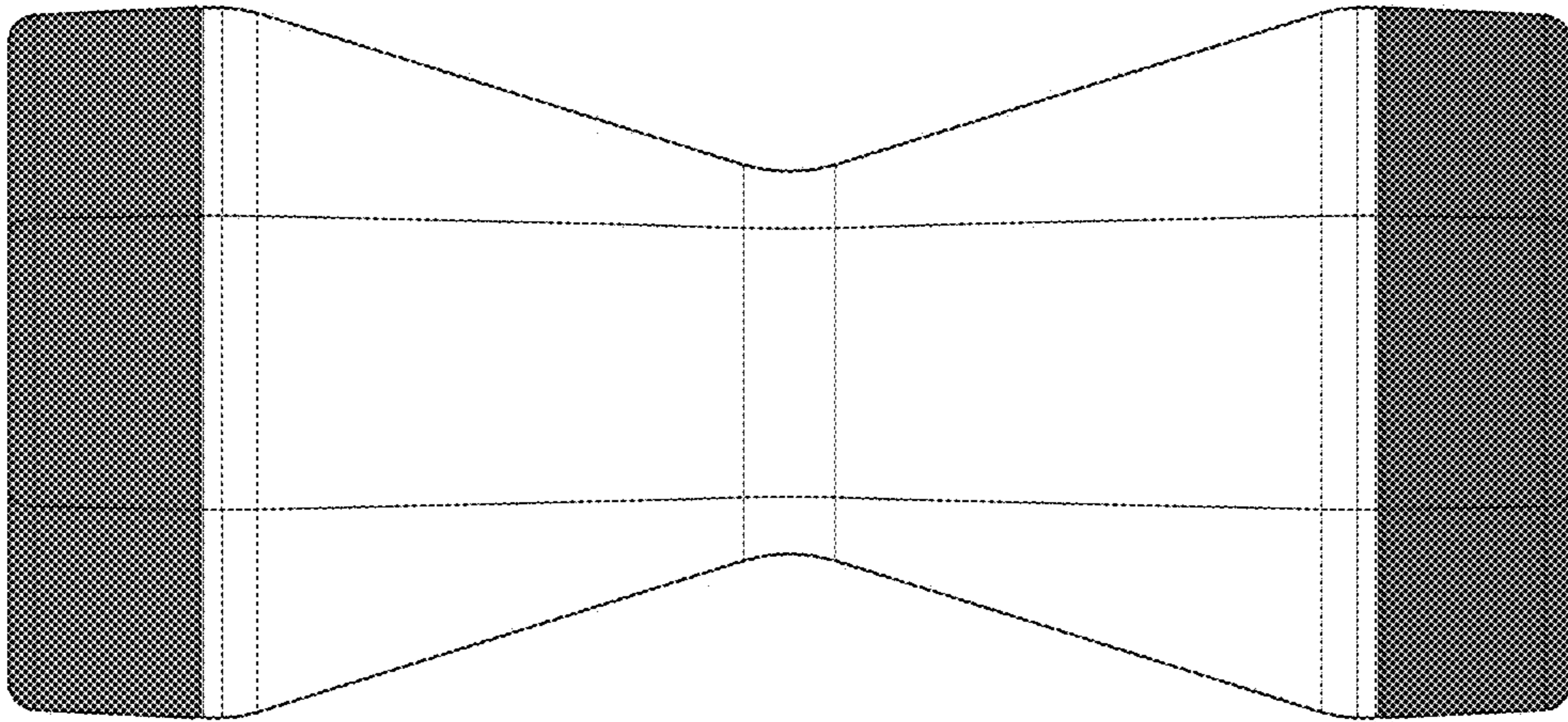


FIG. 12

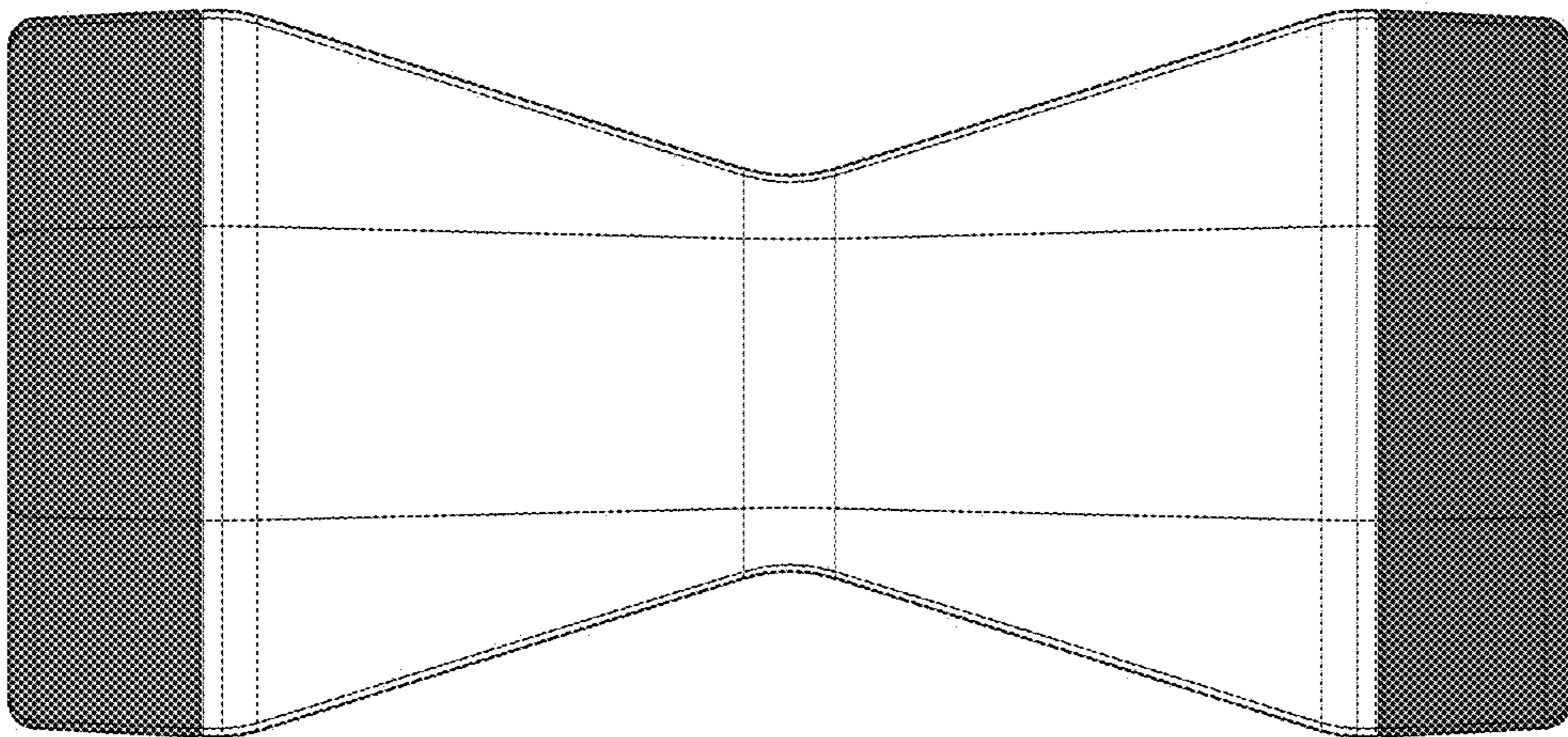


FIG. 11

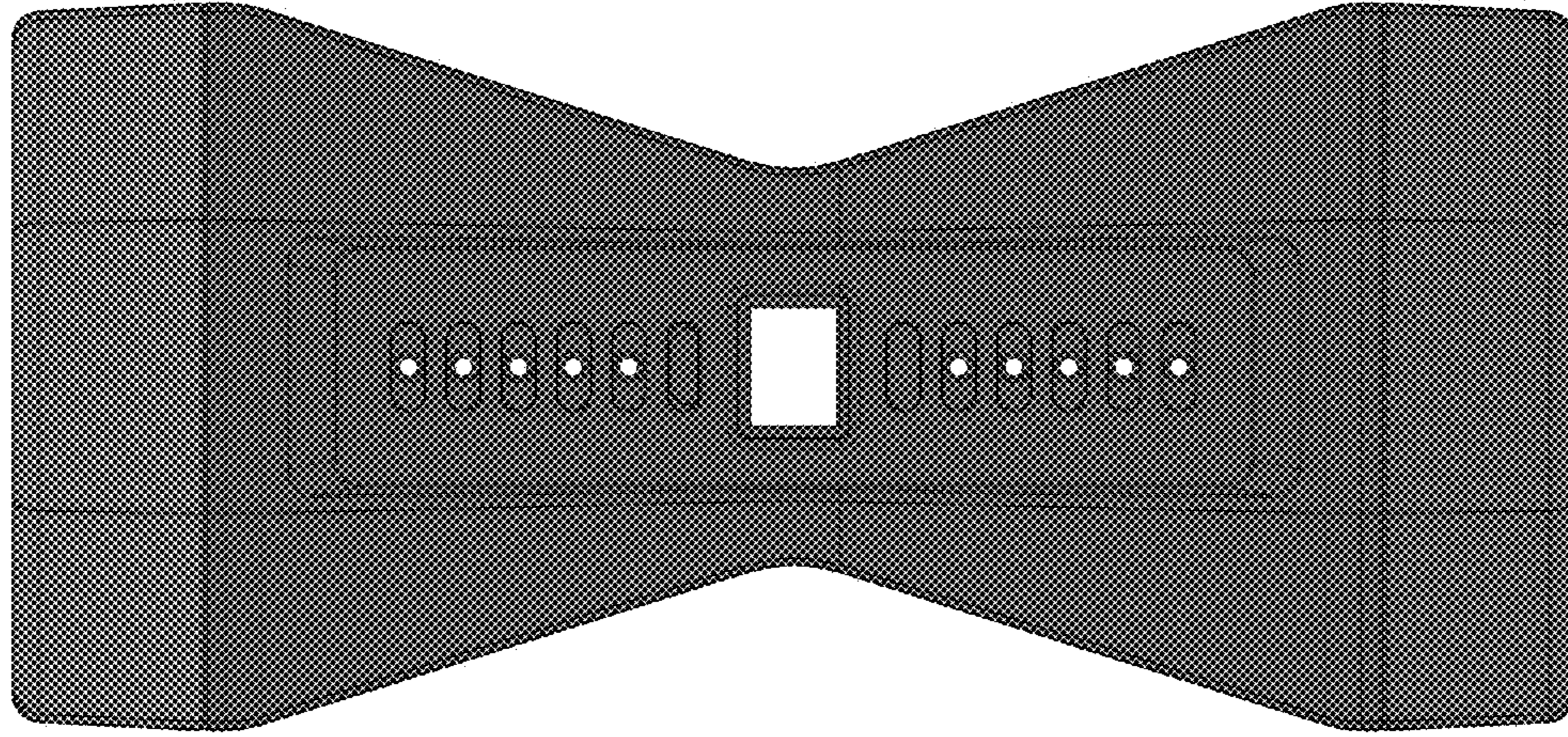


FIG. 17

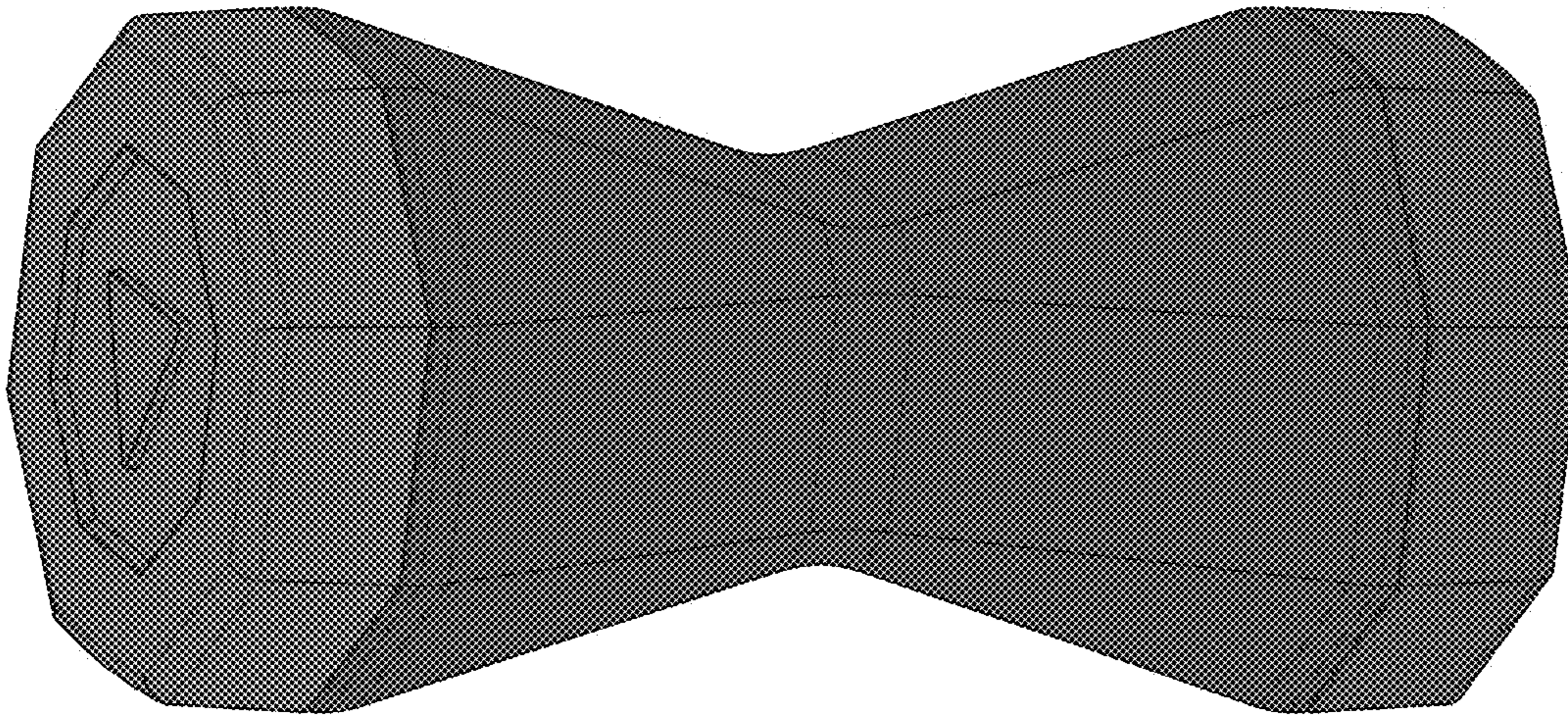


FIG. 16

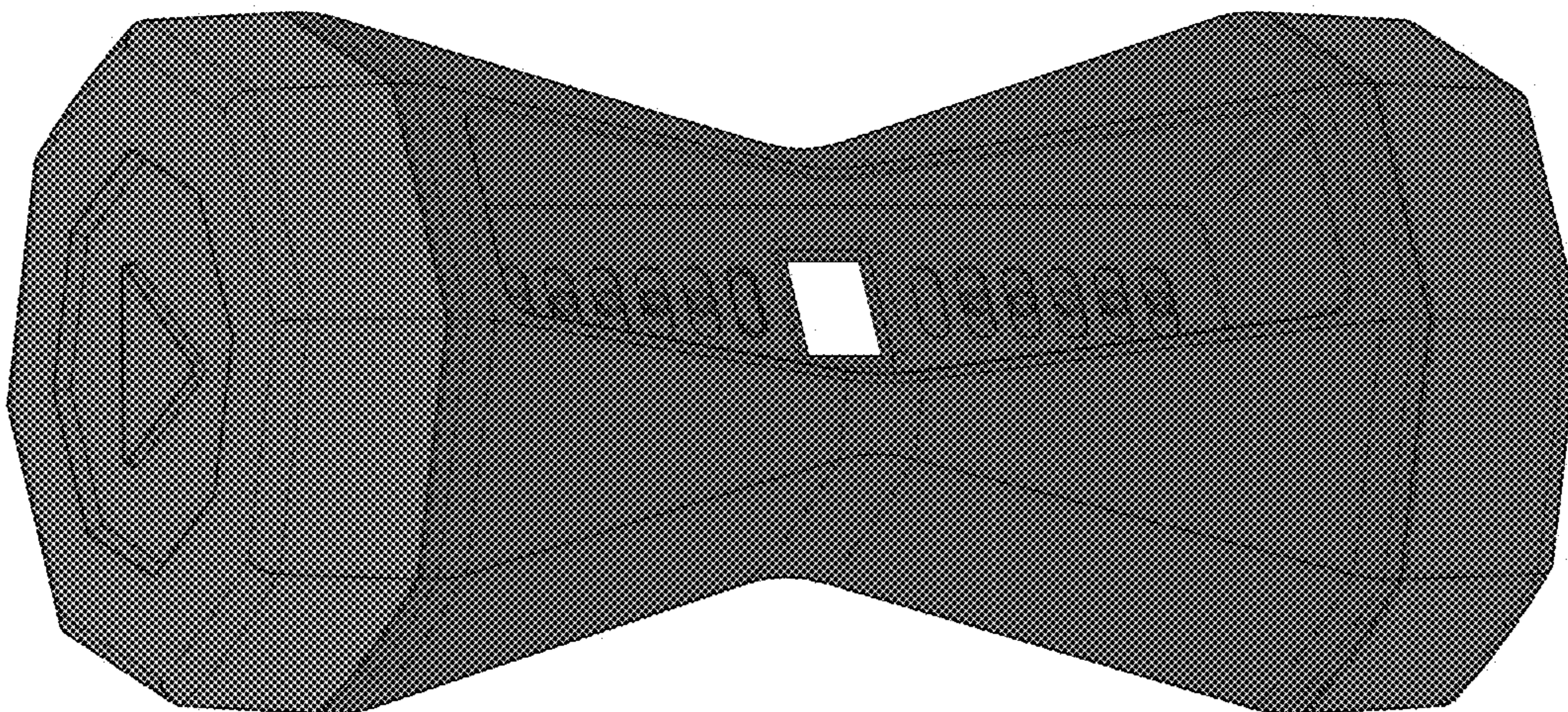


FIG. 15

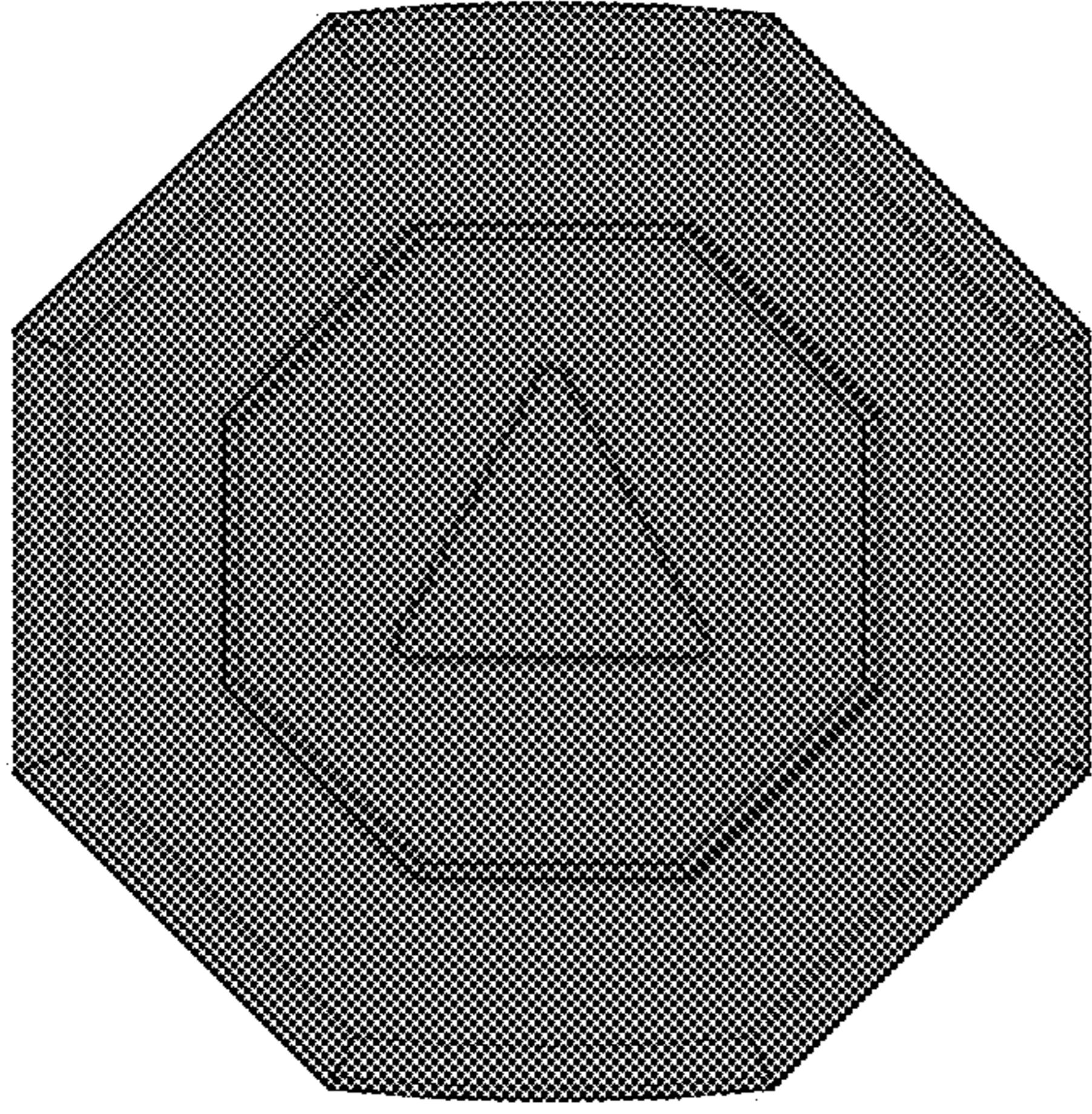


FIG. 20

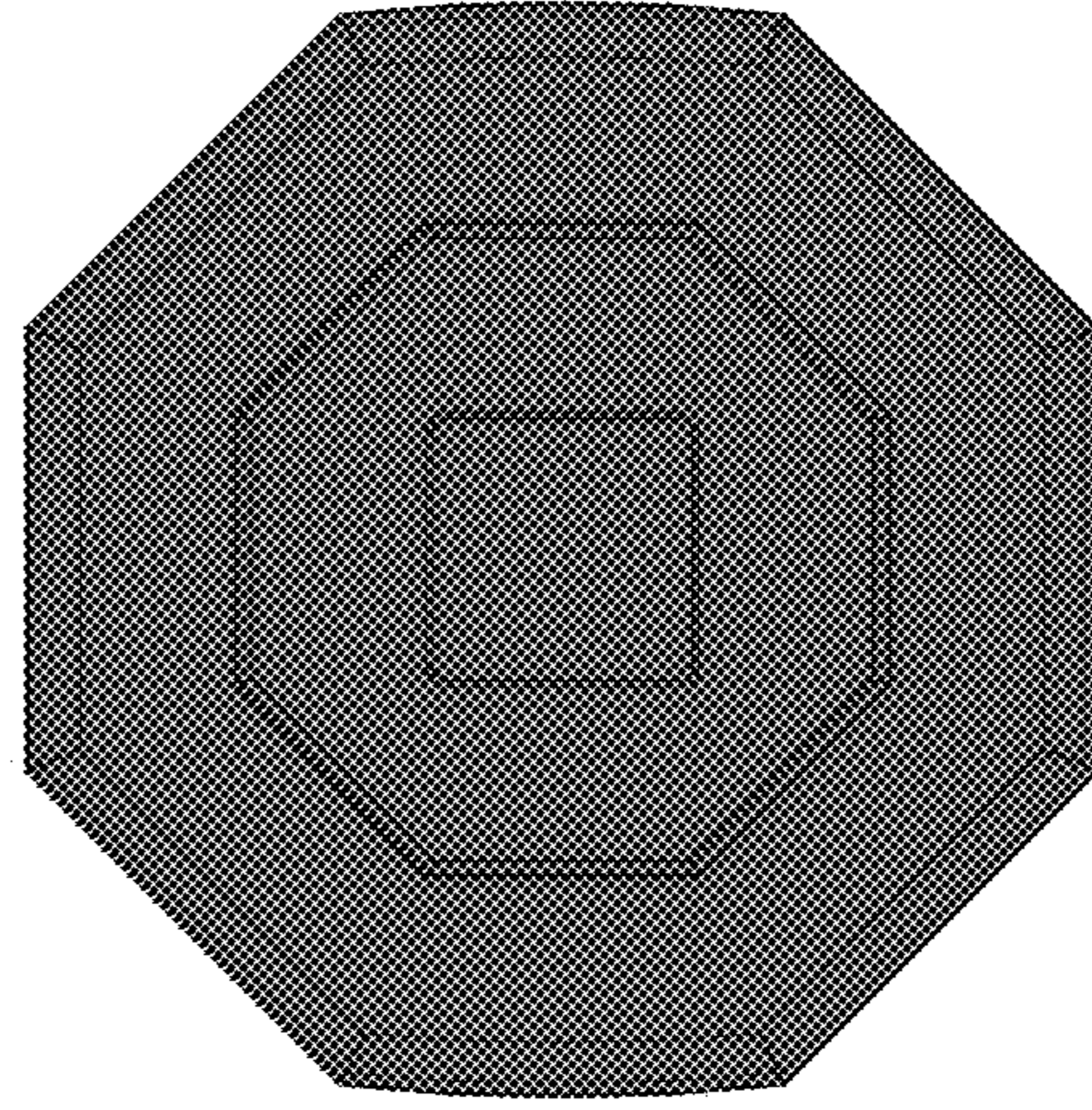


FIG. 21

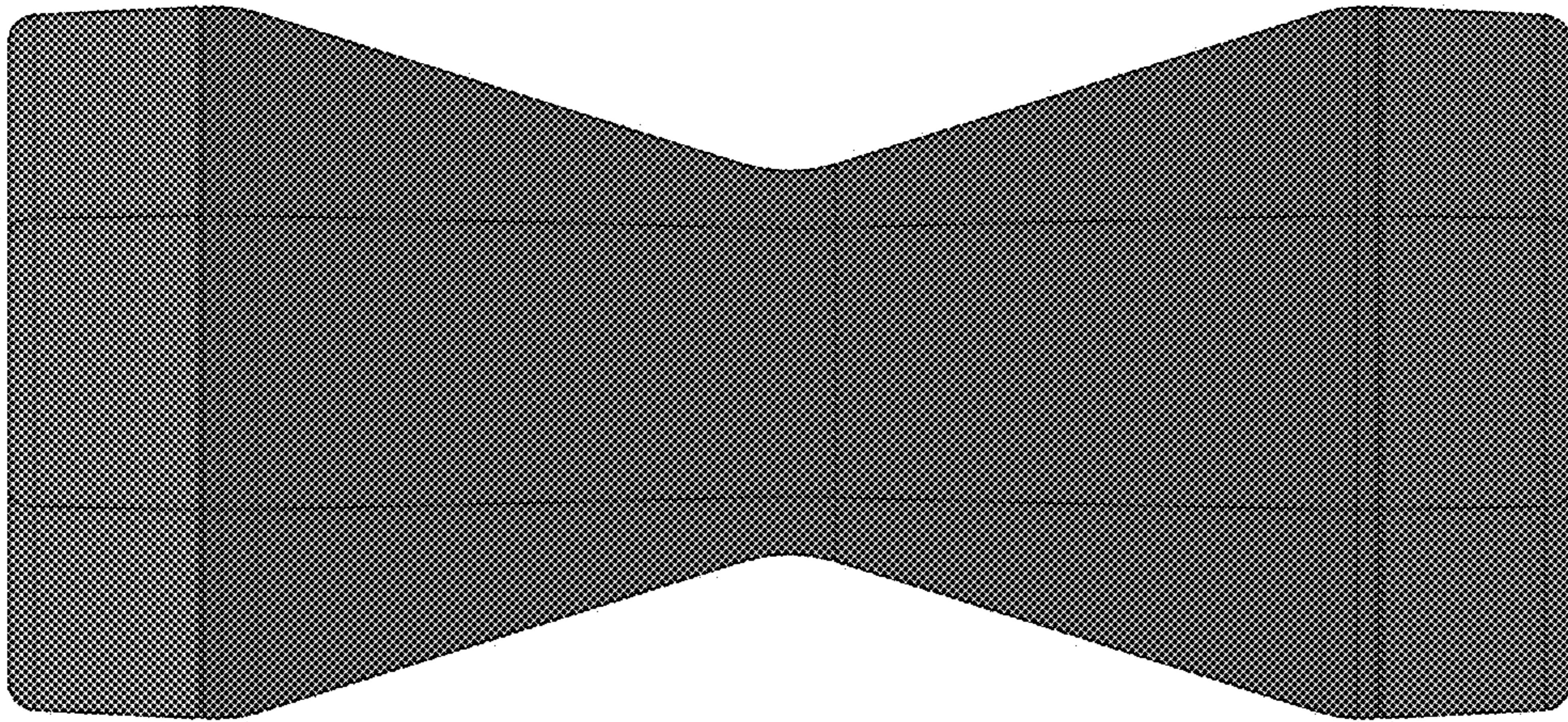


FIG. 19

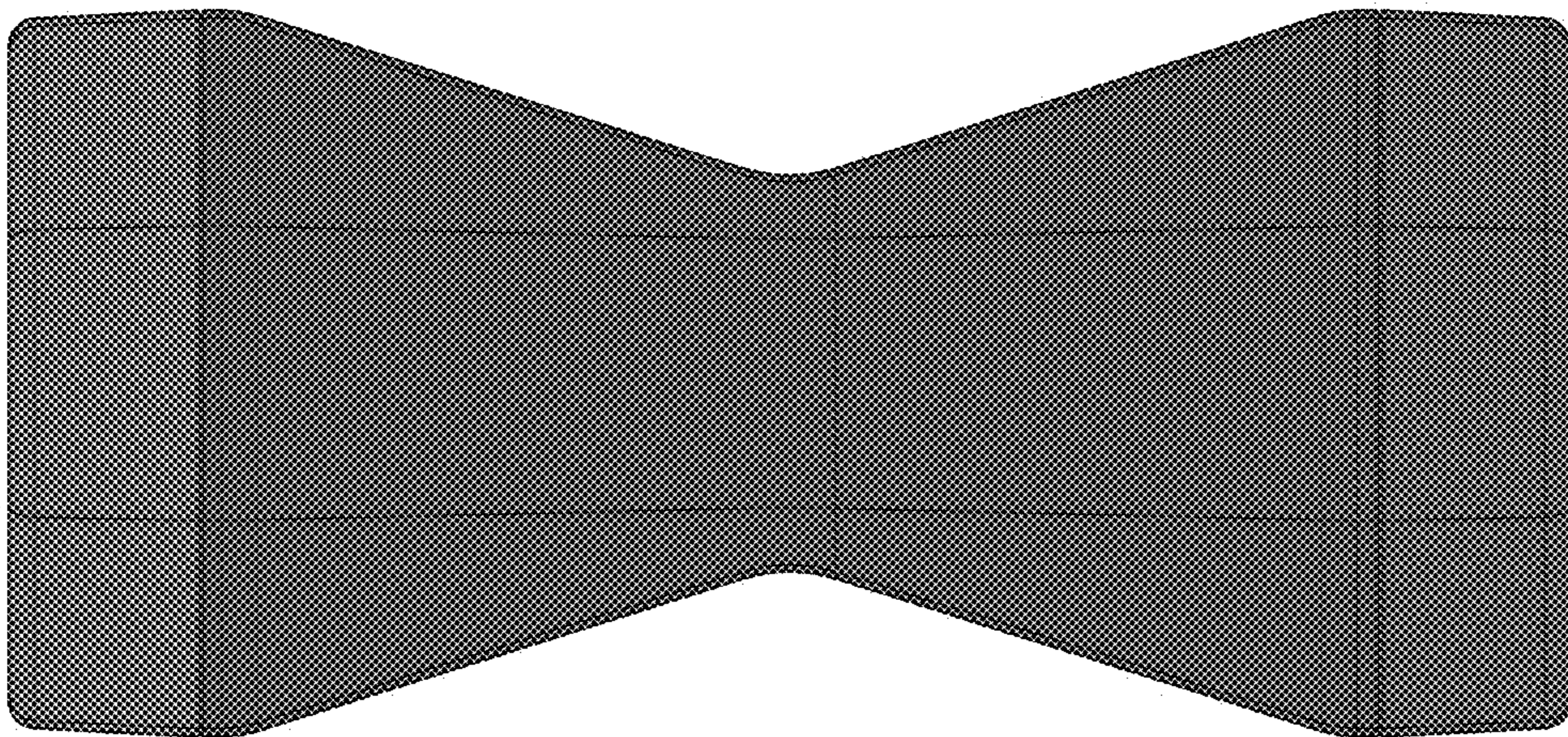


FIG. 18