



US00D887864S

(12) **United States Design Patent**  
**Perrenoud**

(10) **Patent No.:** **US D887,864 S**  
(45) **Date of Patent:** **\*\* Jun. 23, 2020**

(54) **WATCH**

(71) Applicant: **Sowind SA**, La Chaux-de-Fonds (CH)

(72) Inventor: **Xavier Perrenoud**, La Chaux-de-Fonds (CH)

(73) Assignee: **Sowind SA**, La Chaux-de-Fonds (CH)

(\*\*) Term: **15 Years**

(21) Appl. No.: **29/640,129**

(22) Filed: **Mar. 12, 2018**

(30) **Foreign Application Priority Data**

Sep. 14, 2017 (CH) ..... 143456

(51) **LOC (12) Cl.** ..... **10-02**

(52) **U.S. Cl.**  
USPC ..... **D10/39**

(58) **Field of Classification Search**

USPC ..... D10/1-2, 6, 14-15, 30-39, 40-41, 98,  
D10/102, 121-126, 128-129; D11/3-5,  
D11/12, 18-19, 23, 93; D14/344  
CPC .. A44C 5/02; G04B 17/28-285; G04B 19/00;  
G04B 19/048; G04B 19/06; G04B  
19/065; G04B 19/08; G04B 19/085;  
G04B 19/087; G04B 19/10; G04B  
19/103; G04B 19/106; G04B 19/12;  
G04B 19/16; G04B 19/22; G04B 19/223;  
G04B 19/24; G04B 19/243; G04B 29/00;  
G04B 37/00; G04B 37/008; G04B  
37/0058; G04B 37/12; G04B 37/14;  
G04B 37/1486; G04B 45/0069; G04B  
45/0076; G04B 47/00; G04B 47/048

See application file for complete search history.

(56) **References Cited**

**U.S. PATENT DOCUMENTS**

D246,577 S \* 12/1977 Inaba ..... D10/30  
D340,872 S \* 11/1993 Schwarz ..... D10/126

D368,229 S \* 3/1996 Crocco ..... D10/30  
D368,433 S \* 4/1996 Schulze ..... D10/30  
D430,809 S \* 9/2000 Polenberg ..... D10/30  
D493,730 S \* 8/2004 Monachon ..... D10/32  
D521,395 S \* 5/2006 Slimane ..... D10/32  
D543,872 S \* 6/2007 Garcia ..... D10/38  
D545,910 S \* 7/2007 Peraldi ..... D10/32  
D574,732 S \* 8/2008 Wunderman ..... D10/32  
D576,055 S \* 9/2008 Vaptzarof ..... D10/39

(Continued)

**OTHER PUBLICATIONS**

Girard-Perregaux Laureato Collection 2017 | posted at hodinkee.com [online]. © 2009-2019, Hodinkee Inc.[retrieved Mar. 6, 2019] from Internet: <<https://www.hodinkee.com/articles/girard-perregaux-laureato-collection-2017-introducing>> (Year: 2017).\*

(Continued)

*Primary Examiner* — Sandra S Snapp  
*Assistant Examiner* — Katherine Glennon  
(74) *Attorney, Agent, or Firm* — Sughrue Mion, PLLC

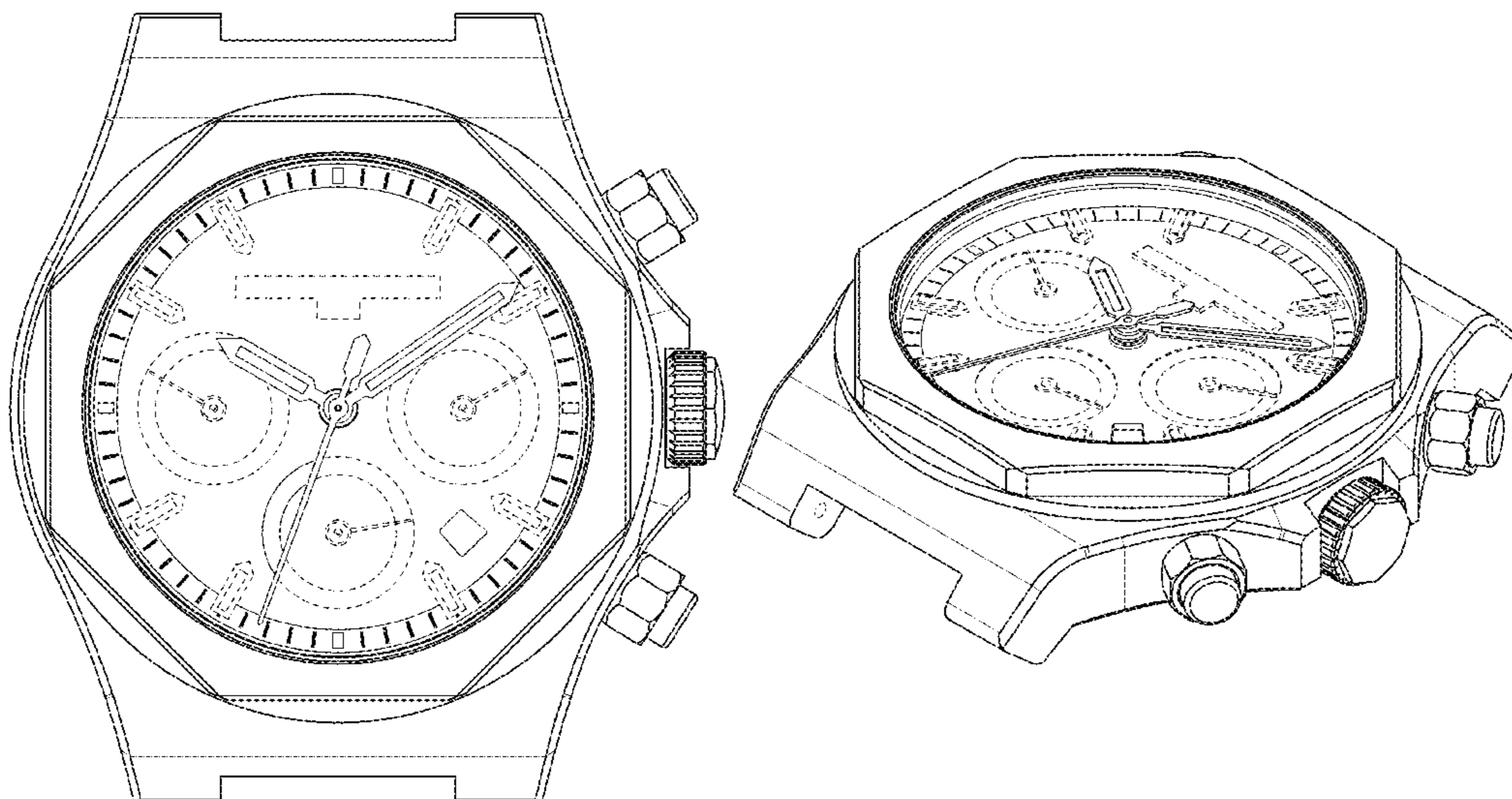
(57) **CLAIM**

The ornamental design for a watch, as shown and described.

**DESCRIPTION**

FIG. 1 is a front view of a watch showing my design;  
FIG. 2 is a perspective view thereof;  
FIG. 3 is a right side view thereof;  
FIG. 4 is a left side view thereof;  
FIG. 5 is a rear view thereof;  
FIG. 6 is a rear perspective view thereof; and,  
FIG. 7 is a bottom view thereof.  
The portions depicted by broken lines are shown for illustrative purposes only and form no part of the claimed design.

**1 Claim, 7 Drawing Sheets**



(56)

**References Cited**

U.S. PATENT DOCUMENTS

8,004,936 B2 *	8/2011	Ruchonnet .....	G04B 19/02 368/233
D649,482 S *	11/2011	Vaptzarof .....	D10/39
D653,128 S *	1/2012	Vaptzarof .....	D10/39
D668,557 S *	10/2012	Goto .....	D10/32
D684,486 S *	6/2013	Messmer .....	D10/39
D695,637 S *	12/2013	Jacquerye .....	D10/39
D705,084 S *	5/2014	Emmenegger .....	D10/32
D705,671 S *	5/2014	Mijatovic .....	D10/32
D706,650 S *	6/2014	Emch .....	D10/39
D736,654 S *	8/2015	Monachon .....	D10/126
D792,247 S *	7/2017	Davoli .....	D10/30
D820,693 S *	6/2018	Hoi .....	D10/39
D832,720 S *	11/2018	Macaluso .....	D10/39

OTHER PUBLICATIONS

Girard-Perregaux Laureato Absolute Collection | masterhorologer.com Jan. 2019 [online]. © [retrieved Mar. 6, 2019] from Internet: <<https://masterhorologer.com/2019/01/16/girard-perregaux-laureato-absolute-collection-laureato-absolute-laureato-absolute-chronograph-and-laureato-absolute-ww-tc/>> (Year: 2019).\*

\* cited by examiner

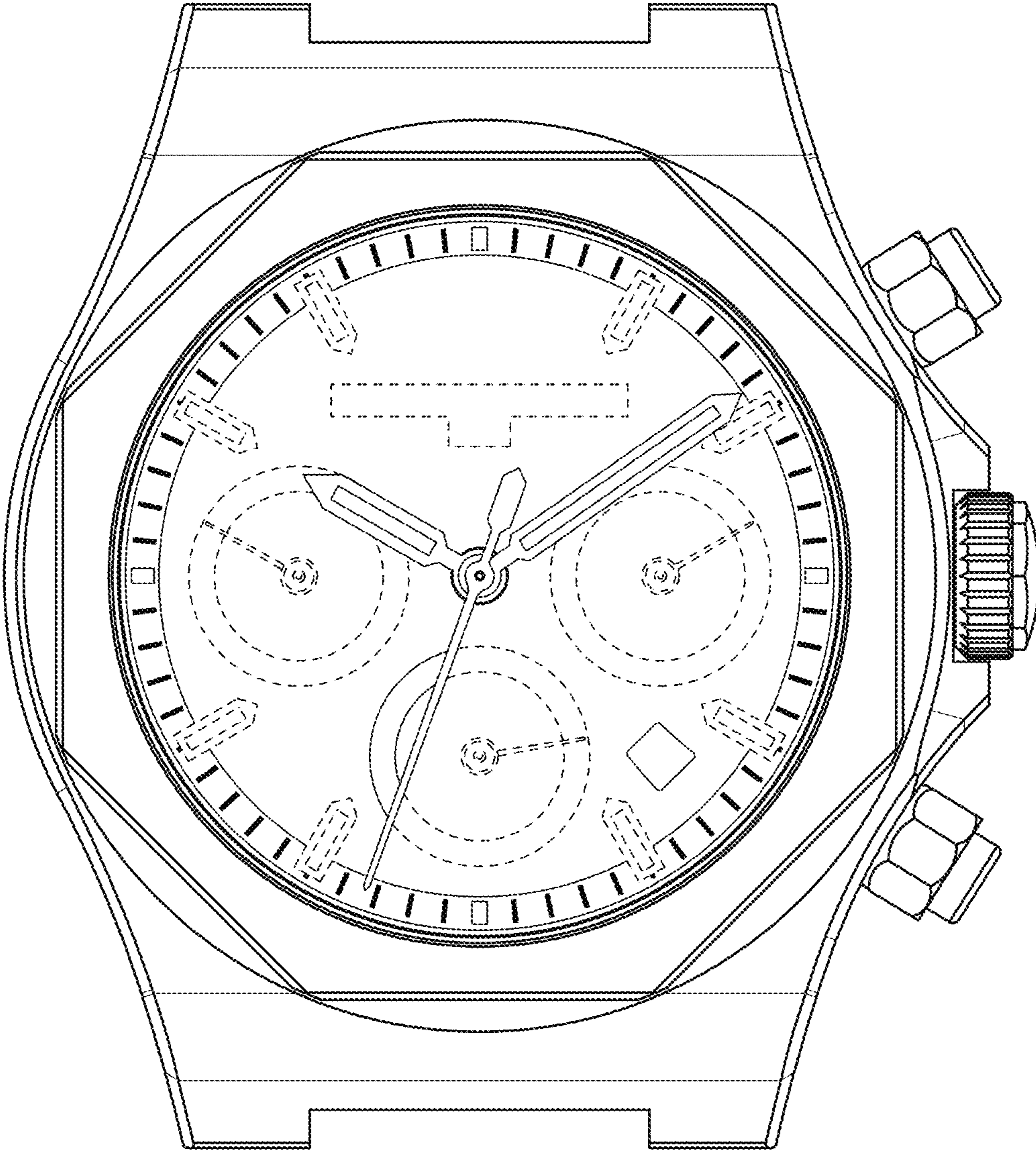


FIG. 1

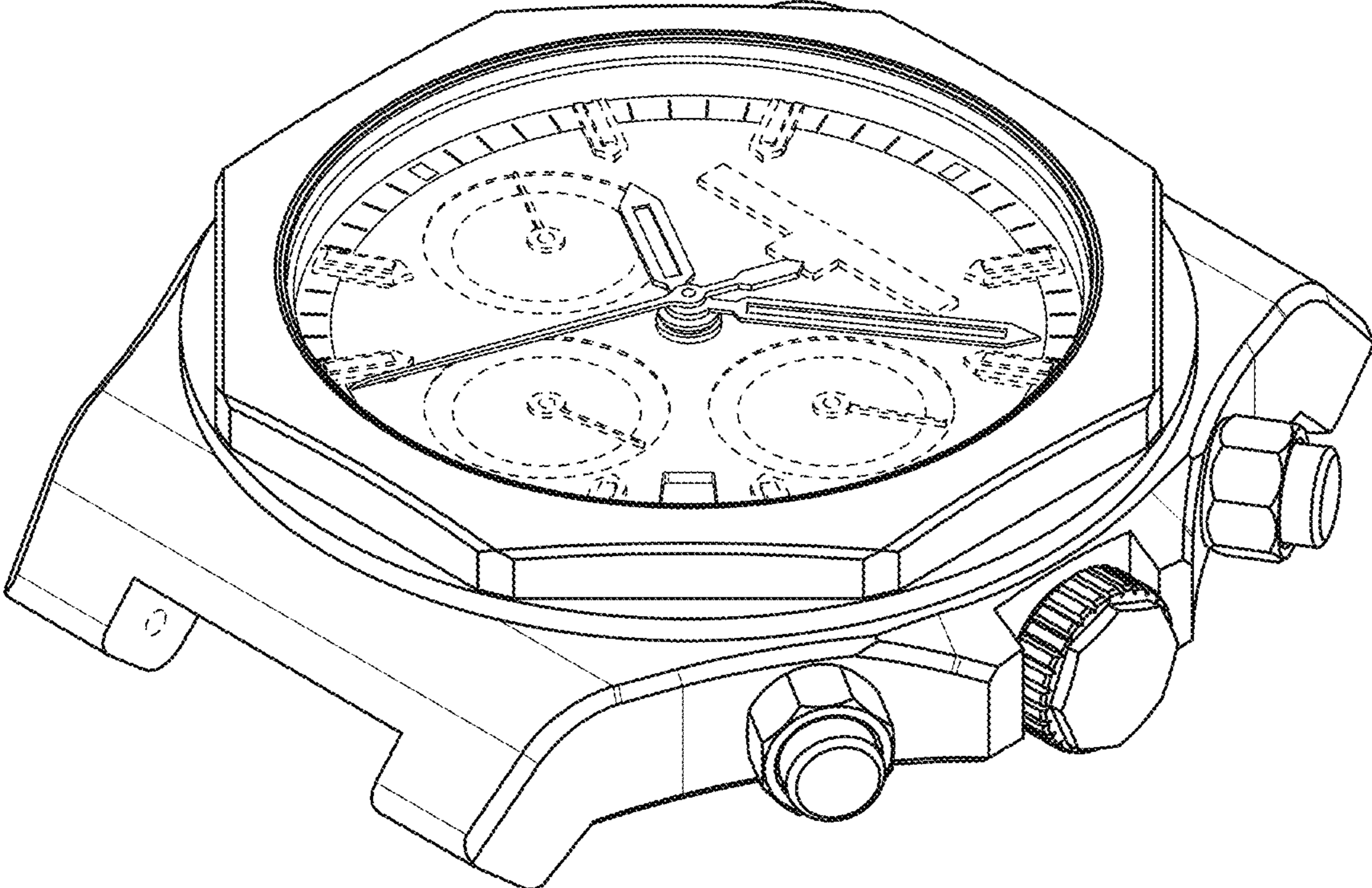


FIG. 2

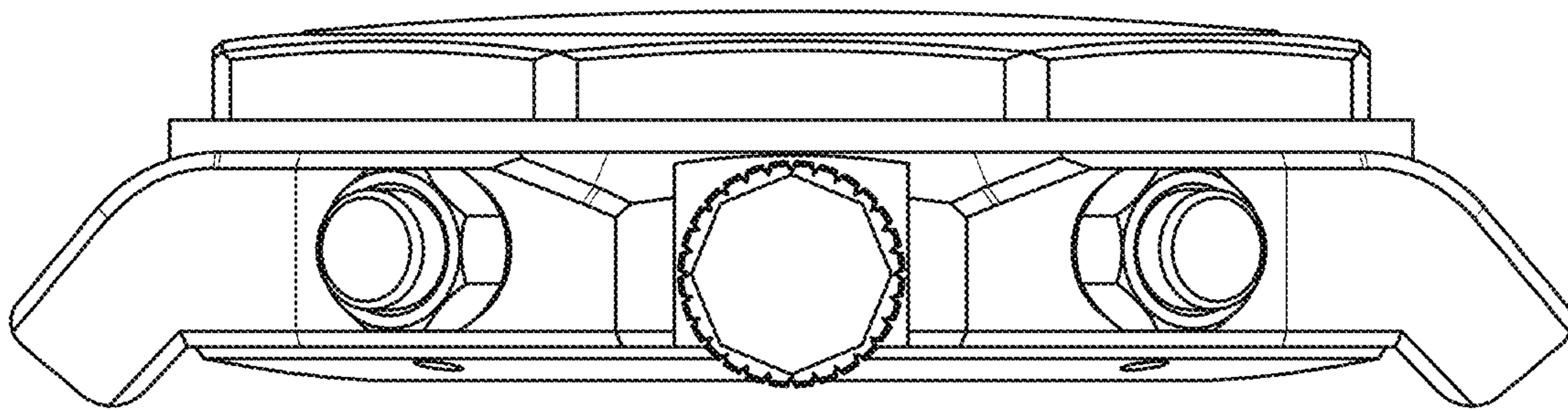


FIG. 3

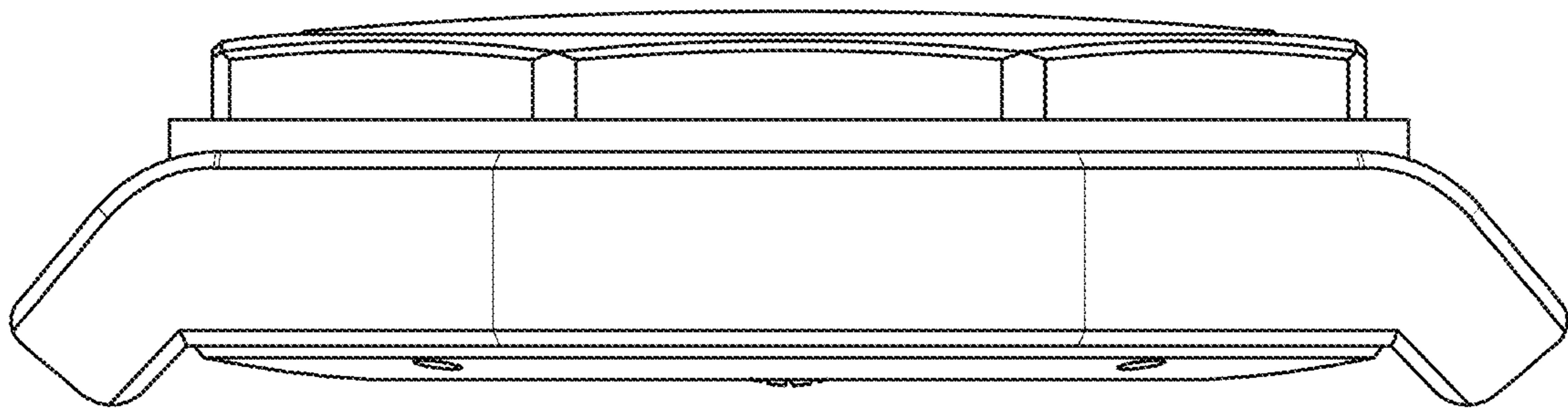


FIG. 4

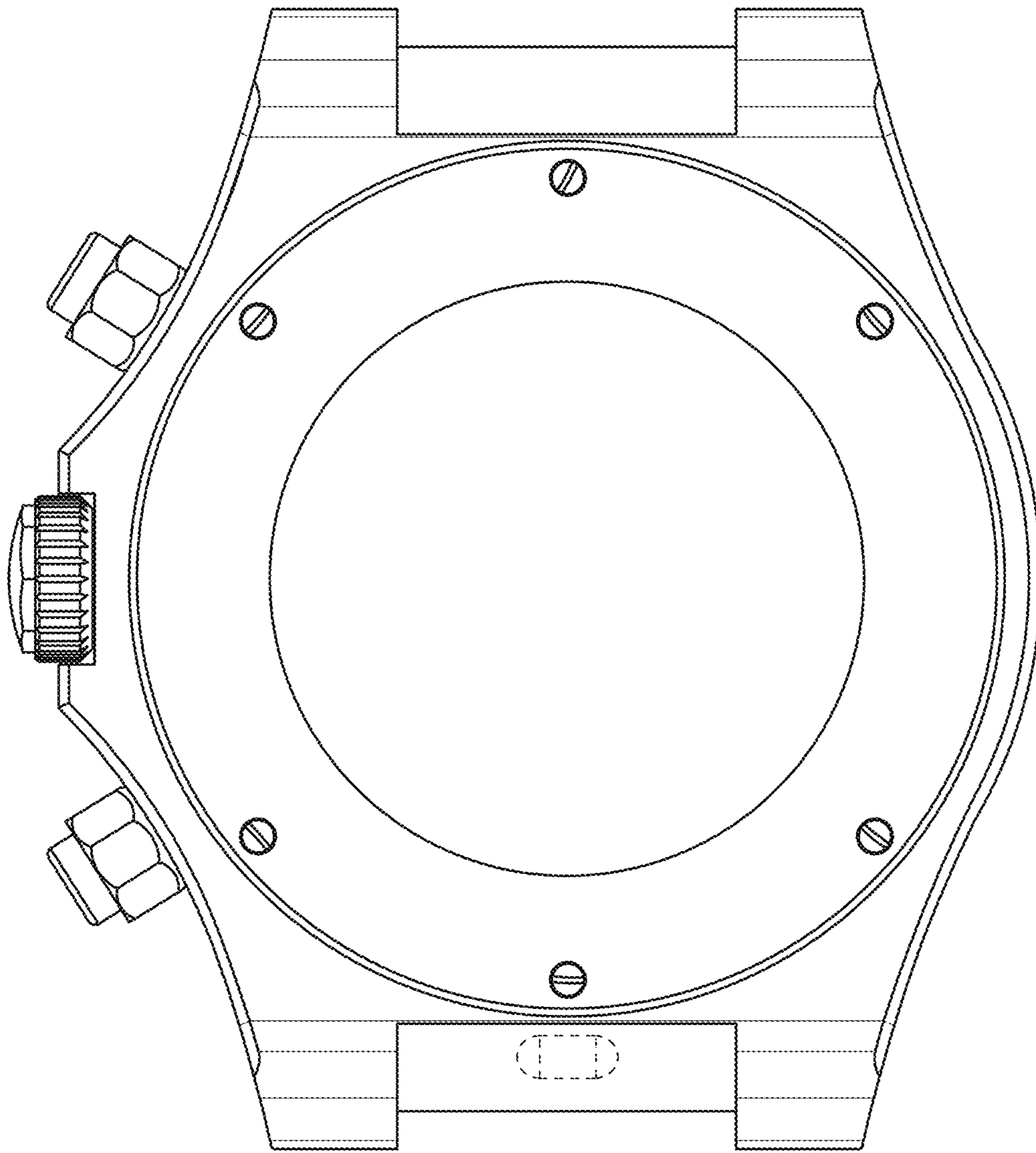


FIG. 5

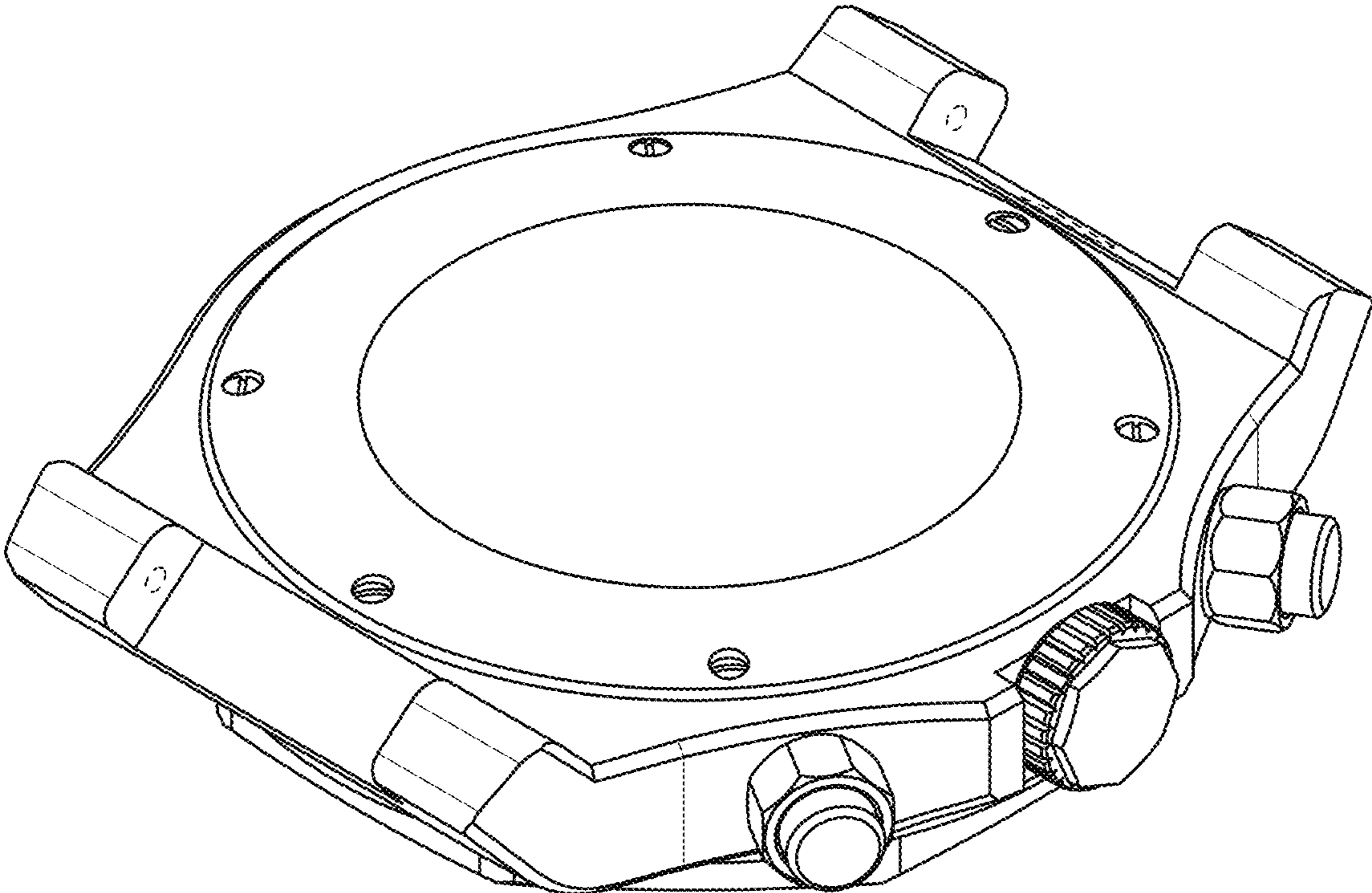


FIG. 6



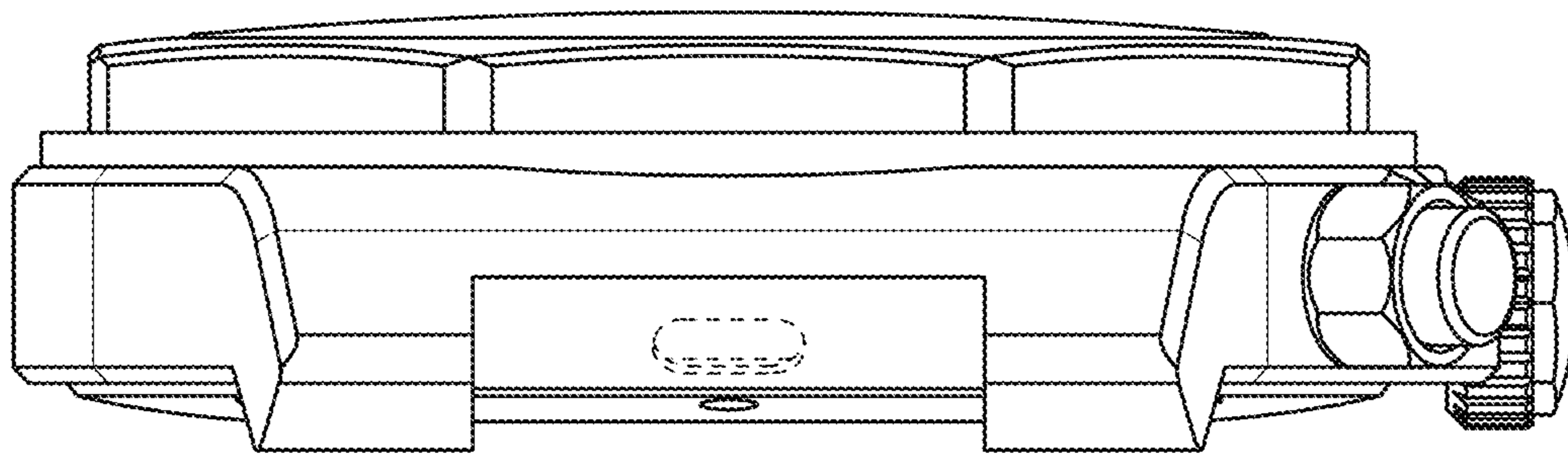


FIG. 7