



US00D887862S

(12) **United States Design Patent**
Rigoulet

(10) **Patent No.:** **US D887,862 S**

(45) **Date of Patent:** **** Jun. 23, 2020**

(54) **WATCH CASE**

(71) Applicant: **Cartier International AG**, Steinhausen (CH)

(72) Inventor: **William Rigoulet**, Paris (FR)

(73) Assignee: **Cartier International AG**, Steinhausen (CH)

(**) Term: **15 Years**

(21) Appl. No.: **29/649,290**

(22) Filed: **May 29, 2018**

(30) **Foreign Application Priority Data**

Nov. 30, 2017 (WO) DM/099082

(51) **LOC (12) Cl.** **10-02**

(52) **U.S. Cl.**
USPC **D10/30; D10/34**

(58) **Field of Classification Search**
USPC D10/1-3, 30-39, 122-129, 131-132;
D8/330-331, 333-335
See application file for complete search history.

(56) **References Cited**

U.S. PATENT DOCUMENTS

D318,417 S *	7/1991	Savage	D9/607
D401,161 S *	11/1998	Perrin	D10/34
D536,633 S *	2/2007	Arlanda	D11/30
D612,282 S *	3/2010	Iacomucci	D11/4
D612,284 S *	3/2010	Iacomucci	D11/31
D642,074 S *	7/2011	Chastaingt	D10/32
D642,076 S *	7/2011	Chastaingt	D10/39
D685,656 S *	7/2013	Chastaingt	D10/34
D687,722 S *	8/2013	Chastaingt	D10/34
D692,343 S *	10/2013	Hardy	D11/82
D753,511 S *	4/2016	Rigoulet	D10/34
D758,892 S *	6/2016	Rabassa	D10/34

D787,360 S *	5/2017	Le Bail	D11/11
D789,684 S *	6/2017	Michele	D3/232
D791,619 S *	7/2017	Rabassa	D10/30
D792,787 S *	7/2017	Rabassa	D10/30
D798,046 S *	9/2017	Michele	D3/232
D809,415 S *	2/2018	Fillon	D11/26
D811,921 S *	3/2018	Rabassa	D10/132
D812,511 S *	3/2018	Sallard	D11/42
D813,080 S *	3/2018	Sallard	D11/42

(Continued)

OTHER PUBLICATIONS

Cartier Bestiaire Panthere Lovee | posted at worldtempus.com; no date [online] © 2018 Worldtempus. [retrieved Mar. 4, 2019] from Internet: <<http://en.worldtempus.com/watches/panthere-lovee-watch-18158.html>> (Year: 2019).*

Primary Examiner — Sandra S Snapp

Assistant Examiner — Katherine Glennon

(74) *Attorney, Agent, or Firm* — Taft Stettinius & Hollister LLP

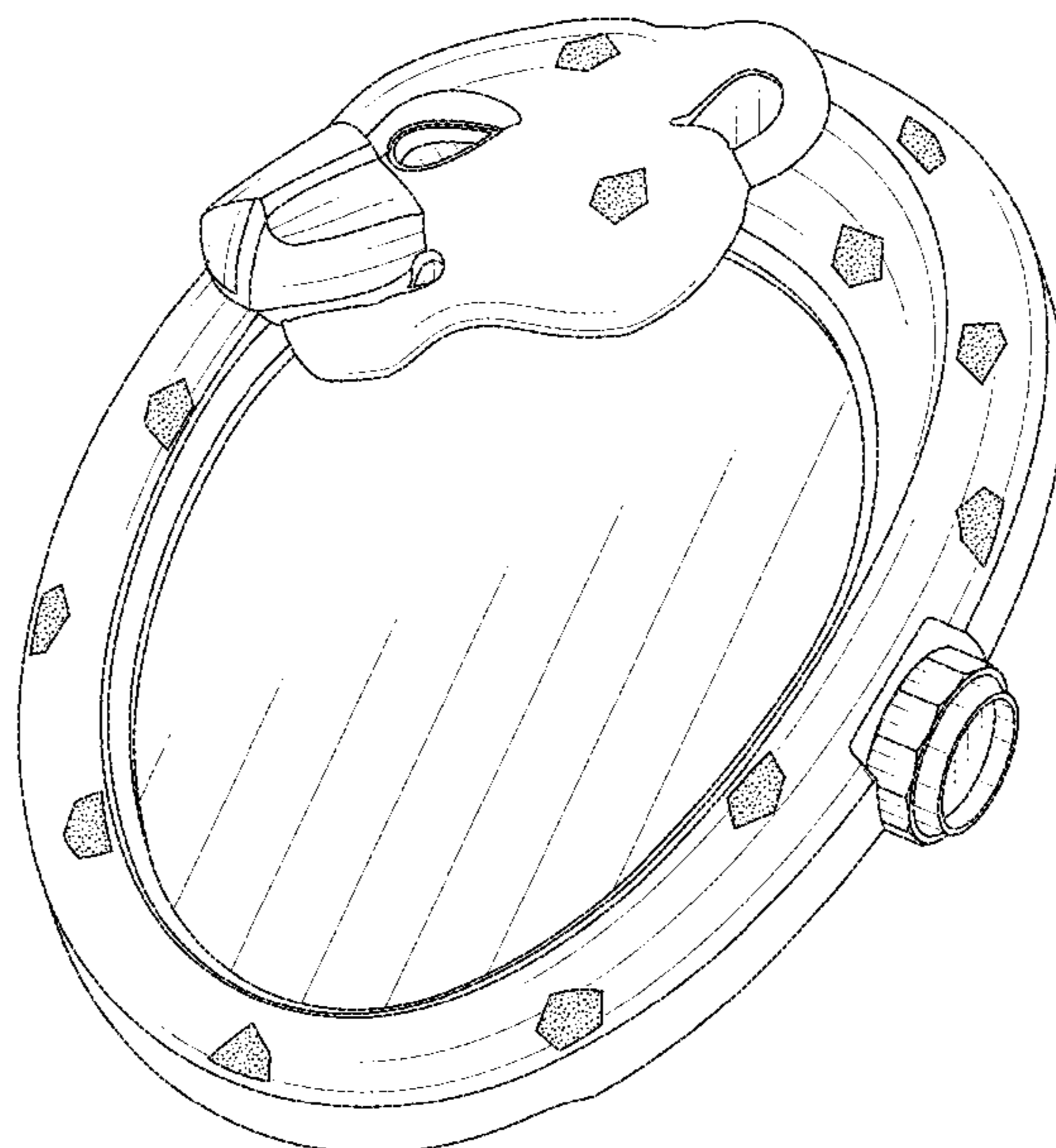
(57) **CLAIM**

The ornamental design for a watch case, as shown and described.

DESCRIPTION

FIG. 1 is a front elevational view of a WATCH CASE showing my new design;
FIG. 2 is a back elevational view thereof;
FIG. 3 is a right side elevational view thereof;
FIG. 4 is a left side elevational view thereof;
FIG. 5 is a bottom plan view thereof;
FIG. 6 is a top plan view thereof;
FIG. 7 is a front, right side perspective view thereof; and,
FIG. 8 is a back, left side perspective view thereof.
The broken lines in the drawing figures depict unclaimed subject matter that forms no part of the claimed design.

1 Claim, 8 Drawing Sheets



(56)

References Cited

U.S. PATENT DOCUMENTS

D813,704 S	*	3/2018	Sallard	D11/4
D826,772 S	*	8/2018	Yuson	D11/201
D828,204 S	*	9/2018	Rabassa	D10/126
D829,570 S	*	10/2018	Rabassa	D10/34
D834,438 S	*	11/2018	Rabassa	D10/126

* cited by examiner

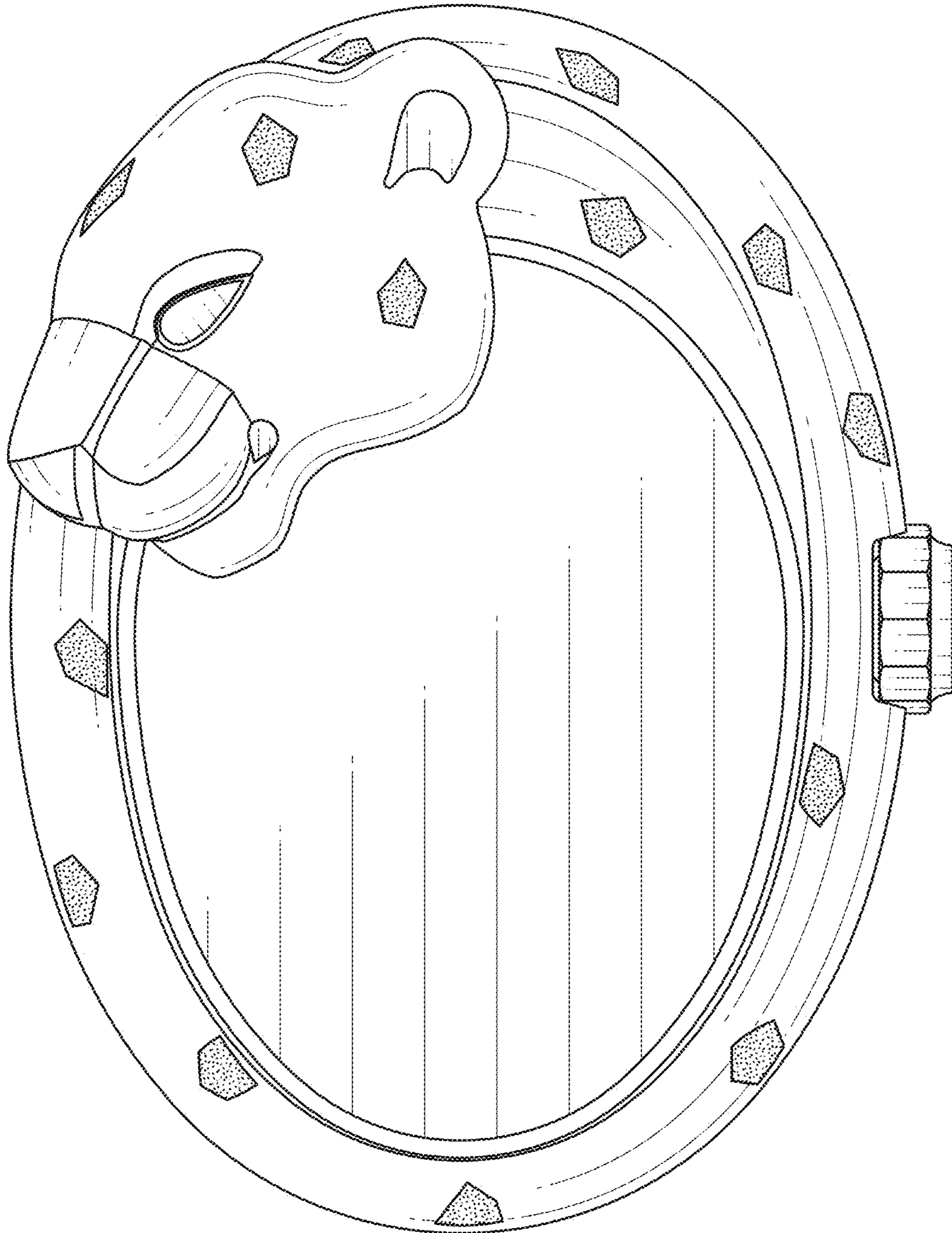


Fig. 1

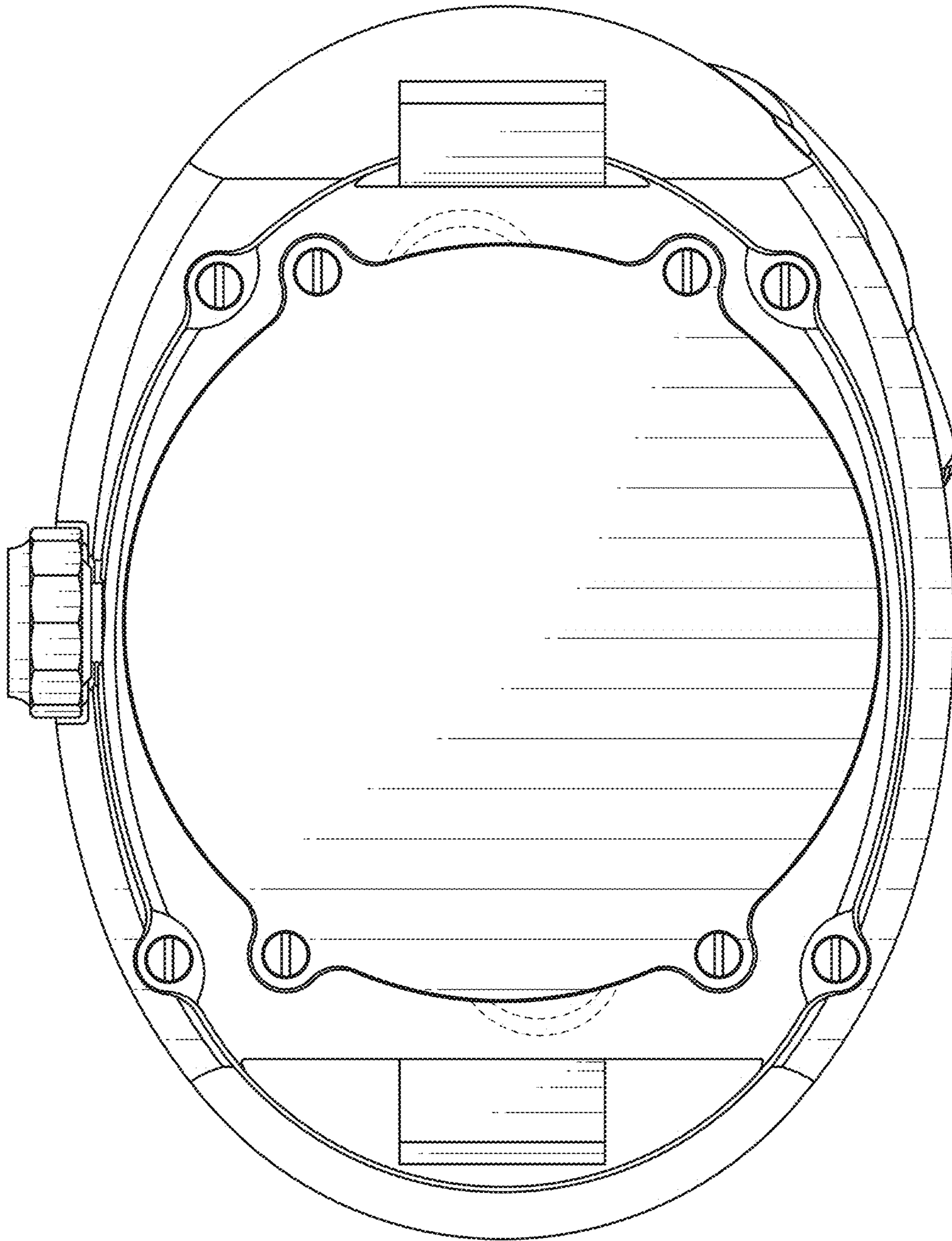


Fig. 2

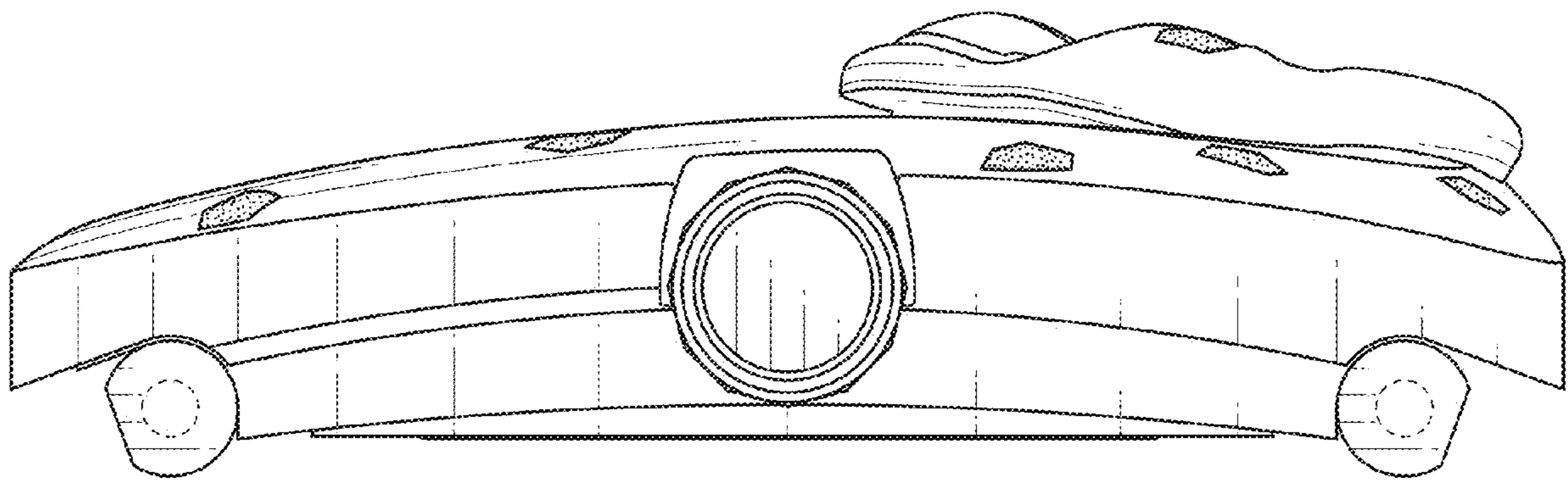


Fig. 3

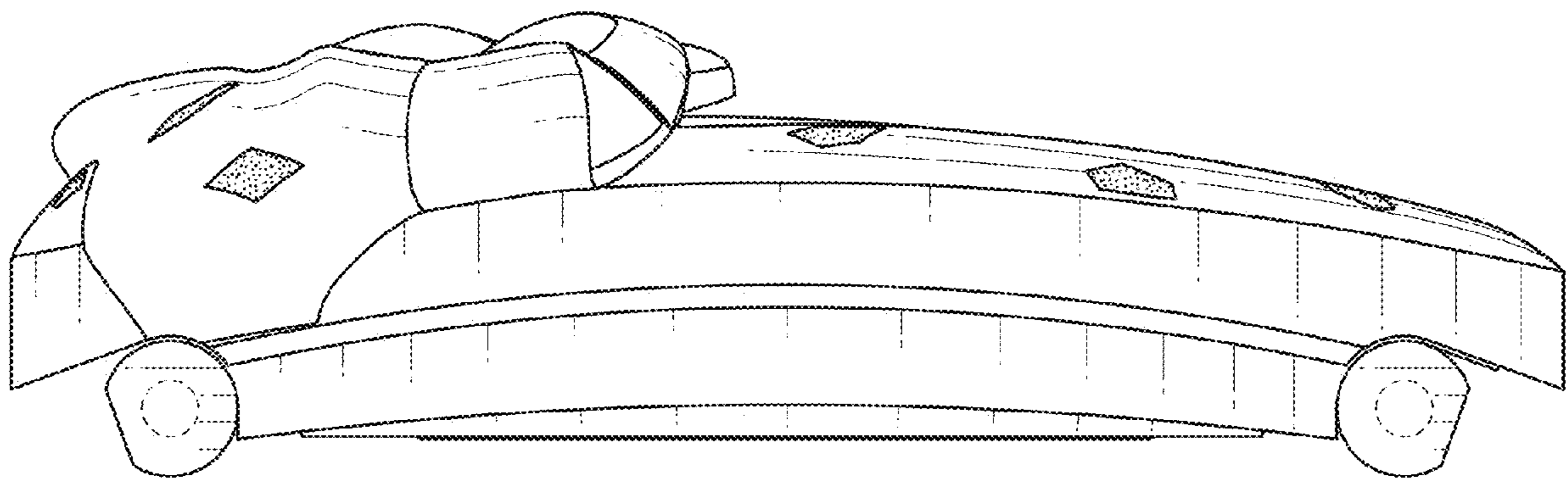


Fig. 4

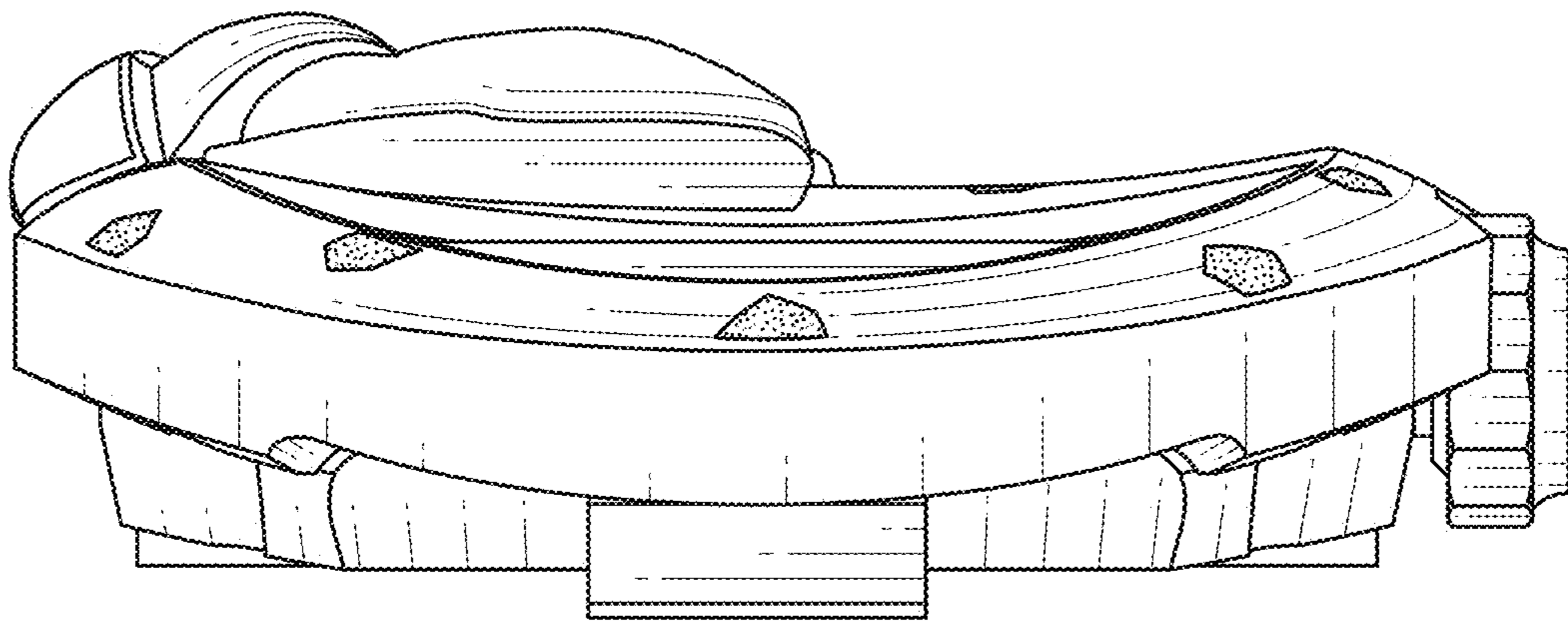


Fig. 5

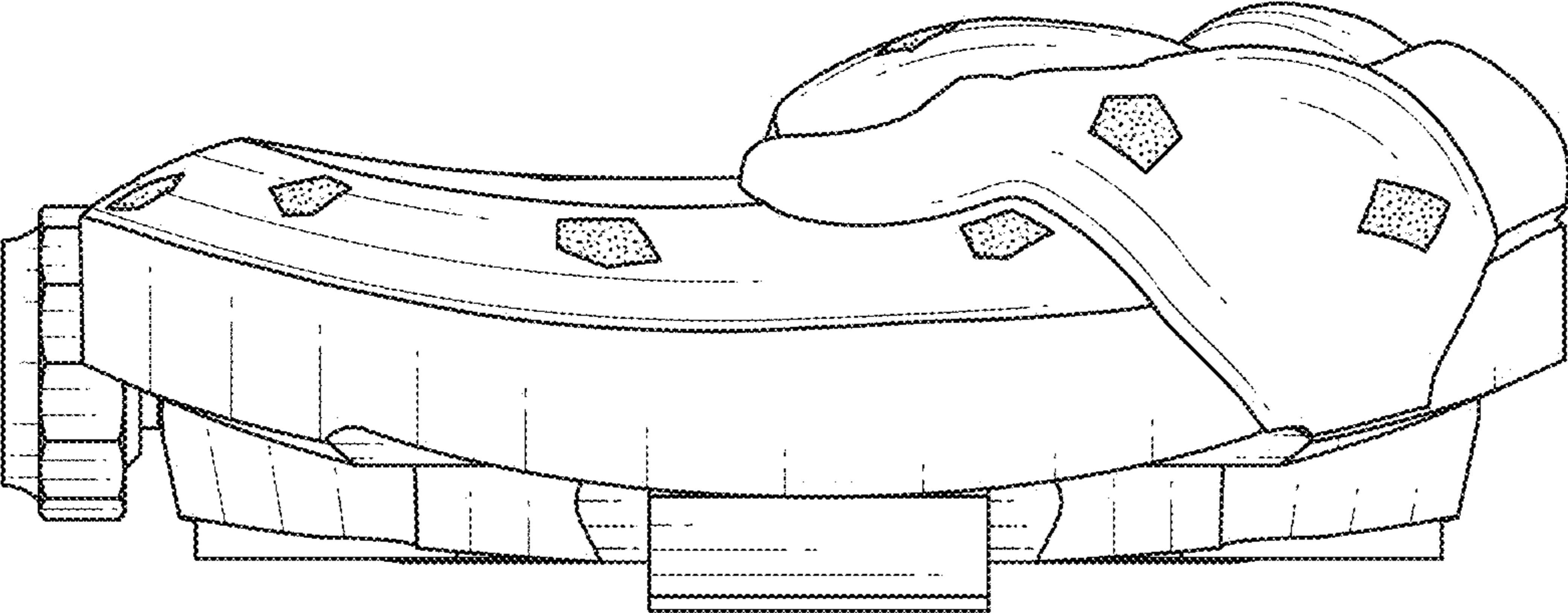


Fig. 6

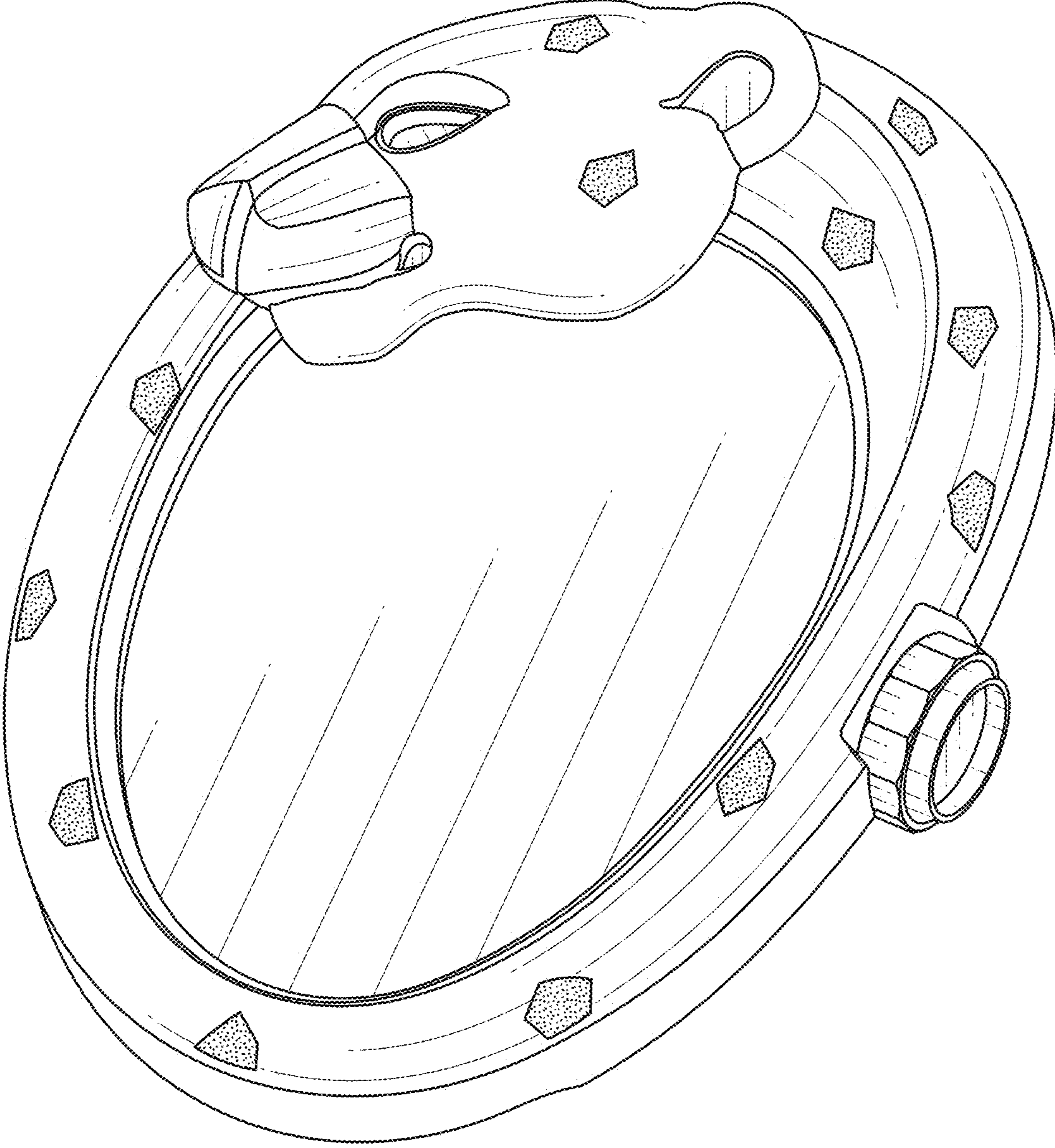


Fig. 7

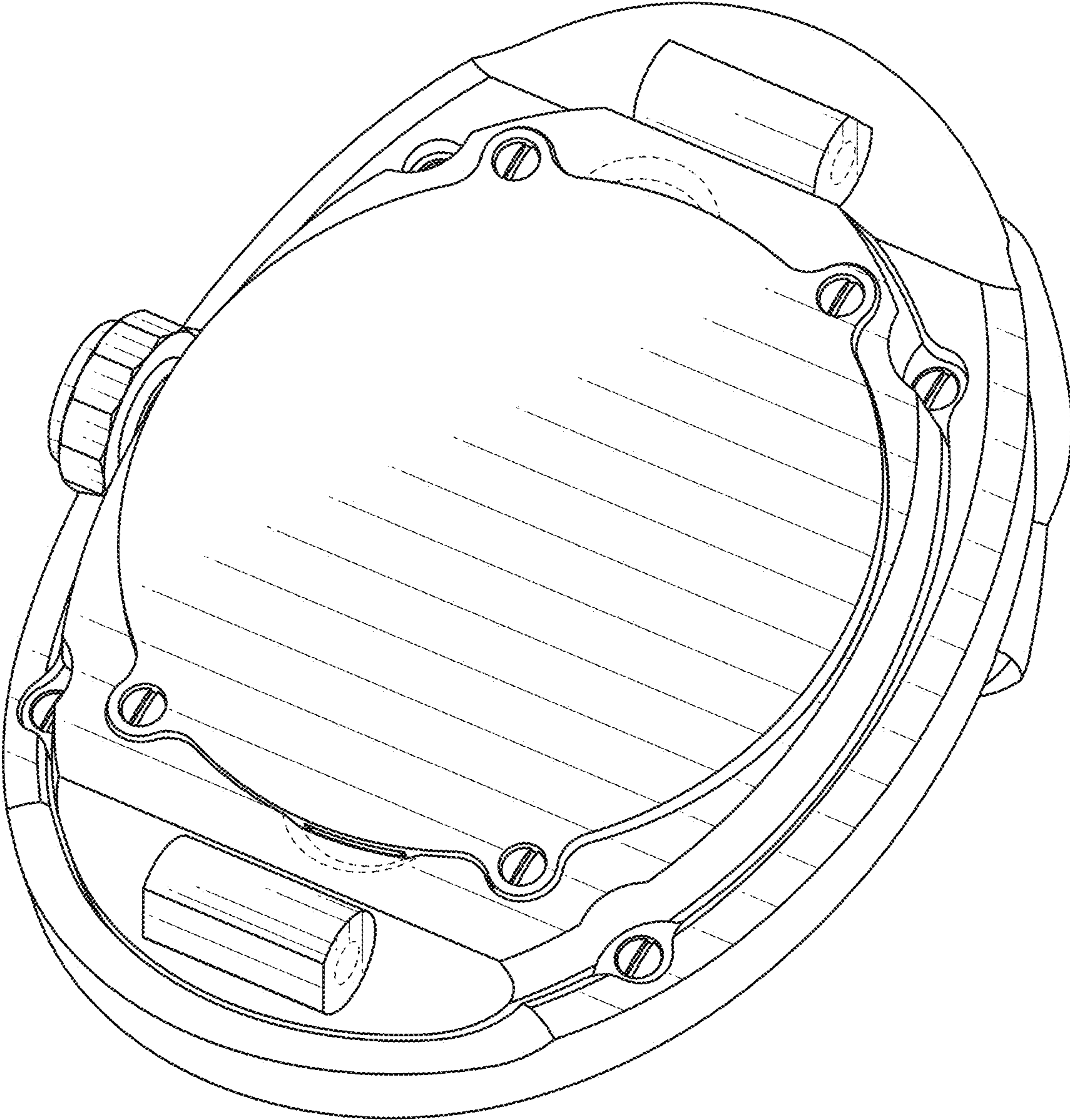


Fig. 8