



US00D887861S

(12) **United States Design Patent**
Sheishenov

(10) **Patent No.:** **US D887,861 S**
(45) **Date of Patent:** **** Jun. 23, 2020**

(54) **CONTAINER FOR BEVERAGES**

(71) Applicant: **Akylbek Zhumabaevich Zhumabaev,**
Bishkek (KG)

(72) Inventor: **Marsel Kylychbekovich Sheishenov,**
Bishkek (KG)

(**) Term: **15 Years**

(21) Appl. No.: **29/628,763**

(22) Filed: **Dec. 7, 2017**

(30) **Foreign Application Priority Data**

Aug. 31, 2017 (CN) 2017 3 0408150

(51) **LOC (12) Cl.** **09-01**

(52) **U.S. Cl.**
USPC **D9/776**

(58) **Field of Classification Search**

USPC D9/500, 502, 516, 530, 537, 539, 542,
D9/549, 763-783; D7/601, 602, 612,
D7/615, 630

CPC ... B65D 1/00; B65D 1/02; B65D 1/12; B65D
1/14; B65D 1/40; B65D 1/44; B65D
1/023; B65D 1/0223; B65D 1/165; B65D
1/238; B65D 1/246; B65D 1/253; B65D
7/04; B65D 21/0209; B65D 21/0233;
B65D 25/00; B65D 25/28; B65D
41/0457; B65D 41/17; B65D 53/06;
B65D 75/56; B65D 79/005; B65D
2501/0036; B65D 2543/00064; B65D
2543/00074; B65D 2543/00083; B65D
2543/00092; B65D 2543/00101; B65D
2543/00111

See application file for complete search history.

(56) **References Cited**

U.S. PATENT DOCUMENTS

D357,414 S *	4/1995	Kornick	D9/518
D536,264 S *	2/2007	Ioannides	D9/776
D549,596 S *	8/2007	Ioannides	D9/776
D681,480 S *	5/2013	Maxwell-Wood	D9/777
D684,869 S *	6/2013	Pellaud	D9/776
D713,268 S *	9/2014	Jones	D9/772
D766,112 S *	9/2016	Baker	D9/773

* cited by examiner

Primary Examiner — Keli L Hill

(74) *Attorney, Agent, or Firm* — Mayer Brown LLP

(57) **CLAIM**

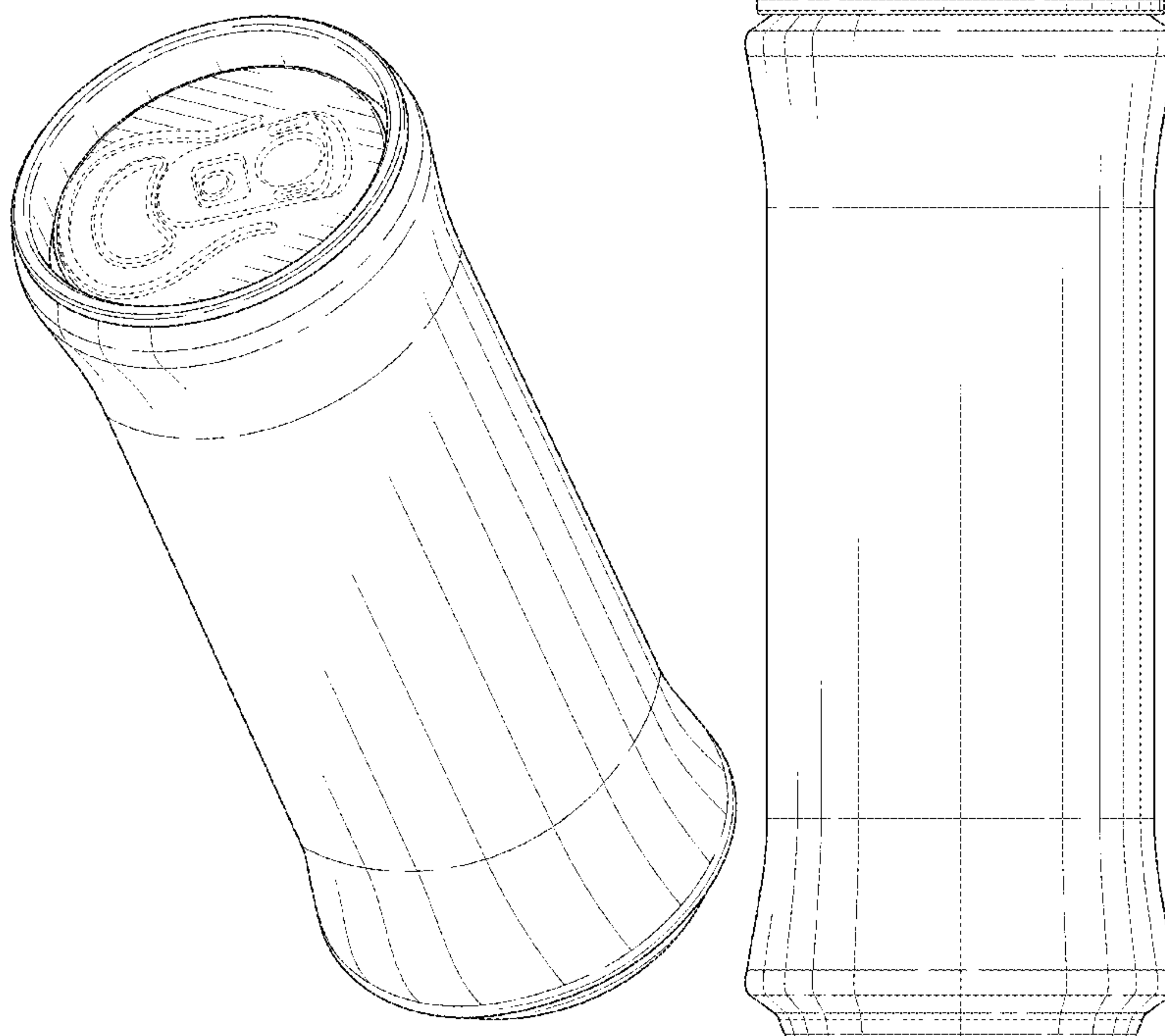
The ornamental design for a container for beverages, as shown and described.

DESCRIPTION

FIG. 1 is a top front perspective view of a container for beverages according to an embodiment of the new design; FIG. 2 is a front view thereof; FIG. 3 is a top view thereof; FIG. 4 is a bottom view thereof; and, FIG. 5 is a front view thereof including environmental features in the form of additional containers for beverages above and below.

The dashed broken lines in FIGS. 1 and 3 show portions of the container for beverages that form no part of the claimed design. The dashed broken lines in FIG. 5 show environmental features that form no part of the claimed design.

1 Claim, 4 Drawing Sheets



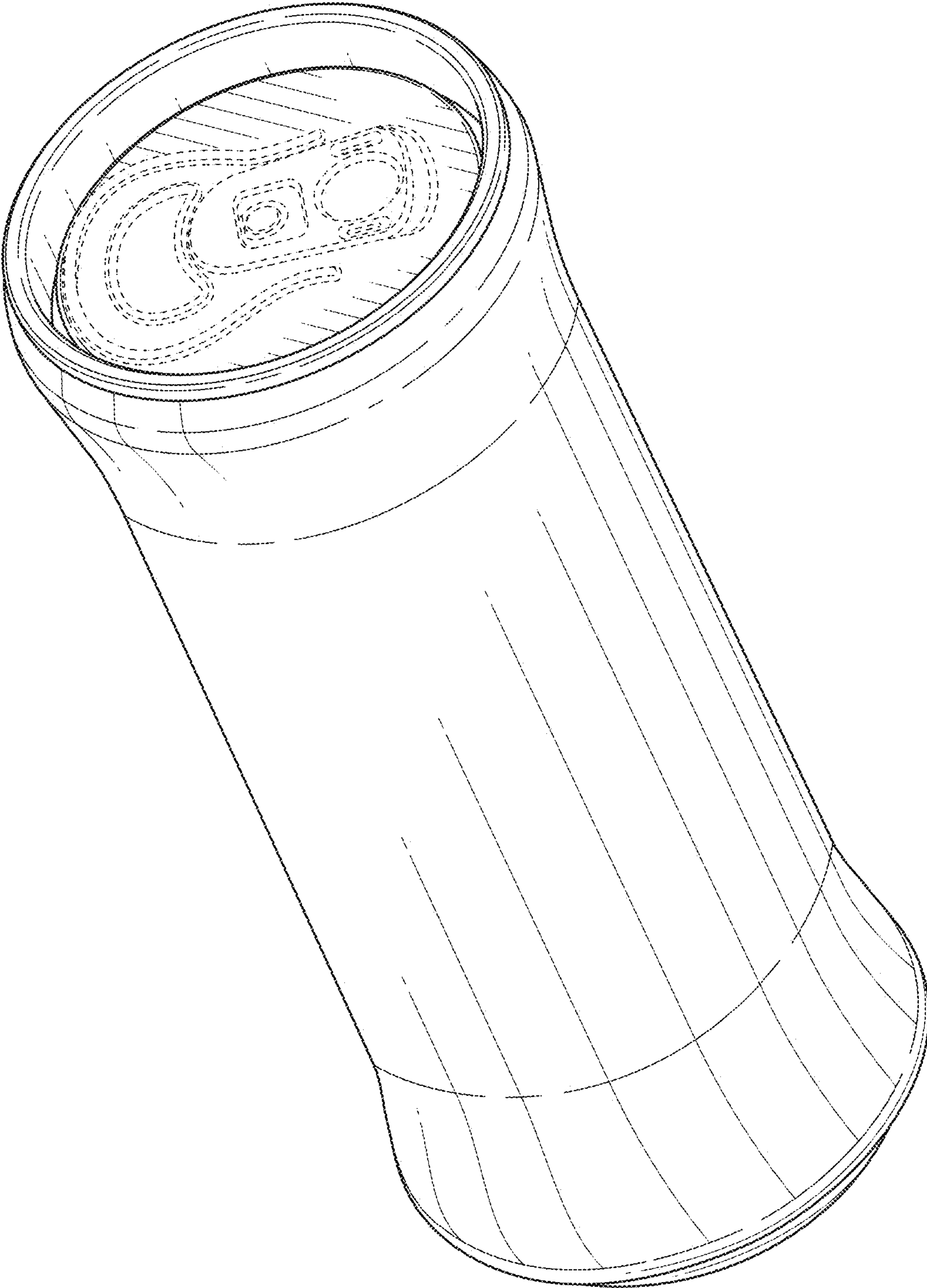


FIG. 1

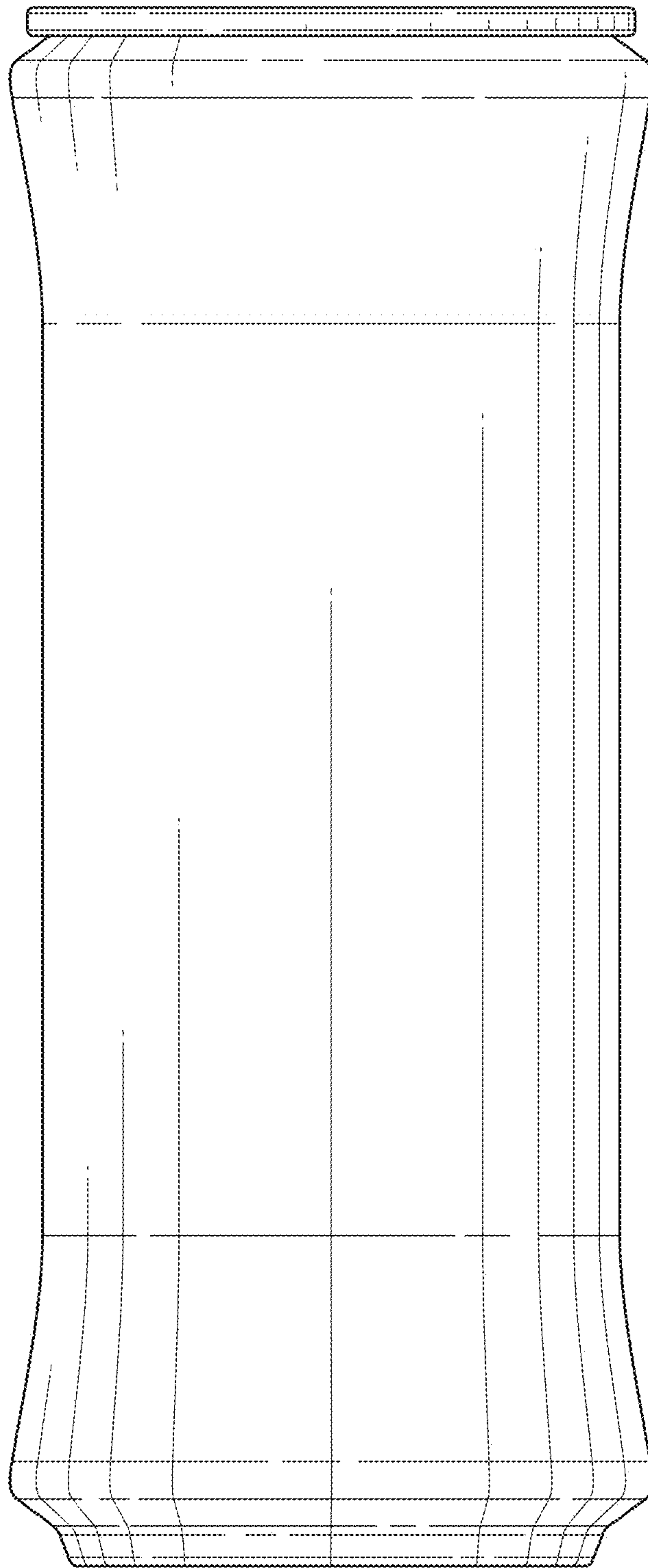


FIG. 2

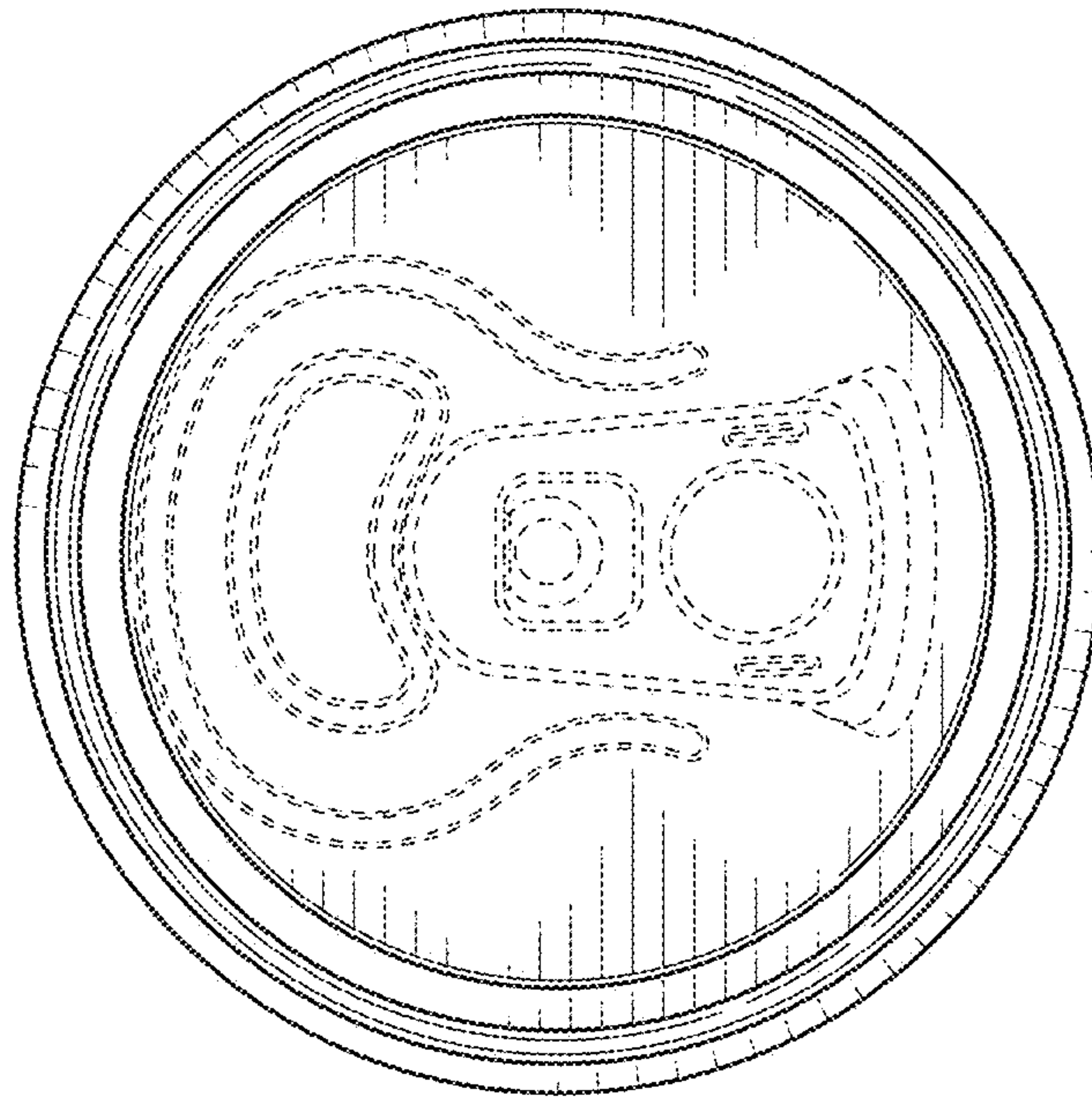


FIG. 3

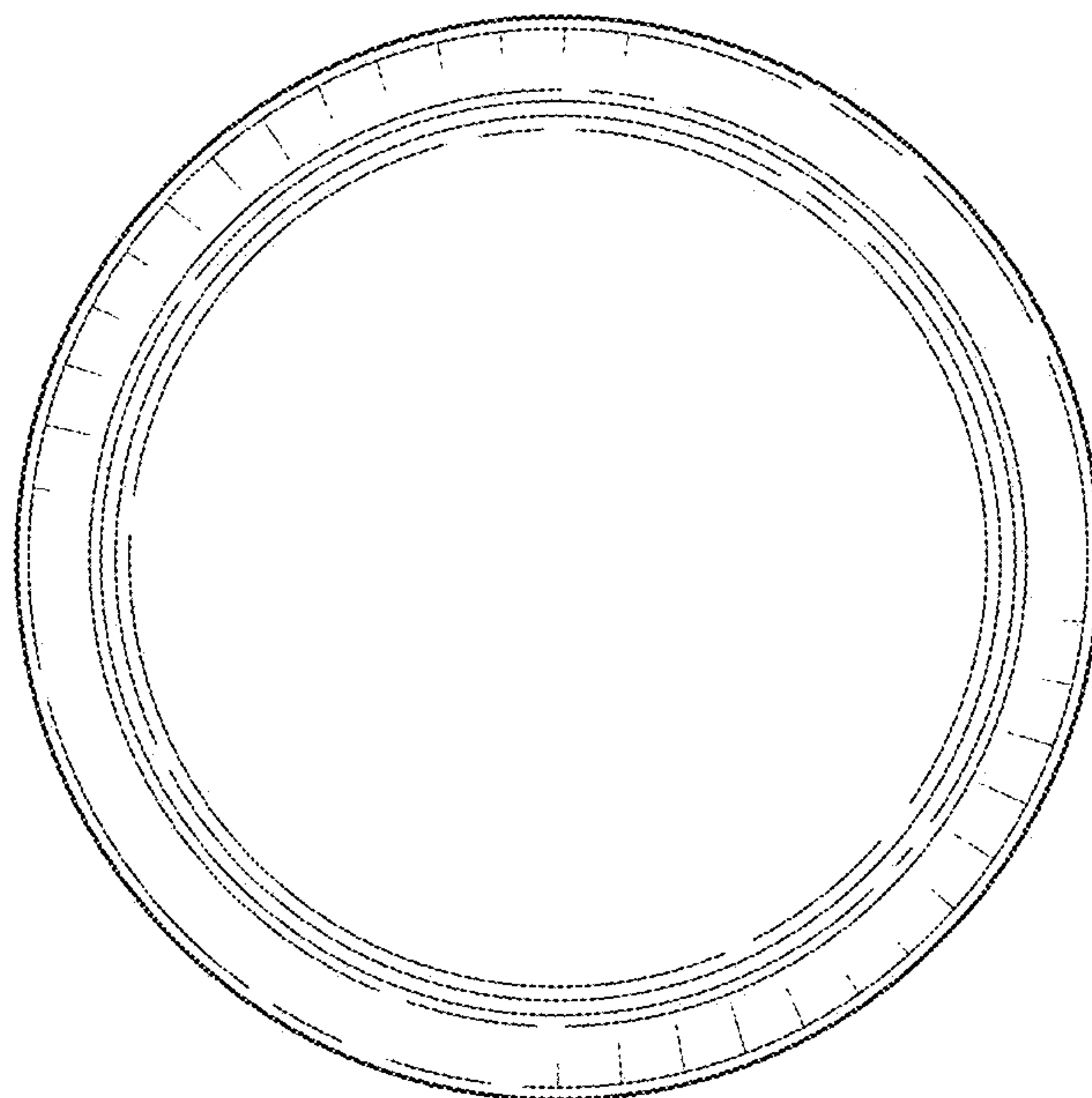


FIG. 4

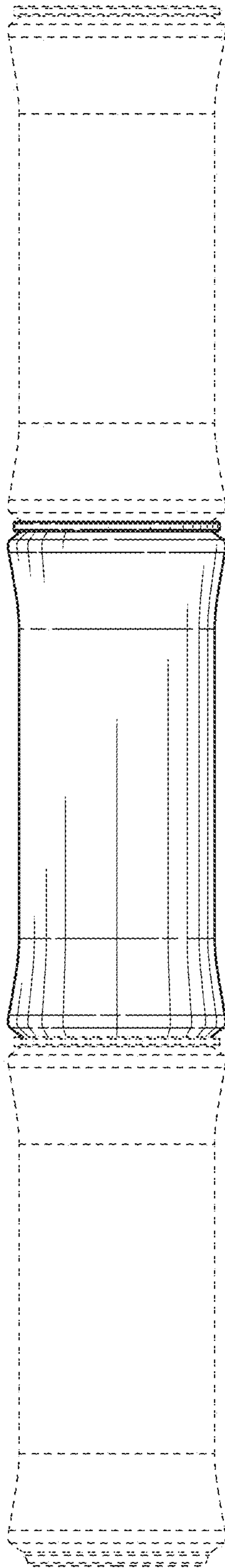


FIG. 5