



US00D887860S

(12) **United States Design Patent**  
**Hu et al.**

(10) **Patent No.: US D887,860 S**  
(45) **Date of Patent: \*\* Jun. 23, 2020**

(54) **CONTAINER**

- (71) Applicant: **Silgan Containers LLC**, Woodland Hills, CA (US)
- (72) Inventors: **Jianwen Hu**, Oconomowoc, WI (US); **Steven J. Manne**, Oconomowoc, WI (US)
- (73) Assignee: **Silgan Containers LLC**, Woodland Hills, CA (US)
- (\*\*) Term: **15 Years**
- (21) Appl. No.: **29/622,363**
- (22) Filed: **Oct. 17, 2017**

**Related U.S. Application Data**

- (62) Division of application No. 29/973,977, filed on Aug. 11, 2016, now Pat. No. Des. 803,702.
- (51) **LOC (12) Cl.** ..... **09-01**
- (52) **U.S. Cl.**  
USPC ..... **D9/776**
- (58) **Field of Classification Search**  
USPC ..... D9/500, 502, 516, 530, 537, 539, 542, D9/549, 763-783  
CPC ..... B21D 51/26; B21D 51/383; B29C 66/71; B65D 1/00; B65D 1/02; B65D 1/12; B65D 1/14; B65D 1/40; B65D 1/44; B65D 1/023; B65D 1/0223; B65D 1/165; B65D 1/238; B65D 1/246; B65D 1/253; B65D 7/04; B65D 21/0209; B65D 21/0233; B65D 25/00; B65D 25/28; B65D 41/0457; B65D 41/17; B65D 53/06; B65D 75/56; B65D 79/005; B65D 2501/0036; B65D 2543/00064; B65D 2543/00074; B65D 2543/00083; B65D 2543/00092; B65D 2543/00101; B65D 2543/00111; Y10T 29/49826

See application file for complete search history.

(56) **References Cited**

**U.S. PATENT DOCUMENTS**

D398,531 S	9/1998	De Vries	
D537,366 S	2/2007	Pedersen	
D611,838 S	3/2010	Metzger	
D614,508 S	4/2010	Hu	
D615,877 S	5/2010	Hu	
D652,740 S	1/2012	Metzger	
D672,663 S	12/2012	Baker	
D683,247 S	5/2013	Baker	
D696,594 S	12/2013	Baker	
D739,266 S	9/2015	Baker	
D766,112 S	9/2016	Baker	
D769,122 S	10/2016	Wiggins	
D803,702 S *	11/2017	Hu	D9/776
D847,661 S *	5/2019	Baker	D9/773
D848,269 S *	5/2019	Varvello	D9/537
D856,088 S *	8/2019	Stanton	D7/532
D864,761 S *	10/2019	Baker	D9/776

(Continued)

*Primary Examiner* — Keli L Hill

(74) *Attorney, Agent, or Firm* — Reinhart Boerner Van Deuren s.c.

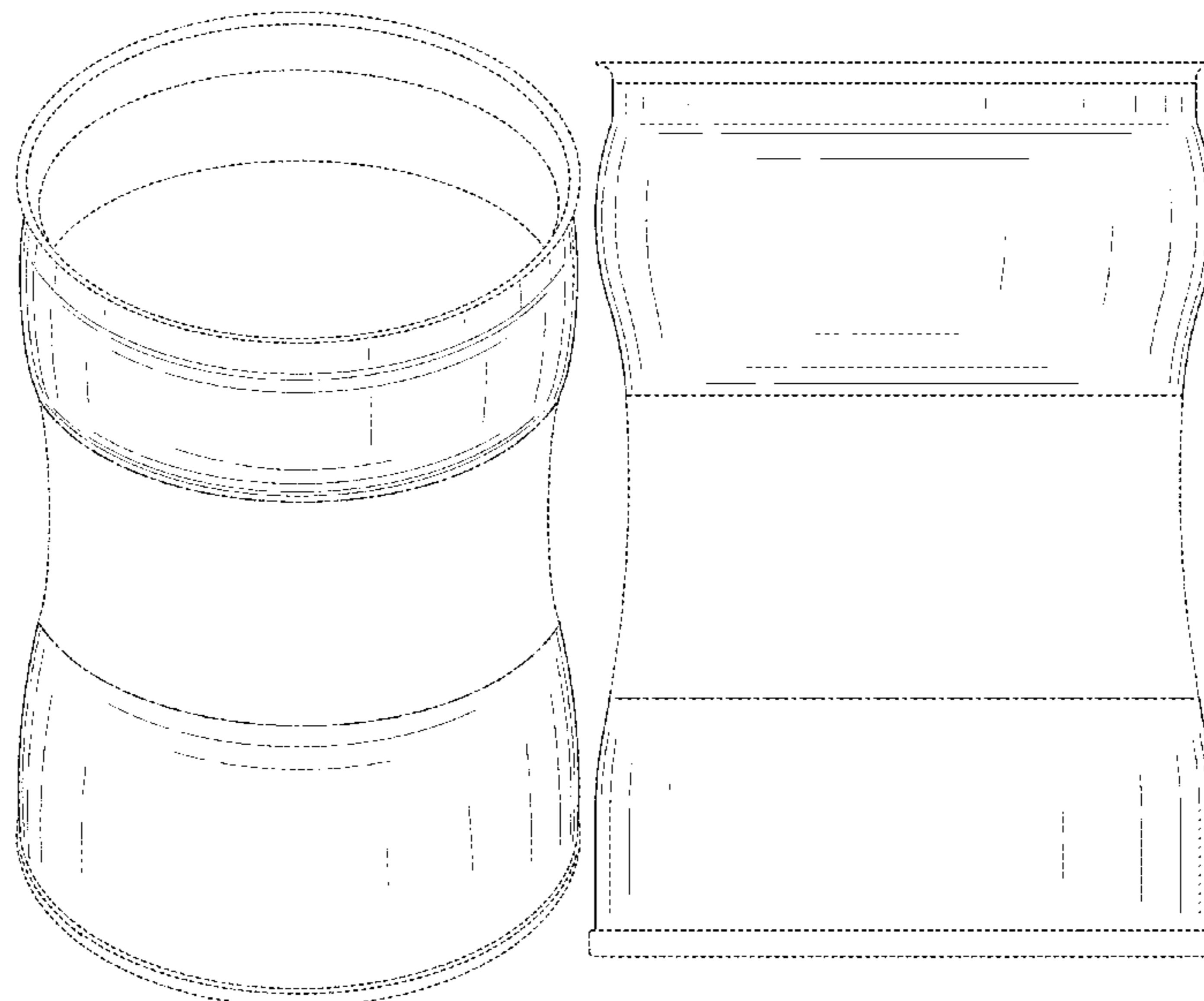
(57) **CLAIM**

We claim the ornamental design for a container, as shown and described.

**DESCRIPTION**

FIG. 1 is a top perspective view of a container, embodying our new design;  
 FIG. 2 is a front elevation view thereof, the rear, left and right side elevation views being identical thereto;  
 FIG. 3 is a bottom plan view thereof; and,  
 FIG. 4 is a top plan view thereof.  
 The broken lines shown are included for the purpose of illustrating portions of the container that form no part of the claim.

**1 Claim, 4 Drawing Sheets**



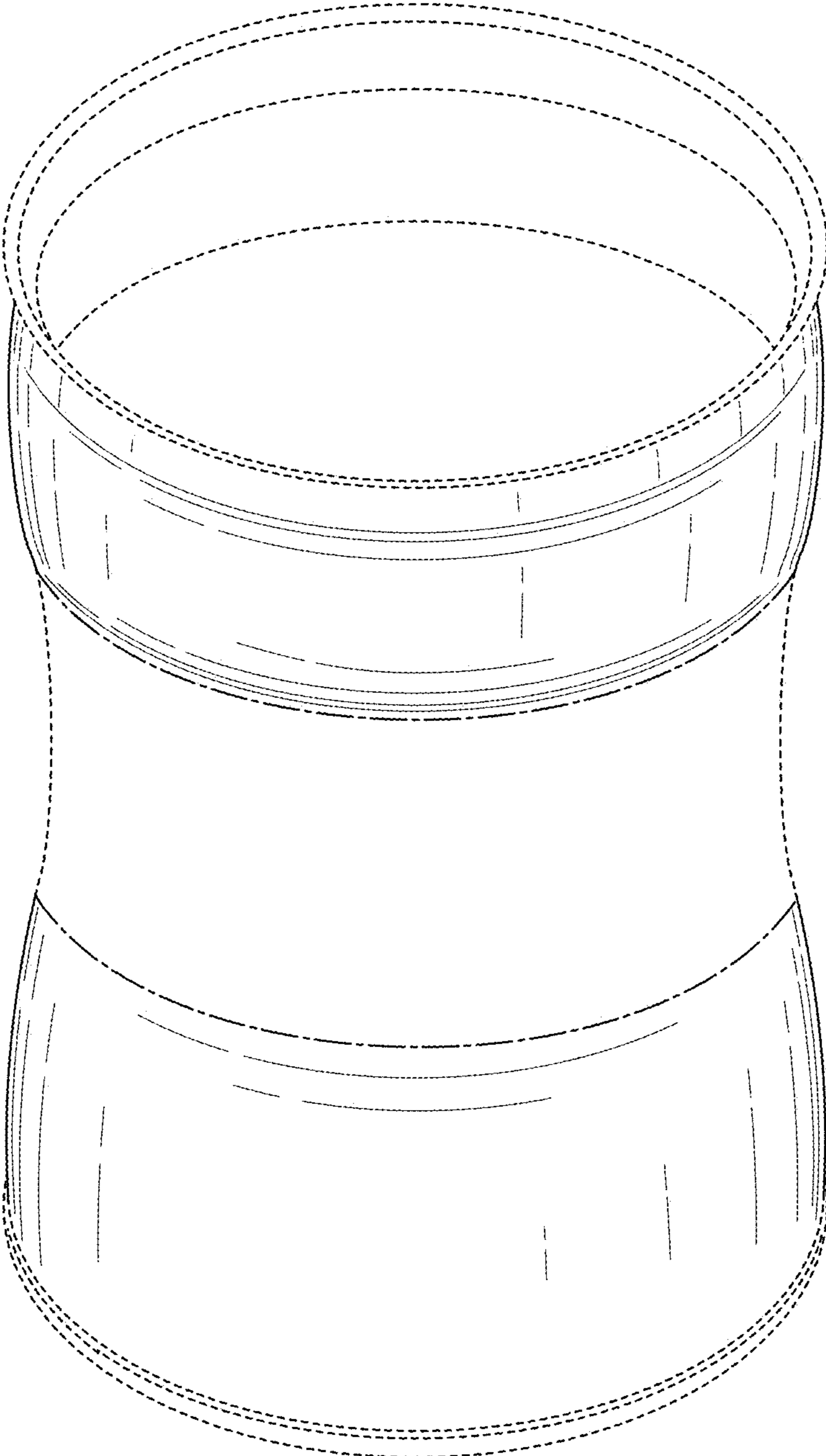
(56)

**References Cited**

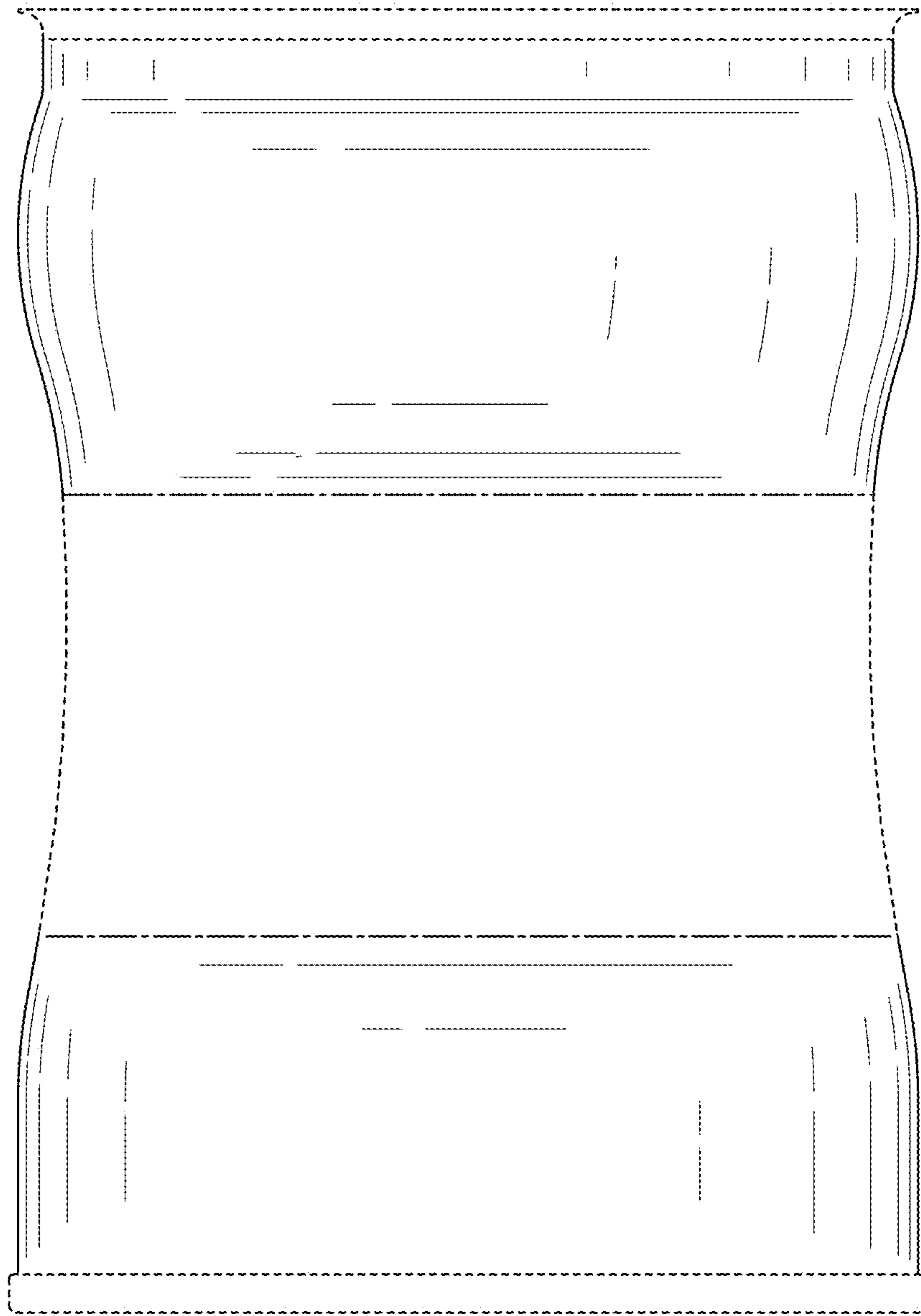
U.S. PATENT DOCUMENTS

D870,567 S \* 12/2019 Jacober ..... D9/772  
2013/0306661 A1 11/2013 Baker  
2014/0263372 A1 9/2014 Baker

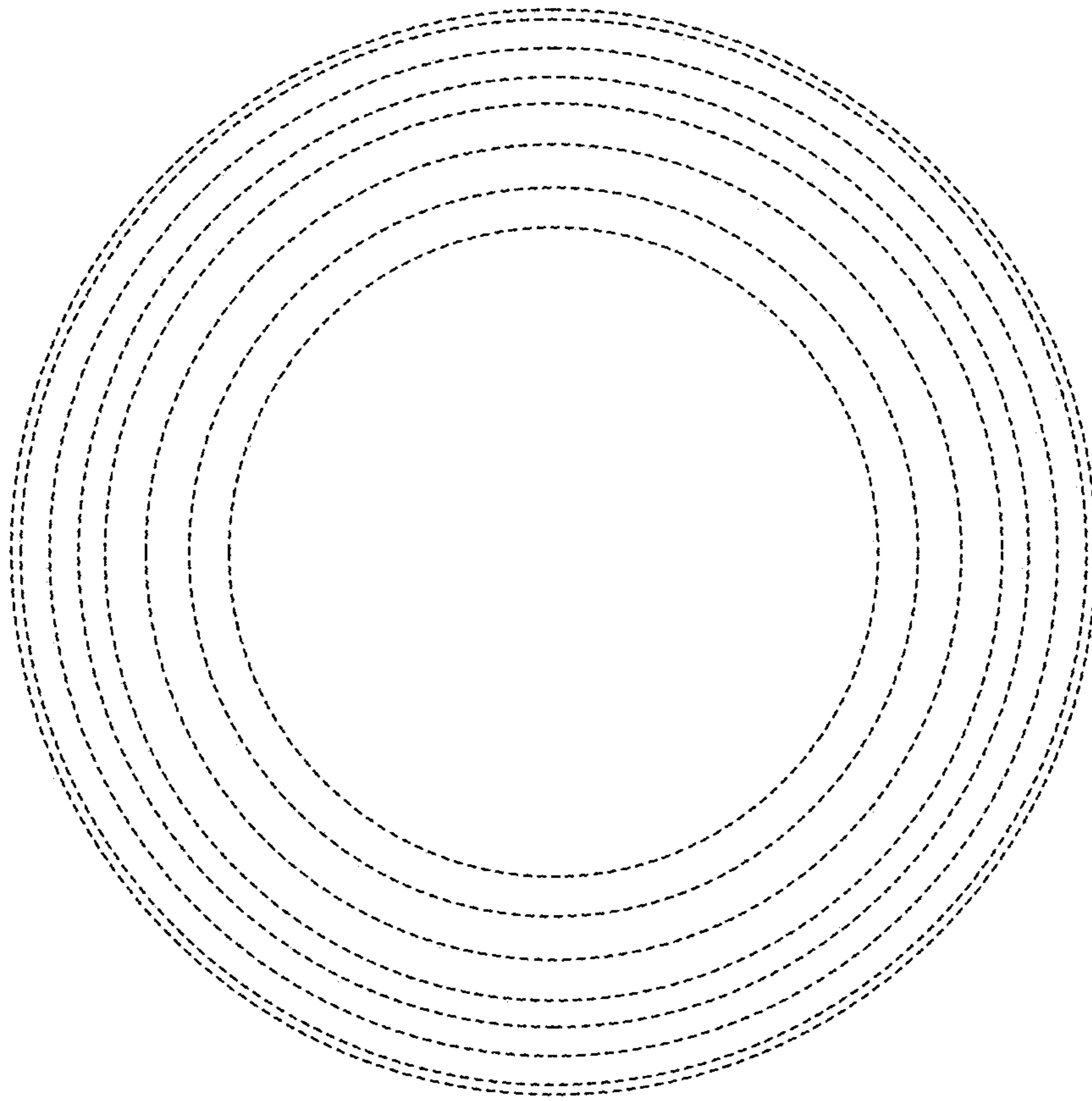
\* cited by examiner



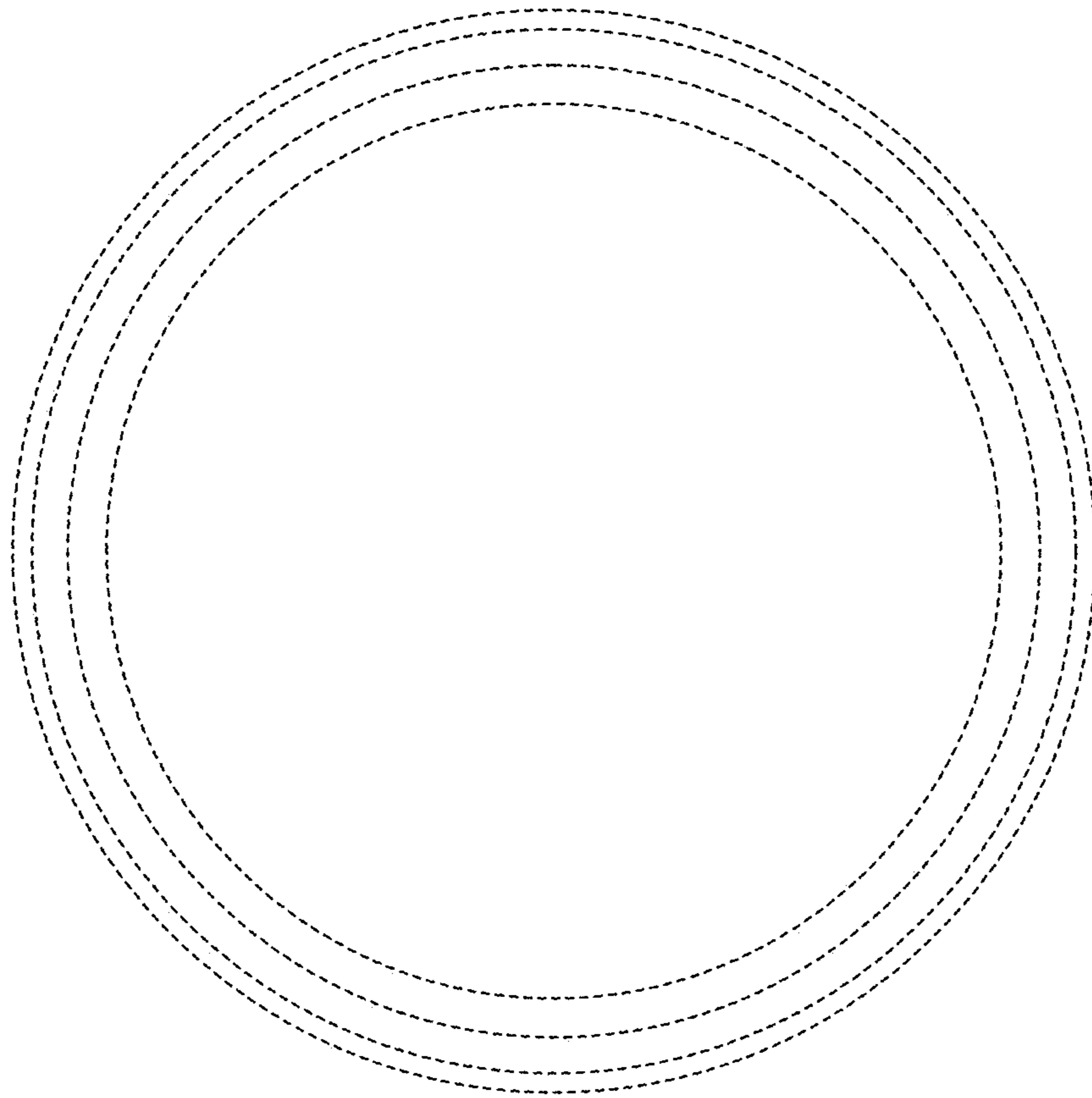
**FIG. 1**



**FIG. 2**



**FIG. 3**



**FIG. 4**