



US00D887859S

(12) **United States Design Patent**
Floco

(10) **Patent No.:** **US D887,859 S**
(45) **Date of Patent:** **** Jun. 23, 2020**

(54) **STORAGE CONTAINER**

FOREIGN PATENT DOCUMENTS

(71) Applicant: **PierPoint, Inc.**, Escondido, CA (US)

JP 2010202262 A 9/2010
WO 2019125452 6/2019

(72) Inventor: **Ried Floco**, Escondido, CA (US)

(73) Assignee: **PIERPOINT, INC.**, Escondido, CA (US)

(**) Term: **15 Years**

(21) Appl. No.: **29/659,233**

(22) Filed: **Aug. 7, 2018**

(51) **LOC (12) Cl.** **09-03**

(52) **U.S. Cl.**
USPC **D9/756; D9/600**

(58) **Field of Classification Search**
USPC D9/600, 737, 756, 414, 420, 423, 424,
D9/426, 430, 499; D7/538, 539, 541,
D7/555, 556, 571, 601, 702, 703, 628,
D7/629; D3/201, 270, 271.1, 273, 294,
D3/295, 302, 901, 903; 220/575, 500;
206/6.1, 822; 229/406, 407, 116.1, 116.2,
229/120.02

CPC A47G 13/10; A47G 13/16; A47G 19/06
See application file for complete search history.

(56) **References Cited**

U.S. PATENT DOCUMENTS

1,544,972 A	7/1925	Gebelein
D87,682 S	8/1932	Pouter
1,872,491 A	8/1932	Noetzel
2,063,289 A	12/1936	Alusas
D105,687 S	8/1937	Bode
2,107,023 A	2/1938	Bertsch
2,584,557 A	2/1952	Cuthbertson
2,640,595 A	6/1953	Byford
2,799,147 A	7/1957	Crawford
3,079,037 A	2/1963	Schechter
3,250,422 A	5/1966	Parish
3,257,024 A	6/1966	Semanchik

(Continued)

OTHER PUBLICATIONS

Silver Half Moon Jewelry Box (via the knot shop), available Feb. 7, 2019, [online], [site visited Feb. 3, 2020]. Available from internet, URL: <https://weddingshop.theknot.com/product/personalized-silver-half-moon-jewelry-box-modern-initials-etching> (Year: 2019).*

(Continued)

Primary Examiner — W. A. Teddy Falloway

(74) *Attorney, Agent, or Firm* — Elanor Musick; Musick Davison LLP

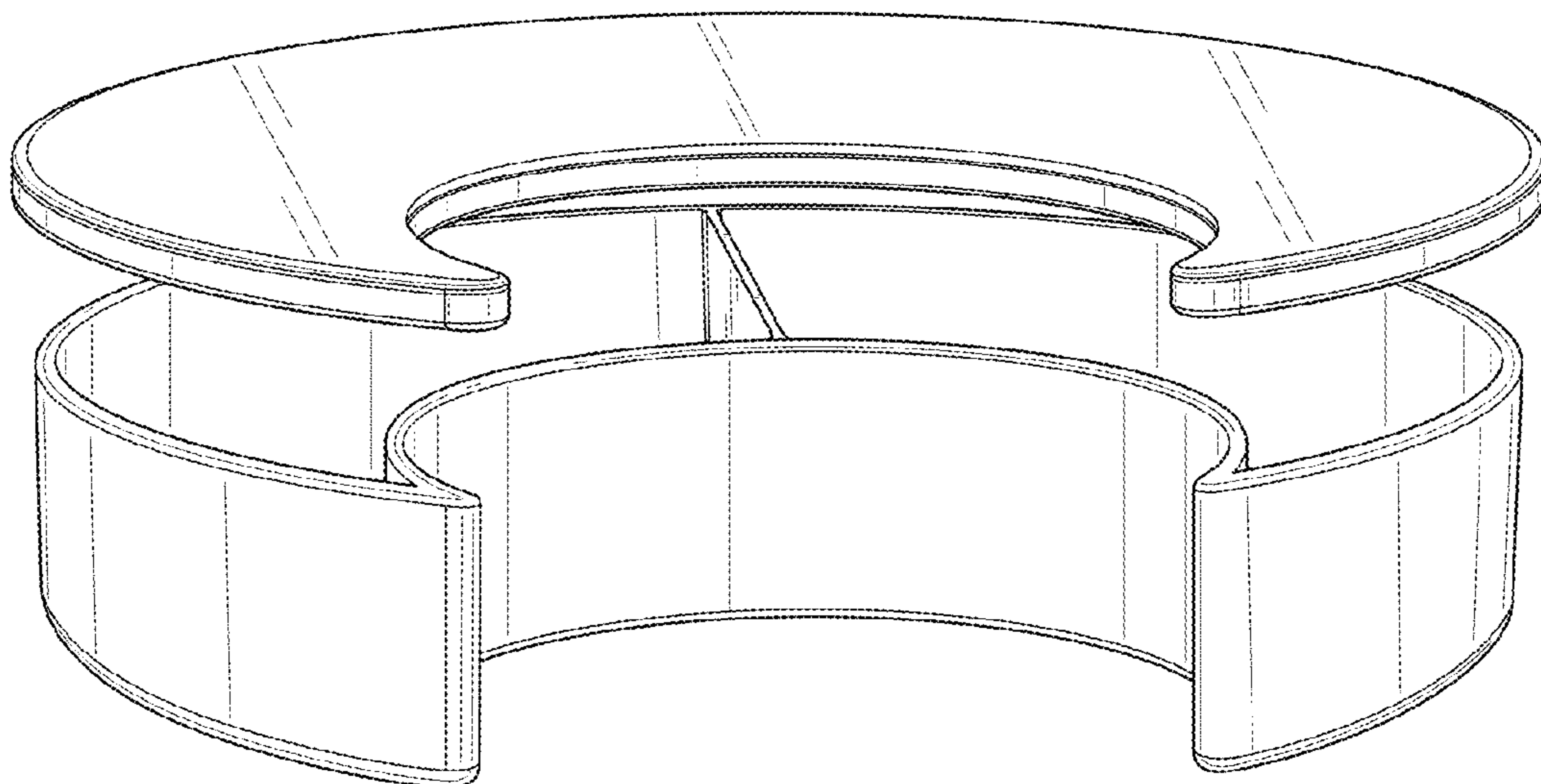
(57) **CLAIM**

The ornamental design for a storage container, as shown.

DESCRIPTION

FIG. 1 is a side perspective view showing my new design for a storage container with a lid attached thereto; FIG. 2 is a front elevational view of the storage container as shown in FIG. 1; FIG. 3 is a rear elevational view of the storage container as shown in FIG. 1; FIG. 4 is a left side elevational view of the storage container as shown in FIG. 1; FIG. 5 is a right side elevational view of the storage container as shown in FIG. 1; FIG. 6 is a top plan view of the storage container; FIG. 7 is a bottom plan view of the storage container; FIG. 8 is a side perspective view of the storage container with the lid separated; and, FIG. 9 is an inverted side perspective view of the storage container with the lid separated.

1 Claim, 7 Drawing Sheets



(56)

References Cited

U.S. PATENT DOCUMENTS

3,401,858 A	9/1968	White et al.	6,425,480 B1	7/2002	Krueger et al.	
3,491,893 A	1/1970	Morris	D463,318 S *	9/2002	McKendree	D11/143
3,526,335 A	9/1970	Swett et al.	6,511,030 B1	1/2003	Kelley	
3,642,239 A	2/1972	Zeiler	6,533,233 B2	3/2003	Thomas	
3,800,939 A	4/1974	Cornelius	6,651,836 B1	11/2003	Hotheins et al.	
3,808,084 A	4/1974	Doty	6,682,034 B1	1/2004	Vial	
3,877,603 A	4/1975	Holz	6,732,990 B2	5/2004	Hudson	
3,949,876 A	4/1976	Bridges et al.	D506,357 S	6/2005	Price	
4,040,549 A	8/1977	Sadler	D508,373 S	8/2005	Corrieri	
4,071,163 A	1/1978	Martin	D509,104 S	9/2005	Price	
D251,652 S *	4/1979	Molloy	6,964,443 B1	11/2005	Newton	
4,202,465 A	5/1980	McLaren	6,971,539 B1	12/2005	Abbe	
4,208,006 A	6/1980	Bixler et al.	D524,108 S	7/2006	Price	
D257,108 S *	9/1980	Daenen	7,114,630 B2	10/2006	Dege et al.	
4,221,320 A	9/1980	Faller	D534,816 S	1/2007	Newton	
4,279,354 A	7/1981	Conti	D560,973 S	2/2008	Parlowski	
4,286,713 A	9/1981	Marchais	7,334,908 B1	2/2008	Figueroa	
4,334,623 A	6/1982	Geary	D563,726 S	3/2008	Fraser	
D270,324 S	8/1983	French	D571,228 S	6/2008	Maslowski	
4,516,685 A	5/1985	French	D575,600 S	8/2008	Mayer	
4,524,701 A	6/1985	Chappell	D576,455 S	9/2008	Siddle	
4,607,758 A *	8/1986	Stevens	D581,740 S	12/2008	Ingle	
		A47G 19/06	D592,813 S	5/2009	Newsome et al.	
		206/509	D594,280 S	6/2009	Wolhender	
D291,957 S	9/1987	Stevens	D594,281 S	6/2009	Luft	
D298,296 S	11/1988	Washburn et al.	D594,705 S	6/2009	McComas	
4,798,413 A	1/1989	Capelli	D595,093 S	6/2009	McComas	
4,966,297 A	10/1990	Doty	D595,094 S	6/2009	Vernes et al.	
4,969,618 A	11/1990	Thompson	7,562,785 B2	7/2009	Meissen	
D322,197 S	12/1991	Sherlin	D604,993 S	12/2009	Vernes et al.	
5,114,108 A	5/1992	Olschansky	D606,810 S	12/2009	Clark	
D326,588 S	6/1992	Meisel	D614,926 S	5/2010	Cox	
5,118,063 A	6/1992	Young	D620,761 S	8/2010	Boudreau	
5,135,195 A	8/1992	Dane	D623,019 S	9/2010	Wildman	
5,171,077 A	12/1992	Jondahl et al.	D623,020 S	9/2010	Gordon	
D342,421 S	12/1993	DuBow	D623,478 S	9/2010	Hayashi	
5,330,145 A	7/1994	Evans et al.	D625,958 S	10/2010	Deming	
5,335,787 A	8/1994	Finchum et al.	7,871,050 B2	1/2011	Epstein	
D353,289 S	12/1994	Ayotte et al.	8,015,943 B1	9/2011	Samuelson et al.	
5,419,451 A	5/1995	Bitel, Jr.	D650,237 S	12/2011	McComas	
D359,418 S *	6/1995	Sicard	D651,028 S	12/2011	Grimaldi	
5,421,459 A	6/1995	Mazzotti	D652,323 S	1/2012	Clark	
D359,885 S	7/1995	Yanuzzi	D655,136 S	3/2012	Goodman	
D373,052 S *	8/1996	Di Biase	8,136,667 B2	3/2012	Raynor	
5,598,944 A	2/1997	Aragona	8,146,737 B2	4/2012	D'Agostino	
5,601,268 A	2/1997	Dunchock	8,186,524 B2	5/2012	Siahpush	
D378,334 S	3/1997	Legere	8,256,639 B1	9/2012	Samuelson et al.	
5,651,523 A	7/1997	Bridges	8,272,512 B2	9/2012	Joseph	
D382,727 S	8/1997	Kresge et al.	D674,665 S *	1/2013	Olivari	D7/629
5,702,041 A	12/1997	Sun et al.	D686,459 S	7/2013	Maggio	
5,711,595 A	1/1998	Gerbe	D686,460 S	7/2013	Maggio	
5,713,628 A	2/1998	Lucatuorto	8,474,641 B2	7/2013	Hays et al.	
5,769,264 A	6/1998	Lipkowitz	D705,438 S	5/2014	Wainwright et al.	
5,772,050 A	6/1998	Shih	D708,062 S	7/2014	Navarro	
D395,824 S *	7/1998	Durliat	D712,204 S	9/2014	Hatcher et al.	
D398,480 S	9/1998	Chica	D726,586 S *	4/2015	Zignego	D11/157
D404,218 S	1/1999	Sussman	D727,069 S *	4/2015	Ahroon	D3/295
5,865,124 A	2/1999	Wroe	D730,124 S	5/2015	Tollen et al.	
5,897,041 A	4/1999	Ney et al.	9,027,825 B2	5/2015	Baker et al.	
D410,820 S	6/1999	Lofrano	D732,344 S	6/2015	Clark	
5,953,999 A	9/1999	Kanehl	9,108,766 B2	8/2015	Gosen et al.	
5,954,195 A	9/1999	Krueger et al.	D737,633 S	9/2015	Breton	
5,971,139 A	10/1999	Bradley	9,145,233 B2	9/2015	Cerrato	
D415,930 S	11/1999	Schmidt	D750,441 S	3/2016	Hartmann	
6,021,914 A	2/2000	Schmidt	D756,216 S *	5/2016	El-Debs	D9/420
6,036,020 A	3/2000	Distler	D766,665 S	9/2016	Shames	
6,109,580 A	8/2000	Stern et al.	D778,116 S	2/2017	Cao	
6,113,049 A	9/2000	Miljanich	D795,016 S	8/2017	Crawford	
6,152,302 A	11/2000	Miller et al.	D805,855 S	12/2017	Adams, IV et al.	
D442,830 S	5/2001	Raucci	D808,222 S	1/2018	Shames	
6,264,026 B1	7/2001	Bradley	D819,408 S	6/2018	Floco	
6,302,326 B1	10/2001	Symonds et al.	D831,429 S *	10/2018	Floco	D7/553.8
D453,891 S	2/2002	Sussman	D842,044 S *	3/2019	Floco	D7/553.8
6,360,885 B1	3/2002	Krueger et al.	D853,230 S *	7/2019	Feldman	D9/600
D458,084 S	6/2002	Hudson	D873,626 S *	1/2020	Rendo	D7/629
6,401,927 B1	6/2002	Sorensen et al.	2002/0056743 A1	5/2002	Barcat et al.	
			2003/0108714 A1	6/2003	Razeti	
			2003/0141424 A1	7/2003	Thomas	
			2004/0238537 A1	12/2004	Ojeda	

(56)

References Cited

U.S. PATENT DOCUMENTS

2005/0017134 A1 1/2005 Hooper
2006/0049073 A1 3/2006 Shannon
2007/0023433 A1 2/2007 Vahavihu
2008/0264822 A1 10/2008 Faiola
2009/0120832 A1 5/2009 Munden
2012/0031806 A1 2/2012 Riley
2012/0097574 A1 4/2012 Parsons
2014/0103033 A1 4/2014 Beckman
2016/0075492 A1 3/2016 Brannock
2016/0236837 A1 8/2016 Malcolm
2017/0245610 A1 8/2017 French
2017/0311752 A1 11/2017 Roever et al.
2019/0183240 A1* 6/2019 Floco A47B 13/16

OTHER PUBLICATIONS

Crescent Moon Wooden Shelf (via Coppermoon), available Feb. 3, 2020, [online], [site visited Feb. 3, 2020]. Available from internet, URL: <https://www.coppermoonboutique.com/collections/crystal-shelves/products/crescent-moon-wooden-shelf> (Year: 2020).*

Vintage Paper Mache Crescent Shaped box (via Etsy), available May 11, 2019, [online], [site visited Feb. 3, 2020]. Available from internet, URL: https://www.etsy.com/sg-en/listing/705545249/vintage-paper-mache-crescent-shaped-box?show_sold_out_detail=1 (Year: 2019).*

“Travel Tray—Convenient Snack and Drink Travel Tray for Car Seats” Website [online], Travel Tray, Oct. 30, 2017 (retrieved on Feb. 6, 2018). Retrieved from the Internet: URL: <https://www.traveltray.us/>.

PCT/US2017/067752 International Search Report and Written Opinion, dated Mar. 8, 2018, 7 pages.

Uxcell Vehicle Car Tray—Amazon.com listing accessed May 8, 2017.

* cited by examiner

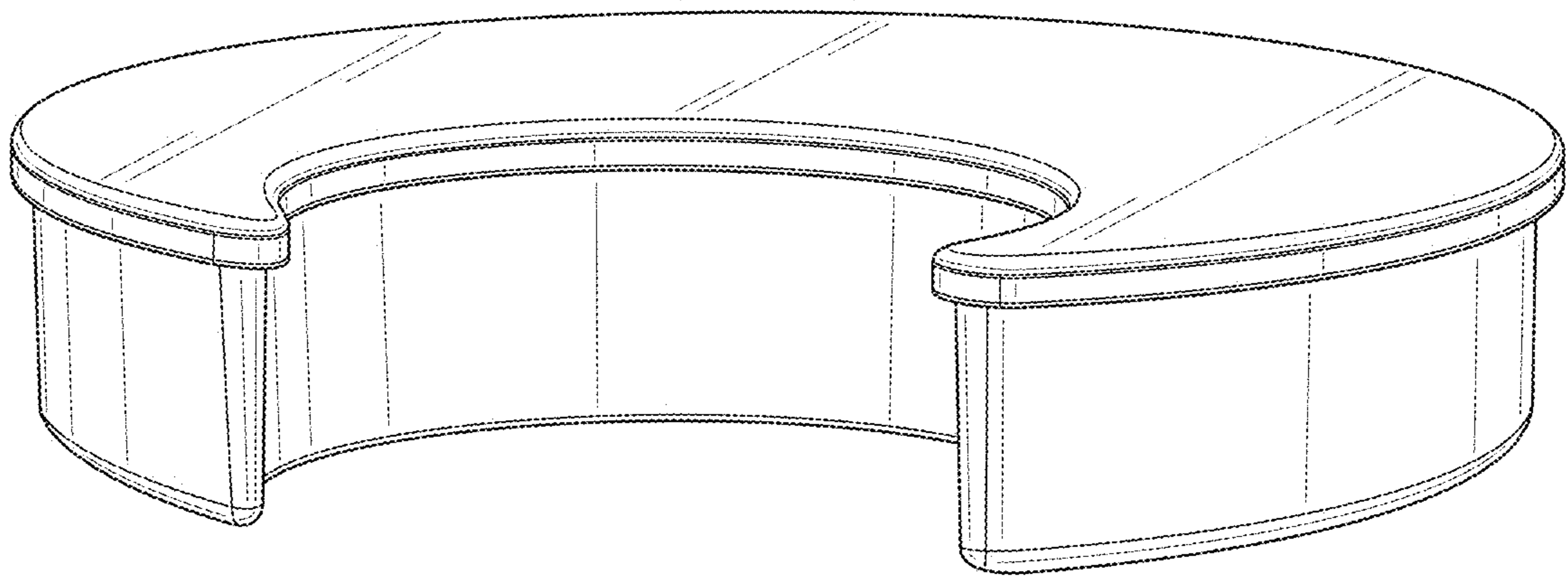


FIG. 1

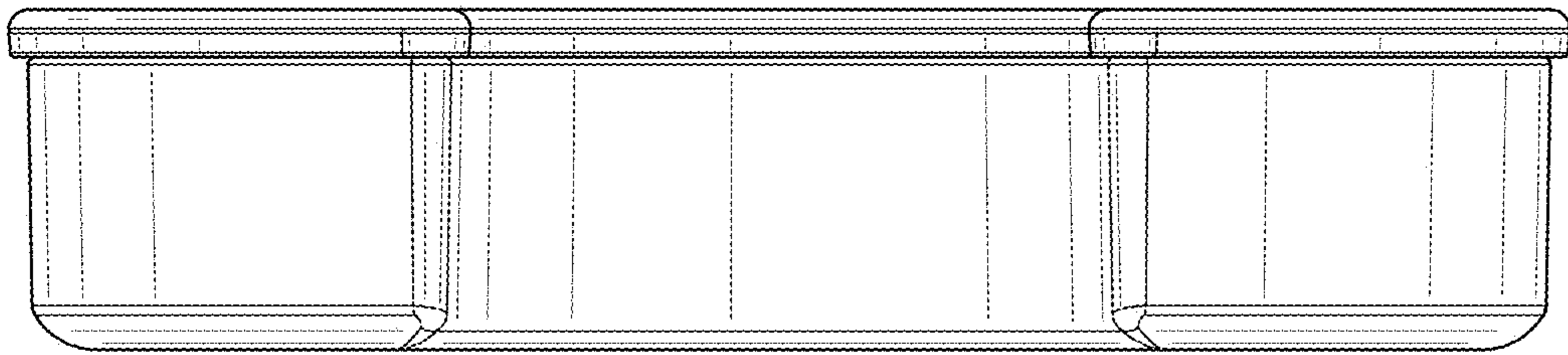


FIG. 2

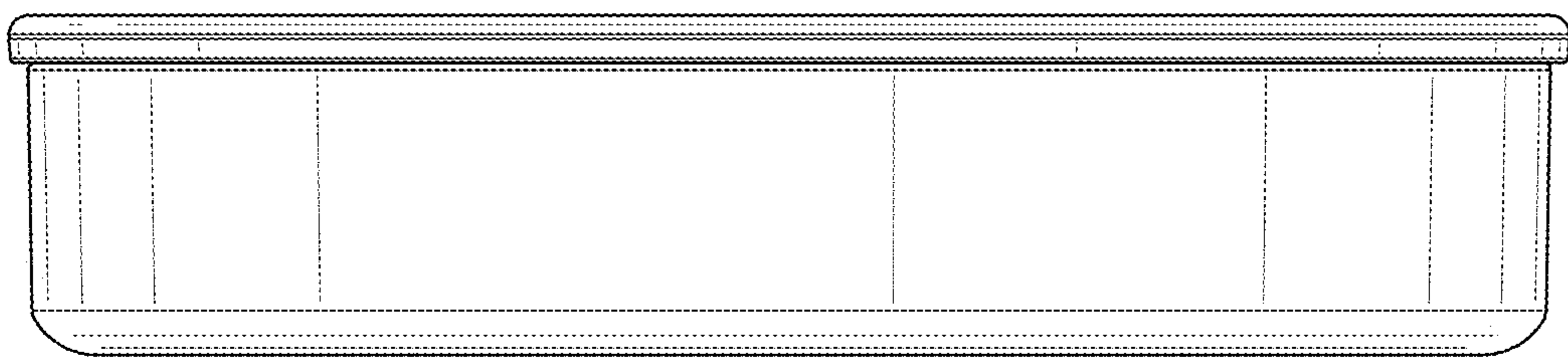


FIG. 3

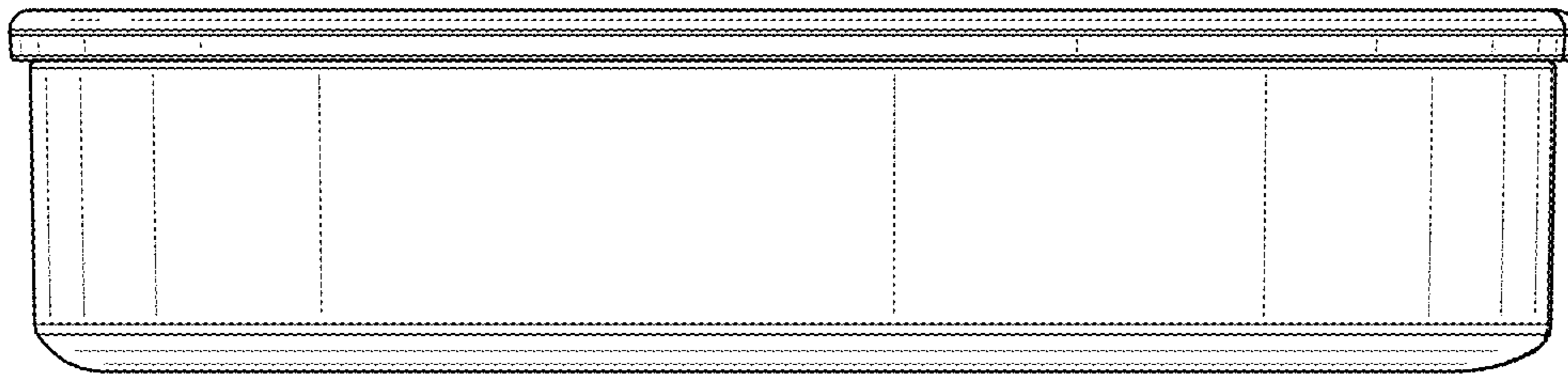


FIG. 4

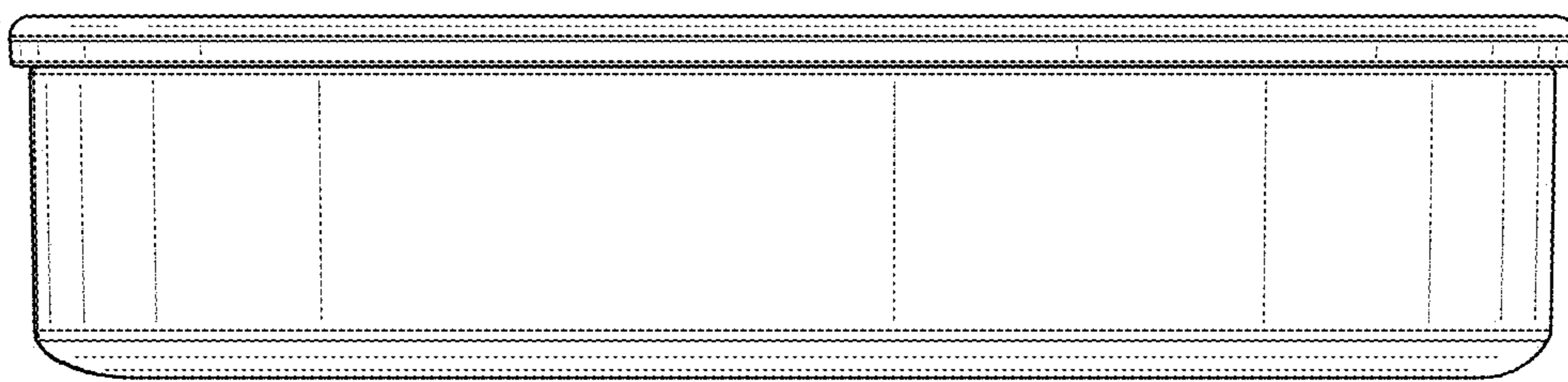


FIG. 5

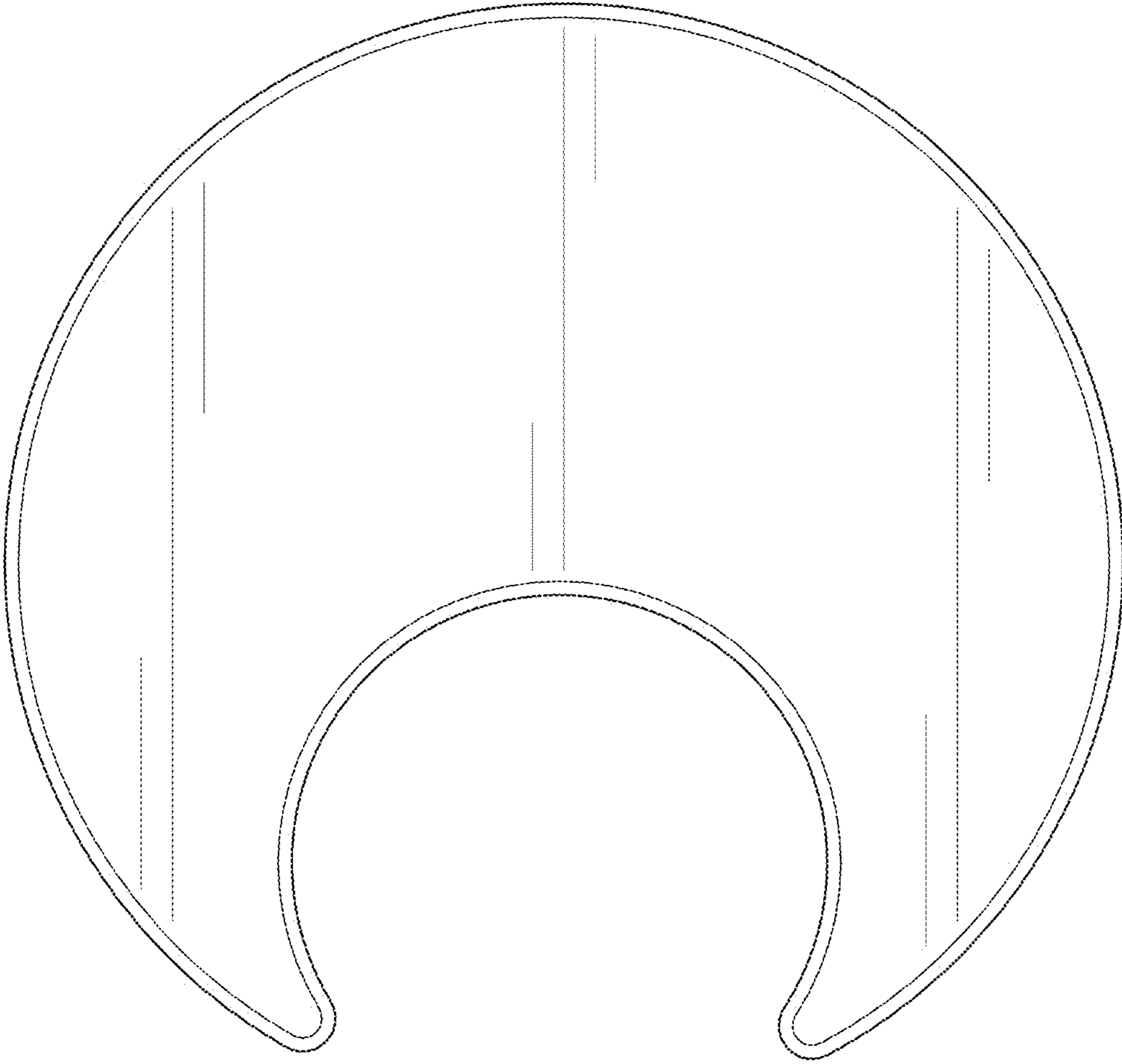


FIG. 6

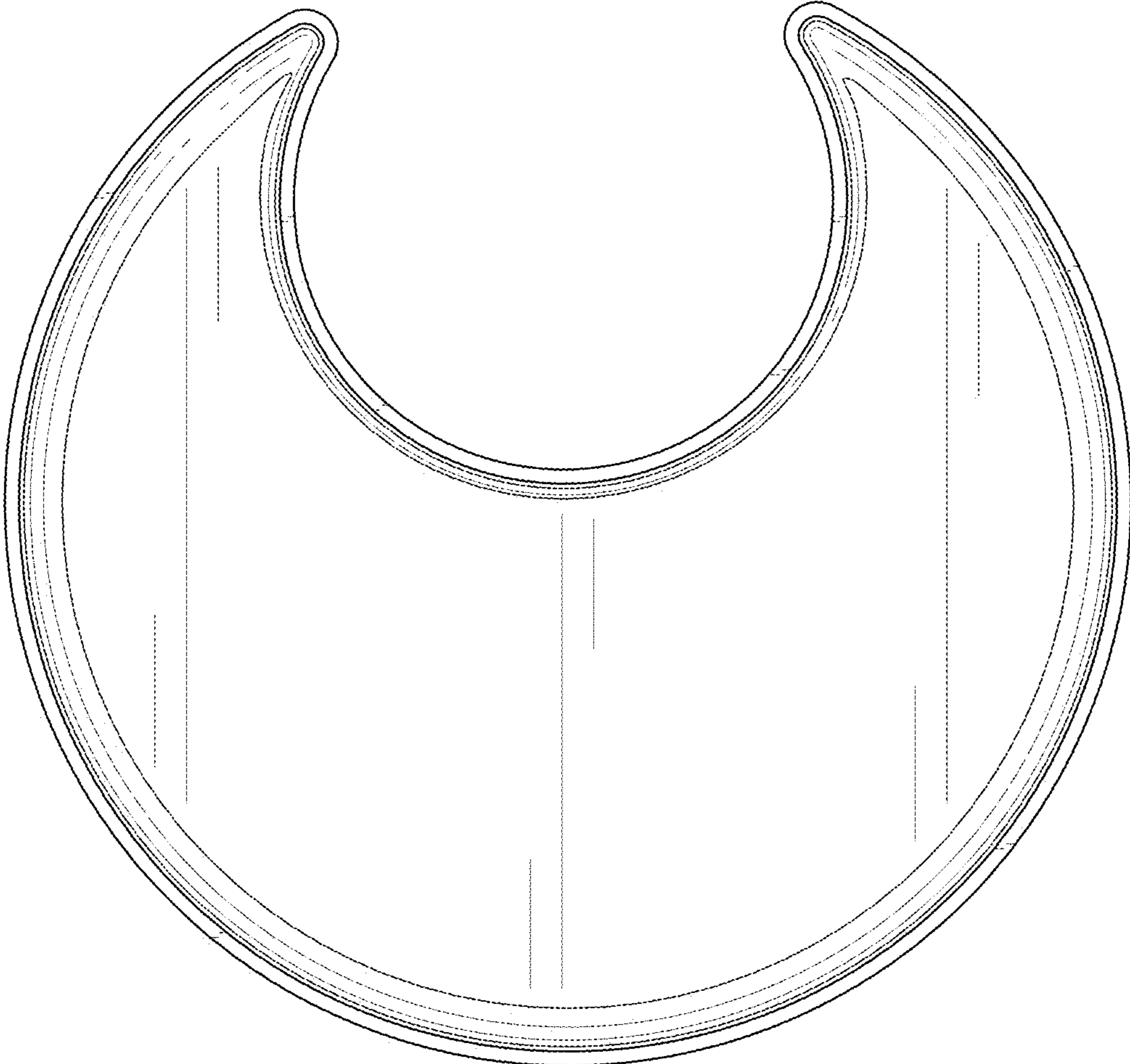


FIG. 7

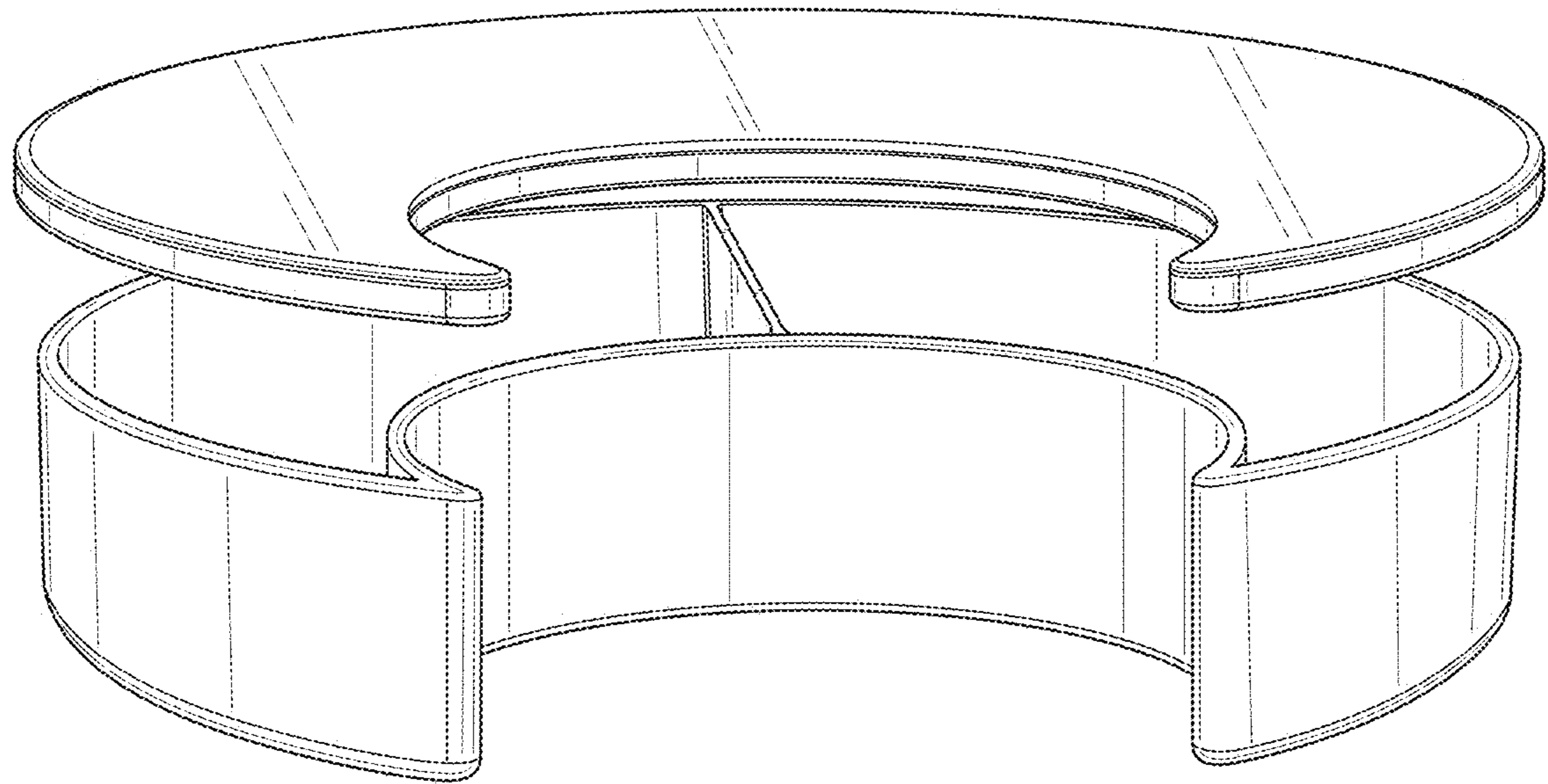


FIG. 8

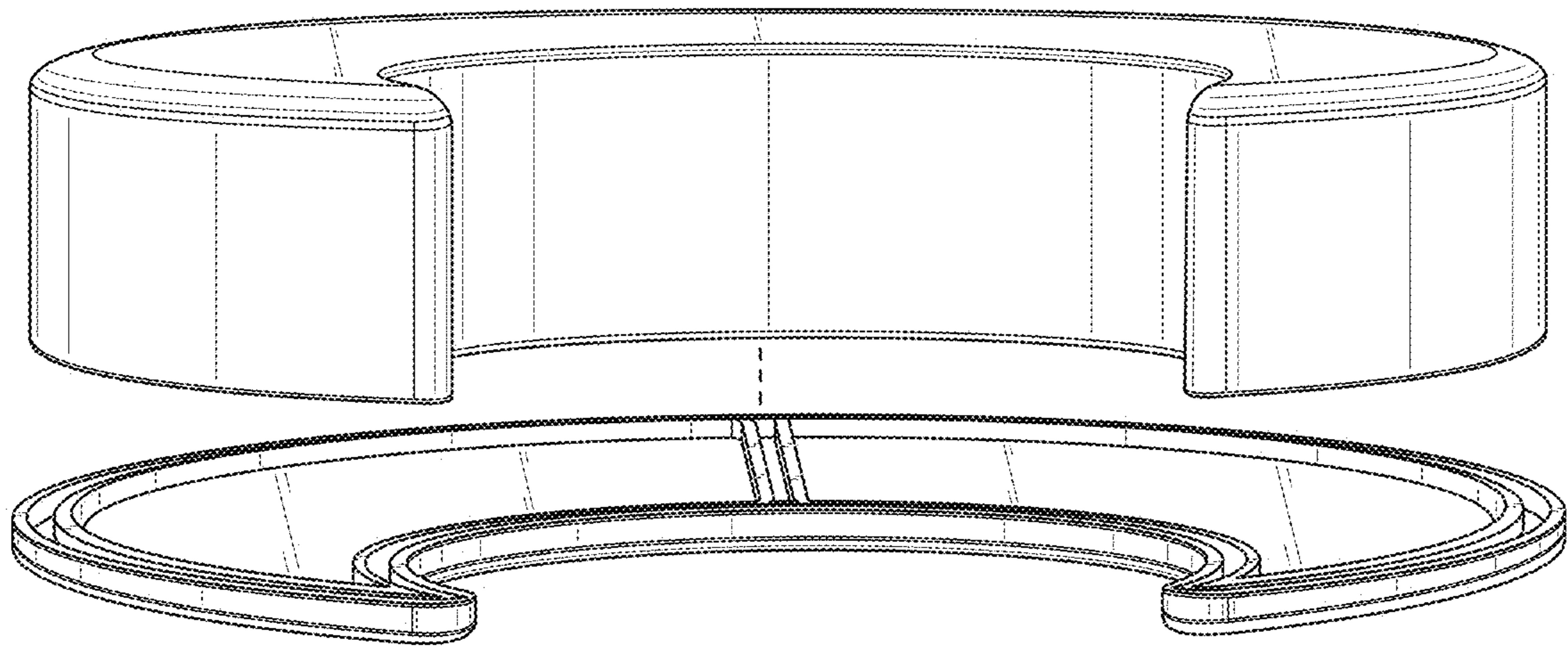


FIG. 9