



US00D887849S

(12) **United States Design Patent** (10) **Patent No.:** **US D887,849 S**
Van Skaik et al. (45) **Date of Patent:** **** Jun. 23, 2020**

(54) **BOTTLE**

(71) Applicant: **The Procter & Gamble Company**,
Cincinnati, OH (US)

(72) Inventors: **Elliott Michael Van Skaik**, Liberty
Township, OH (US); **Dennis Lee
Maclam**, Mason, OH (US); **Luis
Peraza**, New Albany, OH (US)

(73) Assignee: **The Procter & Gamble Company**,
Cincinnati, OH (US)

(**) Term: **15 Years**

(21) Appl. No.: **29/720,354**

(22) Filed: **Jan. 13, 2020**

(51) **LOC (12) Cl.** **09-01**

(52) **U.S. Cl.**
USPC **D9/542**; D9/566; D9/571; D9/574

(58) **Field of Classification Search**
USPC D9/434, 516, 530, 542, 549, 558,
D9/562–563, 566, 571, 574, 715, 719
(Continued)

(56) **References Cited**

U.S. PATENT DOCUMENTS

D30,758 S * 5/1899 Wipf D9/546
D222,433 S * 10/1971 Donoghue D9/542
(Continued)

FOREIGN PATENT DOCUMENTS

KR 20090118716 A 11/2009

OTHER PUBLICATIONS

U.S. Appl. No. 29/720,389, filed Jan. 13, 2020, Van Skaik et al.
(Continued)

Primary Examiner — Dana Meyrow

(74) *Attorney, Agent, or Firm* — Amanda Herman
Berghauer

(57) **CLAIM**

The ornamental design for a bottle, as shown and described.

DESCRIPTION

FIG. 1 is a perspective view of a first embodiment of a
bottle;

FIG. 2 is a front view thereof;

FIG. 3 is a right side view thereof;

FIG. 4 is a rear view thereof;

FIG. 5 is a left side view thereof;

FIG. 6 is a top view thereof;

FIG. 7 is a bottom view thereof;

FIG. 8 is a perspective view of a second embodiment of a
translucent or transparent bottle;

FIG. 9 is a front view thereof;

FIG. 10 is a right side view thereof;

FIG. 11 is a rear view thereof;

FIG. 12 is a left side view thereof;

FIG. 13 is a top view thereof;

FIG. 14 is a bottom view thereof;

FIG. 15 is a perspective view of a third embodiment of a
bottle;

FIG. 16 is a front view thereof;

FIG. 17 is a right side view thereof;

FIG. 18 is a rear view thereof;

FIG. 19 is a left side view thereof;

FIG. 20 is a top view thereof;

FIG. 21 is a bottom view thereof;

FIG. 22 is a perspective view of a fourth embodiment of a
translucent or transparent bottle;

FIG. 23 is a front view thereof;

FIG. 24 is a right side view thereof;

FIG. 25 is a rear view thereof;

FIG. 26 is a left side view thereof;

FIG. 27 is a top view thereof;

FIG. 28 is a bottom view thereof;

FIG. 29 is a perspective view of a fifth embodiment of a
bottle;

FIG. 30 is a front view thereof;

FIG. 31 is a right side view thereof;

(Continued)

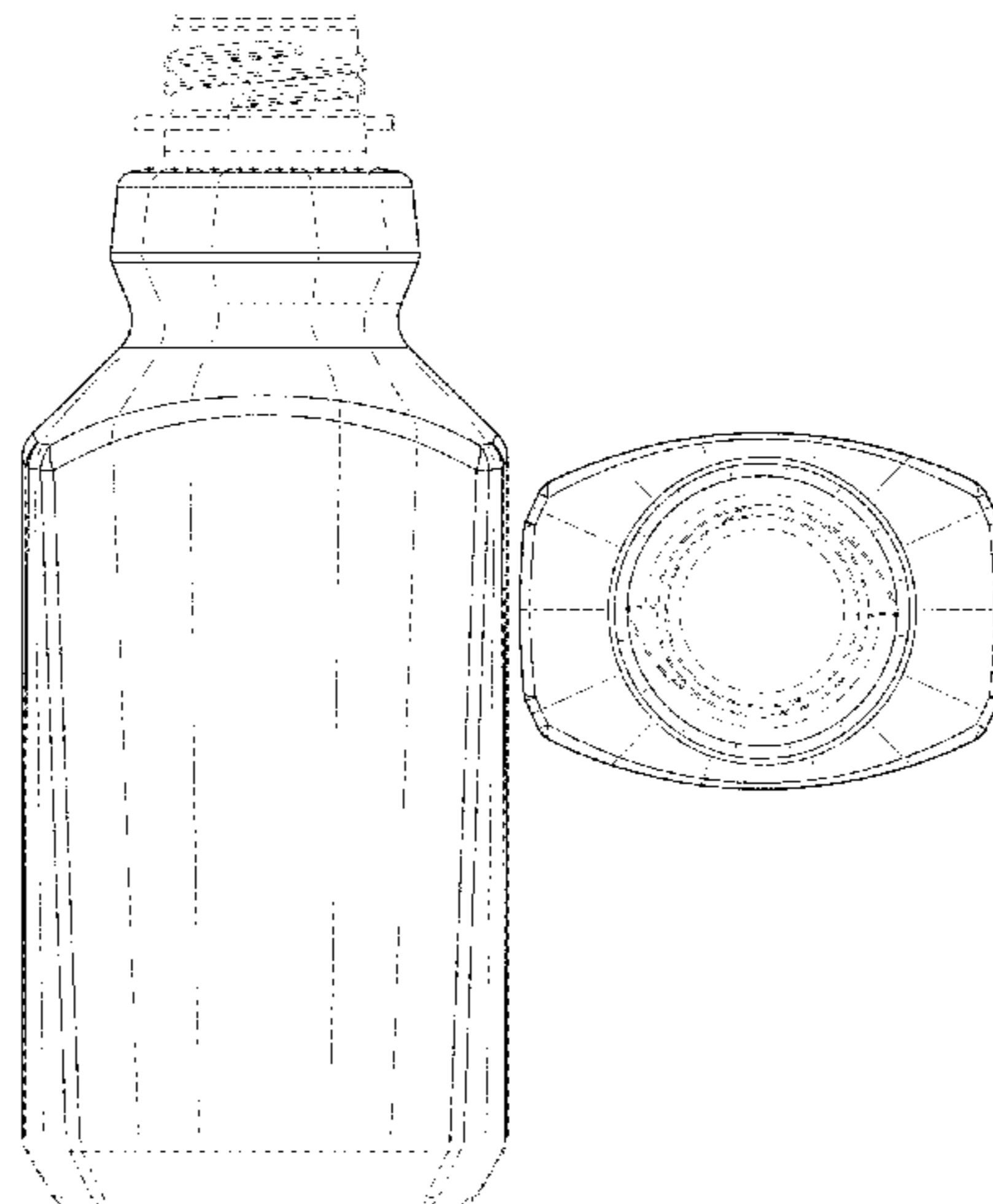


FIG. 32 is a rear view thereof;
 FIG. 33 is a left side view thereof;
 FIG. 34 is a top view thereof;
 FIG. 35 is a bottom view thereof;
 FIG. 36 is a perspective view of a sixth embodiment of a translucent or transparent bottle;
 FIG. 37 is a front view thereof;
 FIG. 38 is a right side view thereof;
 FIG. 39 is a rear view thereof;
 FIG. 40 is a left side view thereof;
 FIG. 41 is a top view thereof; and,
 FIG. 42 is a bottom view thereof.
 The broken lines in the drawings illustrate the portions of the bottle that form no part of the claimed design.

1 Claim, 18 Drawing Sheets

(58) **Field of Classification Search**
 CPC B65D 1/00; B65D 1/02; B65D 1/0223;
 B65D 23/00; B65D 51/32; B65D
 2501/00; B65D 2501/0009; B65D
 2501/0081
 See application file for complete search history.

(56)

References Cited

U.S. PATENT DOCUMENTS

D263,025	S	*	2/1982	Schoeneck	D9/542
D278,118	S	*	3/1985	Hoyt	D9/436
D308,483	S	*	6/1990	Weckman	D9/542
D472,472	S	*	4/2003	Meeker	D9/563
D553,001	S	*	10/2007	Granitz	D9/574
D577,593	S	*	9/2008	Hestehave	D9/452
D578,007	S	*	10/2008	Hestehave	D9/453
D578,399	S	*	10/2008	Hestehave	D9/452
D579,338	S	*	10/2008	Hestehave	D9/452
D584,634	S	*	1/2009	Perez	D9/542
D600,565	S	*	9/2009	Kuzma	D9/563
D674,284	S	*	1/2013	Harris	D9/520
D676,329	S	*	2/2013	Yourist	D9/541
D759,492	S	*	6/2016	Dominick	D9/542
D770,902	S	*	11/2016	Vaughn-Batiz	D9/560
D831,494	S	*	10/2018	Smith	D9/560

OTHER PUBLICATIONS

U.S. Appl. No. 29/720,396, filed Jan. 13, 2020, Van Skaik et al.
 U.S. Appl. No. 29/720,397, filed Jan. 13, 2020, Van Skaik et al.
 U.S. Appl. No. 62/960,170, filed Jan. 13, 2020, Van Skaik et al.

* cited by examiner

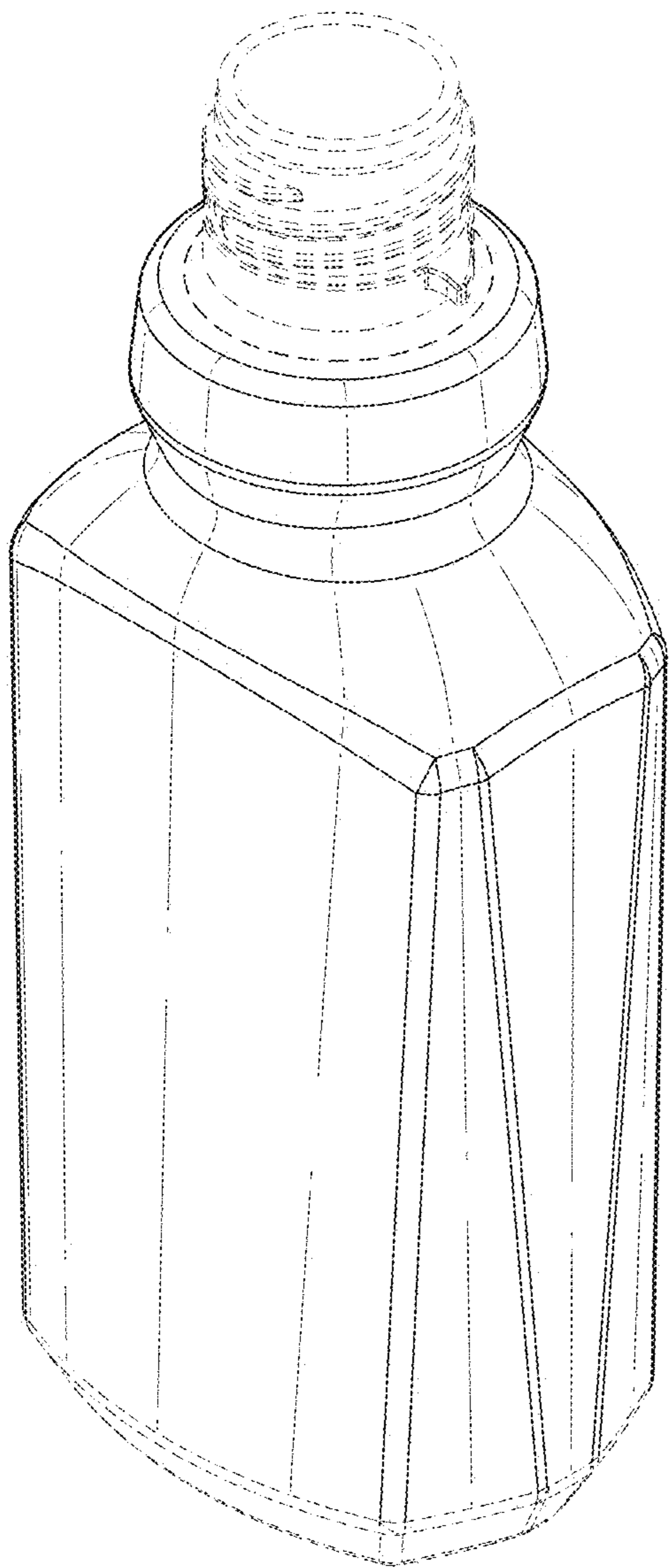


FIG. 1

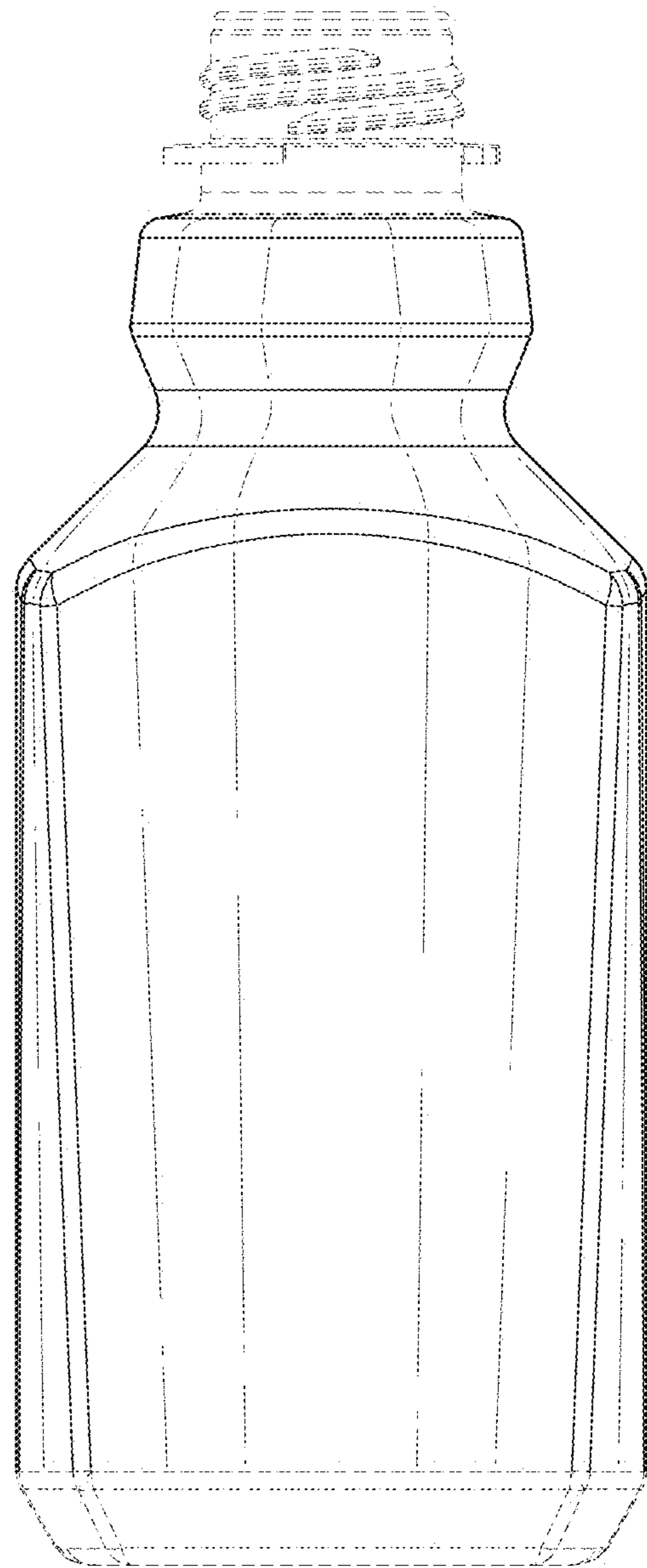


FIG. 2

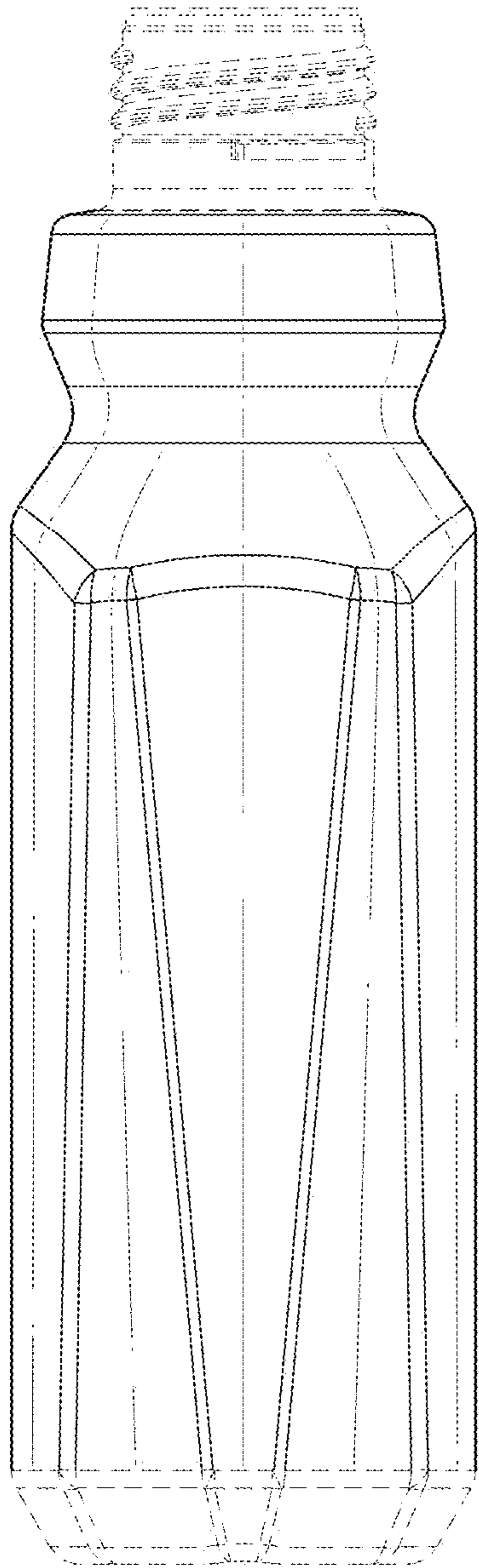


FIG. 3

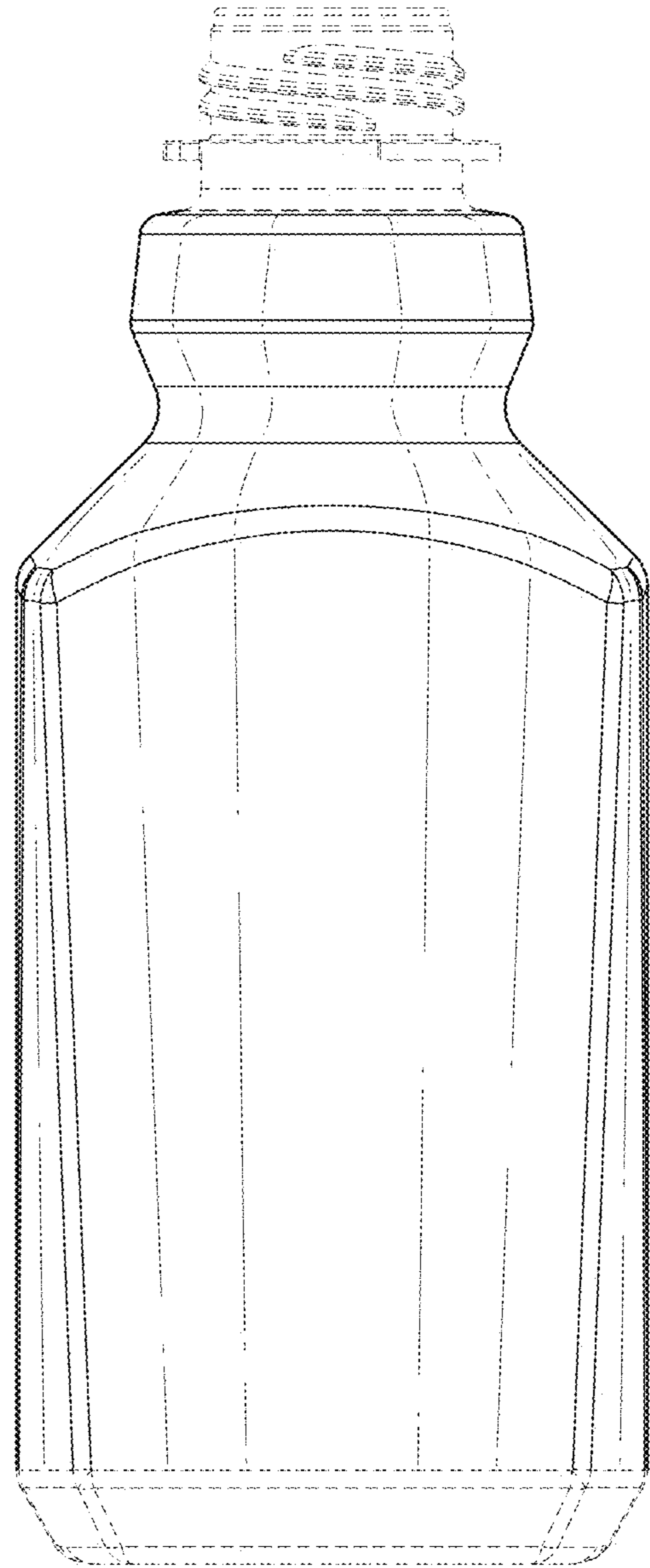


FIG. 4

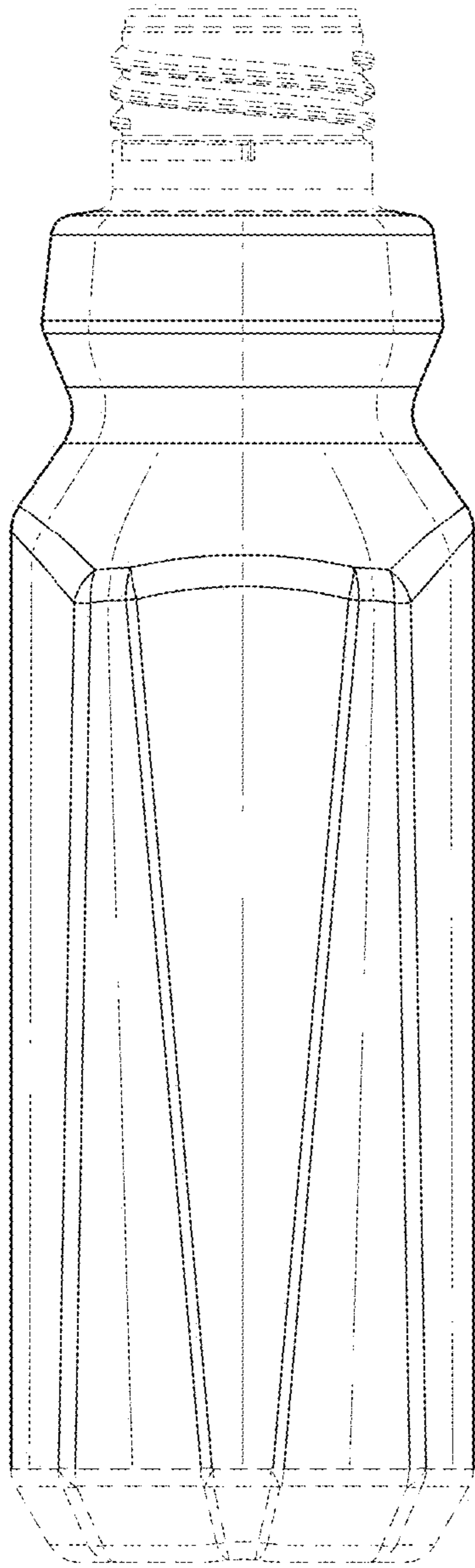


FIG. 5

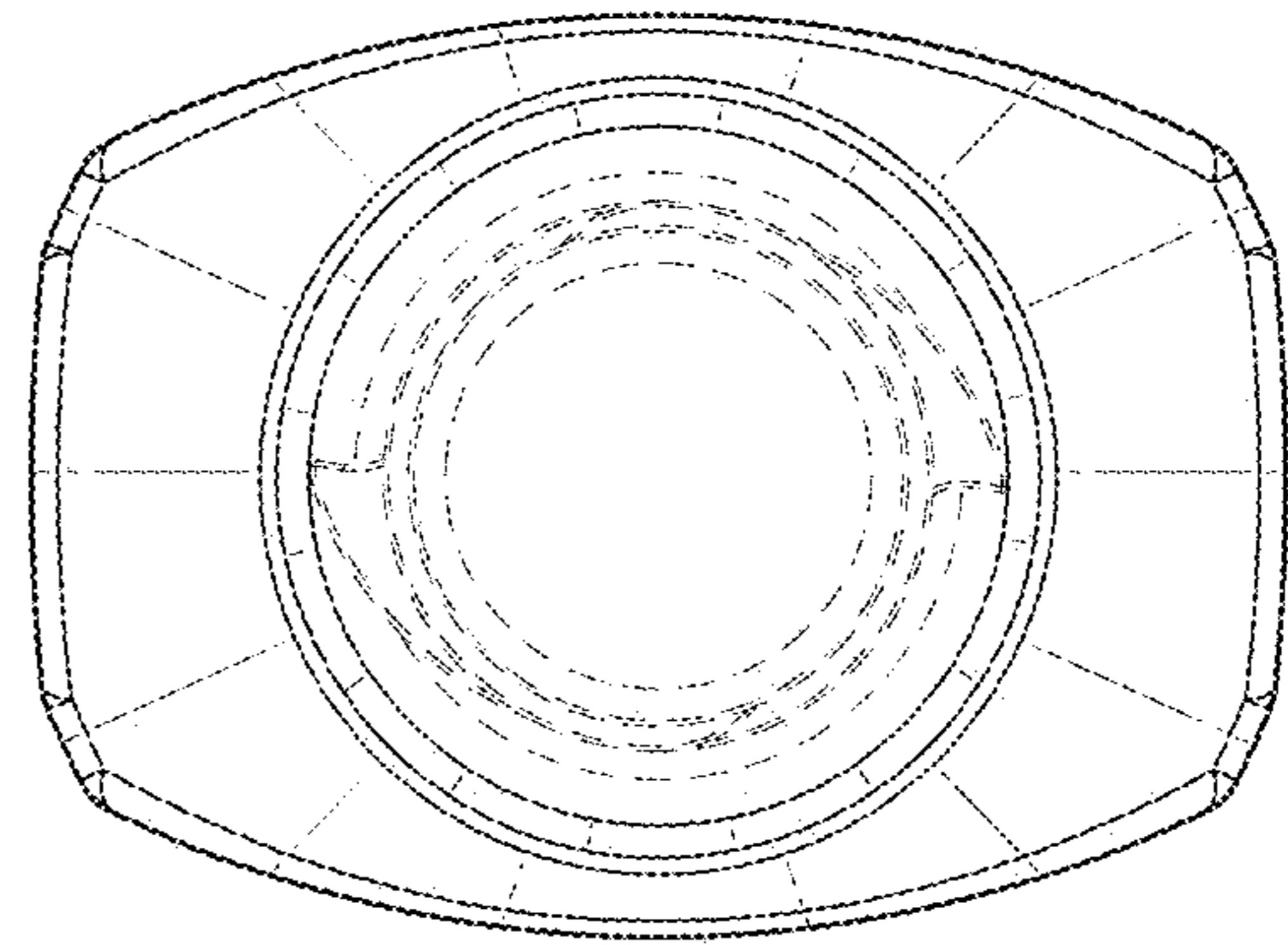


FIG. 6

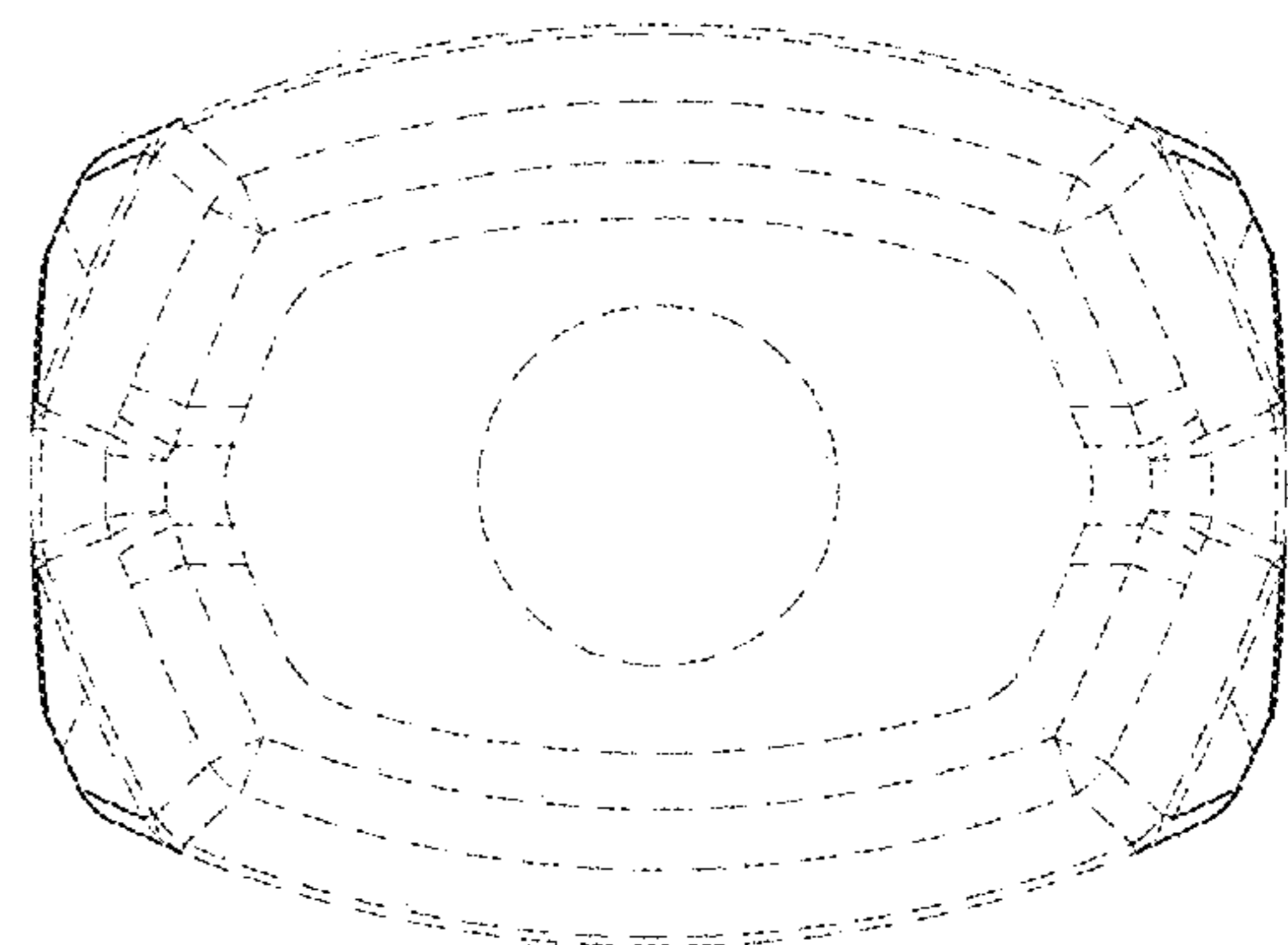


FIG. 7

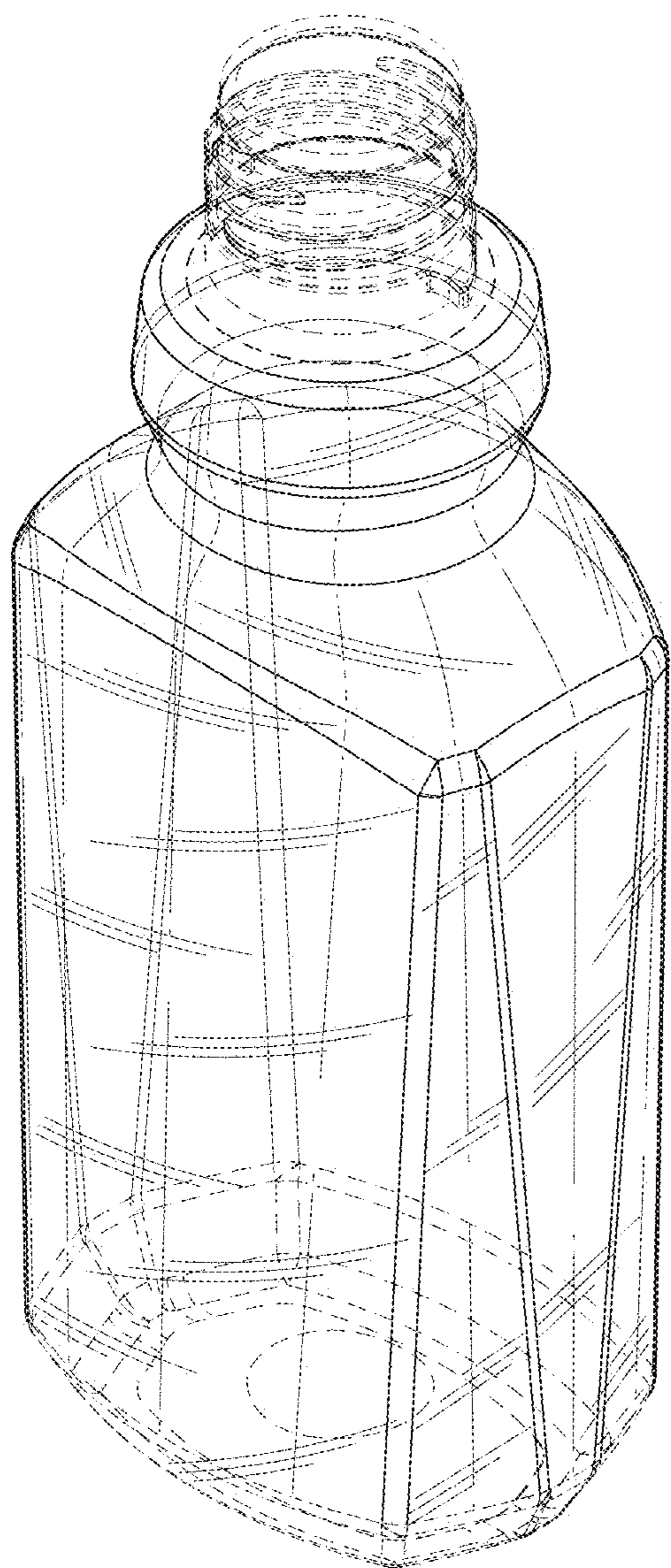


FIG. 8

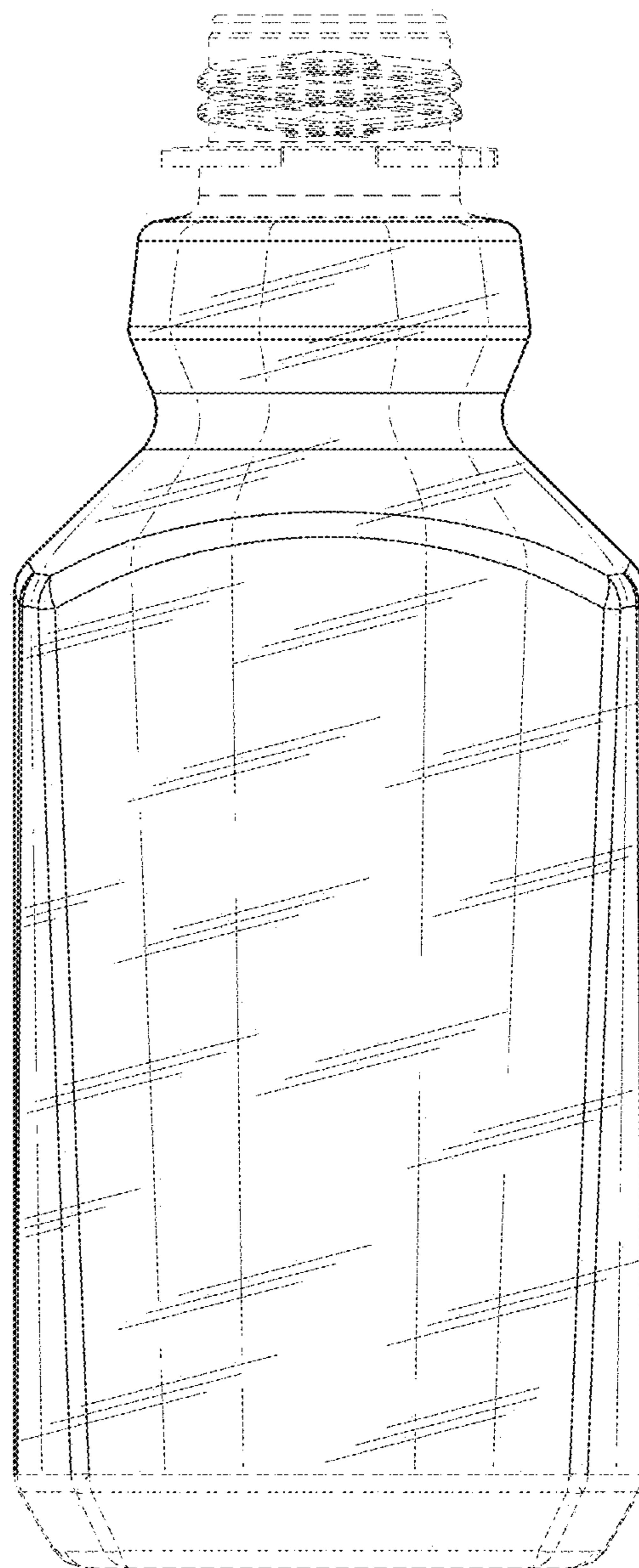


FIG. 9

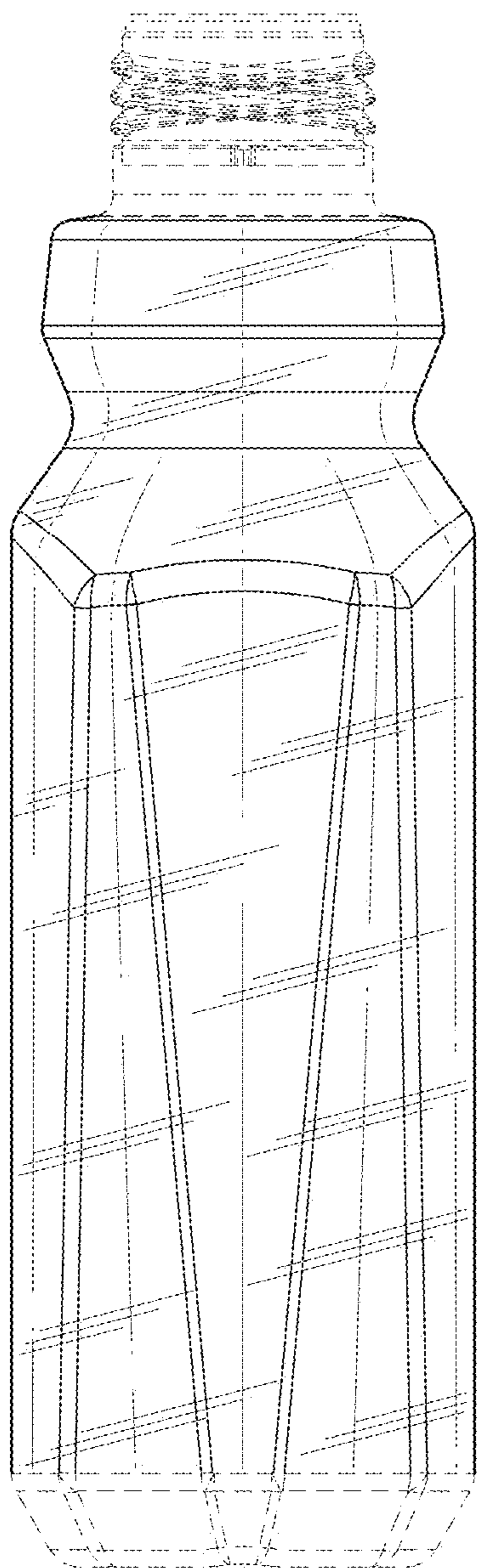


FIG. 10

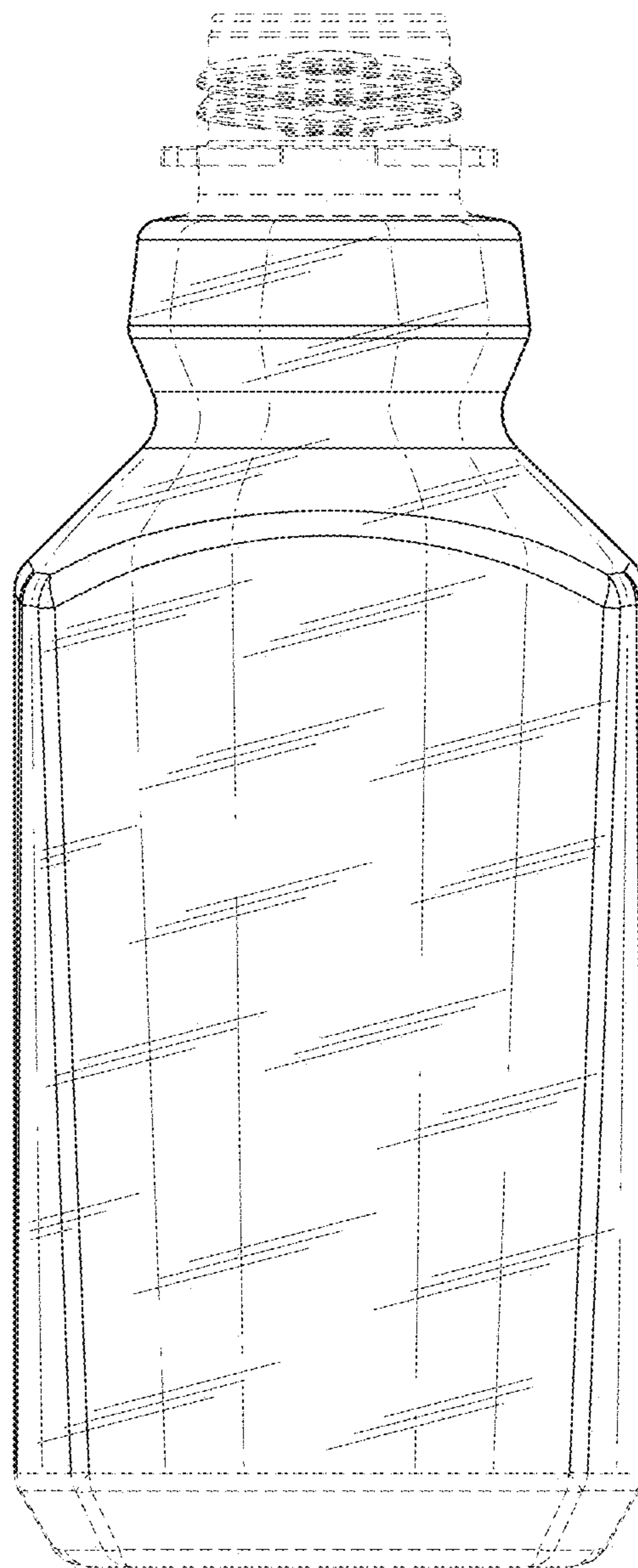


FIG. 11

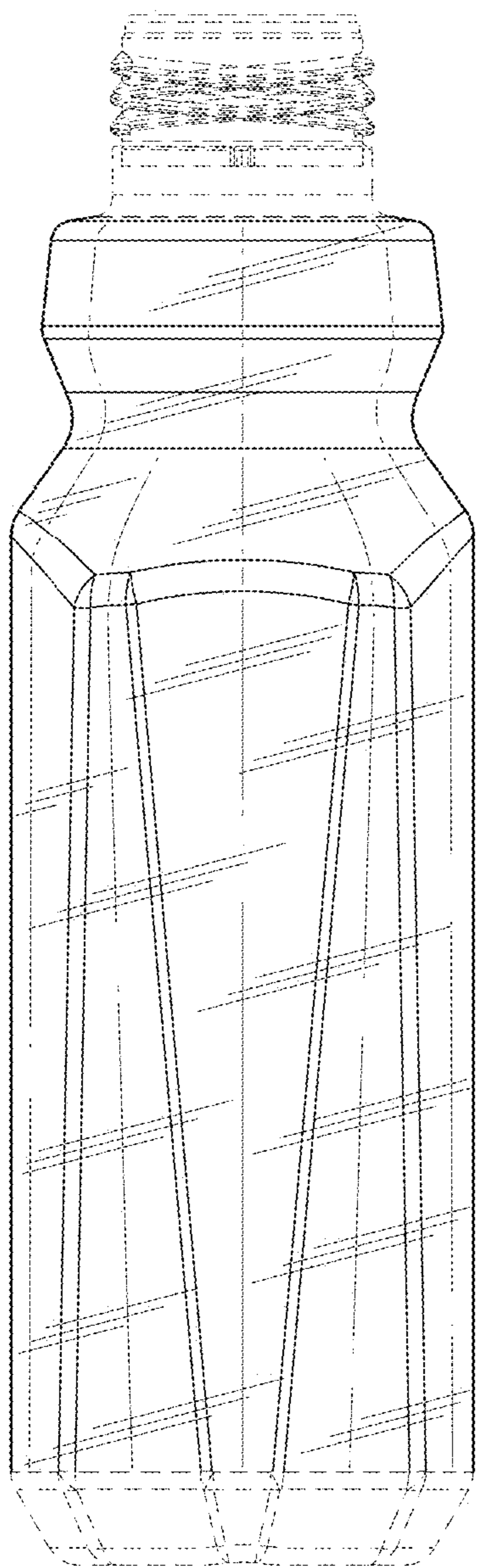


FIG. 12

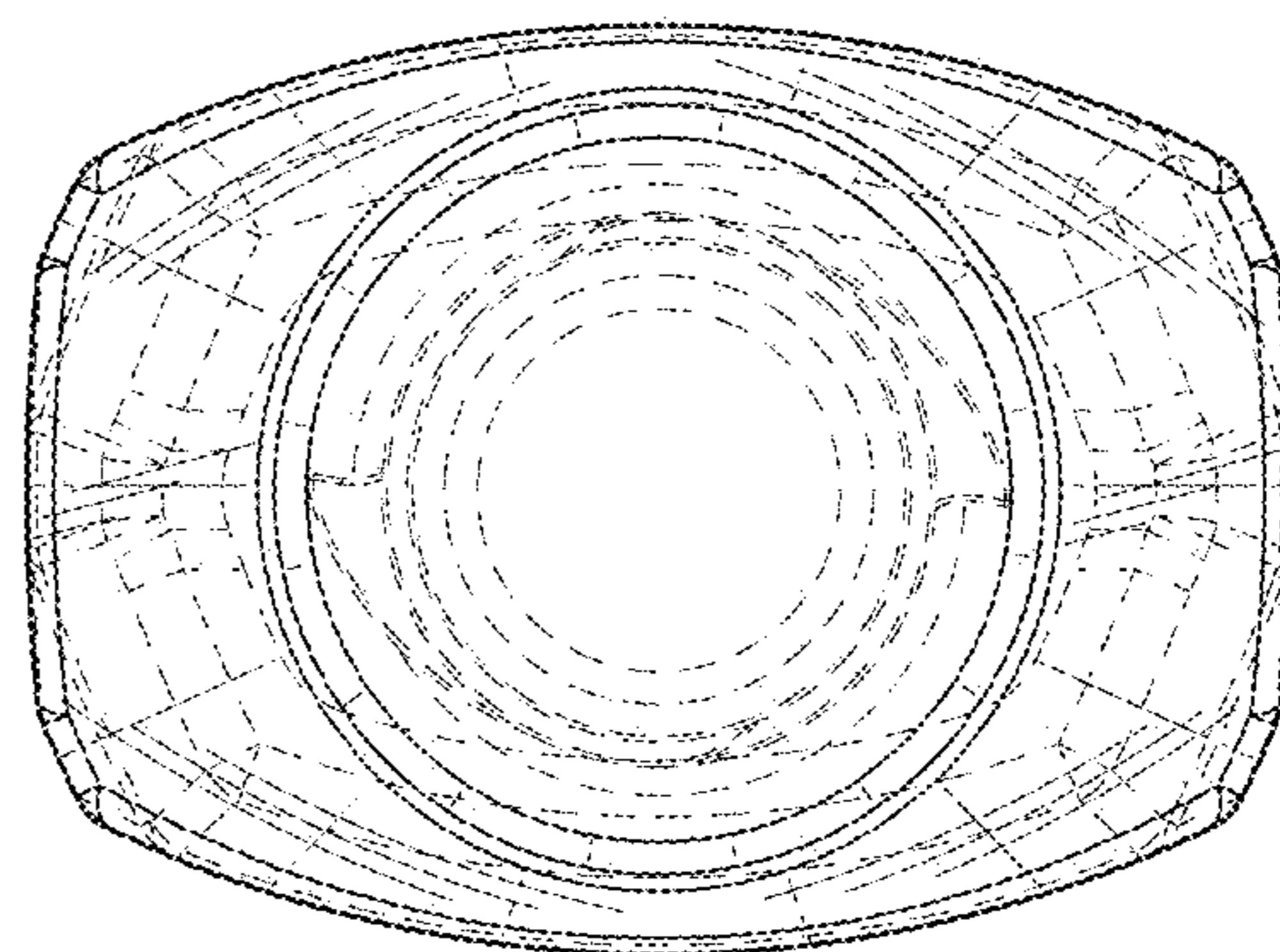


FIG. 13

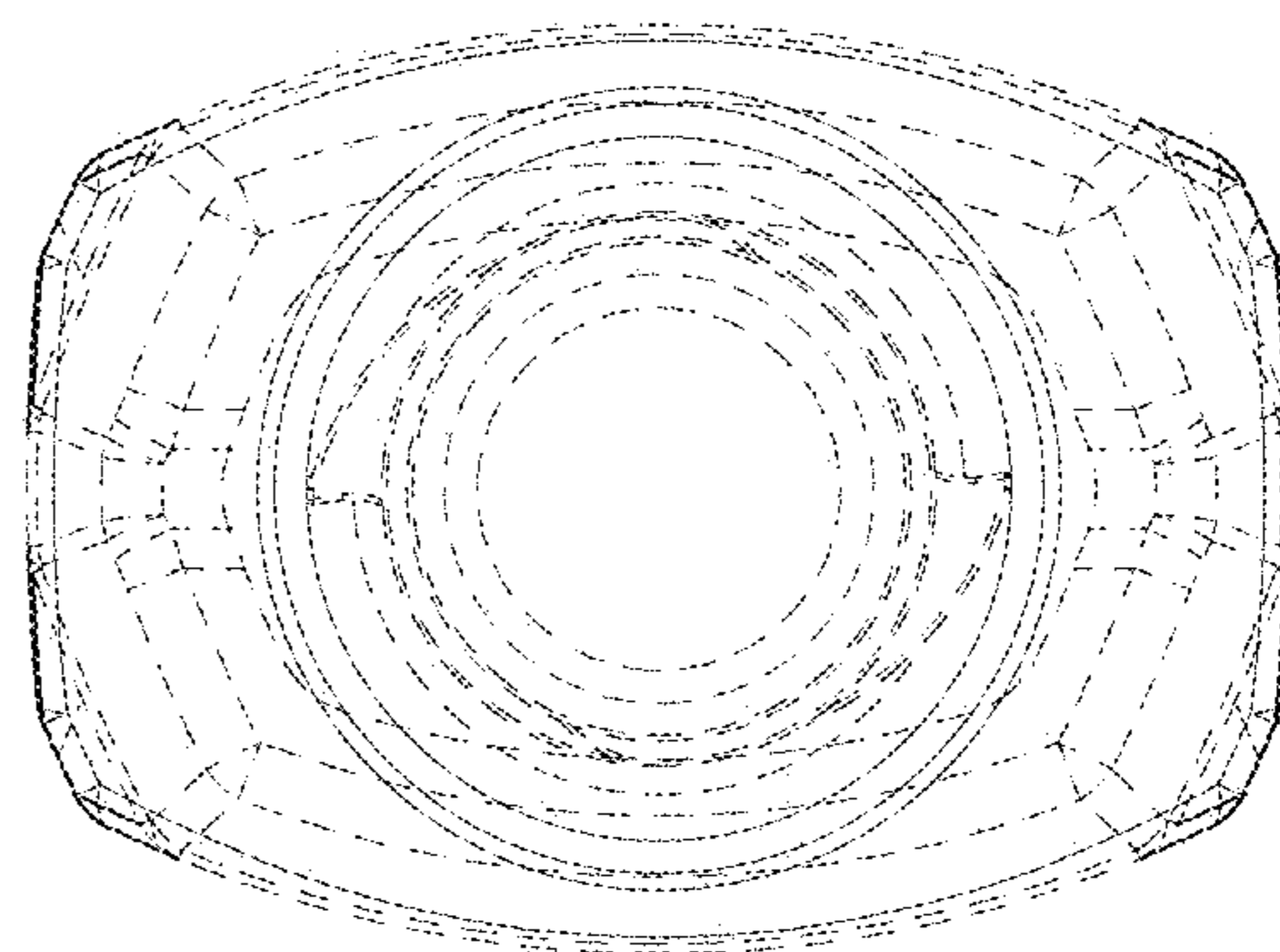


FIG. 14

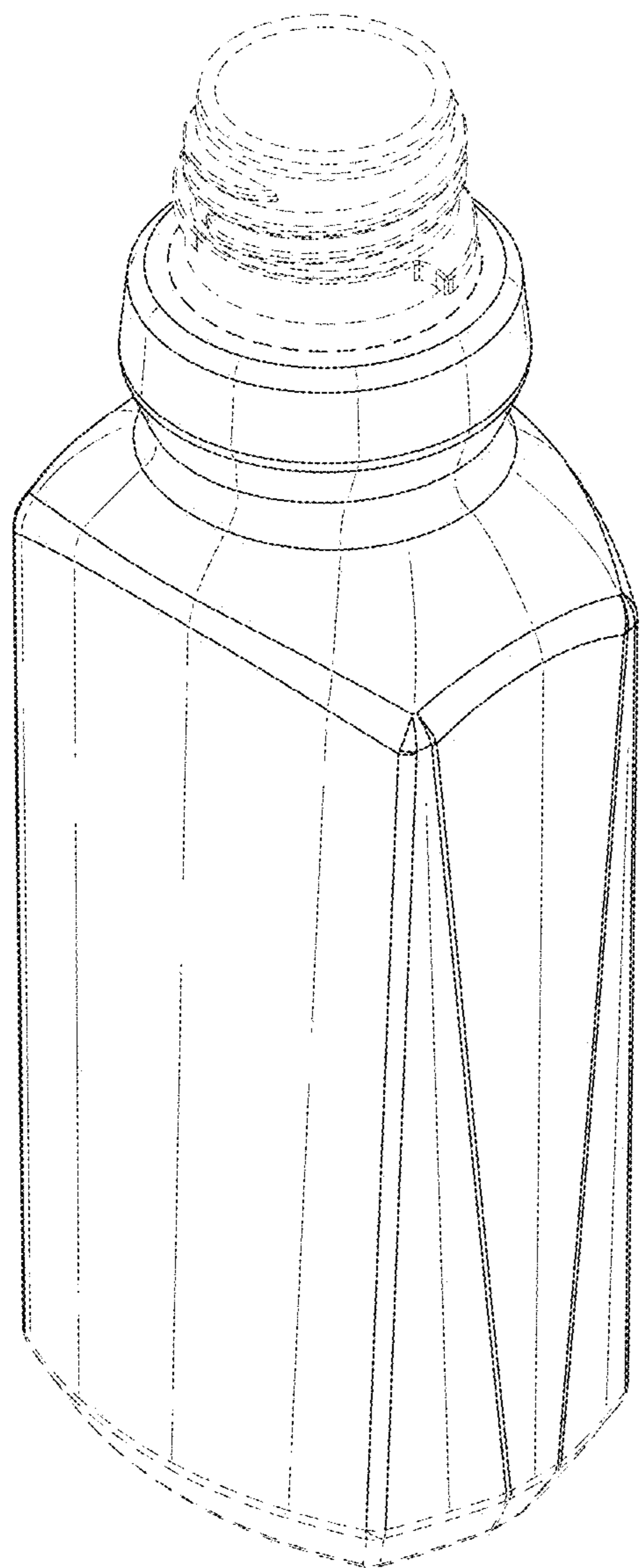


FIG. 15

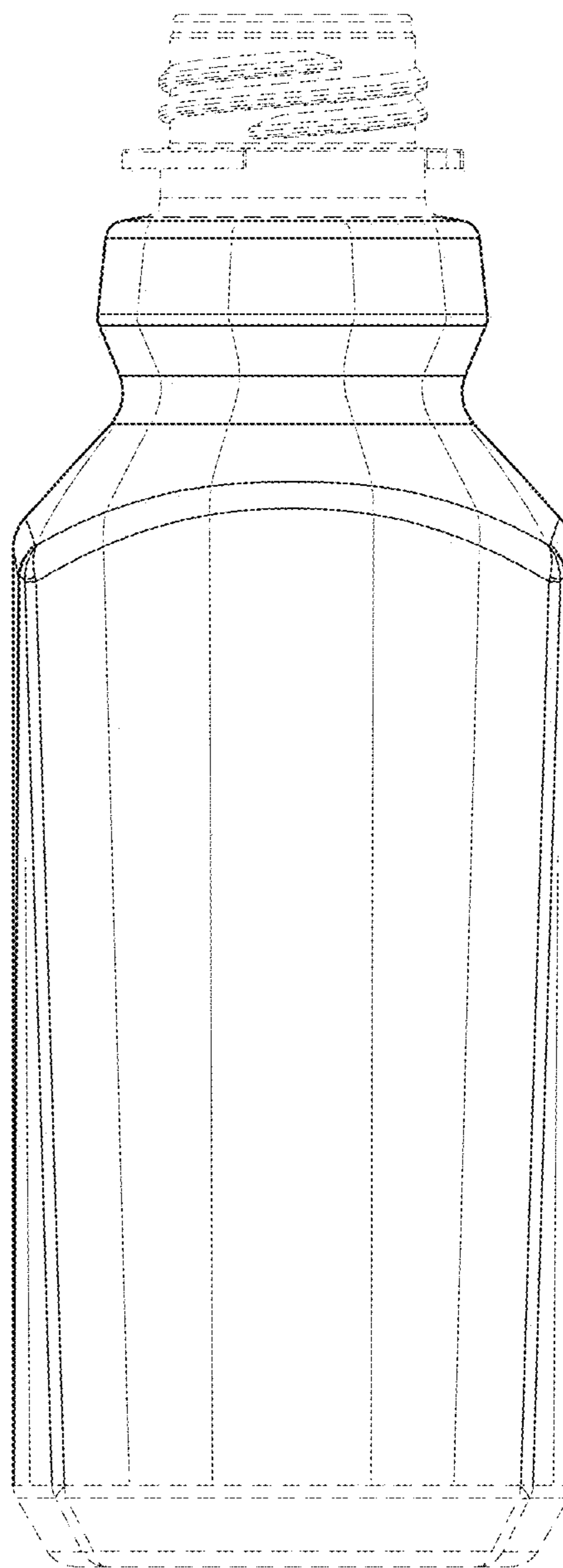


FIG. 16

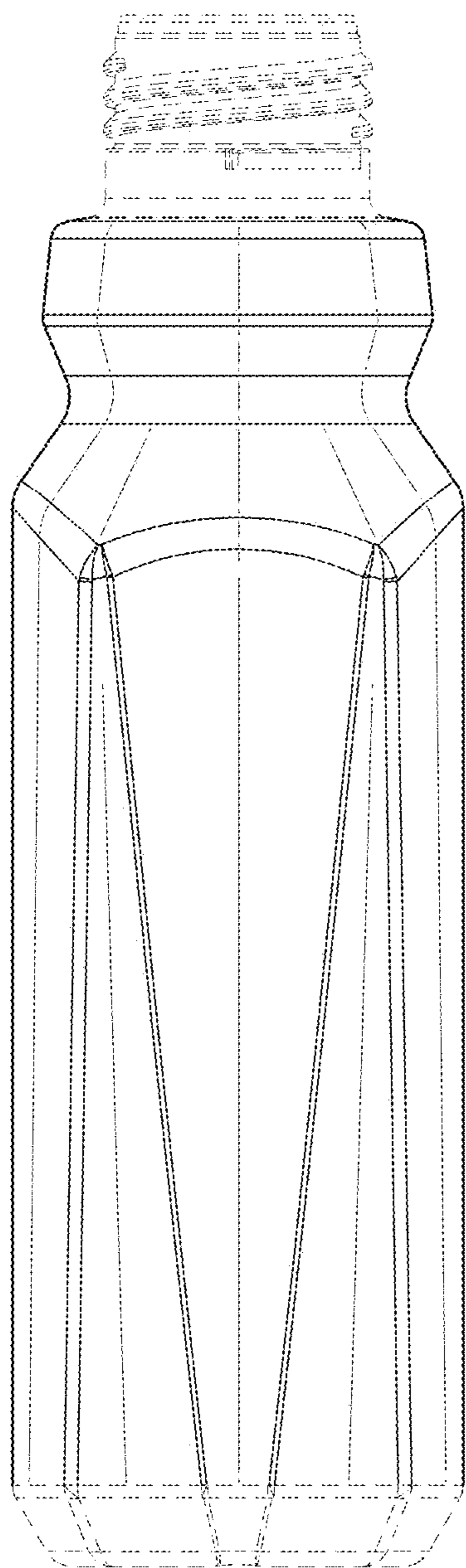


FIG. 17

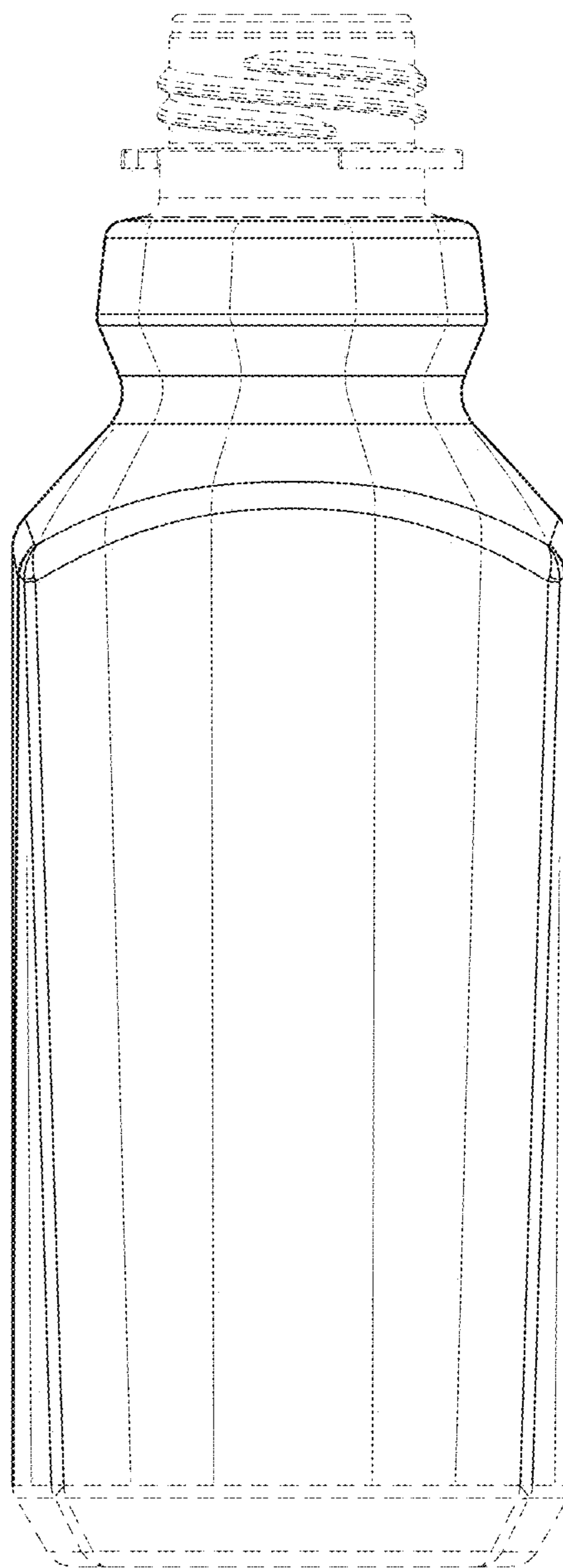


FIG. 18

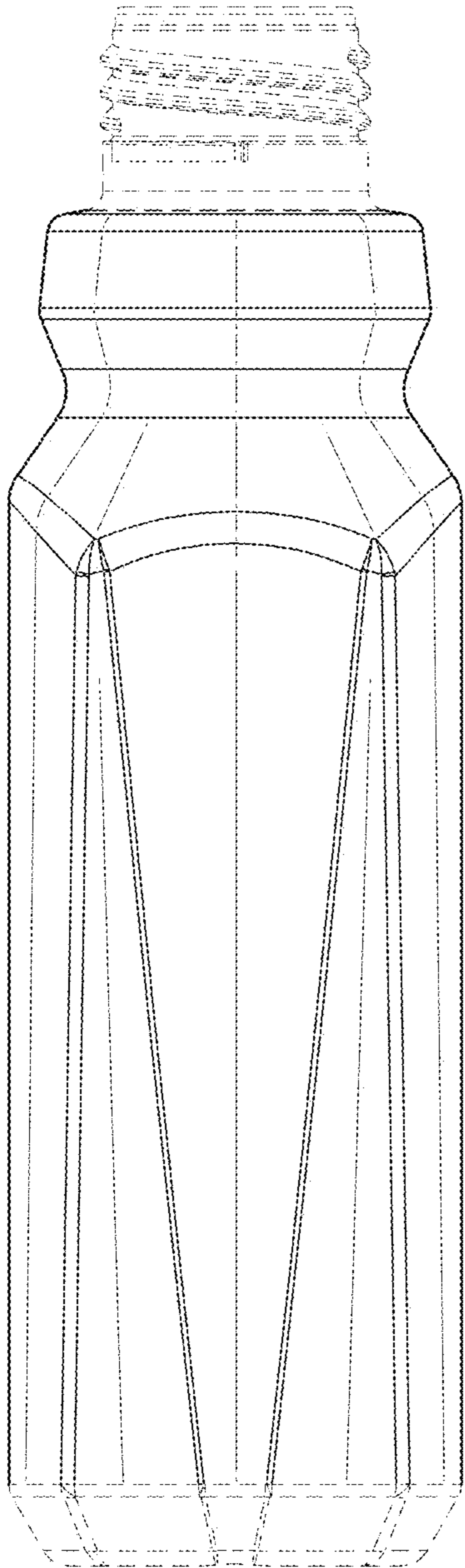


FIG. 19

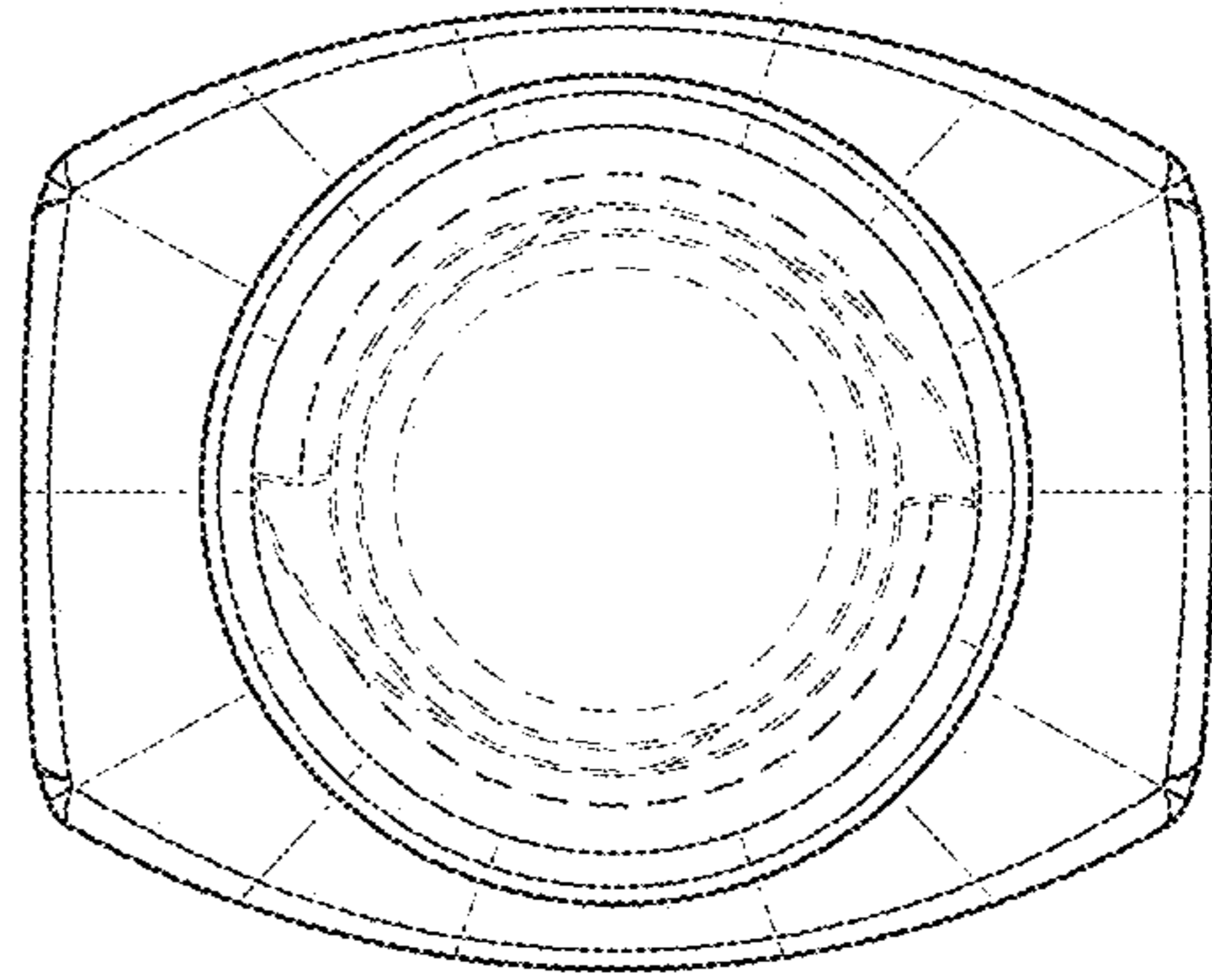


FIG. 20

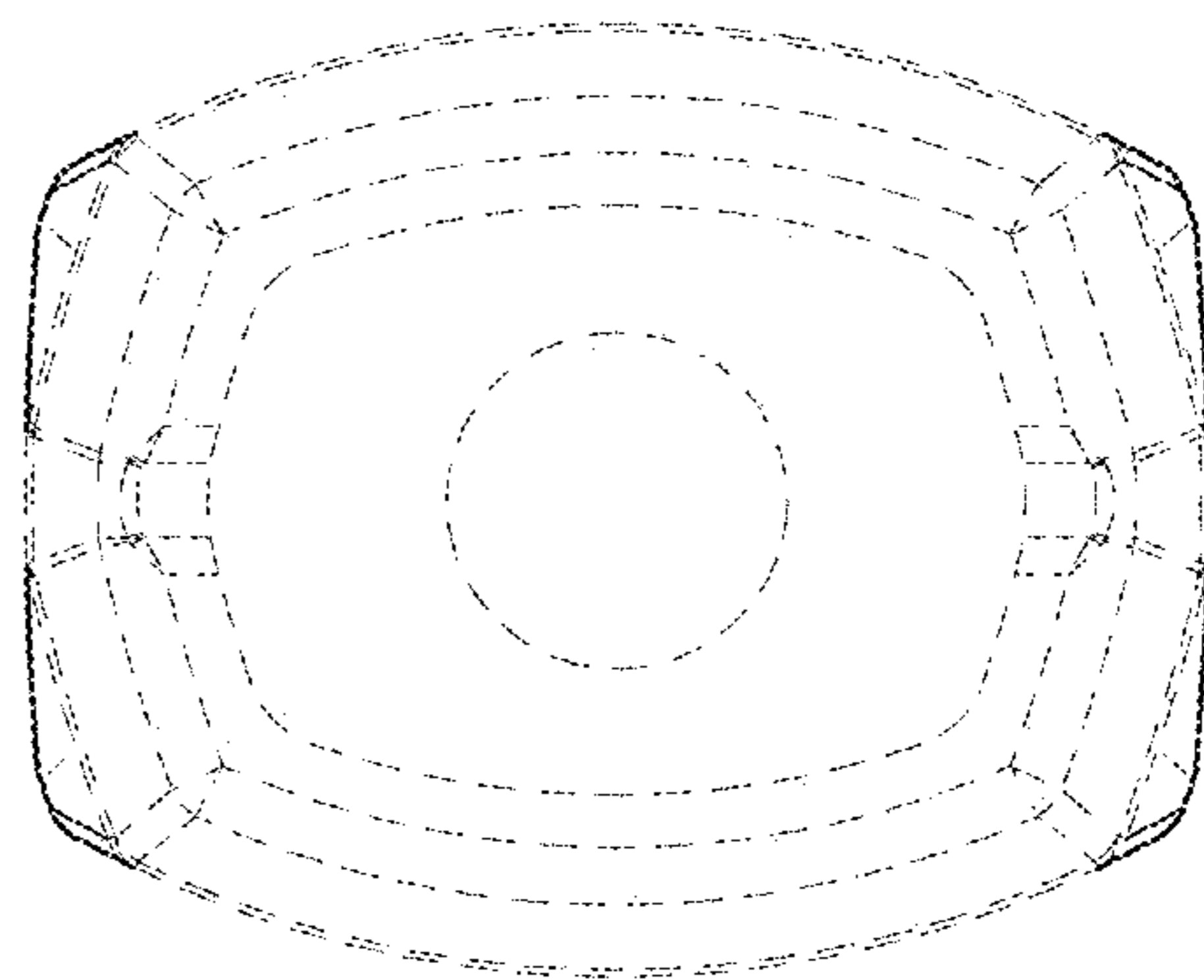


FIG. 21

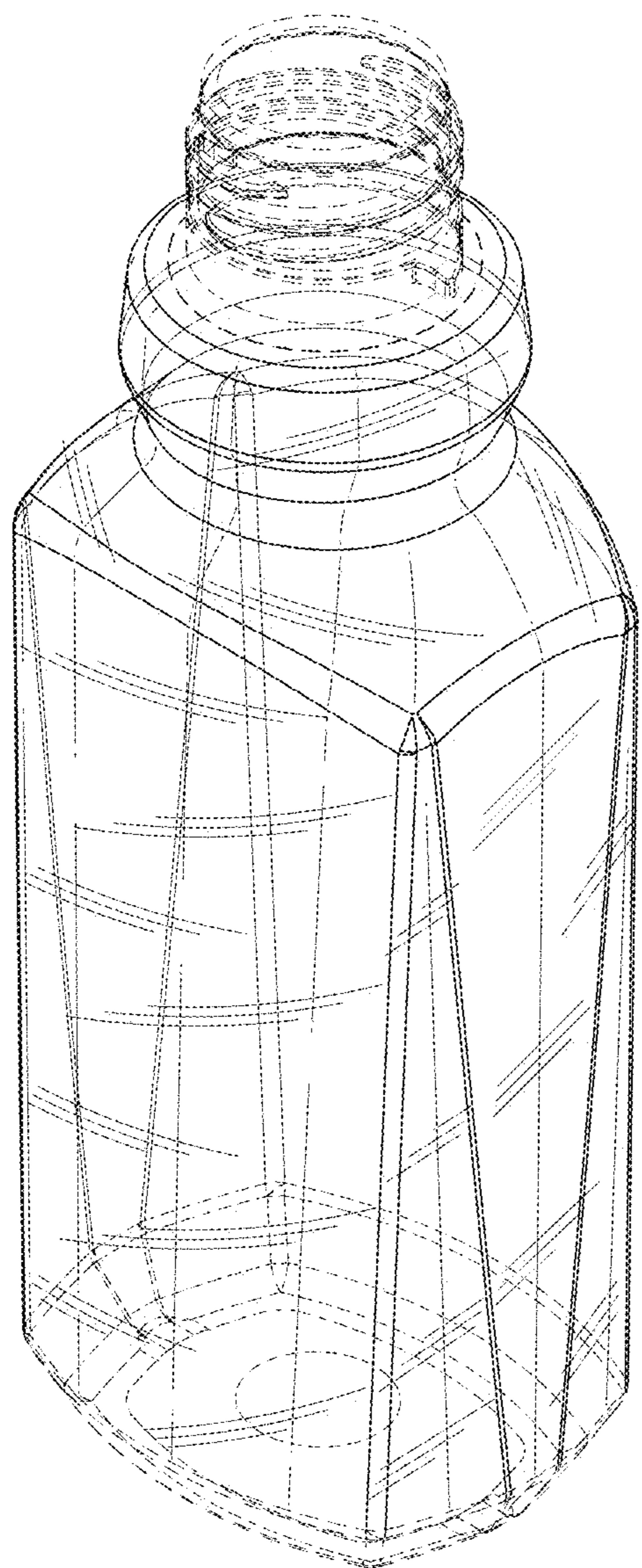


FIG. 22

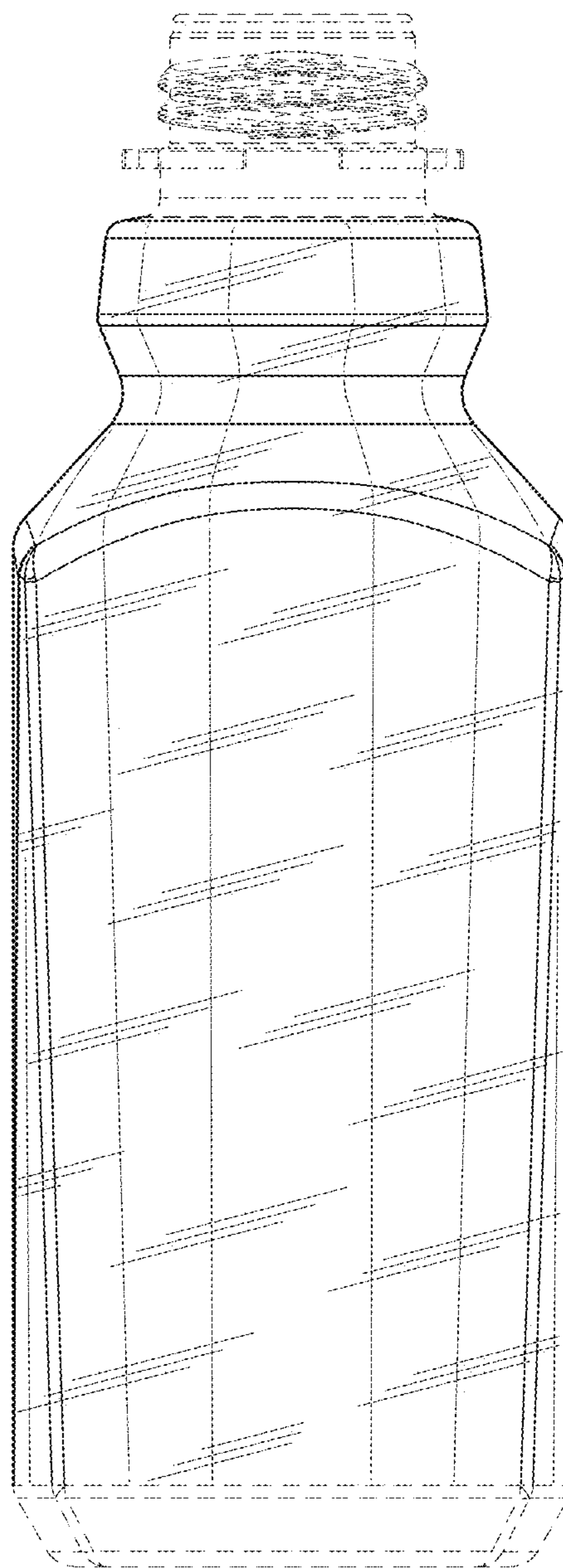


FIG. 23

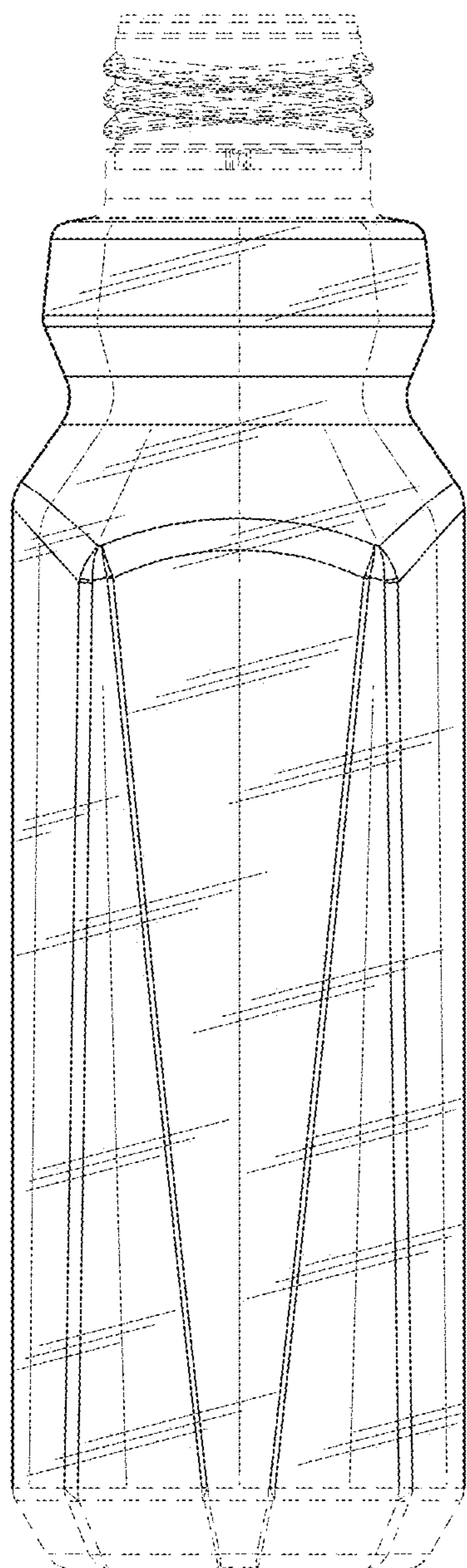


FIG. 24

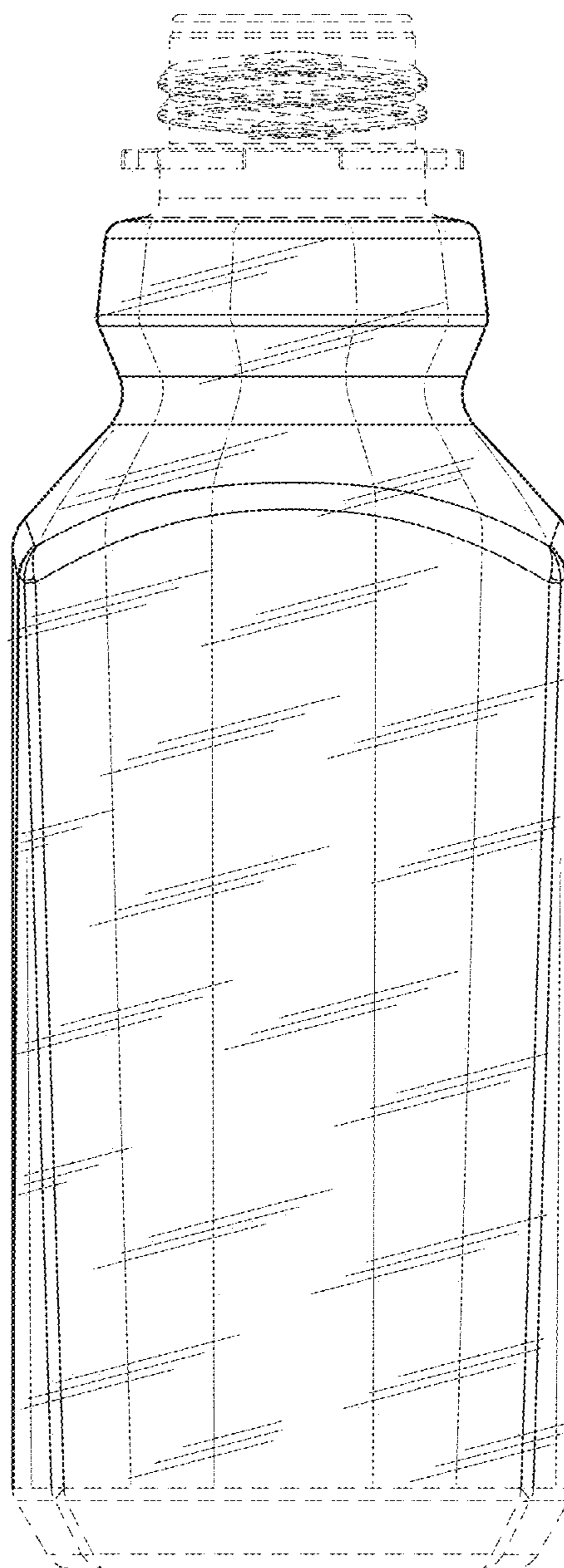


FIG. 25

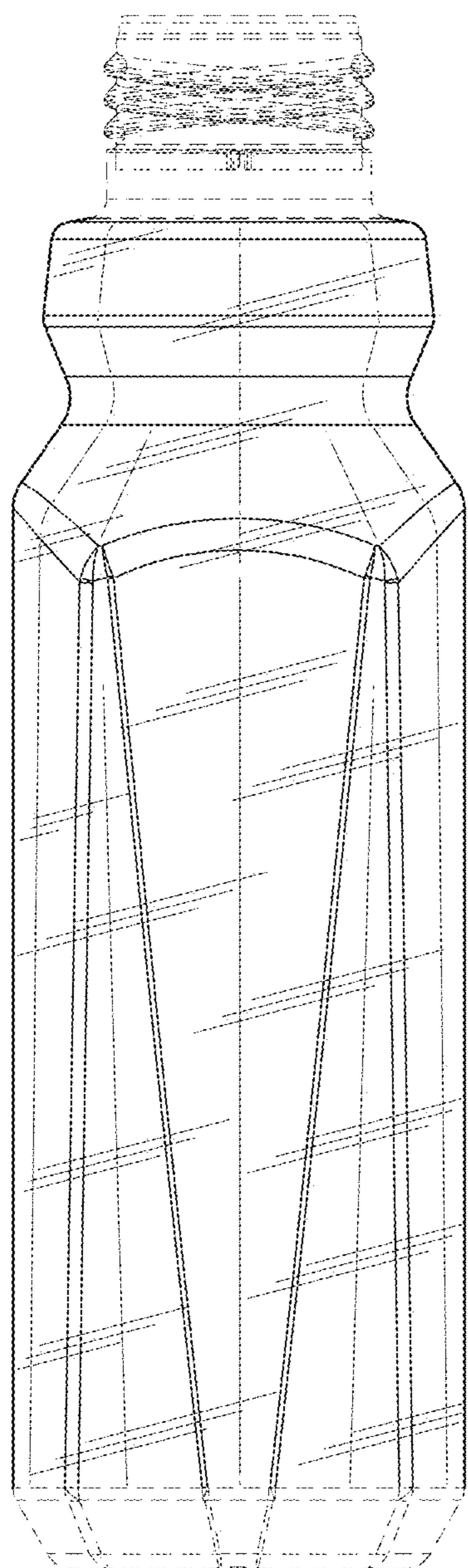


FIG. 26

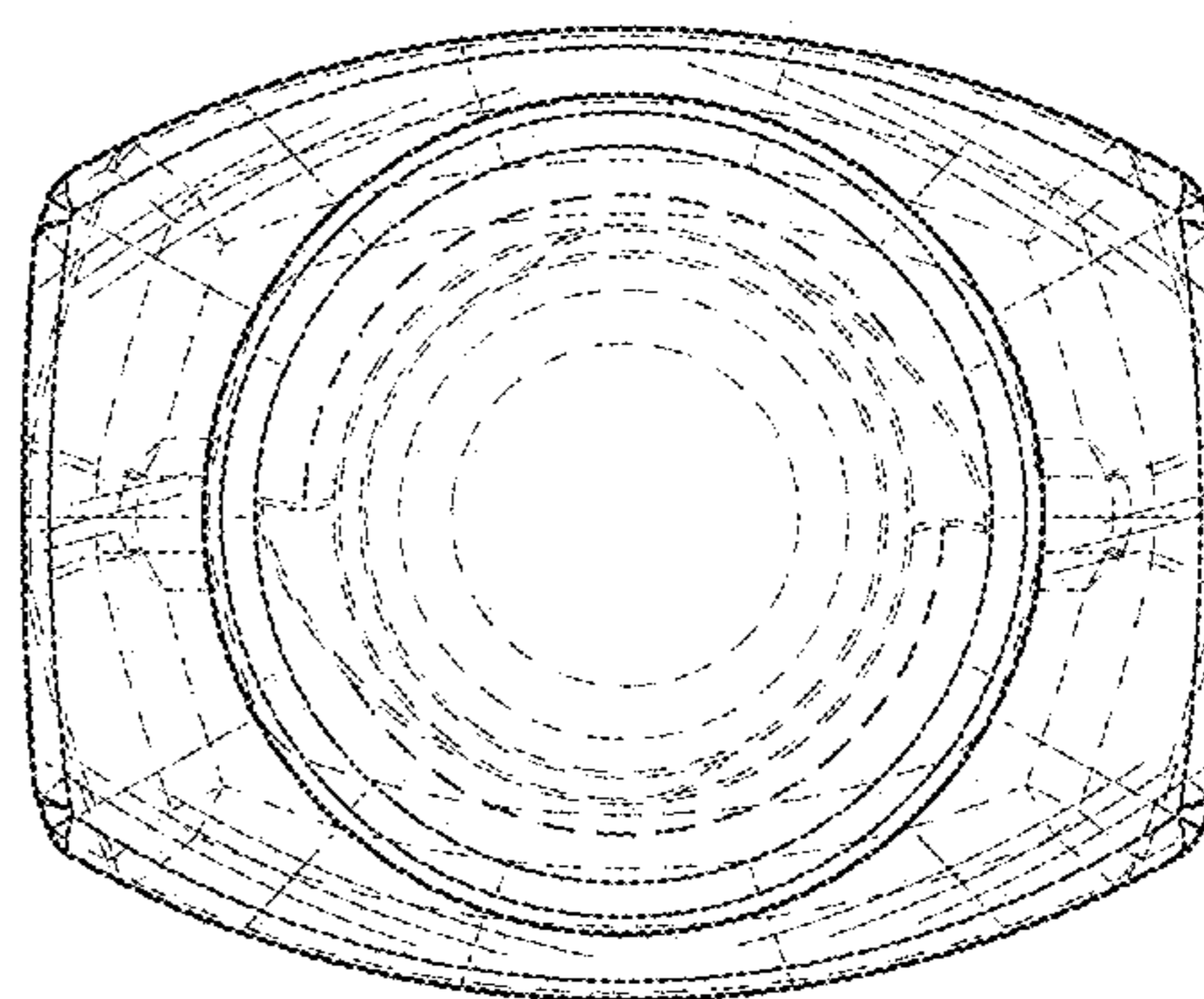


FIG. 27

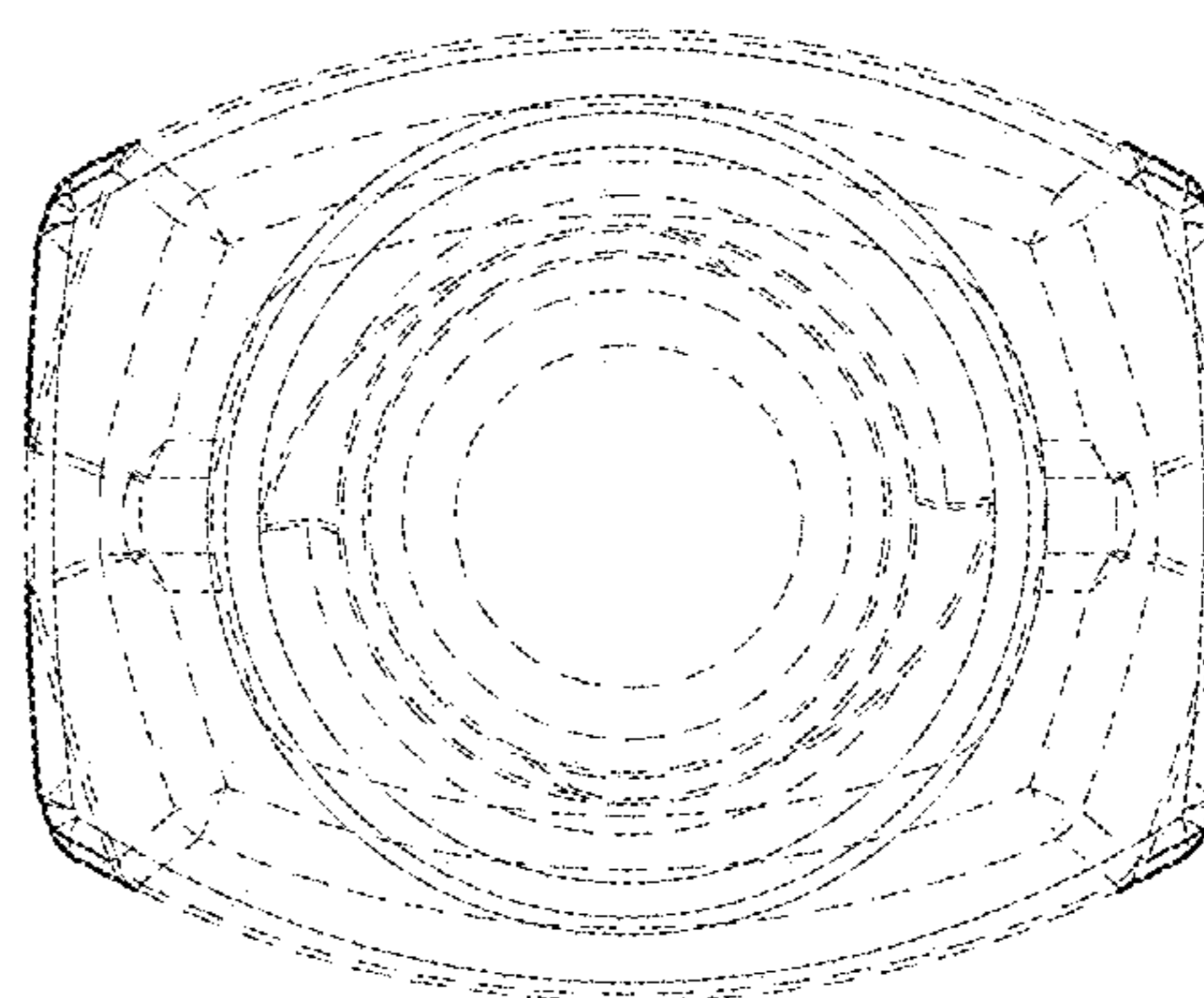


FIG. 28

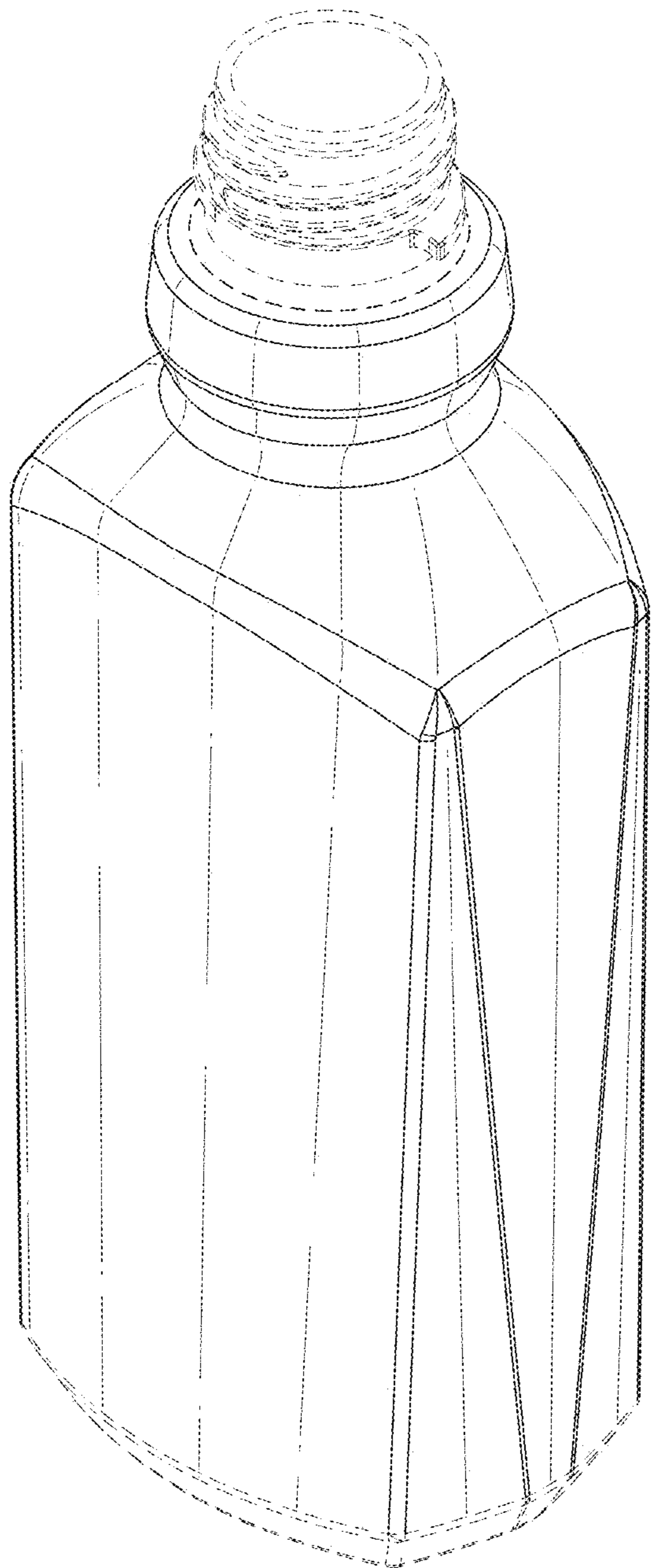


FIG. 29

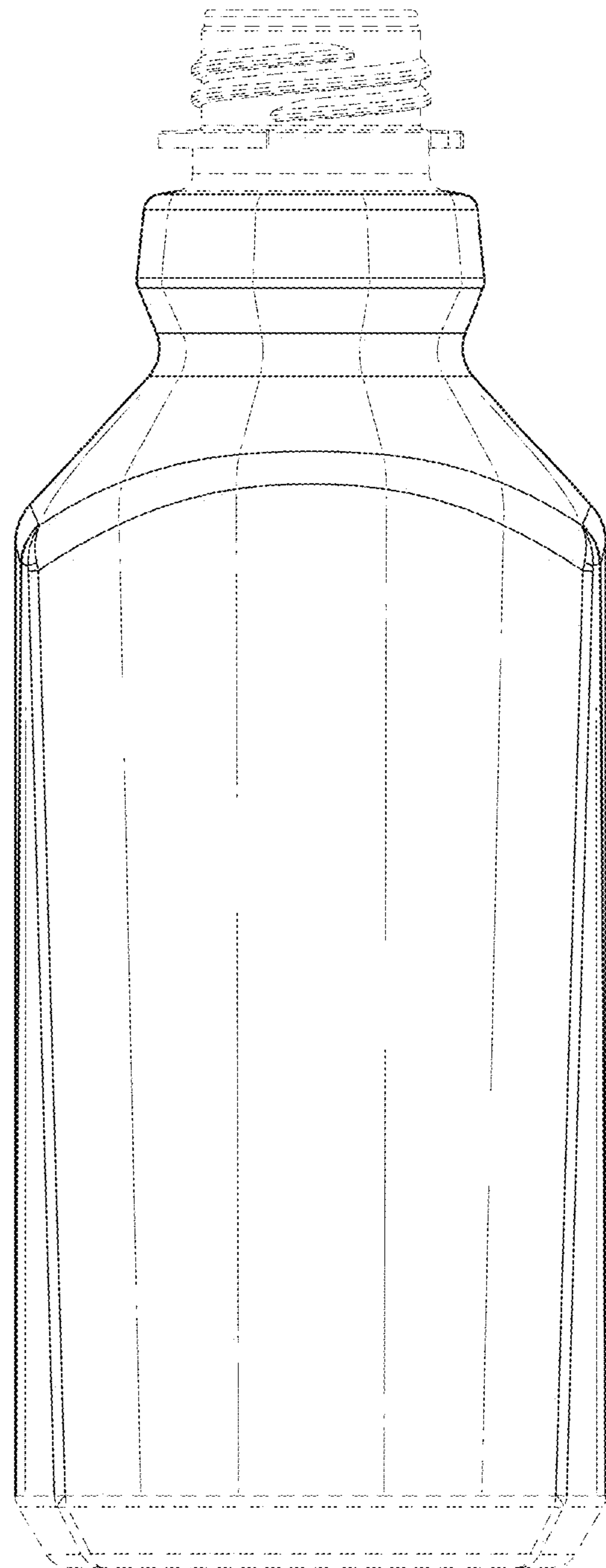


FIG. 30

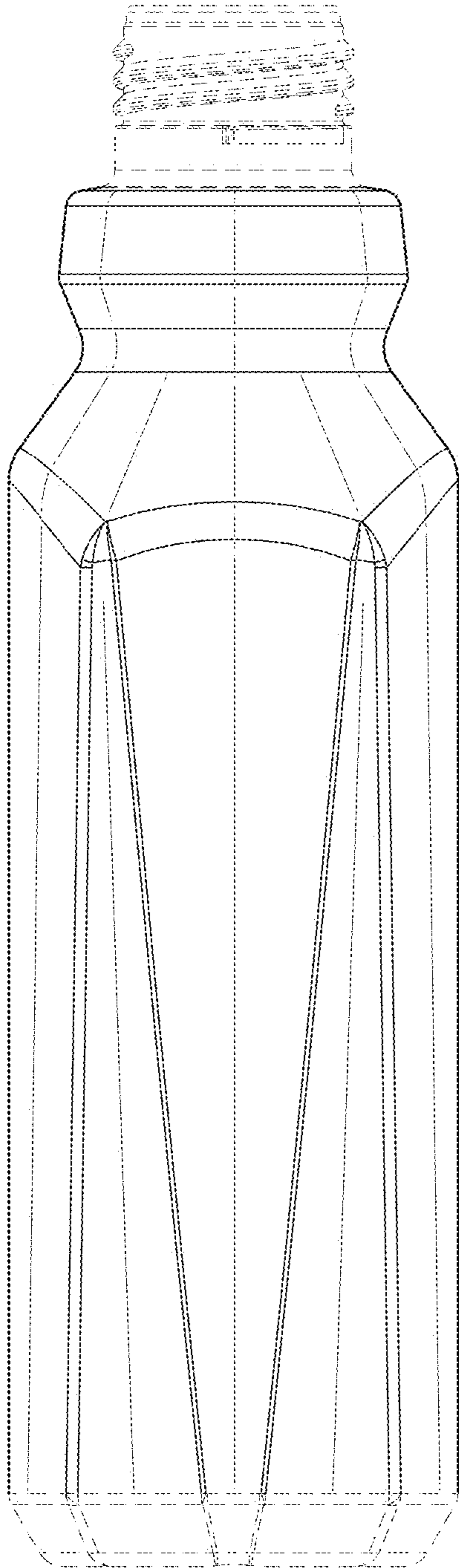


FIG. 31

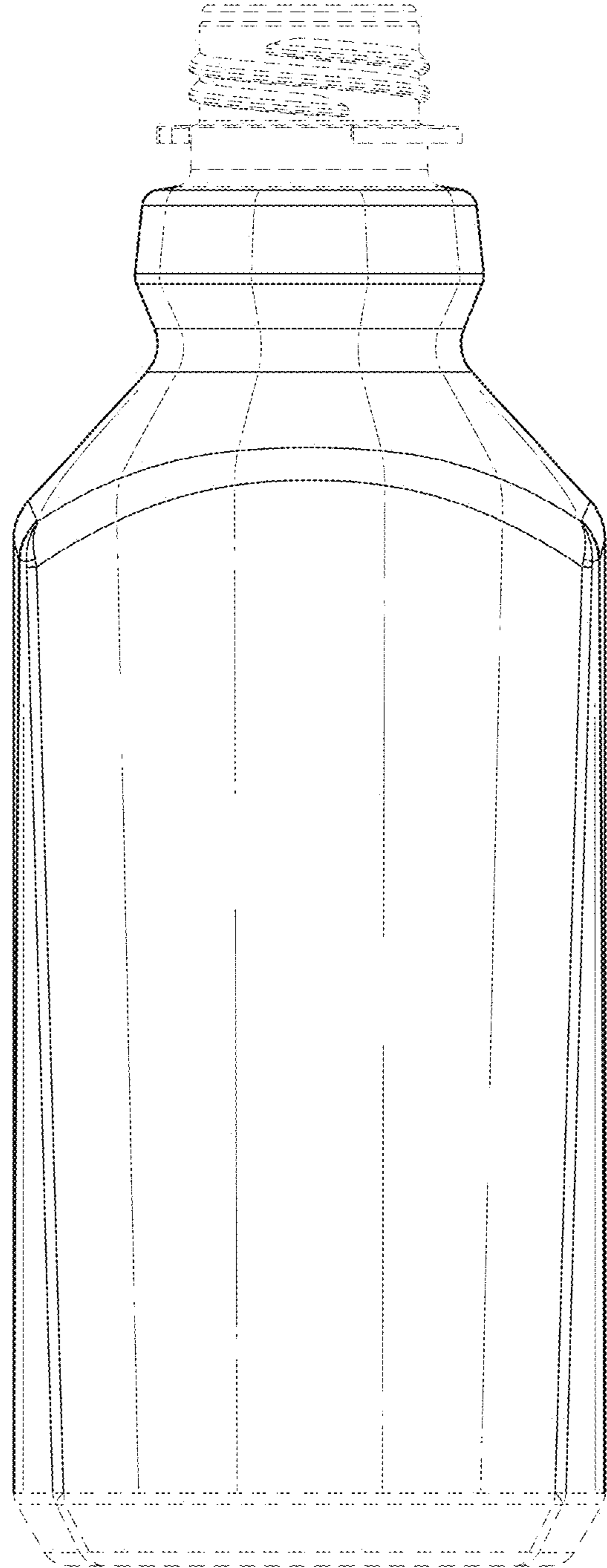


FIG. 32

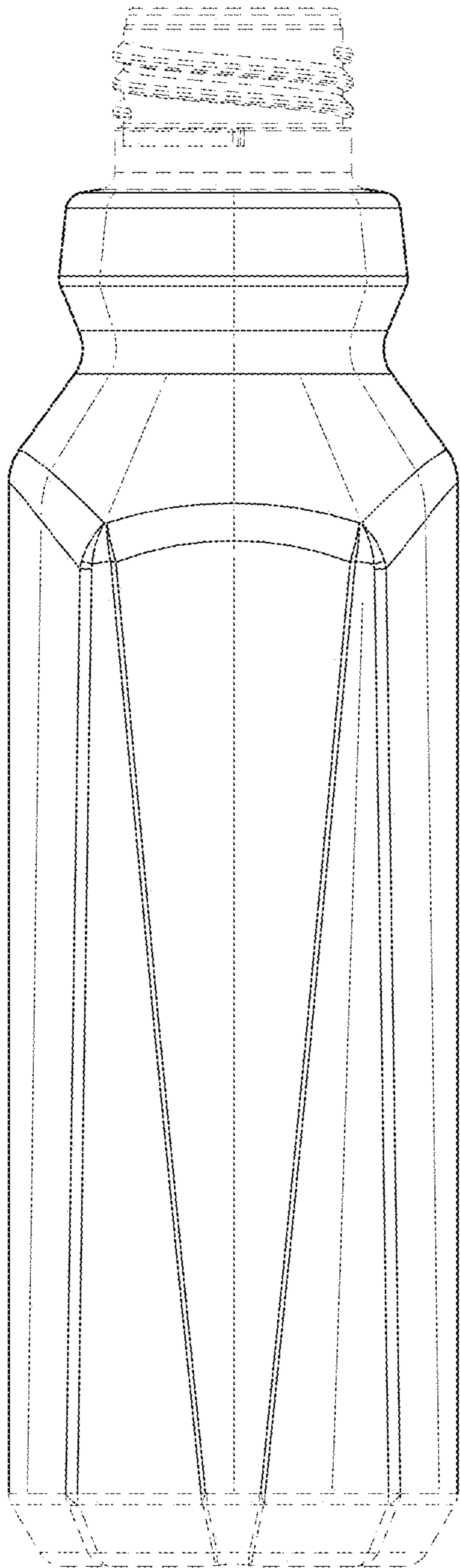


FIG. 33

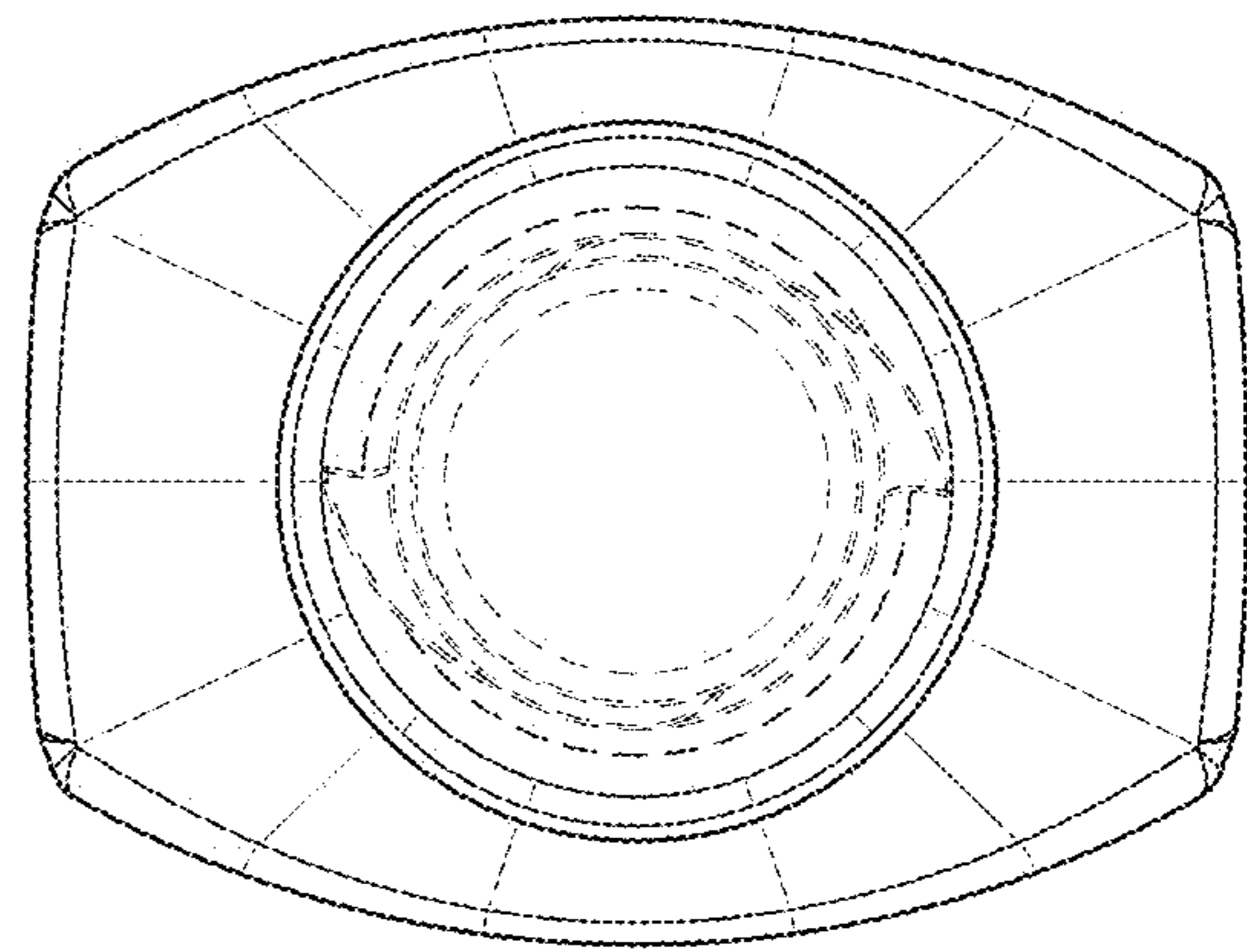


FIG. 34

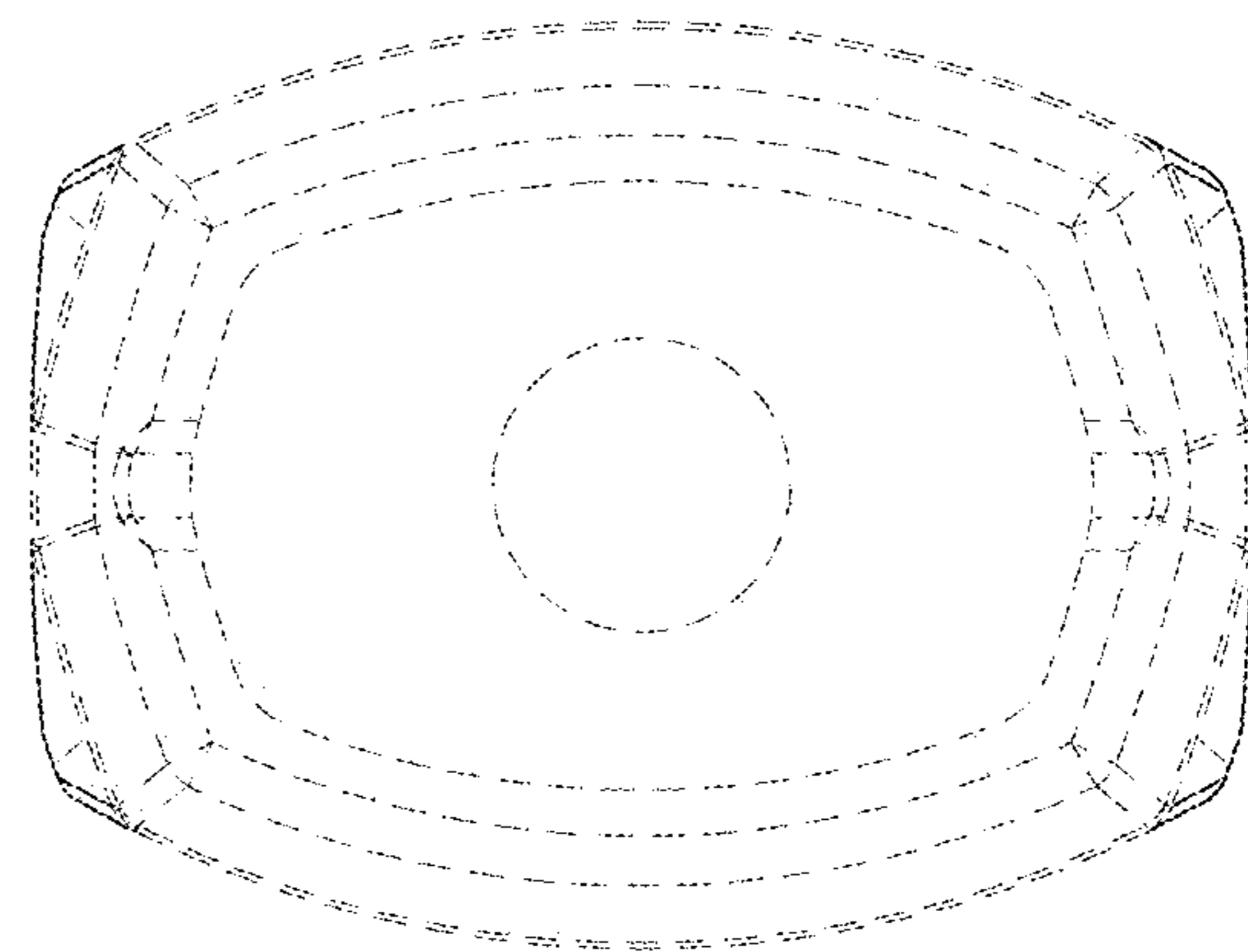


FIG. 35

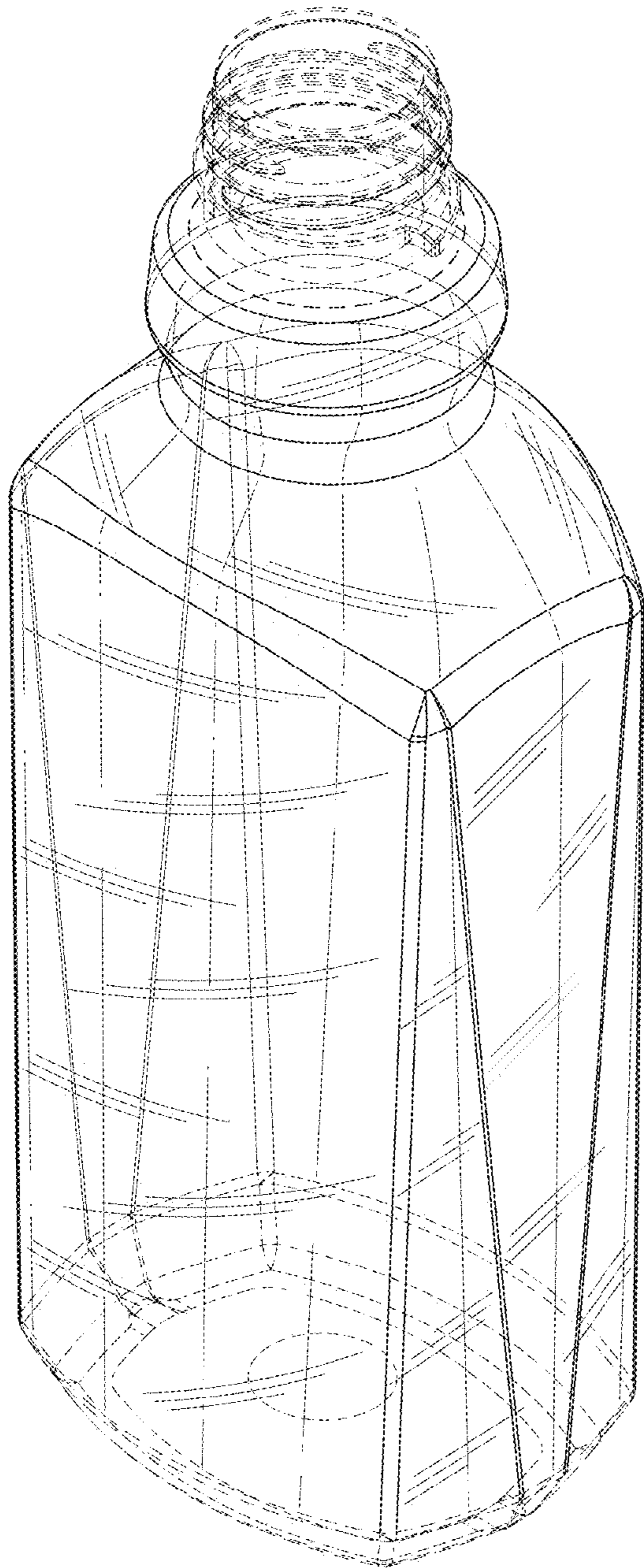


FIG. 36

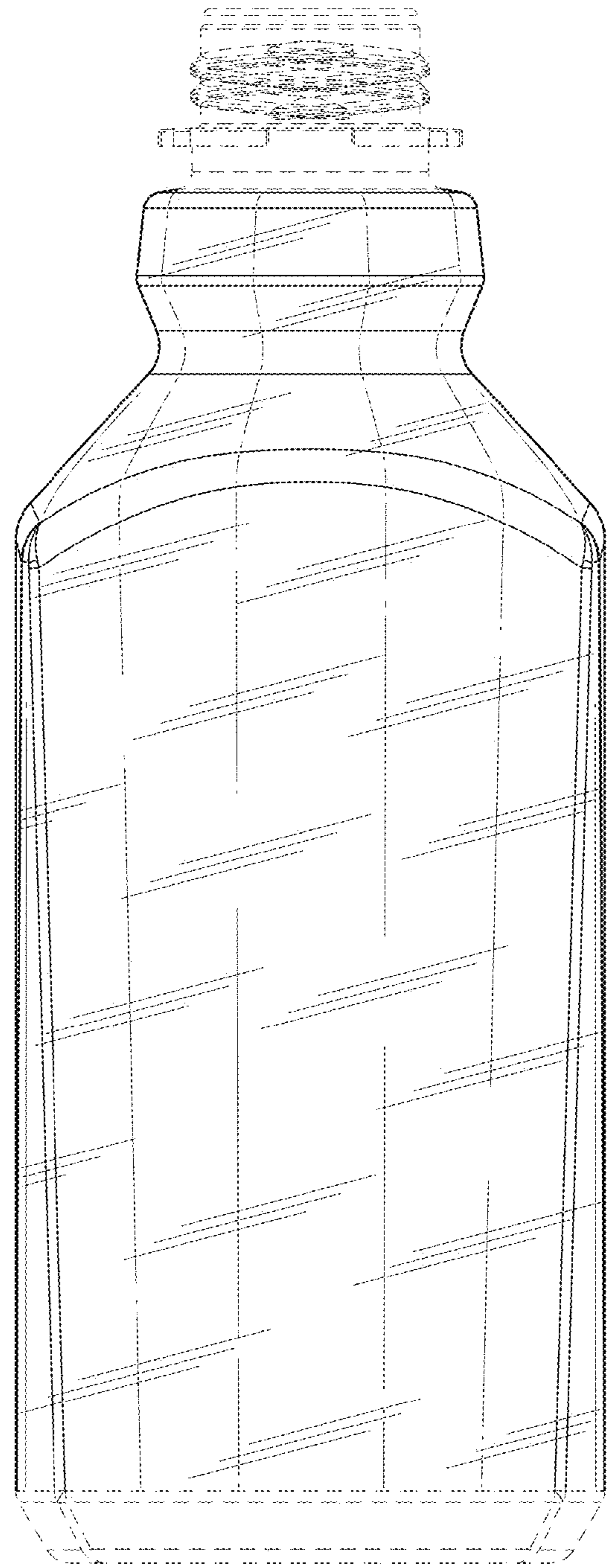


FIG. 37

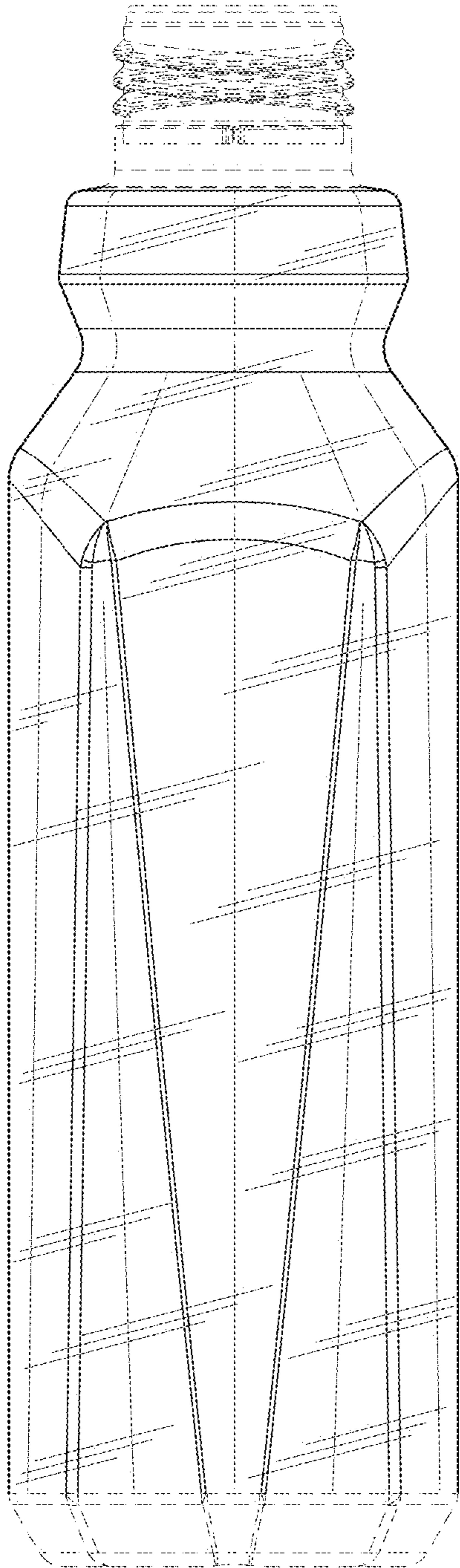


FIG. 38

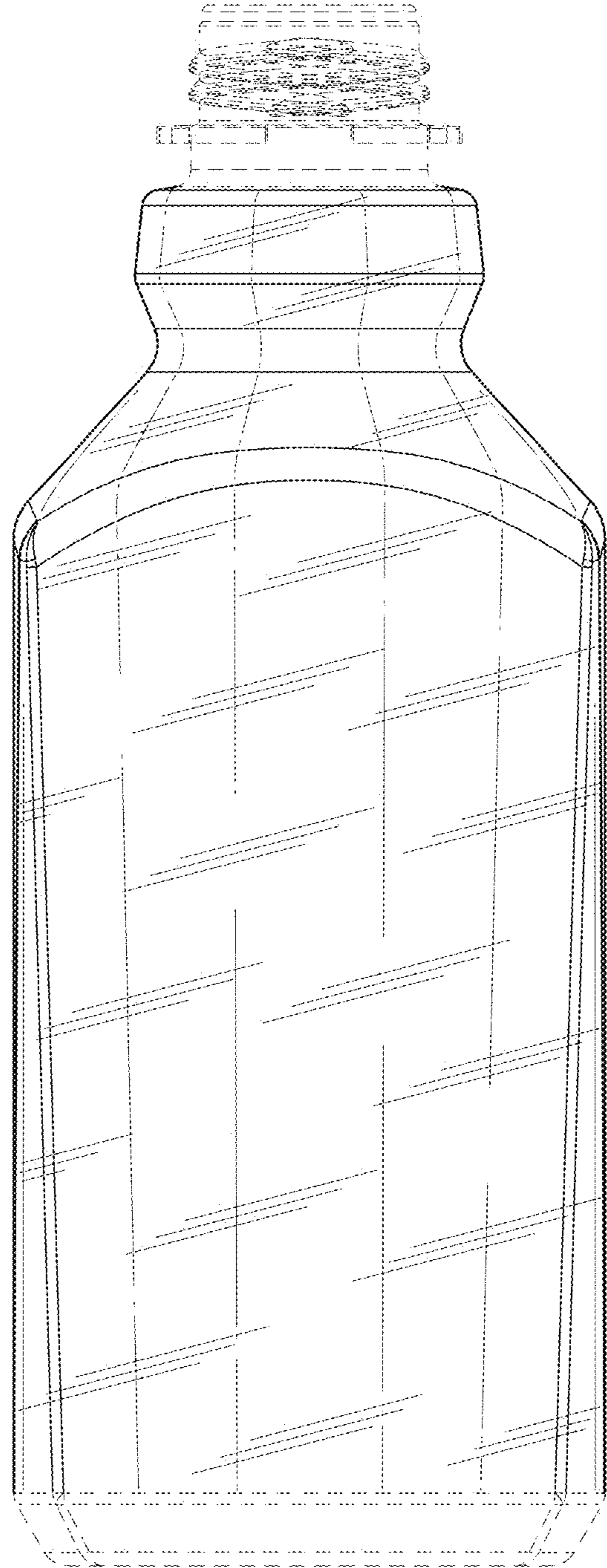


FIG. 39

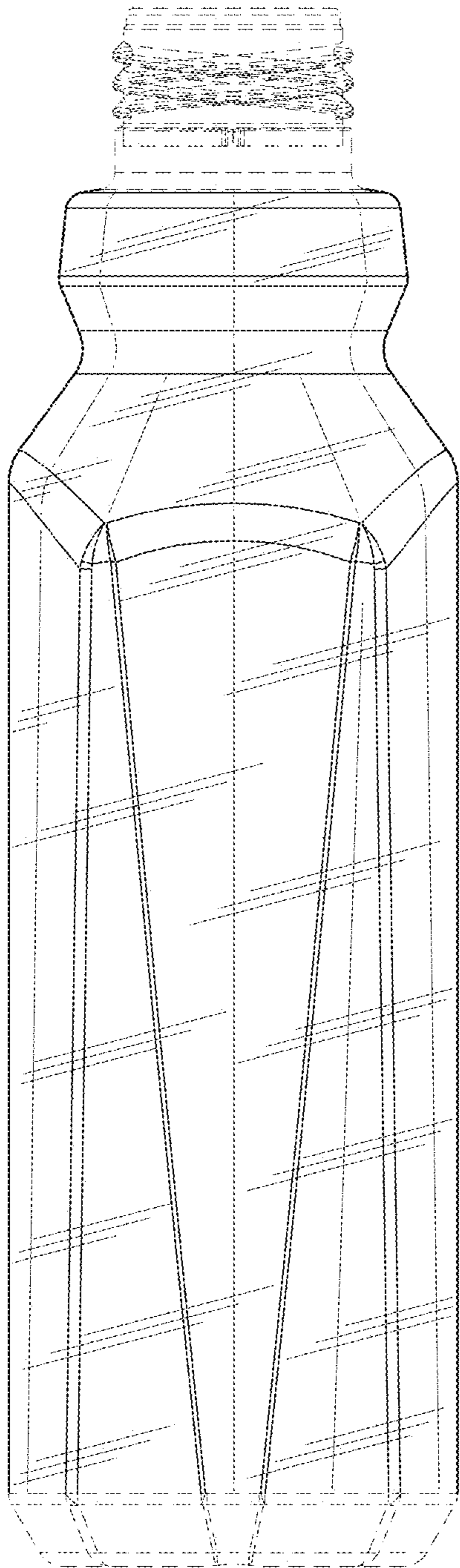


FIG. 40

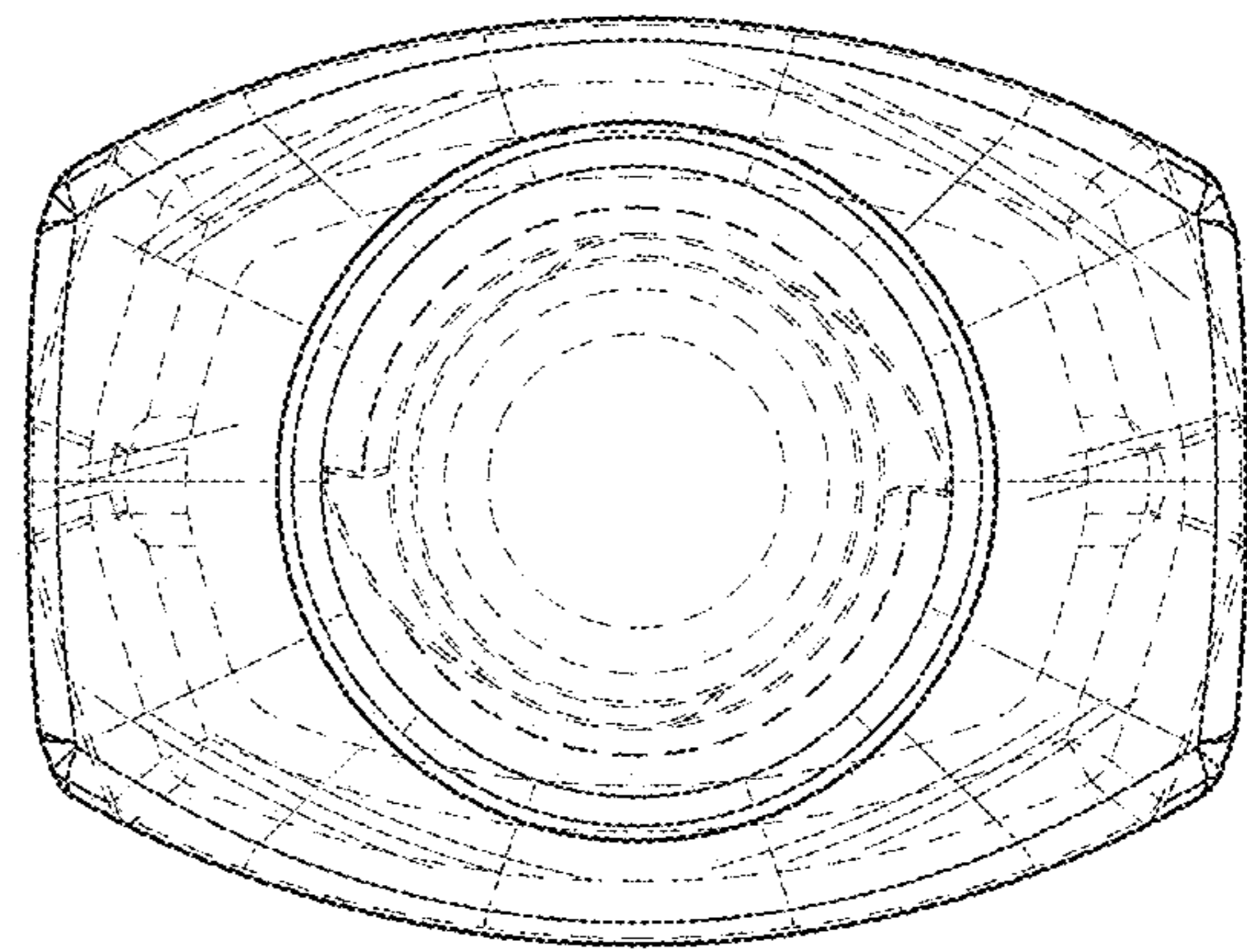


FIG. 41

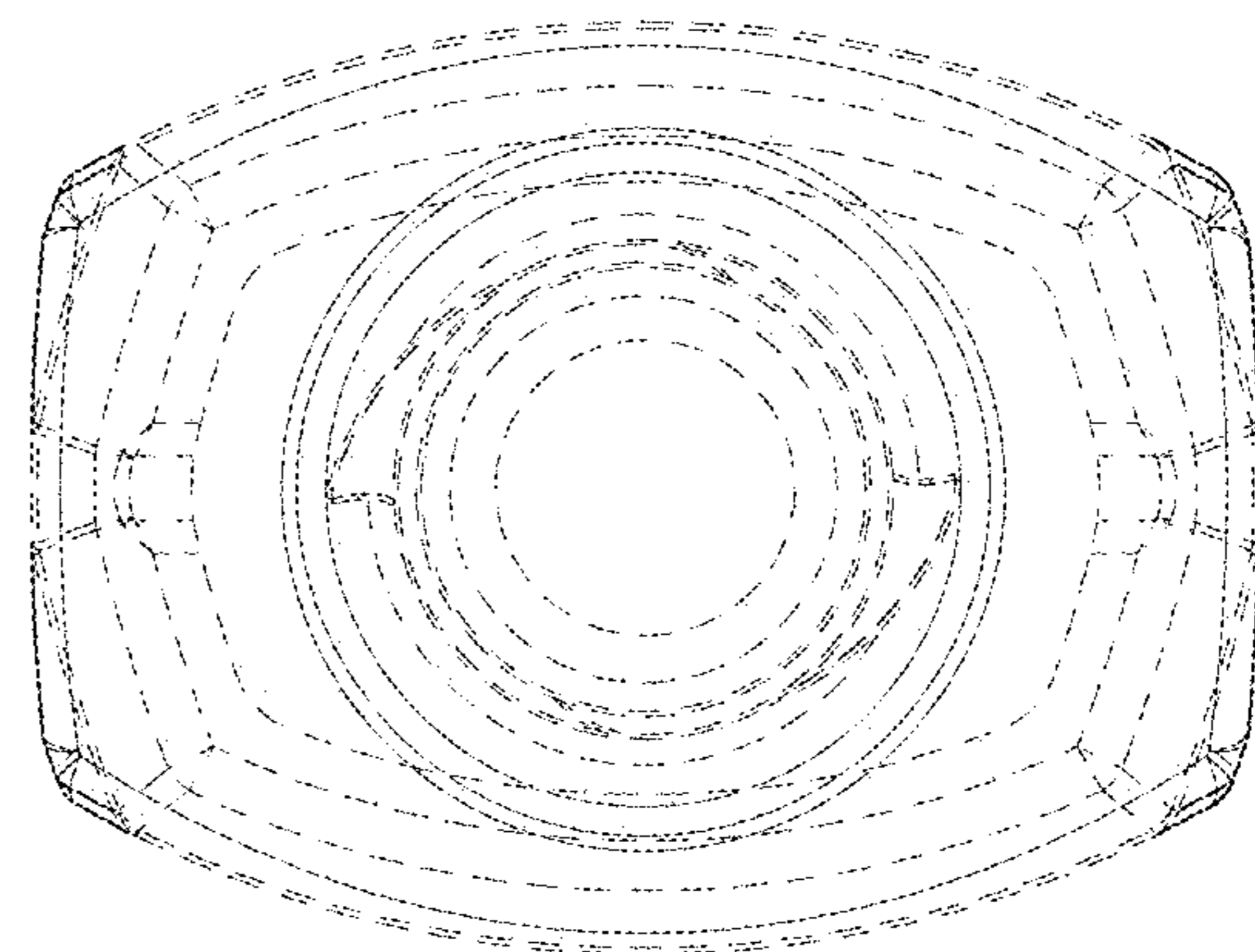


FIG. 42