



US00D887846S

(12) **United States Design Patent**
Thibodeau

(10) **Patent No.:** **US D887,846 S**
(45) **Date of Patent:** **** Jun. 23, 2020**

(54) **HALF-GALLON BOTTLE WITH INTEGRAL HANDLE**

(71) Applicant: **DT Inventions**, Houston, TX (US)

(72) Inventor: **James Alfred Thibodeau**, Gahanna, OH (US)

(73) Assignee: **DT Inventions**, Houston, TX (US)

(**) Term: **15 Years**

(21) Appl. No.: **29/611,475**

(22) Filed: **Jul. 21, 2017**

(51) **LOC (12) Cl.** **09-01**

(52) **U.S. Cl.**
USPC **D9/516; D9/531**

(58) **Field of Classification Search**
USPC D9/434, 516, 528, 530-531, 541, 543,
D9/570-571, 575, 715, 719
CPC B65D 1/00; B65D 1/02; B65D 1/0223;
B65D 1/0261; B65D 1/0284; B65D 1/44;
B65D 23/00; B65D 23/10; B65D 23/102;
B65D 2501/00; B65D 2501/0009; B65D
2501/081

See application file for complete search history.

(56) **References Cited**

U.S. PATENT DOCUMENTS

D212,932 S * 12/1968 Anderson D9/531
D213,821 S * 4/1969 Platte D9/531
D215,539 S * 10/1969 Debs D9/531
D238,654 S * 2/1976 Platte D9/520

D256,664 S * 9/1980 Burrington D9/520
D265,797 S * 8/1982 Platte D9/520
D427,076 S * 6/2000 Ankney D9/531
D429,155 S * 8/2000 Beale D9/520
D449,993 S * 11/2001 Schumann D9/434
D738,733 S * 9/2015 Janeczek D9/531
D739,248 S * 9/2015 Janeczek D9/531
D742,747 S * 11/2015 Lobbestael D9/531
D762,119 S * 7/2016 Thibodeau D9/516
D787,334 S * 5/2017 Pratt D9/520
D838,180 S * 1/2019 Dunster D9/531

* cited by examiner

Primary Examiner — Dana Meyrow

(74) *Attorney, Agent, or Firm* — Osha Liang LLP

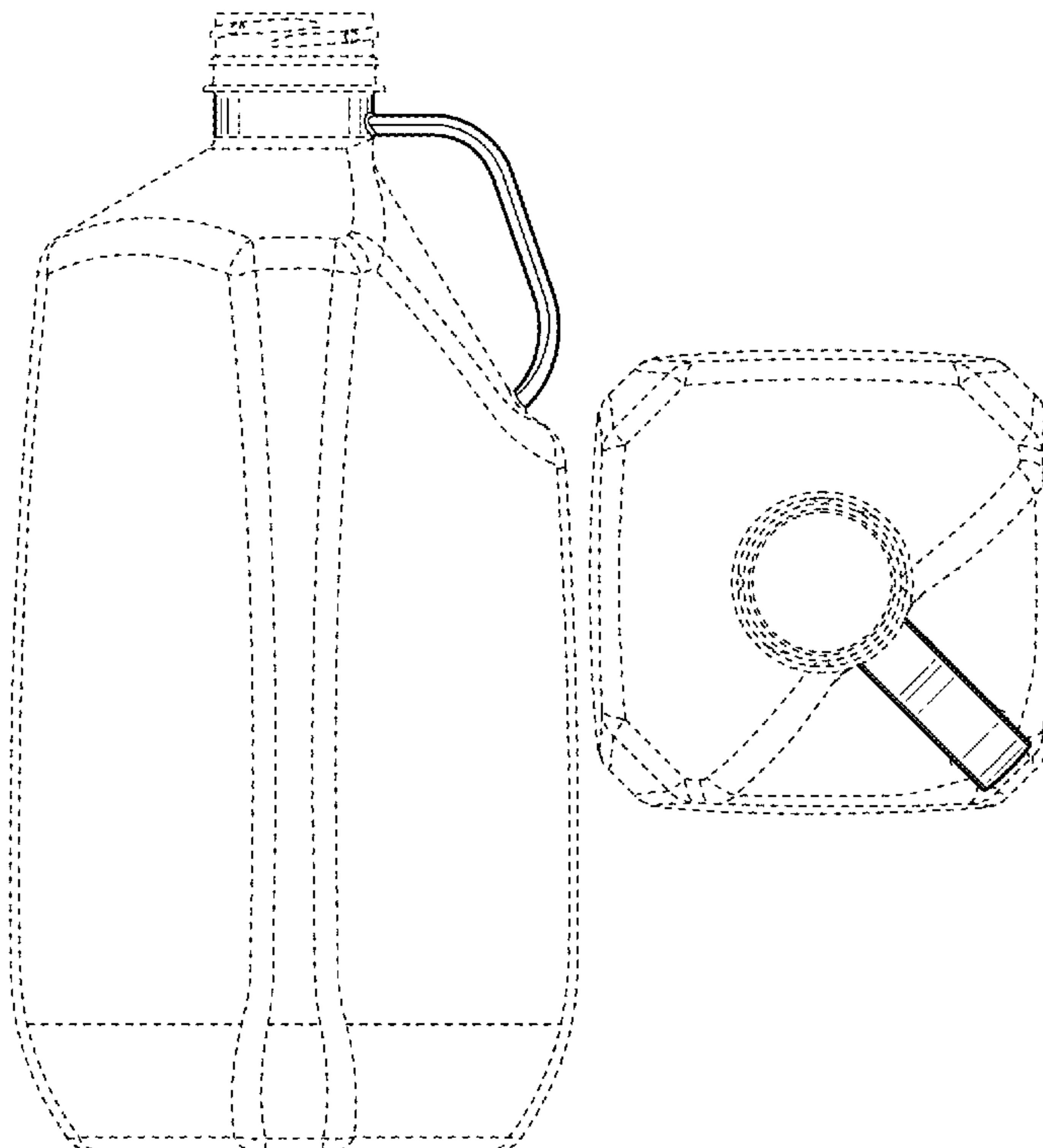
(57) **CLAIM**

The ornamental design for a half-gallon bottle with integral handle, as shown and described.

DESCRIPTION

FIG. 1 is a front elevation view of a half-gallon bottle with integral handle according to the present invention; FIG. 2 is a rear elevation view thereof; FIG. 3 is a right side elevation view thereof; FIG. 4 is a left side elevation view thereof; FIG. 5 is a top plan view thereof; FIG. 6 is a bottom plan view thereof; FIG. 7 is a right-rear elevation view thereof; FIG. 8 is a front-right elevation view thereof; and, FIG. 9 is a top perspective view thereof. The broken lines in the drawings illustrate the portions of the half-gallon bottle with integral handle that form no part of the claim.

1 Claim, 5 Drawing Sheets



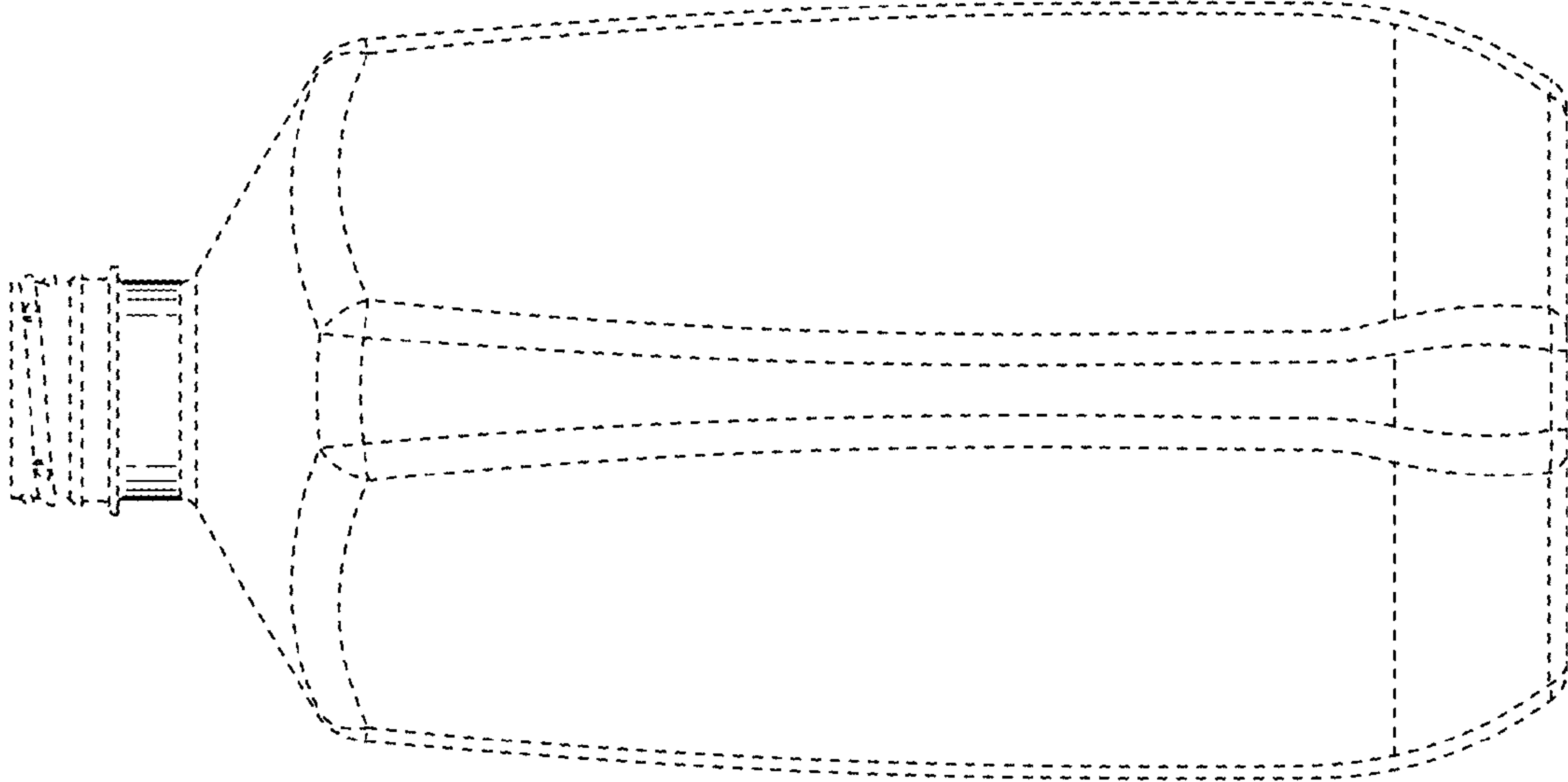


FIG. 1

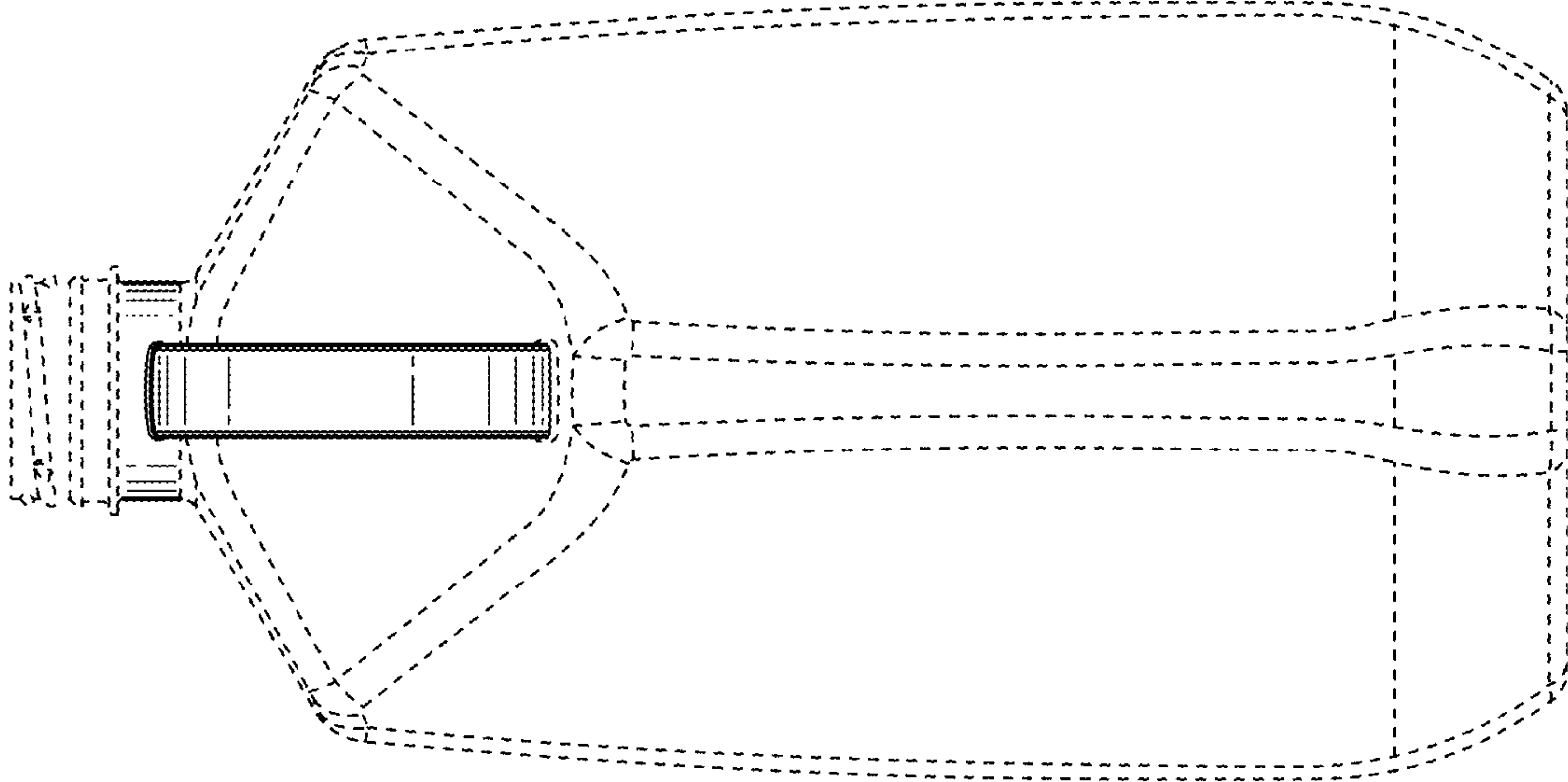


FIG. 2

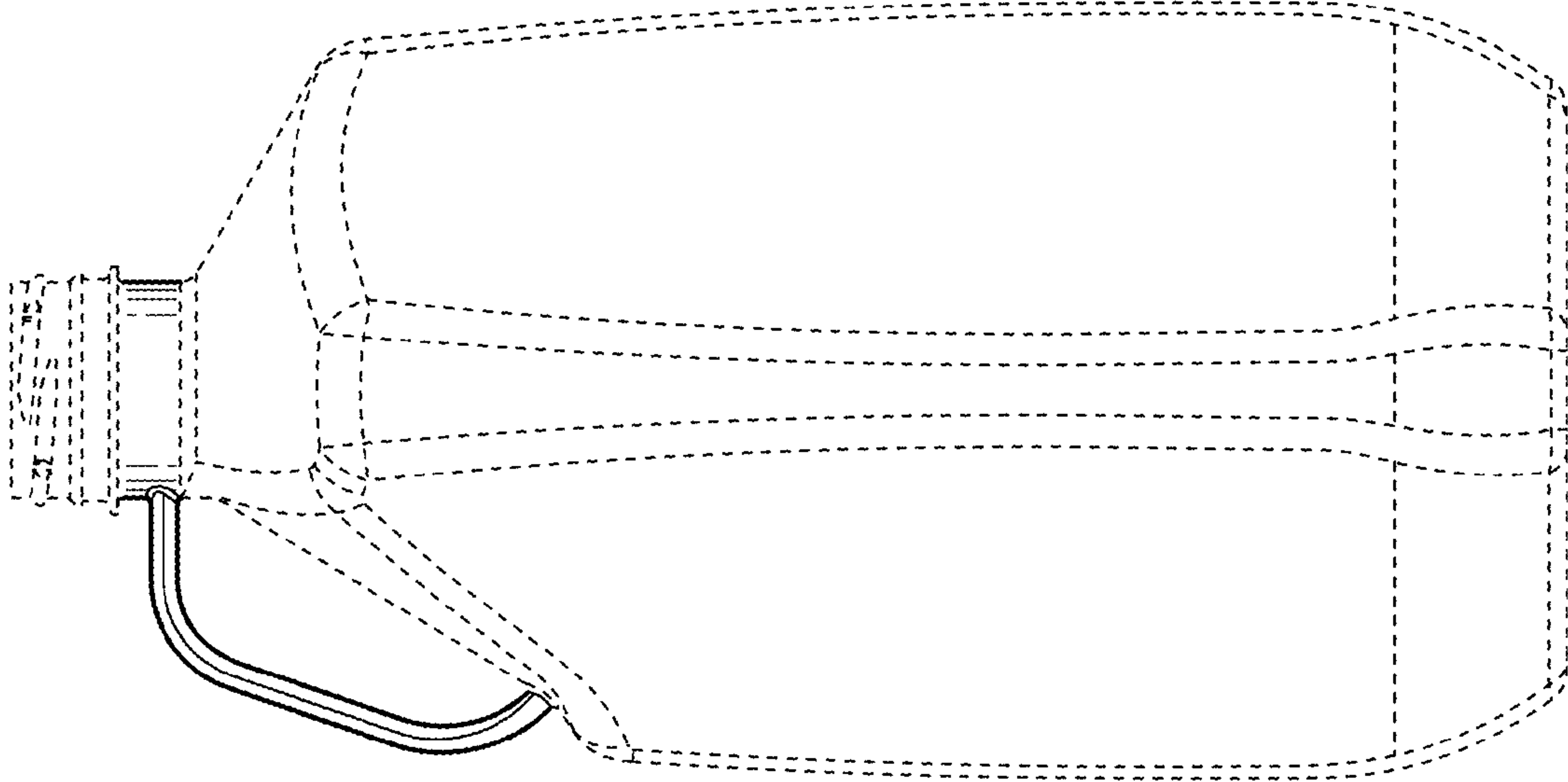


FIG. 3

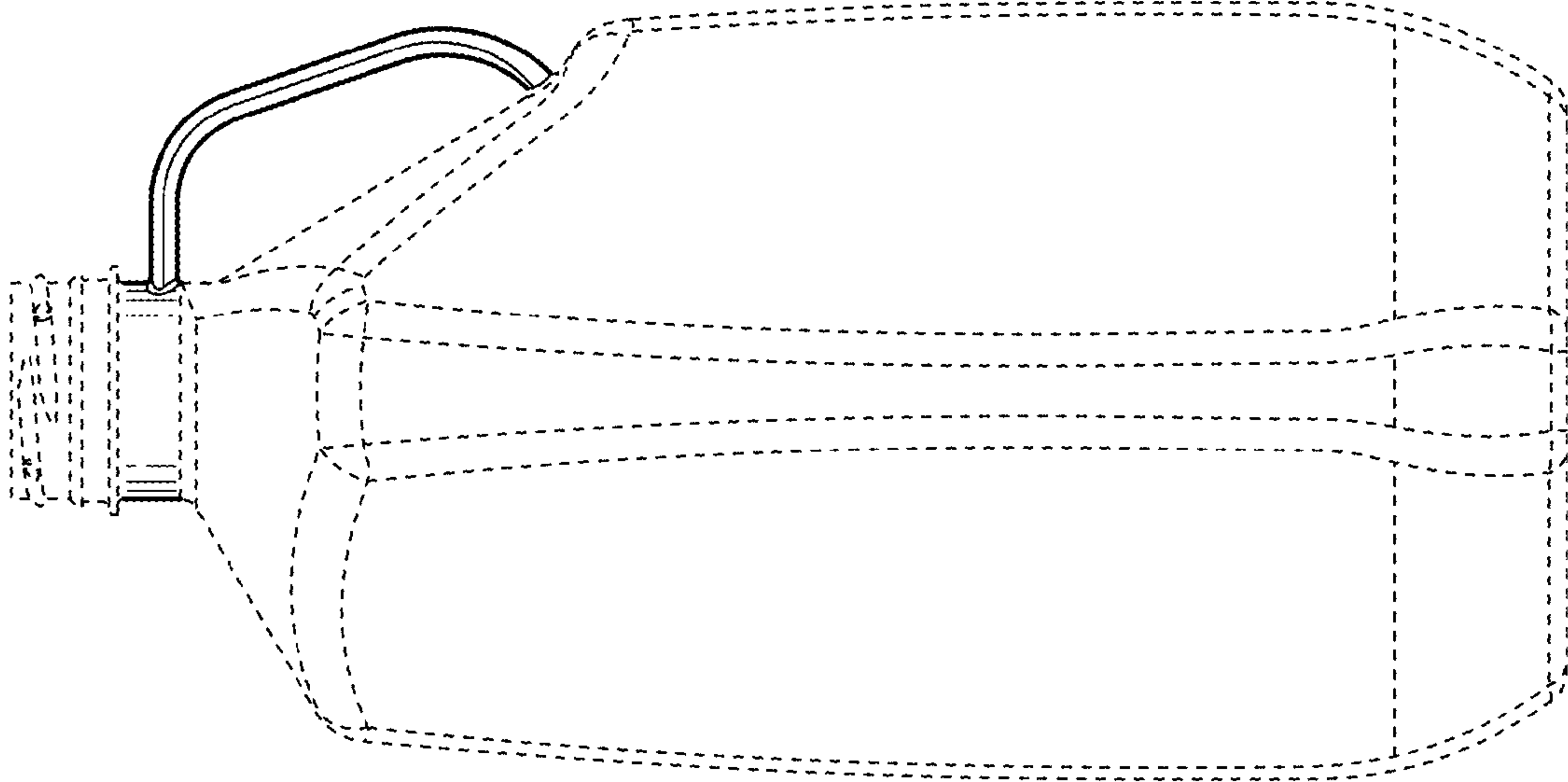


FIG. 4

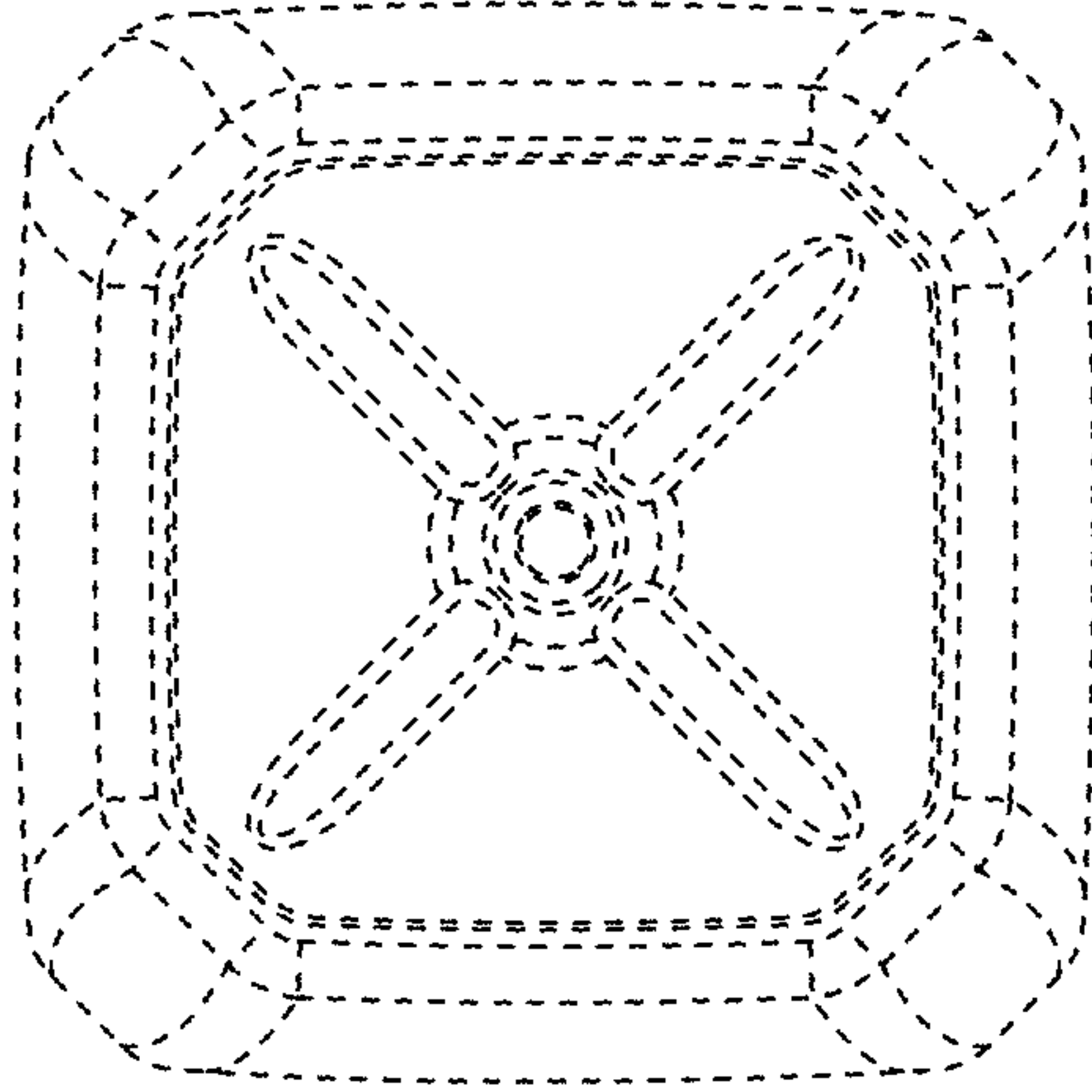


FIG. 6

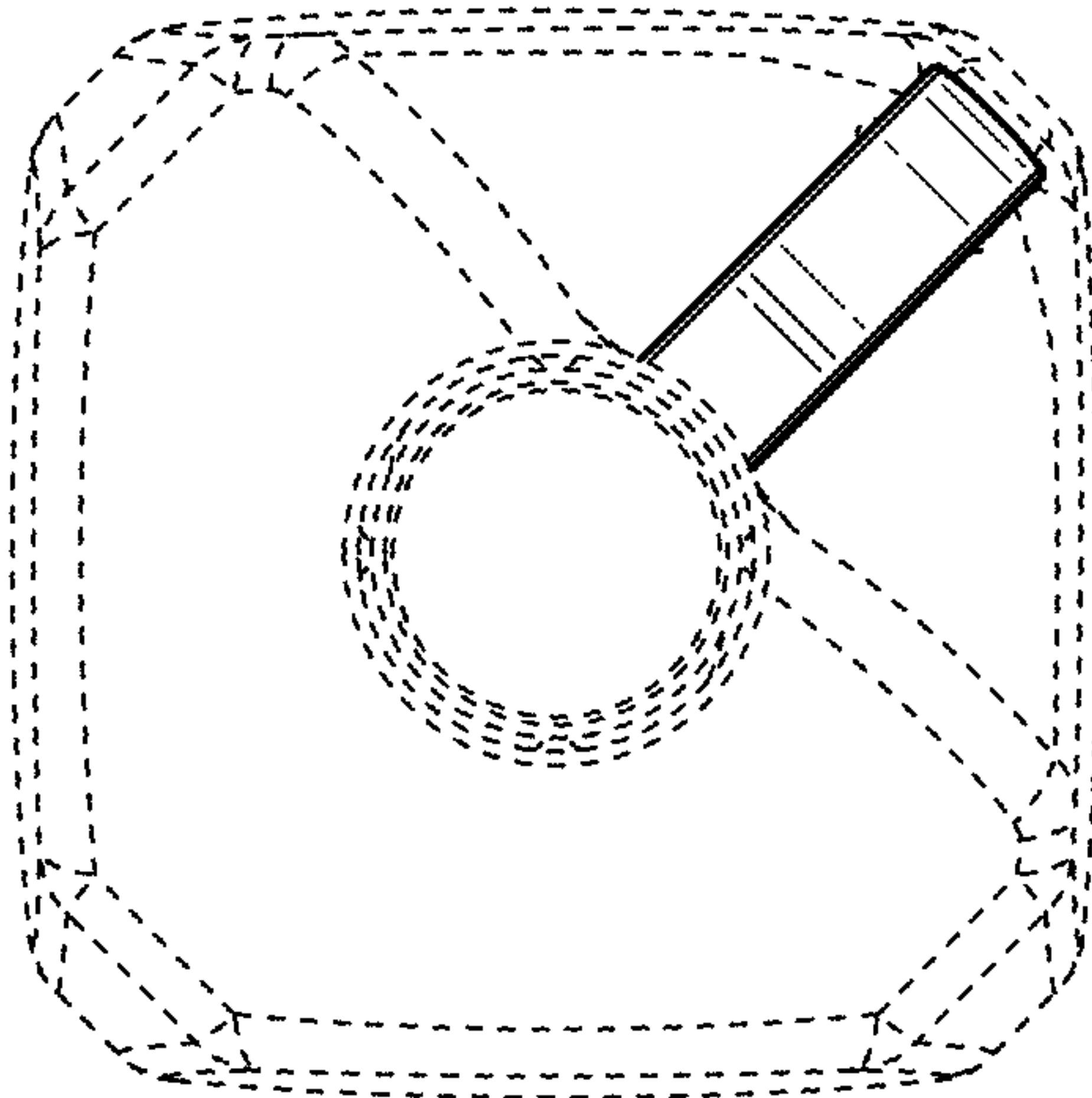


FIG. 5

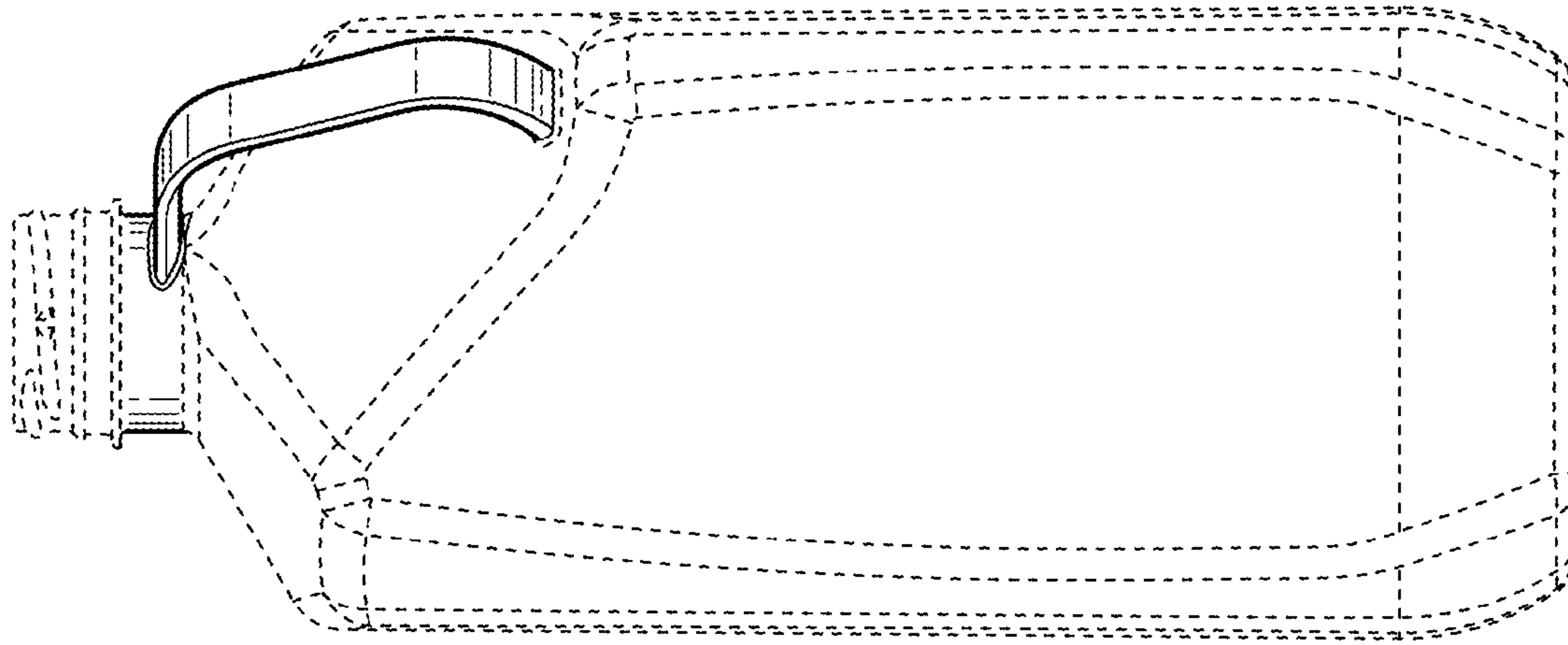


FIG. 7

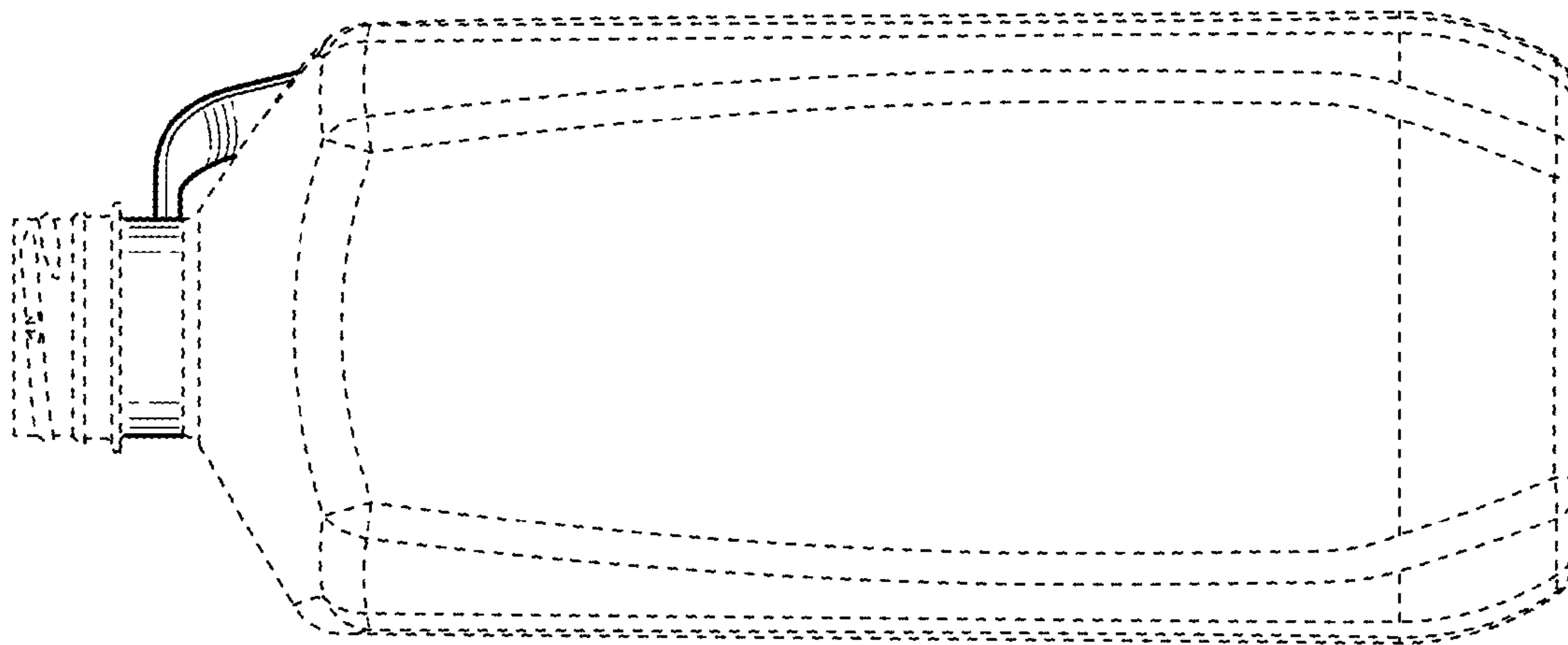


FIG. 8

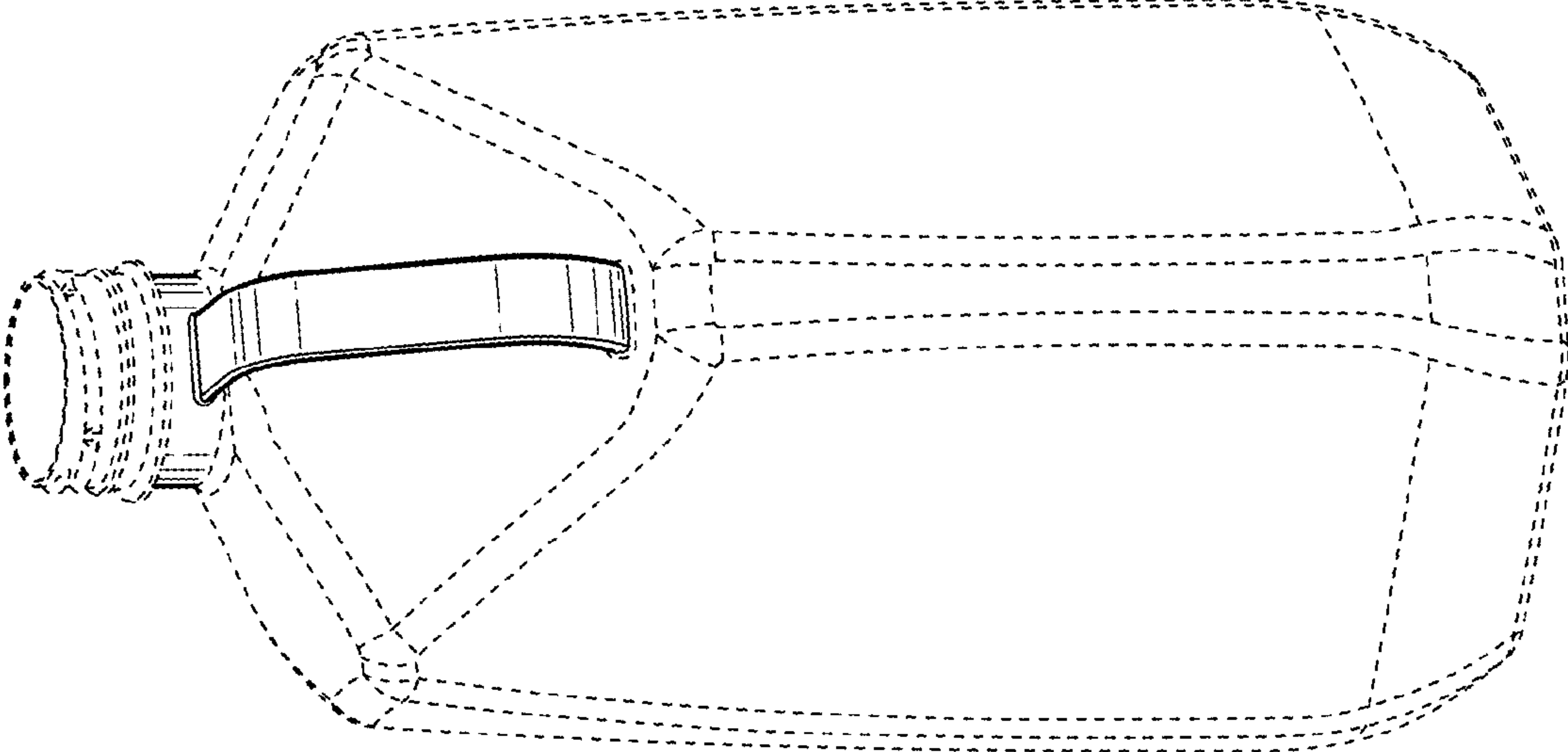


FIG. 9