



US00D887843S

(12) **United States Design Patent**
Smith et al.

(10) **Patent No.:** **US D887,843 S**
(45) **Date of Patent:** **** Jun. 23, 2020**

- (54) **CONTAINER LID**
- (71) Applicants: **William Thomas Smith**, Fair Oaks, CA (US); **Cheryl Ann Smith**, Fair Oaks, CA (US)
- (72) Inventors: **William Thomas Smith**, Fair Oaks, CA (US); **Cheryl Ann Smith**, Fair Oaks, CA (US)
- (73) Assignee: **ALL PLASTIC INC.**, Gold River, CA (US)
- (**) Term: **15 Years**
- (21) Appl. No.: **29/665,425**
- (22) Filed: **Oct. 3, 2018**

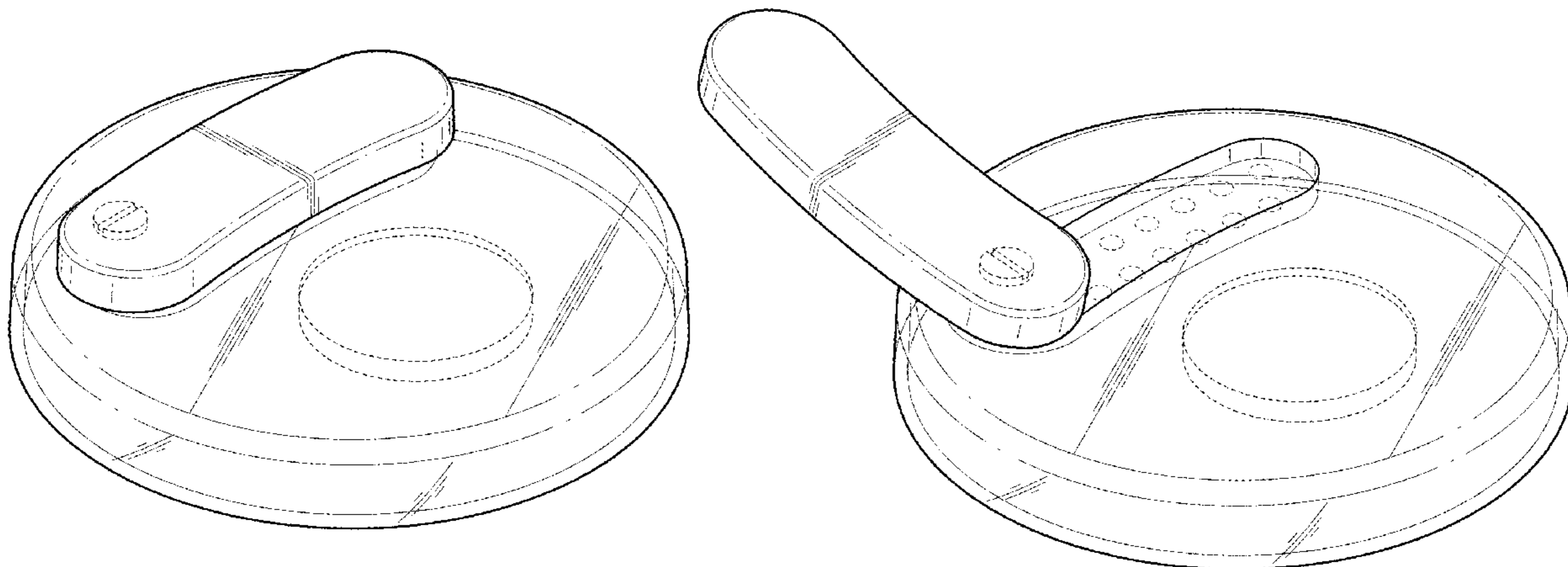
Related U.S. Application Data

- (63) Continuation-in-part of application No. 29/663,940, filed on Sep. 20, 2018, and a continuation-in-part of application No. 29/663,942, filed on Sep. 20, 2018, and a continuation-in-part of application No. 29/659,740, filed on Aug. 10, 2018.
- (51) **LOC (12) Cl.** **09-07**
- (52) **U.S. Cl.**
USPC **D9/454**; D6/677; D9/428; D9/504
- (58) **Field of Classification Search**
USPC D9/414, 418, 422, 423, 424, 428, 436, D9/454, 503, 504, 549, 721; D6/677
CPC B65D 25/54; B65D 25/106; B65D 25/22; B65D 51/24; B65D 51/245; A47F 3/145; A47F 7/286
See application file for complete search history.

References Cited

- (56) **U.S. PATENT DOCUMENTS**
- D128,936 S * 8/1941 Foley D3/203.2
- 2,807,901 A 10/1957 Gilowitz
- 3,247,995 A 4/1966 Jensen
- 3,656,840 A 4/1972 Smith et al.

- 4,106,660 A * 8/1978 Boyle B65D 47/10 220/266
- D255,546 S * 6/1980 Zaidmann D6/661
- 4,230,231 A 10/1980 Burnett et al.
- 4,284,200 A 8/1981 Bush et al.
- D272,595 S 2/1984 Chase et al.
- 4,979,332 A 12/1990 Nagaya et al.
- D340,187 S * 10/1993 Forsyth D9/449
- 5,321,908 A 6/1994 Ushimaru
- 5,363,801 A 11/1994 Watters et al.
- 5,927,007 A 7/1999 Oda et al.
- 6,013,524 A 1/2000 Friars et al.
- 6,571,972 B1 6/2003 Bouc et al.
- D480,307 S * 10/2003 Canamasas Puigbo D28/76
- 6,761,287 B2 7/2004 Caruso
- D493,722 S * 8/2004 Cooper D9/504
- D513,979 S 1/2006 Snedden et al.
- D517,405 S 3/2006 Snedden et al.
- 7,185,827 B2 3/2007 Quintard et al.
- D547,177 S 7/2007 Sherman et al.
- D588,450 S 3/2009 Snedden et al.
- D590,706 S 4/2009 Doliwa et al.
- D591,148 S 4/2009 Parikh et al.
- D600,111 S 9/2009 Gerulski et al.
- D630,949 S 1/2011 Lim
- D646,969 S 10/2011 Snedden et al.
- D647,530 S * 10/2011 Busch D14/480.3
- 8,079,478 B2 12/2011 Short et al.
- D655,604 S * 3/2012 Molina D9/436
- D685,227 S 7/2013 Boonprasop
- 8,544,208 B2 10/2013 Huang
- D696,948 S * 1/2014 Kim D9/454
- D703,055 S * 4/2014 Park D9/454
- D749,381 S 2/2016 Magri
- D765,389 S * 9/2016 Martin D3/203.5
- D769,079 S * 10/2016 Kotani D7/608
- D778,718 S 2/2017 Smith et al.
- 9,630,747 B2 4/2017 Smith et al.
- D794,944 S * 8/2017 Martin D3/203.5
- D806,543 S * 1/2018 Finkbohner D9/443
- D812,939 S 3/2018 Modlin
- D814,831 S * 4/2018 Modlin D6/677
- D830,779 S 10/2018 Li et al.
- D849,526 S 5/2019 Sanders et al.
- D855,449 S * 8/2019 Smith D9/414
- 10,384,834 B2 8/2019 Smith et al.
- D859,894 S * 9/2019 Smith D6/682.1
- D863,053 S * 10/2019 Smith D9/414
- 2003/0234208 A1 12/2003 Huang
- 2005/0092751 A1 * 5/2005 Alvares B65D 21/0219 220/270
- 2007/0051826 A1 3/2007 Schofield
- 2009/0057326 A1 3/2009 Opitz



2009/0261100	A1	10/2009	McMinn	
2010/0300370	A1	12/2010	Hundt	
2013/0313217	A1	11/2013	Yamamoto et al.	
2016/0031605	A1	2/2016	Bean et al.	
2016/0318672	A1*	11/2016	Smith	B65D 85/70
2017/0190482	A1	7/2017	Smith et al.	
2017/0275075	A1*	9/2017	Bamonte	A47J 47/10
2018/0362215	A1*	12/2018	Whetsel	B65D 25/54
2019/0009967	A1*	1/2019	Lung	B65B 5/04
2019/0152648	A1*	5/2019	Parve	B65D 21/08

FOREIGN PATENT DOCUMENTS

EP 1779885 A1 5/2007

OTHER PUBLICATIONS

Bud Pod and Bud pod security tether close up. Publication on Facebook Oct. 21, 2016. <https://www.facebook.com/BudBarDisplays/photos/a.1250515684990657/1250523611656531/?type=3&theater>.

Budtender Demo-Bud Bar Displays. Publication on youtube dated May 7, 2017—<https://www.youtube.com/watch?v=JRd6B1ZXZlk>.

Magazine AD for Bud Bar Displays™. 3rd Annual Marijuana Business Conference & Expo, Las Vegas, NV, Nov. 1, 2014. 3 pages.

Magazine AD for Bud Bar Displays™. CANNA CON, Denver, Colorado, Jun. 1, 2015. 3 pages.

Magazine AD for Bud Bar Displays™. Marijuana Business Magazine, vol. 2, Issue 4, Jul. 1, 2015. 2 pages.

Magazine AD for Bud Bar Displays™. Marijuana Venture Magazine, Jun. 1, 2017. 3 pages.

Magazine AD for Bud Bar Displays™. Marijuana Venture Magazine, vol. 1, Issue 7, Sep. 1, 2014. 3 pages.

Magazine AD for Bud Bar Displays™. MG-Magazine.com, Feb. 1, 2016. 2 pages.

Magazine AD for Bud Bar Displays™. The News Tribune, Aug. 15, 2014. 2 pages.

Magazine AD showing Bud Bar Displays™. Dope Magazine, Issue #7, Dec. 1, 2015. 2 pages.

Pictures of Bud Bar Displays™ booth at the KushCon Convention, which features the Epods. Denver, Colorado, Dec. 1, 2010. 3 pages.

Website photo. 3 Tier Lighted Display. www.budbardisplays.com. Published Jul. 9, 2017.

Website photo. Aroma epod. www.budbardisplays.com. Published Jan. 23, 2016.

Website photo. BudBar. www.budbardisplays.com. Published Jan. 23, 2016.

Website photo. Bud bar cabinet. www.budbardisplays.com. Published Jul. 9, 2017.

Website photo. Bud Pod. www.budbardisplays.com. Published Jul. 9, 2017.

Website photo. Bud-Pod. www.budbardisplays.com. Published Jan. 23, 2016.

Website photo. Budtender1. www.budbardisplays.com. Published Jul. 9, 2017.

Website photo. Canna pod. www.budbardisplays.com. Published Jul. 9, 2017.

Website photo. cannabisaroma cannapod. www.budbardisplays.com. Published Jan. 23, 2016.

Website photo. e-Pod. www.budbardisplays.com. Published Jul. 9, 2017.

Website photo. Eco Pod Cabinet. www.budbardisplays.com. Published Jul. 9, 2017.

Website photo. Epod. www.budbardisplays.com. Published Jan. 23, 2016.

Website photo. Highlight display. www.budbardisplays.com. Published Jan. 23, 2016.

Website photo. Sample pod package. www.budbardisplays.com. Published Jul. 9, 2017.

Website photo. Security seals for pods. www.budbardisplays.com. Published Jul. 9, 2017.

Website photo. Tether on Bud Pod3. www.budbardisplays.com. Published Jul. 9, 2017.

Facebook post showing sample containers, Oct. 22, 2016. <https://www.facebook.com/BudBarDisplays/photos/a.1250515684990657/1251439121564980/?type=3&theater> (1 page).

U.S. Appl. No. 29/659,740, filed Aug. 10, 2018, William Thomas Smith.

U.S. Appl. No. 29/663,940, filed Sep. 20, 2018, William Thomas Smith.

U.S. Appl. No. 29/663,942, filed Sep. 20, 2018, William Thomas Smith.

Author Unknown; Bud Pod Seals Airtight for Freshness; Published Sep. 14, 2018; Retrieved Nov. 5, 2019 from www.budbardisplays.com/product/pods/bud-pod.

* cited by examiner

Primary Examiner — Lauren R Calve
(74) Attorney, Agent, or Firm — Ballard Spahr LLP

(57) CLAIM

The ornamental design for a container lid, as shown and described.

DESCRIPTION

FIG. 1 is a perspective view of a container lid, in which the plug is in a closed position;
 FIG. 2 is a rear view thereof;
 FIG. 3 is a right side view thereof;
 FIG. 4 is a front view thereof;
 FIG. 5 is a left side view thereof;
 FIG. 6 is a top plan view thereof;
 FIG. 7 is a bottom plan view thereof;
 FIG. 8 is a perspective view thereof shown in use;
 FIG. 9 is a perspective view of container lid shown in FIG. 1, in which the plug is in an open position;
 FIG. 10 is a rear view thereof;
 FIG. 11 is a right side view thereof;
 FIG. 12 is a front view thereof;
 FIG. 13 is a left side view thereof;
 FIG. 14 is a top plan view thereof;
 FIG. 15 is a bottom plan view thereof;
 FIG. 16 is a perspective view thereof shown in use;
 FIG. 17 is a perspective view of a container lid according to a second embodiment, in which the plug is in a closed position;
 FIG. 18 is a rear view thereof;
 FIG. 19 is a right side view thereof;
 FIG. 20 is a front view thereof;
 FIG. 21 is a left side view thereof;
 FIG. 22 is a top plan view thereof;
 FIG. 23 is a bottom plan view thereof;
 FIG. 24 is a perspective view thereof shown in use;
 FIG. 25 is a perspective view of the container lid of FIG. 17, in which the plug is in an open position;
 FIG. 26 is a rear view thereof;
 FIG. 27 is a right side view thereof;
 FIG. 28 is a front view thereof;
 FIG. 29 is a left side view thereof;
 FIG. 30 is a top plan view thereof;
 FIG. 31 is a bottom plan view thereof; and,
 FIG. 32 is a perspective view thereof shown in use.
 The broken lines depict portions of the article that form no part of the claimed design.

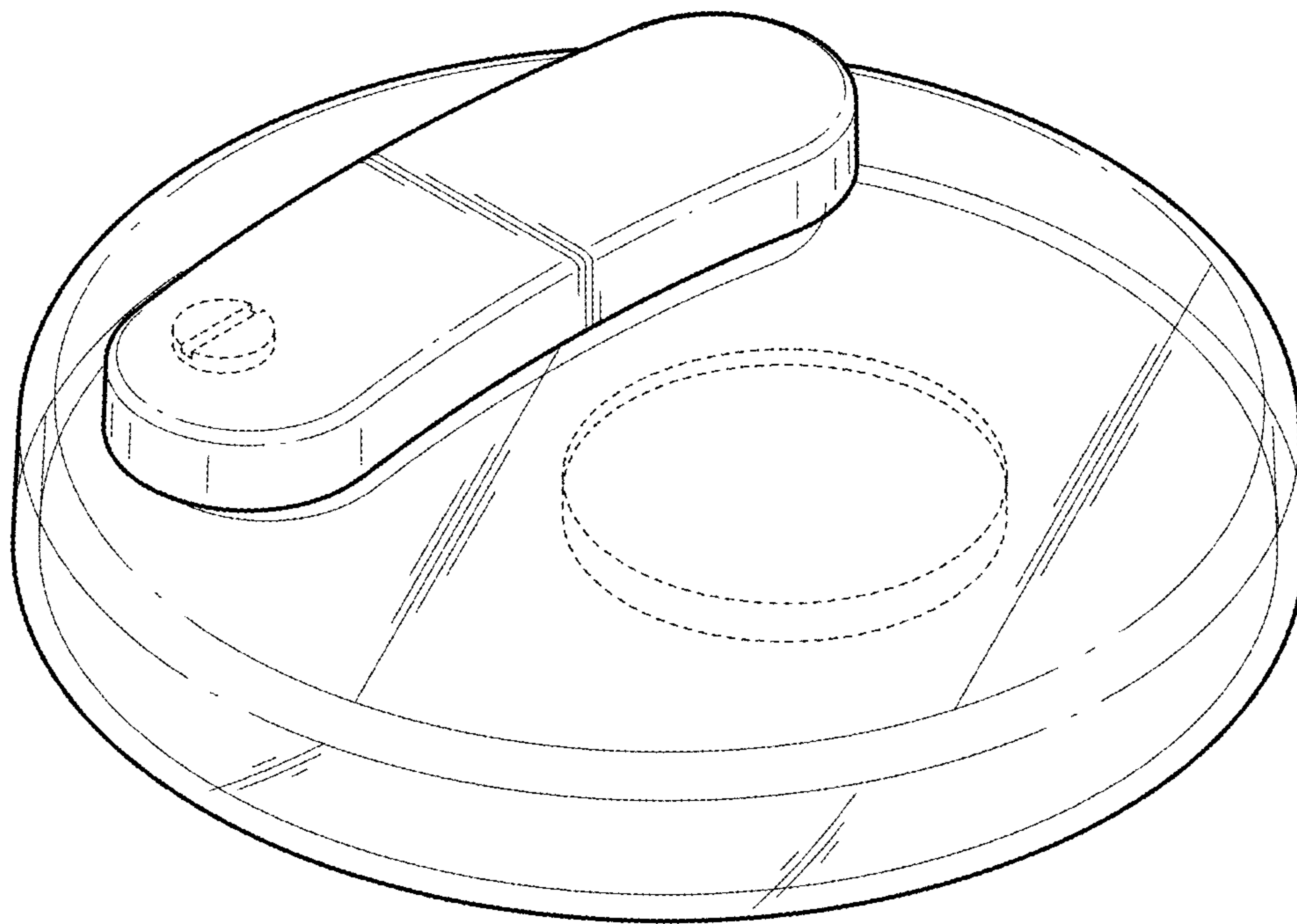


FIG. 1

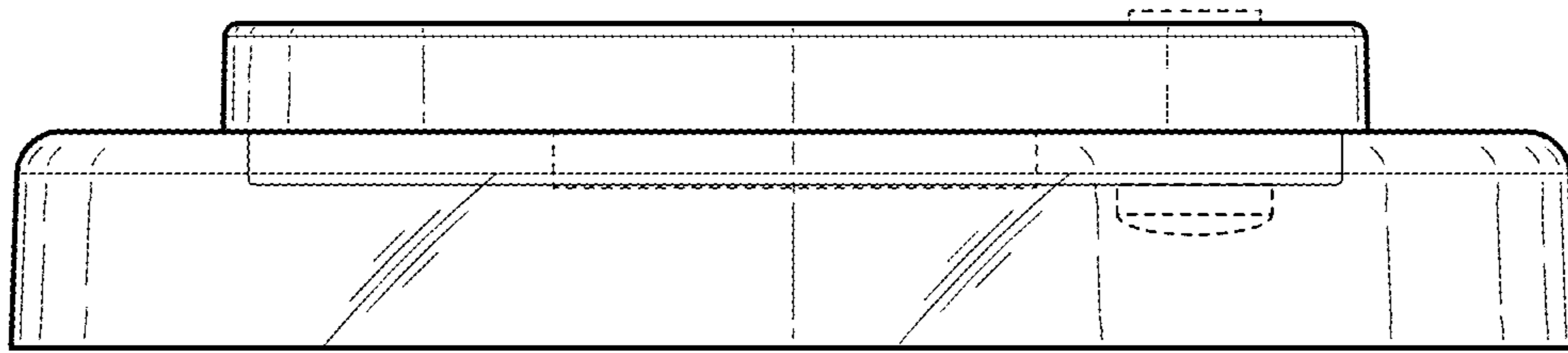


FIG. 2

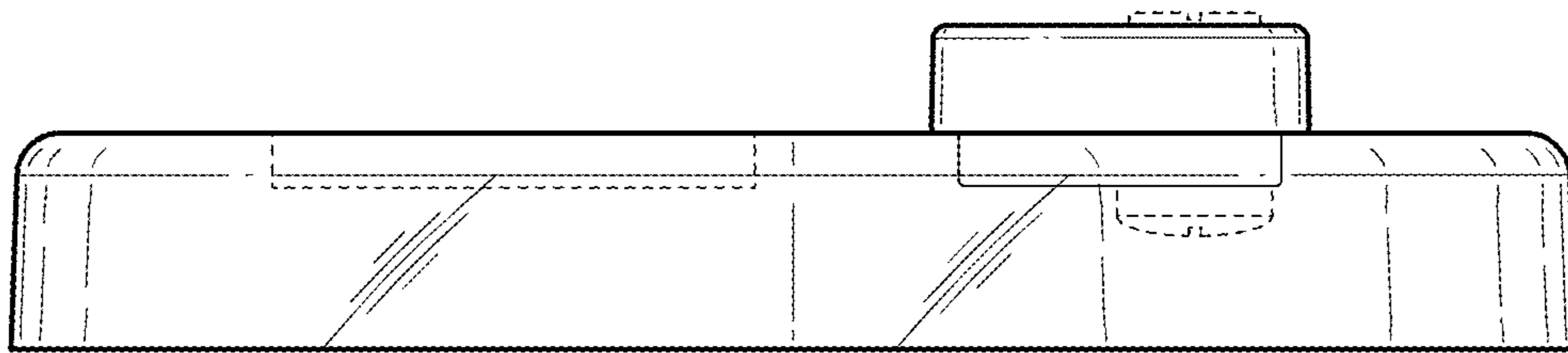


FIG. 3

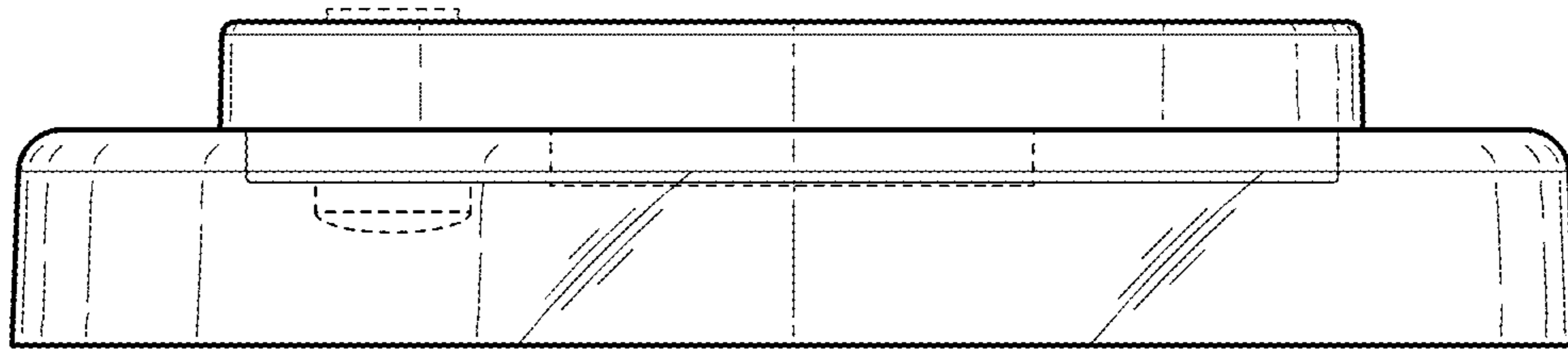


FIG. 4

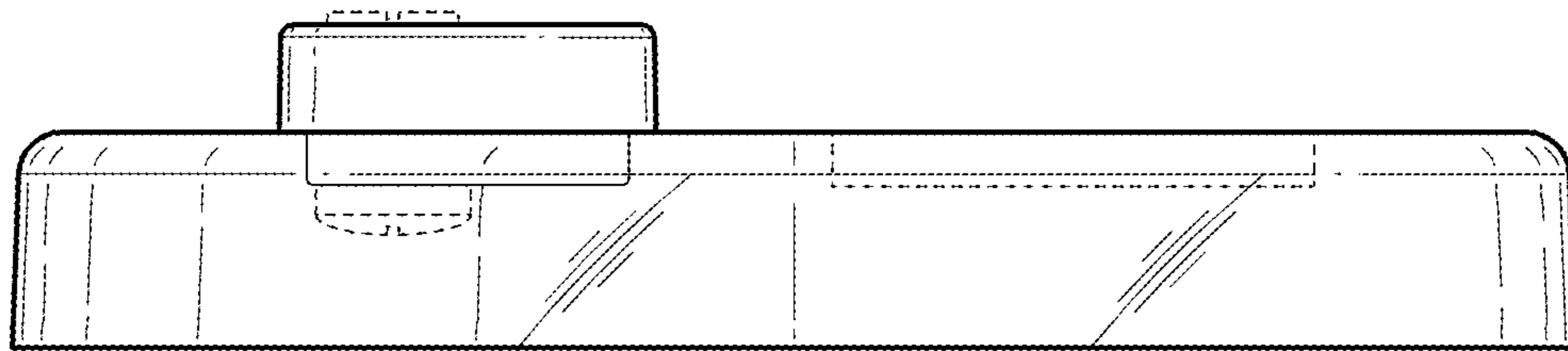


FIG. 5

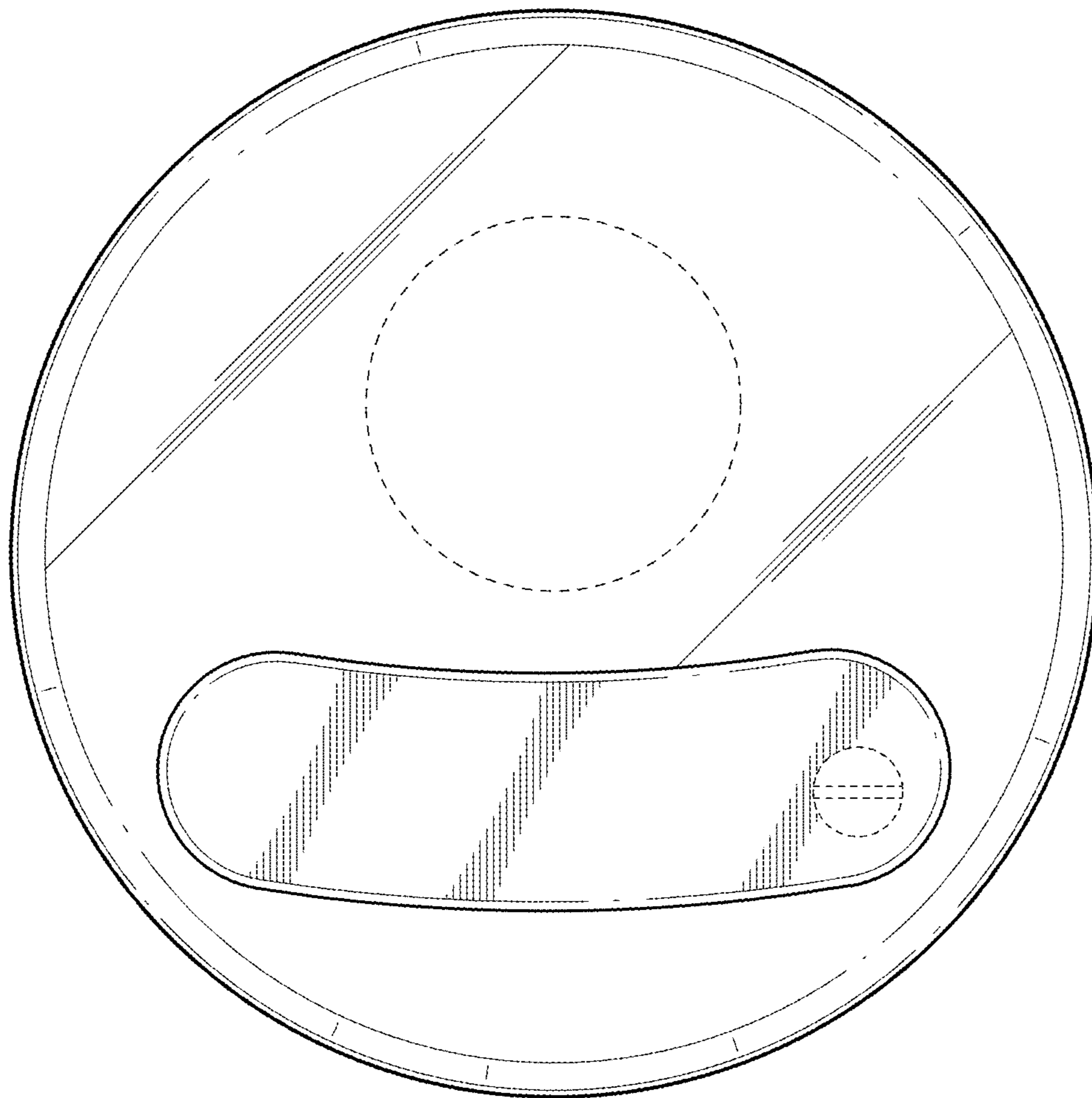


FIG. 6

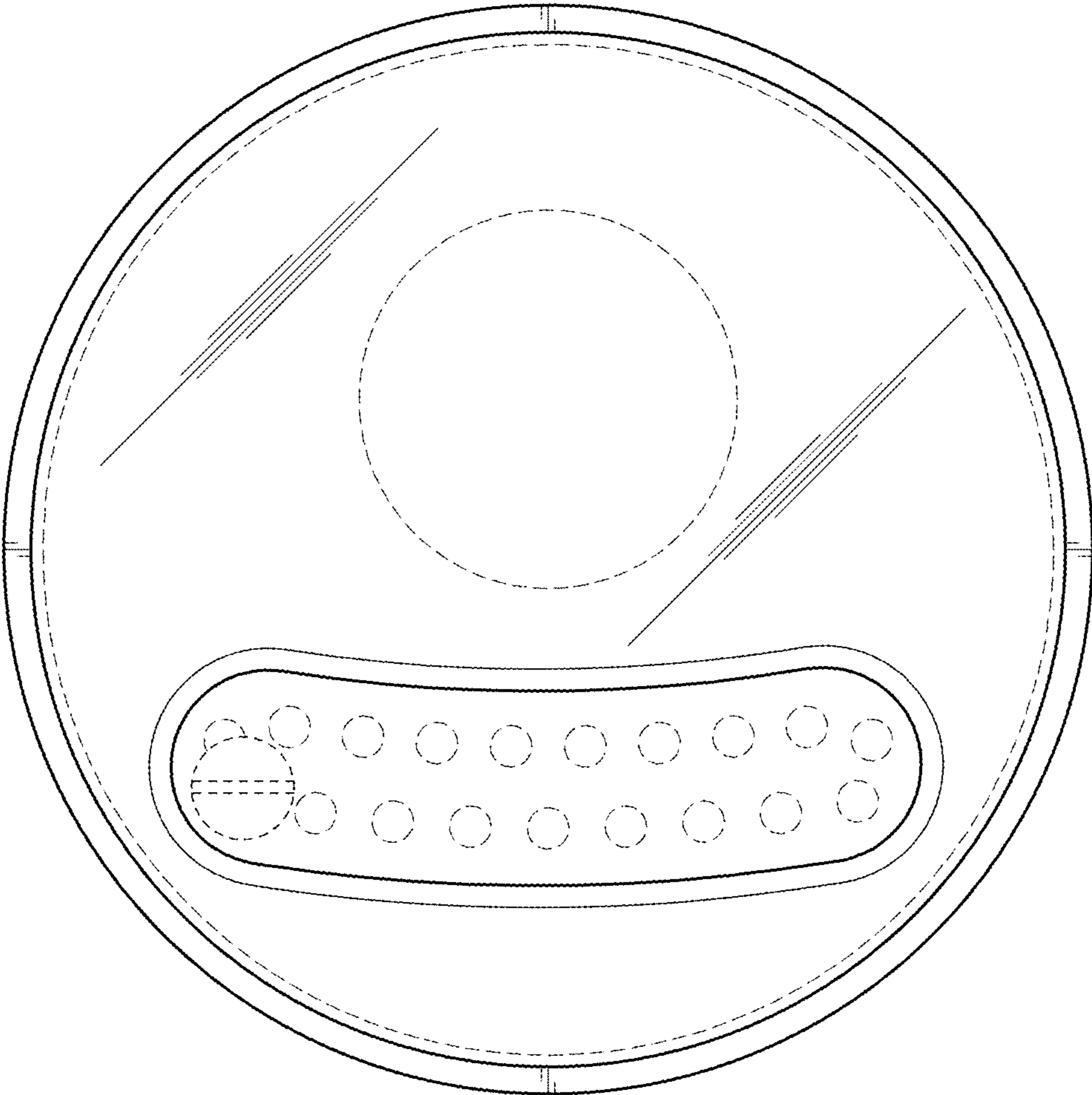


FIG. 7

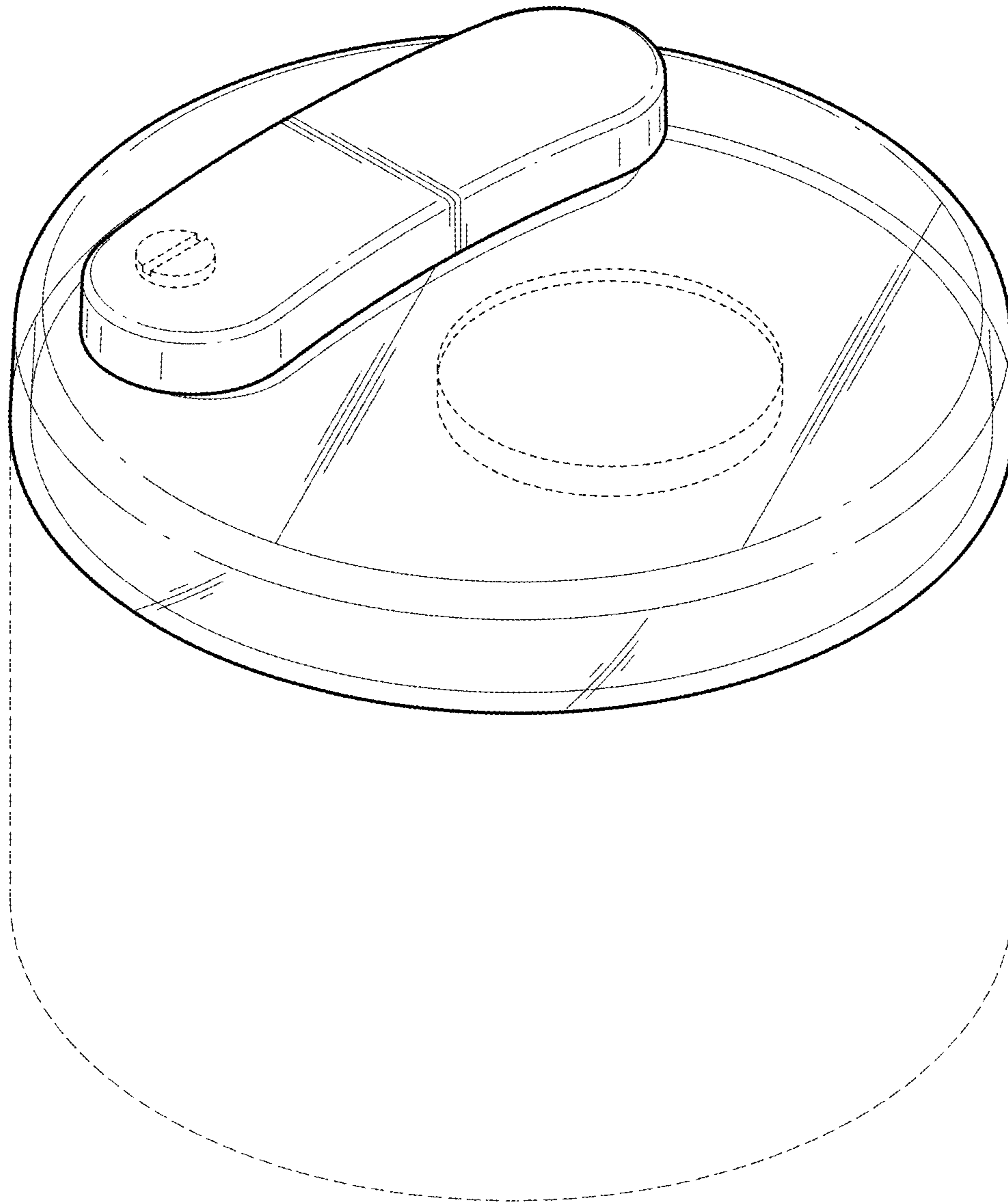


FIG. 8

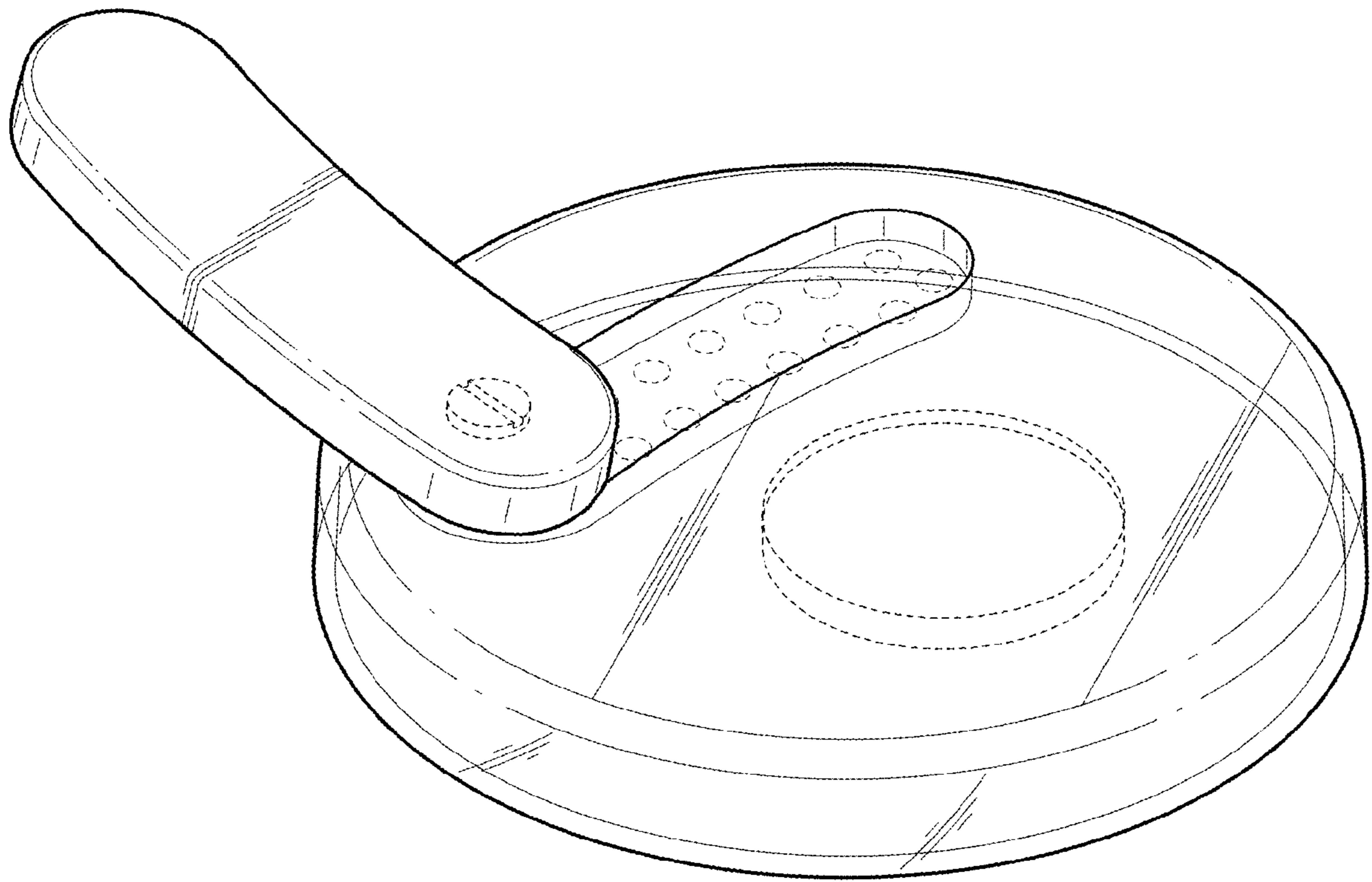


FIG. 9

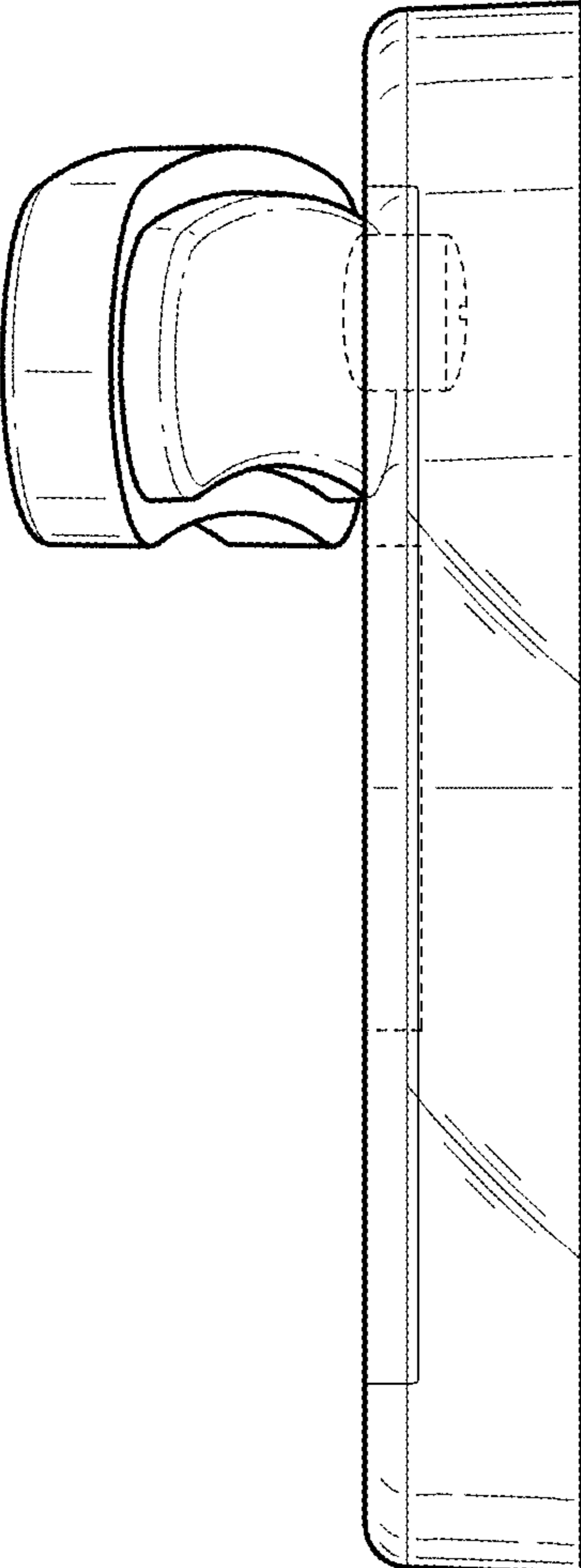


FIG. 10

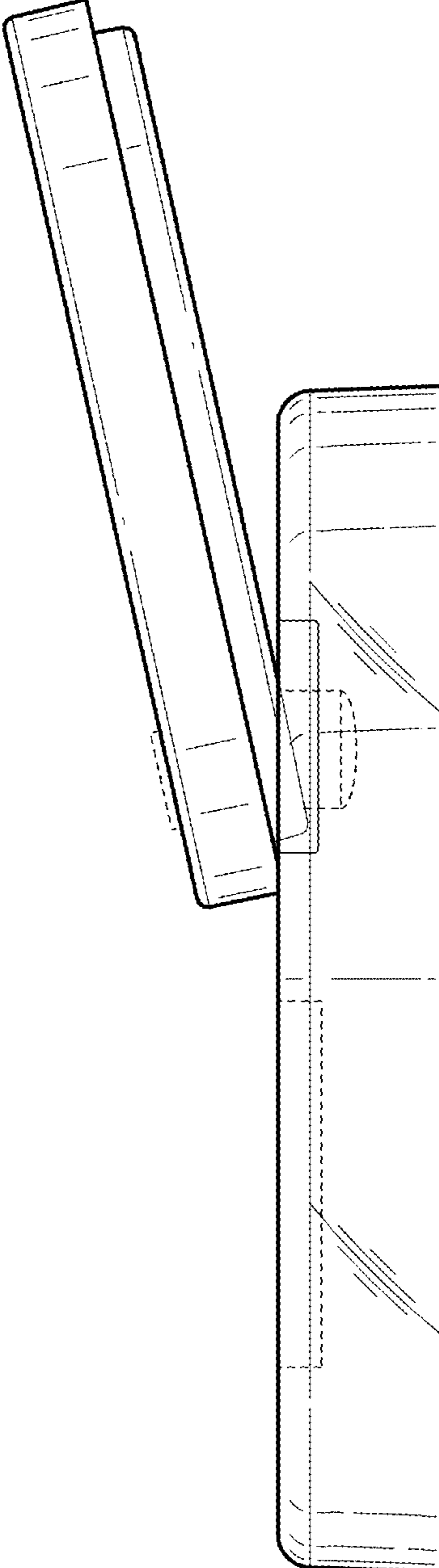


FIG. 11

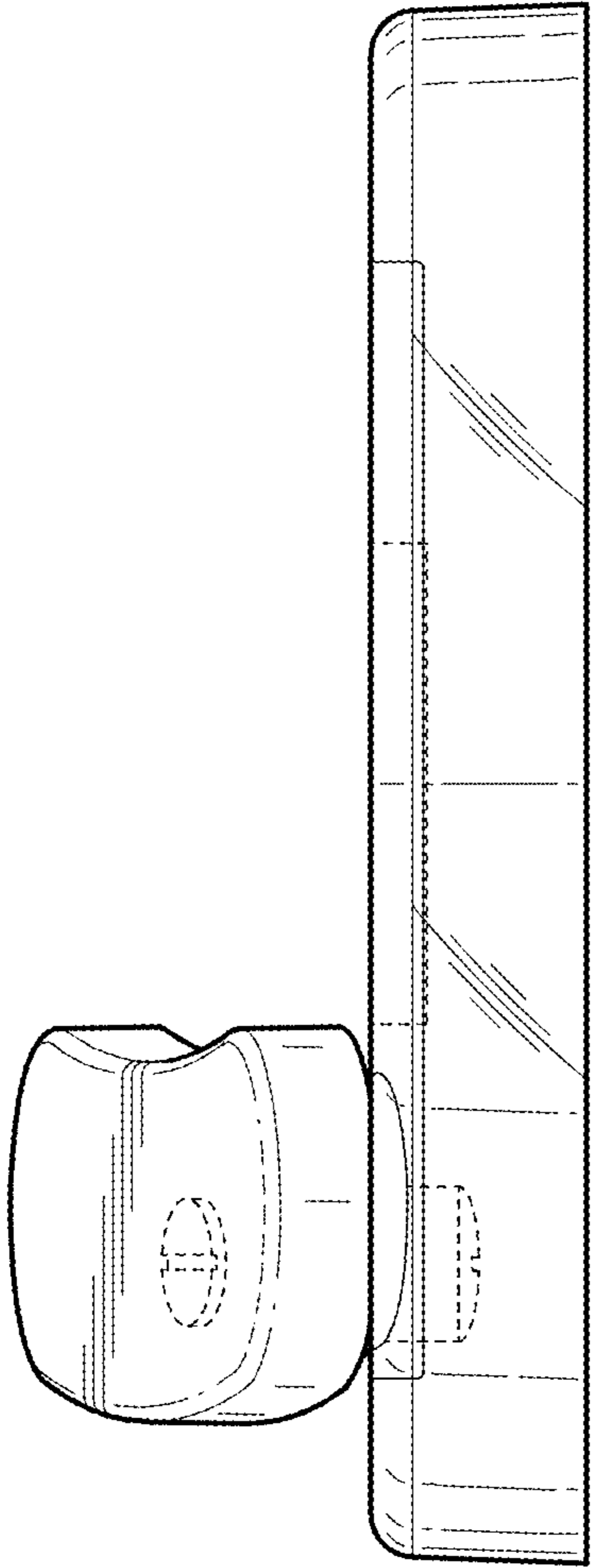


FIG. 12

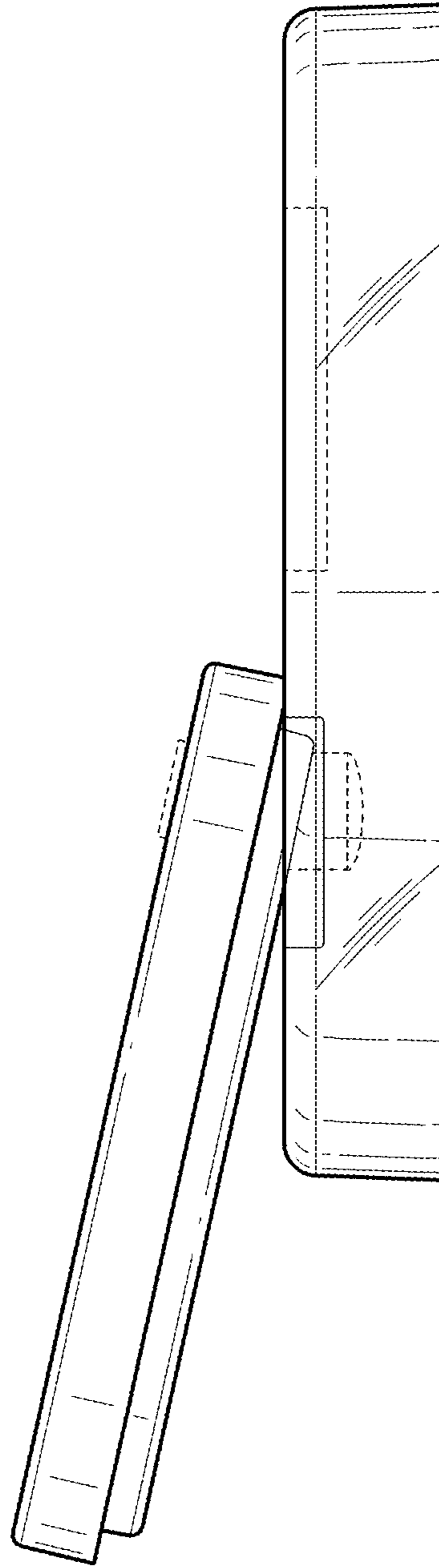


FIG. 13

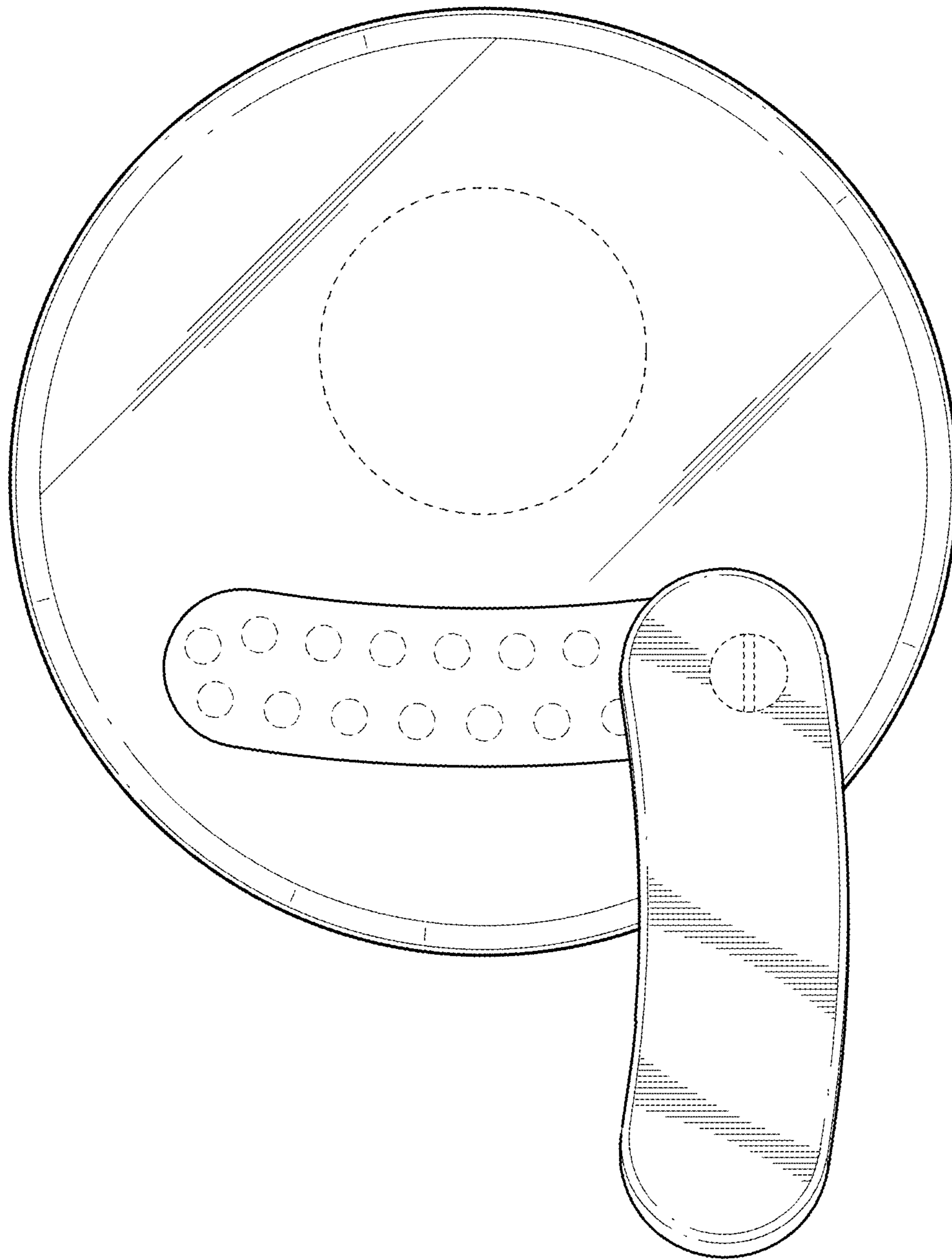


FIG. 14

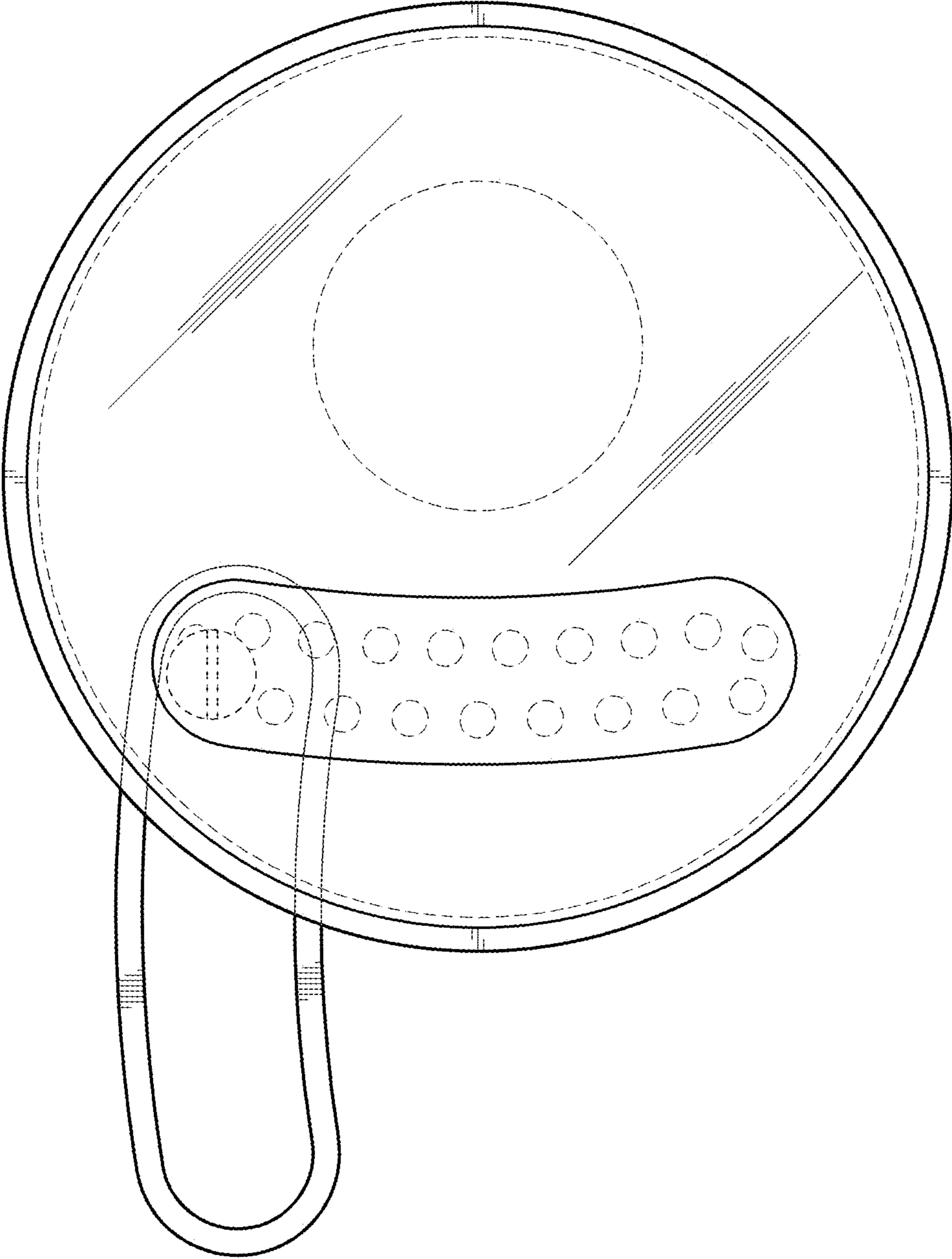


FIG. 15

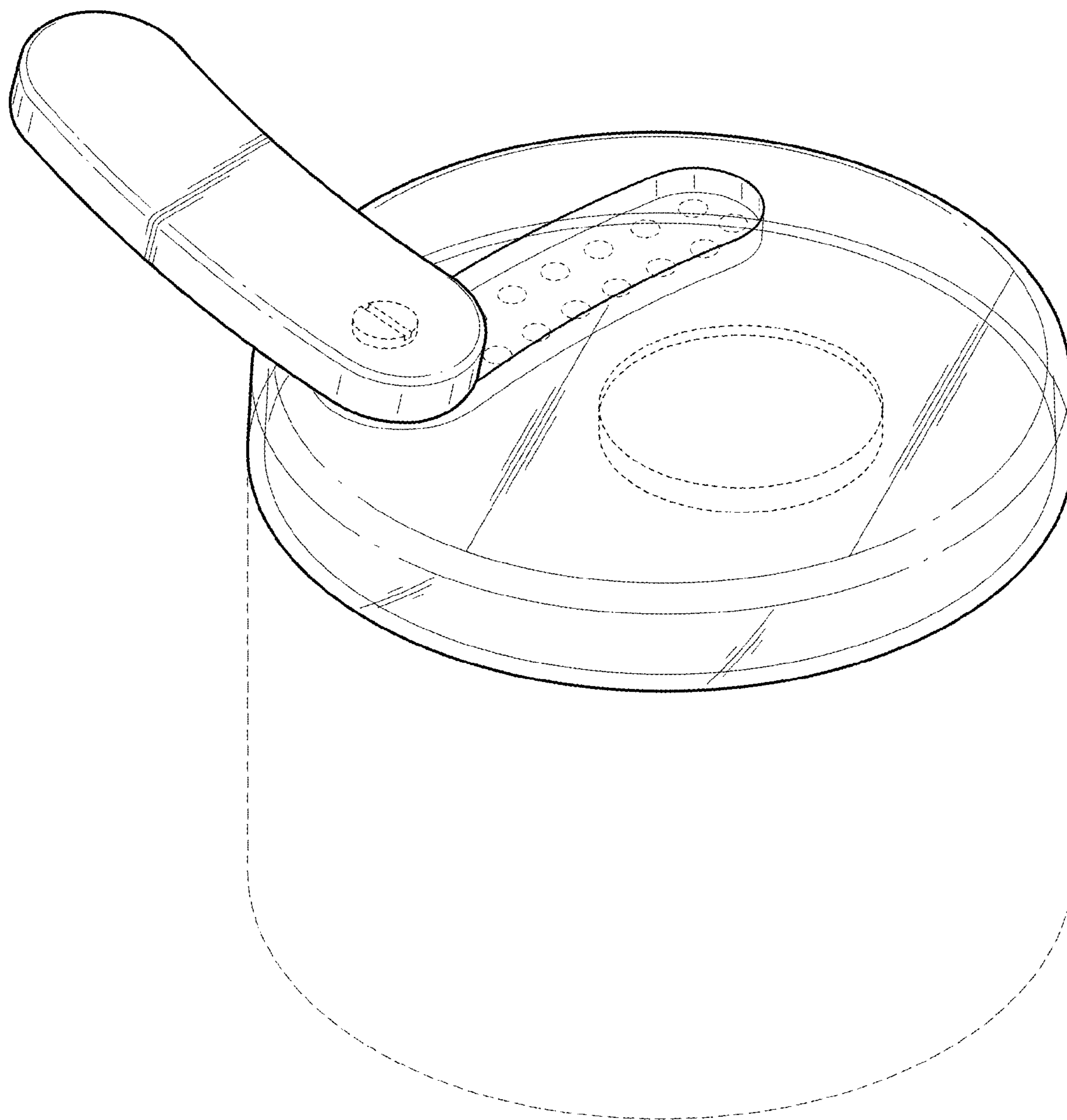


FIG. 16

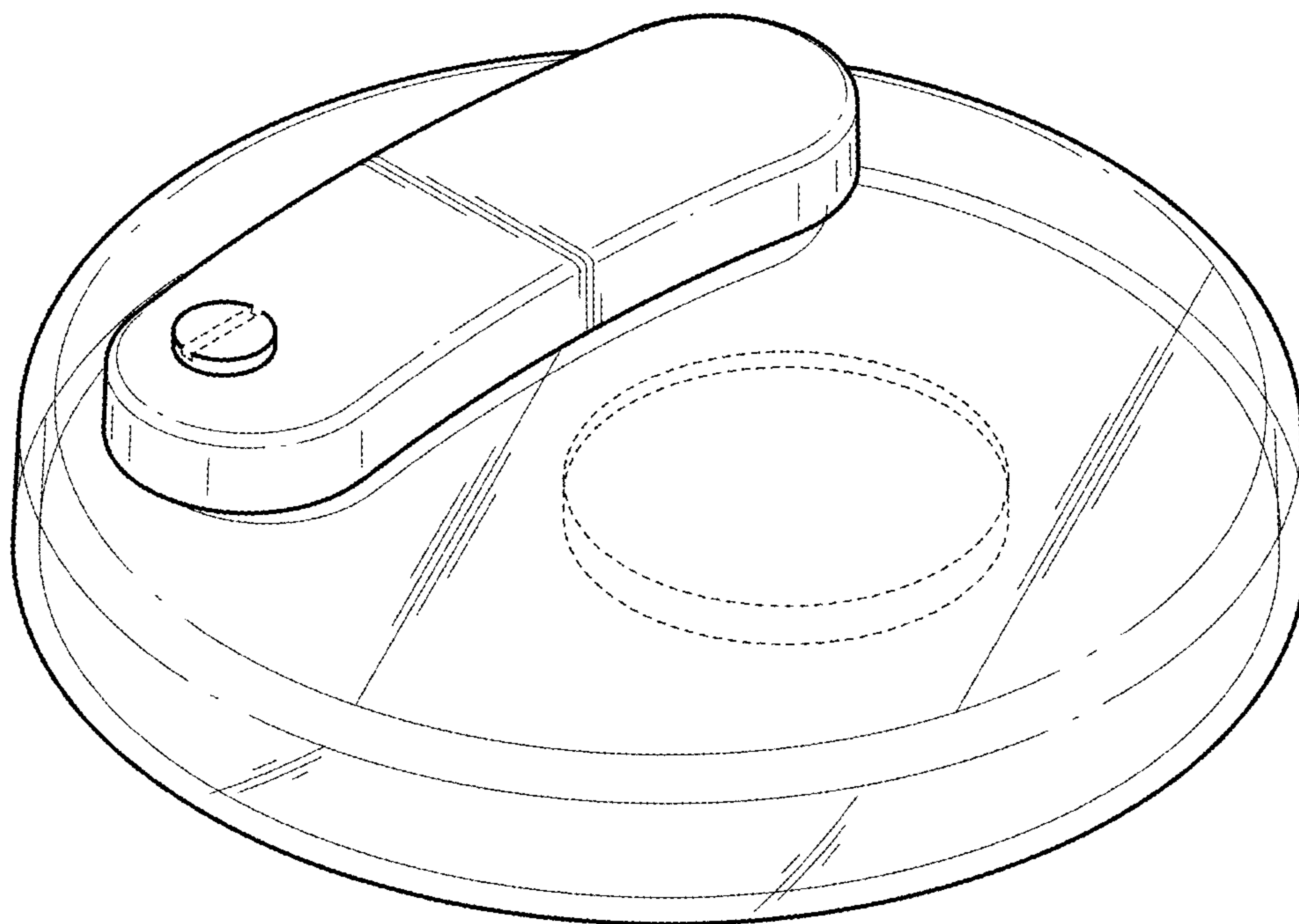


FIG. 17

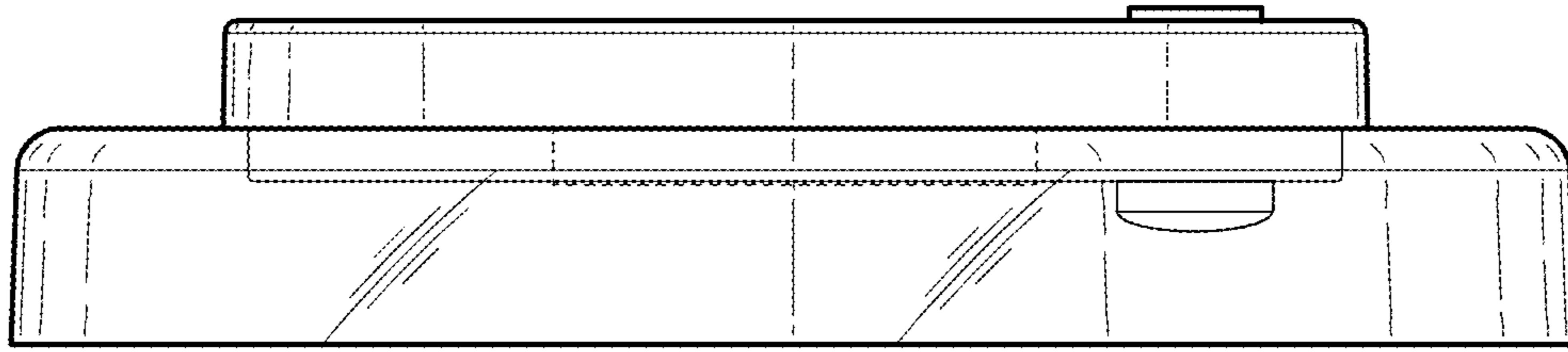


FIG. 18

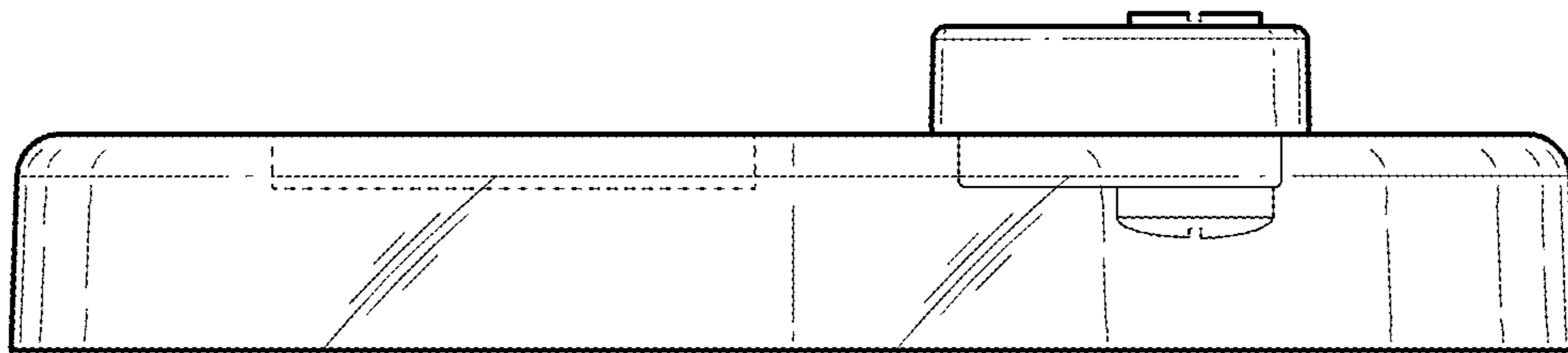


FIG. 19

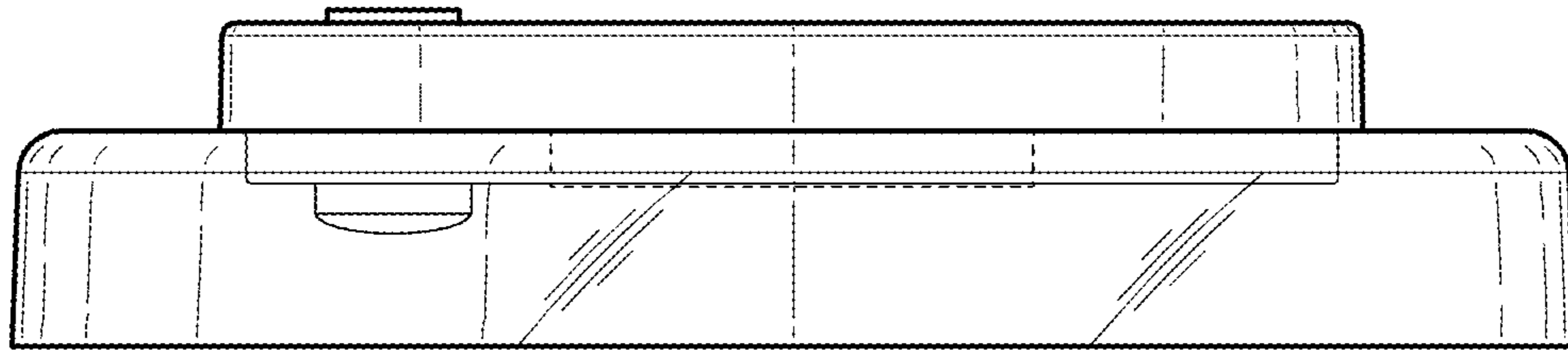


FIG. 20

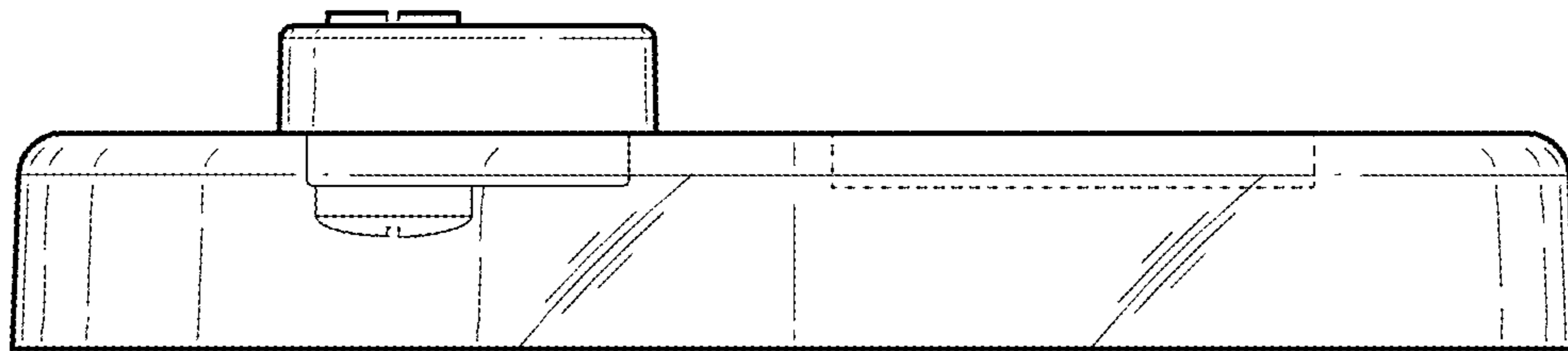


FIG. 21

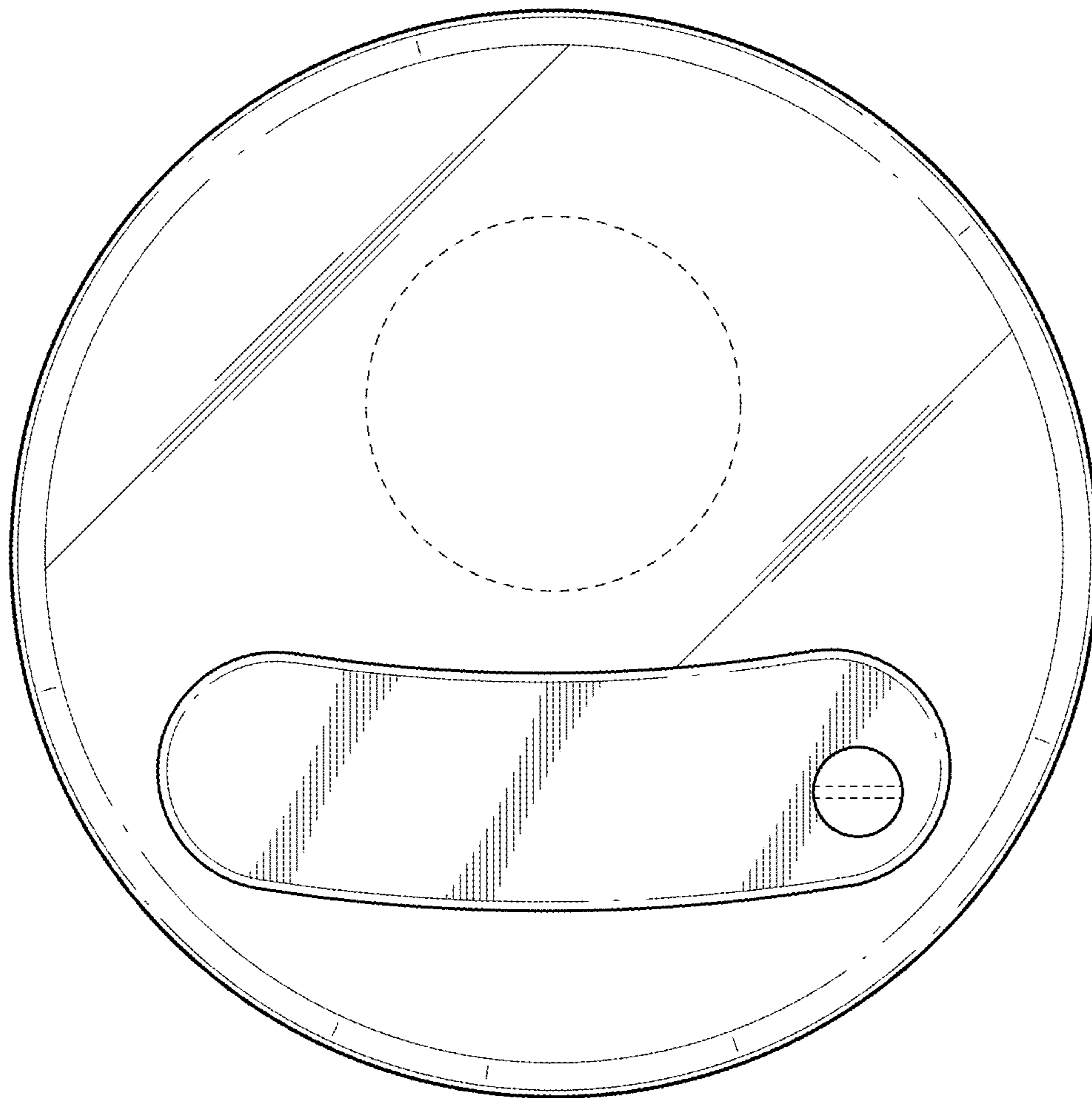


FIG. 22

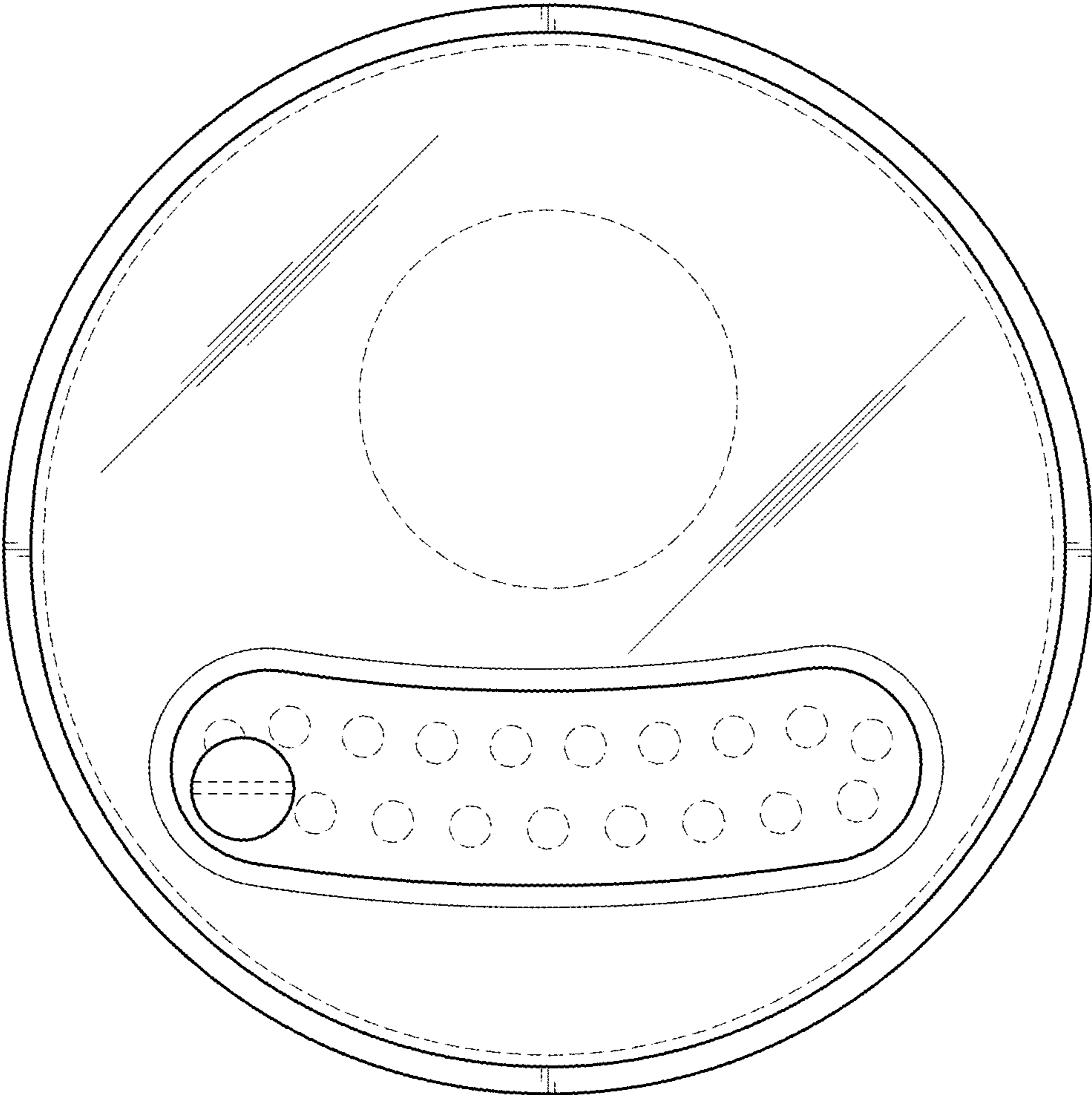


FIG. 23

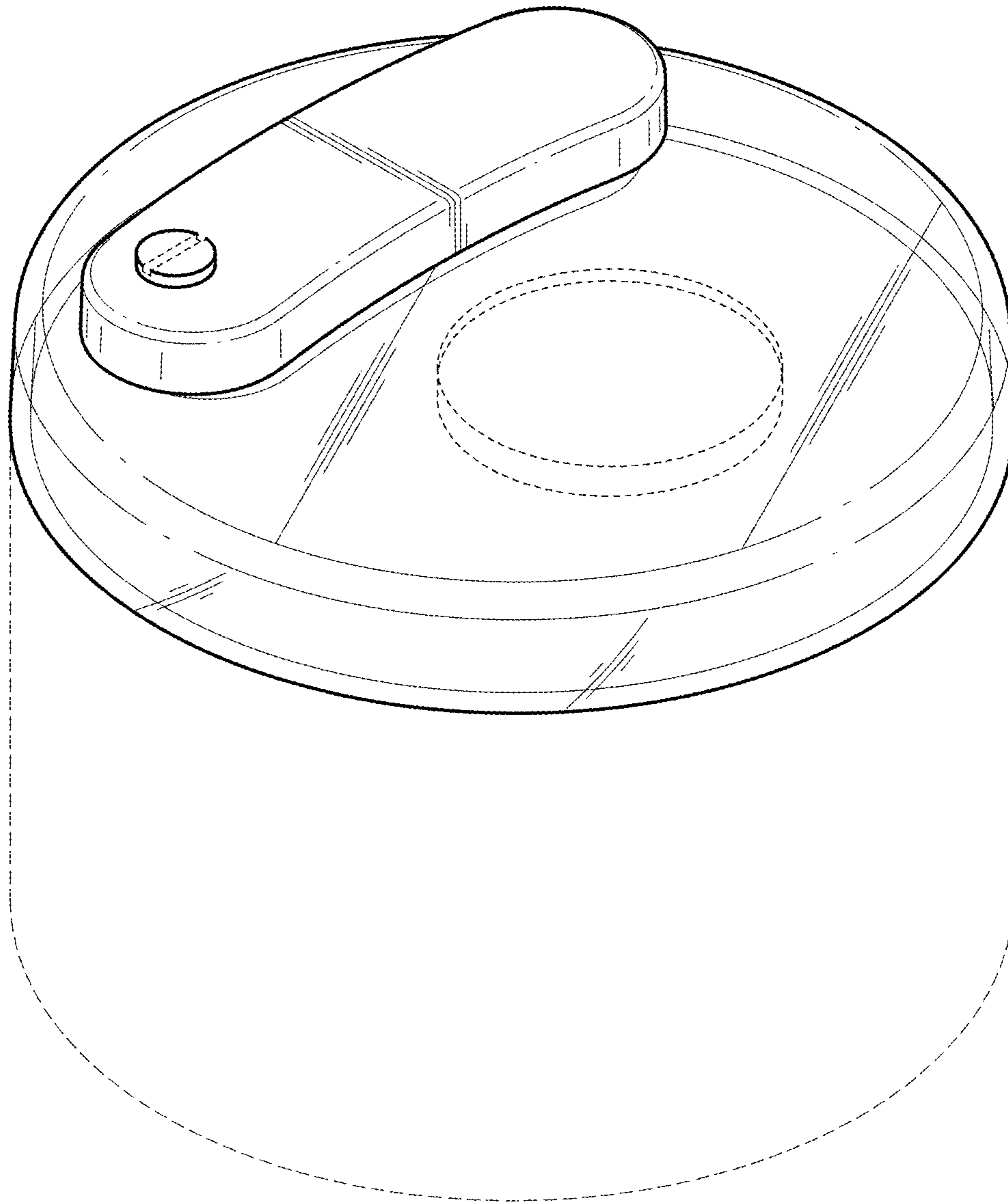


FIG. 24

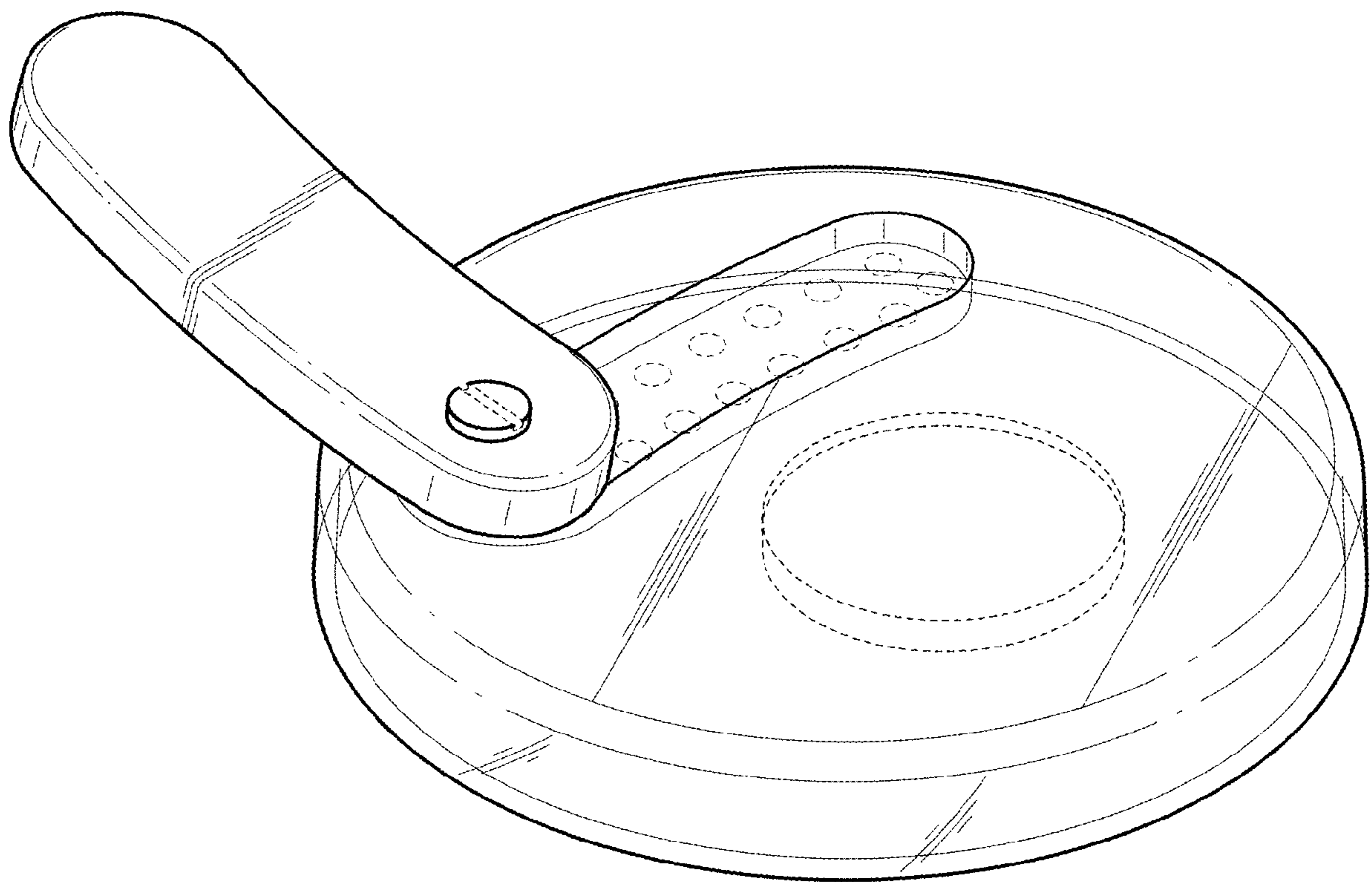


FIG. 25

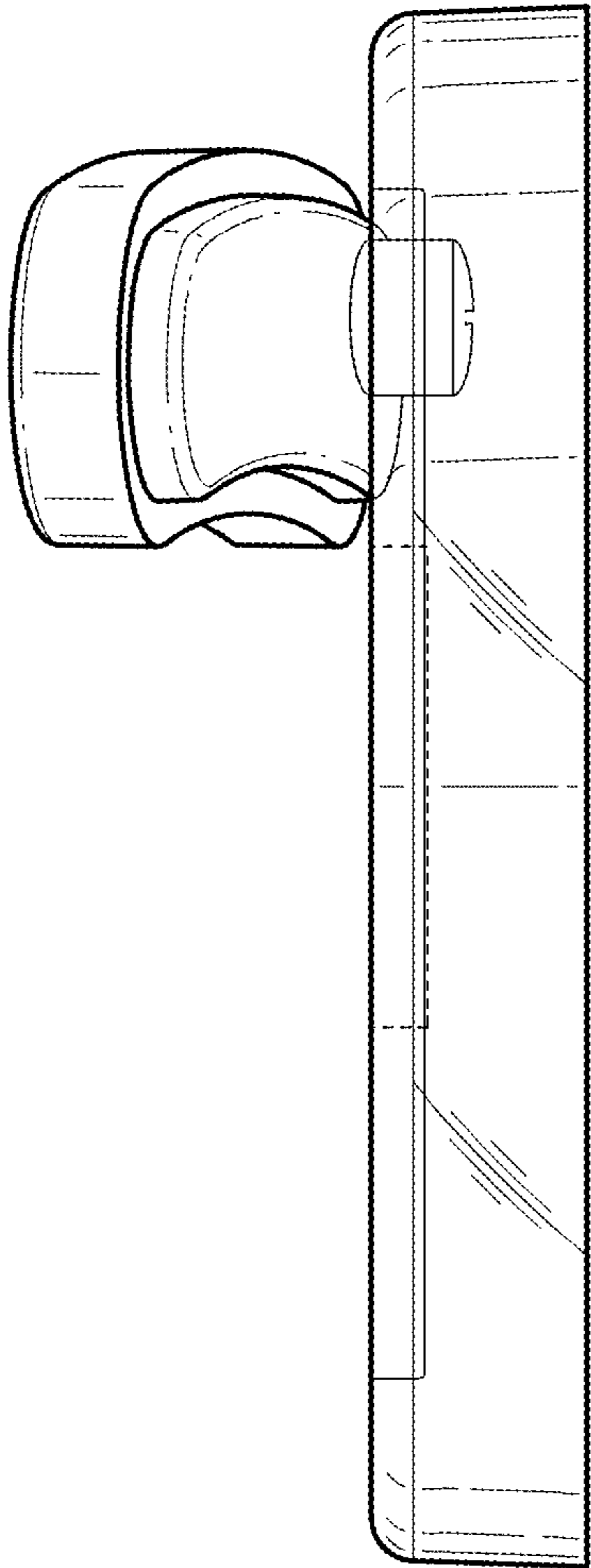


FIG. 26

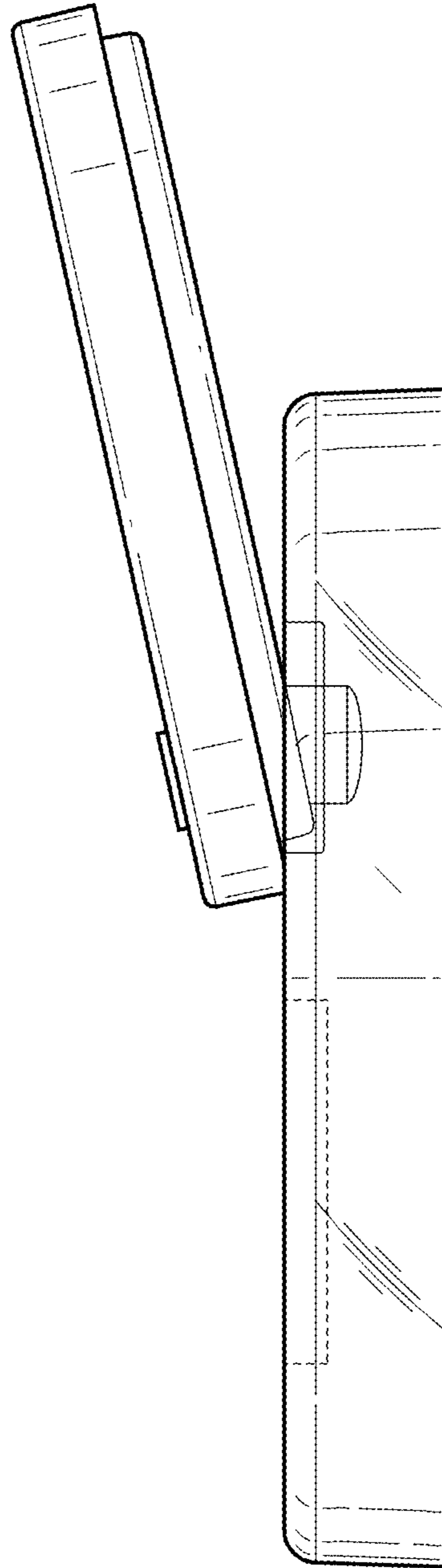


FIG. 27

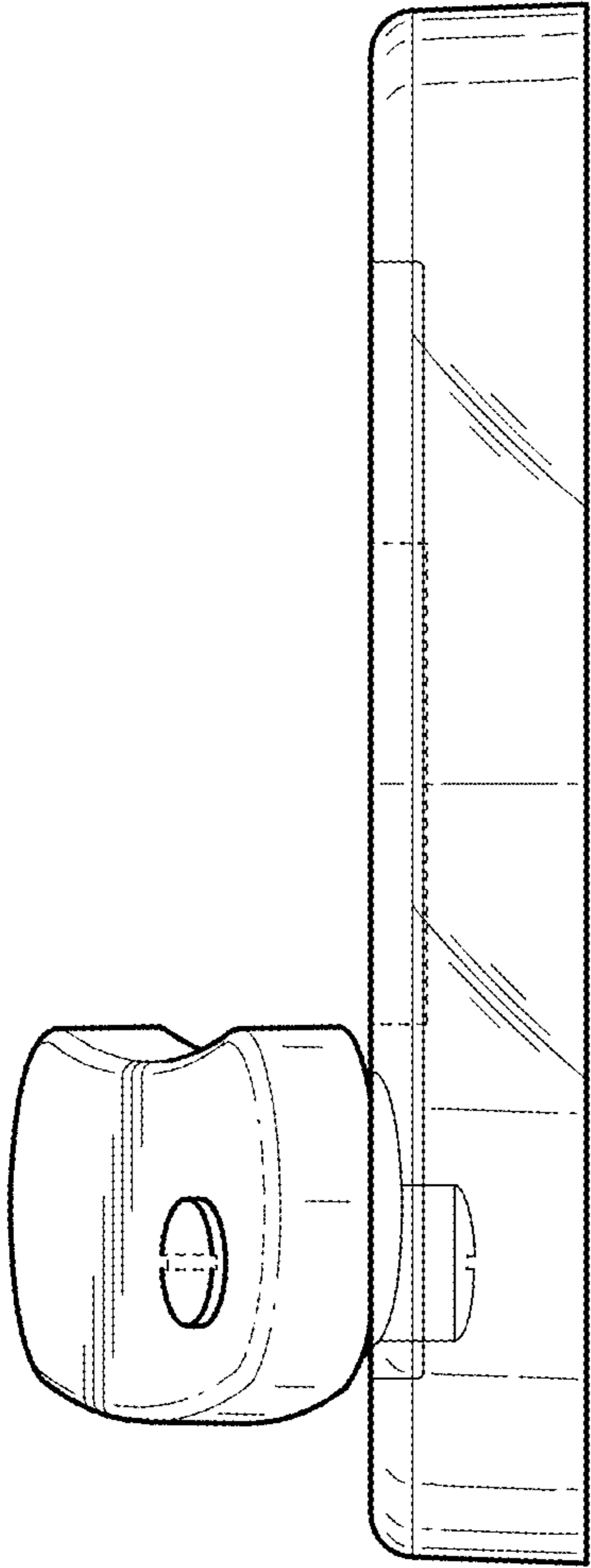


FIG. 28

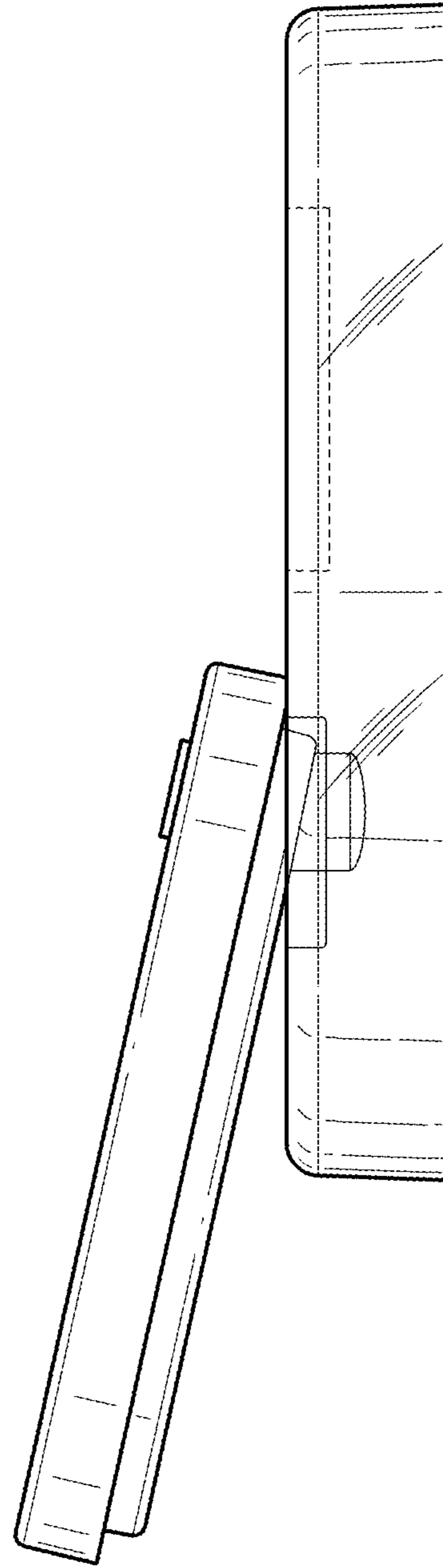


FIG. 29

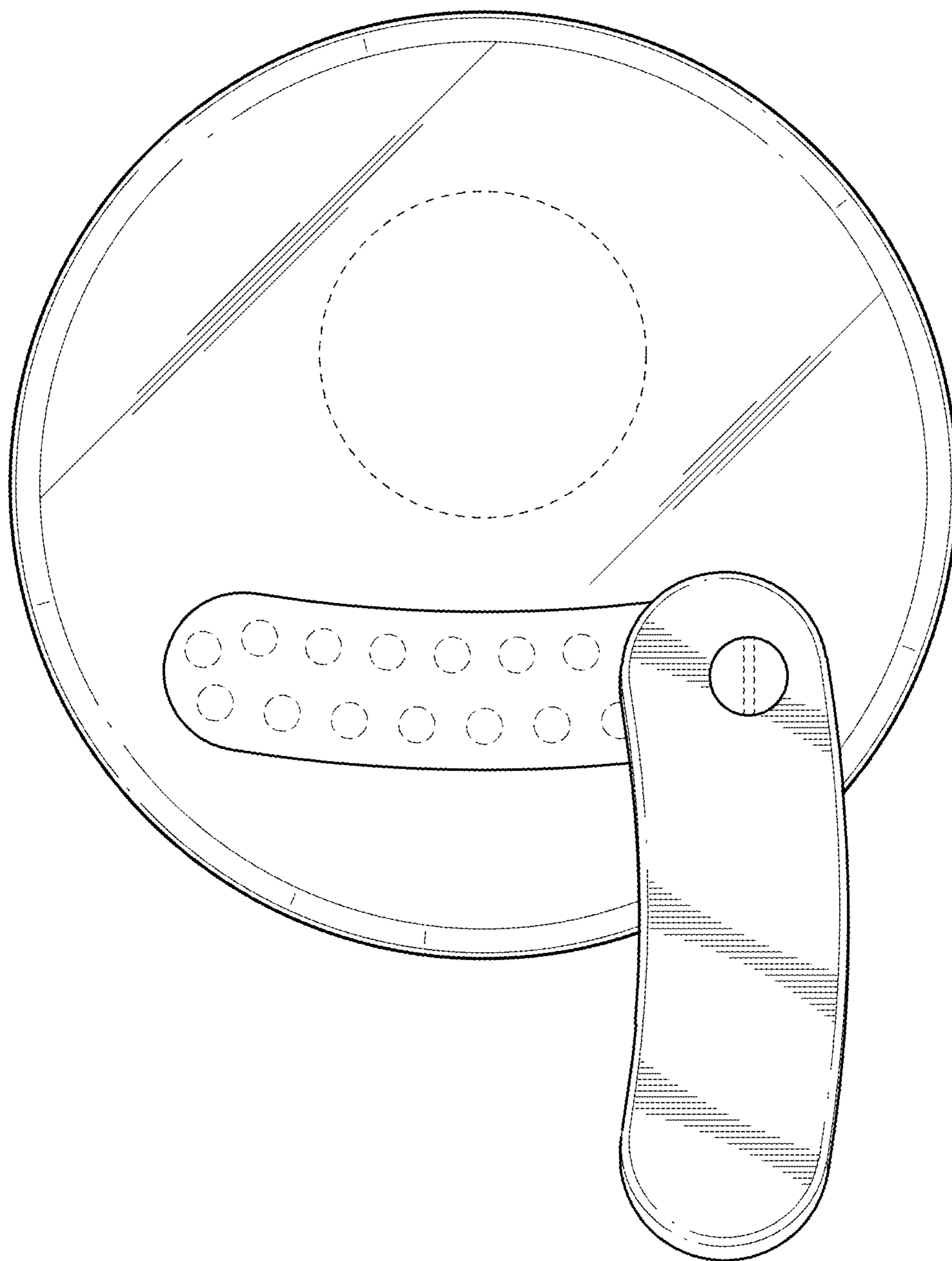


FIG. 30

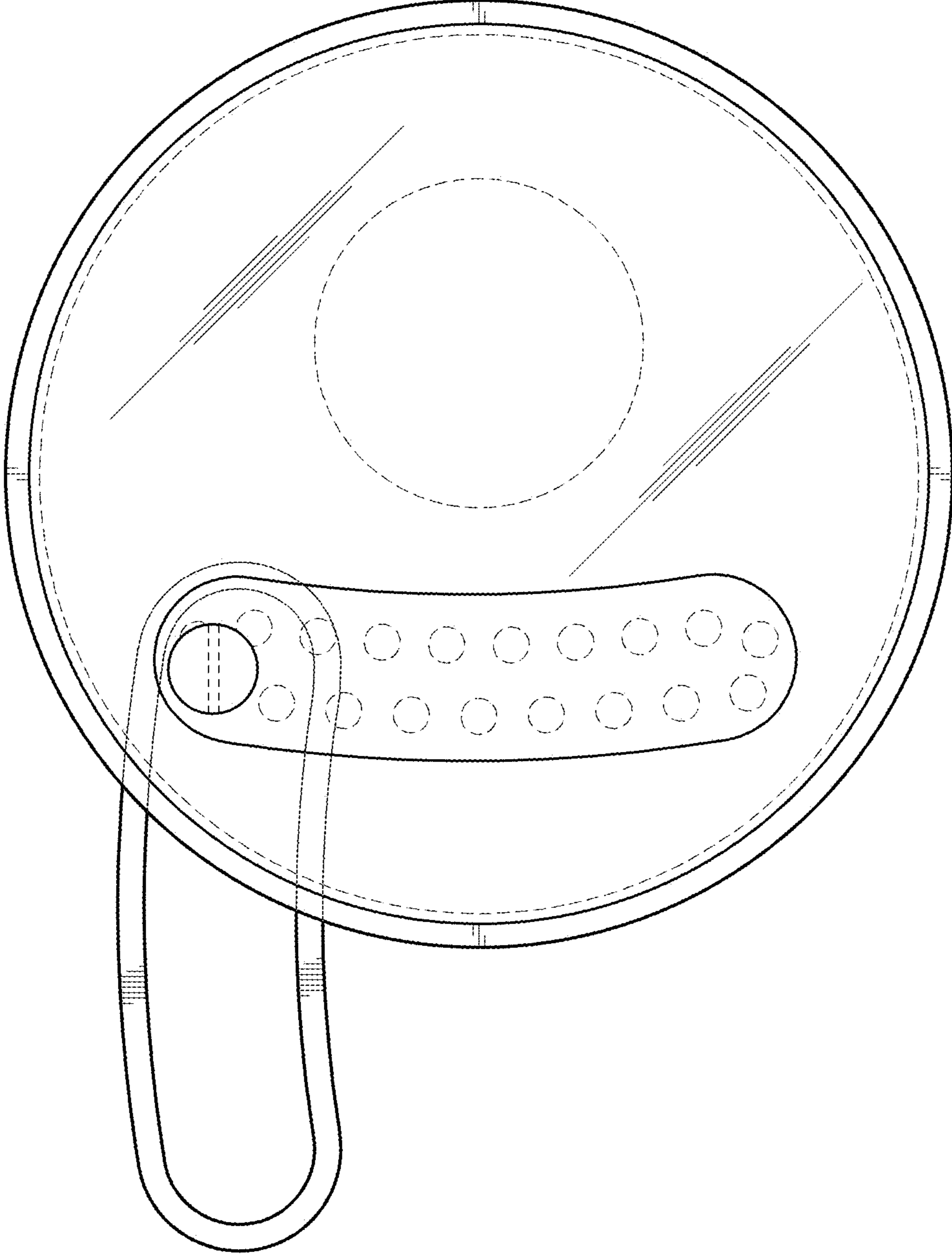


FIG. 31

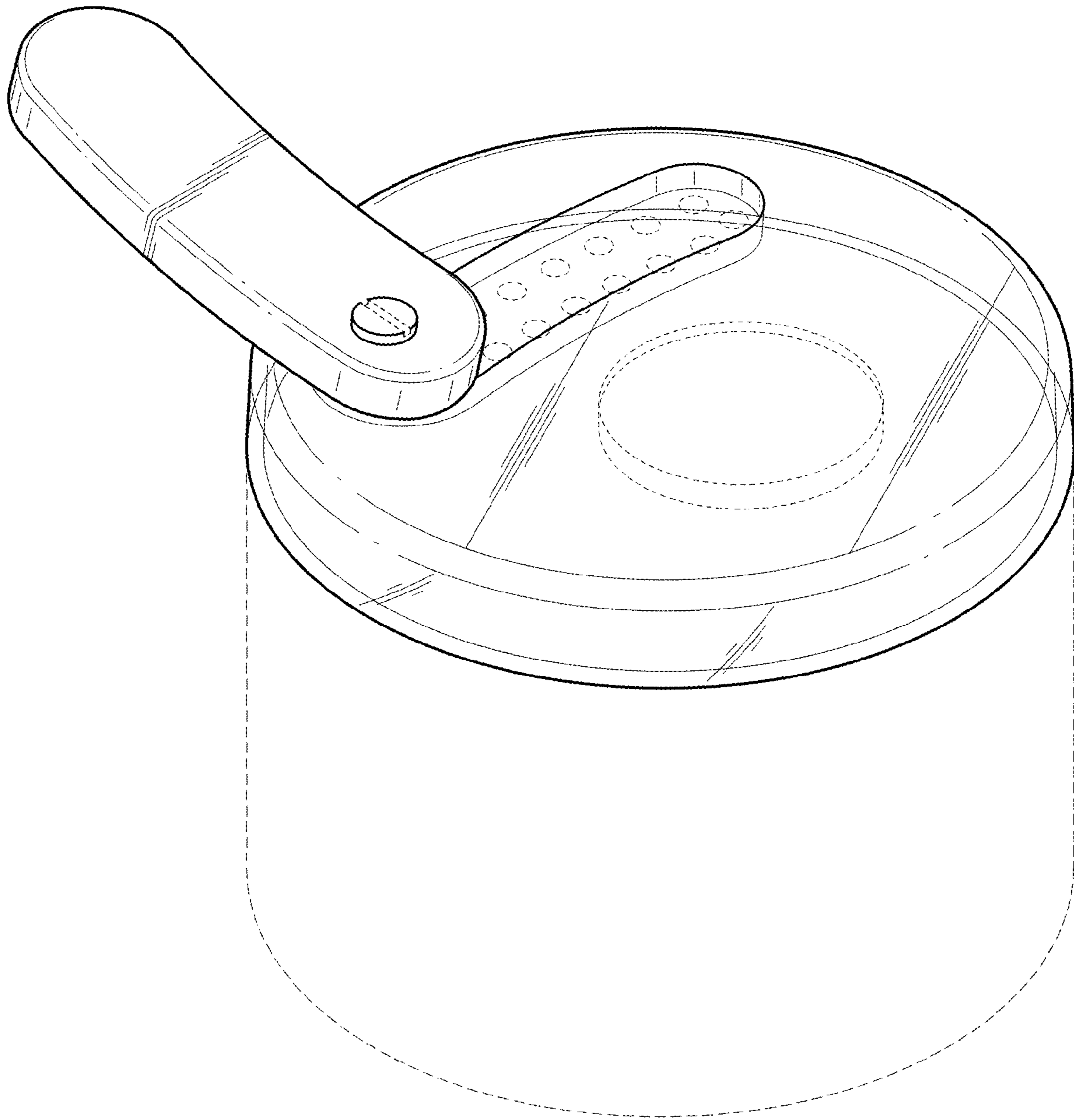


FIG. 32