



US00D887841S

(12) **United States Design Patent**  
**Vallotton et al.**

(10) **Patent No.:** **US D887,841 S**  
(45) **Date of Patent:** **\*\* Jun. 23, 2020**

(54) **CAP FOR PHARMACEUTICAL CONTAINERS**

(71) Applicant: **B. Braun Melsungen AG**, Melsungen (DE)

(72) Inventors: **Raphaël Vallotton**, Blonay (CH);  
**Michel Pittet**, Aumont/FR (CH)

(73) Assignee: **B. Braun Melsungen AG**, Melsungen (DE)

(\*\*) Term: **15 Years**

(21) Appl. No.: **29/685,485**

(22) Filed: **Mar. 28, 2019**

**Related U.S. Application Data**

(62) Division of application No. 29/600,128, filed on Apr. 10, 2017.

**Foreign Application Priority Data**

Oct. 10, 2016 (EP) ..... 003413541

(51) **LOC (12) Cl.** ..... **09-07**

(52) **U.S. Cl.**

USPC ..... **D9/435**; D9/436

(58) **Field of Classification Search**

USPC ..... D3/201, 202, 203.1, 203.2, 203.3, 204;  
D9/414-419, 421-425, 427-429,  
D9/430-436, 443, 444, 447, 455-457,  
D9/499; D24/121, 129, 224-227;  
D7/392.1

CPC ..... A61J 1/1406; A61J 1/1431; A61J 1/1412;  
B65D 51/002

See application file for complete search history.

(56) **References Cited**

**U.S. PATENT DOCUMENTS**

D130,156 S 10/1941 Perrin  
D181,332 S 11/1957 Anderson

D227,744 S 7/1973 Mitchko  
D245,991 S 10/1977 Gravel  
D278,930 S 5/1985 Zaccai et al.  
D285,118 S 8/1986 Huang  
D316,449 S 4/1991 D'Aquino et al.  
D321,940 S 11/1991 D'Aquino et al.

(Continued)

**FOREIGN PATENT DOCUMENTS**

EP 0022460740001 5/2013  
EP 0022460740002 5/2013

**OTHER PUBLICATIONS**

FDA. Useful Handling Tips for Ecoflac plus. No date specified.  
<https://www.fda.gov/media/89938/download> (Year: 0).\*

(Continued)

*Primary Examiner* — George D. Kirschbaum

*Assistant Examiner* — Darcey E Gottschalk

(57) **CLAIM**

The ornamental design for a cap for pharmaceutical containers, as shown and described.

**DESCRIPTION**

FIG. 1 is a perspective view of a cap for pharmaceutical containers;

FIG. 2 is a top plan view thereof;

FIG. 3 is a bottom plan view thereof;

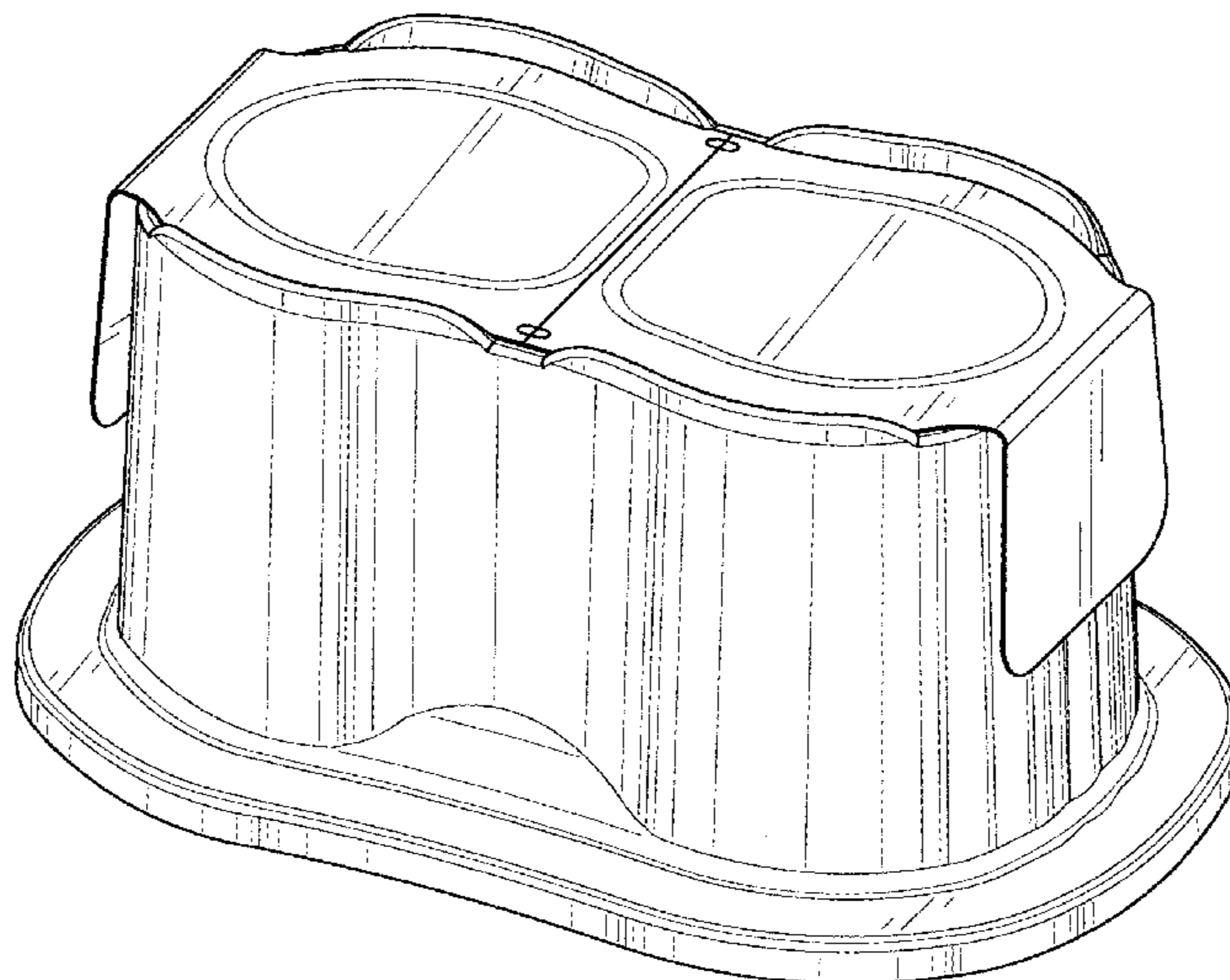
FIG. 4 is a front elevation view thereof;

FIG. 5 is a rear elevation view thereof;

FIG. 6 is an elevation view thereof from the right side; and,  
FIG. 7 is an elevation view thereof from the left side.

The broken line showing of the cap for pharmaceutical containers is for the purpose of illustrating portions of the cap for pharmaceutical containers and forms no part of the claimed design.

**1 Claim, 7 Drawing Sheets**



(56)

References Cited

U.S. PATENT DOCUMENTS

D345,611 S 3/1994 Long  
 D349,647 S 8/1994 Moffitt  
 D351,087 S \* 10/1994 Anderson ..... D7/541  
 5,873,494 A \* 2/1999 Dallas, Jr. .... B65D 47/2006  
 222/129  
 5,896,892 A 4/1999 Adamson et al.  
 D465,970 S \* 11/2002 Dimeo ..... D7/392.1  
 D519,728 S 5/2006 Chue  
 D522,145 S \* 5/2006 Best ..... D10/81  
 D539,084 S \* 3/2007 Cundieff ..... D7/401.1  
 D540,380 S \* 4/2007 Hoshiya ..... D18/56  
 D550,503 S \* 9/2007 Liu ..... D7/392.1  
 D574,237 S 8/2008 Yates  
 D590,255 S \* 4/2009 Maxwell ..... D9/447  
 D614,487 S 4/2010 Beam et al.  
 D684,276 S 6/2013 Hudson et al.  
 8,720,715 B2 \* 5/2014 Mader ..... A61J 1/1406  
 215/247  
 D707,039 S 6/2014 Zerlin et al.  
 D717,470 S 11/2014 Demas et al.  
 D731,672 S \* 6/2015 Kuroda ..... D24/224  
 D736,403 S 8/2015 Hudson et al.  
 D748,249 S 1/2016 Pittet et al.  
 D754,361 S 4/2016 McHale  
 D772,706 S \* 11/2016 Zhang ..... D9/434  
 D779,081 S 2/2017 McHale  
 9,731,872 B2 8/2017 Beine  
 D802,419 S 11/2017 Seiders et al.  
 D807,171 S 1/2018 Miller  
 D834,938 S \* 12/2018 Barnes ..... D9/435  
 D835,457 S \* 12/2018 Sedgwick ..... D7/392.1

OTHER PUBLICATIONS

FDA, "Useful Handling Tips for Ecoflac® Plus", downloaded at <https://www.fda.gov/media/89938/download>, 2014, 1 page.  
 Non Final Office Action for U.S. Appl. No. 29/685,475, dated Jun. 12, 2019, 15 pages.  
 Notice of Allowance for U.S. Appl. No. 29/600,128, dated Jul. 29, 2019, 12 pages.  
 Daily Med. Sodium Chloride Injection. Aug. 2014 [earliest on line date], [site visited Jun. 6, 2018]. Available from Internet, <URL:<https://dailymed.nlm.nih.gov/dailymed/fda/fdaDrugXsl.cfm?setid=271e8b0f-d051-48a7-9093-8b53078a6a07&type=display>>. (Year: 2014)—5 pages.  
 German Healthcare Export Group. High demands—High quality infusion container Ecoflac® plus. 2018 [earliest online date], [site visited Jun. 6, 2018]. Available from Internet, <URL:<https://www.gheg.de/en/products/high-demands-high-quality-infusion-container-ecoflac-plus/>>. (Year: 2018)—4 pages.  
 Entire patent prosecution history of U.S. Appl. No. 29/600,128, filed Apr. 10, 2017, entitled "Cap System for Pharmaceutical Containers."  
 Non Final Office Action for U.S. Appl. No. 29/685,474, dated Nov. 25, 2019, 24 pages.  
 Non Final Office Action for U.S. Appl. No. 29/685,477, dated Nov. 25, 2019, 25 pages.  
 Non Final Office Action for U.S. Appl. No. 29/685,482, dated Nov. 25, 2019, 24 pages.  
 Notice of Allowance for U.S. Appl. No. 29/685,475, dated Oct. 24, 2019, 11 pages.

\* cited by examiner

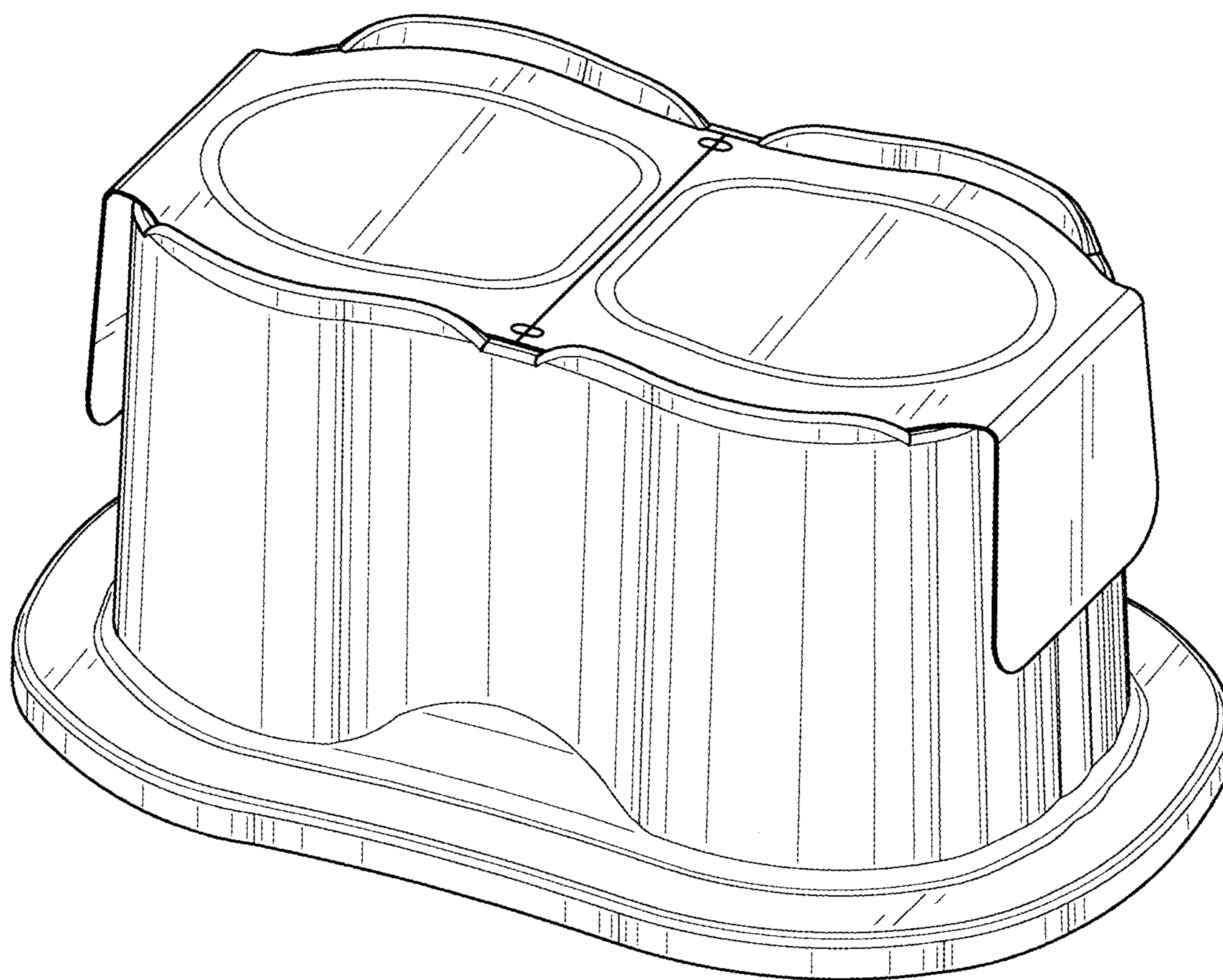


FIG. 1

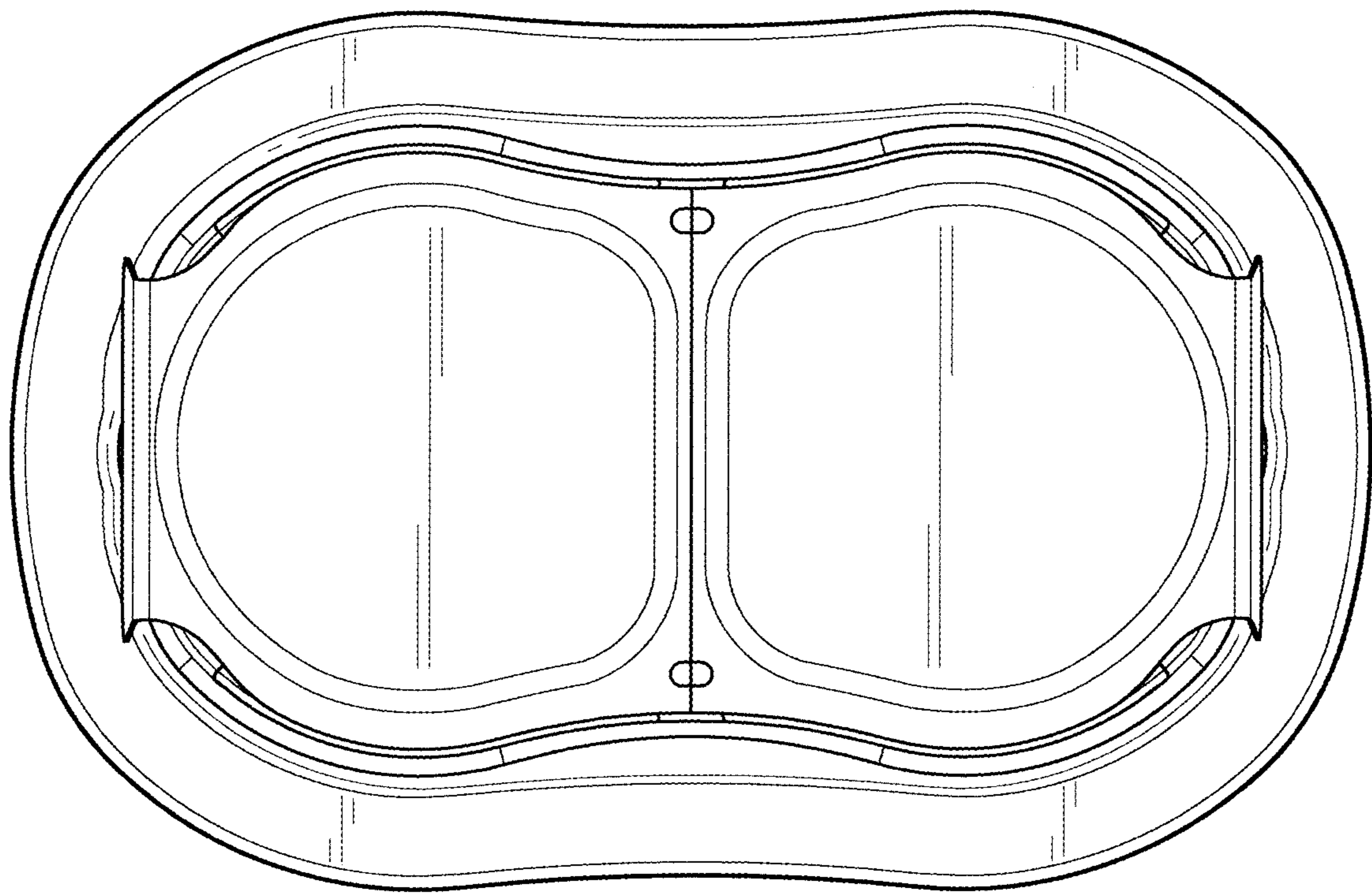


FIG. 2

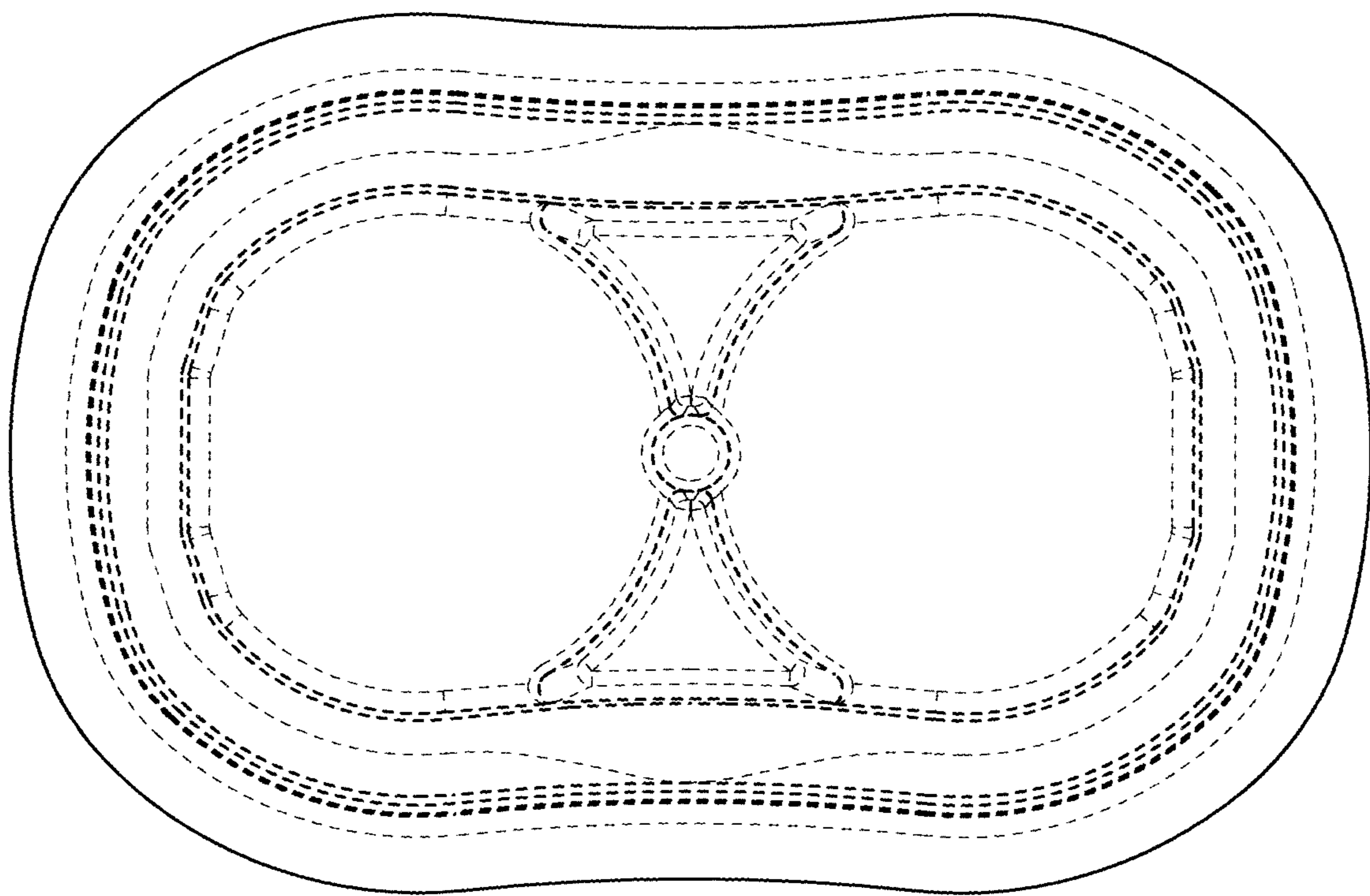


FIG. 3

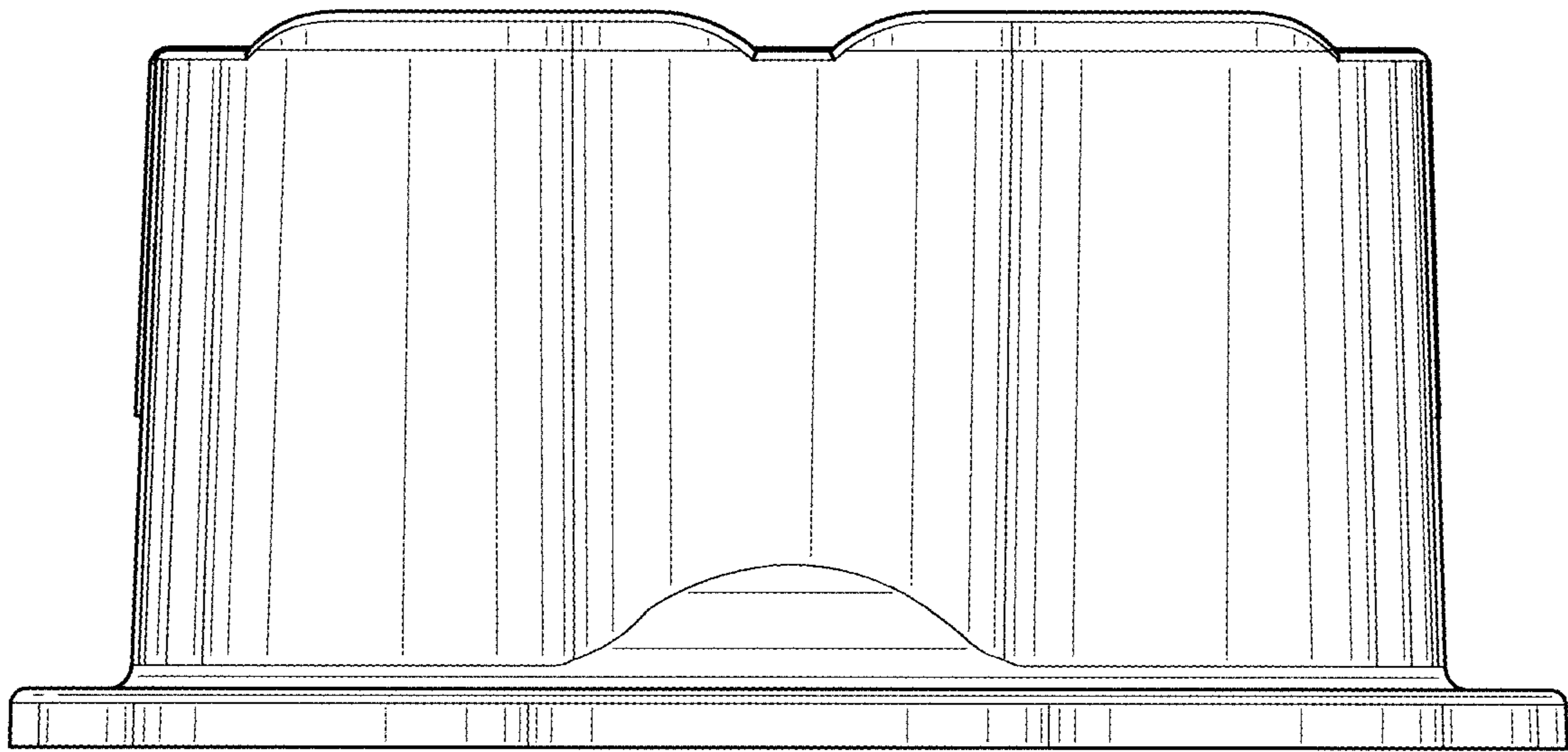


FIG. 4

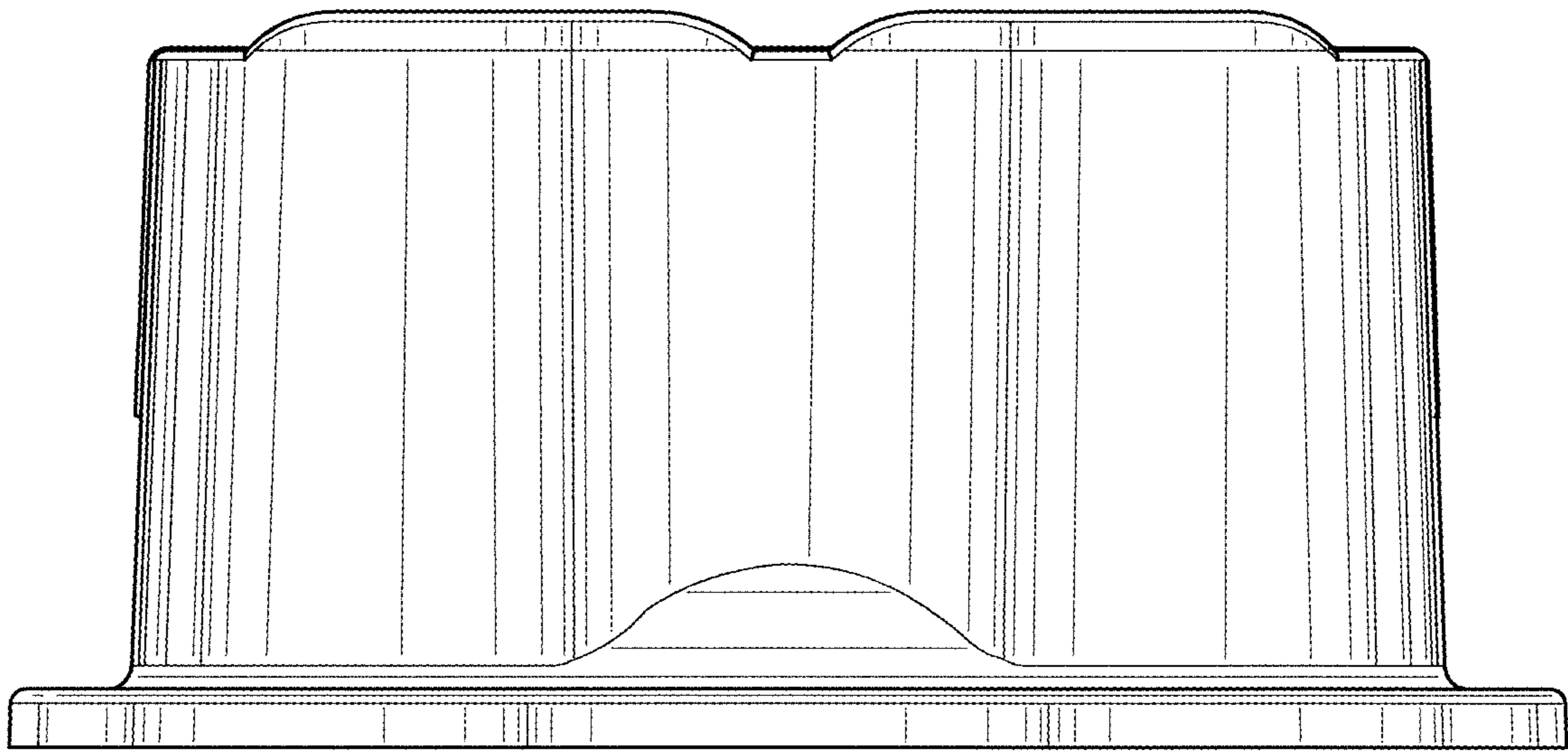


FIG. 5

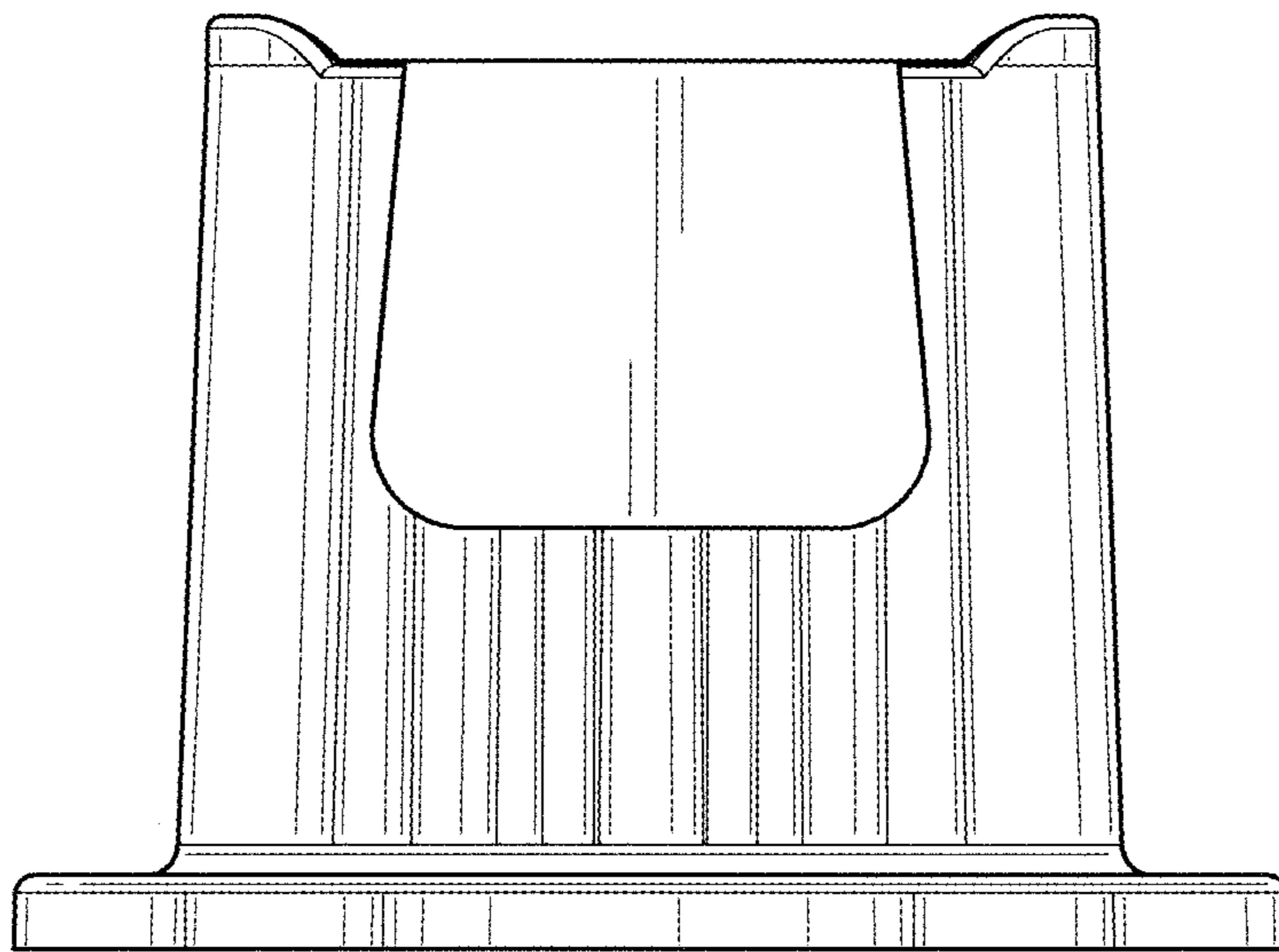


FIG. 6



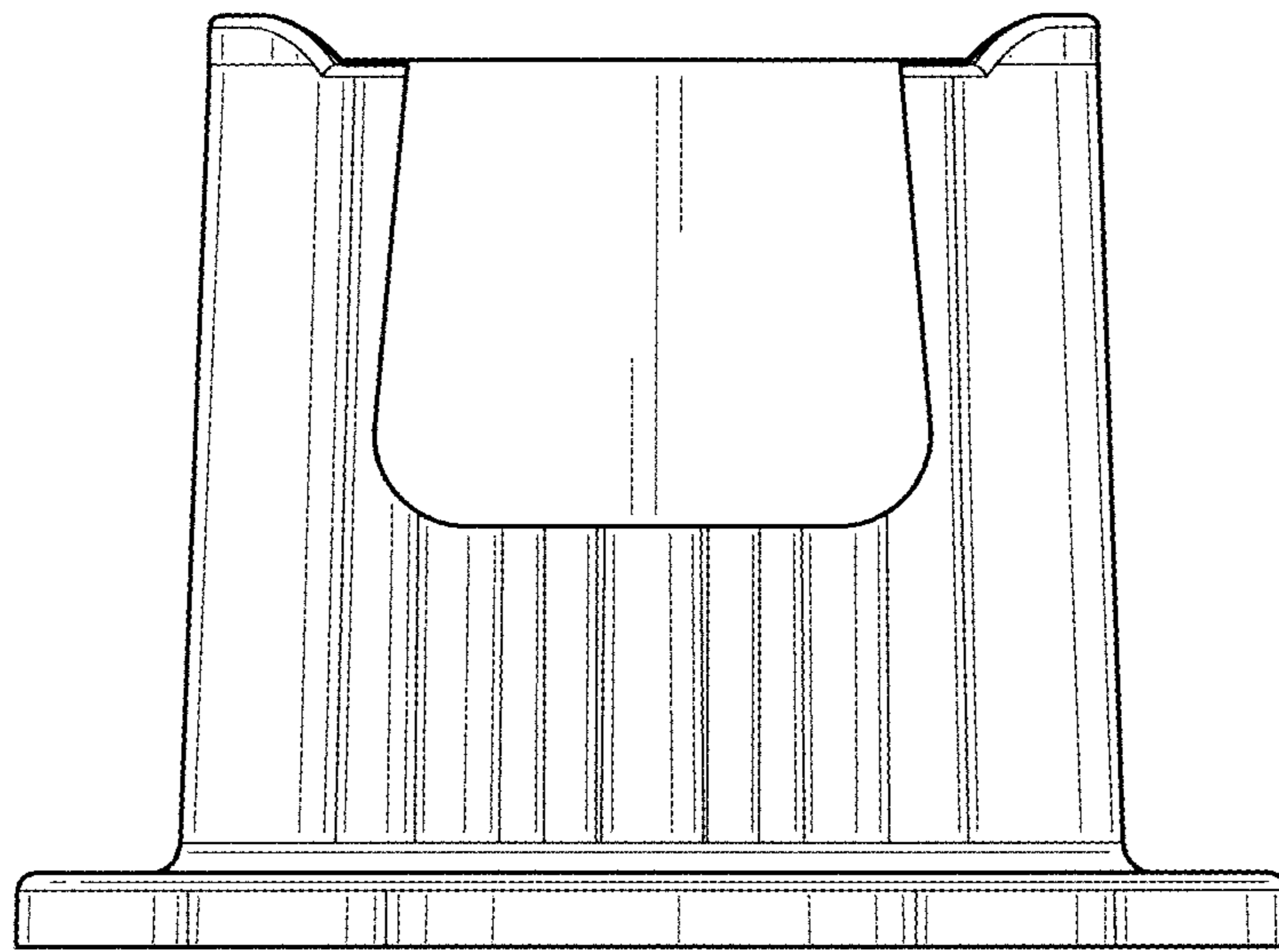


FIG. 7