



US00D887839S

(12) **United States Design Patent**
Vallotton et al.

(10) **Patent No.:** **US D887,839 S**
(45) **Date of Patent:** **** Jun. 23, 2020**

(54) **CAP FOR PHARMACEUTICAL CONTAINERS**

D227,744 S 7/1973 Mitchko
D245,991 S 10/1977 Gravel
D278,930 S 5/1985 Zaccai et al.
D285,118 S 8/1986 Huang
D316,449 S 4/1991 D'Aquino et al.
D321,940 S 11/1991 D'Aquino et al.

(71) Applicant: **B. Braun Melsungen AG**, Melsungen (DE)

(Continued)

(72) Inventors: **Raphaël Vallotton**, Blonay (CH);
Michel Pittet, Aumont/FR (CH)

FOREIGN PATENT DOCUMENTS

(73) Assignee: **B. Braun Melsungen AG**, Melsungen (DE)

EP 0022460740001 5/2013
EP 0022460740002 5/2013

(**) Term: **15 Years**

OTHER PUBLICATIONS

(21) Appl. No.: **29/685,477**

FDA. Useful Handling Tips for Ecoflac plus. No date specified.
<https://www.fda.gov/media/89938/download> (Year: 0).*

(22) Filed: **Mar. 28, 2019**

(Continued)

Related U.S. Application Data

(62) Division of application No. 29/600,128, filed on Apr. 10, 2017.

Primary Examiner — George D. Kirschbaum
Assistant Examiner — Darcey E Gottschalk

(30) **Foreign Application Priority Data**

(57) **CLAIM**

Oct. 10, 2016 (EP) 003413541

(51) **LOC (12) Cl.** **09-07**

(52) **U.S. Cl.**

USPC **D9/435**; D9/436

(58) **Field of Classification Search**

USPC D3/201, 202, 203.1, 203.2, 203.3, 204;
D9/414-419, 421-425, 427-429,
D9/430-436, 443, 444, 447, 455-457,
D9/499; D24/121, 129, 224-227;
D7/392.1

CPC A61J 1/1406; A61J 1/1431; A61J 1/1412;
B65D 51/002

See application file for complete search history.

The ornamental design for a cap for pharmaceutical containers, as shown and described.

DESCRIPTION

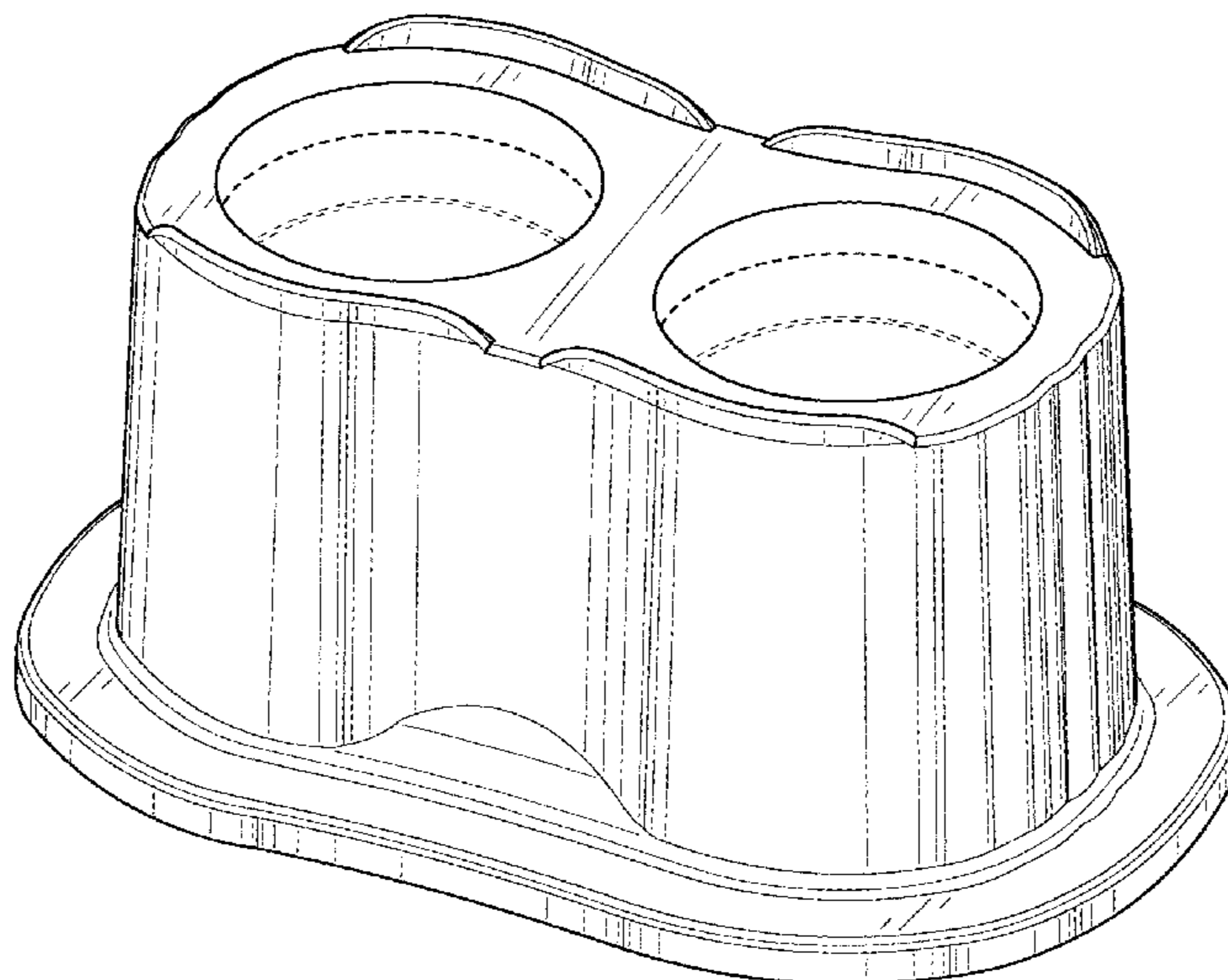
FIG. 1 is a perspective view of a cap for pharmaceutical containers;
FIG. 2 is a top plan view thereof;
FIG. 3 is a bottom plan view thereof;
FIG. 4 is a front elevation view thereof;
FIG. 5 is a rear elevation view thereof;
FIG. 6 is an elevation view thereof from the right side; and,
FIG. 7 is an elevation view thereof from the left side.
The broken line showing of the cap for pharmaceutical containers is for the purpose of illustrating portions of the cap for pharmaceutical containers and forms no part of the claimed design.

(56) **References Cited**

U.S. PATENT DOCUMENTS

D130,156 S 10/1941 Perrin
D181,332 S 11/1957 Anderson

1 Claim, 7 Drawing Sheets



(56)

References Cited

U.S. PATENT DOCUMENTS

D345,611 S 3/1994 Long
 D349,647 S 8/1994 Moffitt
 D351,087 S * 10/1994 Anderson D7/541
 5,873,494 A * 2/1999 Dallas, Jr. B65D 47/2006
 222/129
 5,896,892 A 4/1999 Adamson et al.
 D465,970 S * 11/2002 Dimeo D7/392.1
 D519,728 S 5/2006 Chue
 D522,145 S * 5/2006 Best D10/81
 D539,084 S * 3/2007 Cundieff D7/401.1
 D540,380 S * 4/2007 Hoshiya D18/56
 D550,503 S * 9/2007 Liu D7/392.1
 D574,237 S 8/2008 Yates
 D590,255 S * 4/2009 Maxwell D9/447
 D614,487 S 4/2010 Beam et al.
 D684,276 S 6/2013 Hudson et al.
 8,720,715 B2 * 5/2014 Mader A61J 1/1406
 215/247
 D707,039 S 6/2014 Zerlin et al.
 D717,470 S 11/2014 Demas et al.
 D731,672 S * 6/2015 Kuroda D24/224
 D736,403 S 8/2015 Hudson et al.
 D748,249 S 1/2016 Pittet et al.
 D754,361 S 4/2016 McHale
 D772,706 S * 11/2016 Zhang D9/434
 D779,081 S 2/2017 McHale
 9,731,872 B2 8/2017 Beine
 D802,419 S 11/2017 Seiders et al.
 D807,171 S 1/2018 Miller
 D834,938 S * 12/2018 Barnes D9/435
 D835,457 S * 12/2018 Sedgwick D7/392.1

OTHER PUBLICATIONS

Notice of Allowance for U.S. Appl. No. 29/600,128, dated Jul. 29, 2019, 12 pages.
 FDA, “Useful Handling Tips for Ecoflac® Plus”, downloaded at <https://www.fda.gov/media/89938/download>, 2014, 1 page.
 Non Final Office Action for U.S. Appl. No. 29/685,475, dated Jun. 12, 2019, 15 pages.
 Daily Med. Sodium Chloride Injection. Aug. 2014 [earliest on line date], [site visited Jun. 6, 2018]. Available from Internet, <URL:<https://dailymed.nlm.nih.gov/dailymed/fda/fdaDrugXsl.cfm?setid=271e8b0f-d051-48a7-9093-8b53078a6a07&type=display>>. (Year: 2014)—5 pages 2019.
 German Healthcare Export Group. High demands—High quality infusion container Ecoflac® plus. 2018 [earliest online date], [site visited Jun. 6, 2018]. Available from Internet, <URL:<https://www.gheg.de/en/products/high-demands-high-quality-infusion-container-ecoflac-plus/>>. (Year: 2018)—4 pages 2019.
 Entire patent prosecution history of U.S. Appl. No. 29/600,128, filed Apr. 10, 2017, entitled “CAP System for Pharmaceutical Containers.”
 Notice of Allowance for U.S. Appl. No. 29/685,475, dated Oct. 24, 2019, 11 pages.
 Non Final Office Action for U.S. Appl. No. 29/685,474, dated Nov. 25, 2019, 24 pages.
 Non Final Office Action for U.S. Appl. No. 29/685,482, dated Nov. 25, 2019, 24 pages.
 Non Final Office Action for U.S. Appl. No. 29/685,485, dated Nov. 25, 2019, 17 pages.

* cited by examiner

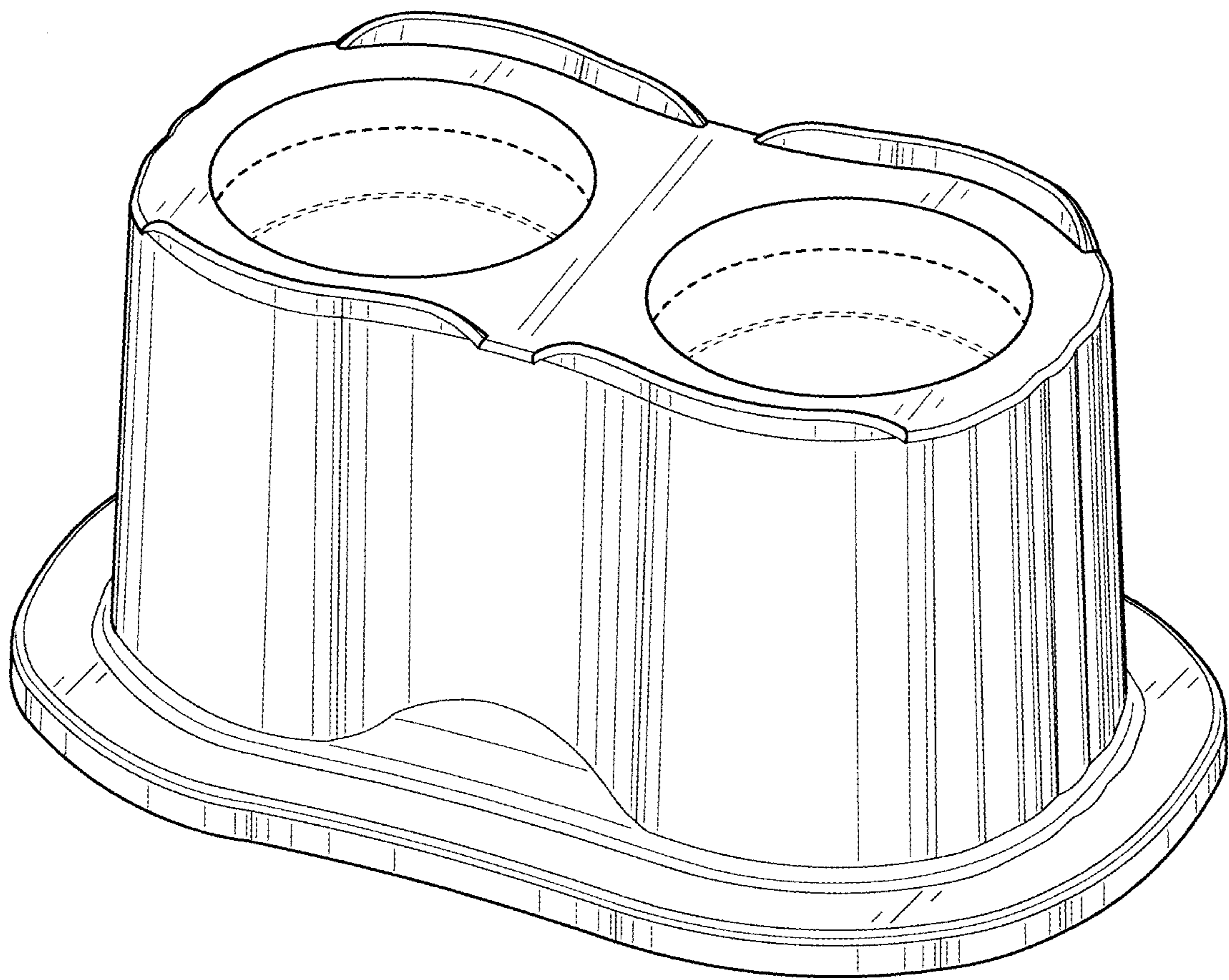


FIG. 1

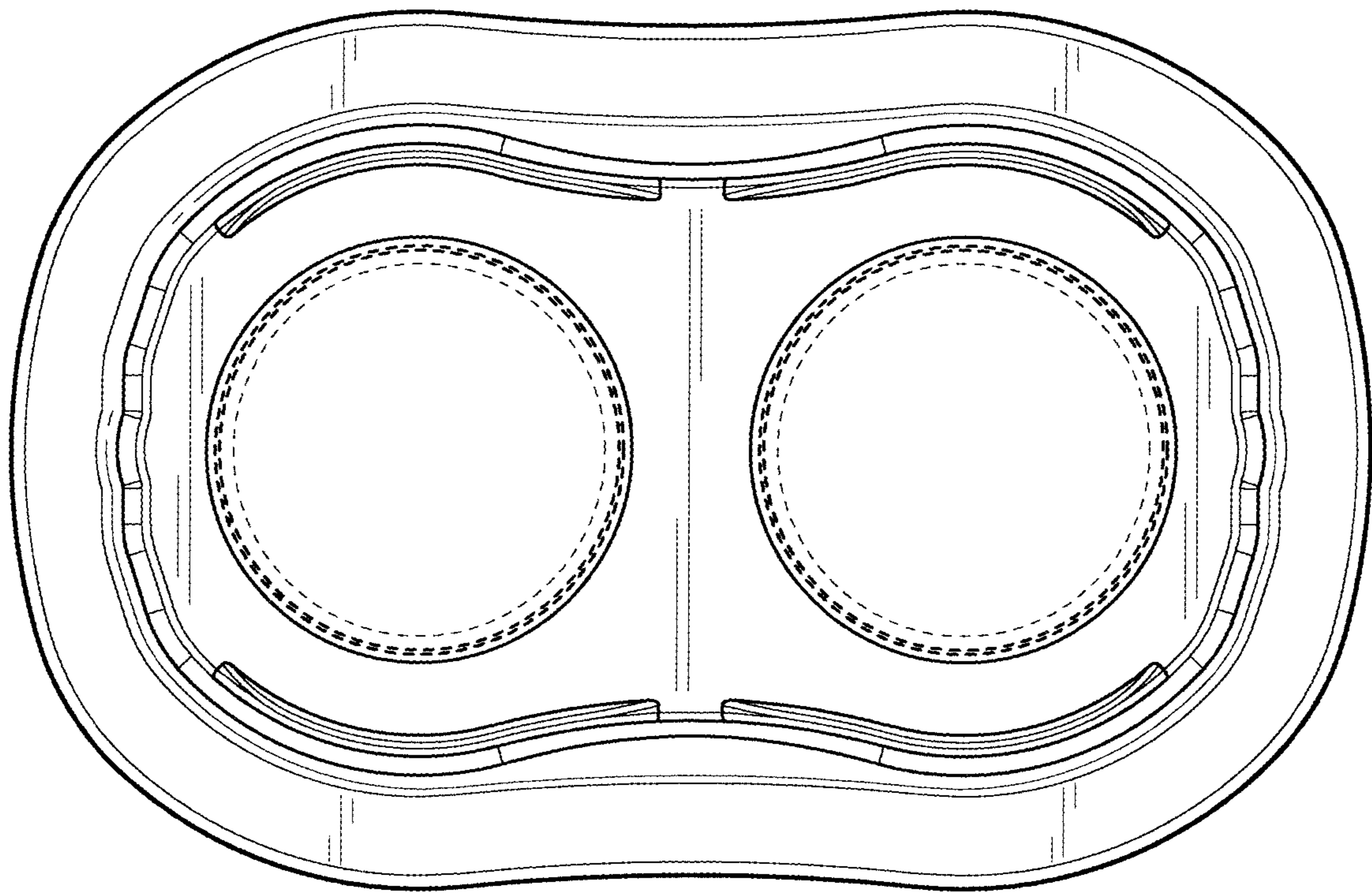


FIG. 2

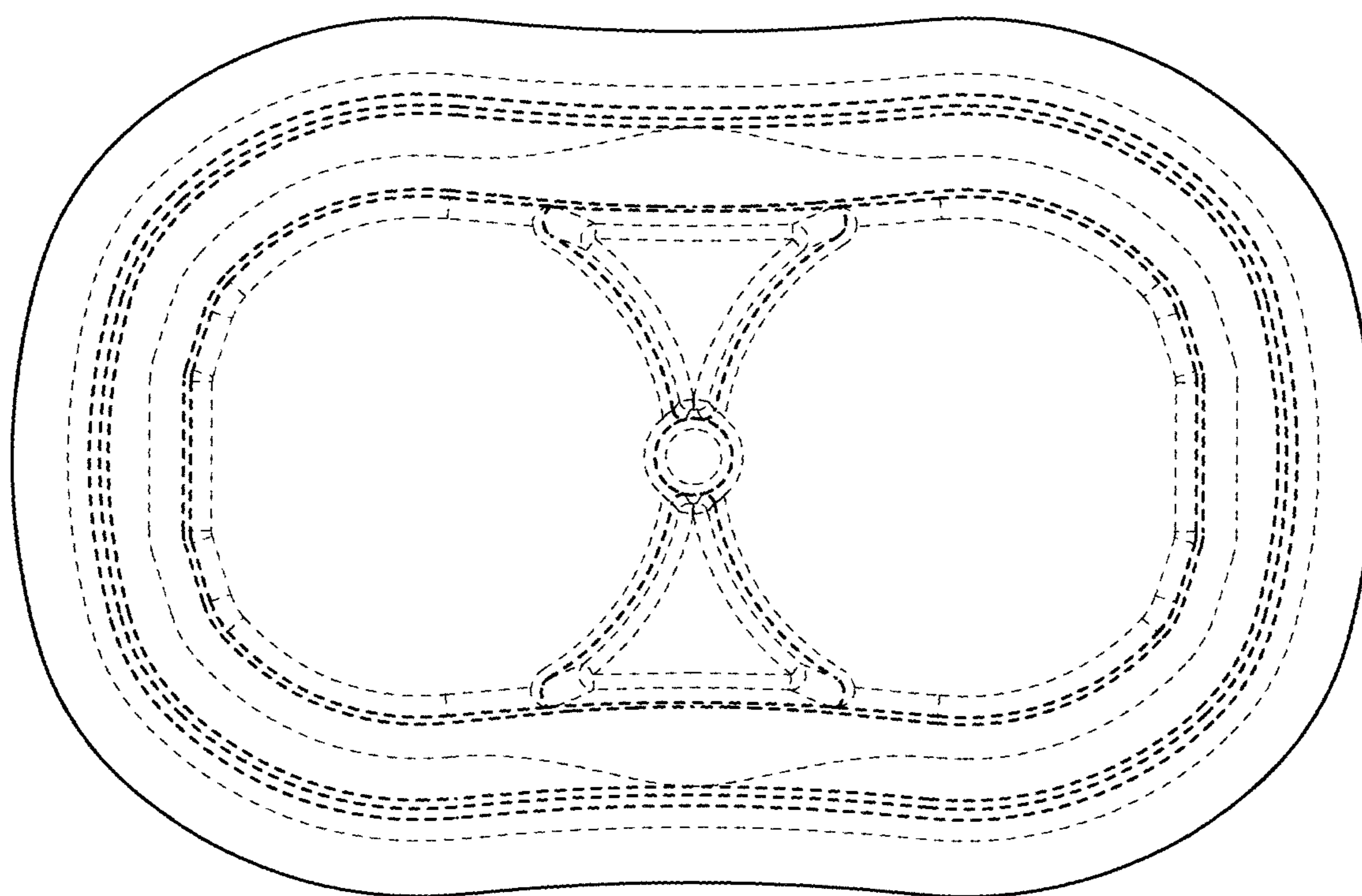


FIG. 3

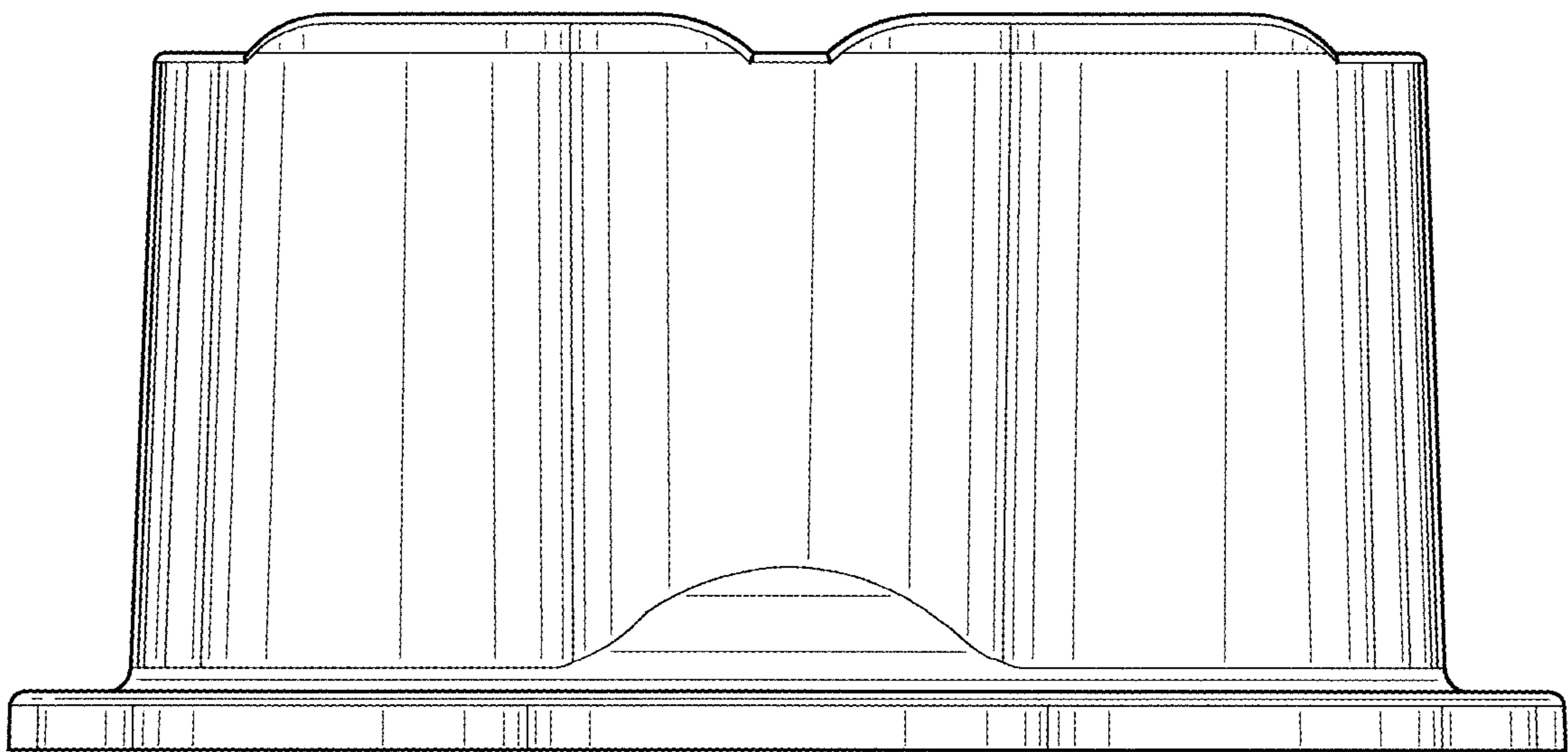


FIG. 4

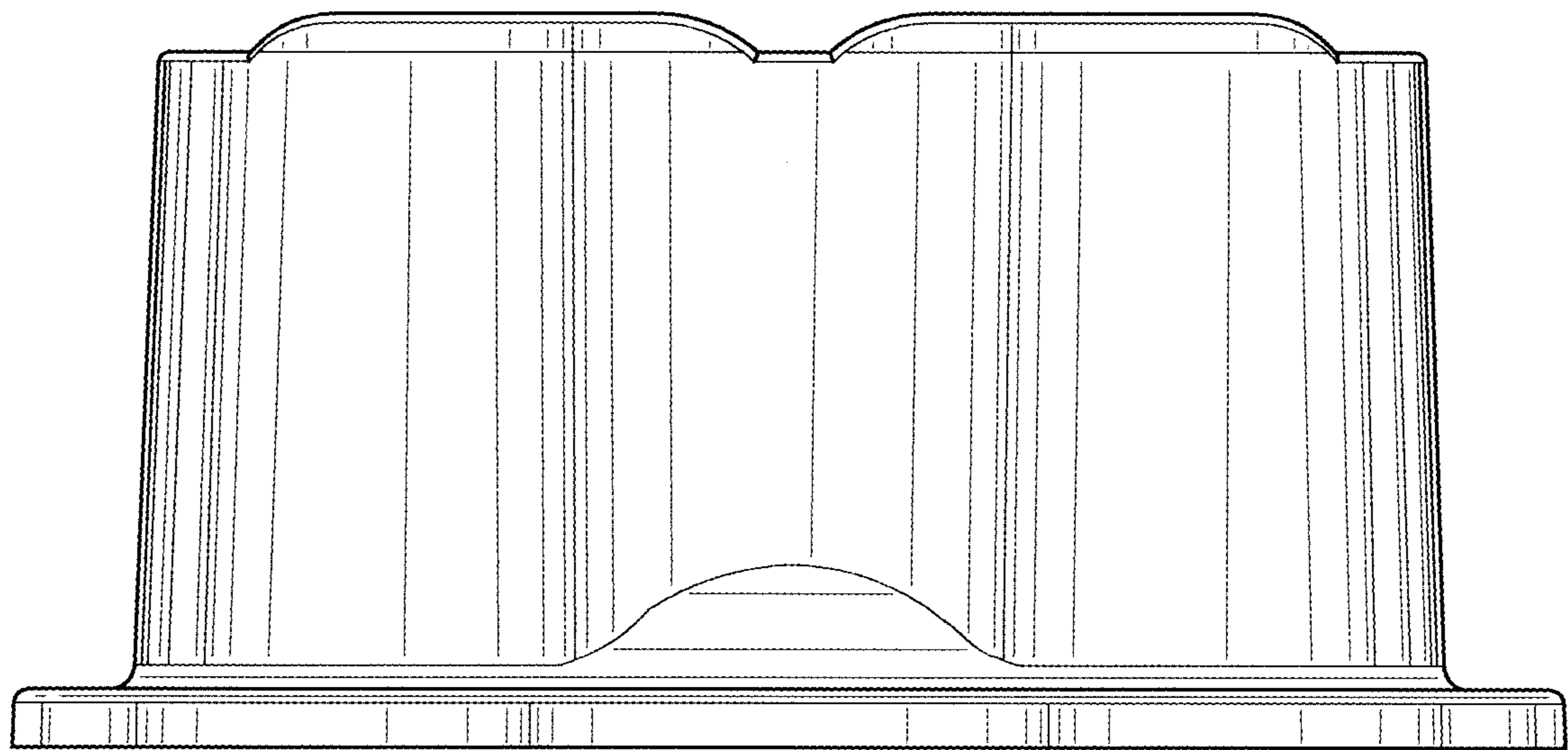


FIG. 5

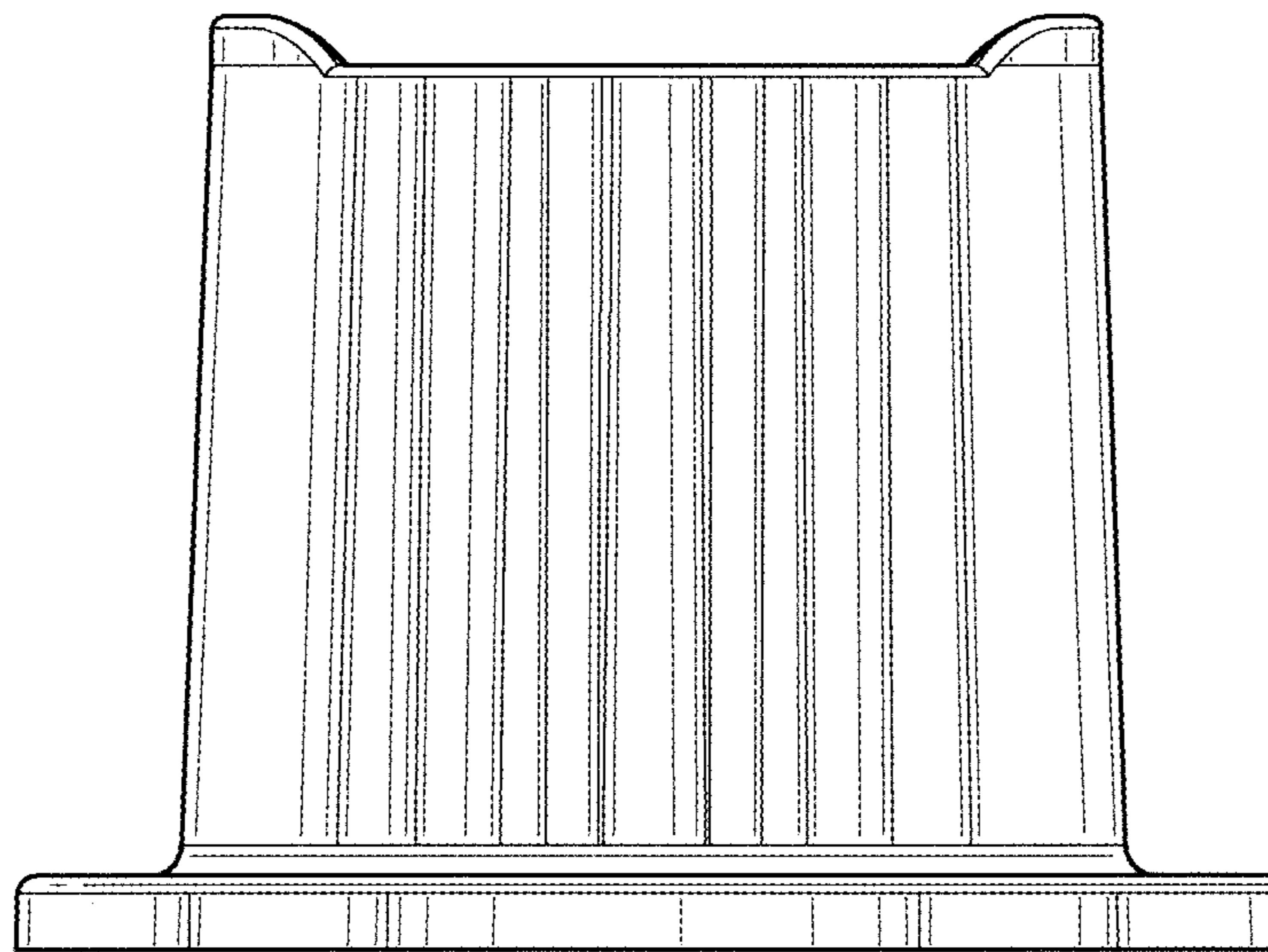


FIG. 6

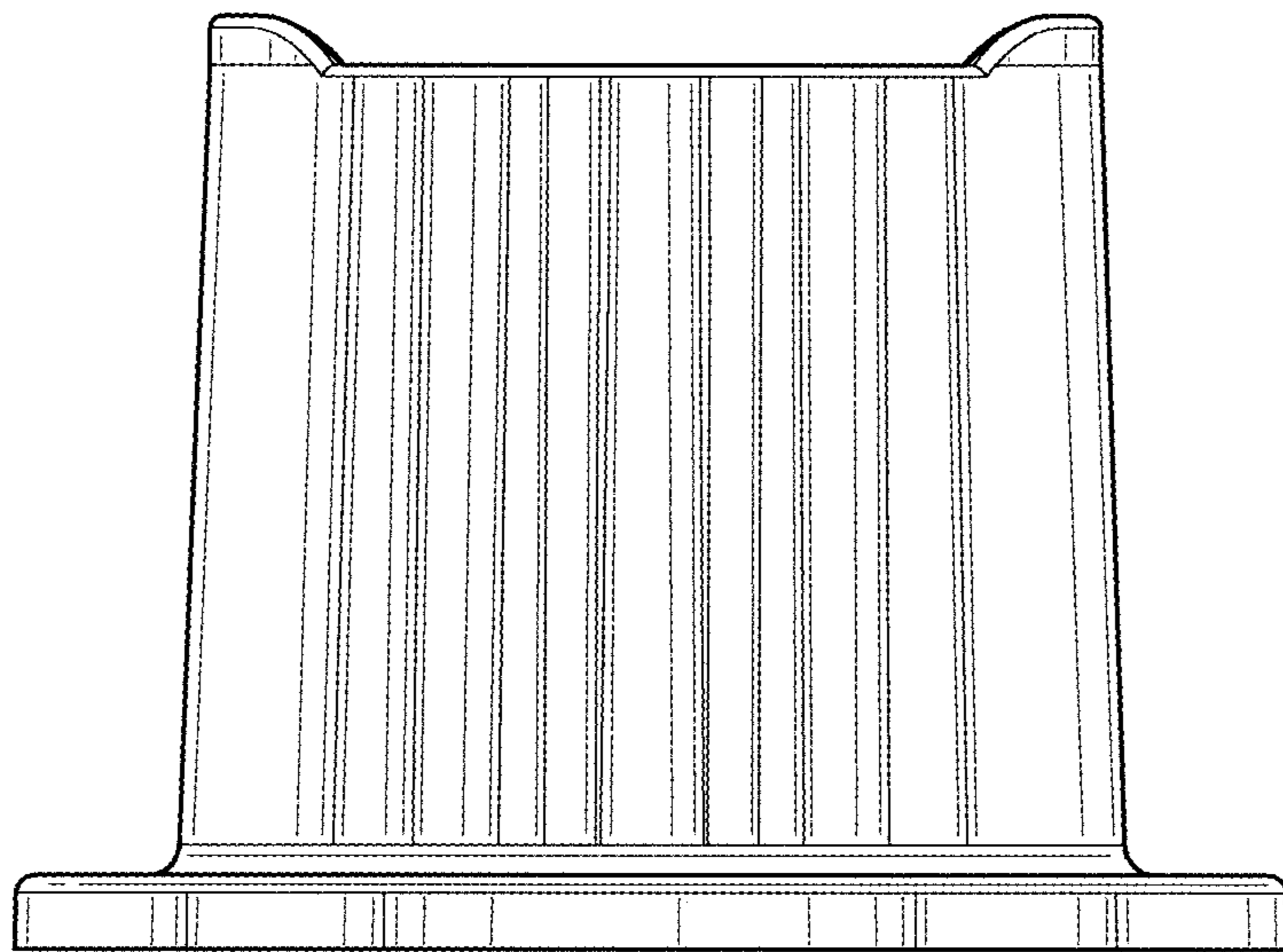


FIG. 7