



US00D887834S

(12) **United States Design Patent**
Moore et al.

(10) **Patent No.:** **US D887,834 S**
(45) **Date of Patent:** **** Jun. 23, 2020**

- (54) **BOX**
- (71) Applicant: **REELEX Packaging Solutions, Inc.**,
Patterson, NY (US)
- (72) Inventors: **Brian Moore**, Wallkill, NY (US);
Timothy Copp, New Milford, CT (US)
- (73) Assignee: **REELEX Packaging Solutions, Inc.**,
Patterson, NY (US)
- (**) Term: **15 Years**
- (21) Appl. No.: **29/668,843**
- (22) Filed: **Nov. 2, 2018**
- (51) **LOC (12) Cl.** **09-03**
- (52) **U.S. Cl.**
USPC **D9/432**
- (58) **Field of Classification Search**
USPC D9/414–423, 430–433, 434, 456, 457,
D9/711, 713, 721–722; D20/10.22, 27,
D20/40, 42
CPC ... B65D 5/00; B65D 5/02; B65D 5/18; B65D
5/20
See application file for complete search history.

- D506,131 S * 6/2005 Izen D9/721
- D661,016 S * 5/2012 Borges D27/189
- D684,049 S * 6/2013 McCarthy D9/432
- D705,054 S * 5/2014 McCarthy D9/432
- D715,638 S * 10/2014 Wollschleger B65D 83/04
D9/416

- 8,944,358 B2 2/2015 Copp et al.
- 8,960,431 B2 2/2015 Copp et al.

(Continued)

Primary Examiner — Vy N Koenig

(74) *Attorney, Agent, or Firm* — Gordon & Jacobson,
P.C.

(57) **CLAIM**

The ornamental design for a box, as shown and described.

DESCRIPTION

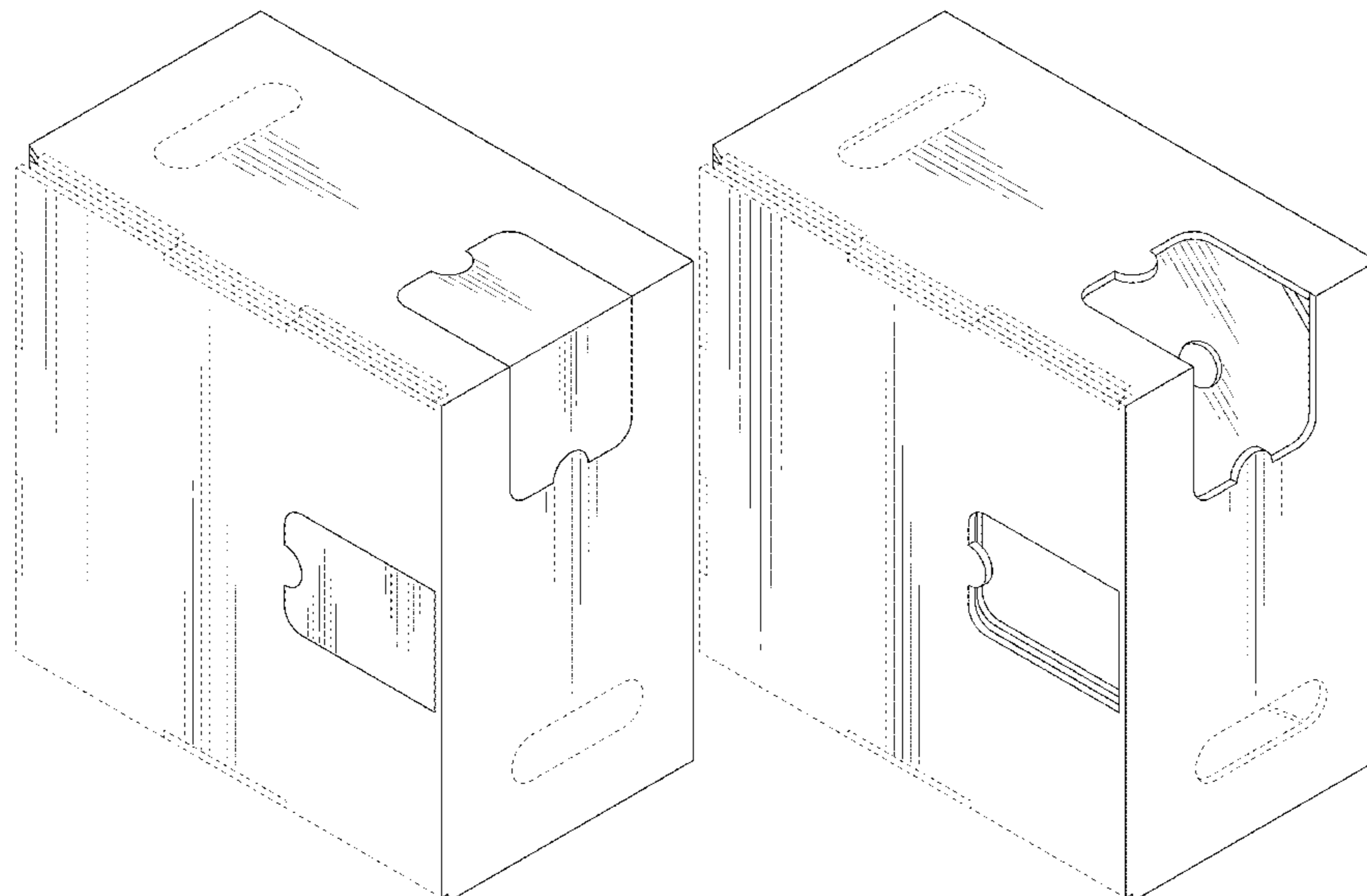
FIG. 1 is a top, front, and left side perspective view of a box showing our design in a first closed configuration.
 FIG. 2 is a bottom, rear, and left side perspective view of the box of FIG. 1.
 FIG. 3 is a front side view of the box of FIG. 1.
 FIG. 4 is a rear side view of the box of FIG. 1.
 FIG. 5 is a left side view of the box of FIG. 1.
 FIG. 6 is a right side view of the box of FIG. 1.
 FIG. 7 is a top side view of the box of FIG. 1.
 FIG. 8 is a bottom side view of the box of FIG. 1.
 FIG. 9 is a top, front, and left side perspective view of the box of FIG. 1 in a second opened configuration.
 FIG. 10 is a bottom, rear, and left side perspective view of the box of FIG. 9.
 FIG. 11 is a front side view of the box of FIG. 9.
 FIG. 12 is a rear side view of the box of FIG. 9.
 FIG. 13 is a left side view of the box of FIG. 9.
 FIG. 14 is a right side view of the box of FIG. 9.
 FIG. 15 is a top side view of the box of FIG. 9; and,
 FIG. 16 is a bottom side view of the box of FIG. 9.
 The broken lines in the drawings depict portions of the box that form no part of the claimed design.

(56) **References Cited**

U.S. PATENT DOCUMENTS

- 4,160,533 A 7/1979 Kotzur et al.
- 4,565,316 A * 1/1986 Jes B65D 5/327
206/521.1
- D372,861 S * 8/1996 Hoell D9/418
- D379,586 S * 6/1997 Hale D9/417
- D400,095 S * 10/1998 Uebele D9/734
- 5,979,812 A 11/1999 Kotzur et al.
- 6,086,012 A 7/2000 Kotzur et al.
- 6,109,554 A 8/2000 Kotzur et al.
- 6,341,741 B1 1/2002 Kotzur et al.
- 6,491,163 B1 12/2002 Grcic et al.
- 6,702,213 B2 3/2004 Kotzur et al.
- D499,020 S * 11/2004 Izen D9/418

1 Claim, 16 Drawing Sheets



(56)

References Cited

U.S. PATENT DOCUMENTS

9,061,814	B2	6/2015	Copp et al.	
9,771,238	B2	9/2017	Moore	
9,776,826	B2	10/2017	Moore et al.	
D804,298	S *	12/2017	Demmink	D9/418
D813,666	S *	3/2018	Habig	D9/432
D840,806	S *	2/2019	Bourke	D9/432

* cited by examiner

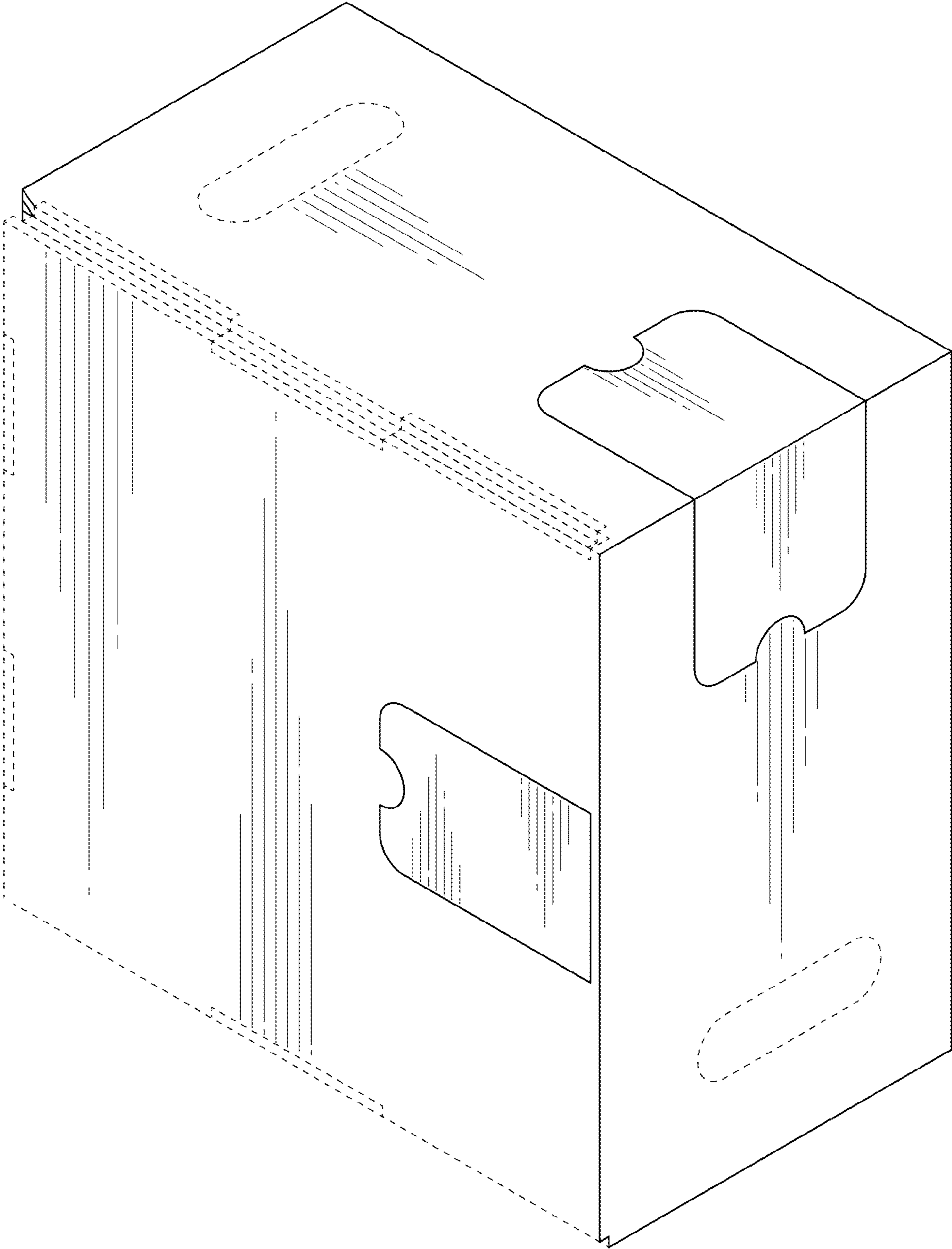


FIG. 1

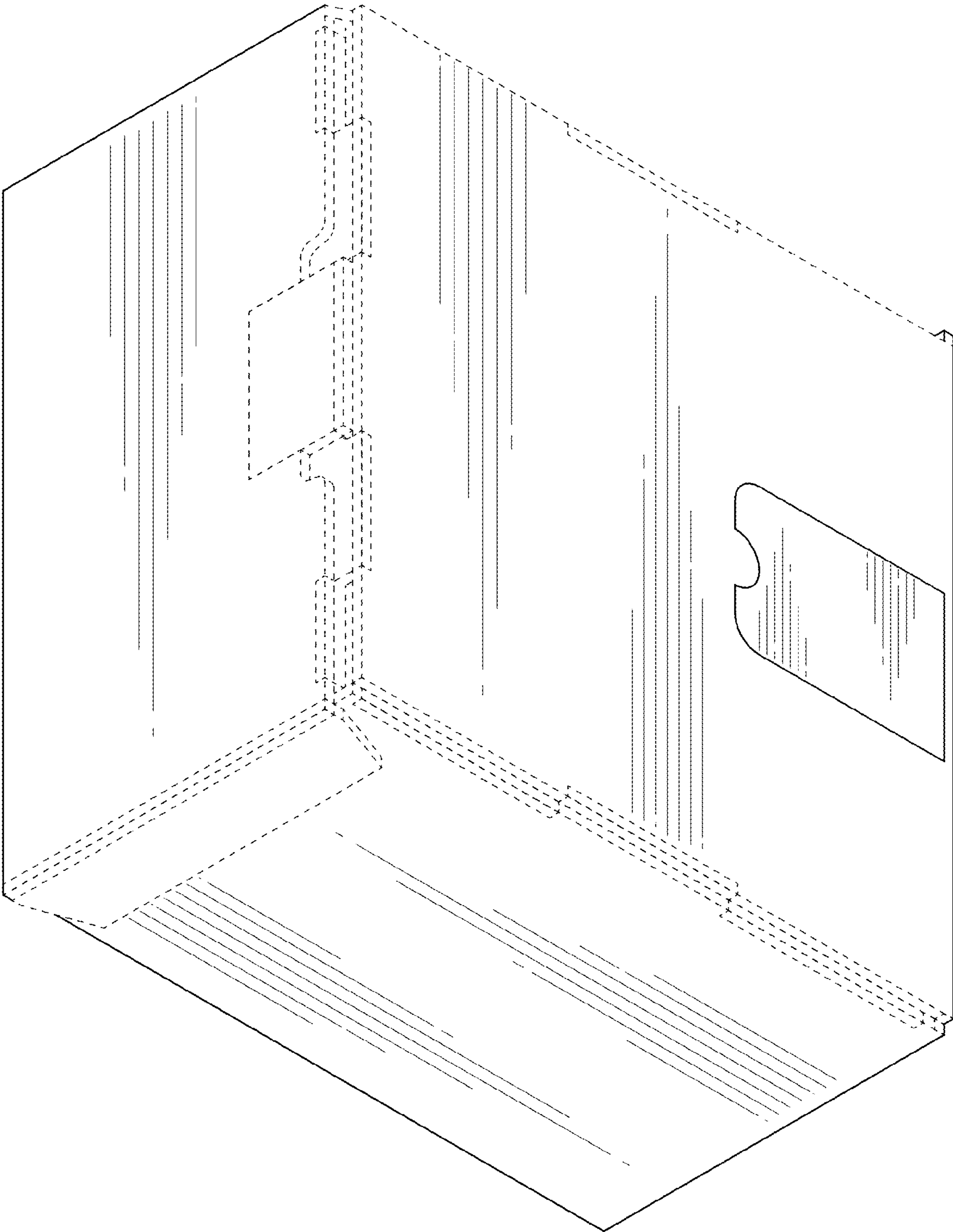


FIG. 2

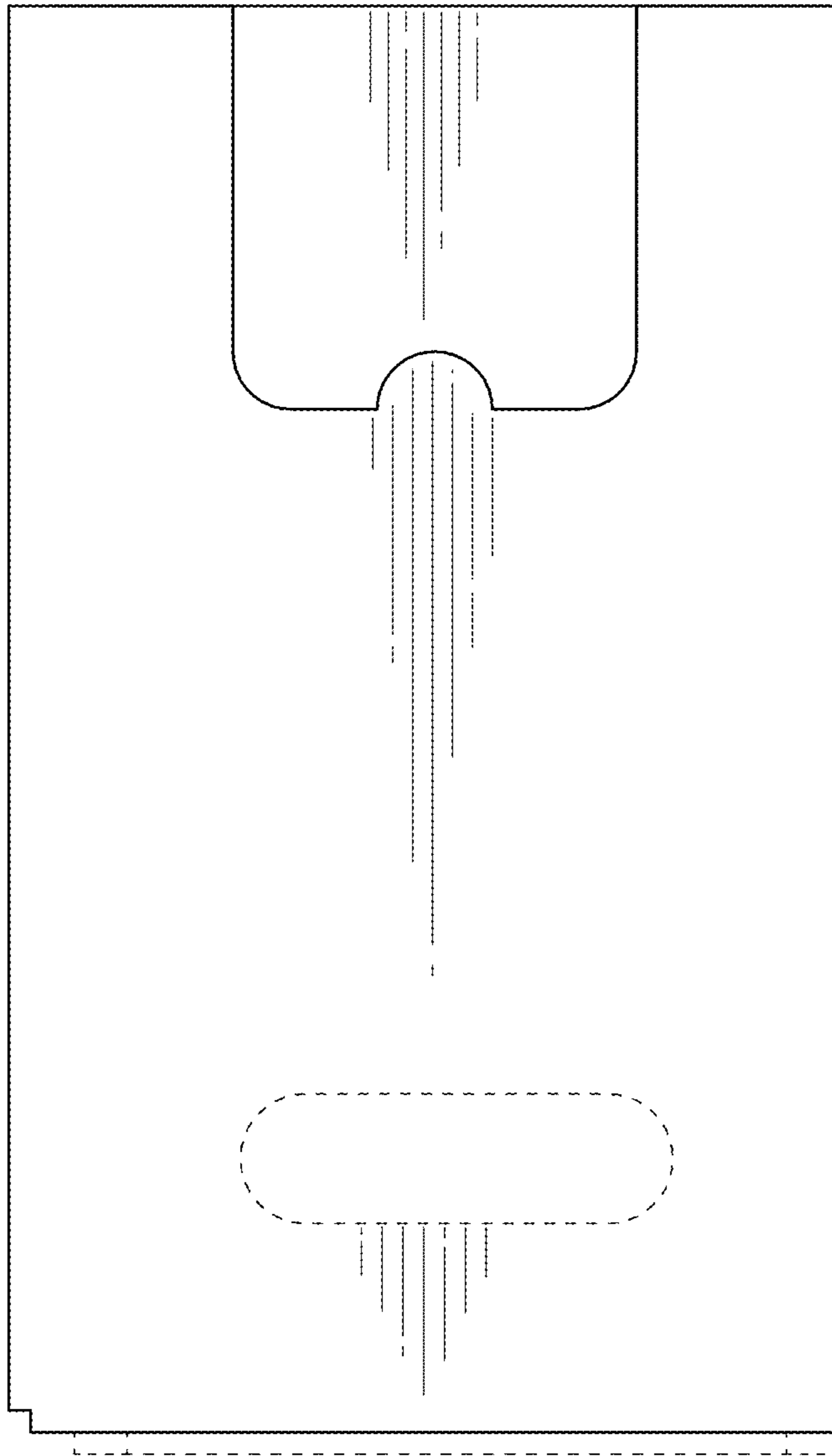


FIG. 3

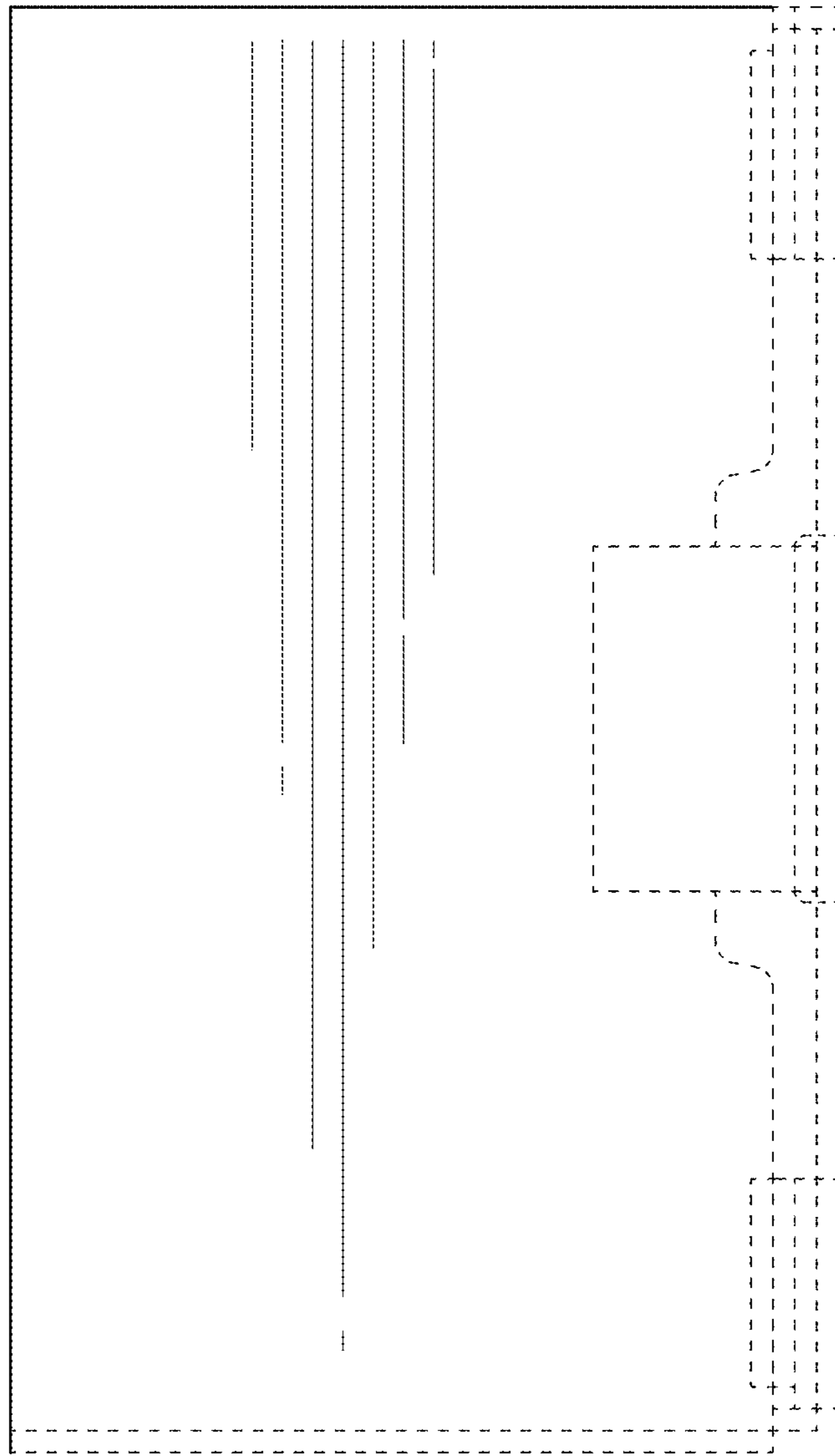


FIG. 4

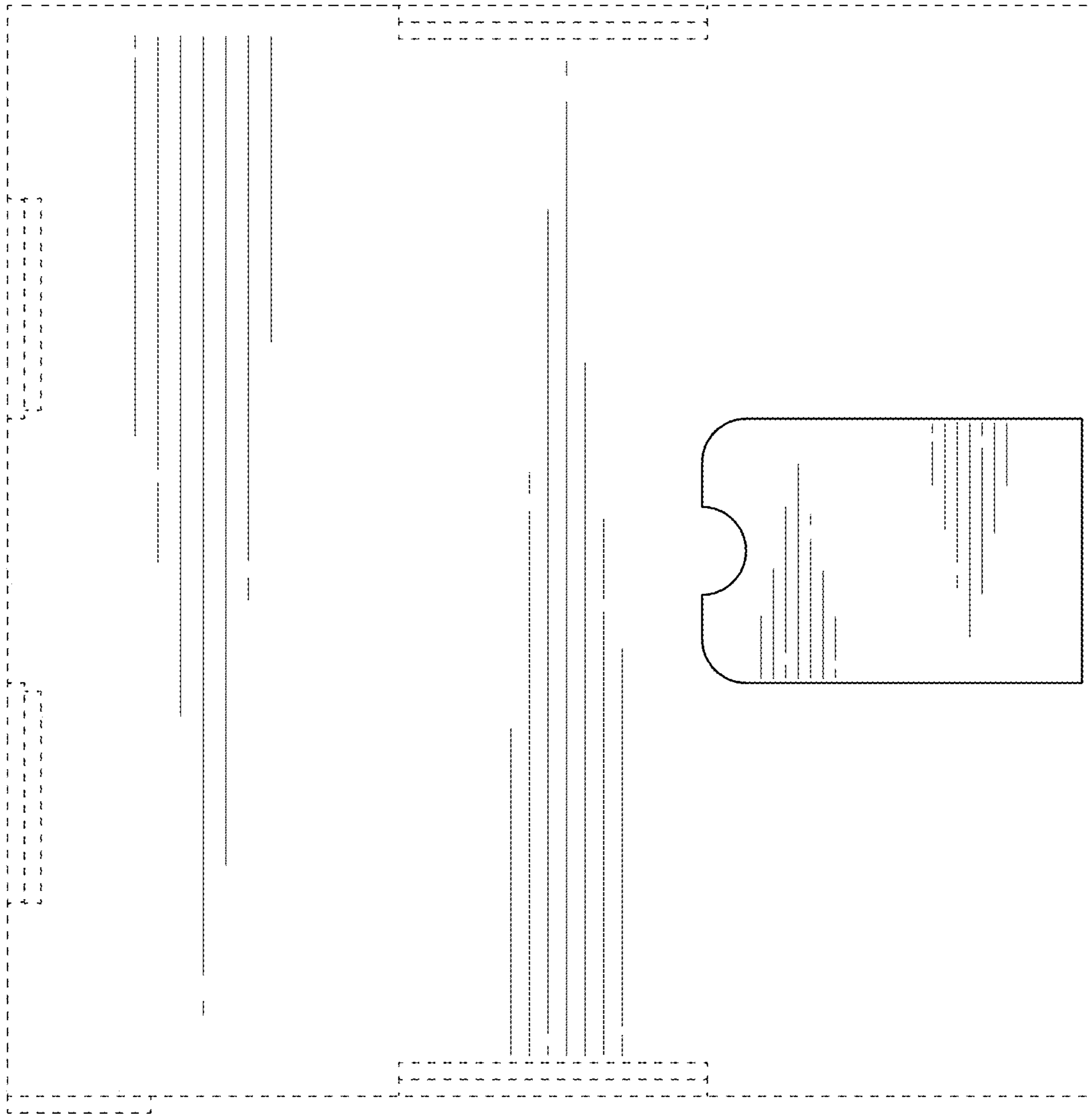


FIG. 5

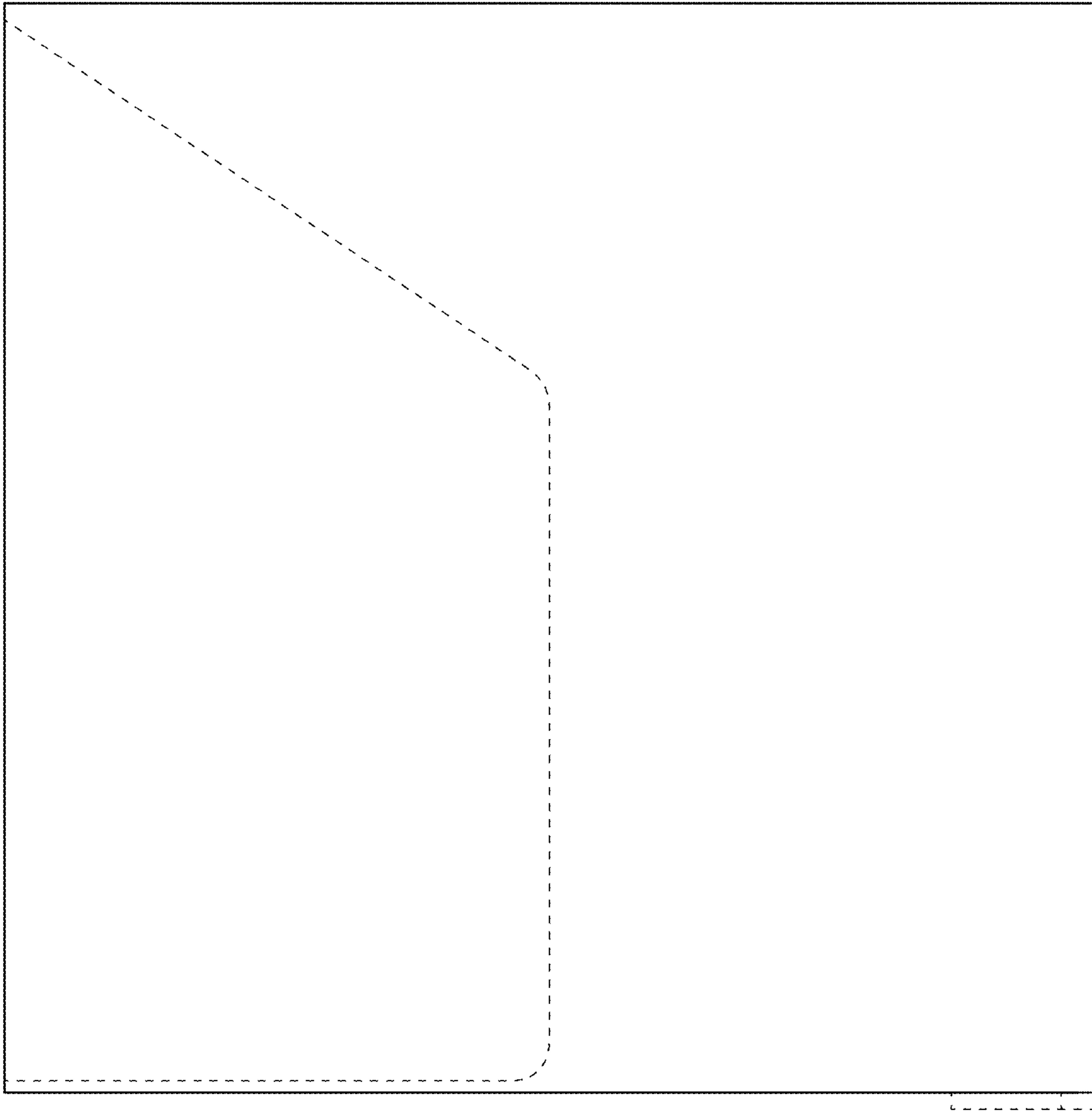


FIG. 6

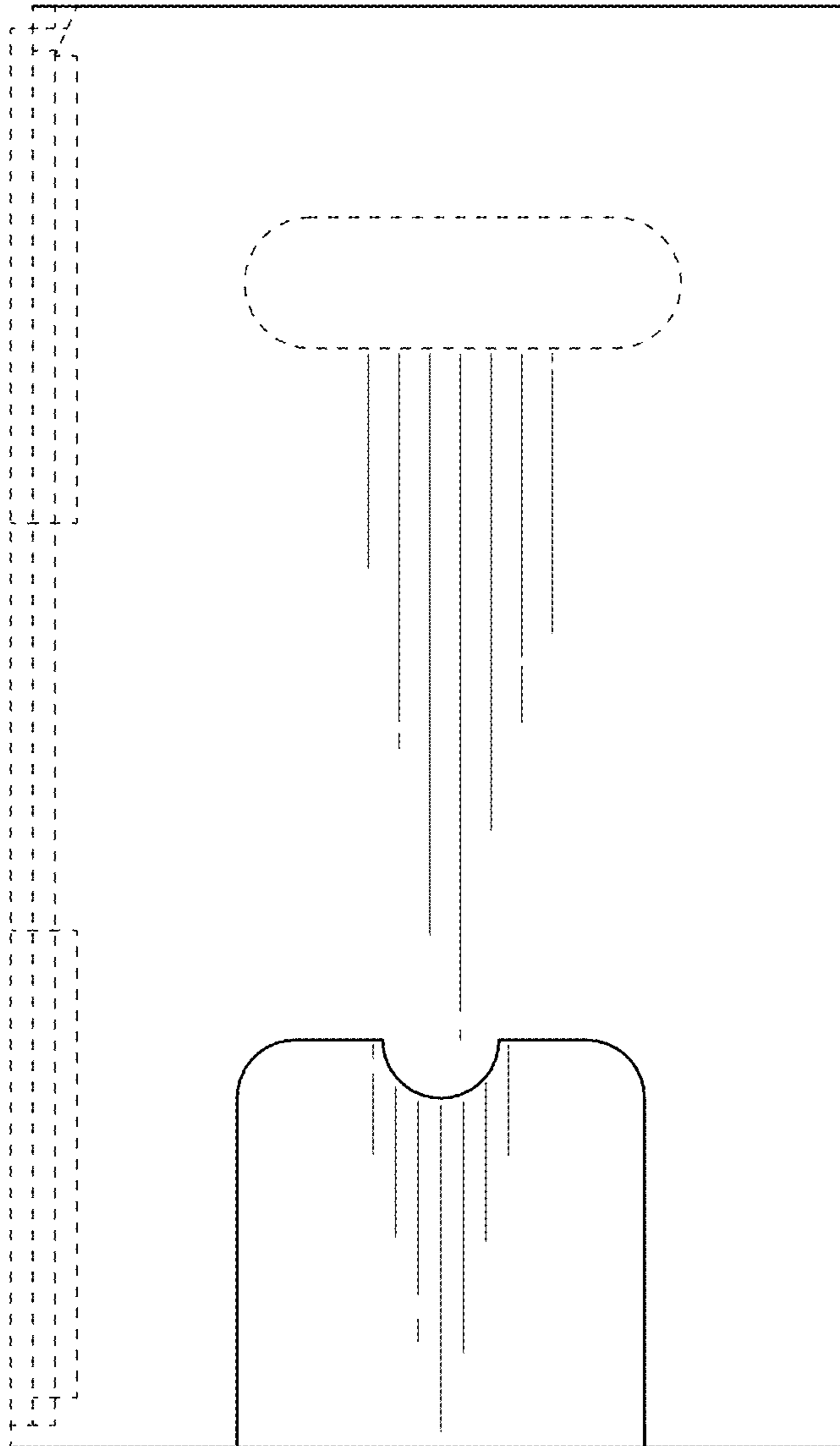


FIG. 7

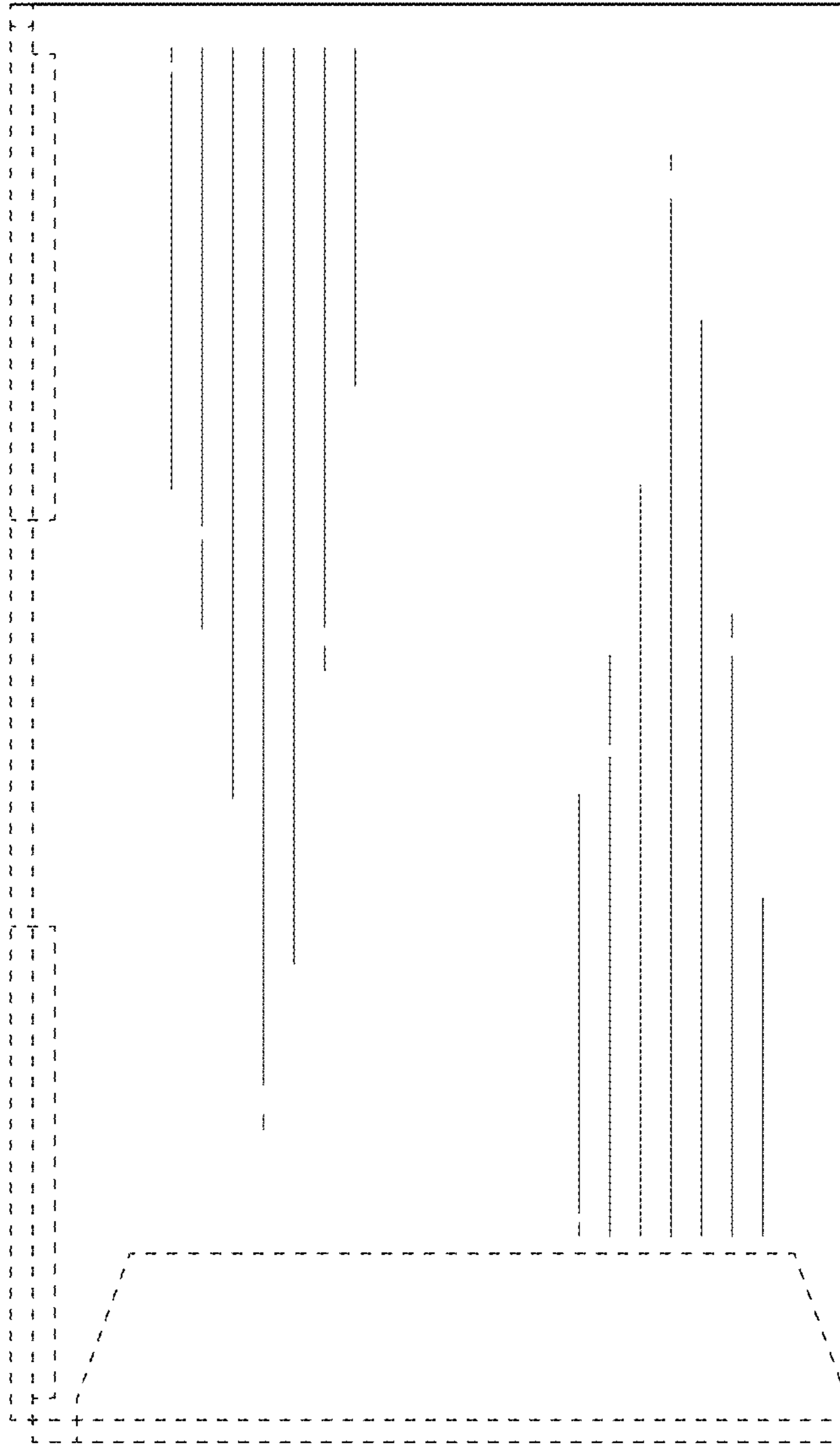


FIG. 8

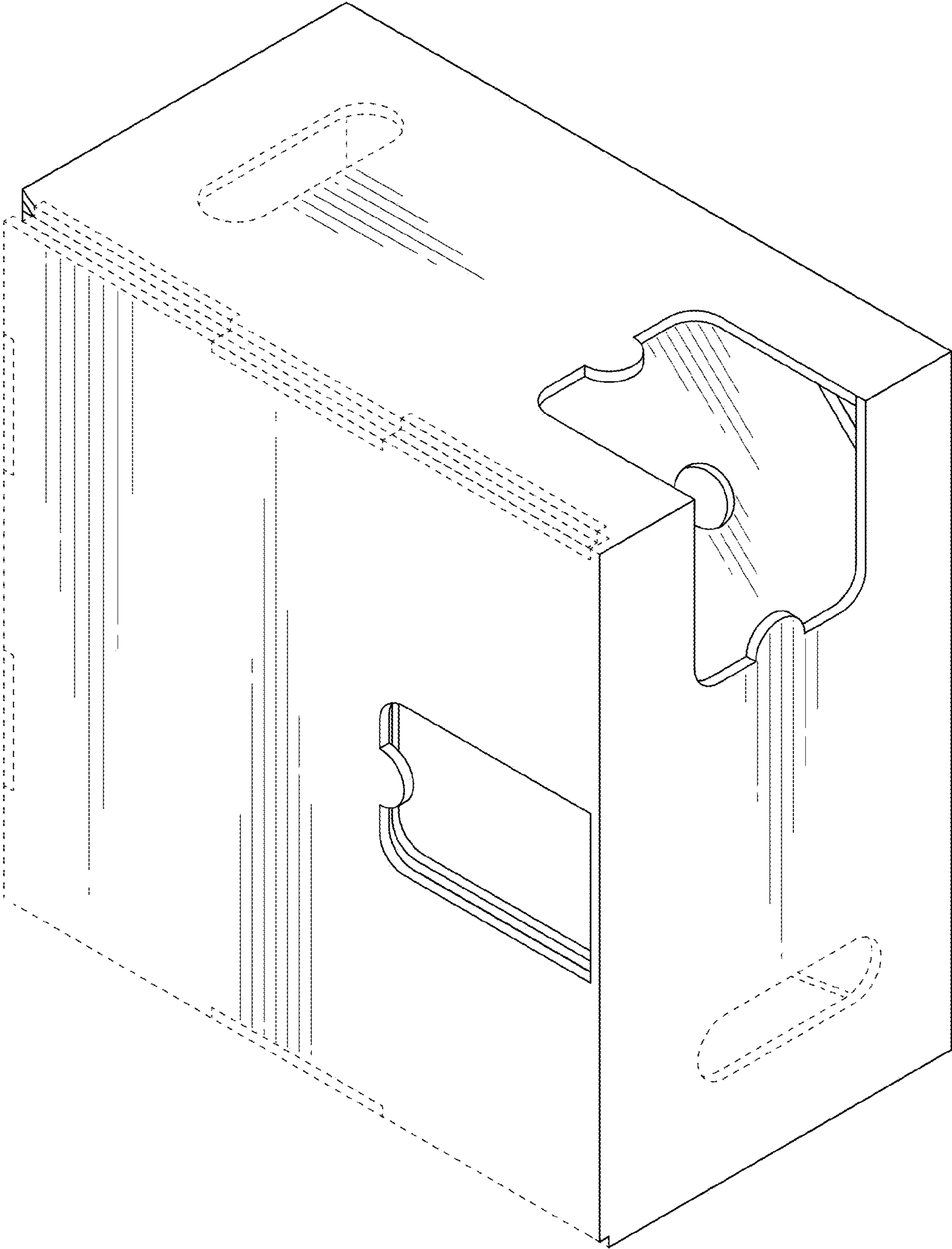


FIG. 9

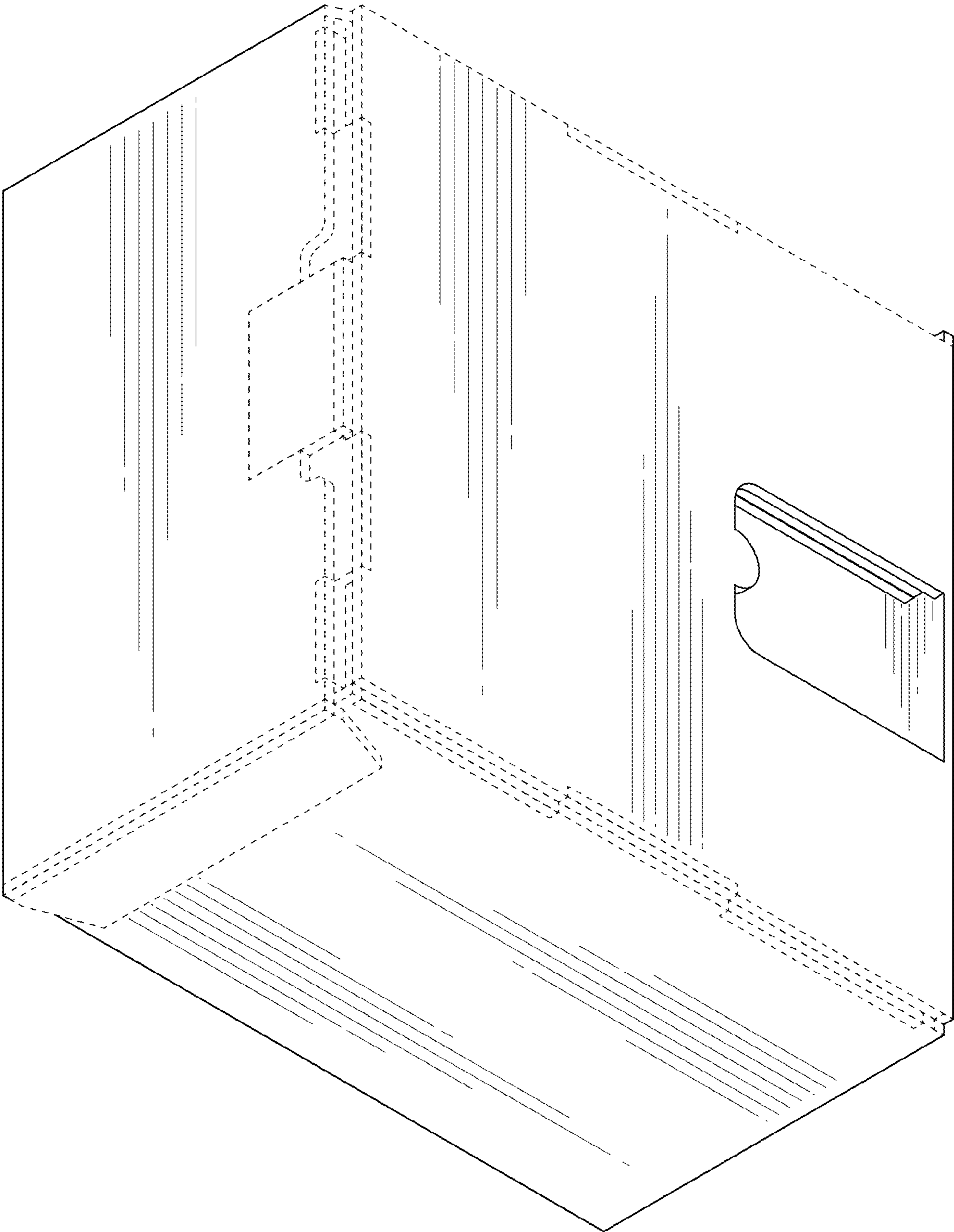


FIG. 10

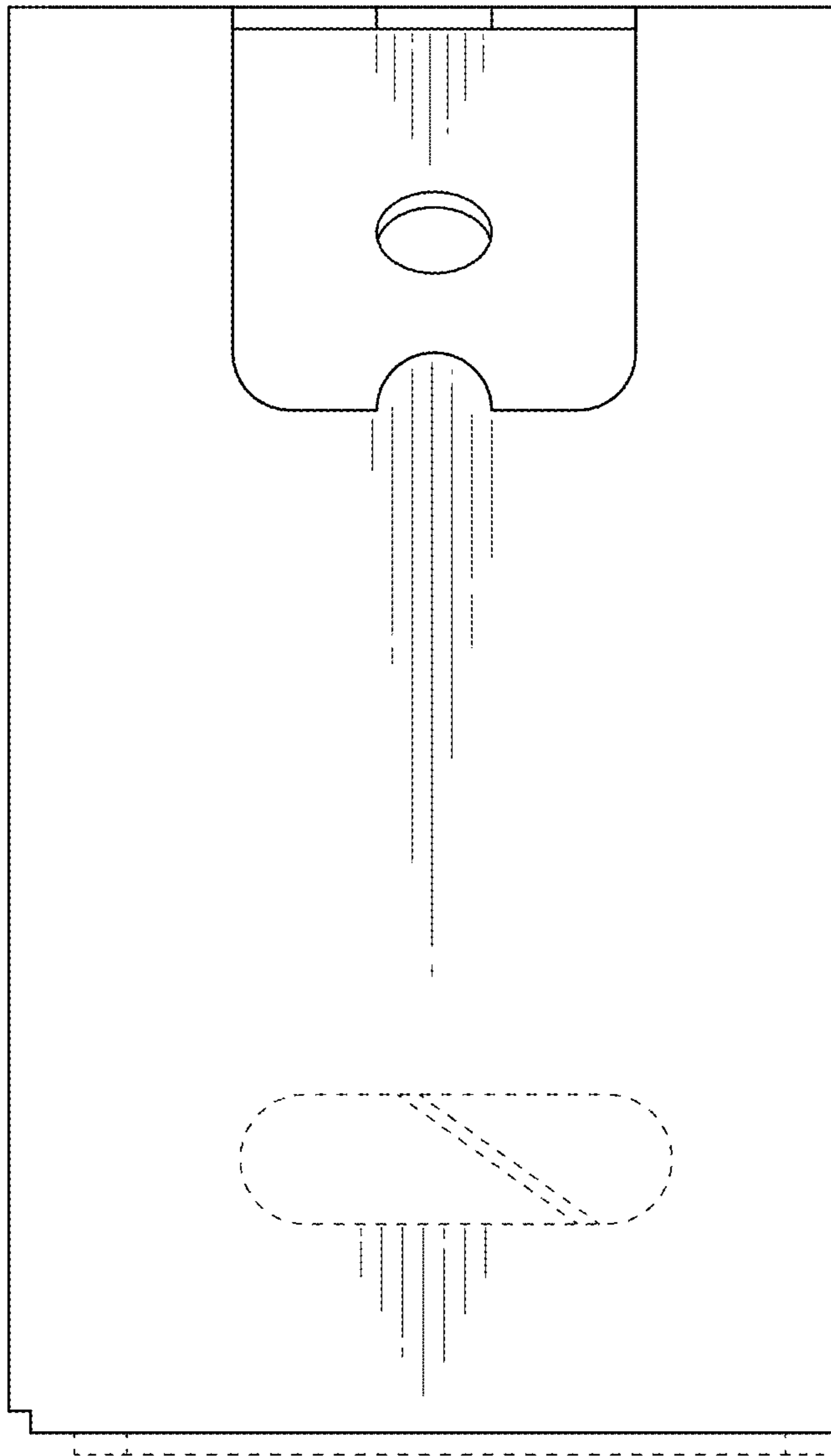


FIG. 11

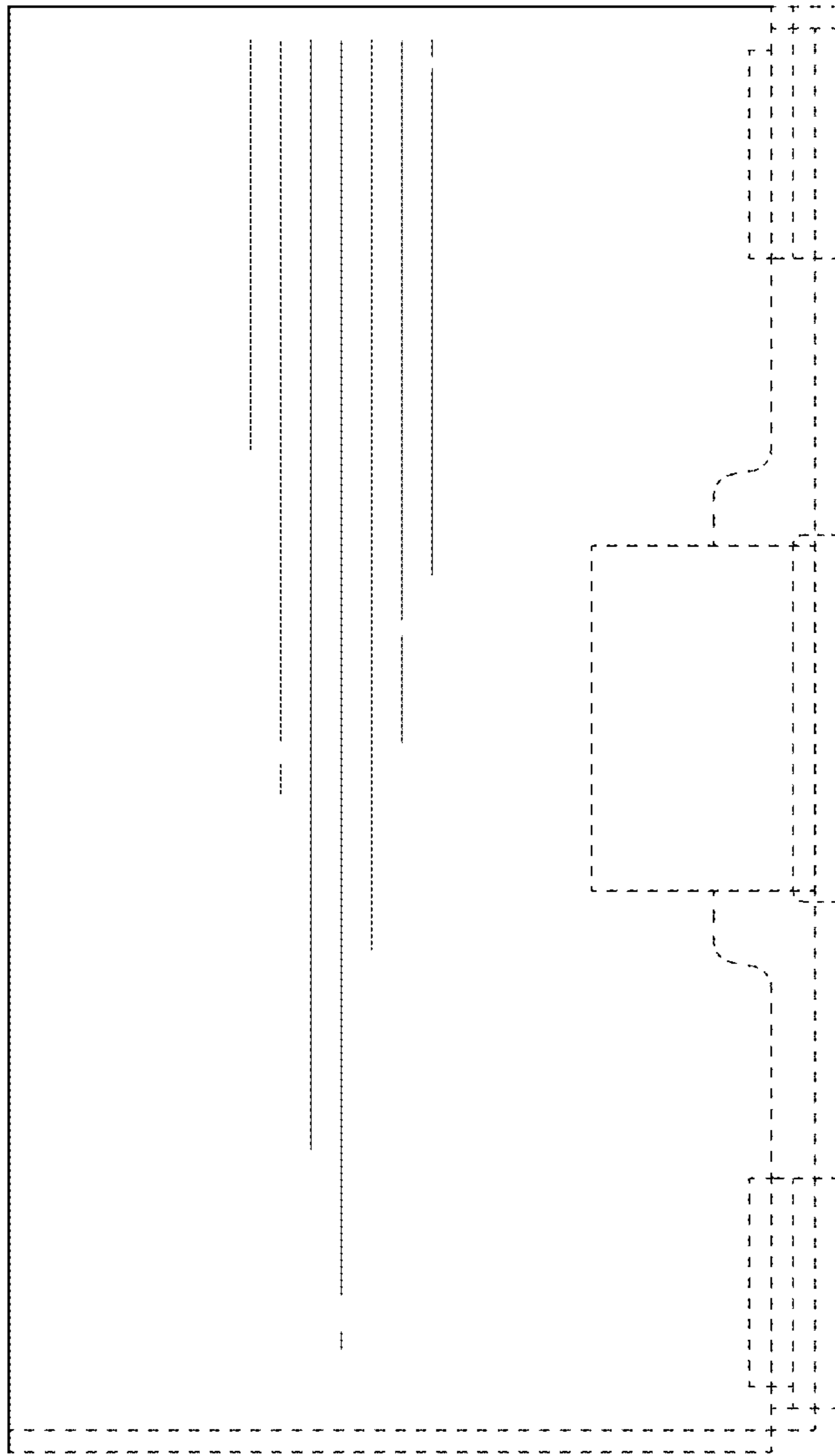


FIG. 12

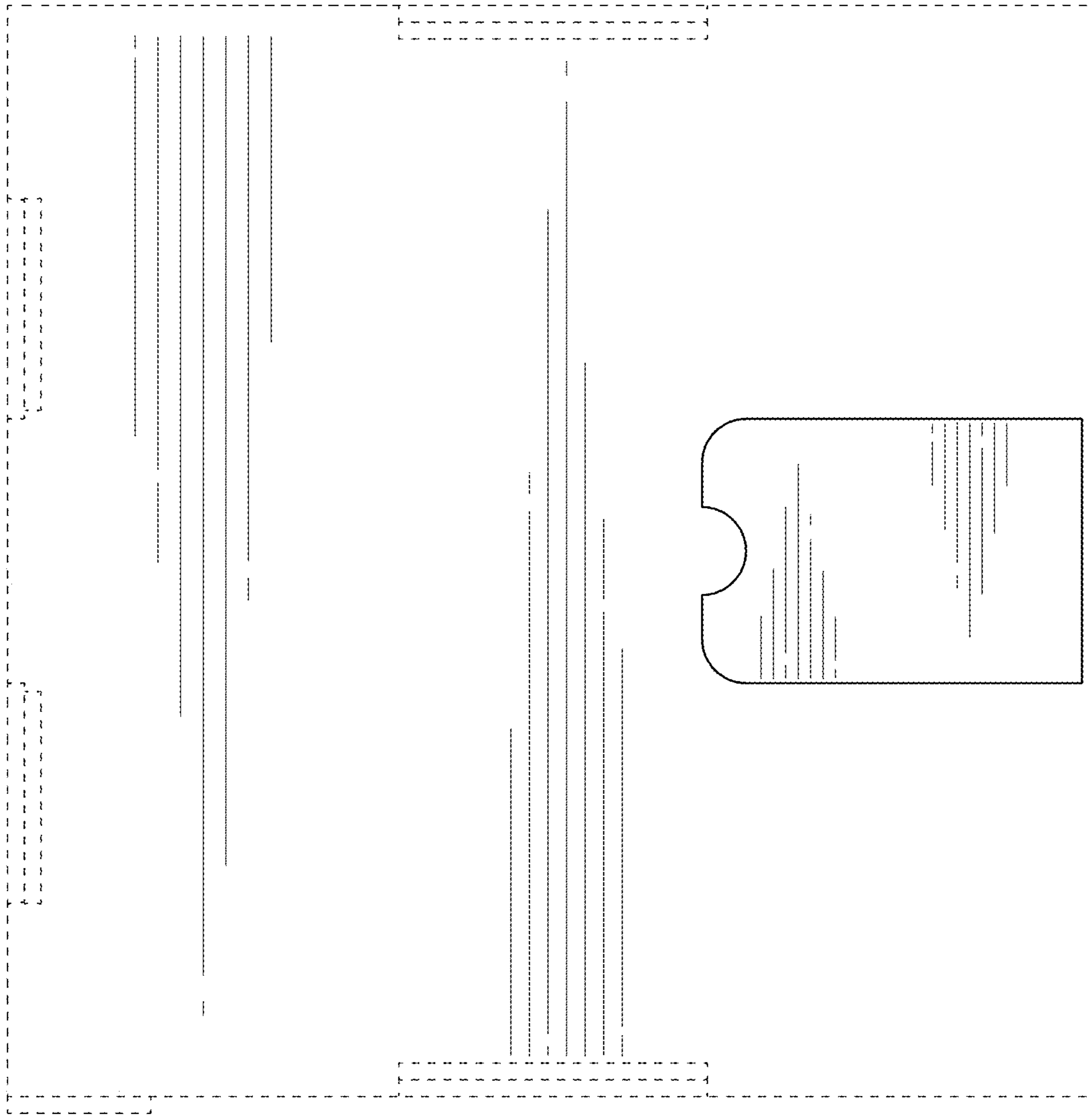


FIG. 13

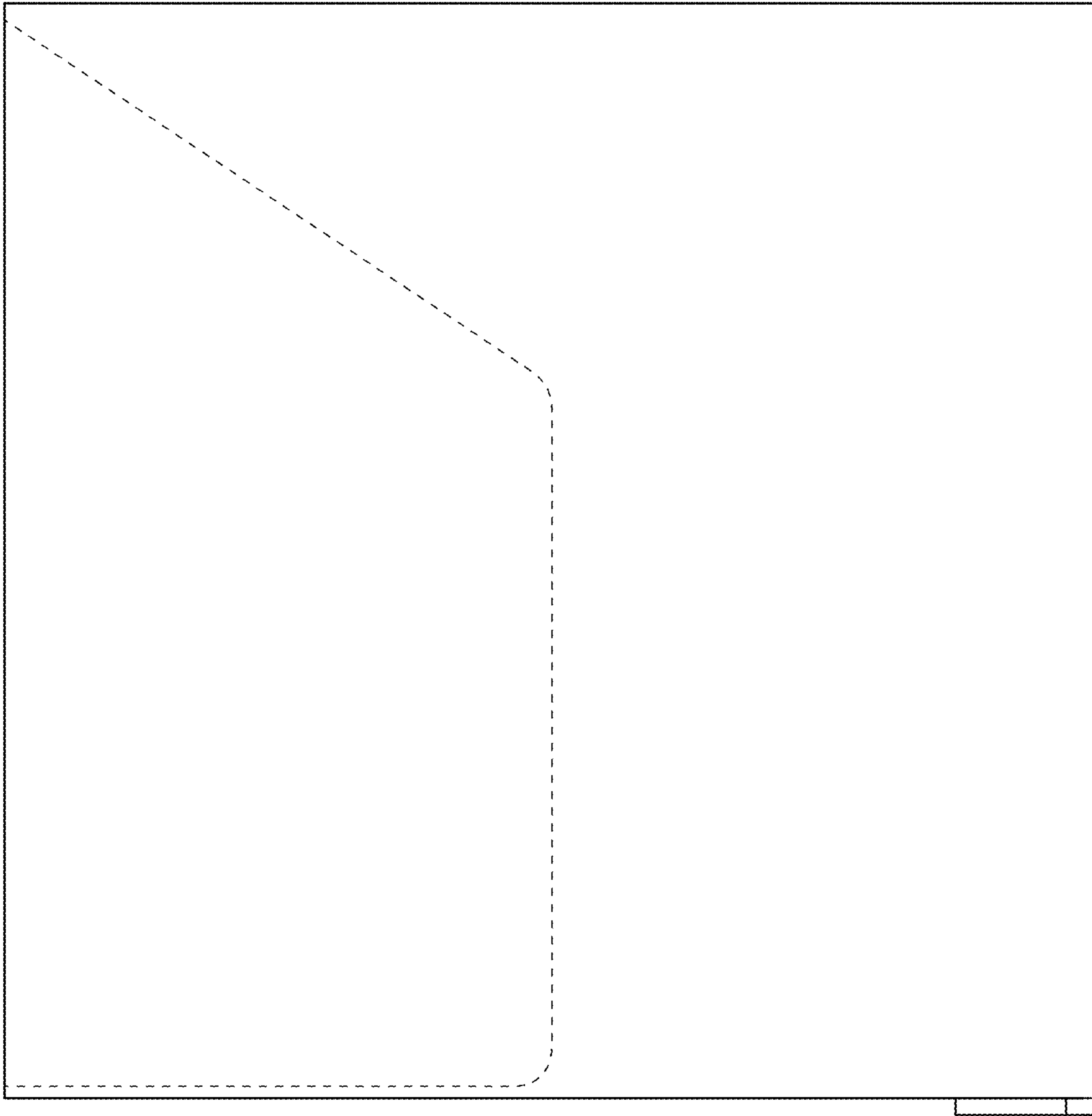


FIG. 14

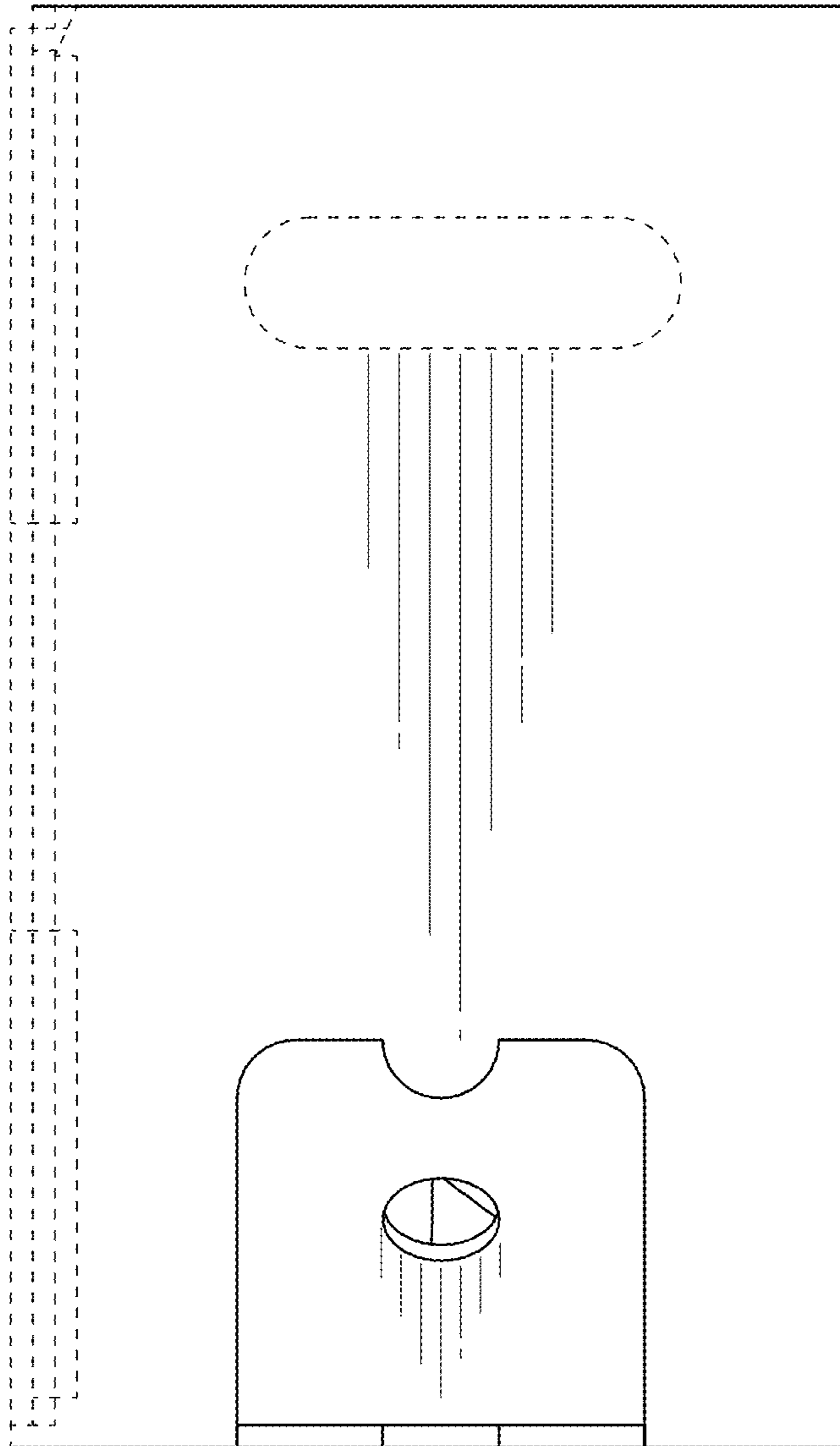


FIG. 15

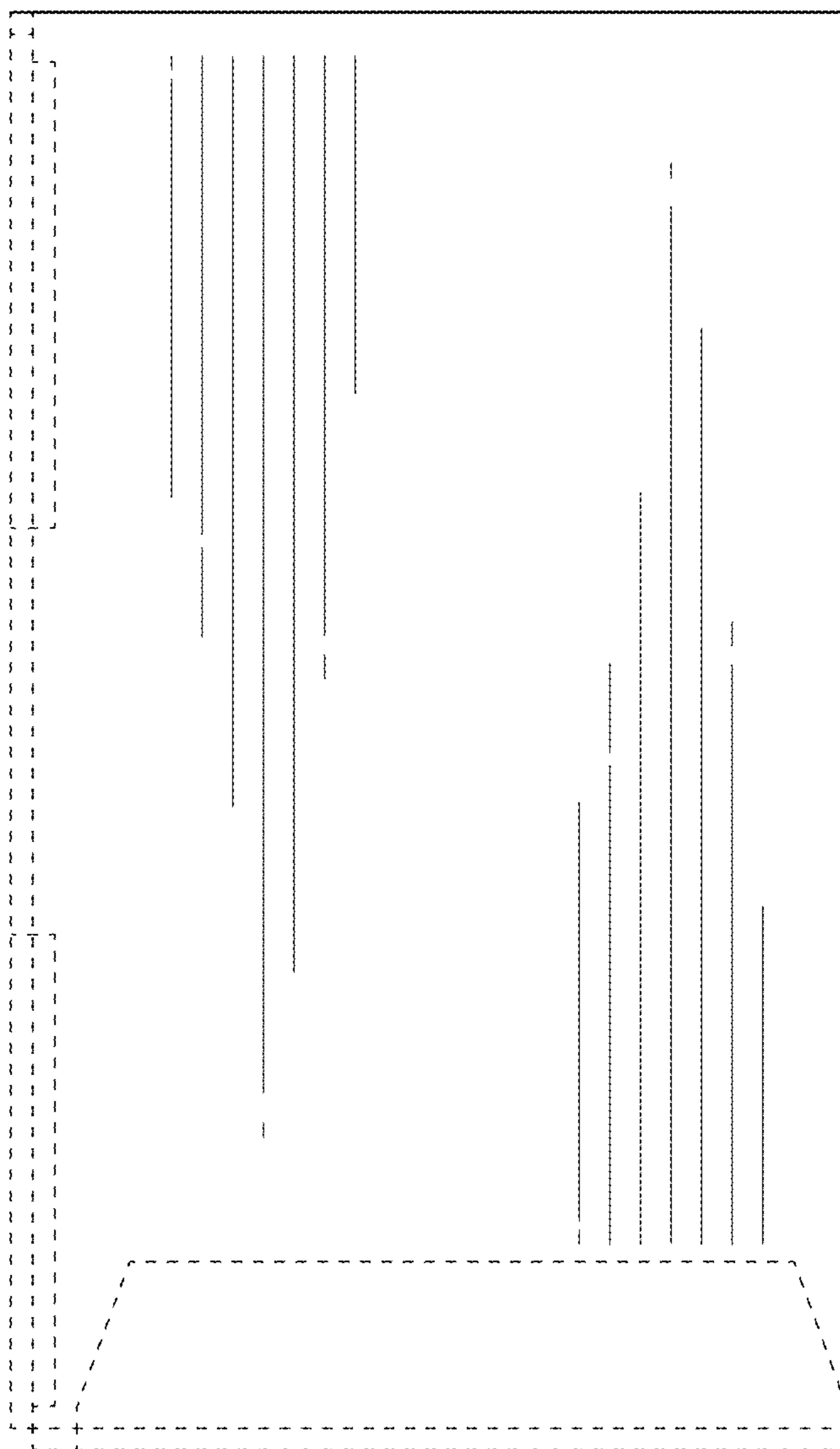


FIG. 16