



US00D887833S

(12) **United States Design Patent**
Juillet

(10) **Patent No.:** **US D887,833 S**

(45) **Date of Patent:** **** Jun. 23, 2020**

(54) **STORAGE BOX FOR HOROLOGICAL GOODS**

(71) Applicant: **NIVAROX-FAR S.A., Le Locle (CH)**

(72) Inventor: **Roger Juillet, Fontanemelon (CH)**

(73) Assignee: **Nivarox-Far S.A., Le Locle (CH)**

(**) Term: **15 Years**

(21) Appl. No.: **29/617,935**

(22) Filed: **Sep. 18, 2017**

(30) **Foreign Application Priority Data**

Mar. 16, 2017 (WO) DM/095810

(51) **LOC (12) Cl.** **09-03**

(52) **U.S. Cl.**
USPC **D9/432; D9/737**

(58) **Field of Classification Search**

USPC D9/414, 424, 426, 430, 432, 737, 456;
D24/227, 229; 206/427, 433, 499, 507,
206/518, 515, 516, 566, 521, 521.15,
206/591-593, 822; 220/4.21, 4.24
CPC B65D 5/503; B65D 65/00; B65D 81/113;
B65D 75/00; B65D 71/00; B65D 5/36;
B65D 5/20; B65D 81/02; B65D 21/0233
See application file for complete search history.

(56) **References Cited**

U.S. PATENT DOCUMENTS

3,710,975 A * 1/1973 Jansen B65D 43/162
206/456
4,369,883 A * 1/1983 Stravitz G11B 23/0236
206/387.15
4,580,412 A * 4/1986 Wells A47J 41/0044
62/372
4,681,223 A * 7/1987 Roberts B65D 43/162
206/1.5

4,765,500 A * 8/1988 Ingram B65D 11/1886
220/4.24
D322,403 S * 12/1991 Eaton D9/425
5,755,331 A * 5/1998 Watson B65D 81/05
206/320
5,779,045 A * 7/1998 Yu B65D 85/68
206/320
6,105,765 A * 8/2000 Chu B65D 81/025
206/320
6,220,442 B1 * 4/2001 Merrell B65D 43/162
206/521
D446,115 S * 8/2001 Merrell D9/425
D454,782 S * 3/2002 Kropf D9/414

(Continued)

Primary Examiner — W. A. Teddy Falloway

(74) *Attorney, Agent, or Firm* — Blank Rome LLP

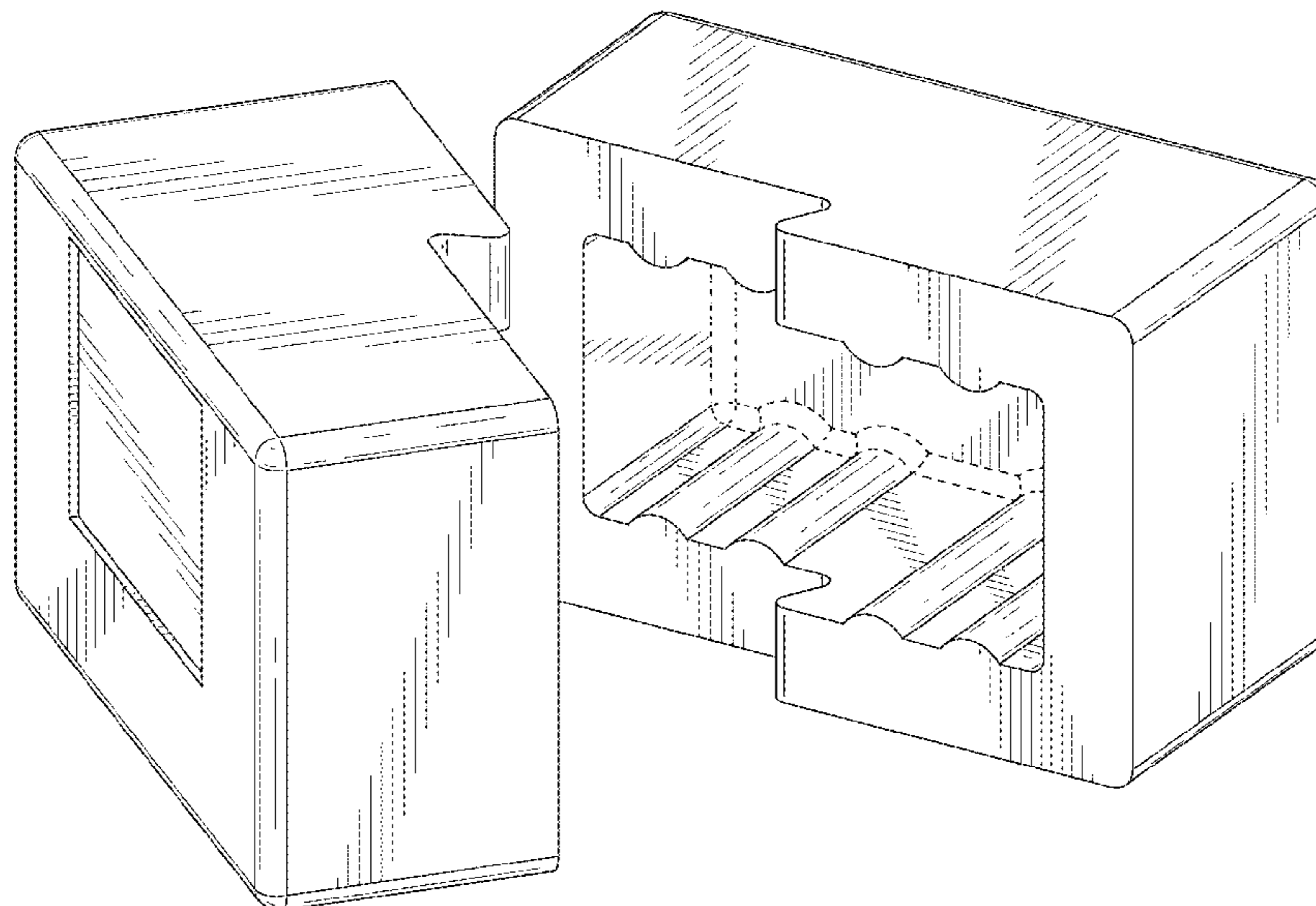
(57) **CLAIM**

The ornamental design for a storage box for horological goods, as shown and described.

DESCRIPTION

FIG. 1 is a front left perspective view of one piece of a two piece storage box for horological goods showing my new design;
FIG. 2 is a rear right perspective view thereof;
FIG. 3 is a top view thereof;
FIG. 4 is a bottom view thereof;
FIG. 5 is a left side view thereof;
FIG. 6 is a right side view thereof;
FIG. 7 is a front view thereof;
FIG. 8 is a rear view thereof;
FIG. 9 is a top perspective view of two pieces of the storage box facing each other thereof; and,
FIG. 10 is a bottom perspective view of two pieces of the storage box facing each other thereof.
The dash-dash broken lines illustrate portions of the storage box for horological goods and form no part of the claimed design.

1 Claim, 10 Drawing Sheets



(56)

References Cited

U.S. PATENT DOCUMENTS

6,478,158 B2 * 11/2002 Gaffney B65D 43/162
206/704
D662,820 S * 7/2012 Ouzts D9/456
D733,550 S * 7/2015 Birgers D9/414
D817,172 S * 5/2018 Jones D9/456
D818,824 S * 5/2018 Balander D9/456
10,059,495 B1 * 8/2018 Korustan B65D 65/466
2002/0189970 A1 * 12/2002 Koike B65D 81/133
206/592
2003/0080023 A1 * 5/2003 Slot B65D 81/133
206/588
2003/0207053 A1 * 11/2003 Yu B65D 81/113
428/34.1
2006/0032783 A1 * 2/2006 Zaidi A45C 11/00
206/701
2011/0005964 A1 * 1/2011 He B65D 5/503
206/592
2017/0334598 A1 * 11/2017 Tanus B65B 23/20

* cited by examiner

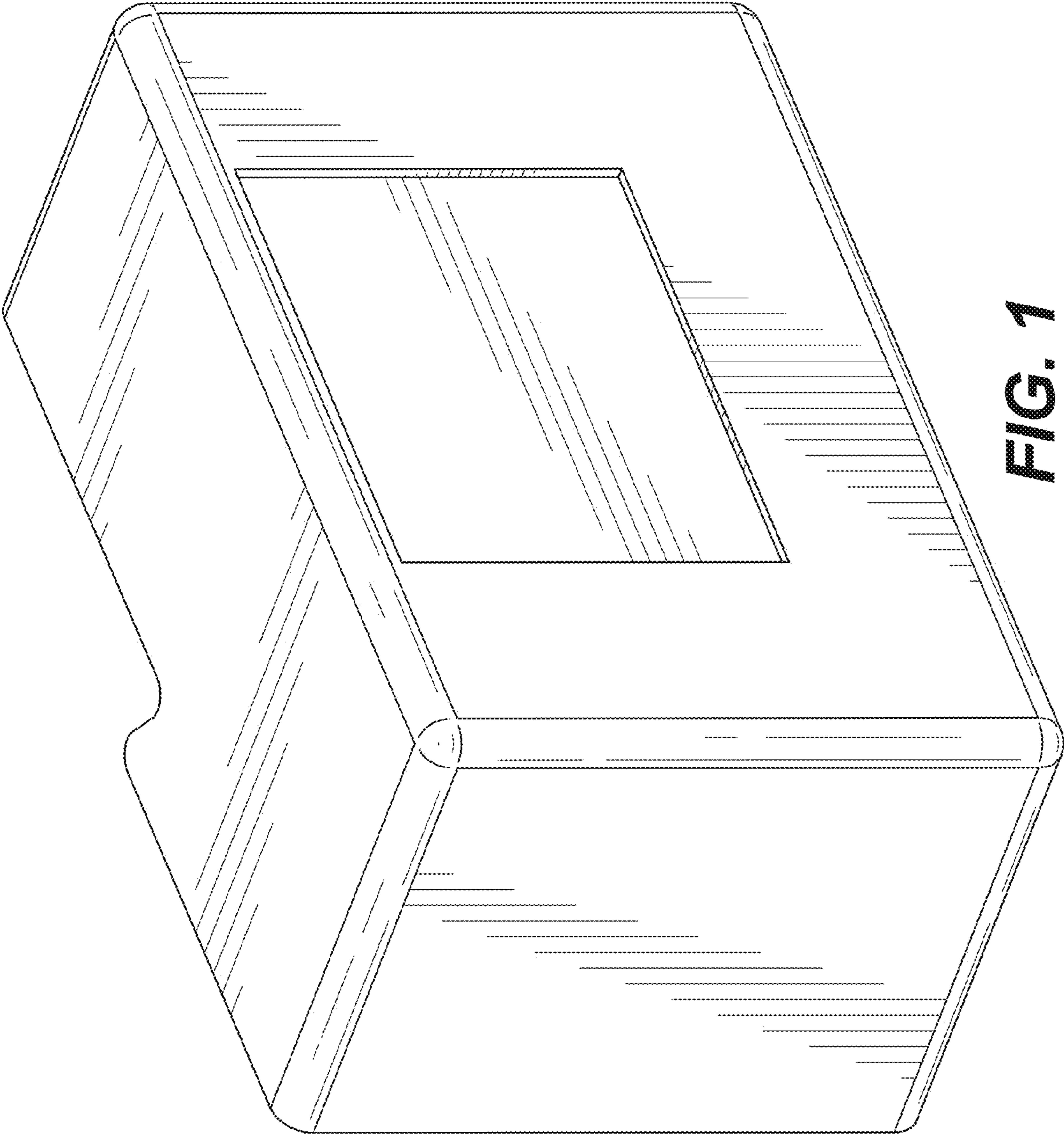


FIG. 1

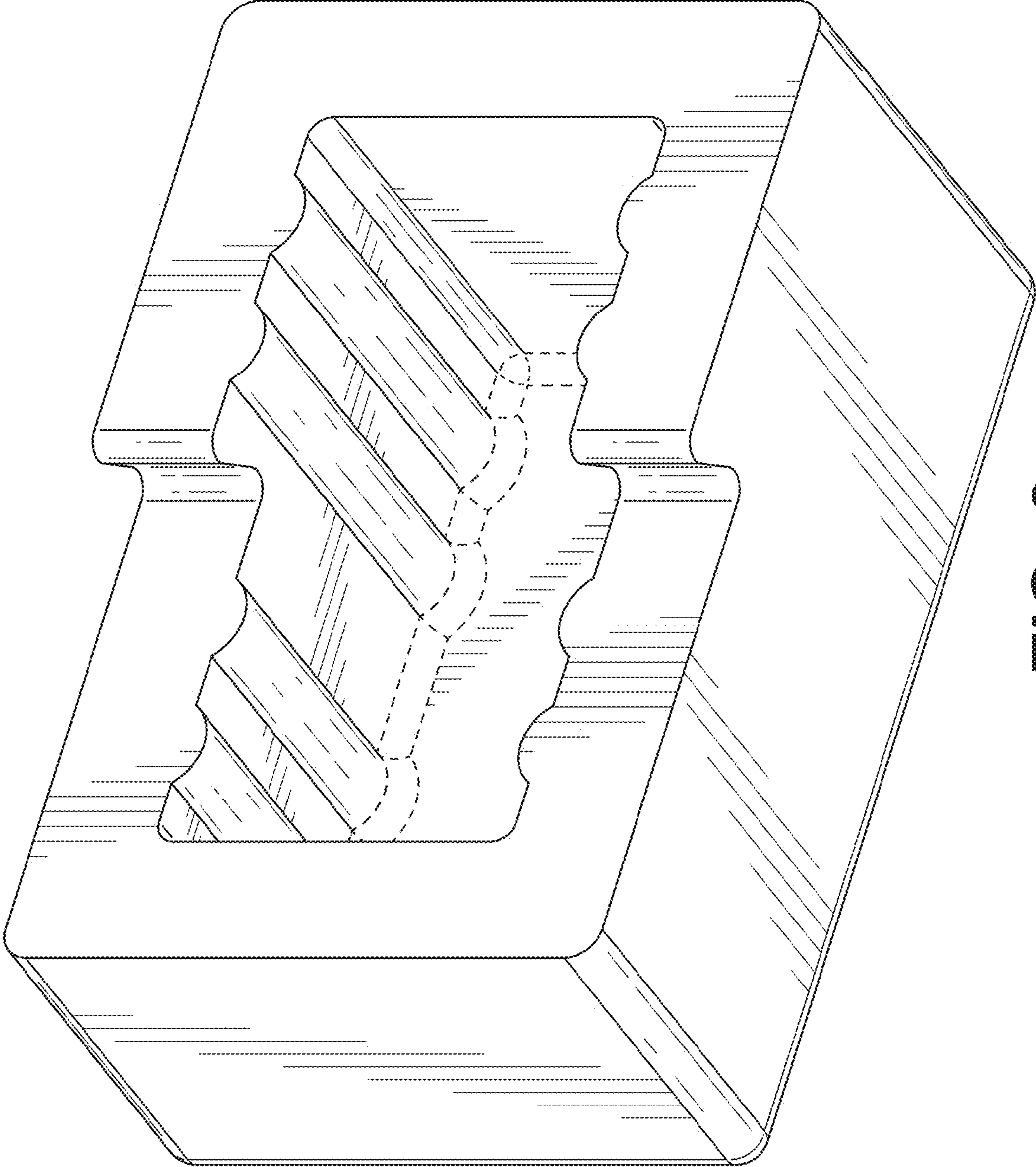


FIG. 2

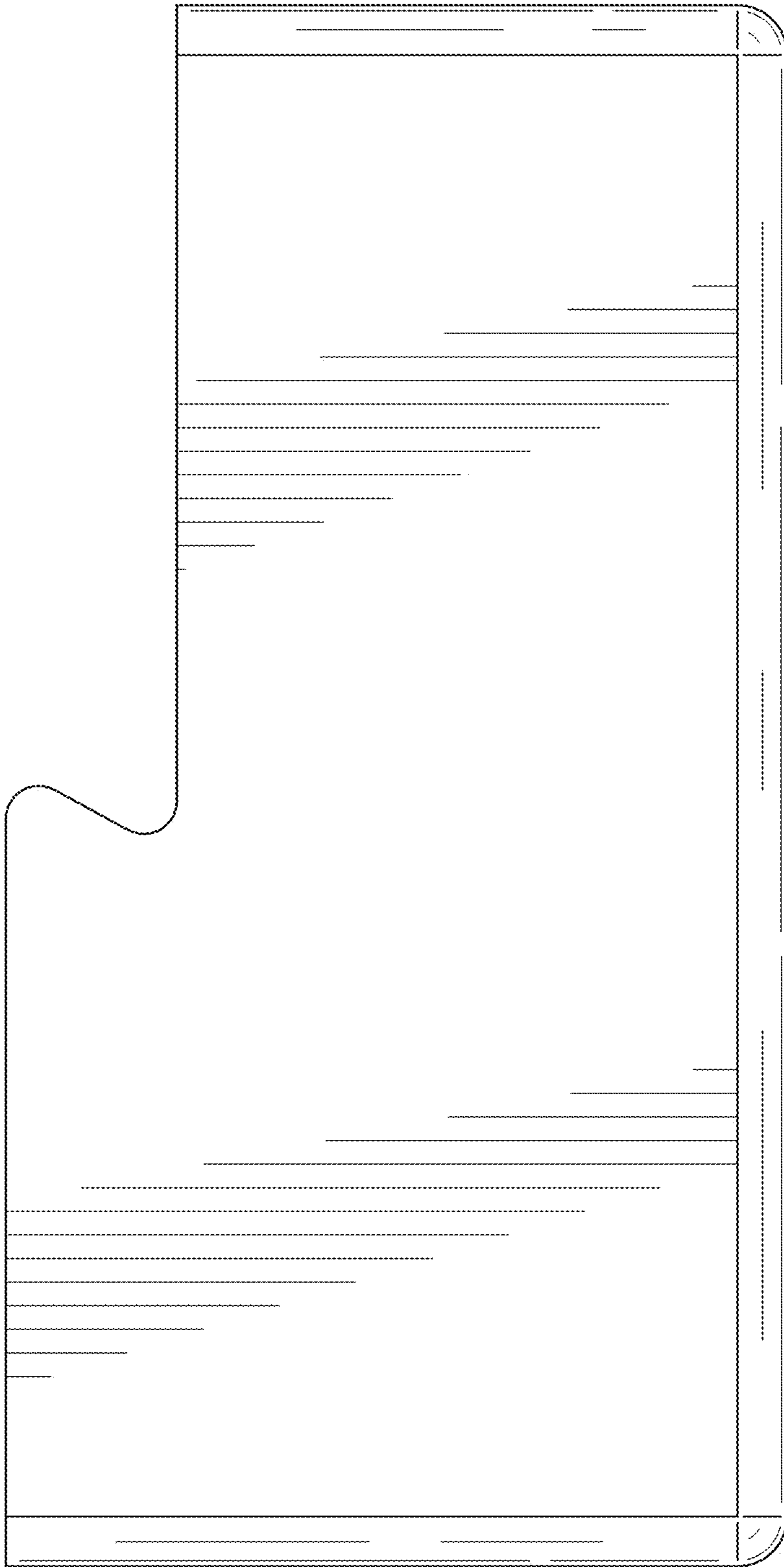


FIG. 3

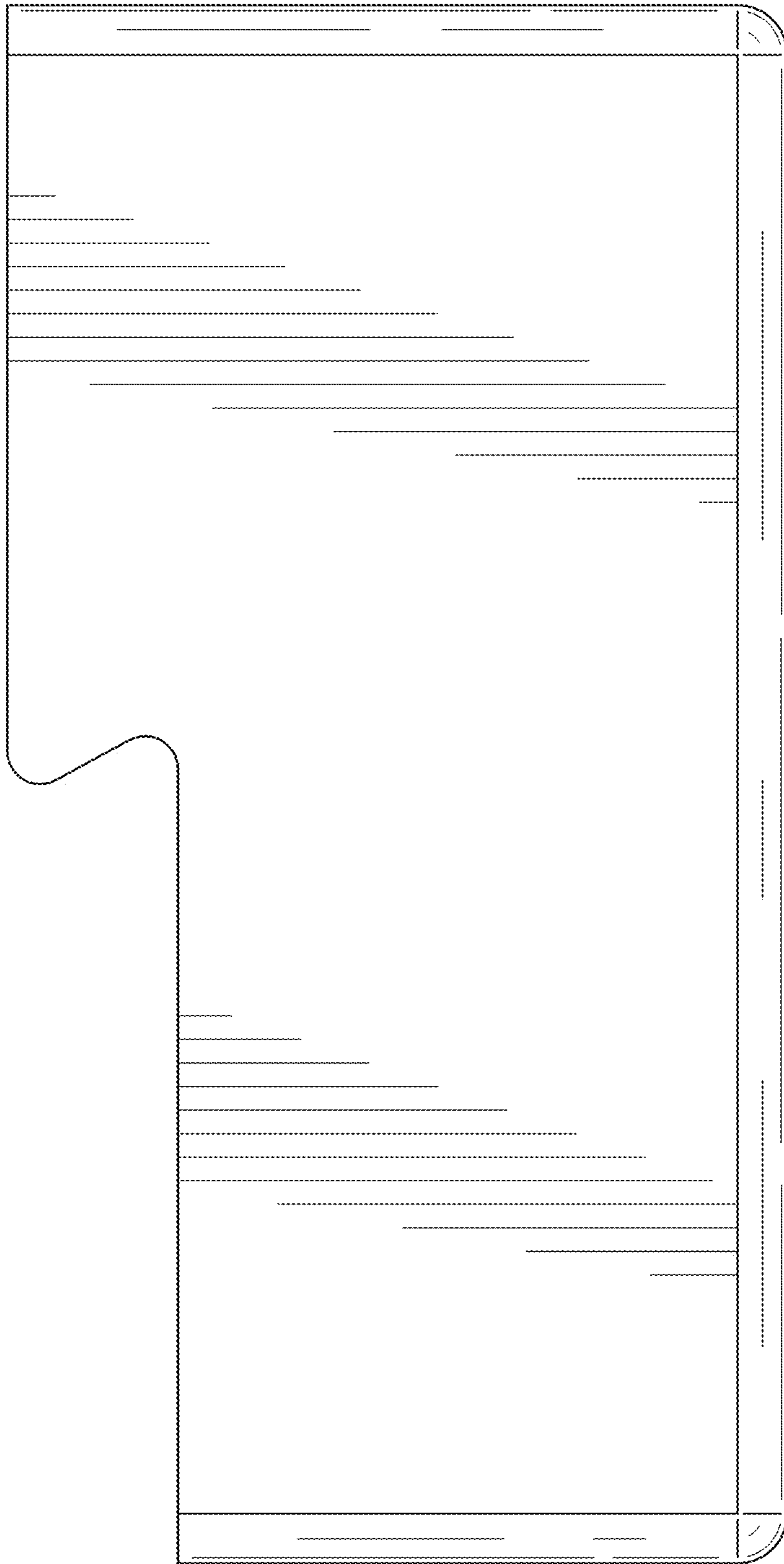


FIG. 4

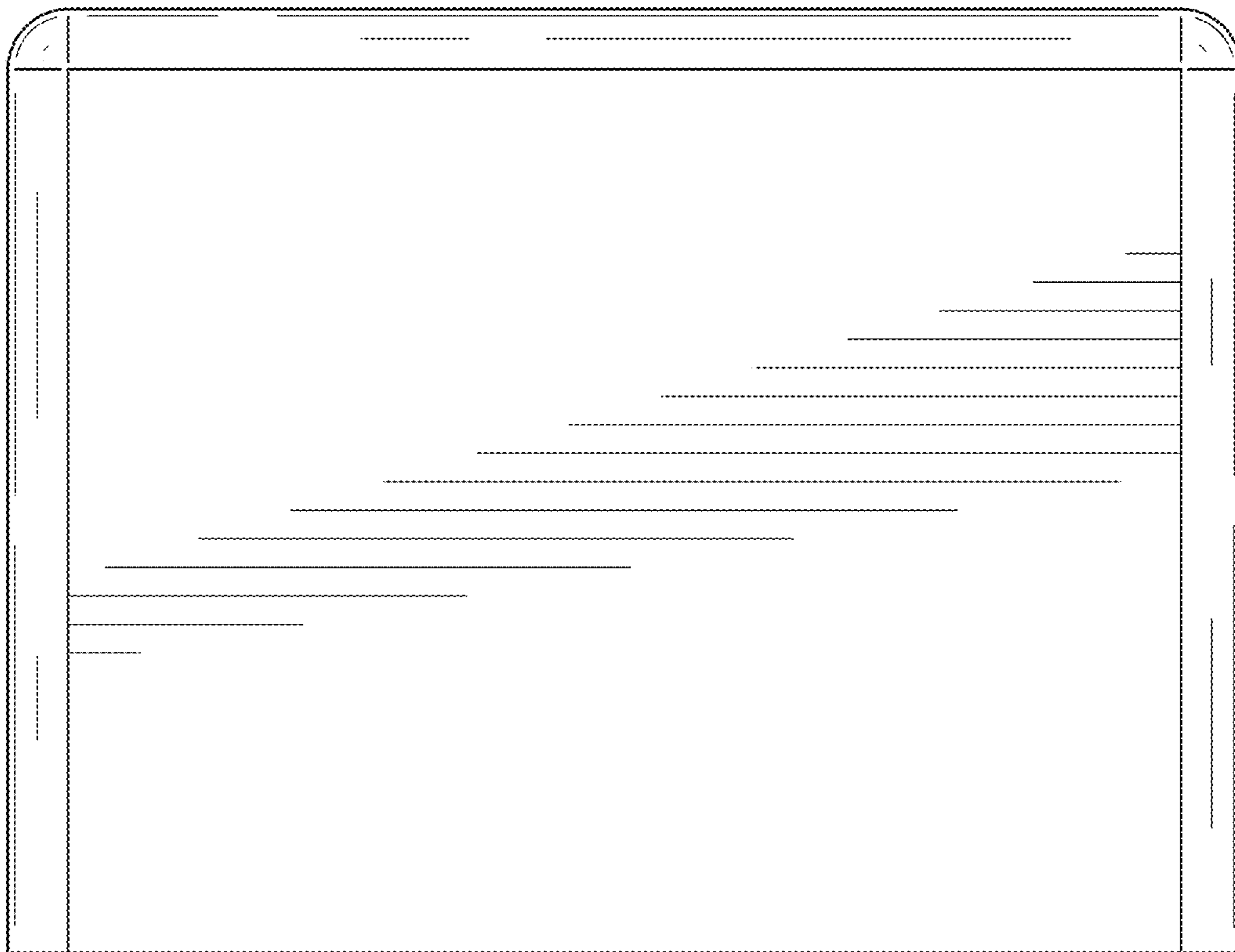


FIG. 5

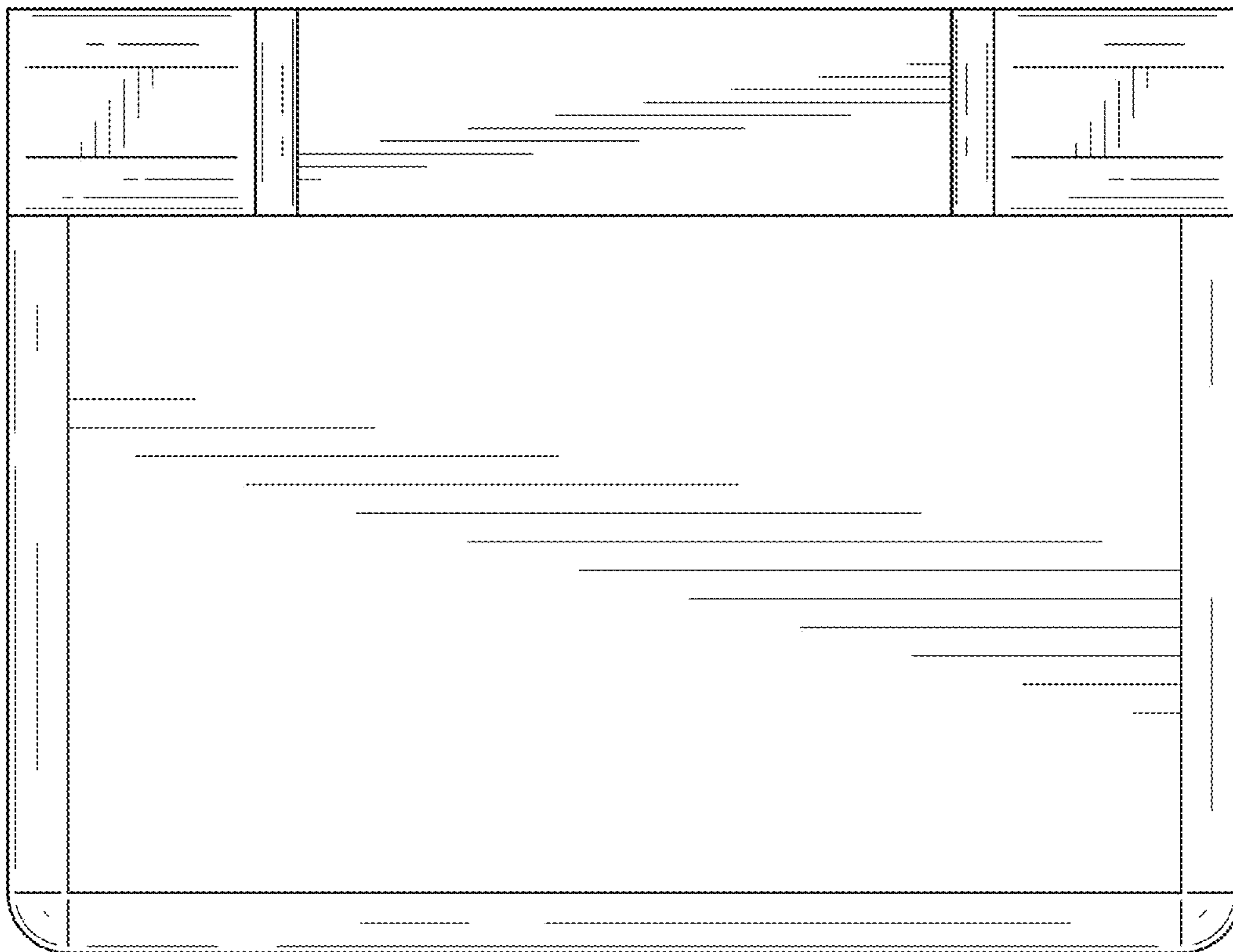


FIG. 6

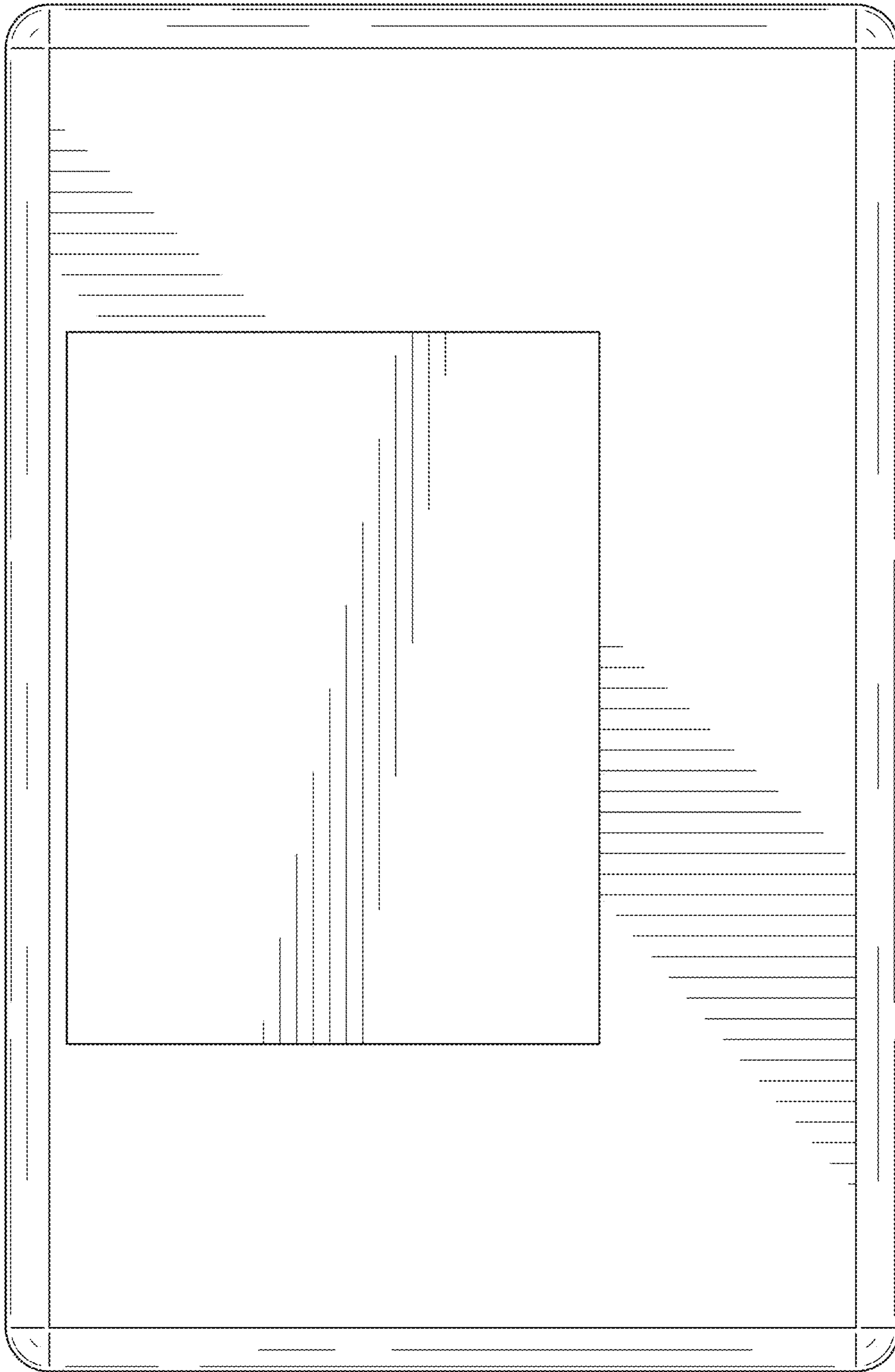


FIG. 7

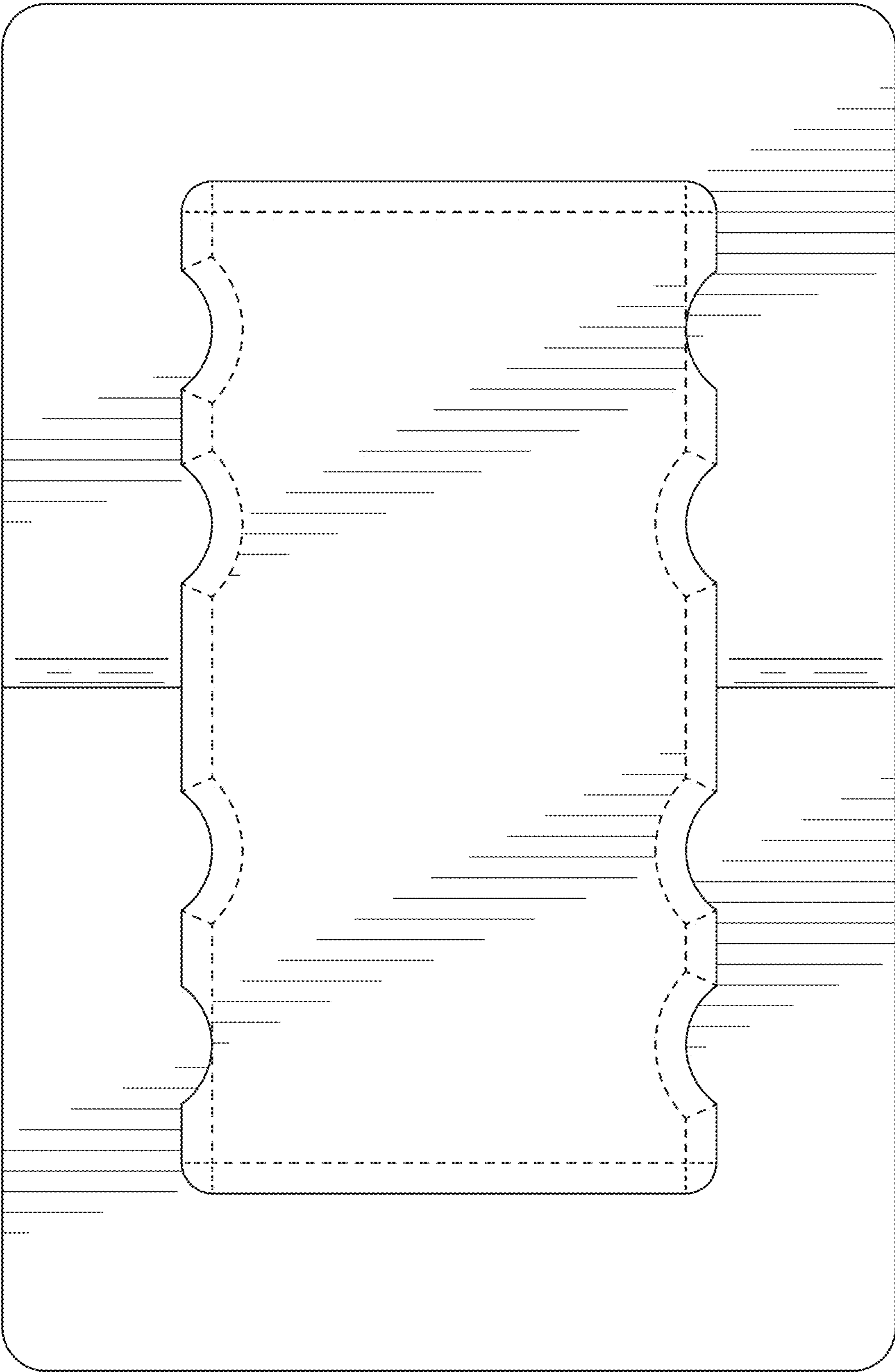


FIG. 8

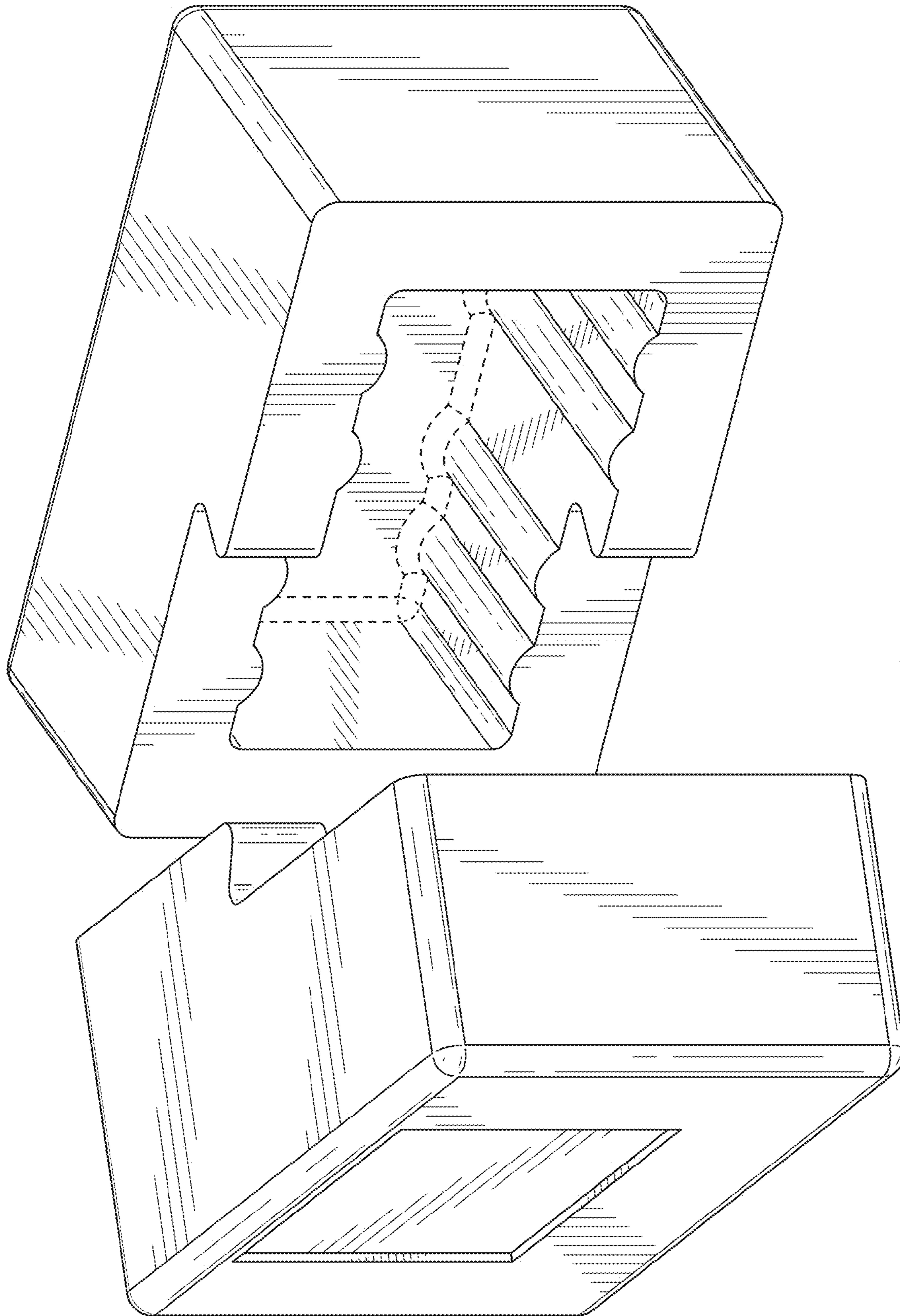


FIG. 9

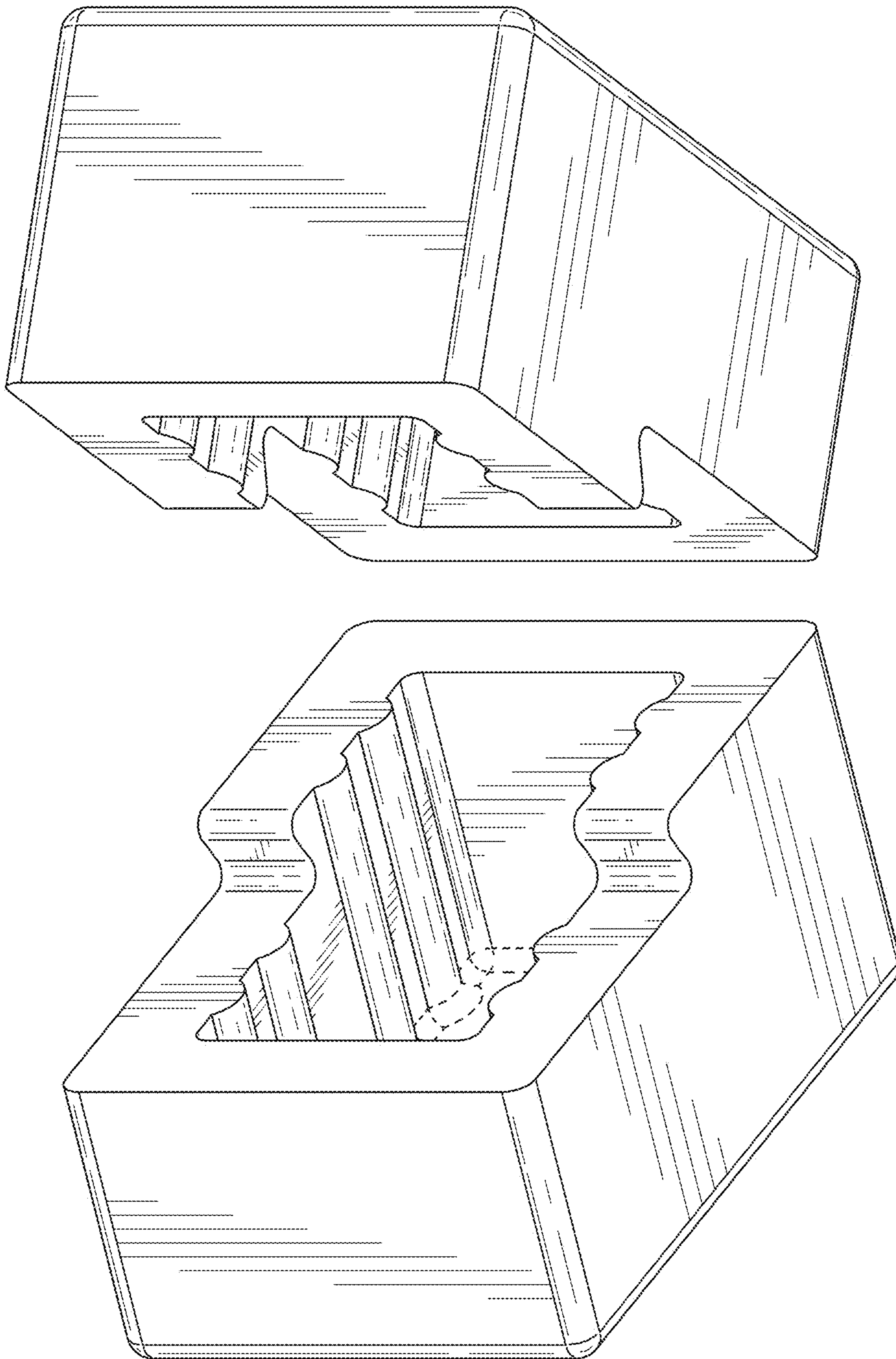


FIG. 10