



US00D887832S

(12) **United States Design Patent** (10) **Patent No.:** **US D887,832 S**
Boersma et al. (45) **Date of Patent:** **** Jun. 23, 2020**

(54) **CARTON** 1,253,193 A 1/1918 Hill
2,115,673 A 4/1938 Stompe
(71) Applicant: **Graphic Packaging International, LLC**, Atlanta, GA (US) 2,382,368 A 8/1945 Mitchell, Jr.
2,383,183 A 8/1945 Fishcher
(Continued)

(72) Inventors: **Harmen Boersma**, Heerenveen (NL);
Ana Gonzalez, Barcelona (ES); **Esteve Rovira Porta**, Barcelona (ES); **Brian Smalley**, Bristol (GB); **Jon Thompson**, Bristol (GB); **Marie Zix**, Avion (FR)

FOREIGN PATENT DOCUMENTS

CA 27146 4/1965
CA 877792 8/1971
(Continued)

(73) Assignee: **Graphic Packaging International, LLC**, Atlanta, GA (US)

OTHER PUBLICATIONS

(**) Term: **15 Years**

Graphic Packaging. QuickFlex ReShape. No date specified. <https://www.graphicpkg.com/products/quikflex-reshape/> (Year: 0).*

(21) Appl. No.: **29/692,642**

(Continued)

(22) Filed: **May 28, 2019**

Primary Examiner — Darcey E Gottschalk

Related U.S. Application Data

(74) *Attorney, Agent, or Firm* — Womble Bond Dickinson (US) LLP

(60) Division of application No. 29/624,288, filed on Oct. 31, 2017, which is a division of application No. 29/582,962, filed on Nov. 1, 2016, now Pat. No. Des. 826,711, which is a continuation of application No. 15/286,963, filed on Oct. 6, 2016, now Pat. No. 10,202,228.

(57) **CLAIM**

The ornamental design for a carton, as shown and described.

(51) **LOC (12) Cl.** **09-03**

(52) **U.S. Cl.**
USPC **D9/431**; D9/414; D9/434

(58) **Field of Classification Search**
USPC D7/601, 602, 609; D3/201, 203.1, 203.5, D3/203.6; D9/414–416, 418, 434, 499, D9/430–433, 737, 759–761
CPC B65D 5/46; B65D 5/10
See application file for complete search history.

DESCRIPTION

FIG. 1 is a perspective view of a carton according to the disclosure.

FIG. 2 is a left elevation view of the carton of FIG. 1, the right elevation view being identical.

FIG. 3 is a front elevation view of the carton of FIG. 1, the rear elevation view being identical; and,

FIG. 4 is a top plan view of the carton of FIG. 1, the bottom plan view being a mirror image.

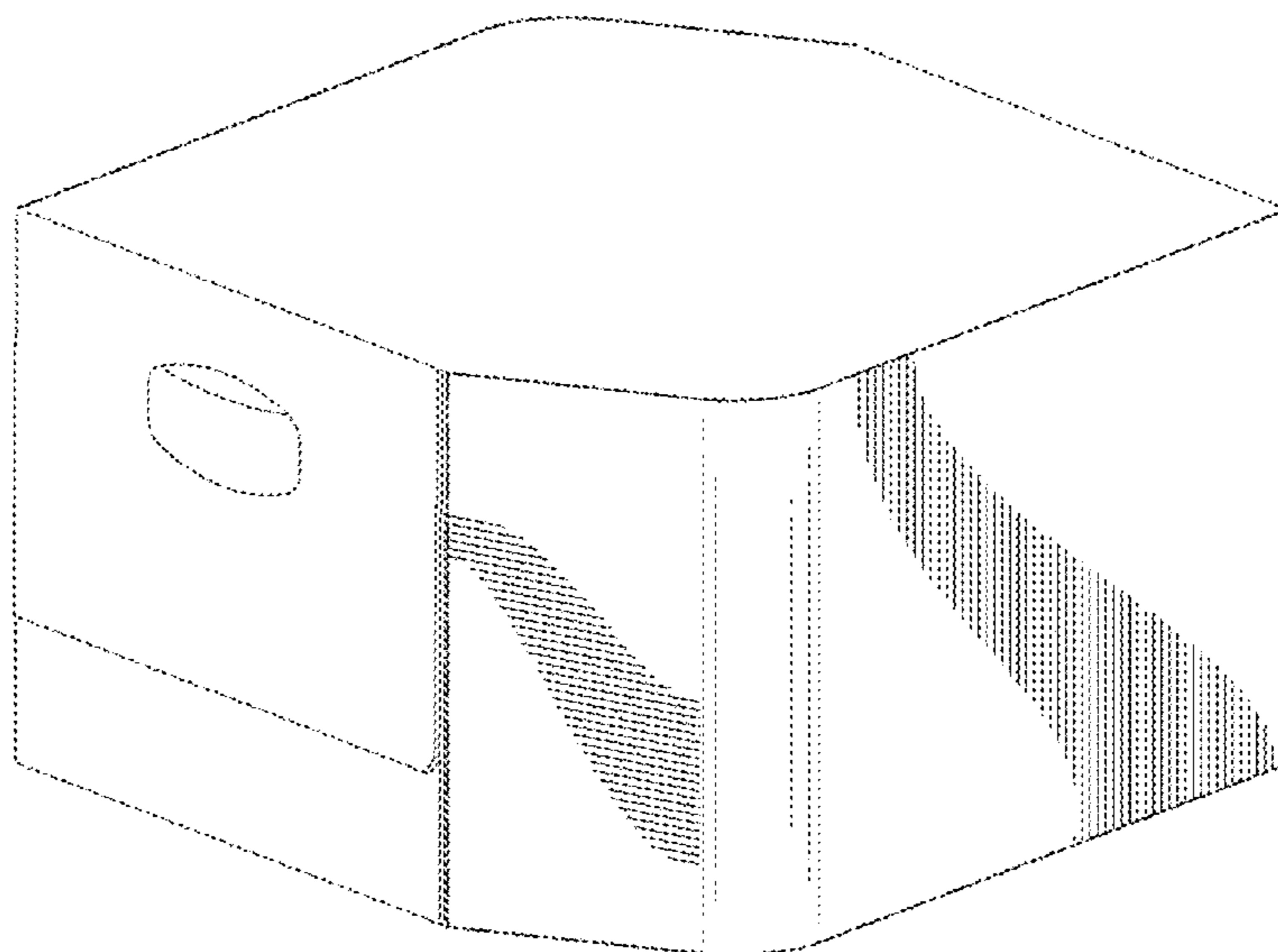
The bold dash-dot-dot-dash lines shown adjacent the shaded regions show the boundaries of the claimed subject matter. All evenly-spaced broken lines depict environmental subject matter only that forms no part of the claimed design and form no part thereof.

(56) **References Cited**

U.S. PATENT DOCUMENTS

D4,359 S 9/1870 Leslie
926,758 A 7/1909 Miller

1 Claim, 4 Drawing Sheets



(56)

References Cited

U.S. PATENT DOCUMENTS

2,586,301 A	2/1952	Castle	4,875,586 A	10/1989	Chaussadas
2,594,376 A	4/1952	Arneson	4,890,440 A	1/1990	Romagnoli
2,702,144 A	2/1955	Forrer	D306,402 S	3/1990	Colla
2,797,856 A	7/1957	Jaeschke	4,949,845 A	8/1990	Dixon
2,800,224 A	7/1957	Walter et al.	D311,339 S	10/1990	Weed
2,810,506 A	10/1957	Kessler	4,966,324 A	10/1990	Steel
2,819,506 A	10/1957	Kessler	4,974,771 A	12/1990	Lavery
2,868,433 A	1/1959	Anderson, Jr.	5,020,337 A	6/1991	Krieg
2,955,739 A	10/1960	Collura	D318,235 S	7/1991	Weed
D194,246 S	12/1962	Engelmann	5,060,792 A	10/1991	Oloff
3,112,856 A	12/1963	MacIntosh et al.	5,071,062 A	12/1991	Bradley et al.
3,127,720 A	4/1964	Gentry et al.	5,072,876 A	12/1991	Wilson
3,166,235 A	1/1965	Schroeder	5,094,359 A	3/1992	DeMars et al.
3,178,242 A	4/1965	Ellis et al.	5,106,014 A	4/1992	Miller
3,204,814 A	9/1965	Mahon	5,118,032 A	6/1992	Geho
3,204,815 A	9/1965	Weis	5,119,985 A	6/1992	Dawson et al.
3,309,005 A	3/1967	Pilger	5,137,211 A	8/1992	Summer et al.
3,334,767 A	8/1967	Cornelius et al.	5,197,598 A	3/1993	Stout et al.
3,355,012 A	11/1967	Weiss	5,221,041 A	6/1993	Stout et al.
3,356,279 A	12/1967	Root	5,222,658 A	6/1993	DeMaio et al.
3,381,881 A	5/1968	Granz et al.	5,234,102 A	8/1993	Schuster et al.
3,638,851 A	2/1972	Offer et al.	D339,061 S	9/1993	Kilmartin, III
D230,955 S	3/1974	Katzenmeyer	5,246,112 A	9/1993	Stout et al.
3,807,624 A	4/1974	Funkhouser	5,263,634 A	11/1993	Korine
3,828,926 A	8/1974	Rossi	5,284,294 A	2/1994	Floyd
3,886,901 A	6/1975	Zeitter	5,292,058 A	3/1994	Zoss et al.
3,894,681 A	7/1975	Arneson et al.	5,297,725 A	3/1994	Sutherland
3,904,036 A	9/1975	Forrer	5,303,863 A	4/1994	Arasim
3,912,156 A	10/1975	May	5,307,932 A	5/1994	Stout et al.
3,933,303 A	1/1976	Kirby, Jr.	5,307,986 A	5/1994	Schuster
3,994,432 A	11/1976	Kirby, Jr.	5,320,277 A	6/1994	Stout et al.
4,029,204 A	6/1977	Manizza	5,328,030 A	7/1994	Sutherland
D244,993 S	7/1977	Drysdale	5,328,081 A	7/1994	Saulas
4,036,423 A	7/1977	Gordon	5,333,734 A	8/1994	Stout et al.
4,063,679 A	12/1977	Henry	D350,480 S	9/1994	Sutherland
4,096,985 A	6/1978	Wood	5,350,110 A	9/1994	Will
4,111,306 A	9/1978	Roccaforte	5,379,944 A	1/1995	Stout et al.
4,173,823 A	11/1979	Anderson et al.	5,381,891 A	1/1995	Harris
4,216,861 A	8/1980	Oloff	5,385,234 A	1/1995	Stout et al.
4,318,474 A	3/1982	Hasegawa	5,395,044 A	3/1995	Stout
4,328,923 A	5/1982	Graser	5,427,241 A	6/1995	Sutherland
4,329,923 A	5/1982	Iida	5,458,234 A	10/1995	Harris
4,331,289 A	5/1982	Killy	D364,344 S	11/1995	Shaw
4,360,107 A	11/1982	Roccaforte	5,472,090 A	12/1995	Sutherland
4,364,509 A	12/1982	Holley et al.	5,472,136 A	12/1995	Roccaforte
4,375,258 A	3/1983	Crayne et al.	5,485,915 A	1/1996	Harris
4,378,905 A	4/1983	Roccaforte	5,495,727 A	3/1996	Strong et al.
4,382,505 A	5/1983	Sutherland et al.	5,505,372 A	4/1996	Edson et al.
4,396,143 A	8/1983	Killy	5,524,756 A	6/1996	Sutherland
4,417,655 A	11/1983	Forbes, Jr.	5,535,940 A	7/1996	Olds
4,418,864 A	12/1983	Nielsen	5,551,556 A	9/1996	Sutherland
4,424,901 A	1/1984	Lanier	5,560,539 A	10/1996	Baxter
4,436,244 A	3/1984	Morris	5,582,343 A	12/1996	Dalvey
4,440,340 A	4/1984	Bakx	D377,861 S	2/1997	Jacober
4,470,503 A	9/1984	Stone	5,605,279 A	2/1997	Adamek
4,476,989 A	10/1984	Larsen	5,622,309 A	4/1997	Matsuda et al.
4,478,334 A	10/1984	Graser	5,639,017 A	6/1997	Fogle
4,498,619 A	2/1985	Roccaforte	5,647,483 A	7/1997	Harris
4,508,258 A	4/1985	Graser	5,664,683 A	9/1997	Brody
4,538,759 A	9/1985	Dutcher	5,669,500 A	9/1997	Sutherland
4,545,485 A	10/1985	Oloff	5,678,492 A	10/1997	Pinkstone et al.
4,546,914 A	10/1985	Roccaforte	5,690,213 A	11/1997	Matsumura
4,567,341 A	1/1986	Brown	5,699,957 A	12/1997	Bin et al.
4,577,762 A	3/1986	Kuchenbecker	5,704,470 A	1/1998	Sutherland
4,577,799 A	3/1986	Oloff	5,738,273 A	4/1998	Auclair
4,588,084 A	5/1986	Holley, Jr.	5,739,273 A	4/1998	Engelman et al.
4,653,686 A	3/1987	Wood et al.	D395,004 S	6/1998	Shamoon
4,706,876 A	11/1987	Wilson	D395,823 S	7/1998	Durand
4,747,487 A	5/1988	Wood	5,794,778 A	8/1998	Harris
4,747,534 A	5/1988	Marie	5,794,811 A	8/1998	Walsh
4,765,534 A	8/1988	Zion et al.	5,806,755 A	9/1998	Correll
4,784,266 A	11/1988	Chaussadas	5,826,782 A	10/1998	Stout
4,784,316 A	11/1988	Crouch	5,826,783 A	10/1998	Stout
4,802,583 A	2/1989	Calvert et al.	5,833,130 A	11/1998	Correll
4,830,267 A	5/1989	Wilson	5,848,749 A	12/1998	Ljungström
			5,860,587 A	1/1999	Young
			5,873,515 A	2/1999	Dunn et al.
			5,875,961 A	3/1999	Stone et al.
			5,878,946 A	3/1999	Frerot et al.

(56)

References Cited

U.S. PATENT DOCUMENTS

5,906,313	A	5/1999	Oloff		D582,267	S	12/2008	Andre	
5,915,546	A	6/1999	Harrelson		7,472,791	B2	1/2009	Spivey, Sr.	
5,921,398	A	7/1999	Carroll		D589,343	S	3/2009	Bohache	
5,924,559	A	7/1999	Carrel et al.		7,546,924	B2	6/2009	Oliveira	
5,992,733	A	11/1999	Gomes		D597,835	S *	8/2009	Kwon	D9/432
D420,907	S	2/2000	Stacy-Ryan		7,571,807	B2	8/2009	DeBusk et al.	
6,019,276	A	2/2000	Auclair		D602,631	S	10/2009	Steinkamp	
6,021,897	A	2/2000	Sutherland		D603,092	S	10/2009	Steinkamp	
D424,429	S	5/2000	Anchor		7,601,111	B2	10/2009	Sutherland et al.	
D425,436	S	5/2000	Wei		D606,243	S	12/2009	Steinkamp	
6,065,590	A	5/2000	Spivey		D606,244	S	12/2009	Steinkamp	
D426,154	S	6/2000	De Baschmakoff		7,665,653	B2	2/2010	Fitzwater	
6,085,969	A	7/2000	Burgoyne		7,699,215	B2	4/2010	Spivey, Sr.	
6,105,853	A	8/2000	Lamare		7,703,666	B2	4/2010	Hand et al.	
6,105,854	A	8/2000	Spivey et al.		7,743,944	B2	6/2010	Ho Fung et al.	
6,109,512	A	8/2000	Morrison		7,743,968	B2	6/2010	Theelen	
6,112,977	A	9/2000	Sutherland et al.		7,748,603	B2	7/2010	Fogle et al.	
6,129,266	A	10/2000	Oloff et al.		7,757,933	B2	7/2010	Dunn	
6,131,803	A	10/2000	Oloff et al.		7,762,450	B2	7/2010	Oliveira	
6,155,480	A	12/2000	Botsford et al.		7,766,219	B2	8/2010	Gomes et al.	
6,164,526	A	12/2000	Dalvey		7,793,779	B2	9/2010	Spivey, Sr. et al.	
6,170,741	B1	1/2001	Skolik et al.		7,806,314	B2	10/2010	Sutherland	
6,176,419	B1	1/2001	Holley, Jr.		D628,884	S	12/2010	Smith	
6,202,920	B1	3/2001	Auclair		D634,892	S	3/2011	Hein	
6,206,277	B1	3/2001	Correll		D640,133	S	6/2011	Jones	
6,227,367	B1	5/2001	Harrelson et al.		D643,687	S	8/2011	Aharon	
6,260,755	B1	7/2001	Bates et al.		8,070,052	B2	12/2011	Spivey, Sr. et al.	
6,290,122	B1	9/2001	Correll		D657,239	S	4/2012	Gavrilenkov	
6,302,320	B1	10/2001	Stout		8,191,761	B2	6/2012	Brand	
D452,154	S	12/2001	Rhodes et al.		D668,118	S *	10/2012	Hayes	D7/602
6,364,199	B1	4/2002	Rose		D668,144	S	10/2012	Swart	
6,371,365	B1	4/2002	Doucette et al.		D668,532	S *	10/2012	Bowler	D9/415
6,375,066	B1	4/2002	Ritter		D668,951	S	10/2012	Voelker	
6,409,077	B1	6/2002	Telesca et al.		D670,163	S	11/2012	Lauritzen	
6,425,520	B1	7/2002	Peterson		D670,999	S	11/2012	Stowe	
D470,769	S *	2/2003	Holthaus	D9/430	8,376,214	B2	2/2013	Spivey, Sr. et al.	
6,523,739	B2	2/2003	Heeley et al.		D678,056	S	3/2013	Swart	
6,536,656	B2	3/2003	Auclair et al.		D683,212	S	5/2013	Kolton	
D473,464	S	4/2003	Anchor		D684,042	S	6/2013	Betzig	
6,571,539	B2	6/2003	Gendre et al.		D684,464	S *	6/2013	Swart	D9/430
6,631,803	B2	10/2003	Rhodes et al.		8,459,533	B2	6/2013	Requena et al.	
D482,934	S *	12/2003	Liu	D7/602	D686,491	S *	7/2013	Kuo	D9/432
6,715,639	B2	4/2004	Spivey		D703,529	S *	4/2014	Voelker	D9/430
D489,609	S *	5/2004	Holthaus	D9/430	8,740,051	B2	6/2014	Gonzalez	
6,752,262	B1	6/2004	Boriani et al.		D719,441	S *	12/2014	Matloff	D9/430
6,758,337	B2	7/2004	Chargueraud et al.		D719,824	S	12/2014	Wagner	
6,766,940	B2	7/2004	Negelen		8,955,736	B2	2/2015	Spivey, Sr. et al.	
D495,247	S	8/2004	Keberlein		D726,534	S	4/2015	Lo Faro	
6,834,793	B2	12/2004	Sutherland		D726,535	S	4/2015	Sanfilippo	
6,848,573	B2	2/2005	Gould et al.		D737,135	S *	8/2015	Mizutani	D9/414
6,866,186	B2	3/2005	Fogle et al.		D747,868	S *	1/2016	Steka	D3/201
6,869,009	B2	3/2005	Sutherland et al.		9,415,914	B2	8/2016	Holley, Jr.	
6,899,221	B2	5/2005	Skolik et al.		9,487,320	B2	11/2016	Holley, Jr.	
D506,670	S	6/2005	Borkoski		9,499,319	B2	11/2016	Schmal et al.	
6,905,066	B2	6/2005	Holley		D775,946	S	1/2017	Ghini	
6,926,193	B2	8/2005	Smalley		D778,716	S	2/2017	Takahashi	
6,945,450	B2	9/2005	Rusnock		D781,143	S	3/2017	Holley, Jr.	
6,968,992	B2	11/2005	Schuster		D781,569	S *	3/2017	Rolfs	D3/203.1
D513,177	S	12/2005	Tachikawa		D792,758	S	7/2017	Olayiwola	
6,971,572	B2	12/2005	Ikeda		D796,319	S	9/2017	Thompson	
7,000,803	B2	2/2006	Miller		D798,707	S	10/2017	Mayer	
7,007,836	B2	3/2006	Smalley		D800,552	S *	10/2017	Silverman	D9/430
7,070,045	B2	7/2006	Theelen		D805,893	S	12/2017	Shirosawa	
D538,643	S	3/2007	Babbino		D805,895	S *	12/2017	Smalley	D9/432
7,234,596	B2	6/2007	Lebras		D805,896	S *	12/2017	Smalley	B65D 71/36
7,237,674	B2	7/2007	Auclair						D9/432
D549,575	S	8/2007	Pinkstone		D805,898	S *	12/2017	Holley, Jr.	D9/433
D553,496	S	10/2007	Martuch et al.		D811,874	S	3/2018	Bogdziewicz, III	
7,296,731	B2	11/2007	Auclair et al.		D812,469	S	3/2018	Thompson	
D558,047	S	12/2007	Pinkstone		D826,711	S *	8/2018	Boersma	B65D 5/0209
D558,572	S *	1/2008	Ande	D9/432					D9/432
7,374,038	B2	5/2008	Smalley		10,202,228	B2	2/2019	Boersma et al.	
7,380,701	B2	6/2008	Fogle et al.		10,214,333	B2 *	2/2019	Ball	B65D 71/36
7,416,109	B2	8/2008	Sutherland		D843,831	S *	3/2019	Poorman	D9/431
7,427,010	B2	9/2008	Sutherland		2002/0070139	A1	6/2002	Bates	
					2002/0088820	A1	7/2002	Spivey	
					2002/0088821	A1	7/2002	Spivey et al.	
					2003/0192905	A1	10/2003	Spivey	
					2003/0213263	A1	11/2003	Woog	

(56)

References Cited

U.S. PATENT DOCUMENTS

2004/0050917	A1	3/2004	Smalley
2004/0060972	A1	4/2004	Harrelson
2004/0074954	A1	4/2004	Fogle et al.
2004/0099558	A1	5/2004	Oliff et al.
2004/0164133	A1	8/2004	Harrelson
2004/0188277	A1	9/2004	Auclair
2004/0188300	A1	9/2004	Sutherland
2004/0256445	A1	12/2004	Merzeau
2004/0262374	A1	12/2004	Chargueraud
2005/0056658	A1	3/2005	Spivey
2005/0087592	A1	4/2005	Schuster
2005/0139645	A1	6/2005	Shean
2005/0167292	A1	8/2005	Sutherland
2005/0167476	A1	8/2005	Ikeda
2005/0167478	A1	8/2005	Holley, Jr.
2005/0178687	A1	8/2005	Spivey, Sr.
2005/0178791	A1	8/2005	Miller
2006/0000881	A1	1/2006	Sutherland
2006/0071058	A1	4/2006	Spivey, Sr.
2006/0108406	A1	5/2006	Stewart et al.
2006/0169755	A1	8/2006	Spivey, Sr.
2006/0254942	A1	11/2006	Cargile, Jr.
2006/0273143	A1	12/2006	Finch
2007/0039846	A1	2/2007	Spivey, Sr.
2007/0051781	A1	3/2007	Holley, Jr.
2007/0108261	A1	5/2007	Schuster
2007/0137222	A1	6/2007	Kastanek et al.
2007/0164091	A1	7/2007	Fogle et al.
2007/0181658	A1	8/2007	Sutherland
2007/0205255	A1	9/2007	Dunn
2007/0284424	A1	12/2007	Holley
2007/0295789	A1	12/2007	Ho Fung
2008/0083820	A1	4/2008	Walling et al.
2008/0099544	A1	5/2008	Skolik
2008/0119344	A1	5/2008	Sutherland et al.
2009/0236408	A1	9/2009	Spivey, Sr.
2009/0255983	A1	10/2009	De Paula et al.
2010/0108747	A1	5/2010	Brand
2010/0213249	A1	8/2010	Requena et al.
2010/0270367	A1	10/2010	Brandenburger
2011/0095075	A1	4/2011	Pinkstone
2012/0279897	A1	11/2012	Schmal et al.
2013/0214036	A1	8/2013	Spivey, Sr. et al.
2013/0220873	A1	8/2013	Holley, Jr.
2013/0284628	A1	10/2013	Moncrief et al.
2014/0260095	A1	9/2014	Oliveira
2014/0305826	A1	10/2014	Holley, Jr.
2015/0001116	A1	1/2015	Schmal et al.
2015/0151888	A1	6/2015	Fitzwater et al.
2017/0101240	A1	4/2017	Boersma
2017/0233132	A1	8/2017	Smalley
2017/0253366	A1	9/2017	James

FOREIGN PATENT DOCUMENTS

CA	2 160 145	9/1995
CA	118620	12/2007
CA	122012	7/2008
CA	126100	12/2008
CA	129892	12/2009
CA	131063	3/2010
CA	131481	3/2010
CA	132220	5/2010
CA	133757	9/2010
CA	136756	9/2010
CA	166826	10/2016
CA	169768	3/2017
CA	171618	7/2017
DE	1 192 099 B	4/1965
DE	85 14 718.4	6/1985
DE	93 20 302	5/1994
DE	295 04 256 U1	5/1995
DE	296 07 374	4/1996
DE	201 12 228	11/2002
DE	20 2004 018 649	4/2005

EP	0 341 089	11/1989
EP	0 412 226	2/1991
EP	0 473 266	3/1992
EP	0 475 147 A1	3/1992
EP	1 260 448 A1	11/2002
EP	1 262 417 A2	12/2002
EP	1 518 792	3/2005
EP	1 612 157	1/2006
EP	1 661 813 A1	5/2006
FR	1 494 239	9/1967
FR	2.163.317	7/1973
FR	2 163 317 A1	7/1973
FR	2 549 010 A1	1/1985
FR	2 579 175	9/1986
FR	2 581 970 A1	11/1986
GB	1 317 667	5/1973
JP	06-32320	4/1994
JP	8-503187	4/1996
JP	2005-507831	3/2005
KR	20-0356729	7/2004
WO	WO 94/10047	5/1994
WO	WO 96/27538	9/1996
WO	WO 96/29260 A1	9/1996
WO	WO 98/39220 A1	9/1998
WO	WO 99/28207	6/1999
WO	WO 99/64301 A1	12/1999
WO	WO 00/78618	12/2000
WO	WO 01/66434	9/2001
WO	WO 02/30785 A1	4/2002
WO	WO 03/037742	5/2003
WO	WO 03/082686 A1	10/2003
WO	WO 2004/043790 A2	5/2004
WO	WO 2005/080218	9/2005
WO	WO 2005/123532	12/2005
WO	WO 2007/089282	8/2007
WO	WO 2010/014438	2/2010
WO	WO 2013/177072 A1	11/2013
WO	WO 2014/186259 A1	11/2014
WO	WO 2016/069534 A1	5/2016
WO	WO 2016/099969 A1	6/2016

OTHER PUBLICATIONS

European Search Report for EP 16 19 3052 dated Jan. 30, 2017.

Graphic Packaging. Rounded Corner fridge pack. 2015 [earliest online date], [site visited Aug. 9, 2017]. Available from Internet, <URL:https://www.graphicpkgeurope.com/beverage/product-lines/fully-enclosed-carton-fec/>.

Deline Box and Display. Produce Packaging. 2017 [earliest online date], [site visited Aug. 9, 2017]. Available from Internet, <URL:http://www.delinebox.com/success-stories/produce>.

Office Action for U.S. Appl. No. 29/582,962, dated Sep. 21, 2017.

Amendment A and Response to Office Action for U.S. Appl. No. 29/582,962, dated Oct. 26, 2017.

European Search Report for EP 17 19 6117 dated Jan. 9, 2018.

Office Action for CA 173288 dated Mar. 20, 2018.

Office Action for CA 178318 dated Mar. 20, 2018.

Office Action for CA 178319 dated Mar. 20, 2018.

Office Action for CA 178320 dated Mar. 20, 2018.

Office Action for U.S. Appl. No. 29/582,962, dated Nov. 16, 2017.

Amendment B and Response to Office Action for U.S. Appl. No. 29/582,962, dated Jan. 8, 2018.

Office Action for U.S. Appl. No. 29/582,962, dated Jan. 29, 2018.

Amendment C and Response to Final Office Action for U.S. Appl. No. 29/582,962, dated Apr. 18, 2018.

Notice of Allowance and Fee(s) Due for U.S. Appl. No. 29/582,962, dated May 17, 2018.

Issue Fee Transmittal Form for U.S. Appl. No. 29/582,962, dated Jul. 23, 2018.

Issue Notification for U.S. Appl. No. 29/582,962, dated Aug. 8, 2018.

Office Action for U.S. Appl. No. 29/624,288, dated Apr. 16, 2019.

(56)

References Cited

OTHER PUBLICATIONS

Amendment A and Response to Office Action for U.S. Appl. No.
29/624,288, dated May 24, 2019.

* cited by examiner

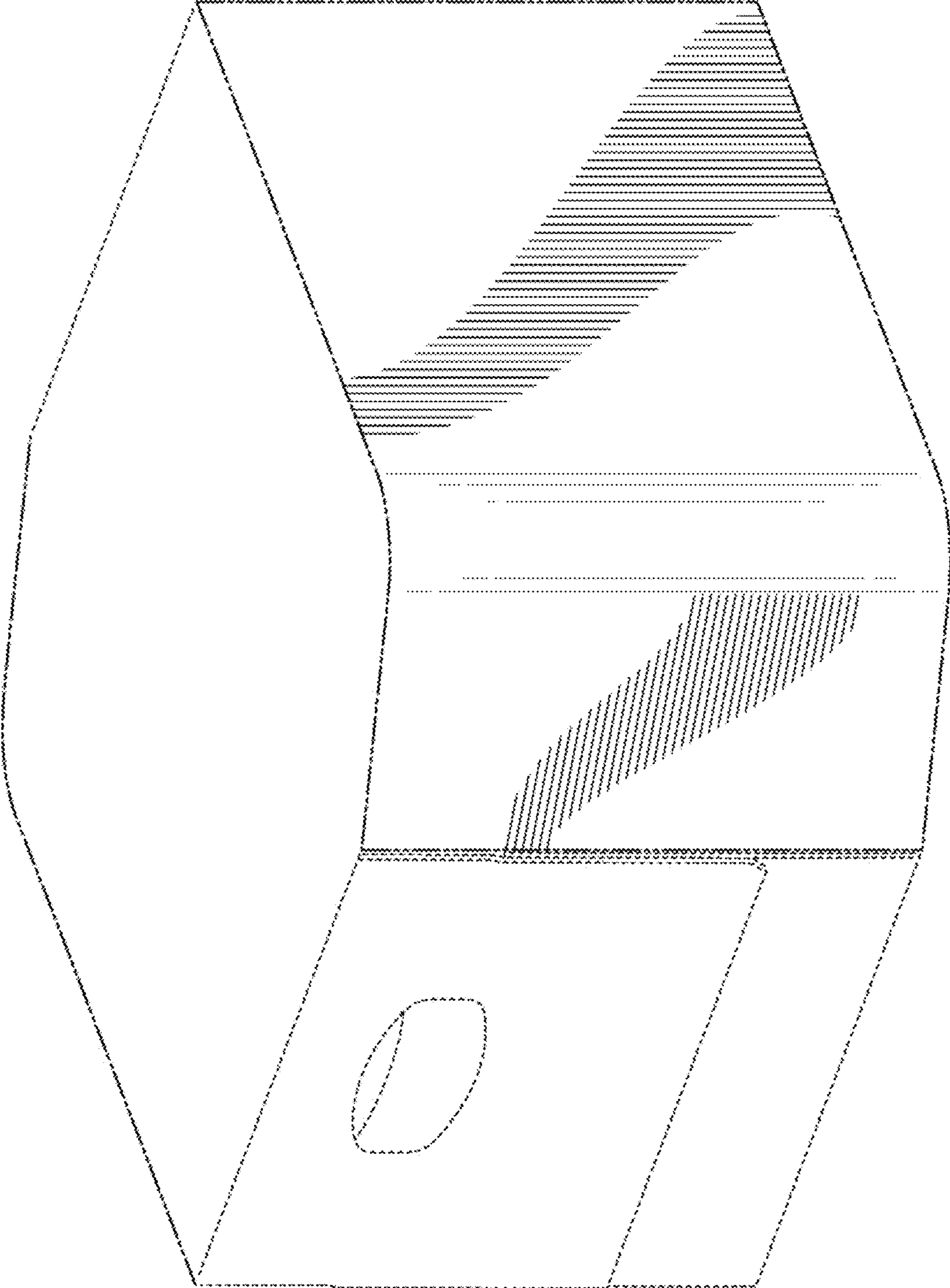


FIG. 1

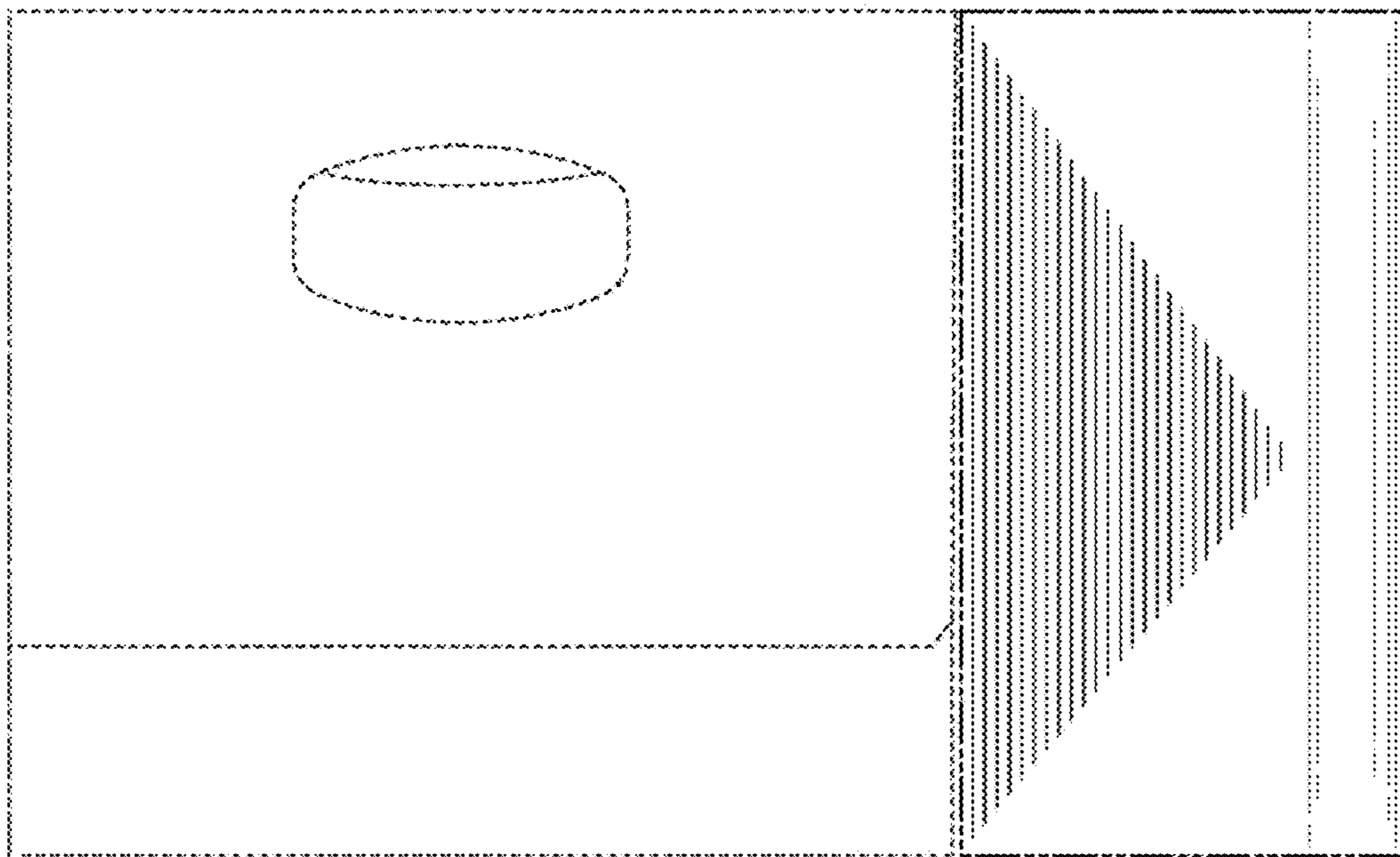


FIG. 2

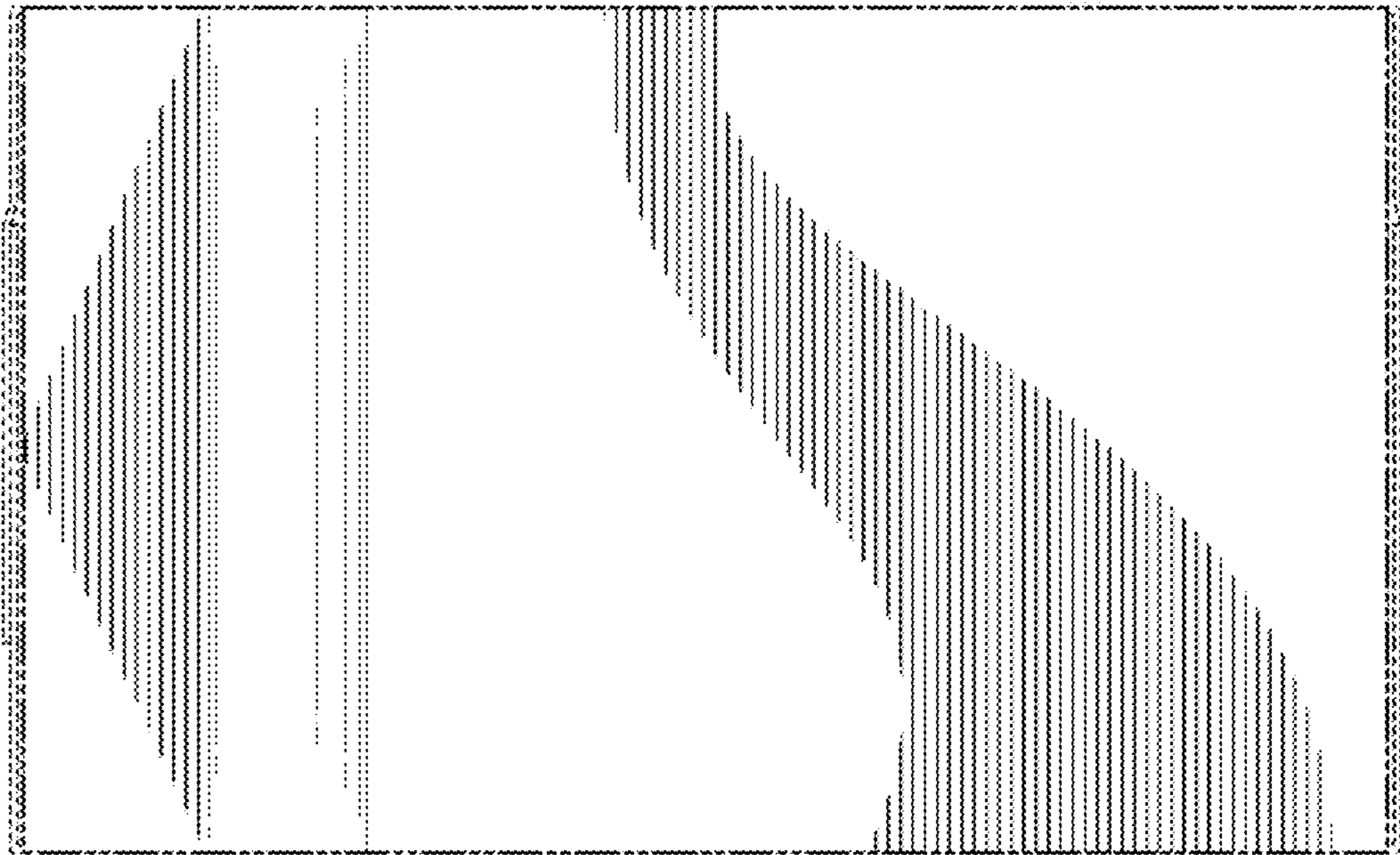


FIG. 3

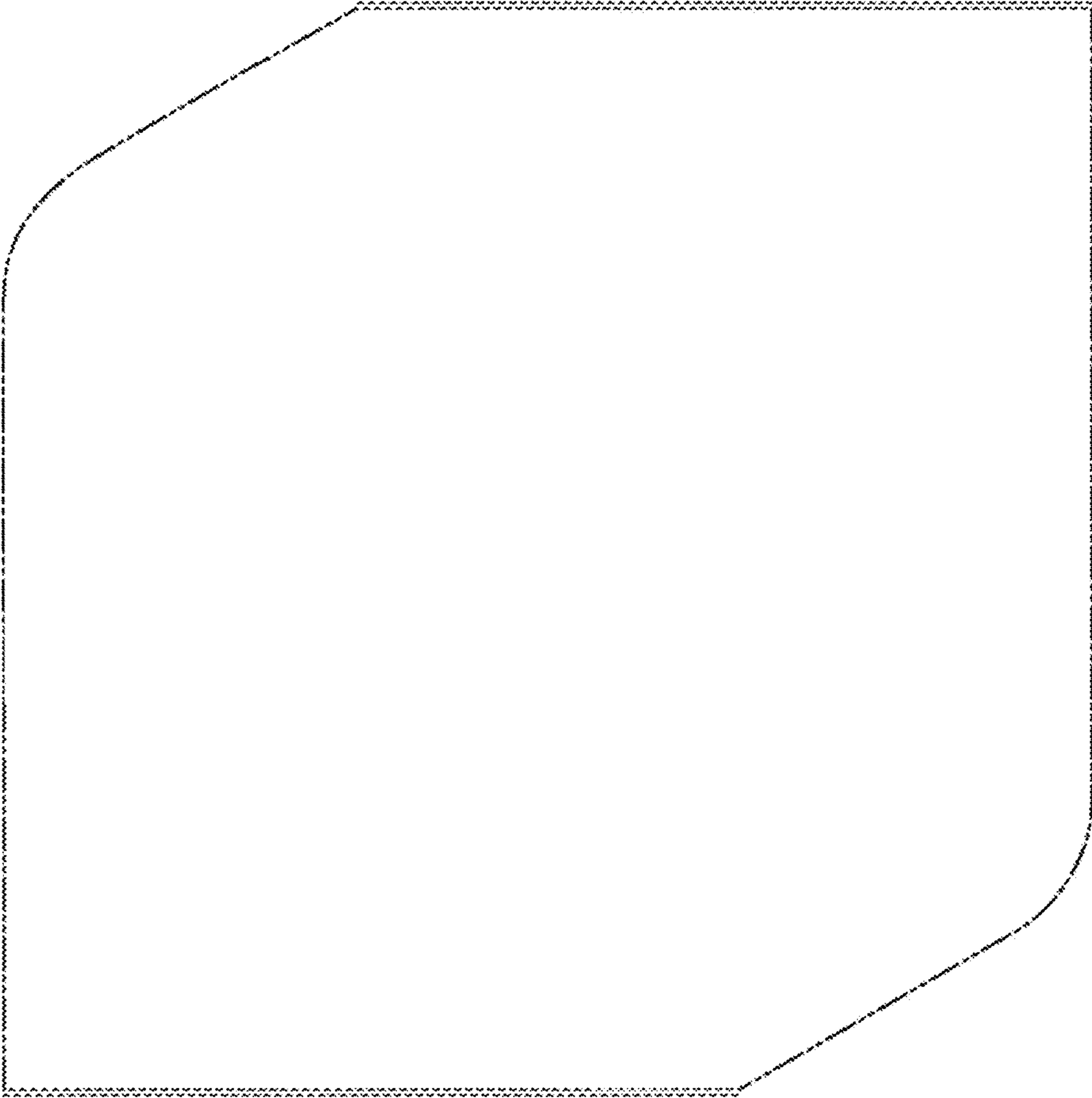


FIG. 4