



US00D887830S

(12) **United States Design Patent**  
**Kirchen**

(10) **Patent No.:** **US D887,830 S**

(45) **Date of Patent:** **\*\* Jun. 23, 2020**

(54) **PACKAGING**

(71) Applicant: **SIG Technology AG**, Neuhausen am Rheinfall (CH)

(72) Inventor: **Tim Kirchen**, Media, PA (US)

(73) Assignee: **SIG Technology AG**, Neuhausen am Rheinfall (CH)

(\*\*) Term: **15 Years**

(21) Appl. No.: **29/650,036**

(22) Filed: **Jun. 4, 2018**

(30) **Foreign Application Priority Data**

Apr. 17, 2018 (EM) ..... 005237443

(51) **LOC (12) Cl.** ..... **09-03**

(52) **U.S. Cl.**  
USPC ..... **D9/431; D9/414**

(58) **Field of Classification Search**  
USPC ..... D9/414-423, 430-433, 454, 456, 457,  
D9/711, 713, 721-722; D20/10, 22, 27,  
D20/40, 42

(Continued)

(56) **References Cited**

**U.S. PATENT DOCUMENTS**

2,811,250 A \* 10/1957 Arneson ..... B65D 71/16  
206/142  
2,872,036 A \* 2/1959 Forrer ..... B65D 71/20  
206/140

(Continued)

**OTHER PUBLICATIONS**

Finland Design Publication, Oct. 15, 1997, vol. 10, p. 32, Patent Office Design Section Public Material No. P32, HH10061346.

(Continued)

*Primary Examiner* — Vy N Koenig

(74) *Attorney, Agent, or Firm* — The Webb Law Firm

(57) **CLAIM**

The ornamental design for packaging, as shown and described.

**DESCRIPTION**

FIG. 1 is an upper perspective view of packaging showing my new design in accordance with a first embodiment of the invention;

FIG. 2 is a front elevation view thereof;

FIG. 3 is a rear elevation view thereof;

FIG. 4 is a right side elevation view thereof;

FIG. 5 is a left side elevation view thereof;

FIG. 6 is a top view thereof;

FIG. 7 is a bottom view thereof;

FIG. 8 is an upper perspective view of packaging showing my new design in accordance with a second embodiment of the invention;

FIG. 9 is a front elevation view thereof;

FIG. 10 is a rear elevation view thereof;

FIG. 11 is a left side elevation view thereof;

FIG. 12 is a right side elevation view thereof;

FIG. 13 is a top view thereof;

FIG. 14 is a bottom view thereof;

FIG. 15 is an upper perspective view of packaging showing my new design in accordance with a third embodiment of the invention;

FIG. 16 is a front elevation view thereof;

FIG. 17 is a rear elevation view thereof;

FIG. 18 is a left side elevation view thereof;

FIG. 19 is a right side elevation view thereof;

FIG. 20 is a top view thereof;

FIG. 21 is a bottom view thereof;

FIG. 22 is an upper perspective view of packaging showing my new design in accordance with a fourth embodiment of the invention;

FIG. 23 is a front elevation view thereof;

FIG. 24 is a rear elevation view thereof;

FIG. 25 is a left side elevation view thereof;

FIG. 26 is a right side elevation view thereof;

FIG. 27 is a top view thereof;

FIG. 28 is a bottom view thereof;

(Continued)

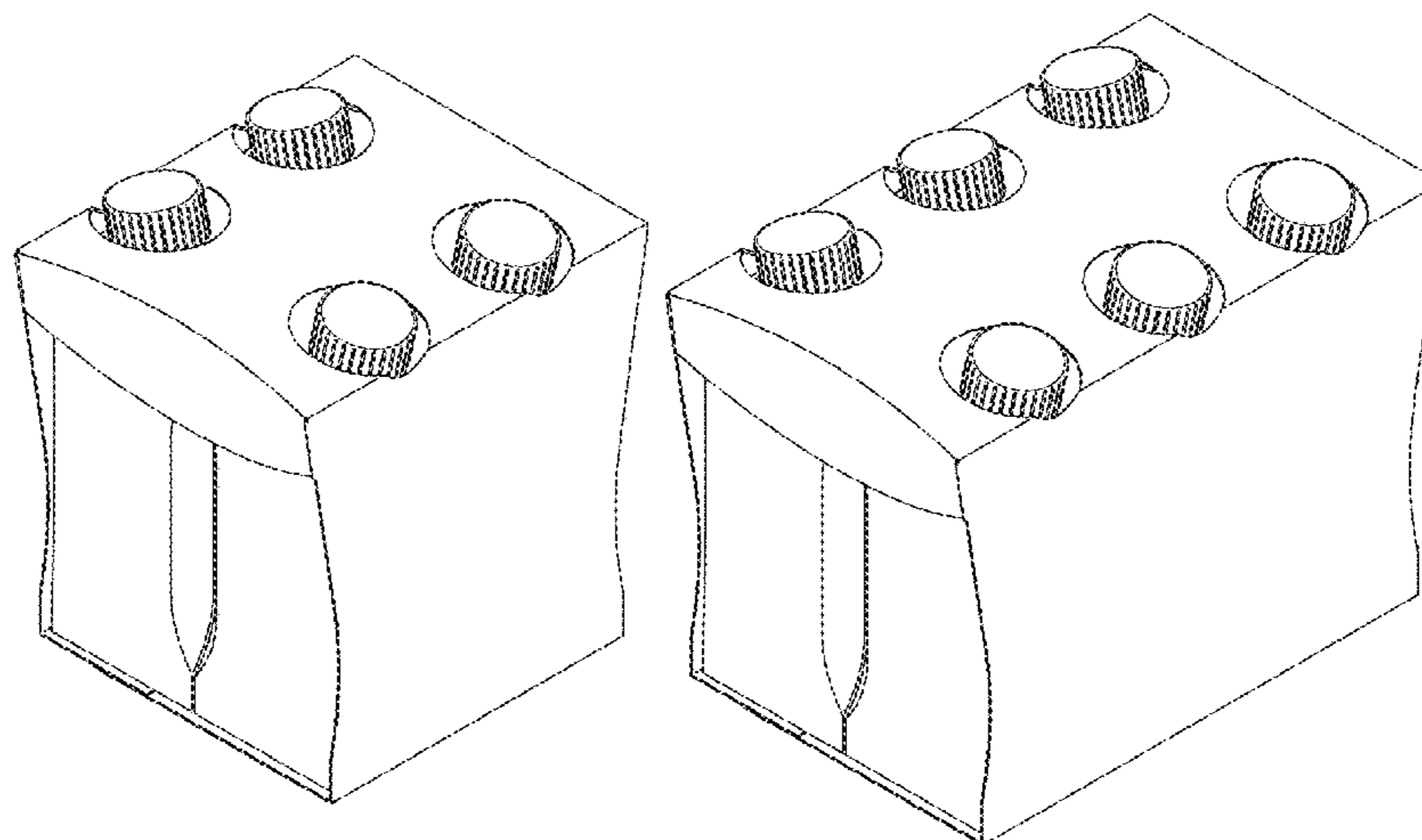


FIG. 29 is an upper perspective view of packaging showing my new design in accordance with a fifth embodiment of the invention;  
 FIG. 30 is a front elevation view thereof;  
 FIG. 31 is a rear elevation view thereof;  
 FIG. 32 is a left side elevation view thereof;  
 FIG. 33 is a right side elevation view thereof;  
 FIG. 34 is a top view thereof;  
 FIG. 35 is a bottom view thereof;  
 FIG. 36 is an upper perspective view of packaging showing my new design in accordance with a sixth embodiment of the invention;  
 FIG. 37 is a front elevation view thereof;  
 FIG. 38 is a rear elevation view thereof;  
 FIG. 39 is a left side elevation view thereof;  
 FIG. 40 is a right side elevation view thereof;  
 FIG. 41 is a top view thereof; and,  
 FIG. 42 is a bottom view thereof.

**1 Claim, 42 Drawing Sheets**

(58) **Field of Classification Search**

CPC ... B65D 5/00; B65D 5/02; B65D 5/18; B65D 5/20

See application file for complete search history.

(56) **References Cited**

U.S. PATENT DOCUMENTS

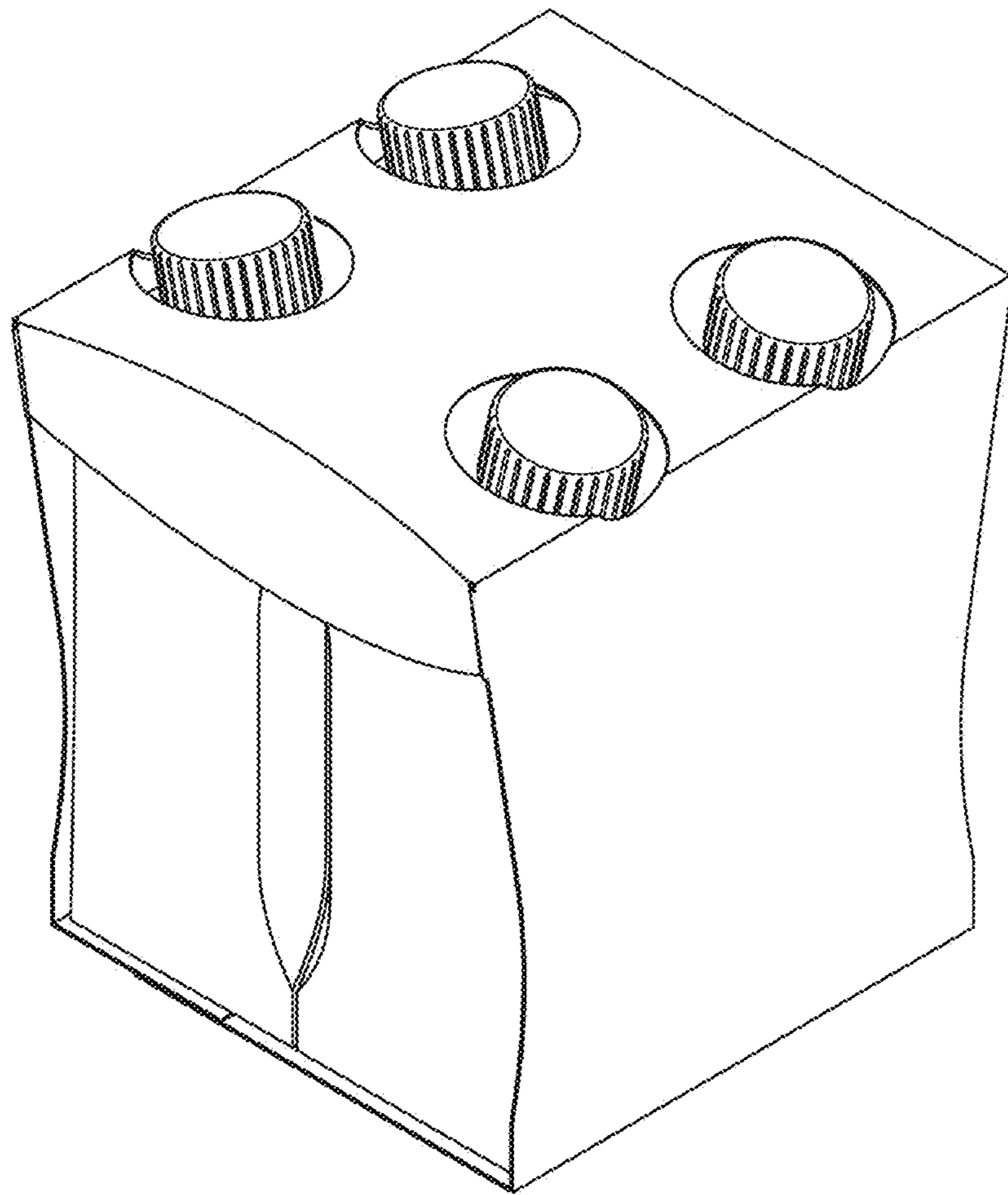
2,922,561	A *	1/1960	Currivan .....	B65D 71/16 206/149
3,156,404	A *	11/1964	Wood .....	B65D 71/18 206/148
3,229,892	A *	1/1966	Weiss .....	B65D 71/20 206/152

3,252,649	A *	5/1966	Graser .....	B65D 71/36 206/140
3,257,066	A *	6/1966	Williams .....	B65D 71/16 206/155
3,278,075	A *	10/1966	Weiss .....	B65D 71/16 206/152
3,292,843	A *	12/1966	Chidsey, Jr. ....	B65D 71/18 206/149
3,339,723	A *	9/1967	Wood .....	B65D 71/12 206/196
3,355,012	A *	11/1967	Weiss .....	B65D 5/48036 206/194
3,367,557	A *	2/1968	Farquhar .....	B65D 71/16 206/140
3,375,968	A *	4/1968	Weiss .....	B65D 71/16 206/139
3,381,881	A *	5/1968	Ganz .....	B65D 71/18 206/140
3,429,496	A *	2/1969	Hickin .....	B65D 71/16 206/140
3,462,011	A *	8/1969	Farquhar .....	B65D 71/20 206/140
3,517,876	A *	6/1970	Stout .....	B65D 71/16 206/149
5,520,283	A *	5/1996	Sutherland .....	B65D 71/20 206/434
5,690,275	A *	11/1997	Bose .....	B65D 5/4295 220/676
D395,007	S *	6/1998	Miller .....	D9/431
D395,601	S *	6/1998	Miller .....	D9/431
D415,423	S *	10/1999	Miller .....	D9/431
D702,117	S *	4/2014	Dagnino .....	D9/417
D842,089	S *	3/2019	Nuamu .....	D9/414

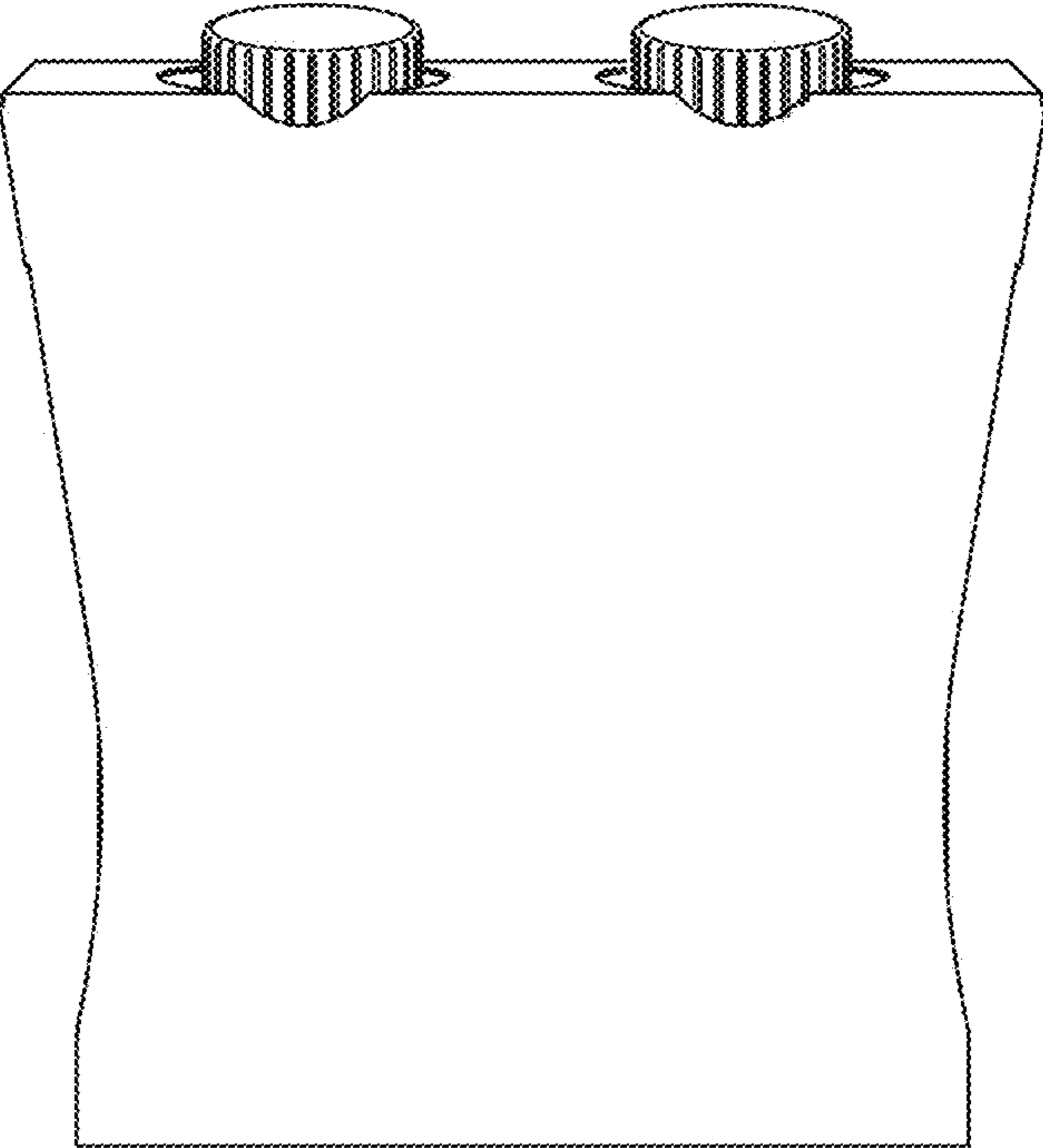
OTHER PUBLICATIONS

Prepared Foods, Publication dated Mar. 2005 Entitled "Progressive Protein Practices"; No. 03, vol. 174, p. 60; Patent Office Design Section Public Material No. P60, HB17005491.

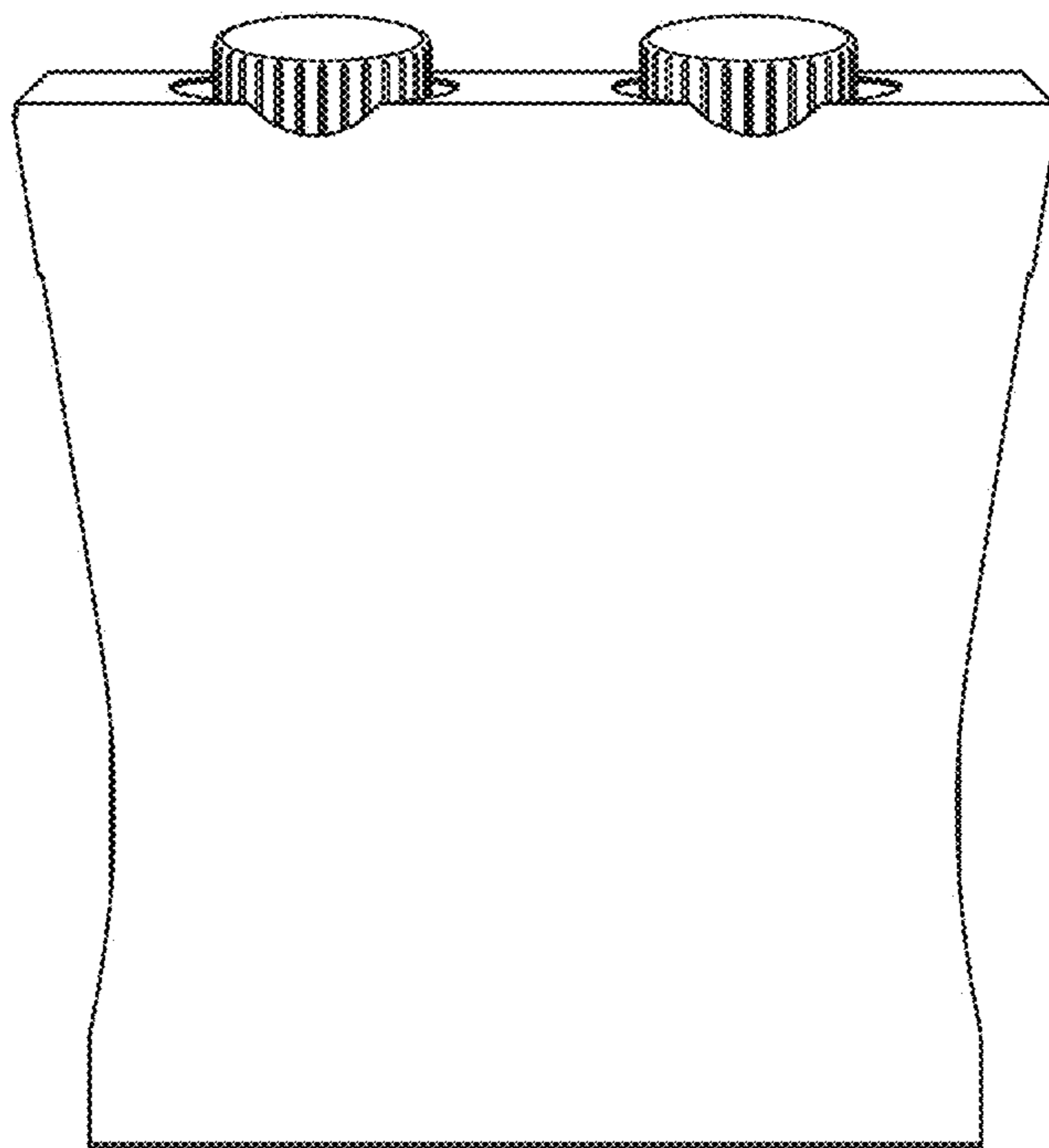
\* cited by examiner



**FIG. 1**



**FIG. 2**



**FIG. 3**

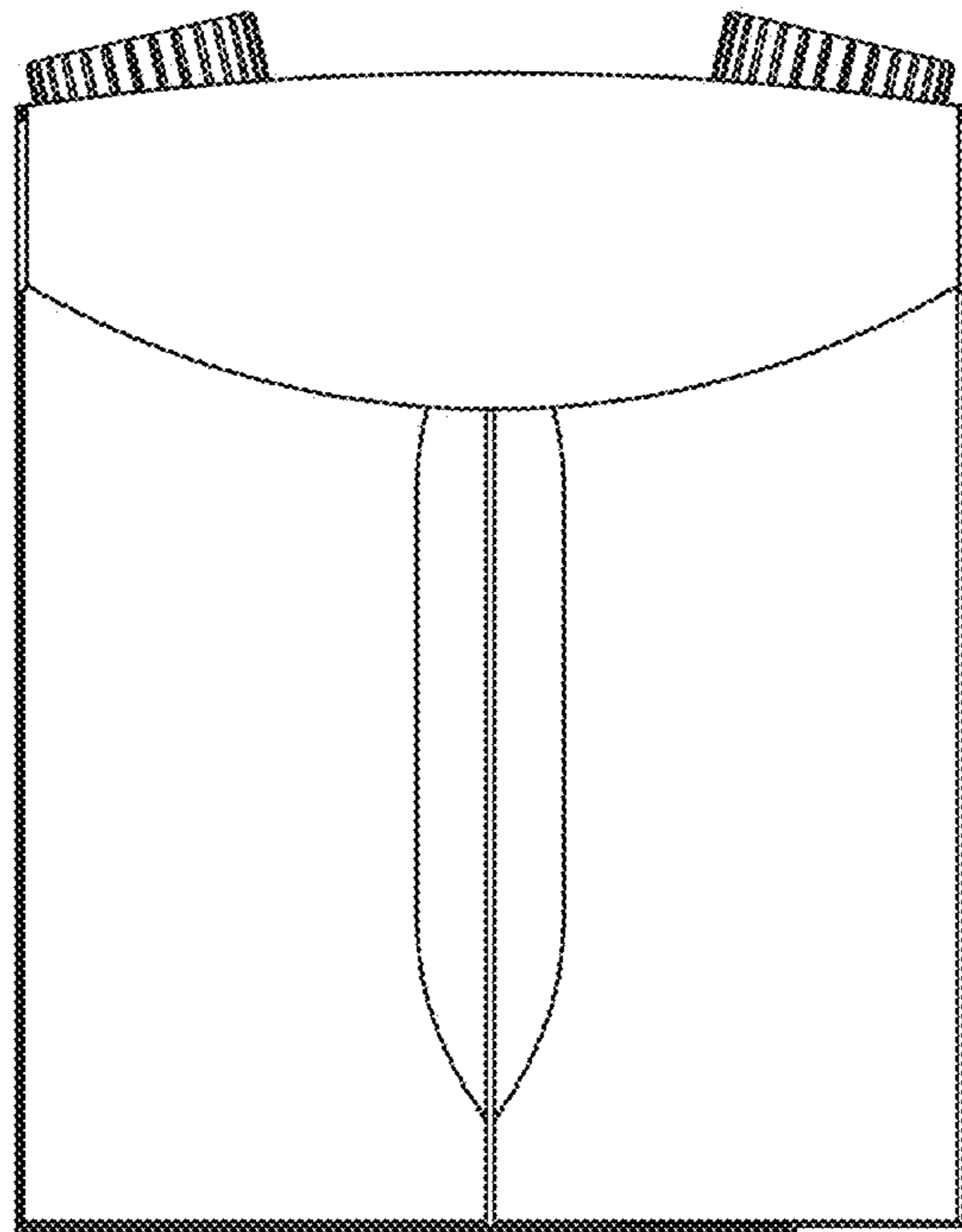


FIG. 4

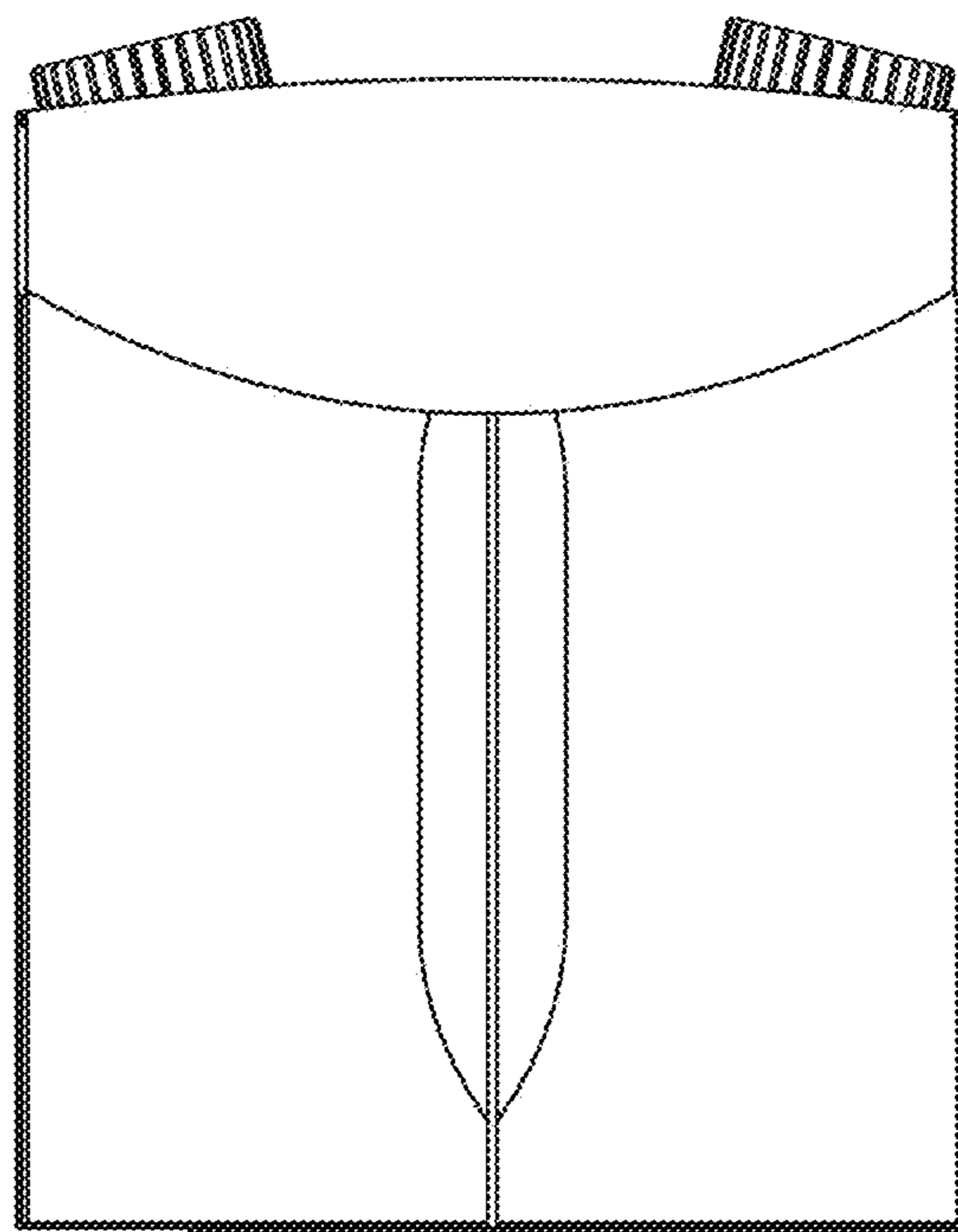
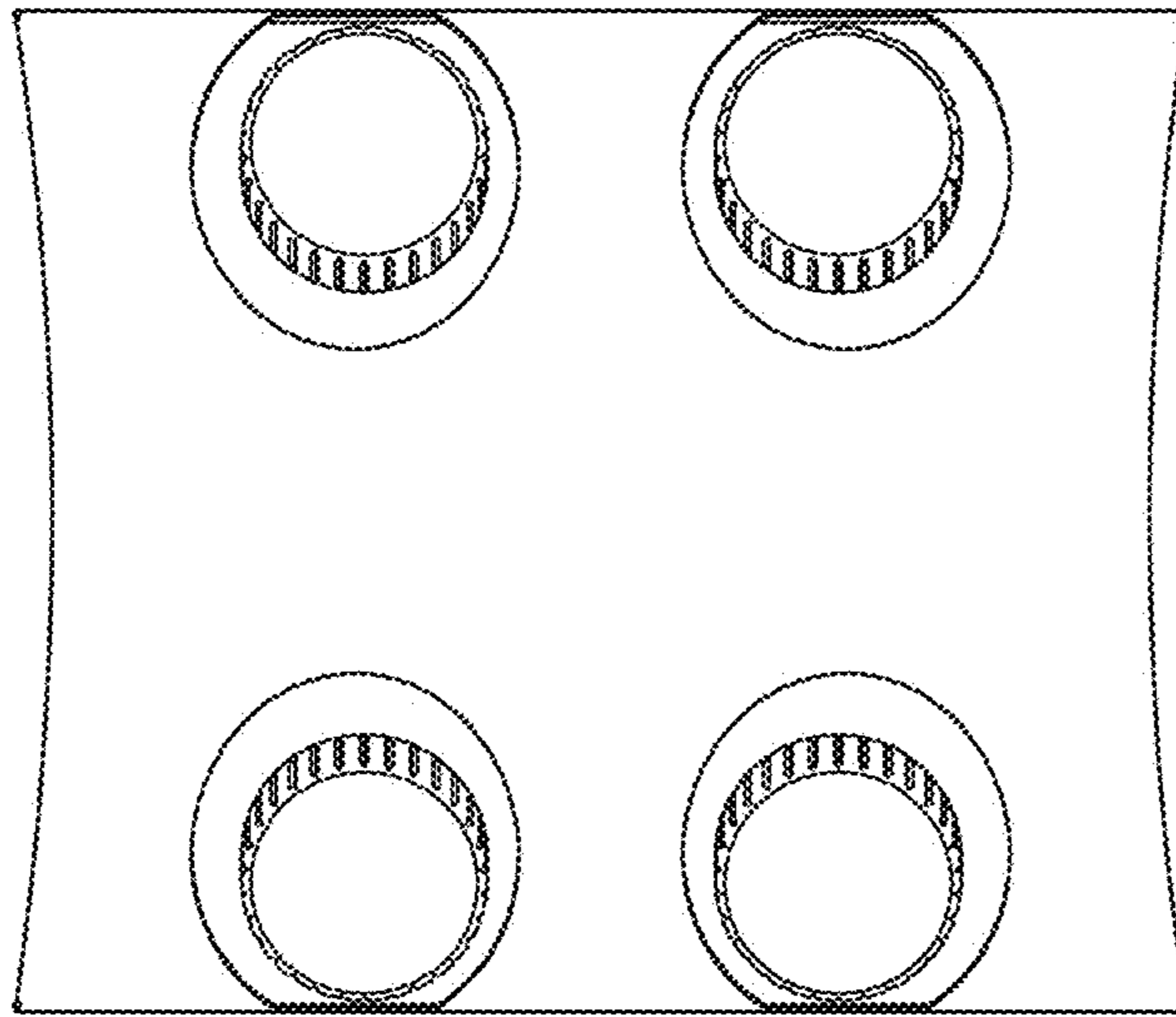
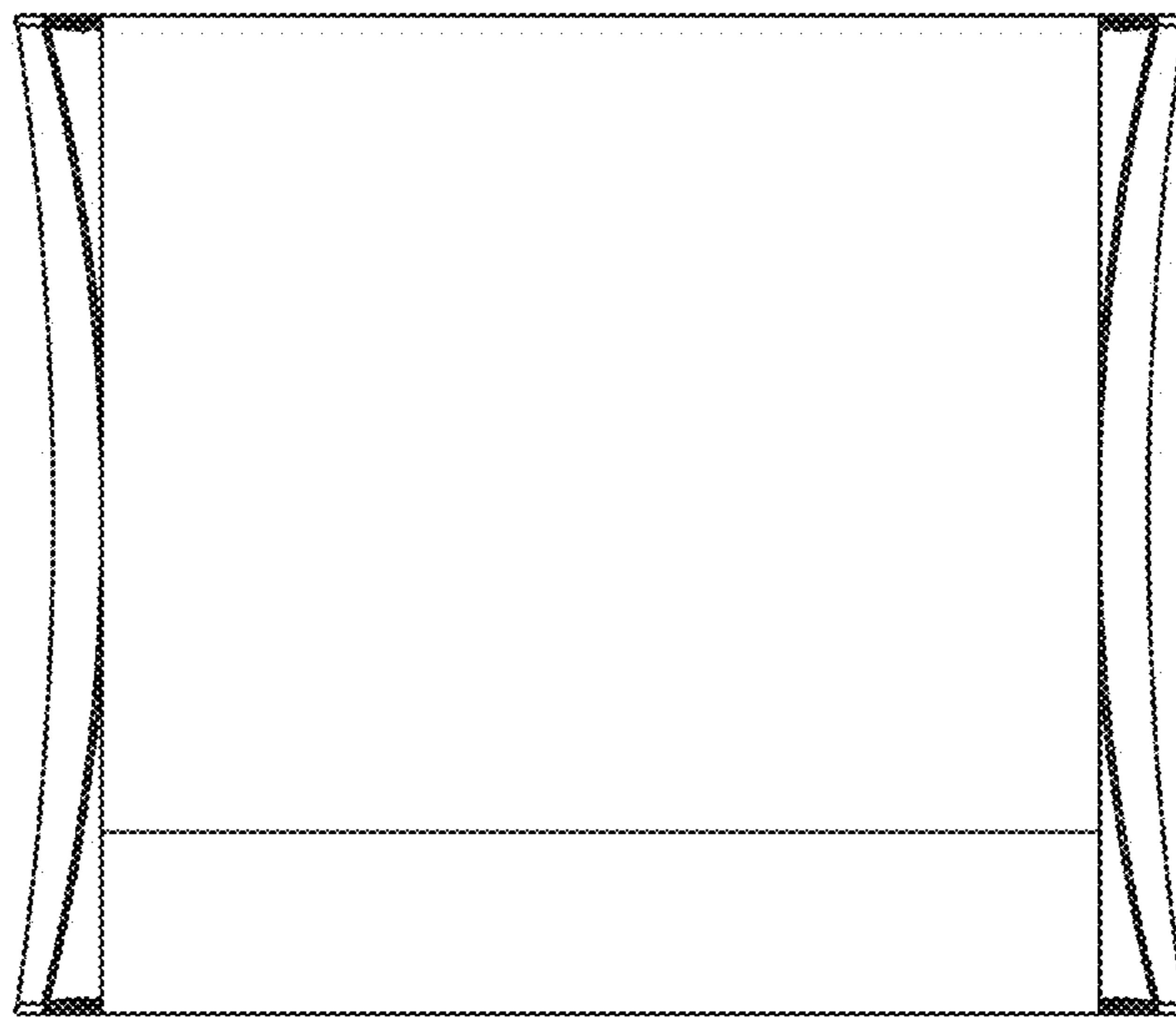


FIG. 5



**FIG. 6**





**FIG. 7**

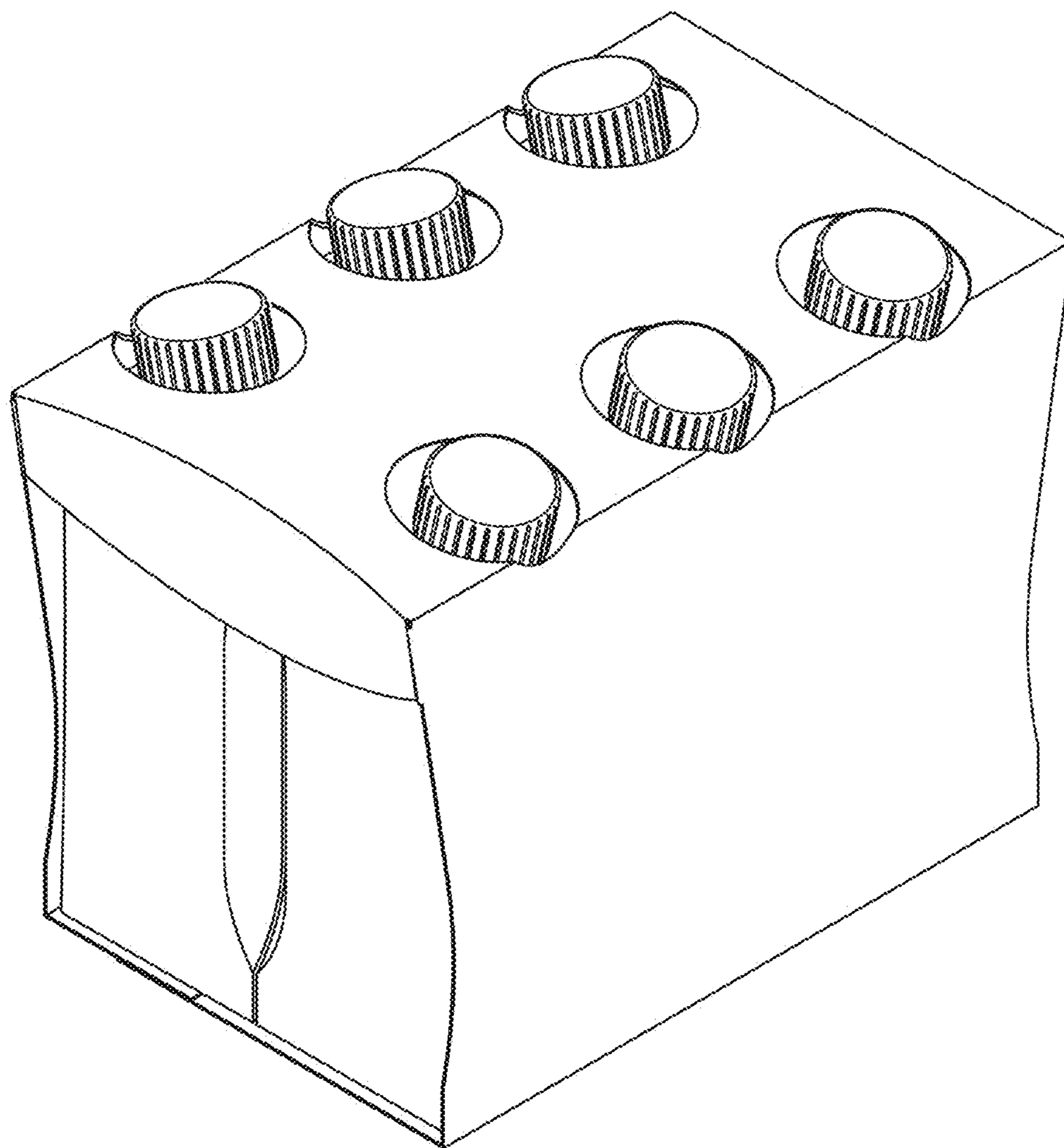


FIG. 8

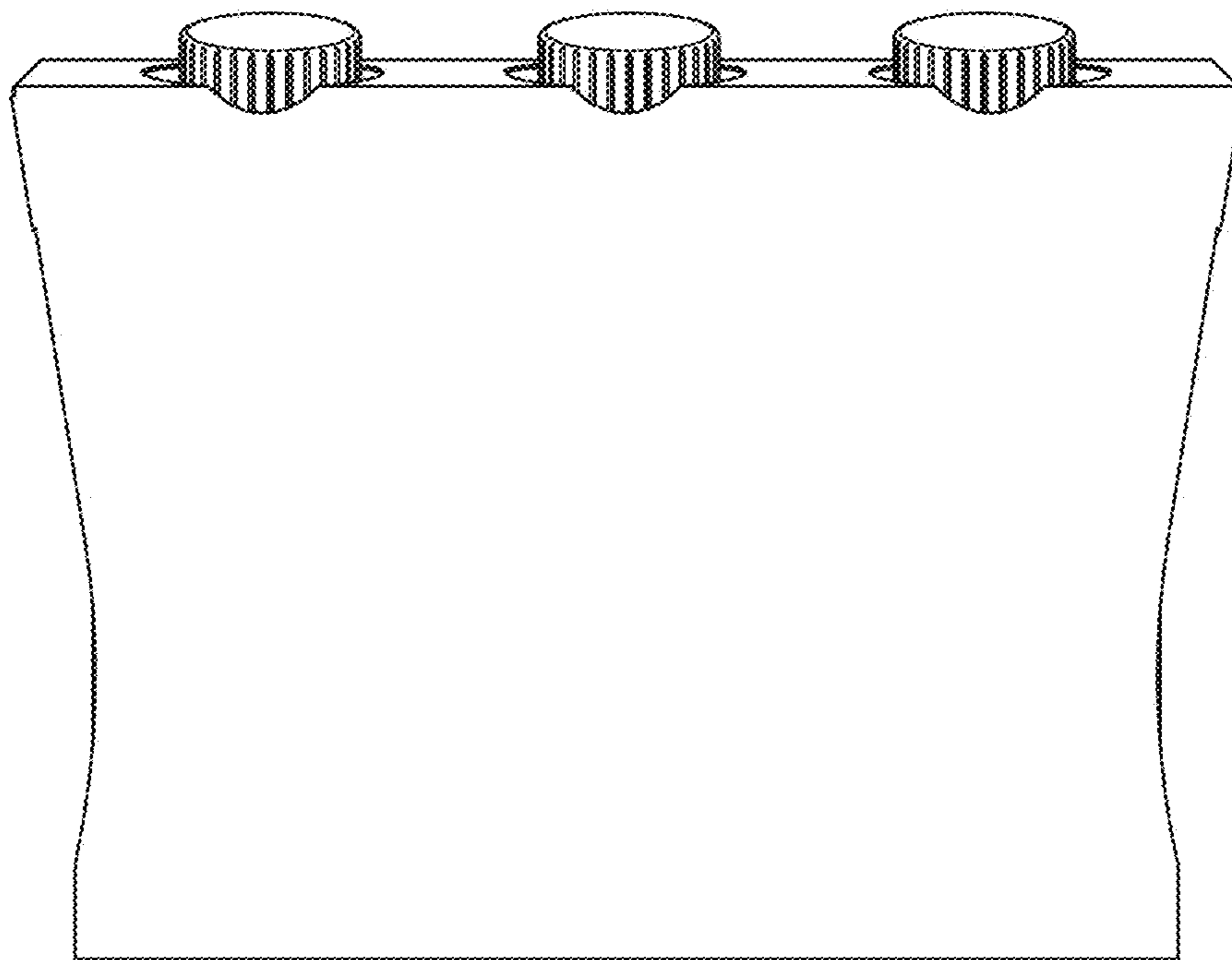


FIG. 9

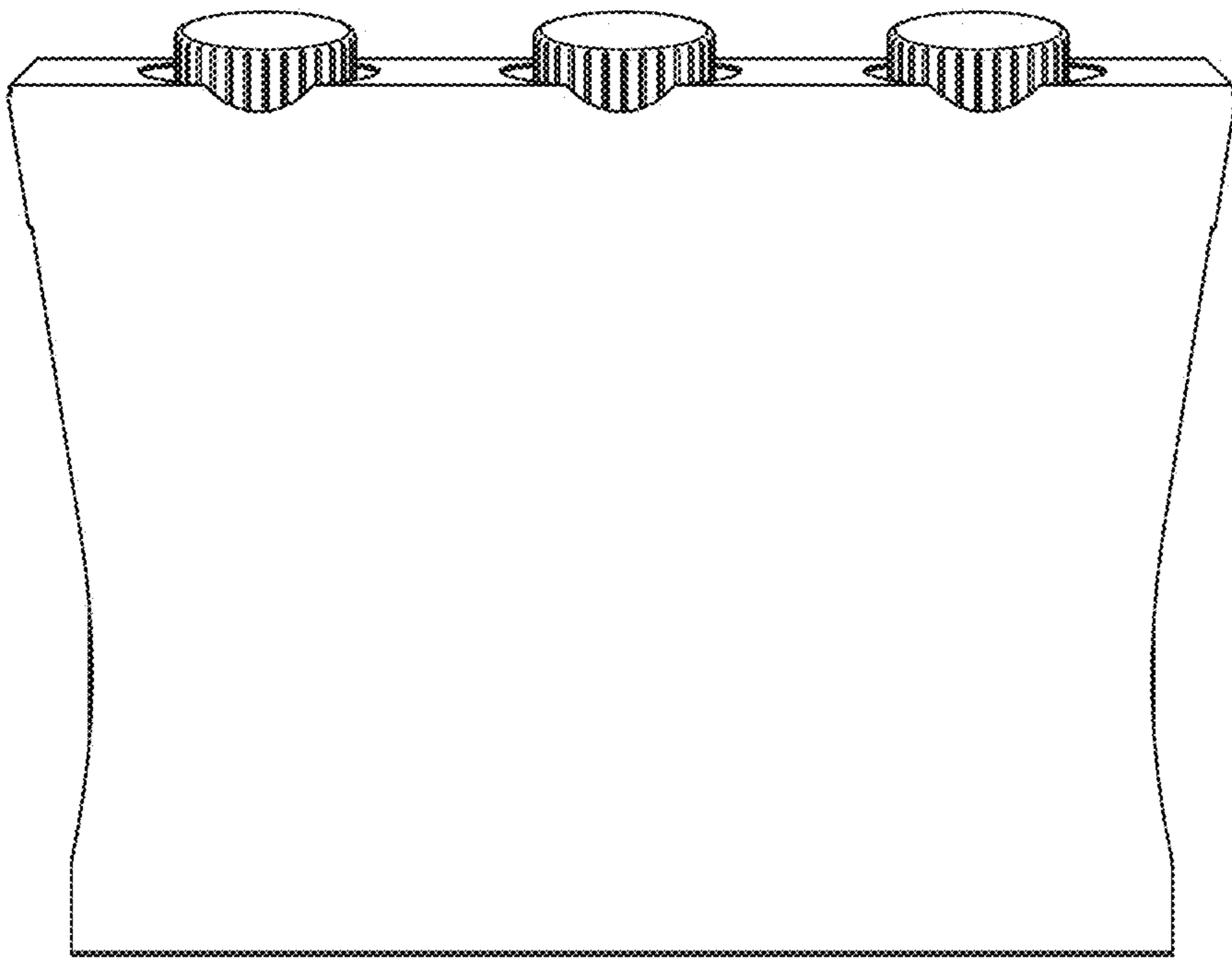


FIG. 10

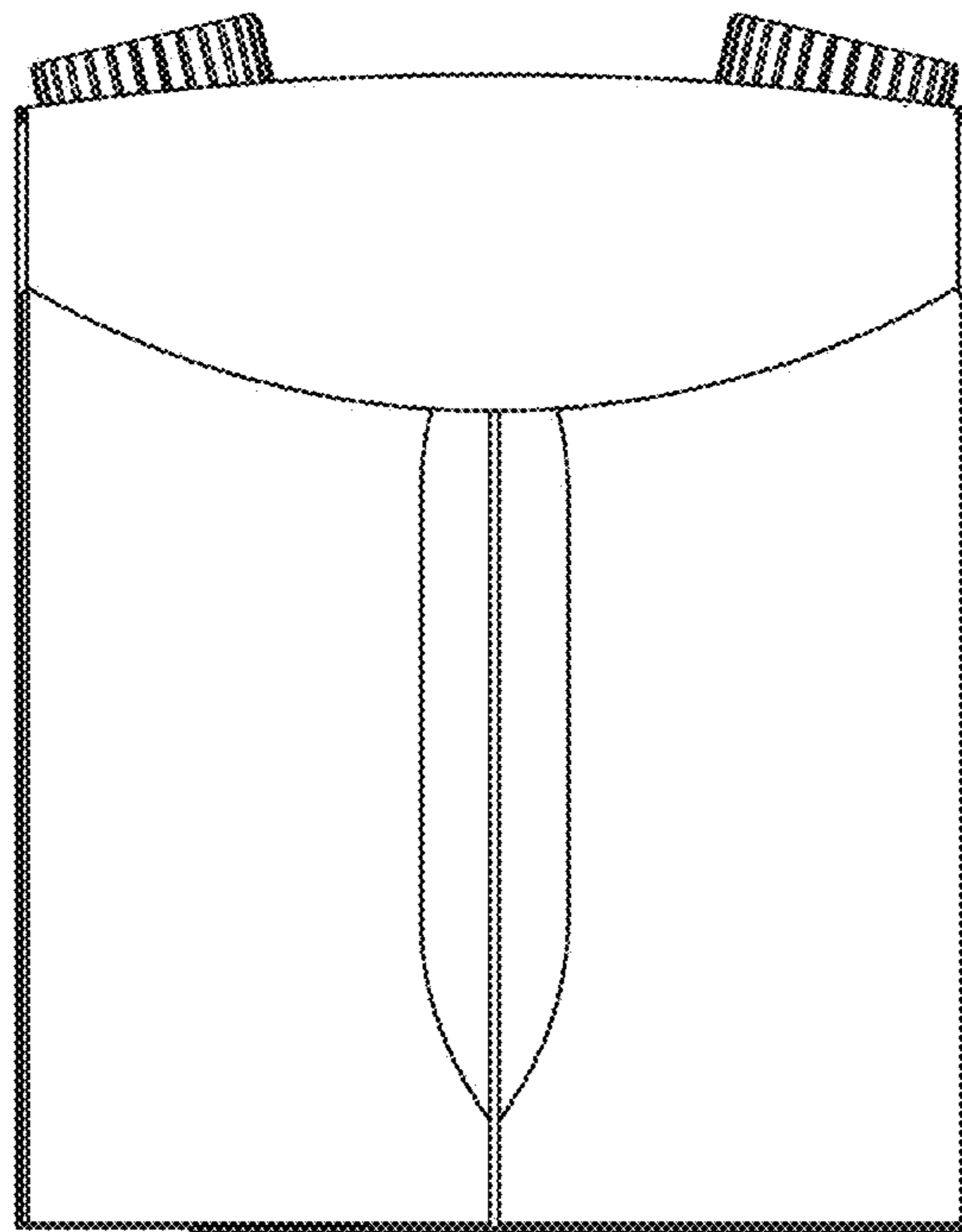


FIG. 11

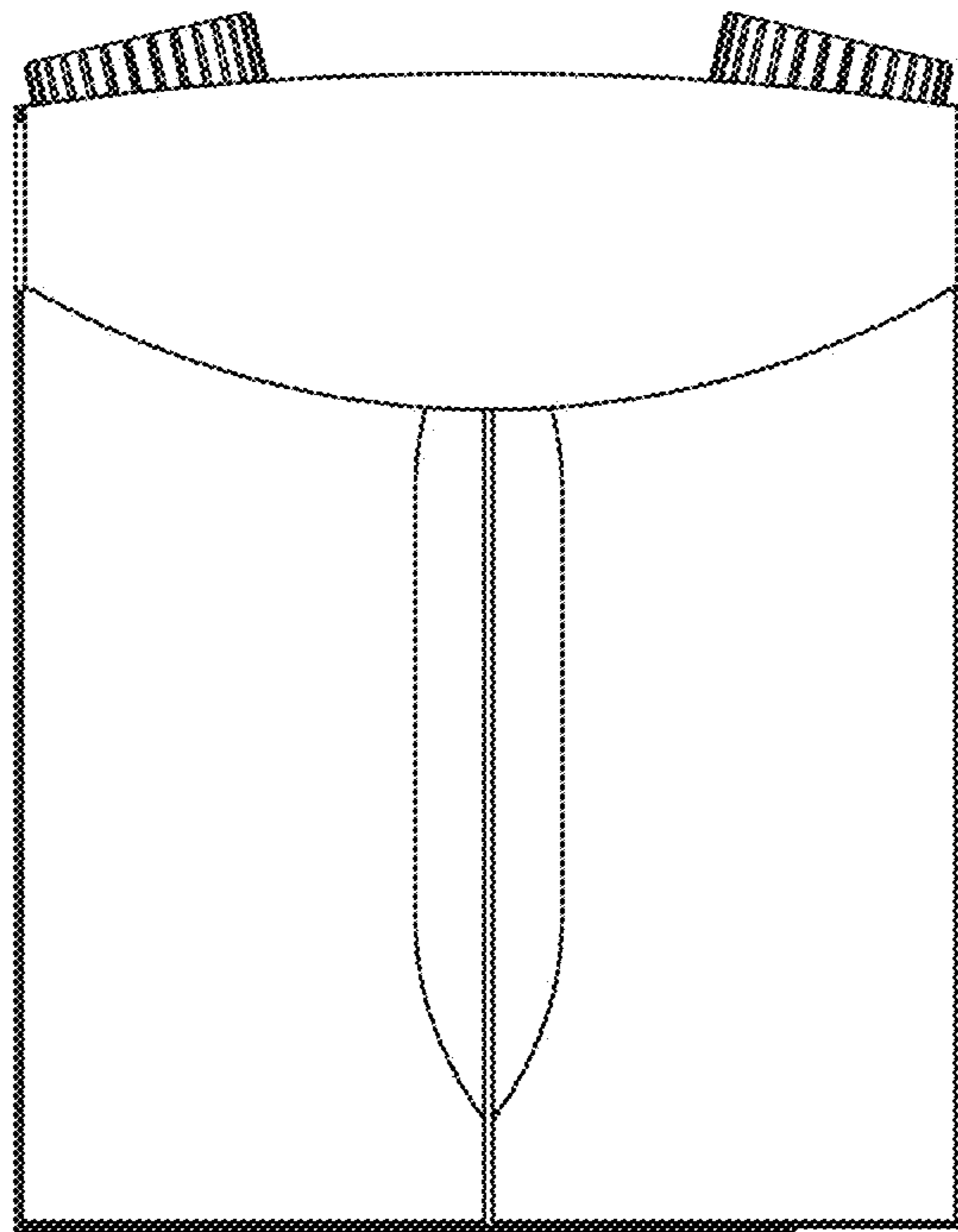


FIG. 12

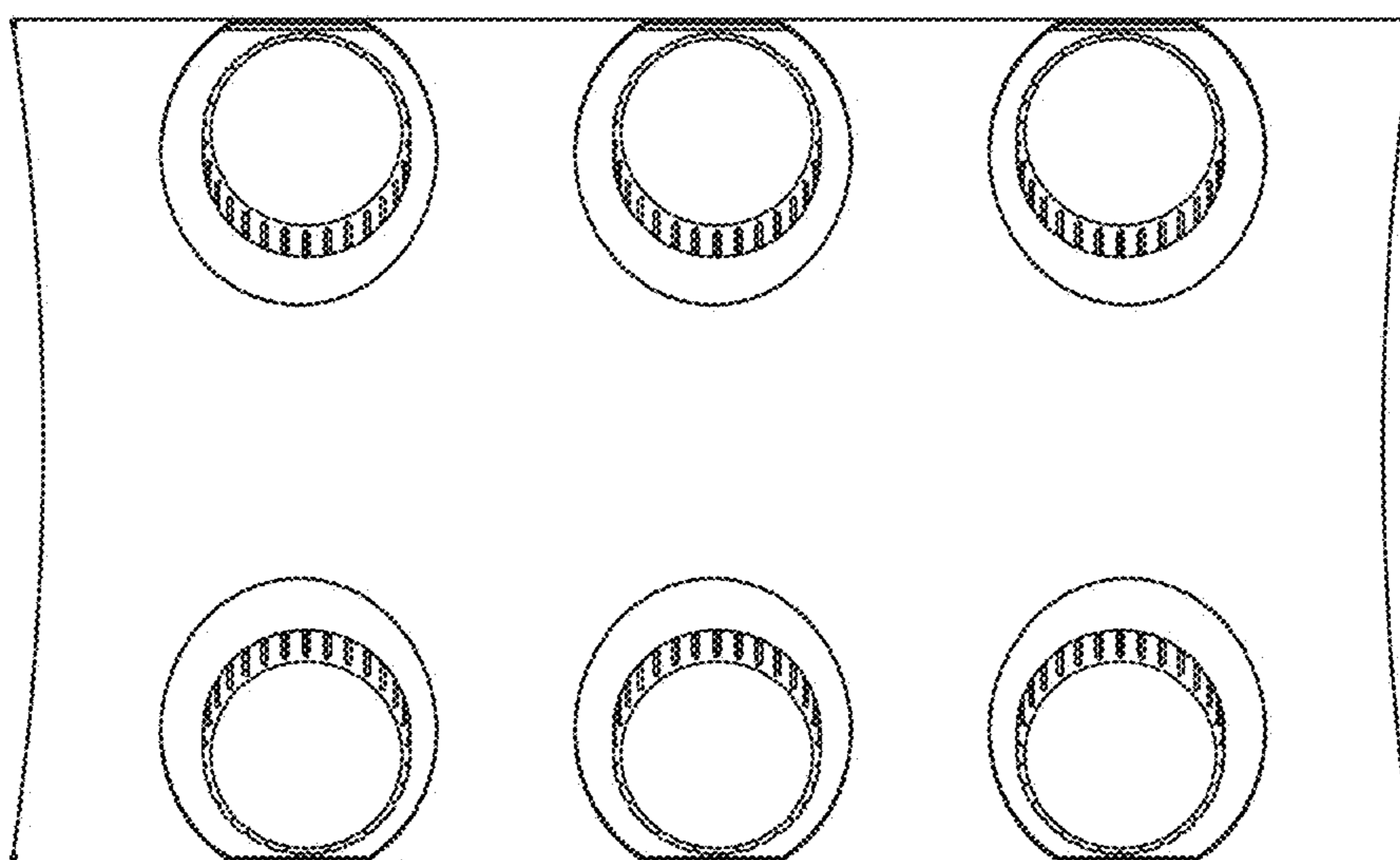


FIG. 13

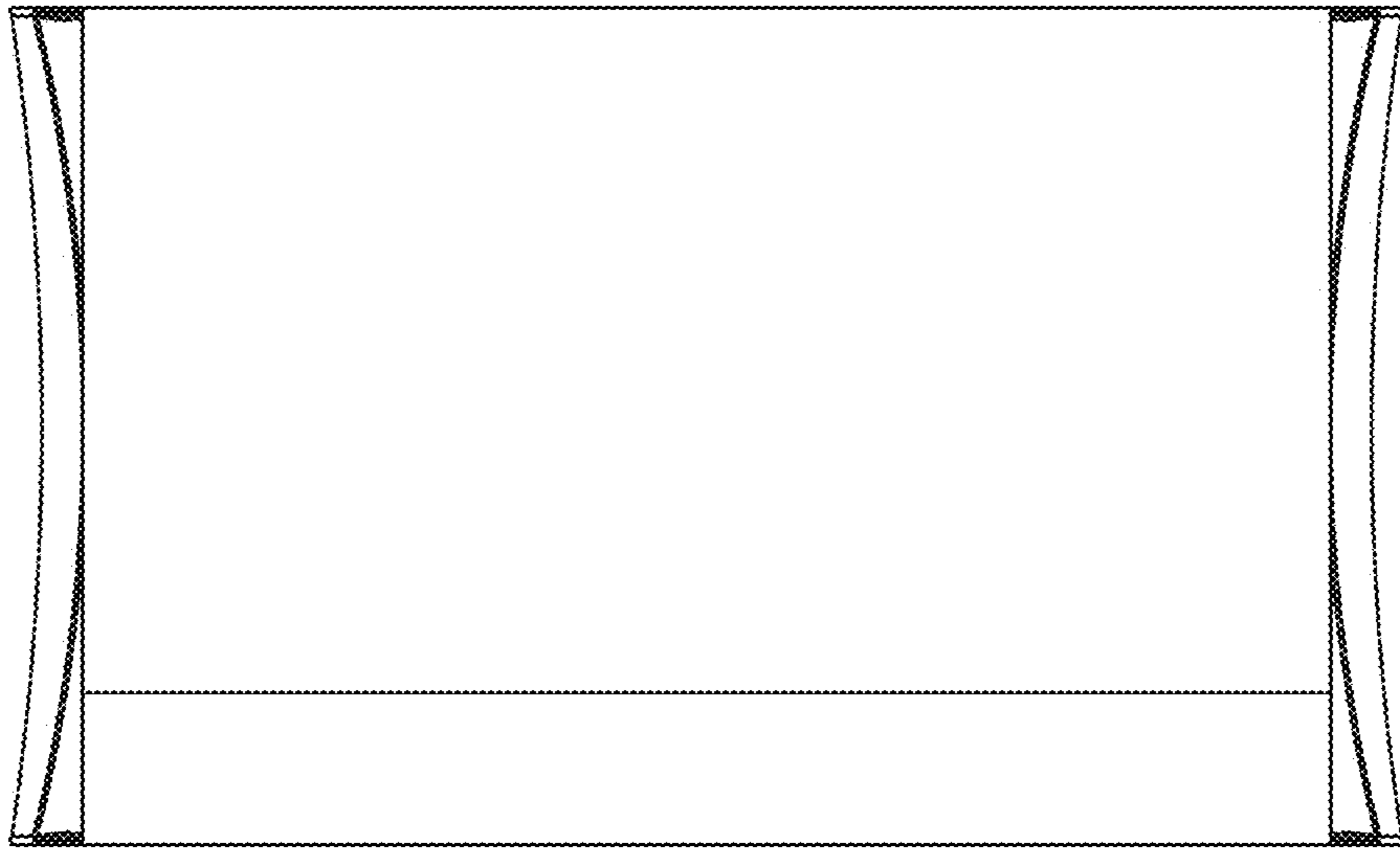


FIG. 14



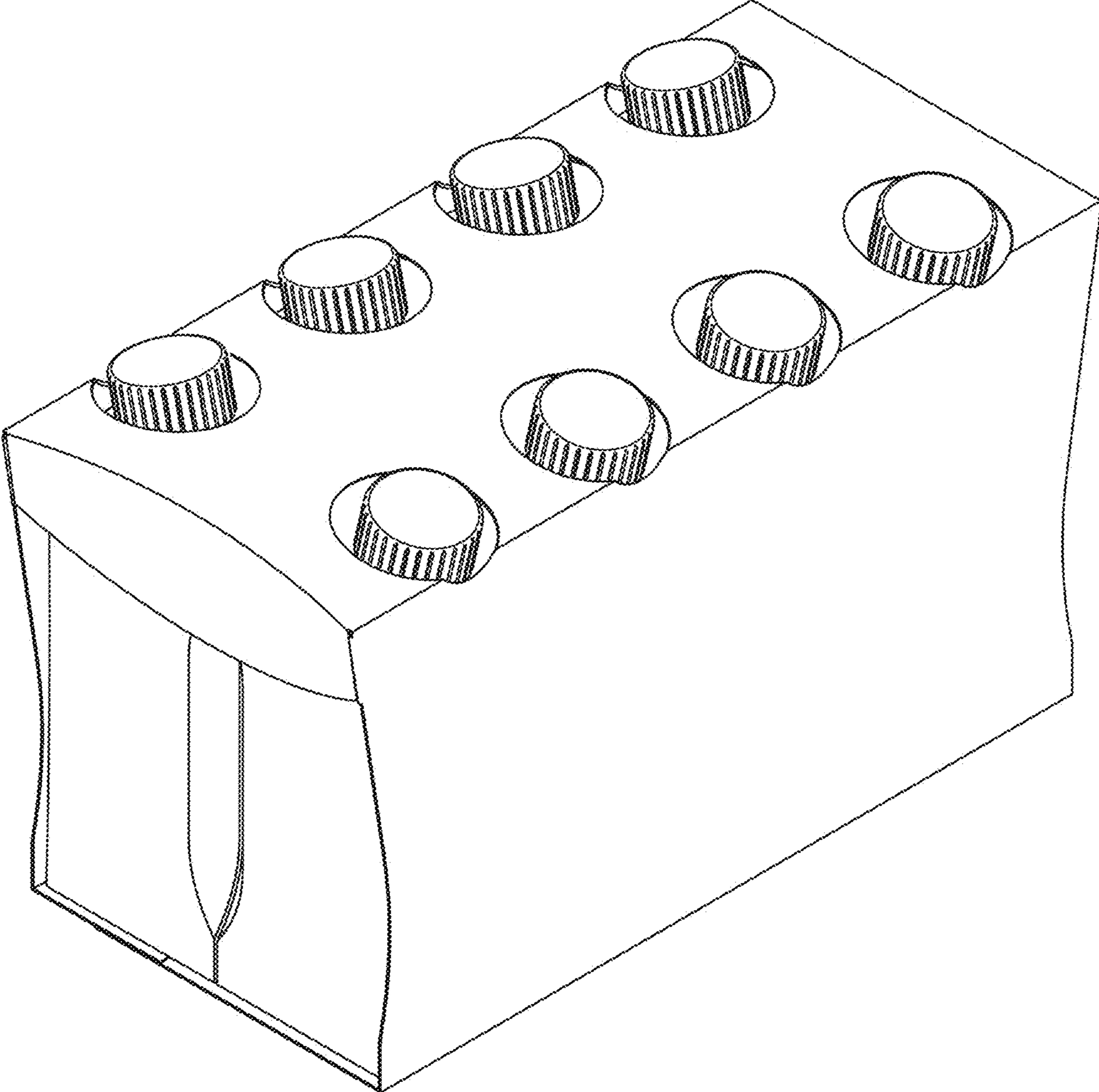


FIG. 15

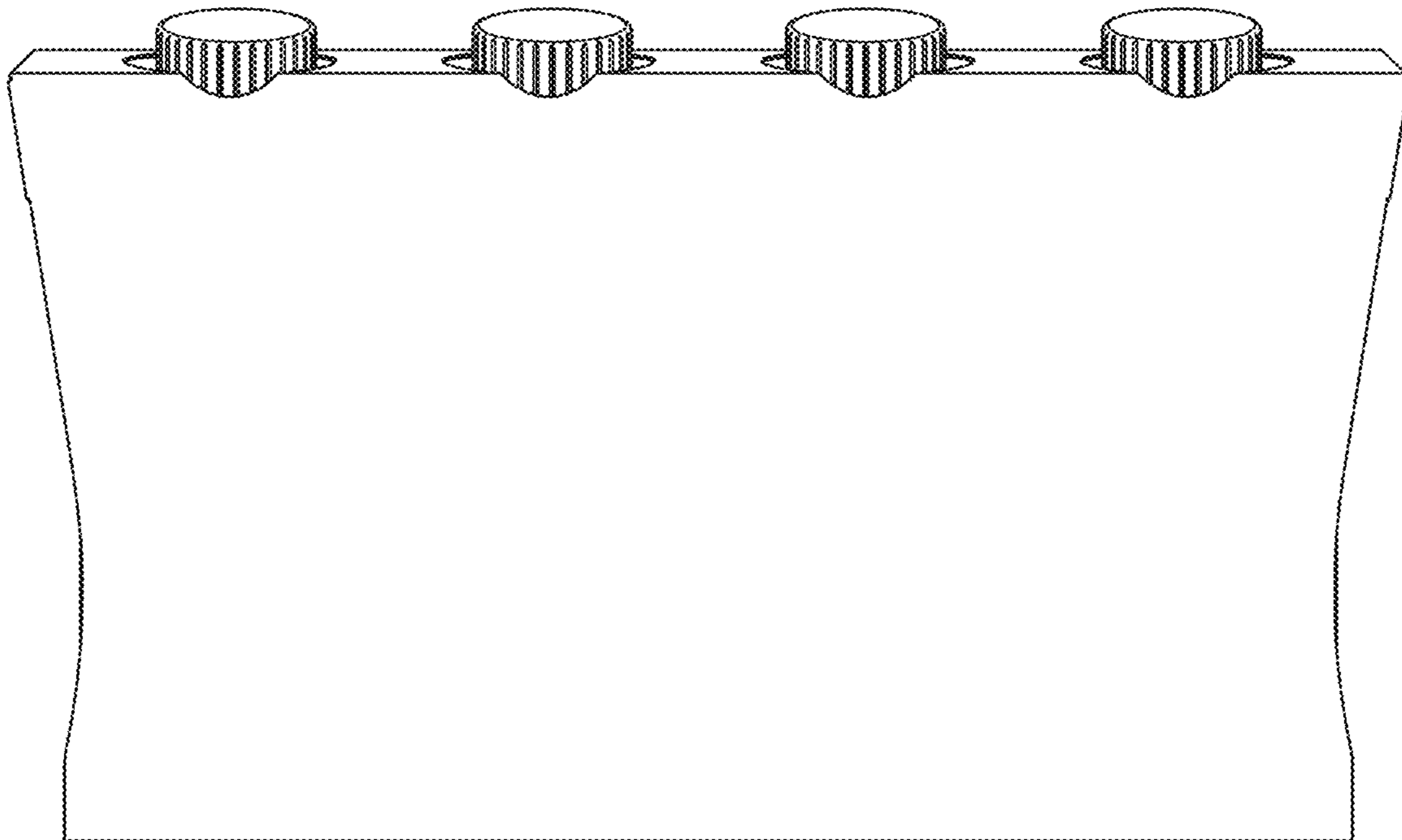


FIG. 16

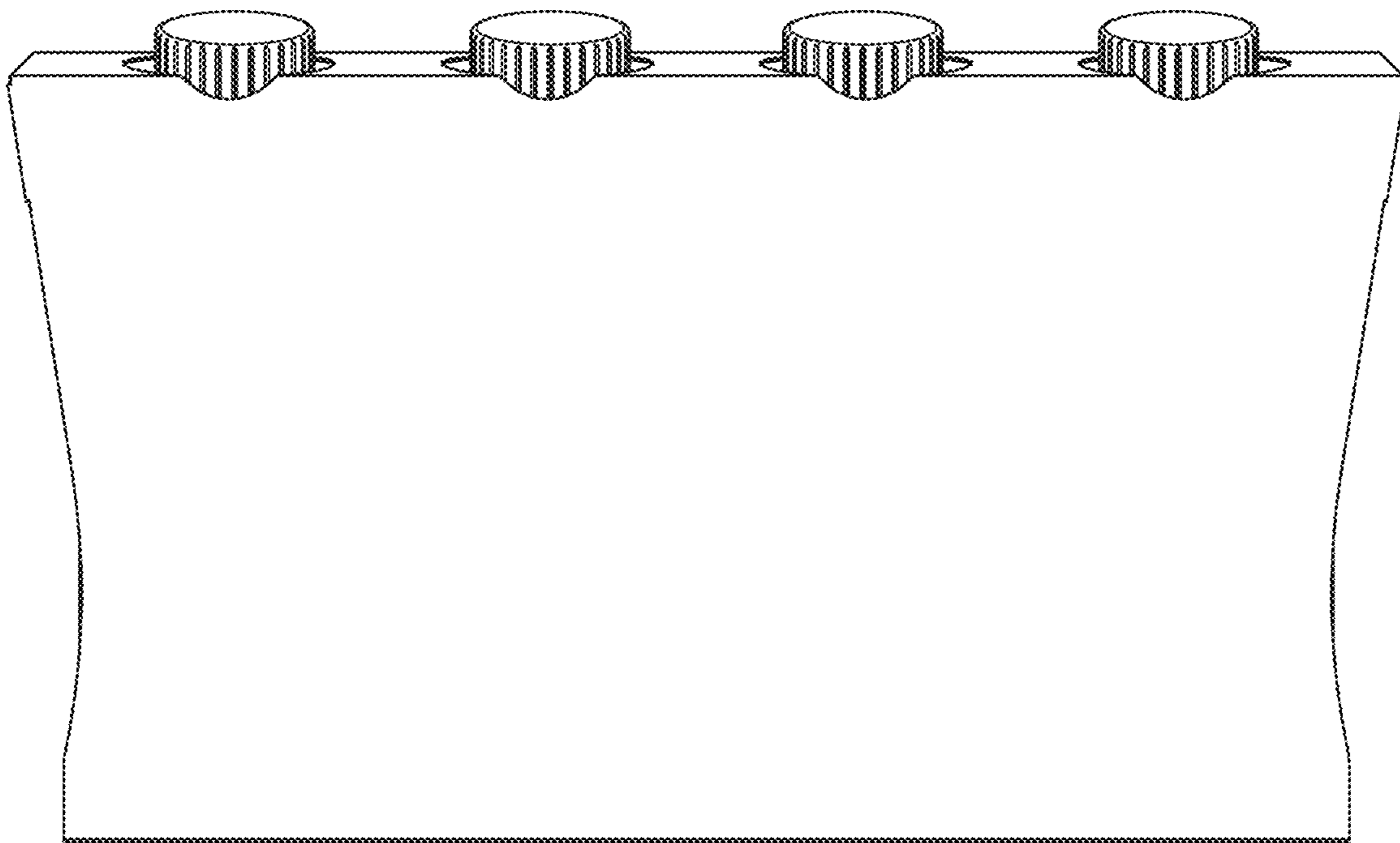


FIG. 17

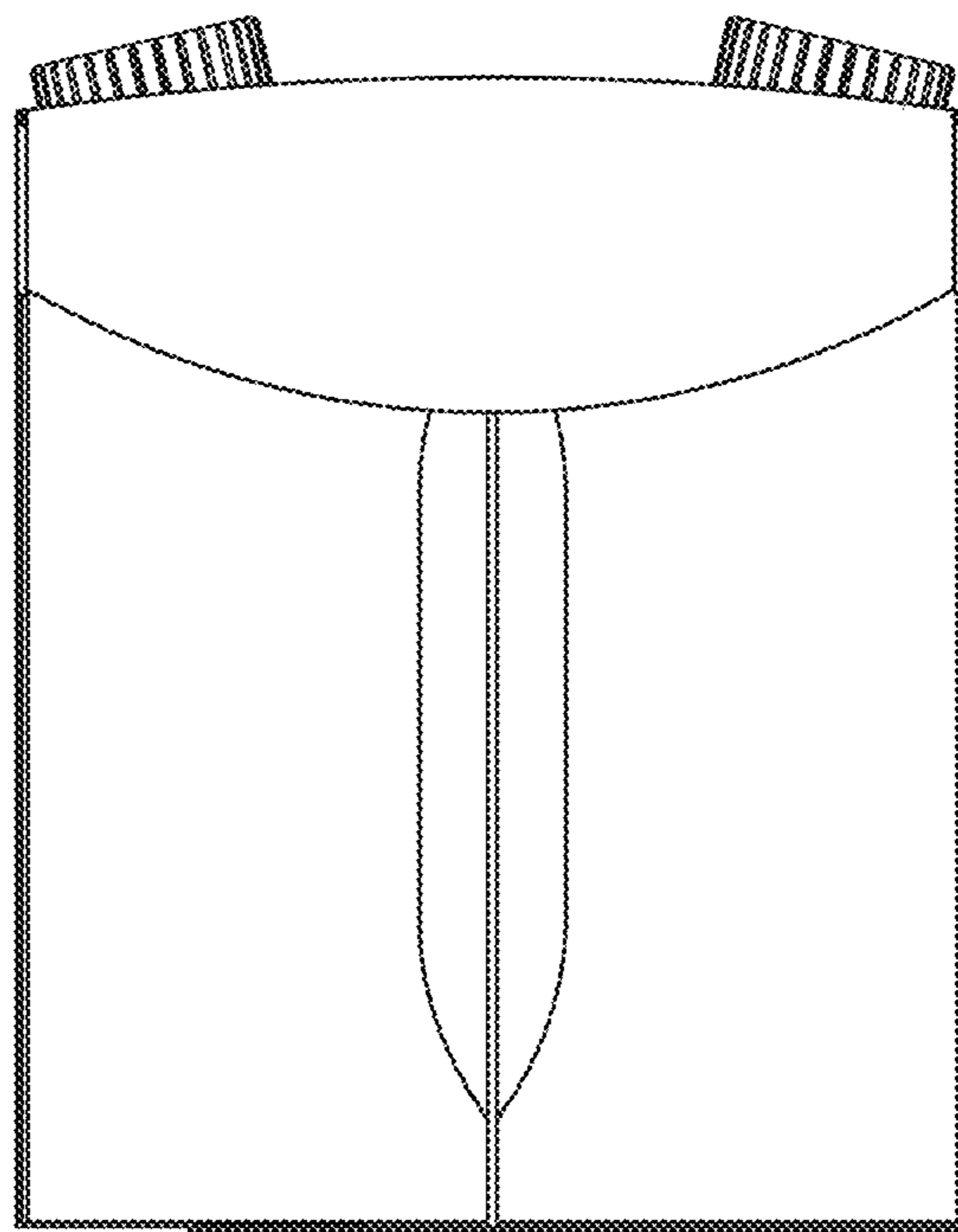


FIG. 18

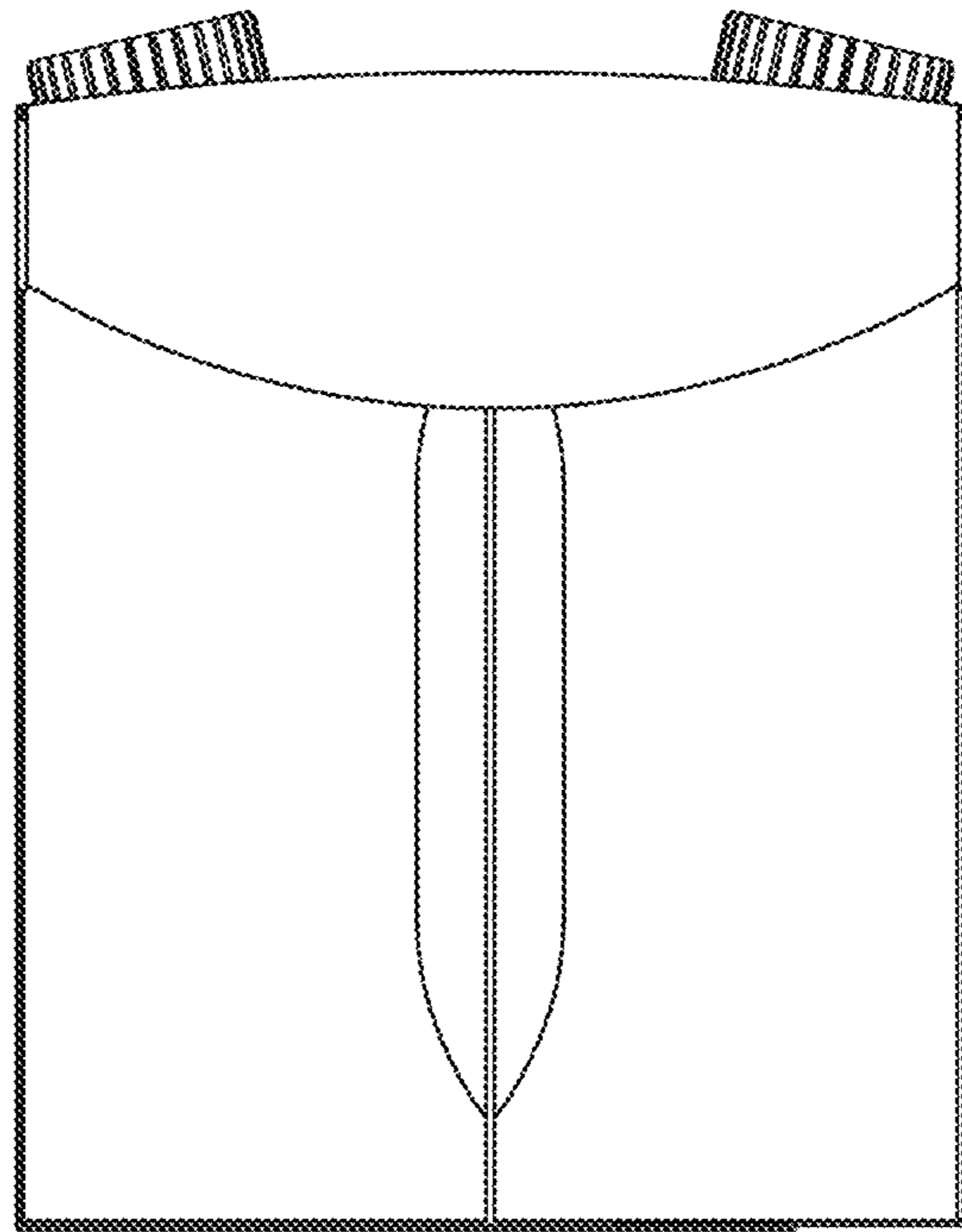


FIG. 19

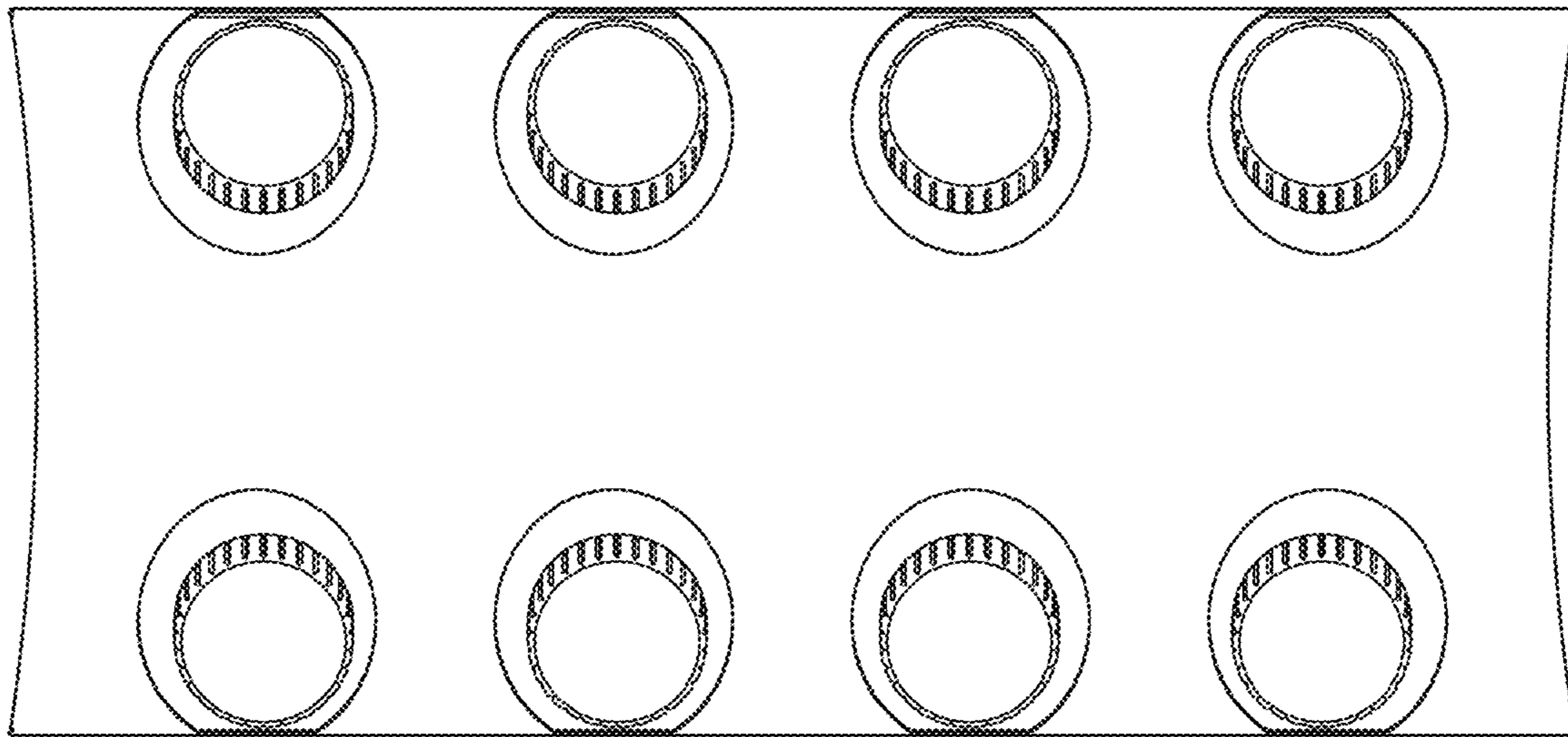


FIG. 20

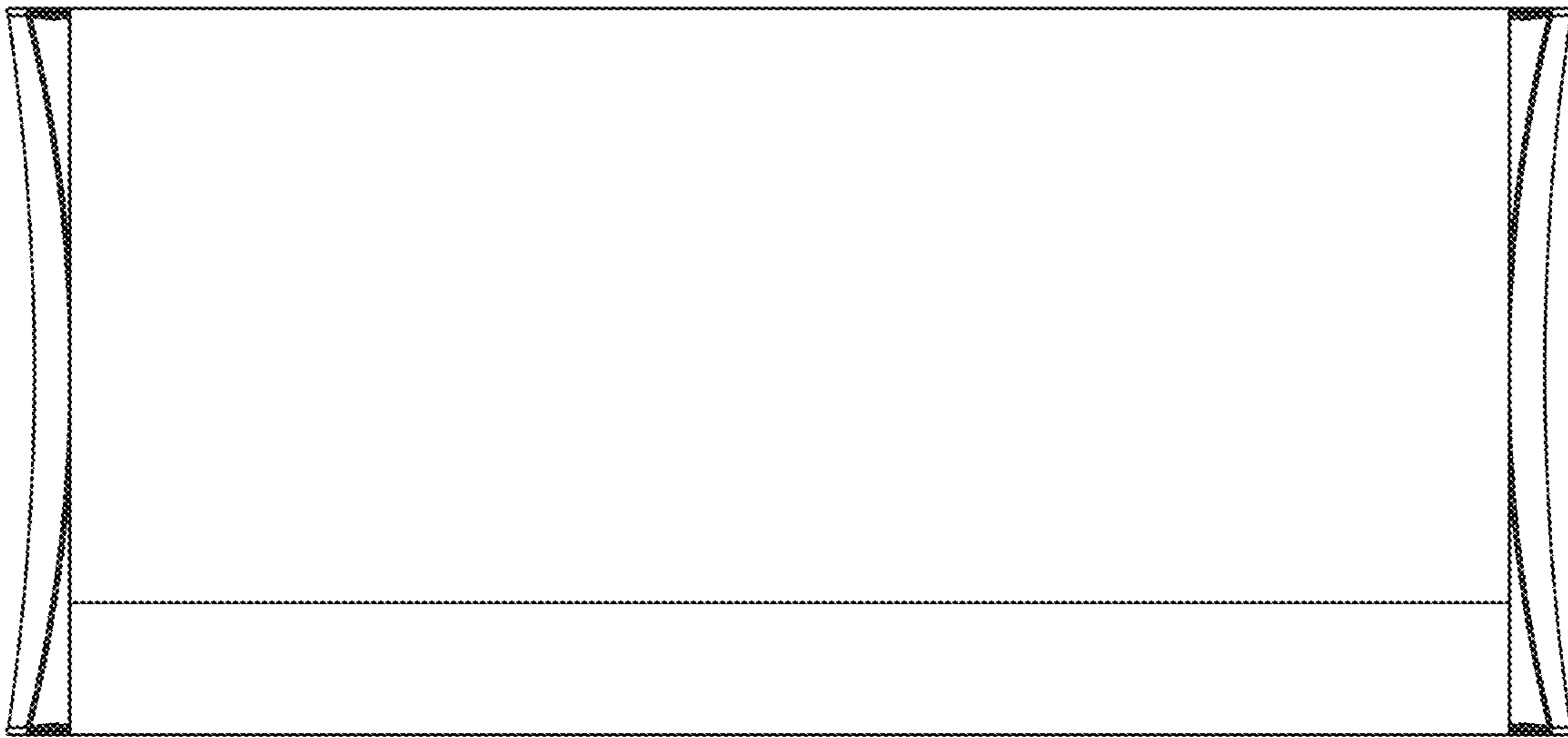


FIG. 21

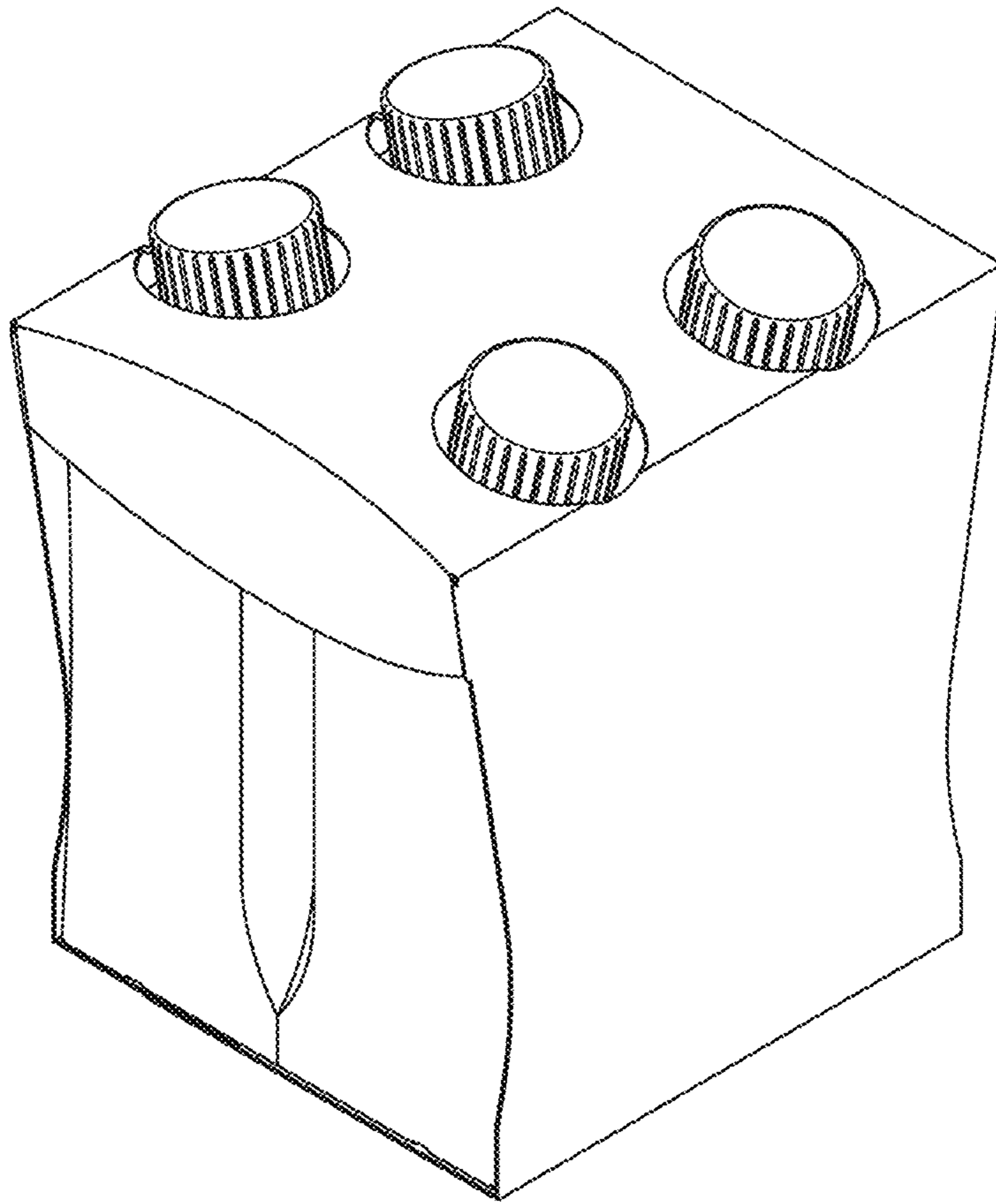
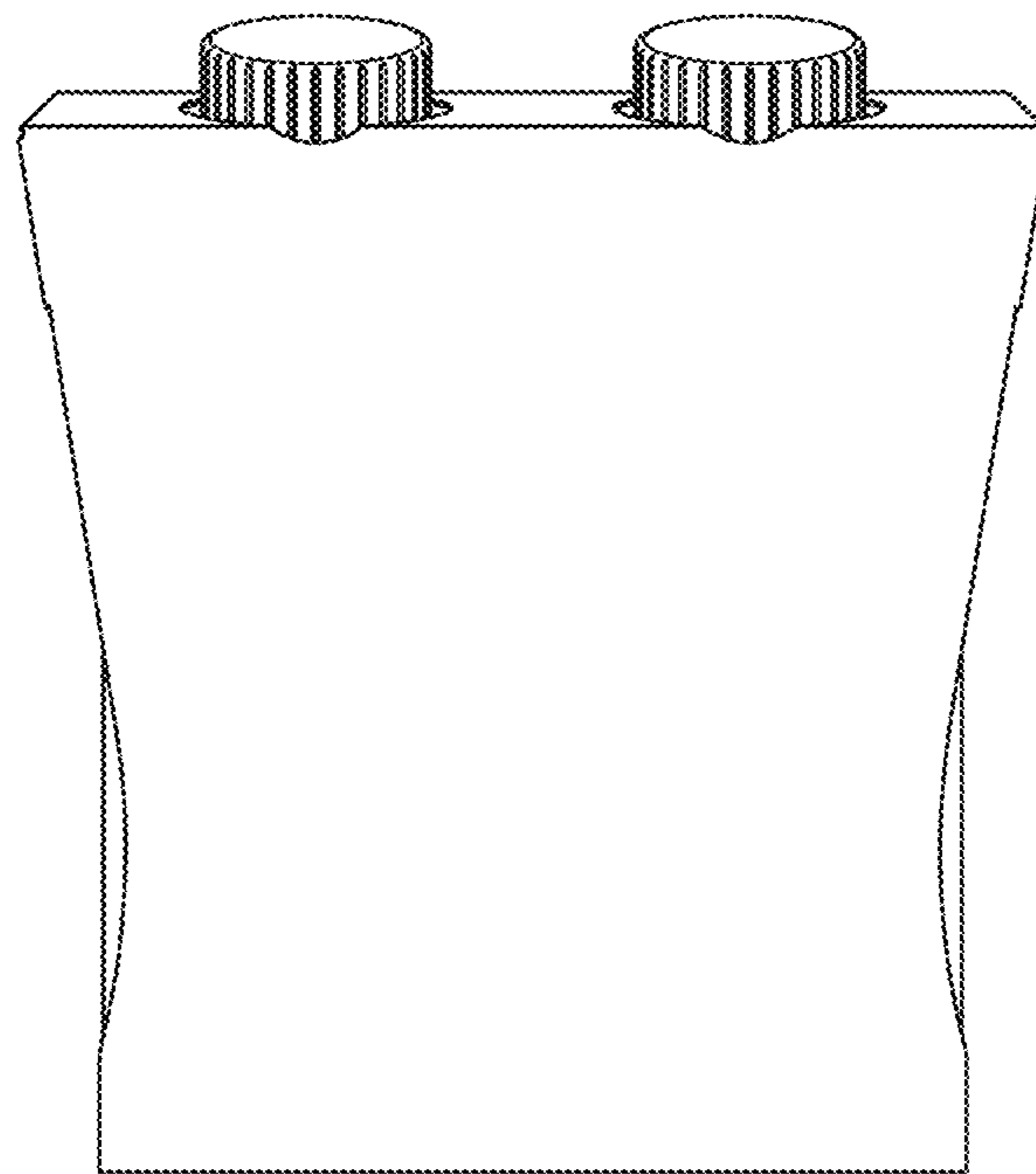


FIG. 22





**FIG. 23**

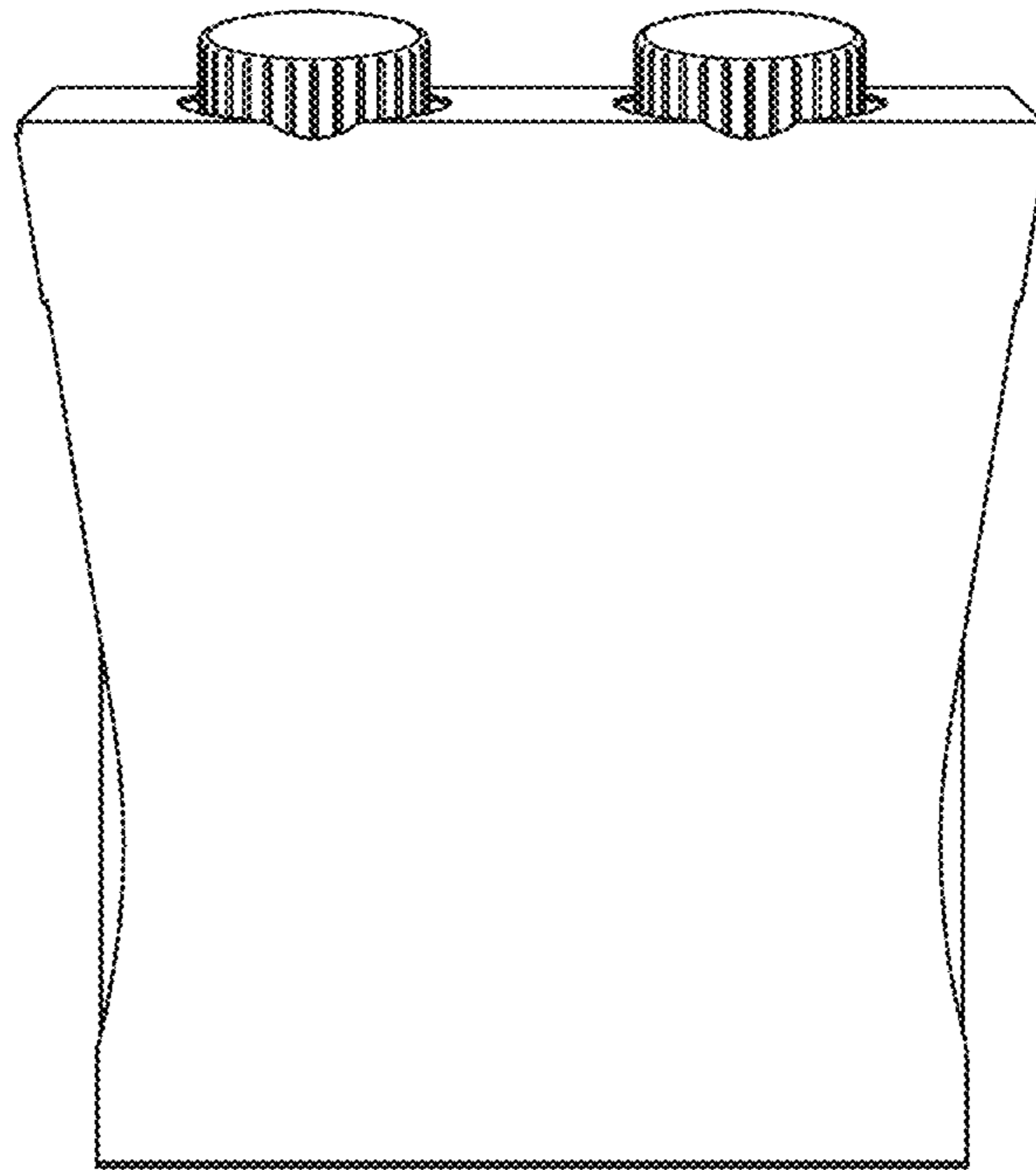


FIG. 24

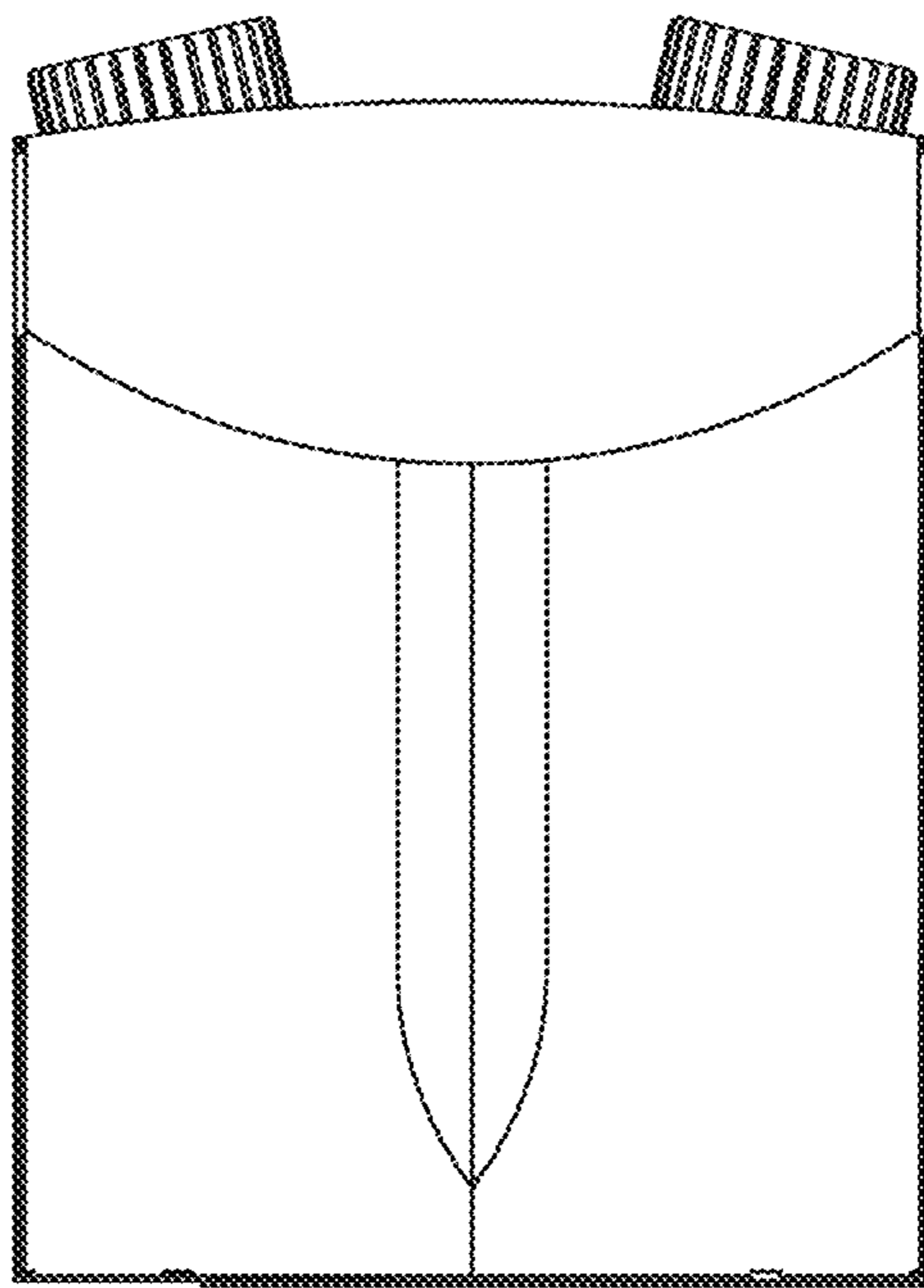


FIG. 25

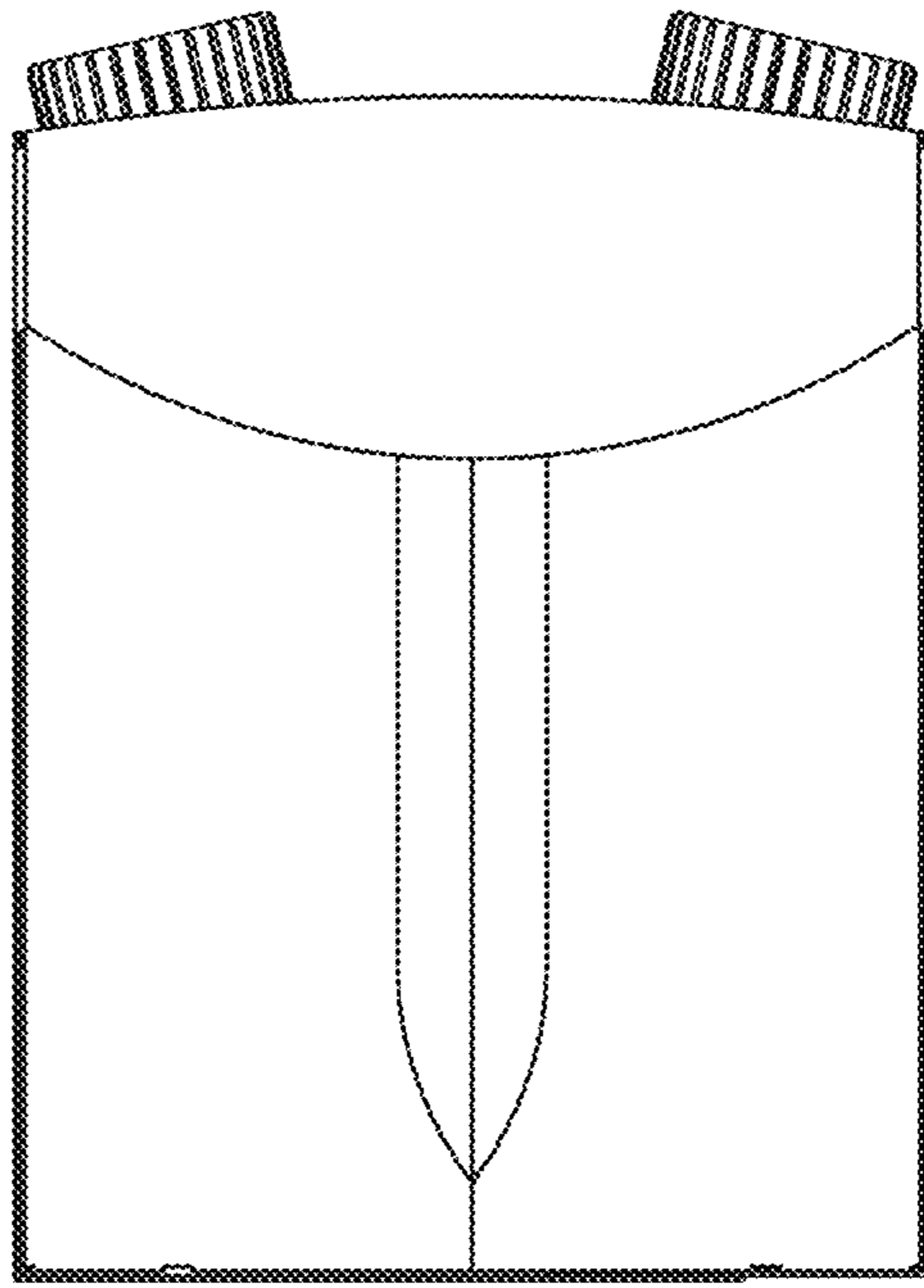


FIG. 26

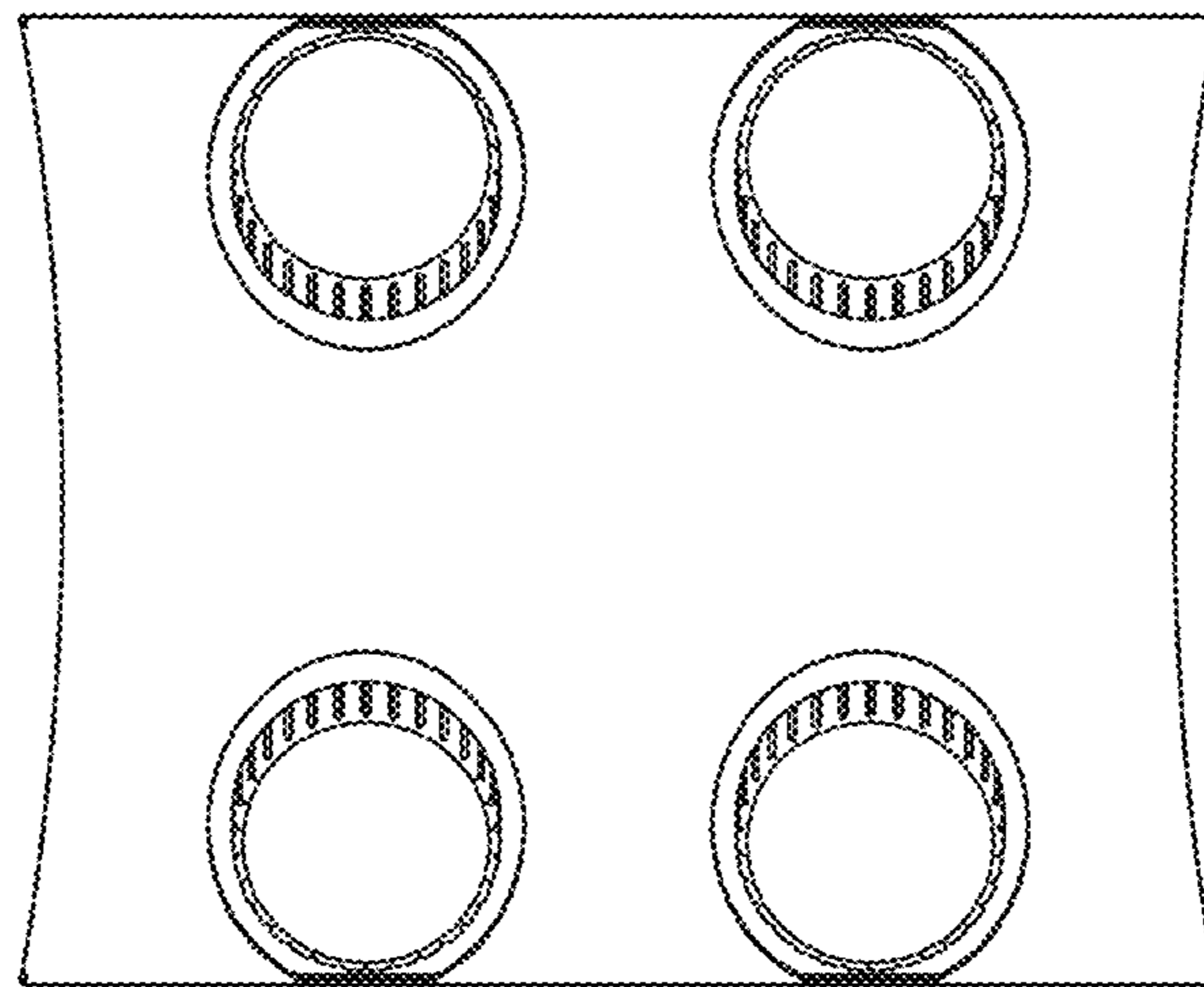


FIG. 27

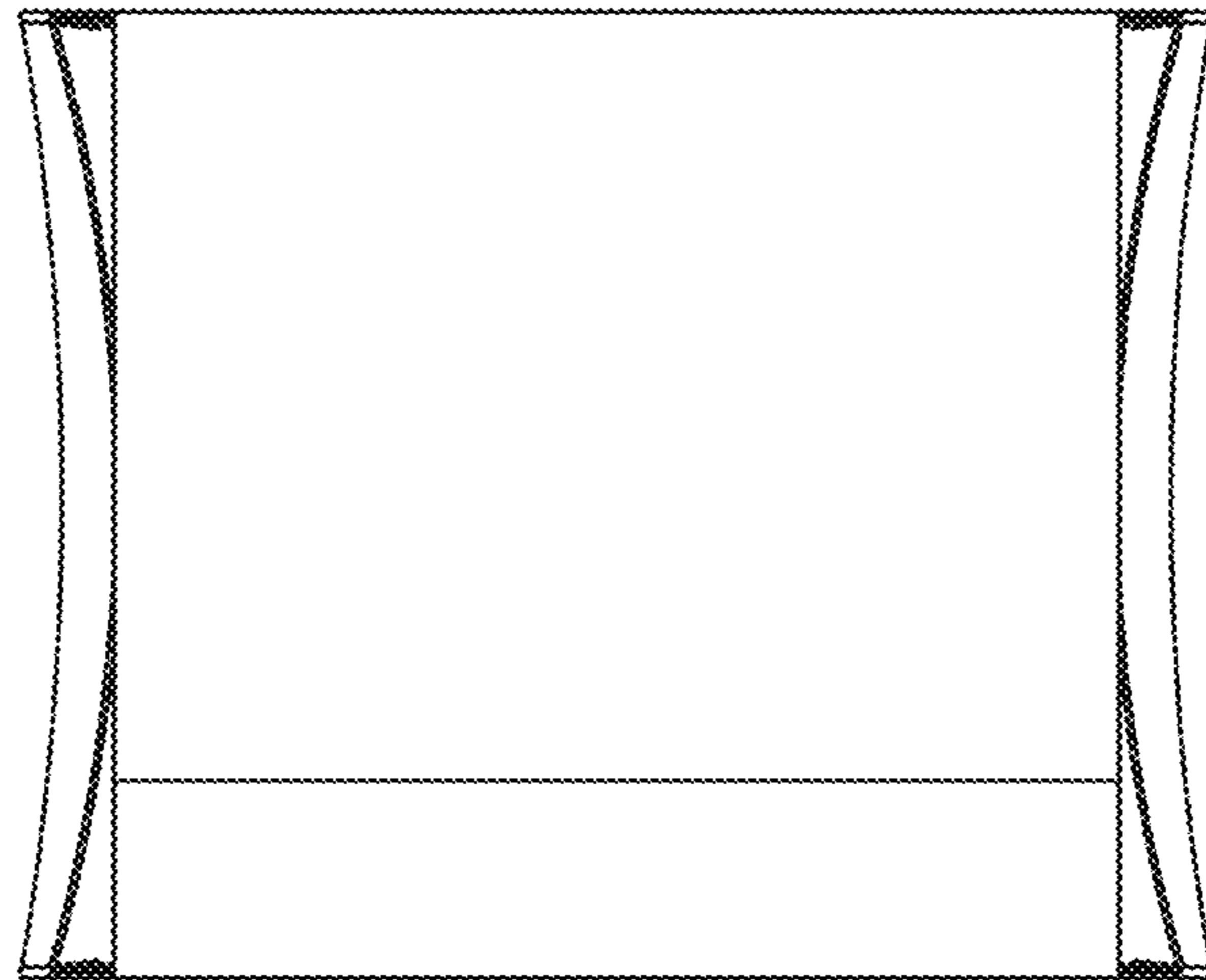


FIG. 28

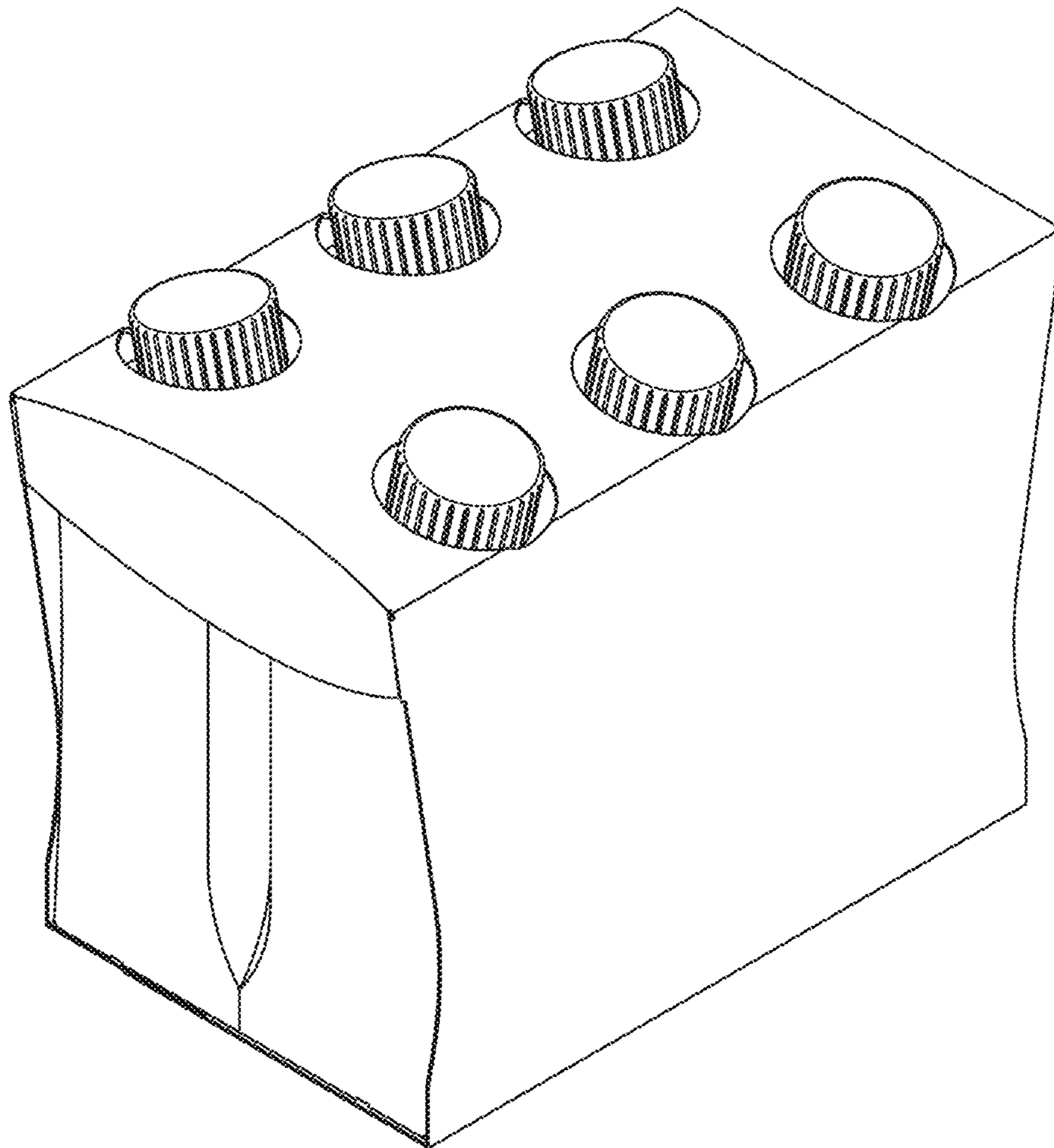


FIG. 29

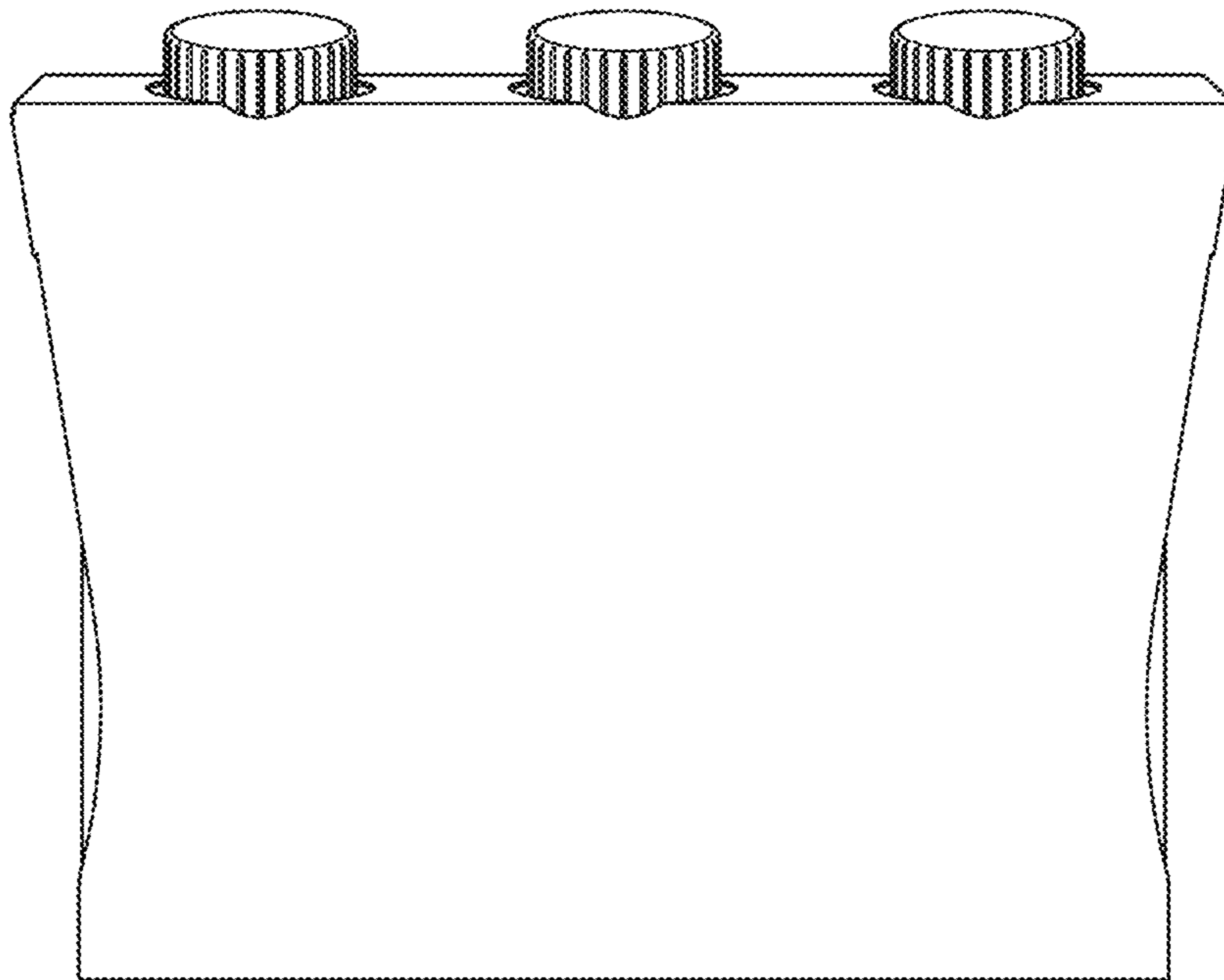


FIG. 30



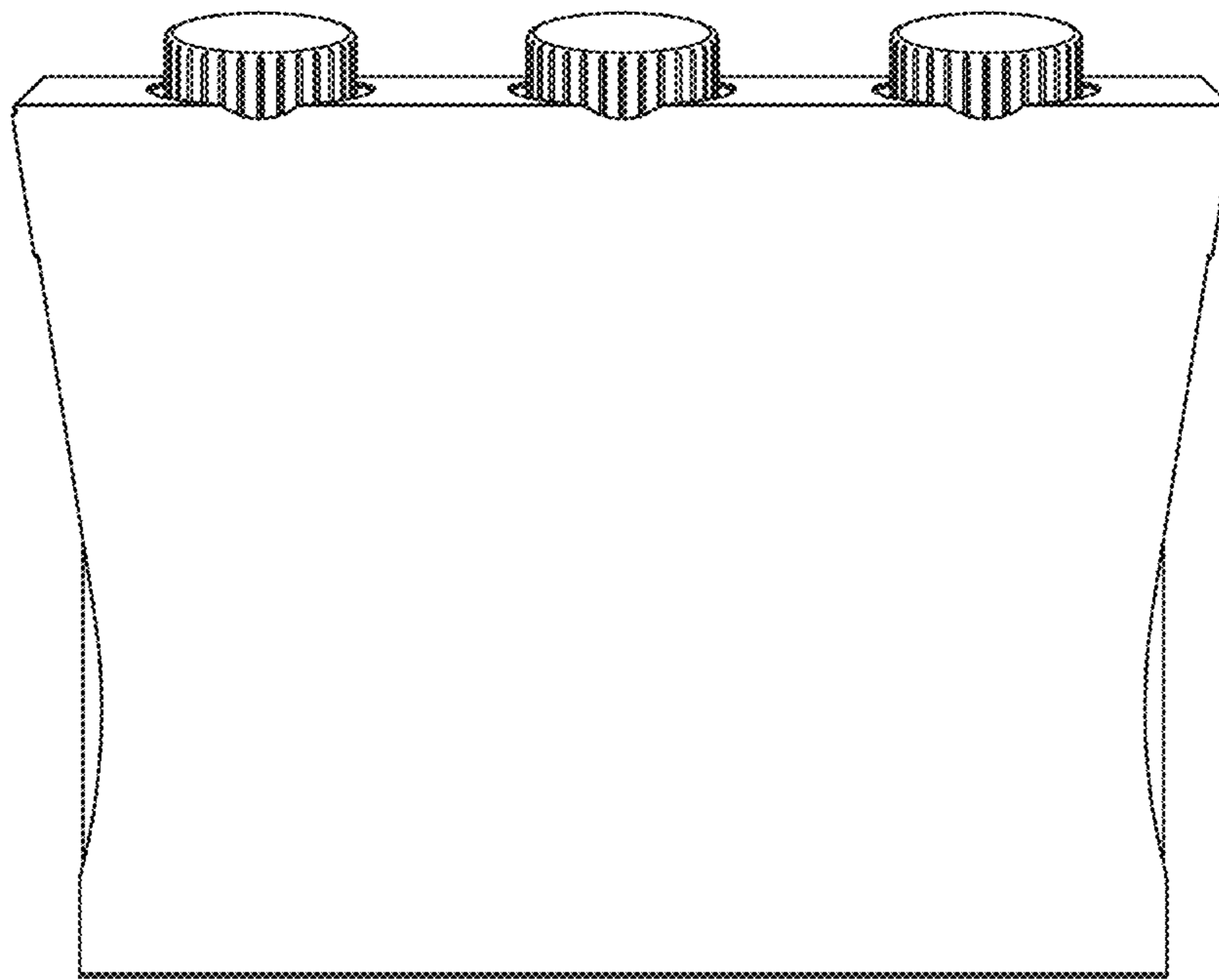


FIG. 31

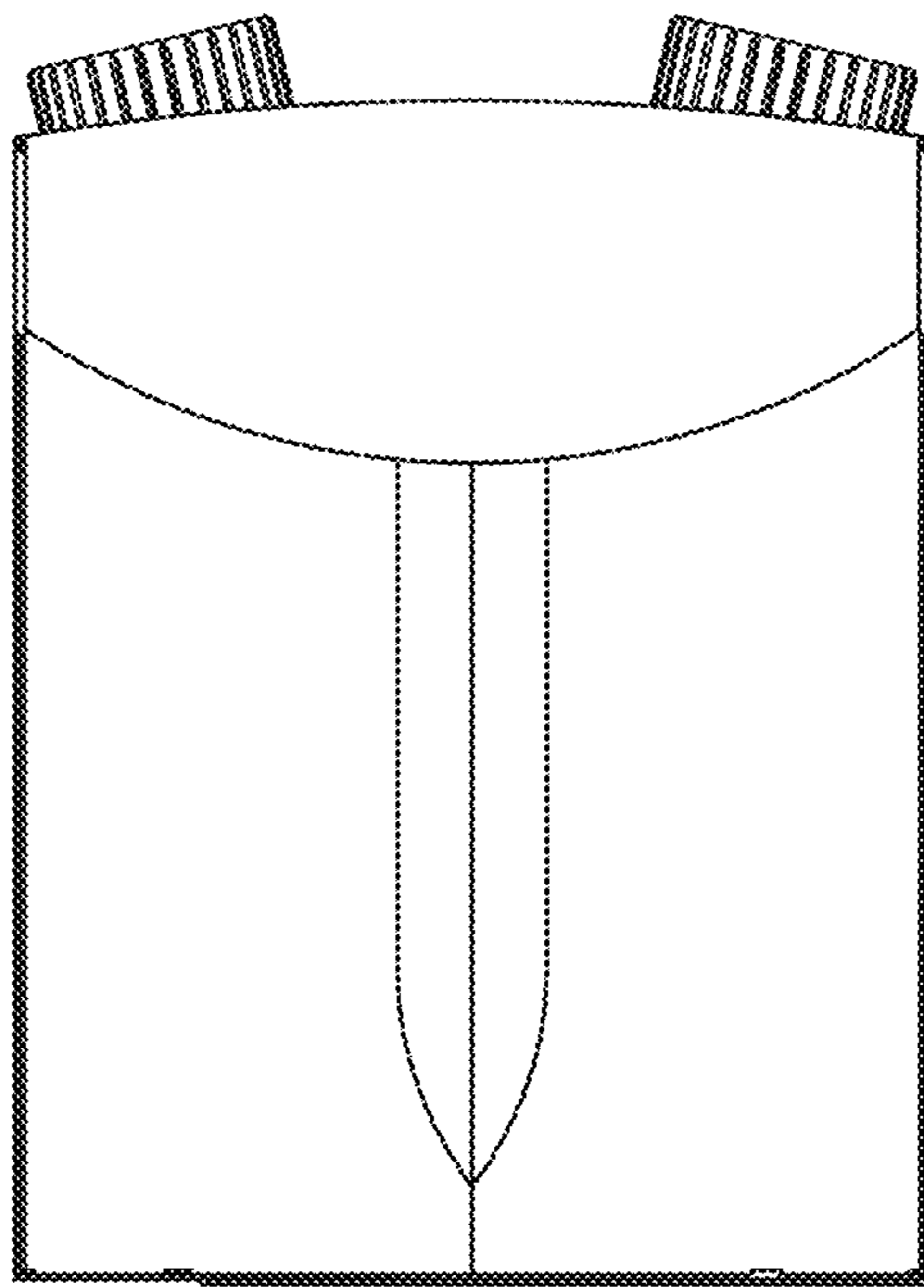


FIG. 32

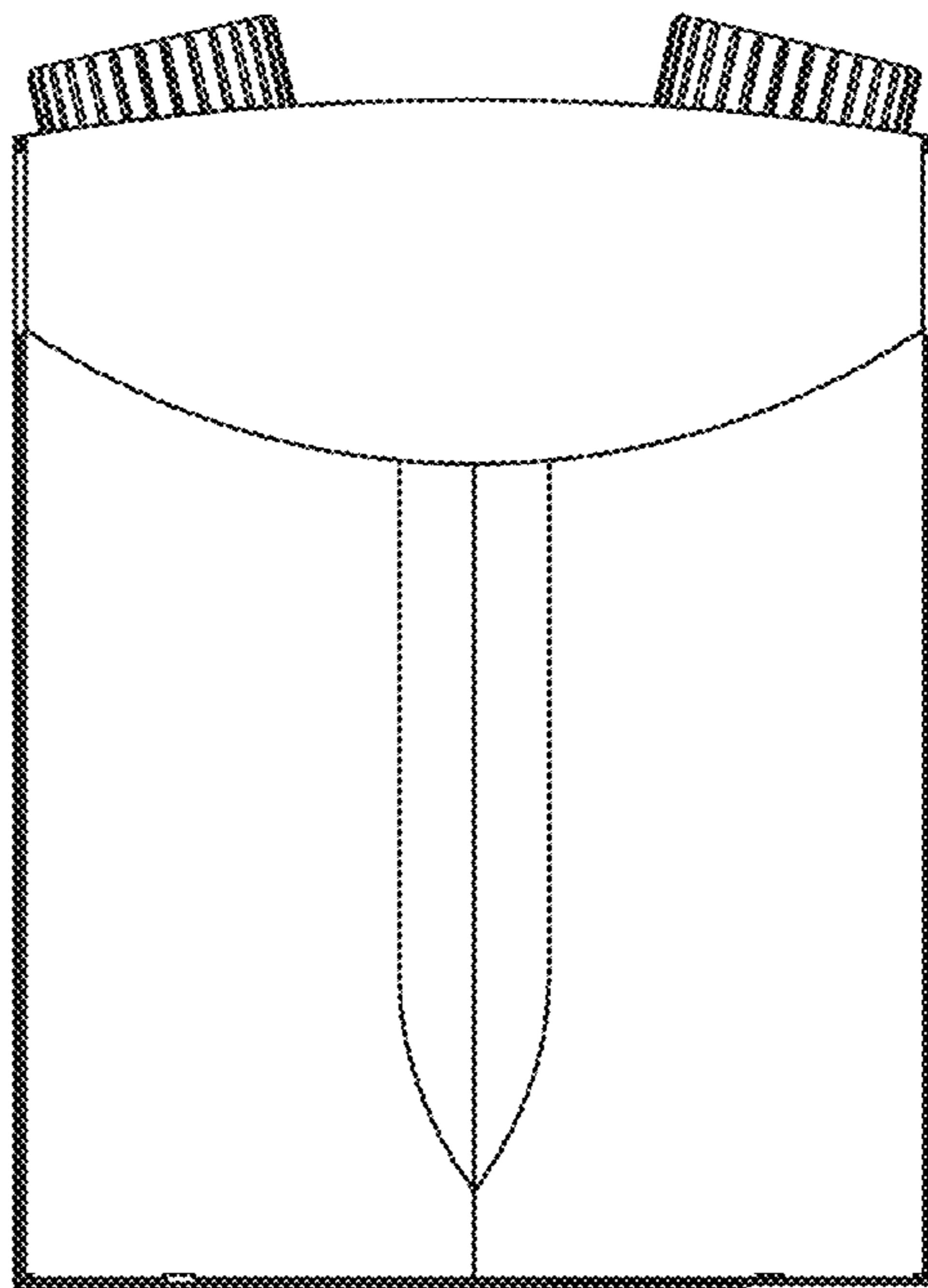


FIG. 33

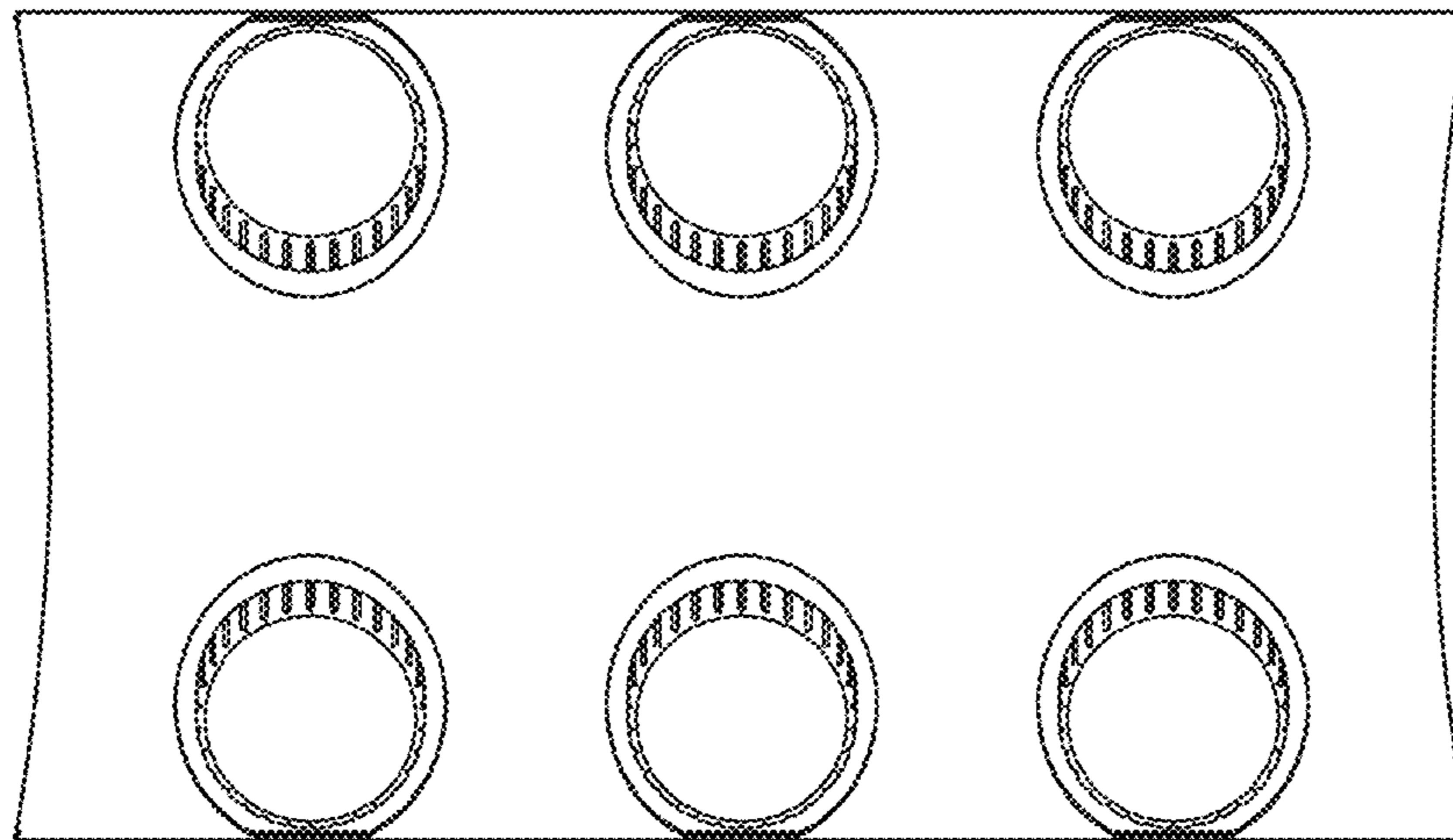


FIG. 34

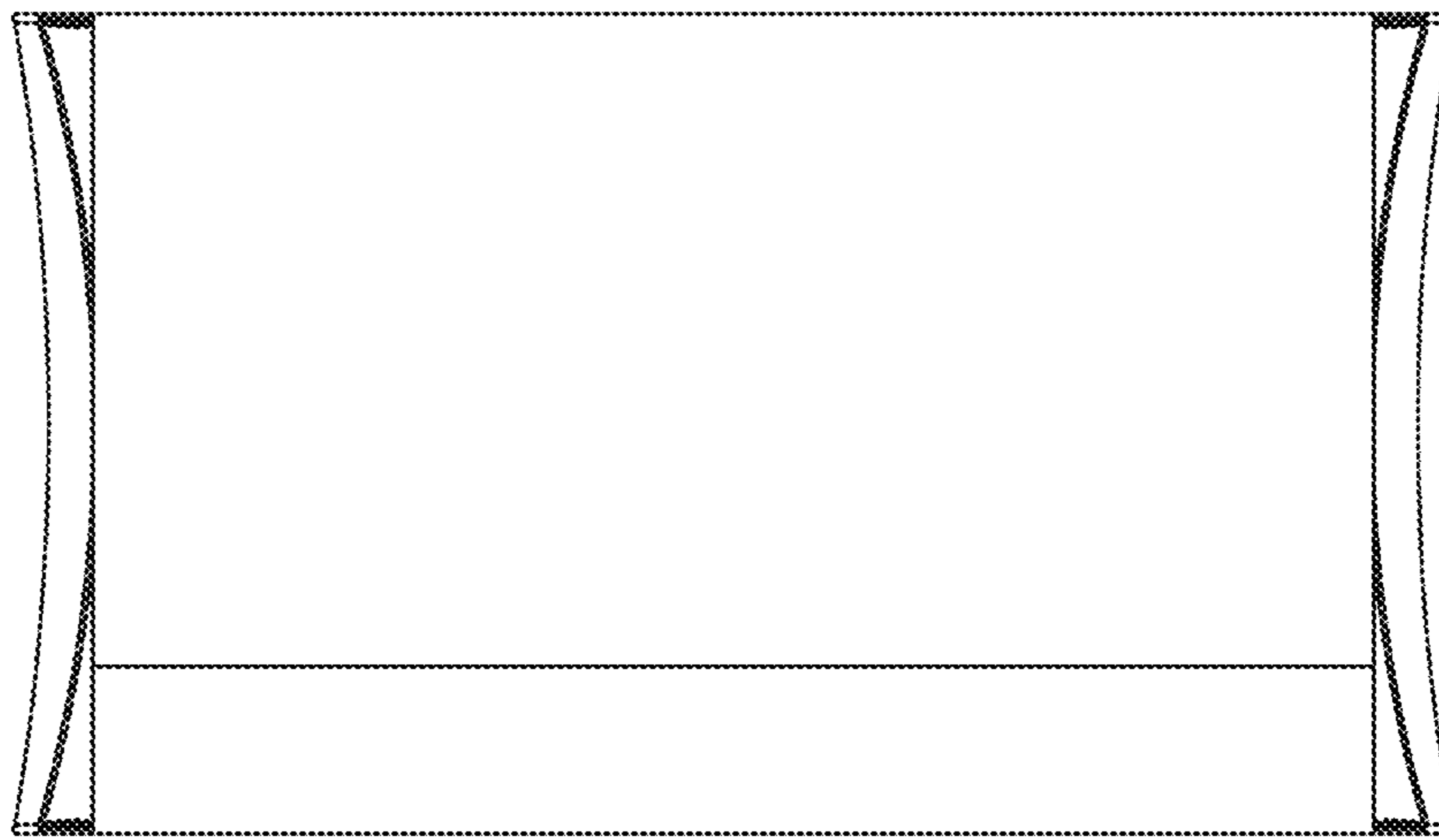


FIG. 35

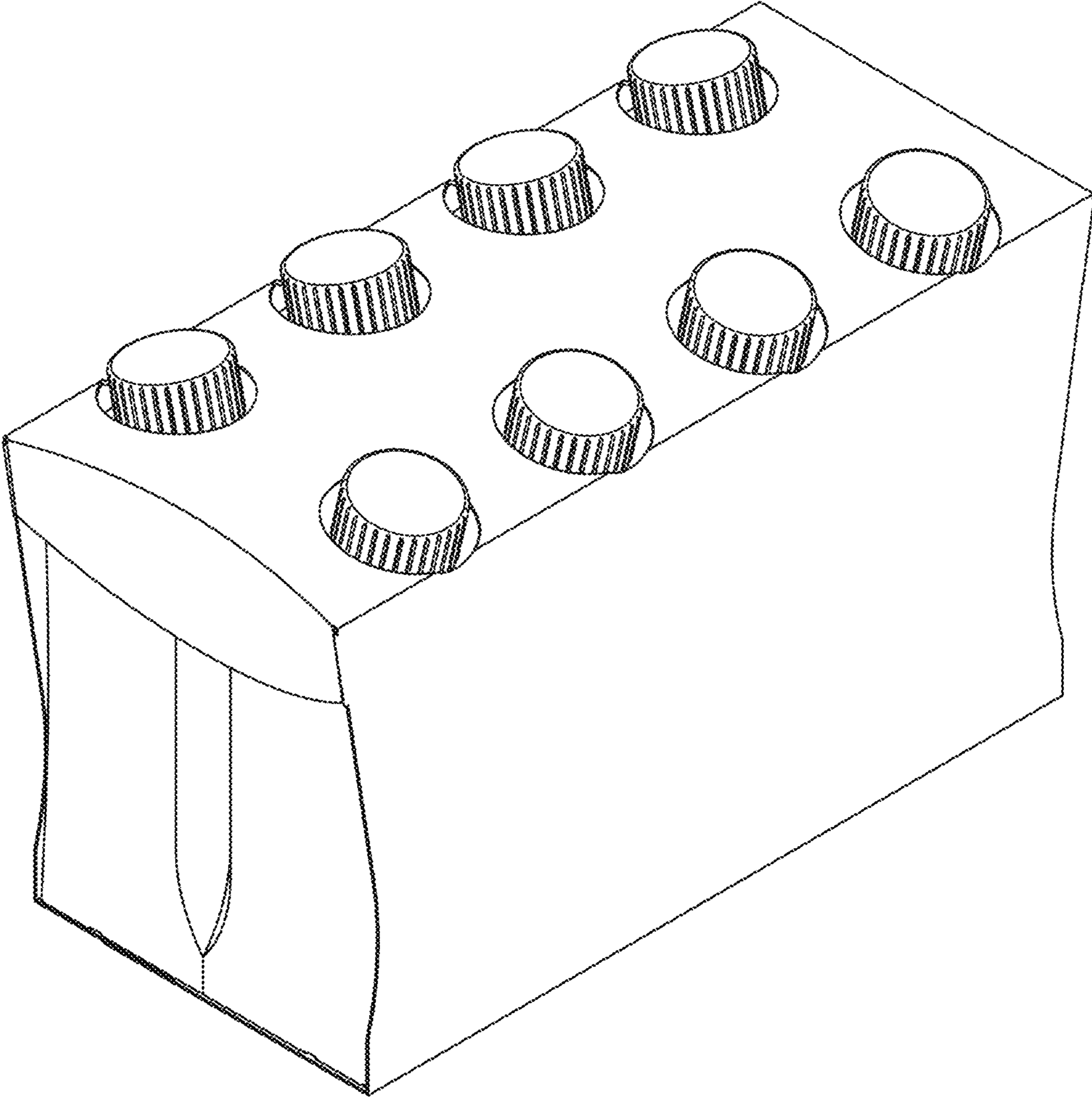


FIG. 36

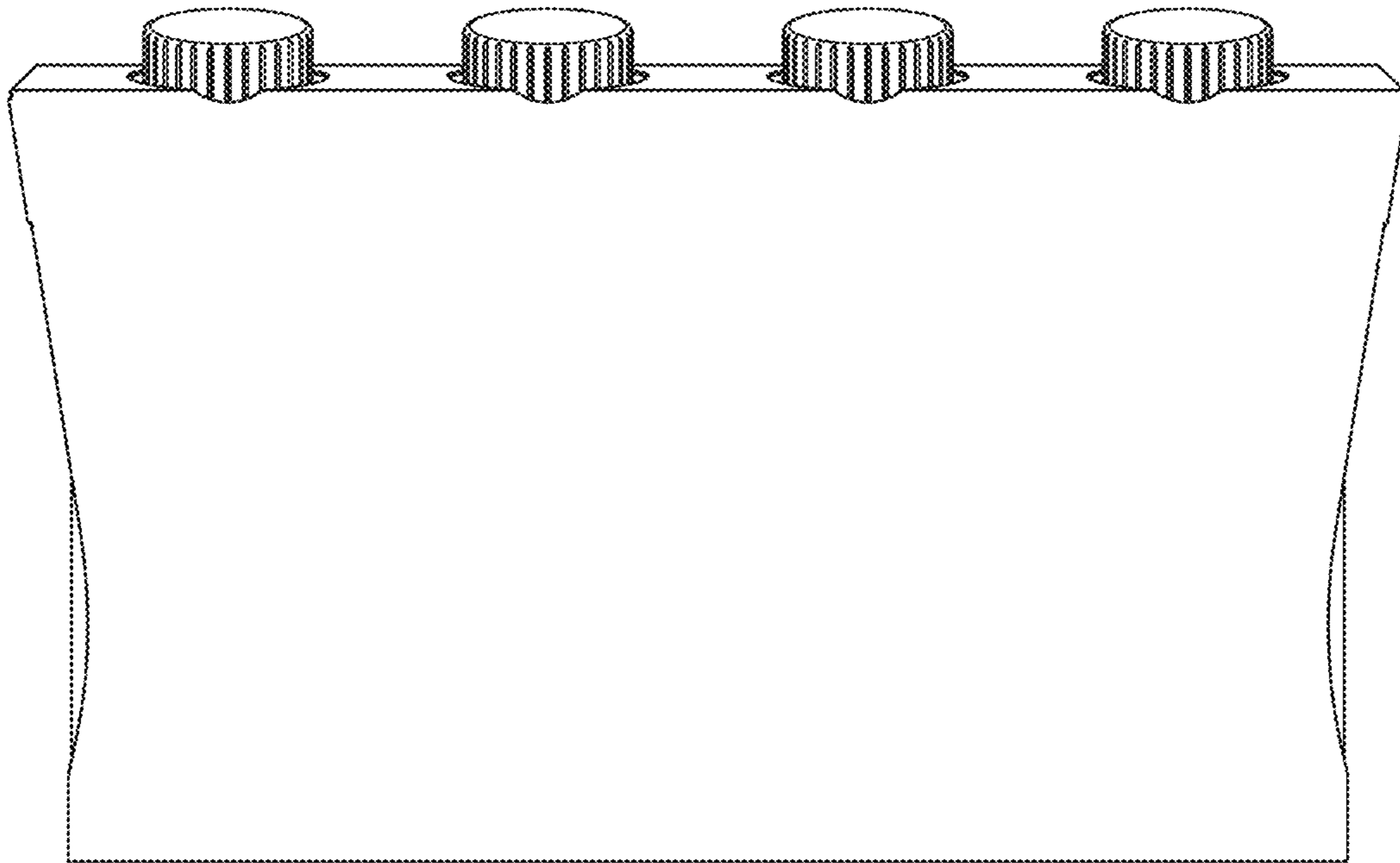


FIG. 37

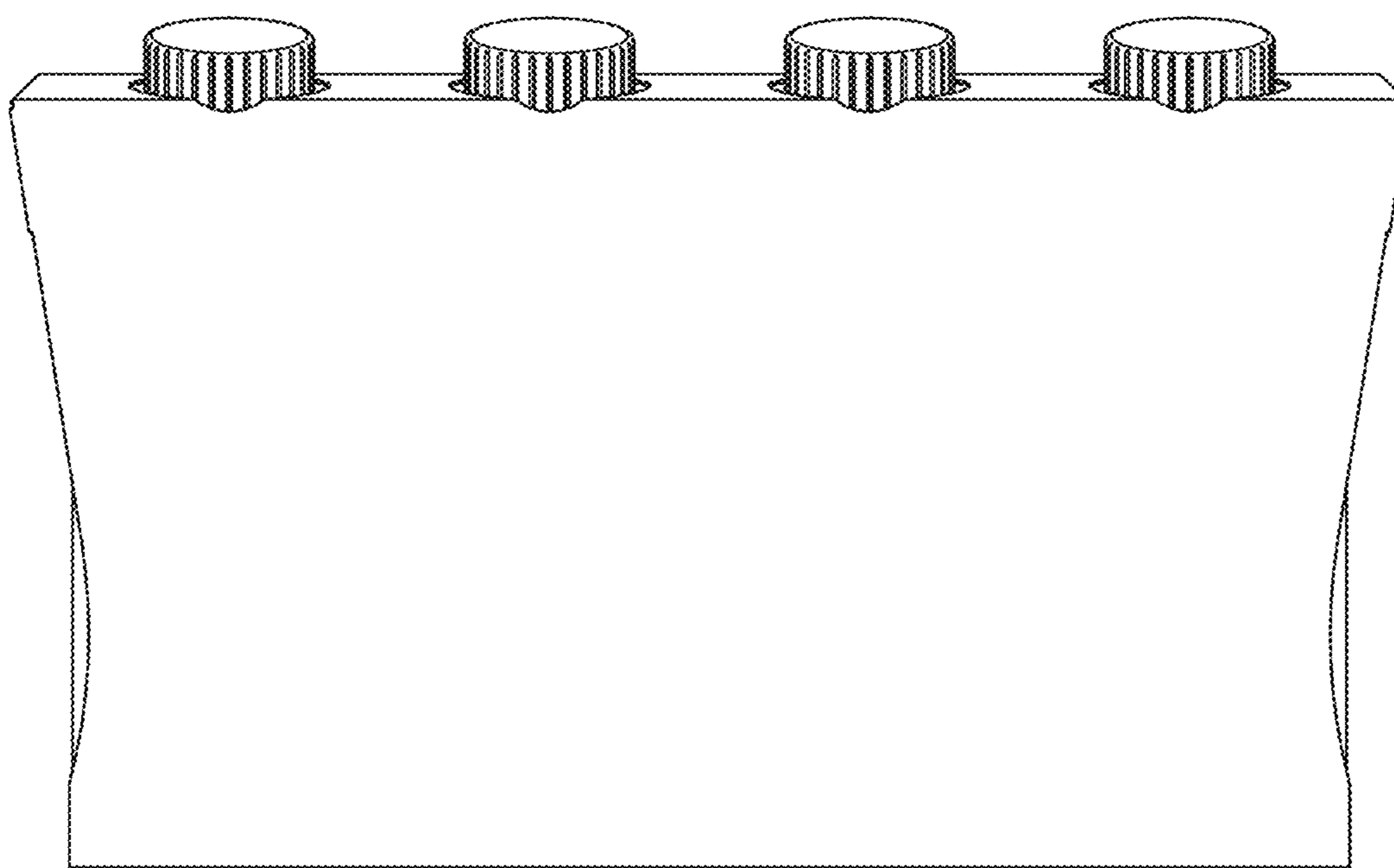


FIG. 38



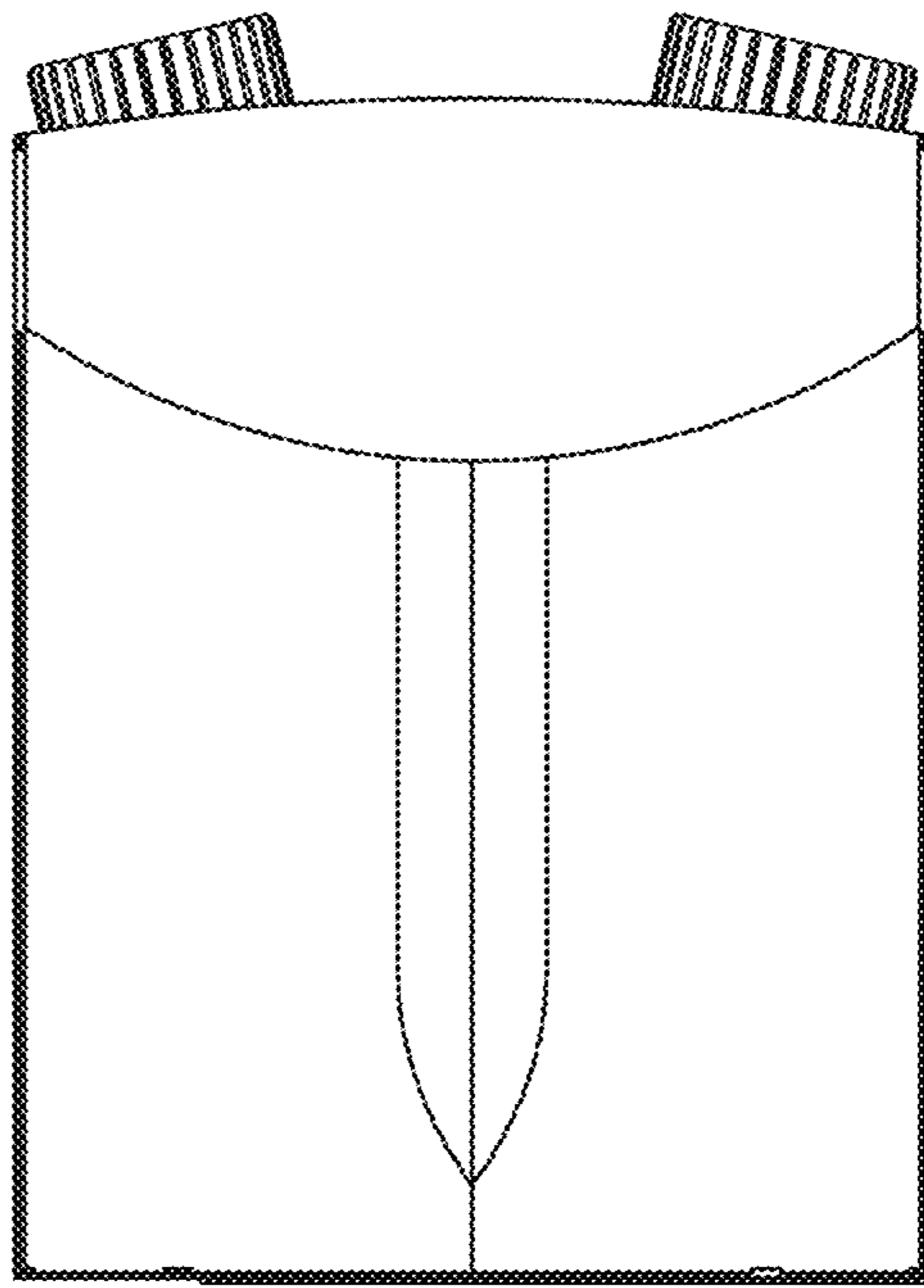


FIG. 39

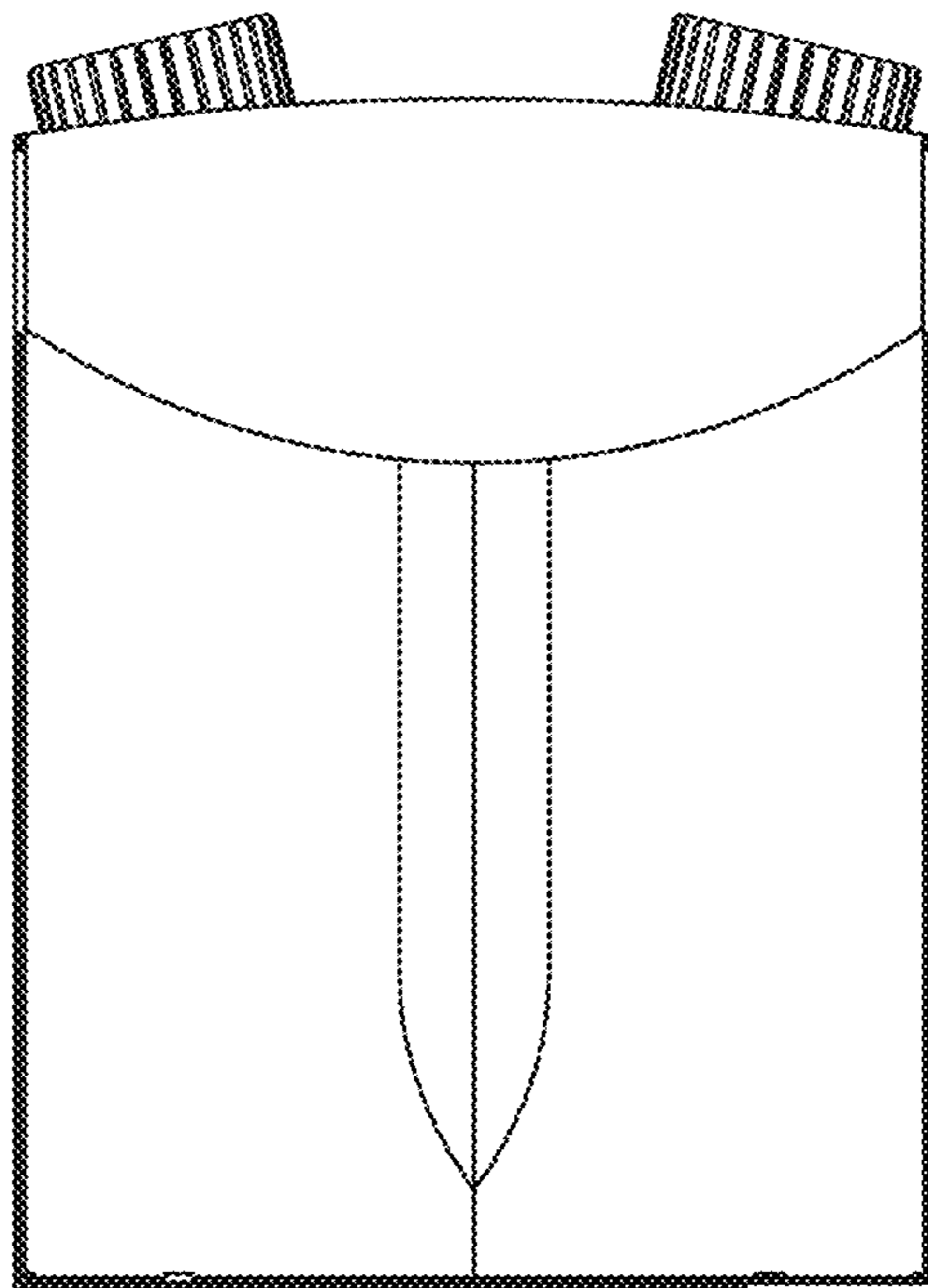


FIG. 40

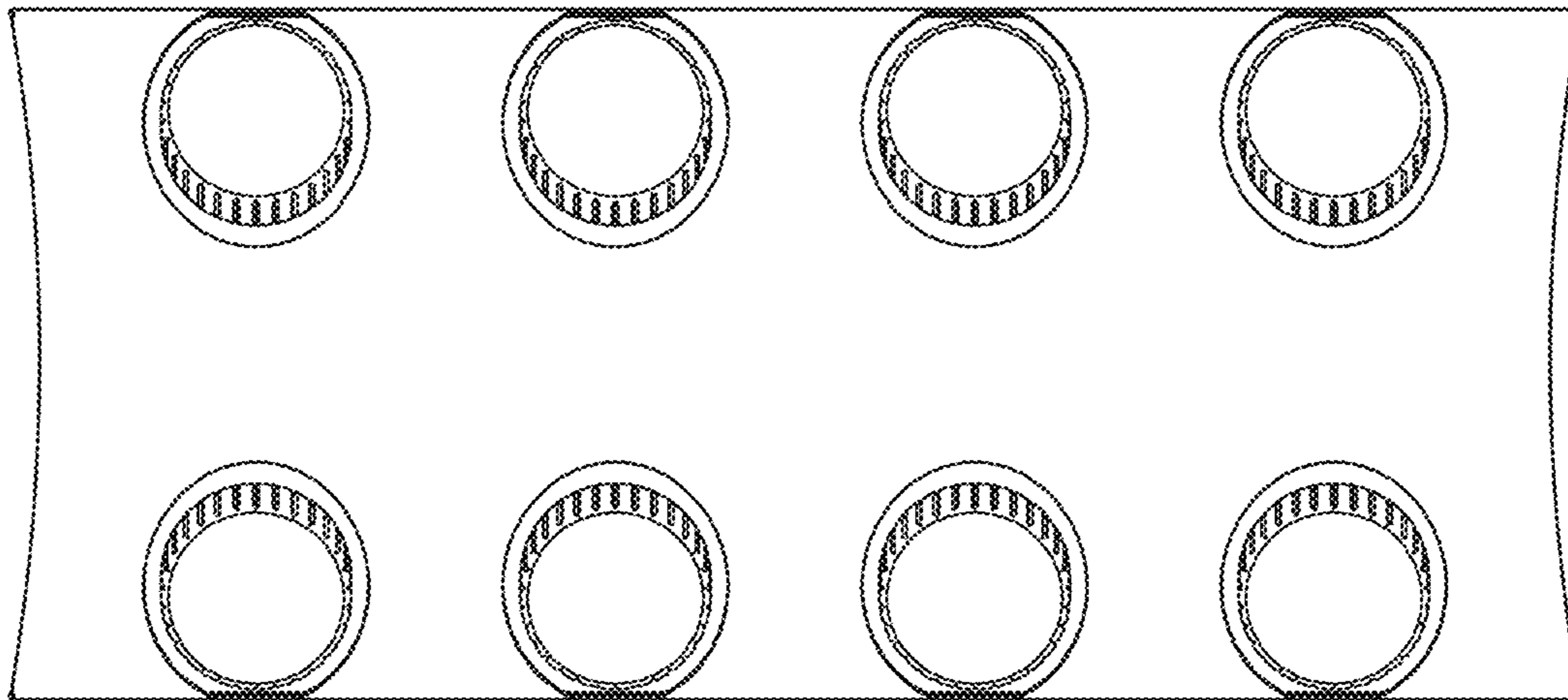


FIG. 41

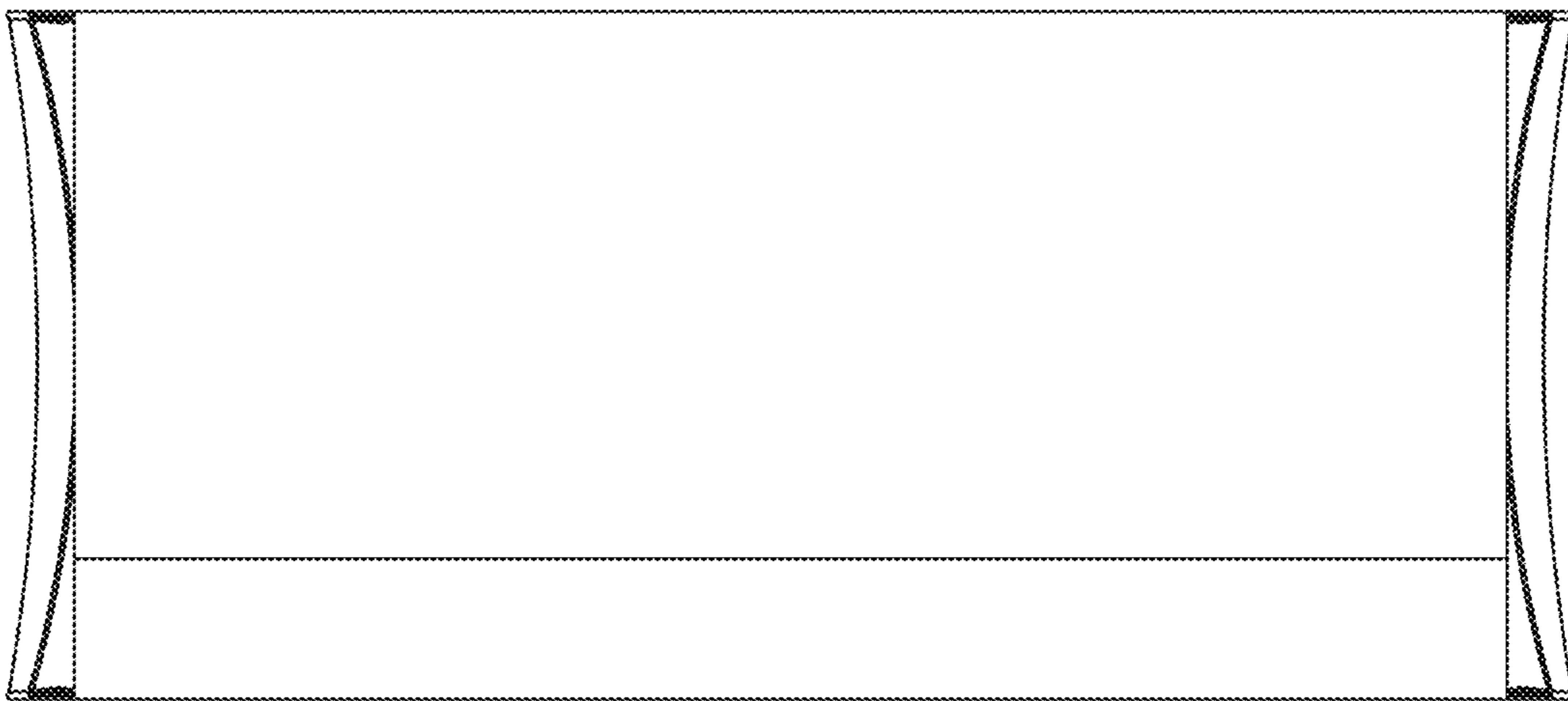


FIG. 42