



US00D887829S

(12) **United States Design Patent**  
**Kaufman**

(10) **Patent No.:** **US D887,829 S**

(45) **Date of Patent:** **\*\* Jun. 23, 2020**

(54) **CONTAINER**

(71) Applicant: **Exclusive Healing, INC.**, Galien, MI (US)

(72) Inventor: **Adam Kaufman**, Galien, MI (US)

(\*\*) Term: **15 Years**

(21) Appl. No.: **29/718,739**

(22) Filed: **Dec. 27, 2019**

(51) **LOC (12) Cl.** ..... **09-03**

(52) **U.S. Cl.**  
USPC ..... **D9/430**

(58) **Field of Classification Search**  
USPC ..... D9/414-423, 424-429, 430-433, 434, D9/456, 457, 711, 713, 721-722, 737, D9/756, 758, 759, 760; D20/10, 22, 27, D20/40, 42; D3/272-274, 290, 304, 305, D3/315  
CPC ... B65D 5/00; B65D 5/02; B65D 5/18; B65D 5/20

See application file for complete search history.

(56) **References Cited**

**U.S. PATENT DOCUMENTS**

- 3,079,062 A \* 2/1963 Craddock ..... B65D 5/029 229/116
- D253,659 S \* 12/1979 Weeks ..... D19/26
- D276,773 S \* 12/1984 Rodriguez ..... D11/131
- 4,944,402 A \* 7/1990 Wu ..... A45D 33/20 132/287
- D345,699 S \* 4/1994 Yang ..... D10/15
- D359,587 S \* 6/1995 Ross ..... D30/101
- D373,528 S \* 9/1996 Ser Tuen Wei ..... D9/418
- 5,628,396 A \* 5/1997 Weiner ..... B65D 5/029 206/216
- D380,388 S \* 7/1997 Rowe ..... D9/548
- D380,672 S \* 7/1997 Rowe ..... D9/529
- D382,207 S \* 8/1997 Rowe ..... D9/570
- D414,548 S \* 9/1999 Westcott ..... D23/284
- D426,426 S \* 6/2000 Williams ..... D7/507

- D445,721 S \* 7/2001 McLeish ..... D11/131.1
- D529,377 S \* 10/2006 Heiss ..... D9/431
- D536,856 S \* 2/2007 Davi ..... D1/117
- D603,245 S \* 11/2009 Bucci ..... D8/354
- D618,738 S \* 6/2010 Bodin ..... D21/505

(Continued)

**OTHER PUBLICATIONS**

Pyramid Yantra Benefits. [online] Published Sep. 24, 2017. Retrieved Mar. 25, 2020 from URL: [https://www.rudraksha-ratna.com/articles/yantra-pyramid.\\*](https://www.rudraksha-ratna.com/articles/yantra-pyramid.*)

*Primary Examiner* — Vy N Koenig

(74) *Attorney, Agent, or Firm* — Eversheds Sutherland (US) LLP

(57) **CLAIM**

The ornamental design for a container, as shown and described.

**DESCRIPTION**

FIG. 1 is an upper perspective view of a container showing my new design;

FIG. 2 is an upper perspective view of the container of FIG. 1 in an alternate configuration in which the pyramid portion of the container is inverted and the tip is disposed in an opening in the base portion which has an upper surface that is angled inward;

FIG. 3 is a side view thereof;

FIG. 4 is a cross-sectional view thereof taken along line 4-4 in FIG. 2;

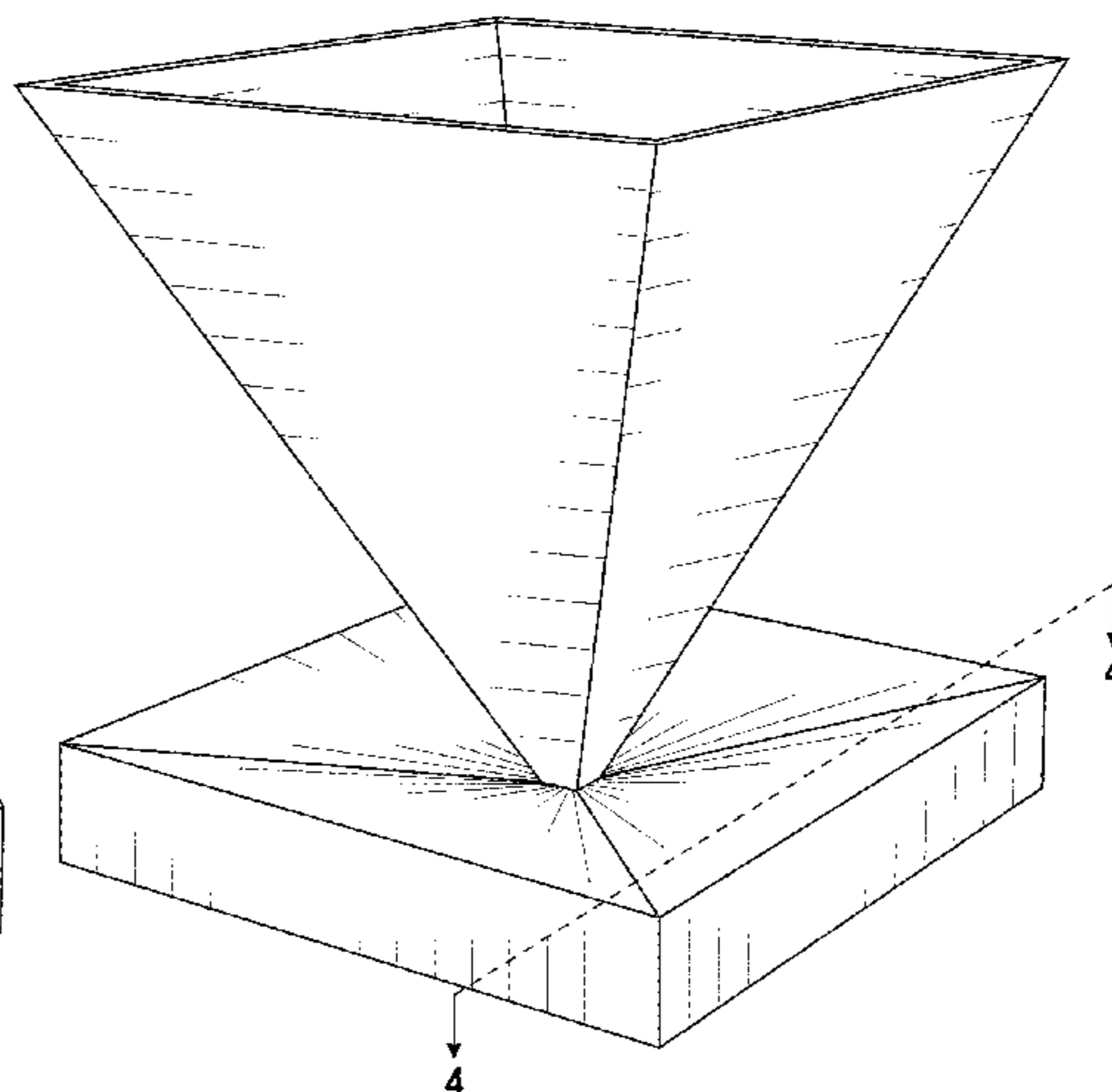
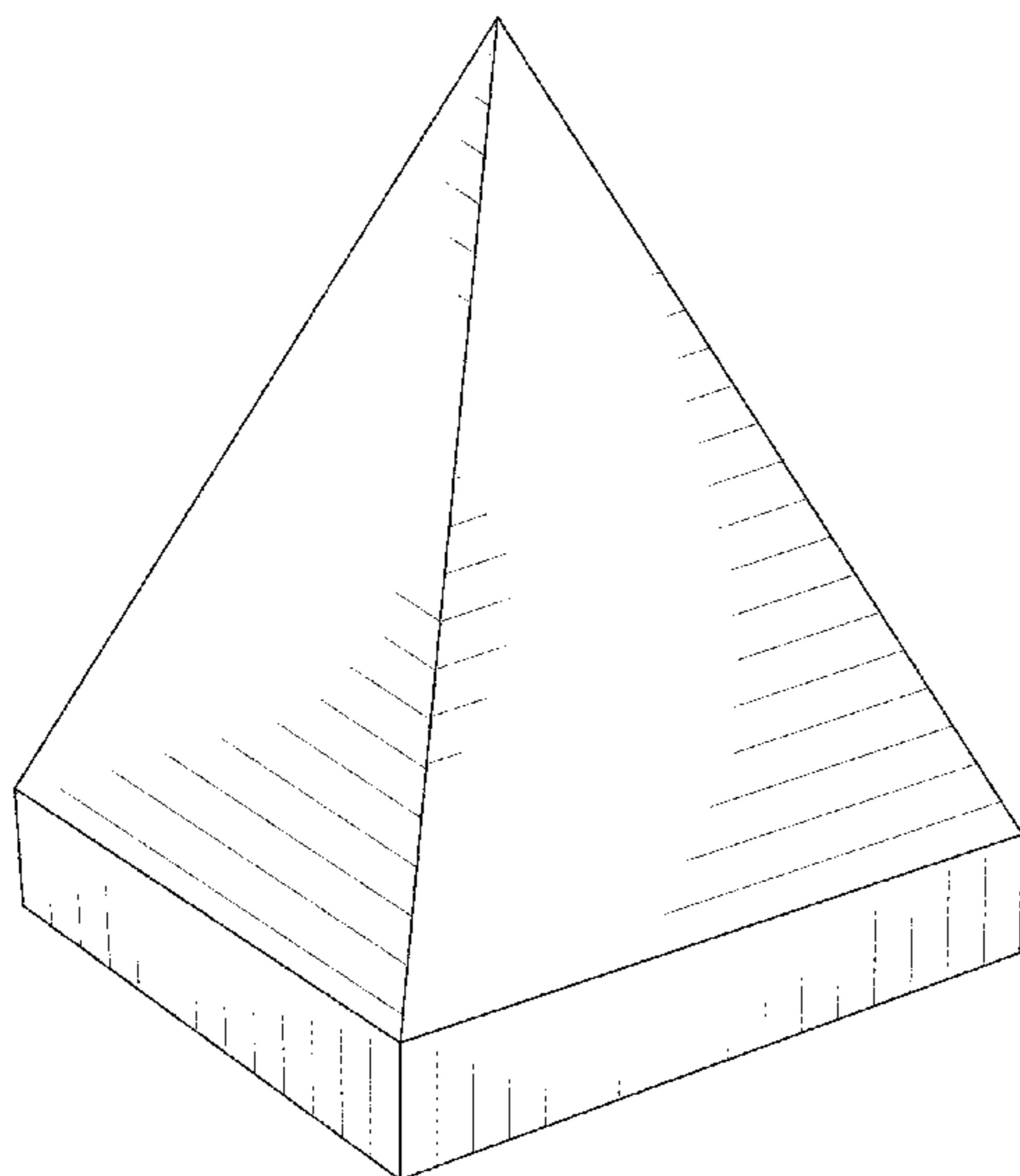
FIG. 5 is another side view thereof;

FIG. 6 is a top plan view thereof;

FIG. 7 is a bottom plan view thereof; and,

FIG. 8 is an upper perspective view of an alternate embodiment of the container of FIG. 1, in which the pyramid portion of the container is inverted and the tip is disposed in an opening in the base portion which has a flat upper surface.

**1 Claim, 8 Drawing Sheets**



(56)

**References Cited**

U.S. PATENT DOCUMENTS

D631,729 S \* 2/2011 Bucci ..... D21/505  
D660,685 S \* 5/2012 Bucci ..... D21/505  
8,176,877 B2 \* 5/2012 Lamstein ..... A01K 1/033  
119/498  
D682,677 S \* 5/2013 Dennin ..... D9/431  
D688,417 S \* 8/2013 Liu ..... D27/162  
D716,646 S \* 11/2014 Ng ..... D9/415  
9,889,356 B2 \* 2/2018 Pollard ..... A63B 57/207  
D832,712 S \* 11/2018 Faroudi ..... D9/546  
D835,614 S \* 12/2018 Kahn ..... D14/240  
2007/0089361 A1 \* 4/2007 Weder ..... A47G 7/063  
47/41.01

\* cited by examiner

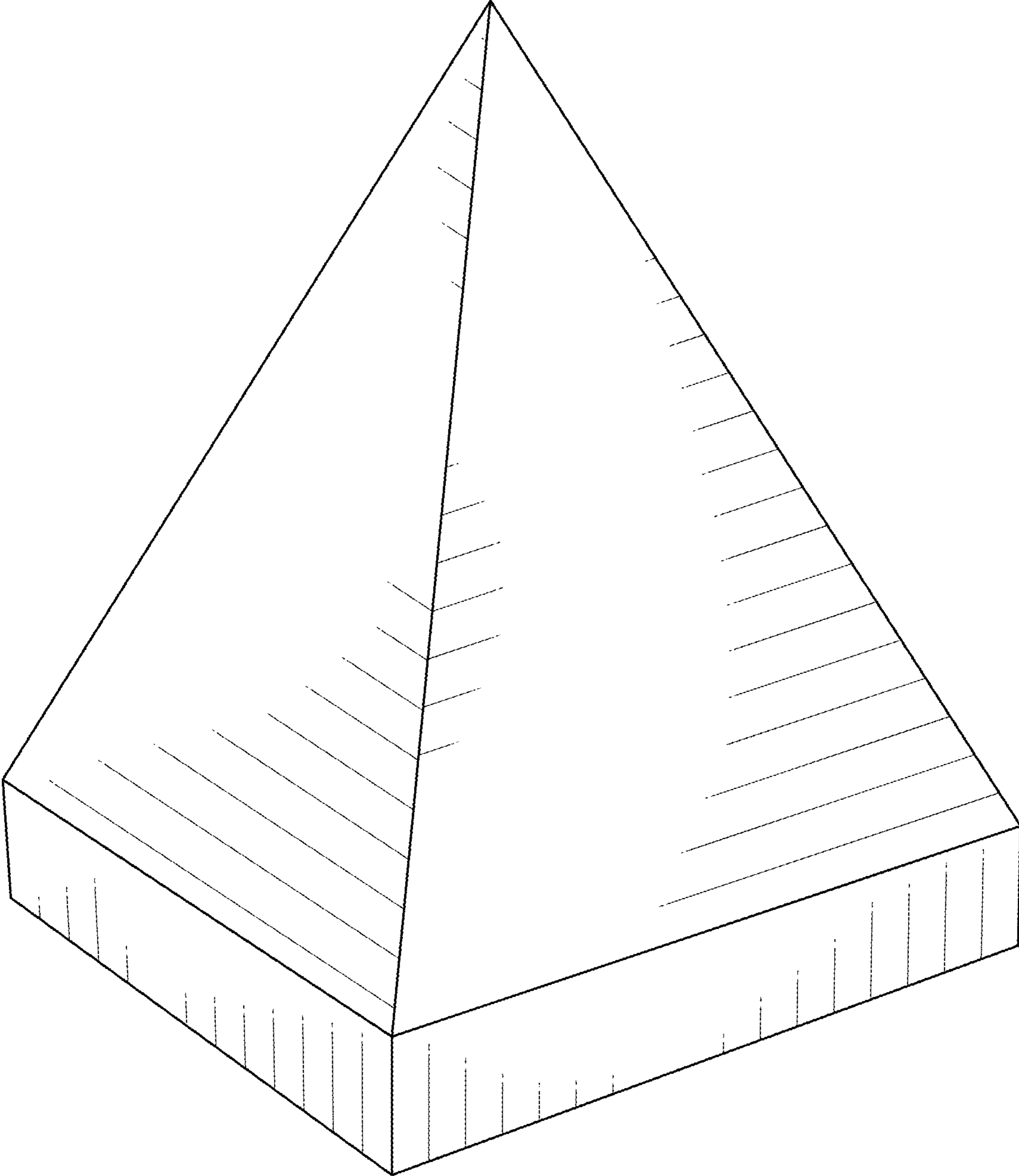


FIG. 1

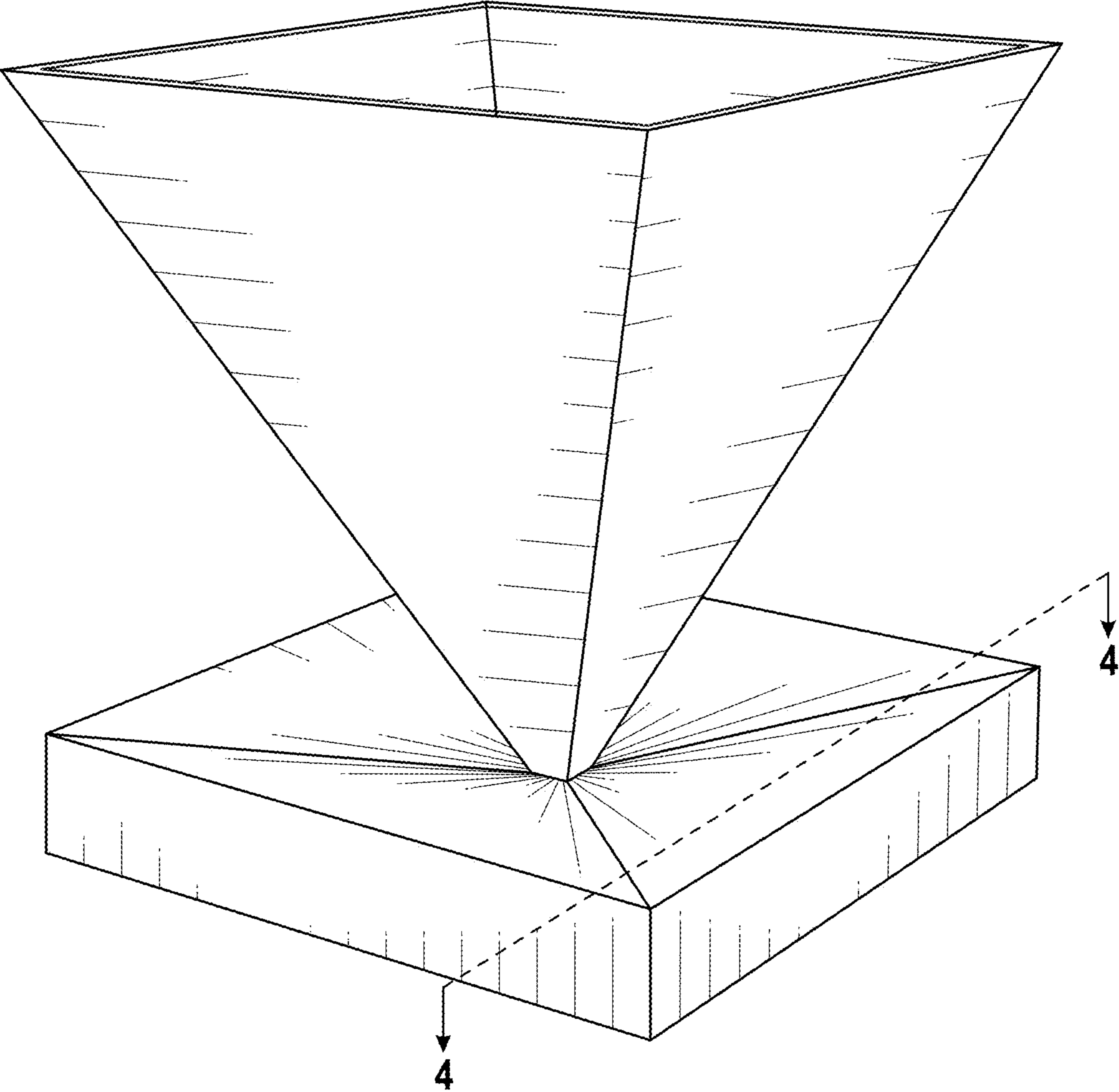


FIG. 2

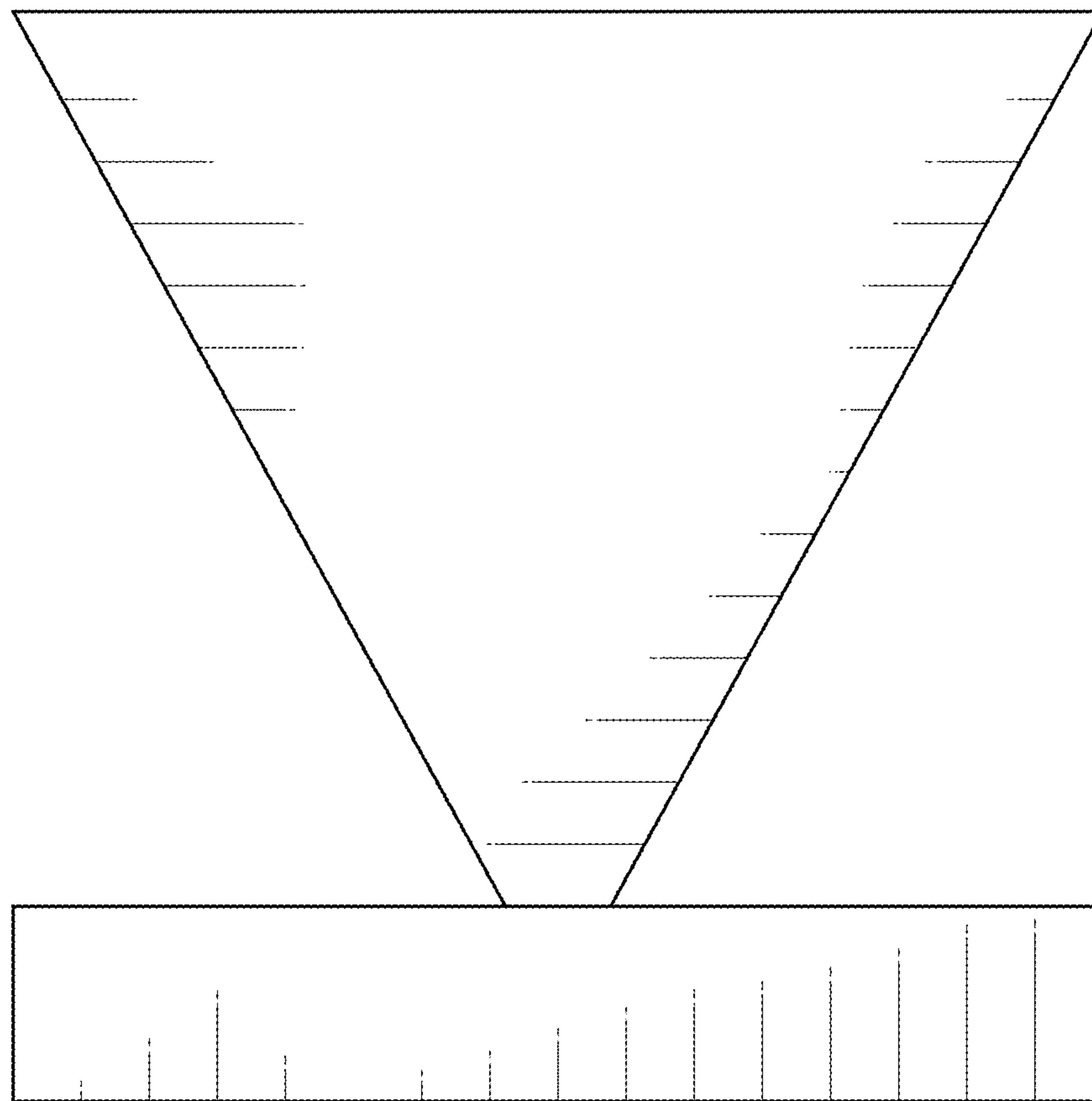


FIG. 3

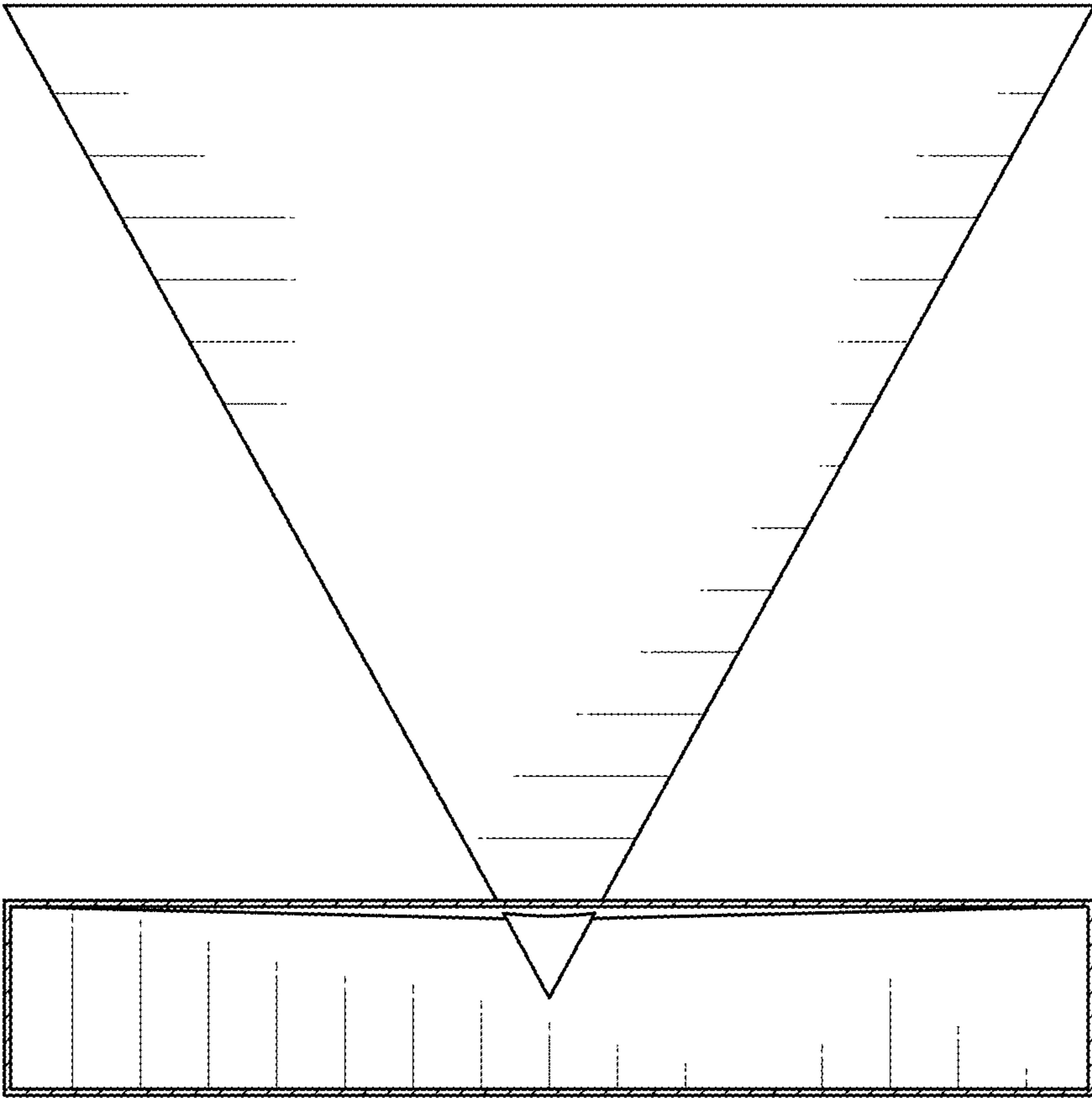


FIG. 4

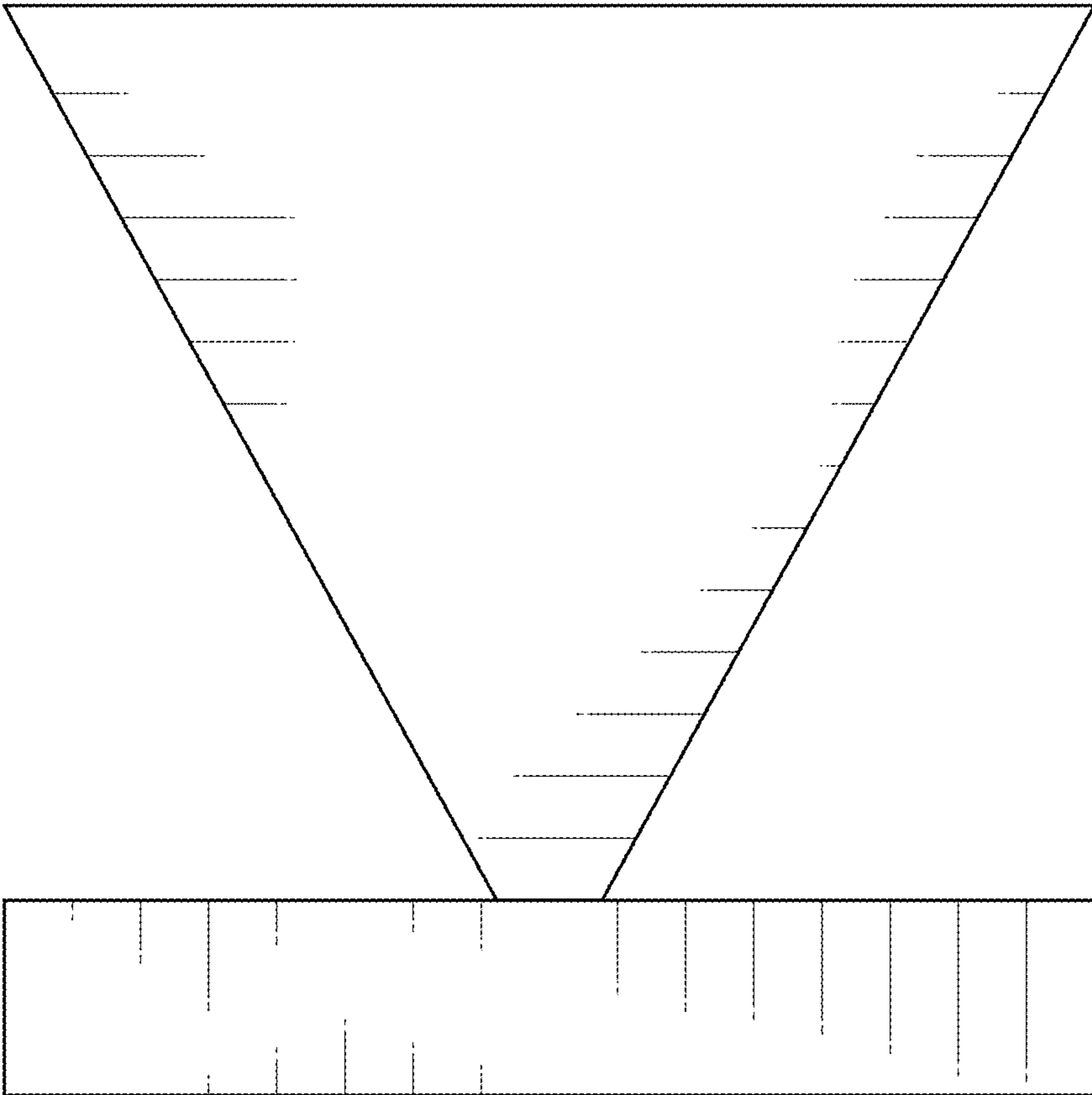


FIG. 5

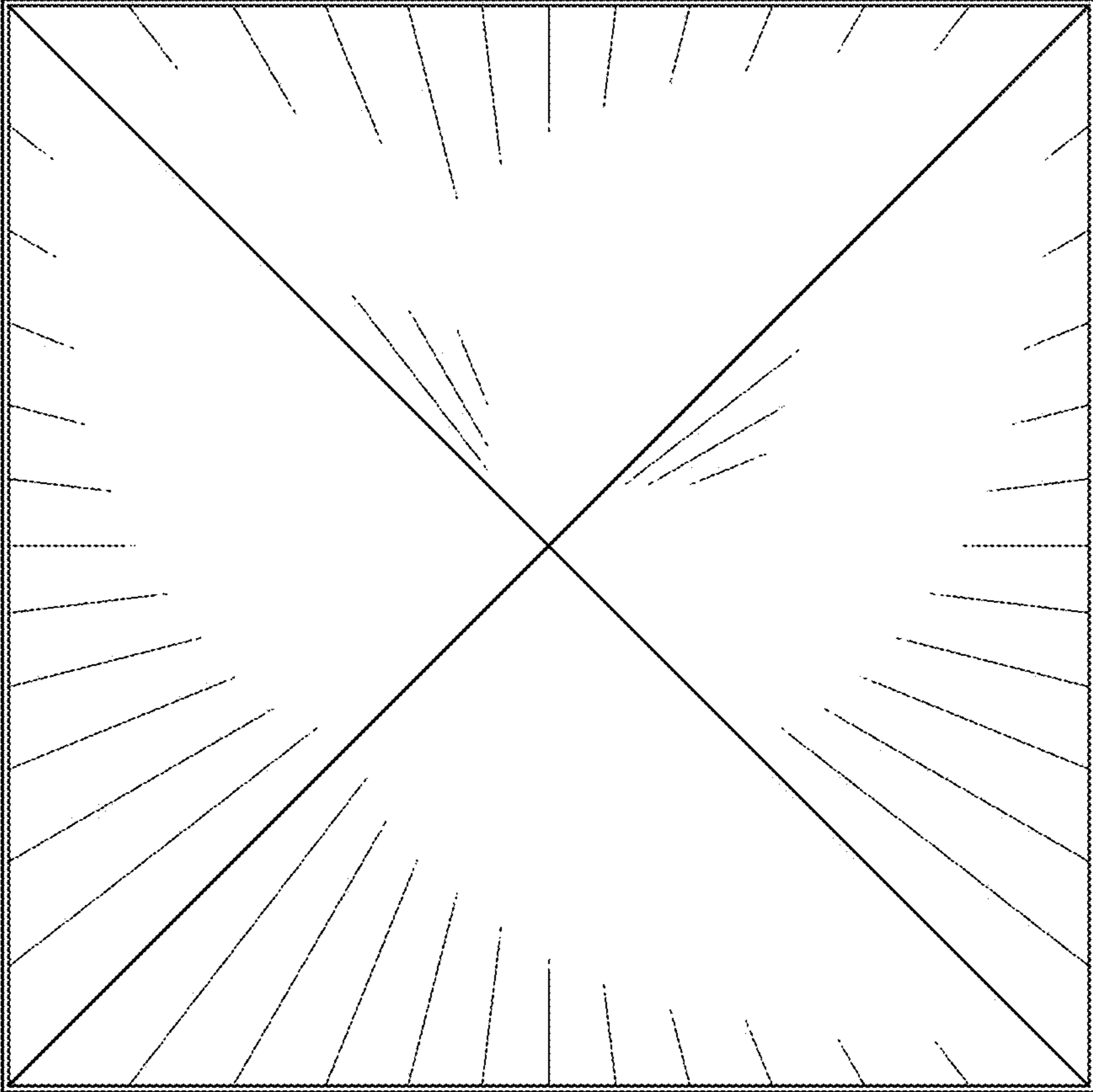


FIG. 6



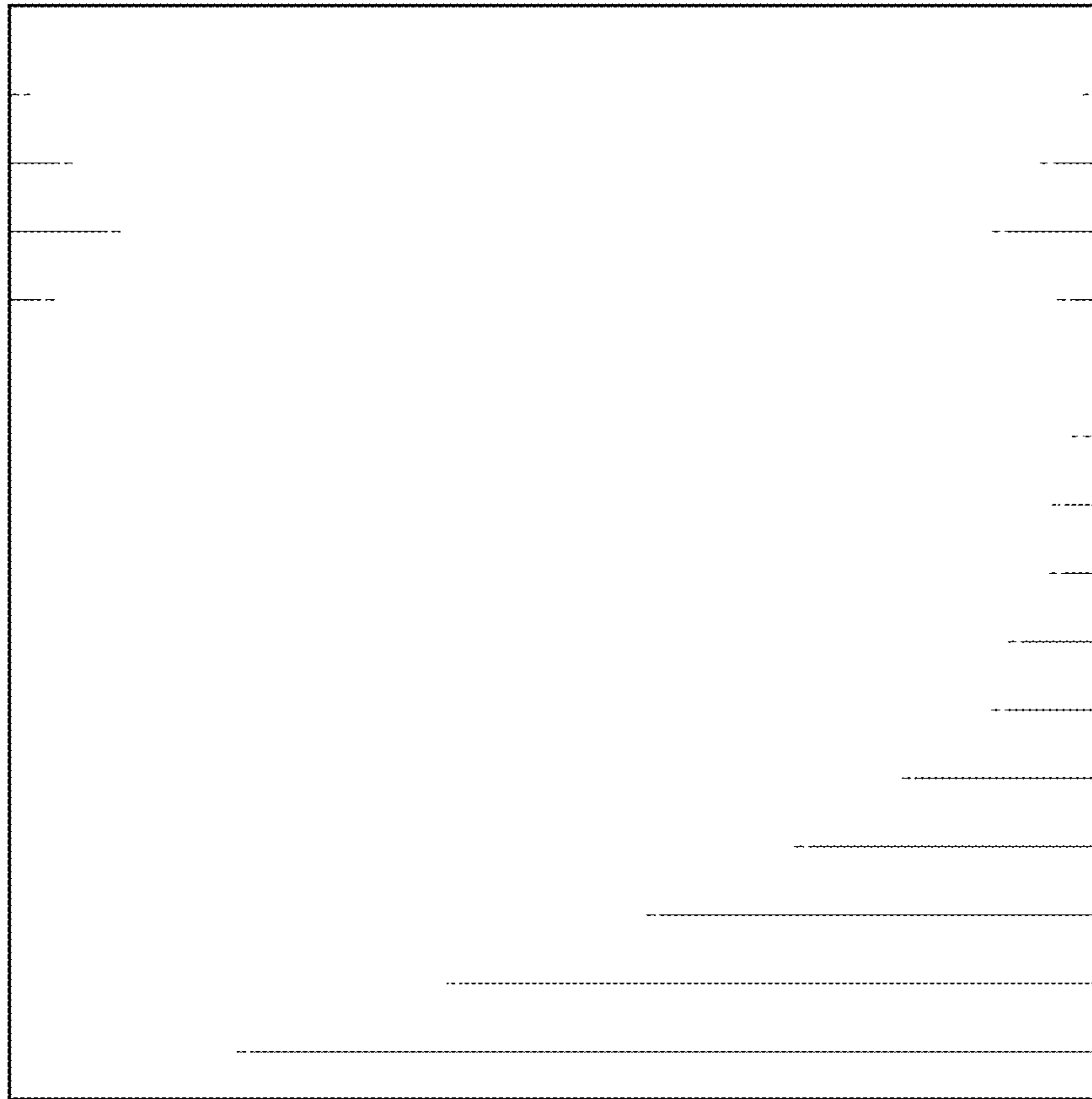


FIG. 7

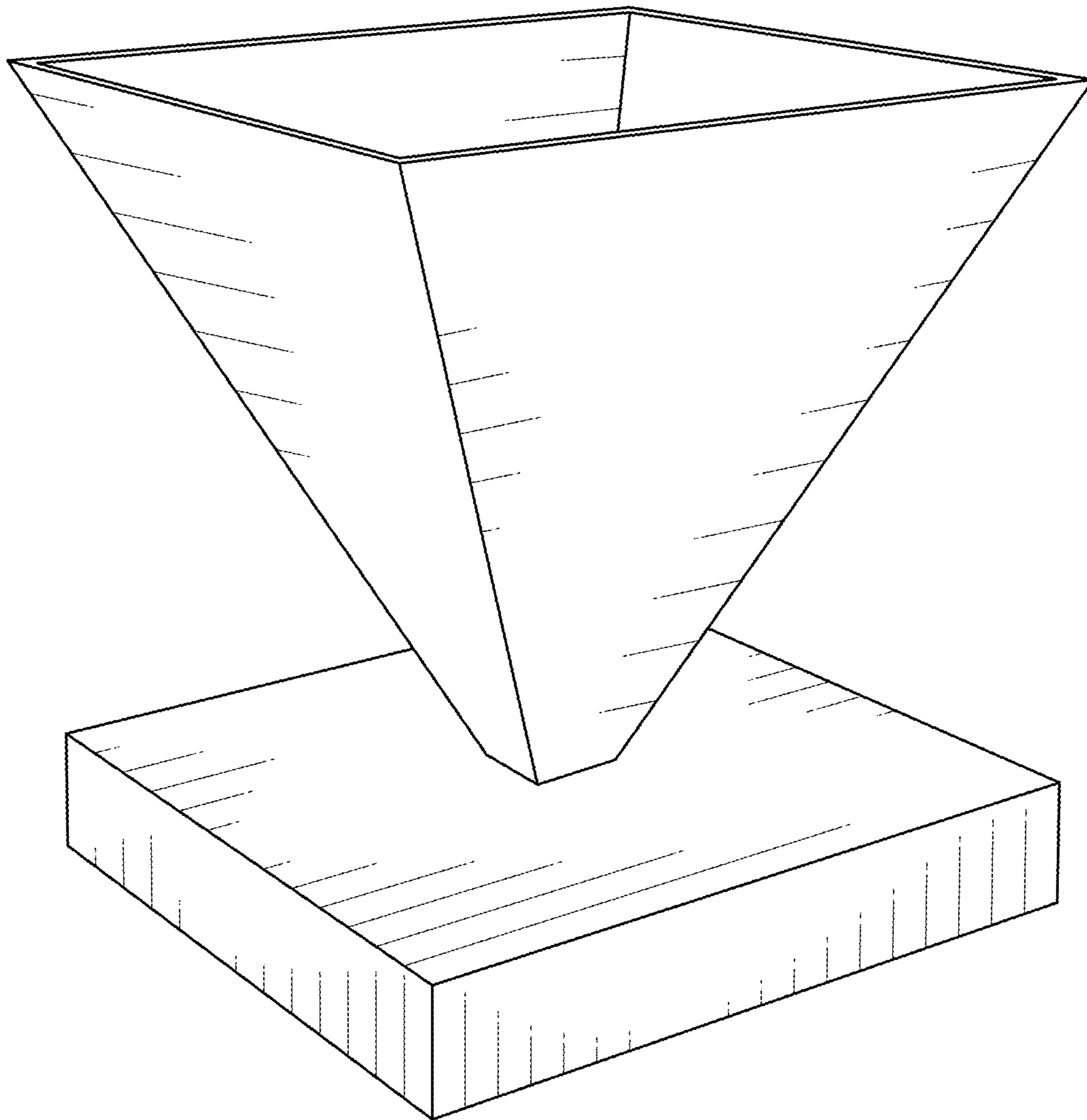


FIG. 8