



US00D887828S

(12) **United States Design Patent** (10) **Patent No.:** **US D887,828 S**
Delle Cese et al. (45) **Date of Patent:** **** Jun. 23, 2020**

(54) **PACKAGING**

(71) Applicant: **Apple Inc.**, Cupertino, CA (US)

(72) Inventors: **Francesca Amor Delle Cese**, San Francisco, CA (US); **Lorraine Y. Tang**, San Francisco, CA (US); **Bhautik H. Mehta**, Mountain View, CA (US); **Mark T. Uyeda**, Campbell, CA (US); **Alissa Anderson**, San Francisco, CA (US); **Jonathan Berk**, Mountain View, CA (US); **Margaret Madigan Burke**, Sunnyvale, CA (US); **Jack Wanderman**, San Francisco, CA (US); **Kevin Scott Fetterman**, Los Altos, CA (US)

(73) Assignee: **Apple Inc.**, Cupertino, CA (US)

(**) Term: **15 Years**

(21) Appl. No.: **29/681,908**

(22) Filed: **Feb. 28, 2019**

Related U.S. Application Data

(63) Continuation of application No. 29/643,333, filed on Apr. 6, 2018, now Pat. No. Des. 842,091, which is a continuation of application No. 29/588,231, filed on Dec. 19, 2016, now Pat. No. Des. 814,919, which is a continuation of application No. 29/519,936, filed on Mar. 9, 2015, now Pat. No. Des. 774,899, which is a continuation-in-part of application No. 29/519,821, filed on Mar. 9, 2015, now Pat. No. Des. 779,932.

(51) **LOC (12) Cl.** **09-03**

(52) **U.S. Cl.**
USPC **D9/419**

(58) **Field of Classification Search**
USPC D9/414-419, 432, 737, 456, 434, 444;
D11/131.1
CPC B65D 85/40; B65D 73/0078; B65D 61/00
See application file for complete search history.

(56) **References Cited**

U.S. PATENT DOCUMENTS

1,514,379 A	11/1924	Fleischer
3,381,876 A	5/1968	Biggins
3,679,093 A	7/1972	Chang
D308,941 S	7/1990	Kong
D356,499 S	3/1995	Cautereels et al.

(Continued)

Primary Examiner — Rhea Shields
(74) *Attorney, Agent, or Firm* — Sterne, Kessler, Goldstein & Fox P.L.L.C.

(57) **CLAIM**

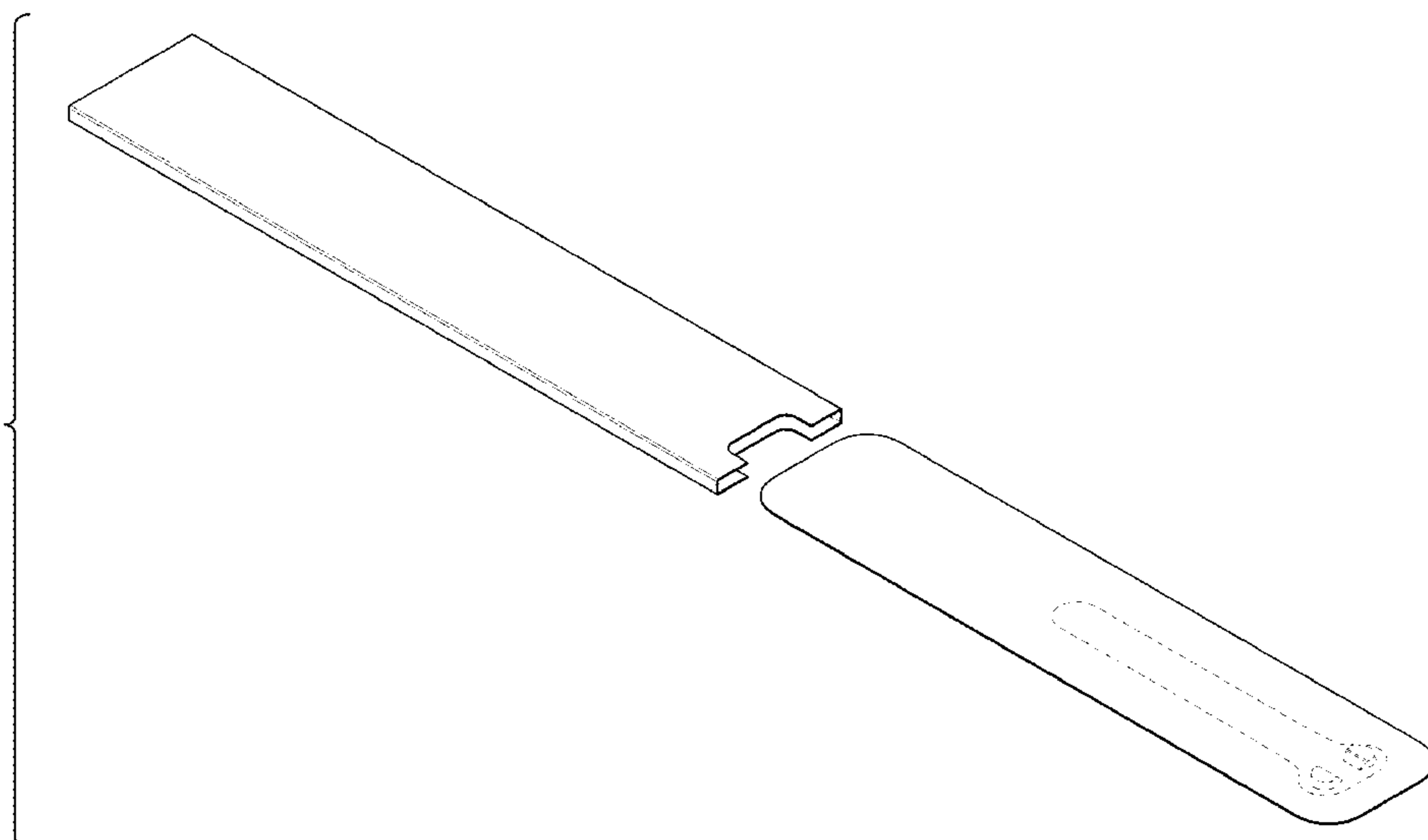
The ornamental design for a packaging, as shown and described.

DESCRIPTION

FIG. 1 is a top front exploded perspective view of packaging showing the claimed design;
FIG. 2 is a top front perspective view of the sleeve of FIG. 1;
FIG. 3 is a front view thereof;
FIG. 4 is a rear view thereof;
FIG. 5 is a left side view thereof;
FIG. 6 is a right side view thereof;
FIG. 7 is a top view thereof;
FIG. 8 is a bottom view thereof;
FIG. 9 is a top front perspective view of the accessory holder insert of FIG. 1;
FIG. 10 is a front view thereof;
FIG. 11 is a rear view thereof;
FIG. 12 is a left side view thereof;
FIG. 13 is a right side view thereof;
FIG. 14 is a top view thereof; and,
FIG. 15 is a bottom view thereof.

The broken lines in the figures show portions of the packaging that form no part of the claimed design.

1 Claim, 8 Drawing Sheets



(56)

References Cited

U.S. PATENT DOCUMENTS

5,441,152 A 8/1995 Estes
 D368,221 S 3/1996 Montague
 D372,582 S 8/1996 Beaty et al.
 D398,524 S 9/1998 Waterhouse
 6,305,539 B1 10/2001 Sanders, Jr.
 D527,674 S * 9/2006 Biglarians D11/131.1
 D564,830 S 3/2008 Holmes
 D605,469 S 12/2009 Wingfield et al.
 D625,185 S * 10/2010 Clark D9/444
 D647,532 S 10/2011 Busch
 D661,186 S * 6/2012 Snyder 435/447
 D679,181 S 4/2013 Vogel et al.
 D688,027 S 8/2013 Smith et al.
 D698,199 S 1/2014 Yessin et al.
 D704,987 S 5/2014 Stamper et al.
 D714,143 S 9/2014 Hodge
 D734,898 S 7/2015 Lutz et al.
 D735,577 S 8/2015 Lee

D738,027 S 9/2015 Wang et al.
 D740,117 S * 10/2015 Nichols D9/456
 D741,069 S 10/2015 Vanderheyden et al.
 D744,855 S 12/2015 Akana et al.
 D746,599 S 1/2016 Olson et al.
 D764,285 S 8/2016 Akana et al.
 D773,927 S 12/2016 Cernokus et al.
 D774,899 S * 12/2016 Tang D9/419
 D779,932 S * 2/2017 Delle Cese D9/419
 D789,800 S * 6/2017 Cernokus D9/737
 D800,549 S * 10/2017 Delle Cese D9/419
 D802,414 S * 11/2017 Delle Cese D9/419
 D806,537 S * 1/2018 Cernokus D9/432
 D814,919 S * 4/2018 Delle Cese D9/419
 10,081,485 B2 * 9/2018 Cernokus B65D 85/40
 D830,169 S * 10/2018 Akana D9/434
 D832,103 S * 10/2018 Anderson D9/456
 D842,091 S * 3/2019 Delle Cese D9/419
 2016/0264297 A1 * 9/2016 Cernokus B65D 85/40
 2018/0044102 A1 * 2/2018 Pincus B65D 73/0078
 2018/0273262 A1 * 9/2018 McCarren B65D 61/00

* cited by examiner

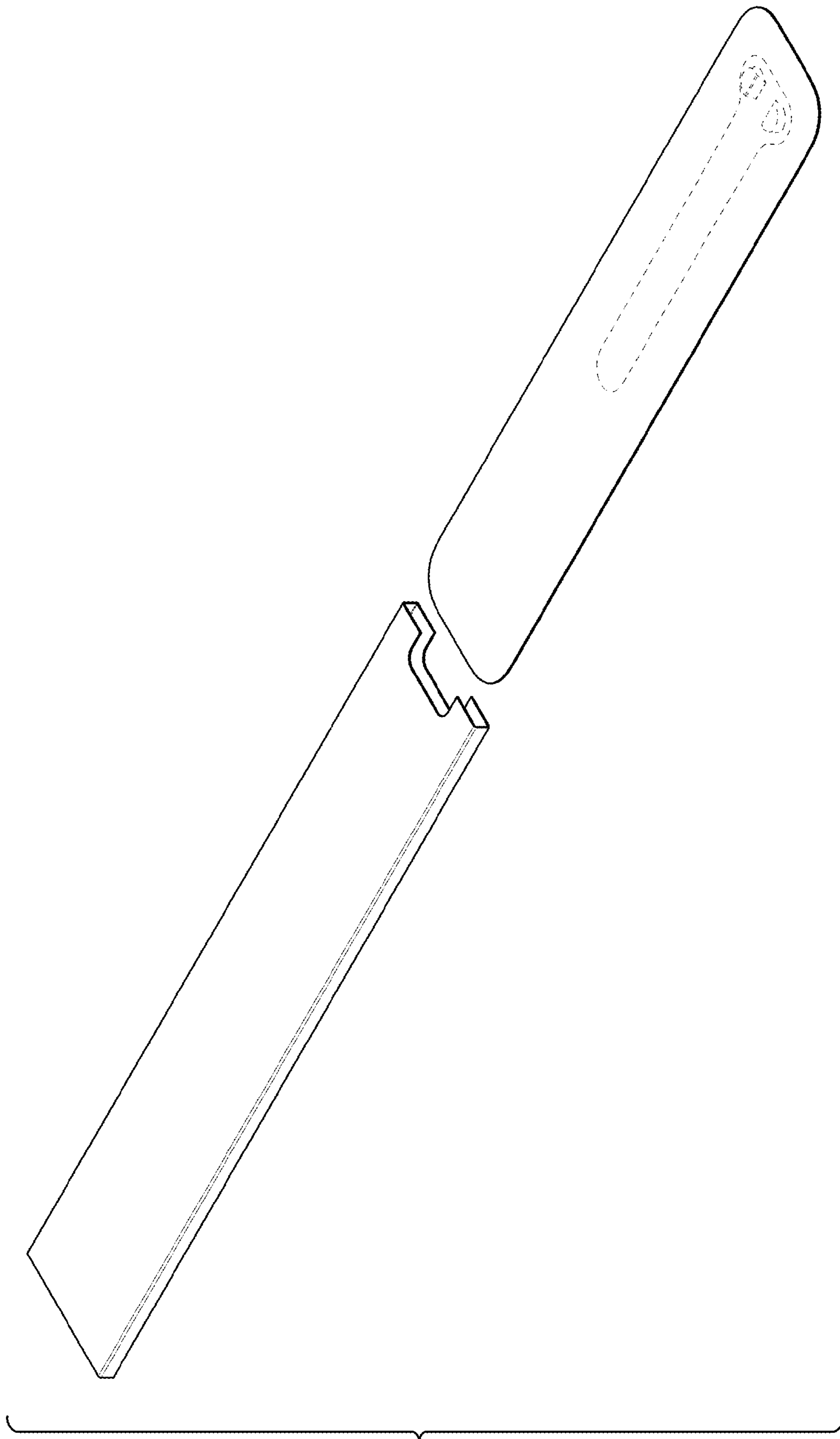


FIG. 1

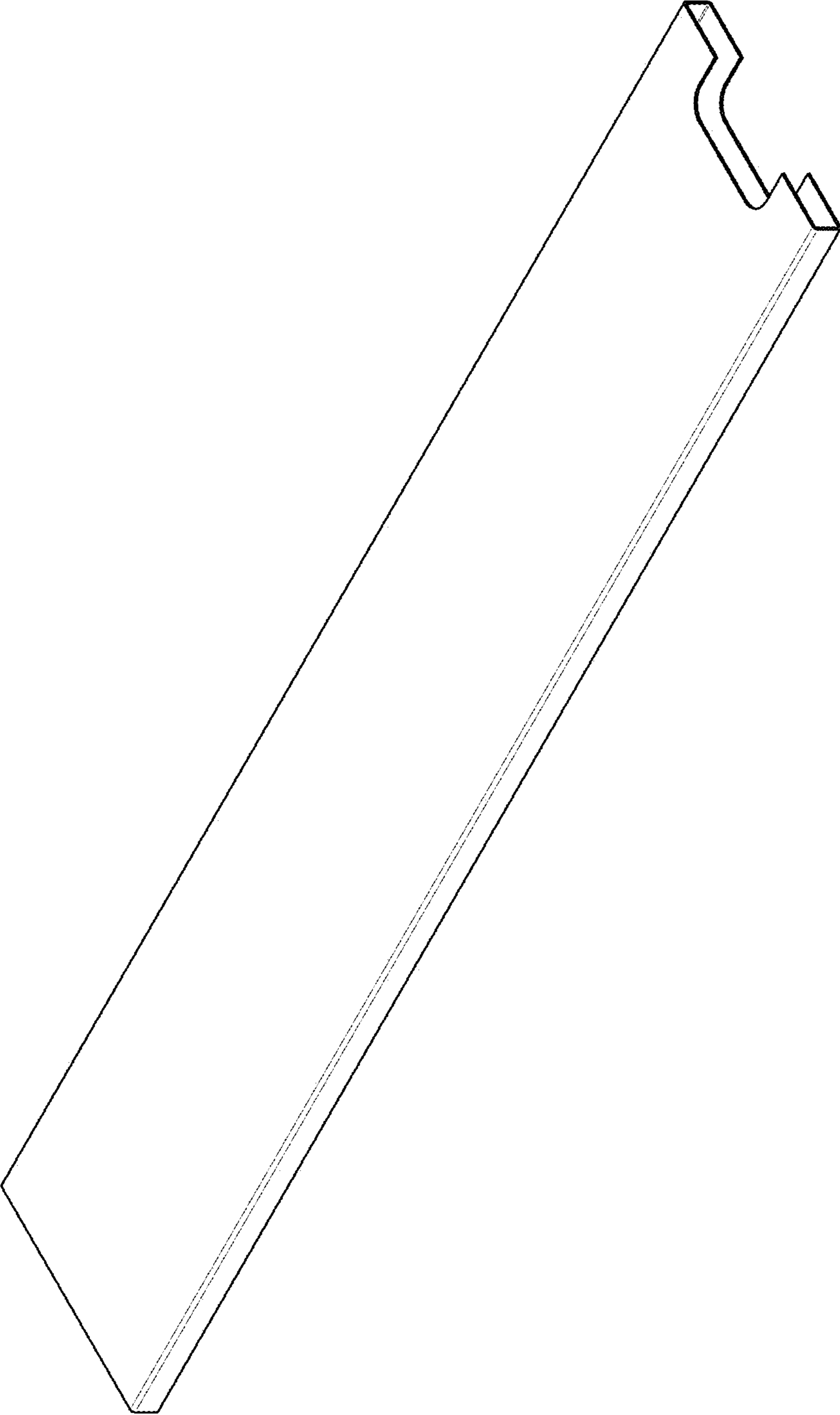


FIG. 2



FIG. 3

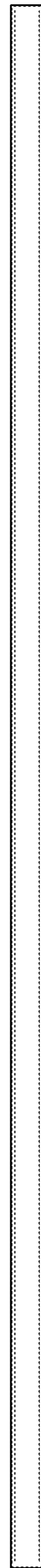


FIG. 4



FIG. 5



FIG. 6

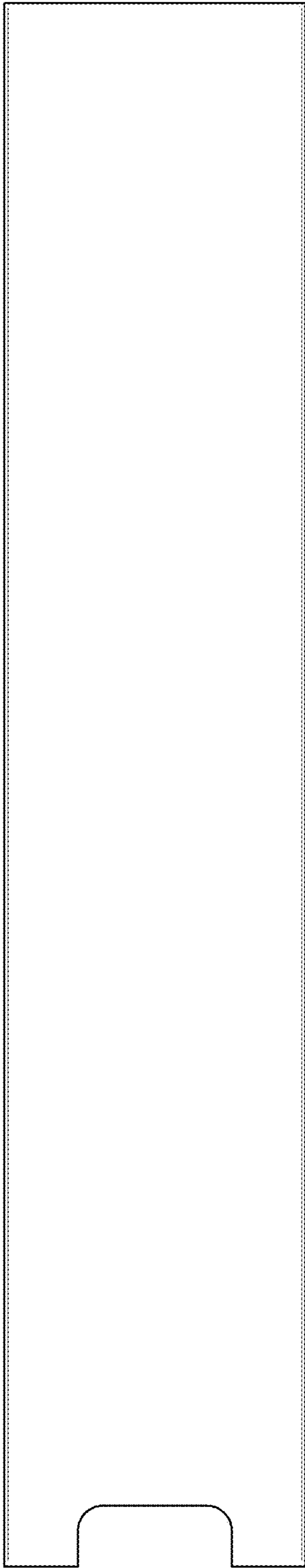


FIG. 7

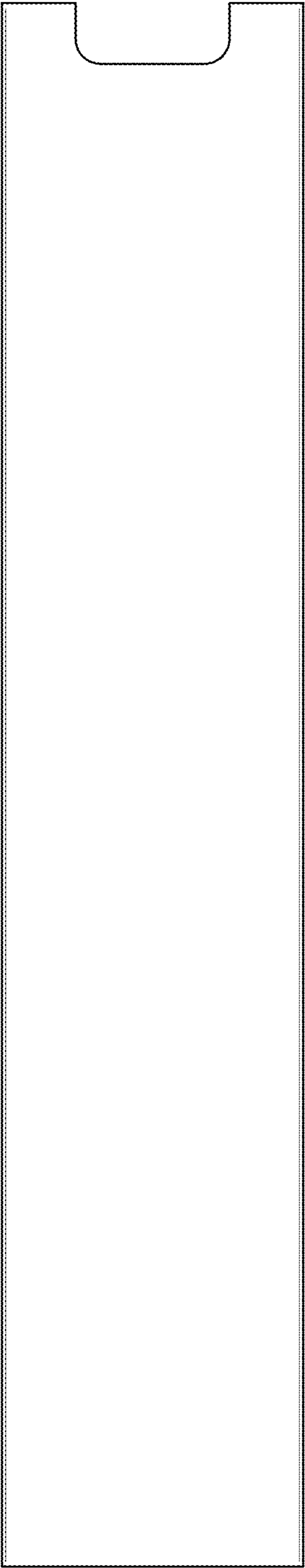


FIG. 8

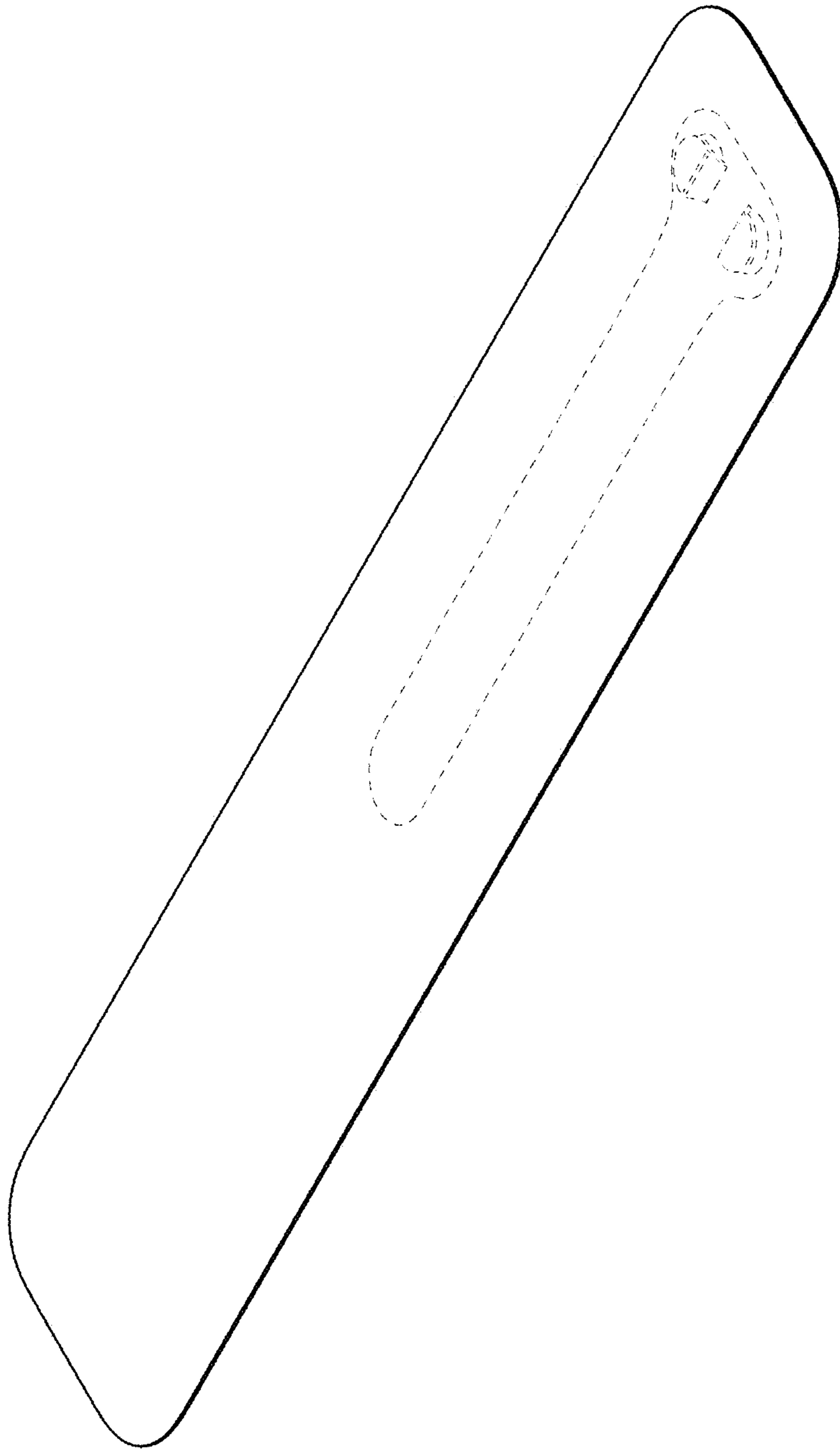


FIG. 9



FIG. 10



FIG. 11



FIG. 12



FIG. 13

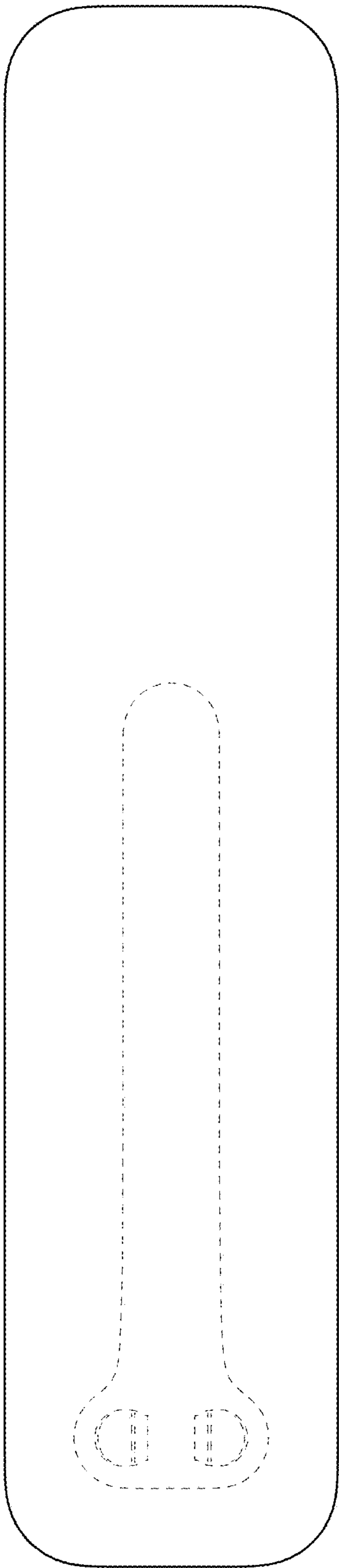


FIG. 14



FIG. 15