



US00D887826S

(12) **United States Design Patent** (10) **Patent No.:** **US D887,826 S**  
**Brandt et al.** (45) **Date of Patent:** **\*\* \*Jun. 23, 2020**

- (54) **FIXING DEVICE FOR A FLASHLIGHT** 4,407,472 A \* 10/1983 Beck ..... A62C 33/04  
24/339
- (71) Applicant: **Ledlenser Corporation Ltd., Yangjiang (CN)** D295,723 S \* 5/1988 Shioda ..... D8/380  
4,907,769 A \* 3/1990 Hunley, Jr. .... F21V 21/06  
248/122.1
- (72) Inventors: **Michael Sebastian Brandt, Yangjiang (CN); Mohit Arora, Yangjiang (CN); Qingzhong Li, Yangjiang (CN)** 5,103,384 A \* 4/1992 Drohan ..... F16M 11/40  
362/190
- (73) Assignee: **Ledlenser Corporation Ltd., Yangjiang (CN)** D363,017 S \* 10/1995 Noble ..... D8/395  
D363,211 S \* 10/1995 Noble ..... D8/371  
D672,229 S \* 12/2012 Reid ..... D8/396  
D686,058 S \* 7/2013 Paik ..... D8/356  
D732,009 S \* 6/2015 Bak ..... D14/229  
D799,953 S \* 10/2017 Papafagos ..... D8/396
- (\*) Notice: This patent is subject to a terminal disclaimer. 2014/0177239 A1\* 6/2014 Wyatt ..... F21V 19/00  
362/382

\* cited by examiner

(\*\*) Term: **15 Years**

*Primary Examiner* — Nathan M Johnston

(21) Appl. No.: **29/595,762**

(74) *Attorney, Agent, or Firm* — Wayne & Ken, LLC;

(22) Filed: **Mar. 2, 2017**

Tony Hom

(30) **Foreign Application Priority Data**

(57) **CLAIM**

Jan. 20, 2017 (CN) ..... 2017 3 0023004

The ornamental design for a fixing device for a flashlight, as shown and described.

(51) **LOC (12) Cl.** ..... **08-08**

**DESCRIPTION**

(52) **U.S. Cl.**

USPC ..... **D8/396**

(58) **Field of Classification Search**

USPC ..... D8/71–74, 394–399, 354, 355, 356, 59;  
D7/683, 685, 686; D15/140; D24/143;  
D6/684; 248/62, 63, 72, 74.1, 689,  
248/124.2; 81/487, 385, 386, 388–390;  
269/3, 4, 6, 143, 165, 240, 243, 246–249,  
269/254 R, 147–149; D26/113  
CPC ..... B25B 1/00; B25B 5/00; B25B 1/2478;  
B25B 1/103; B25B 1/22; B25B 1/2405;  
B25B 1/2457

FIG. 1 is a perspective view of a fixing device for a flashlight showing our new design;  
FIG. 2 is a front view thereof;  
FIG. 3 is a rear view thereof;  
FIG. 4 is a top view thereof;  
FIG. 5 is a bottom view thereof;  
FIG. 6 is a left side view thereof;  
FIG. 7 is a right side view thereof; and,  
FIG. 8 is a perspective view of the fixing device for a flashlight in alternate position in use.

See application file for complete search history.

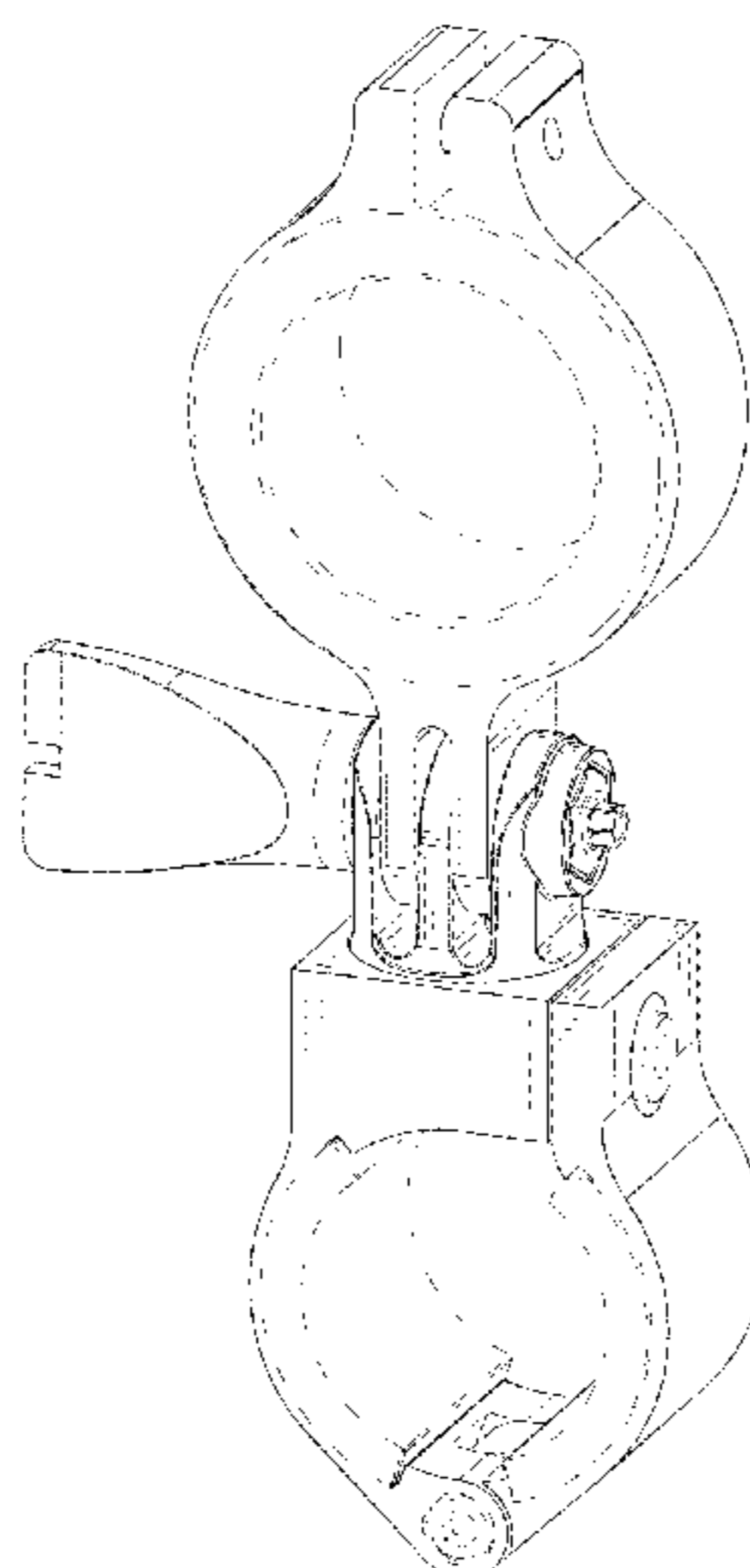
The broken line showing of parts of the drawings is included for the purpose of illustrating use and environment and forms no part of the claimed design. The dash dot lines immediately adjacent to the claimed areas in the views represent the boundaries of the claimed design. None of the broken lines form any part of the claimed design.

(56) **References Cited**

**U.S. PATENT DOCUMENTS**

- D219,219 S \* 11/1970 Orrin ..... D13/120
- D267,231 S \* 12/1982 Guem, Jr. .... D21/775

**1 Claim, 8 Drawing Sheets**



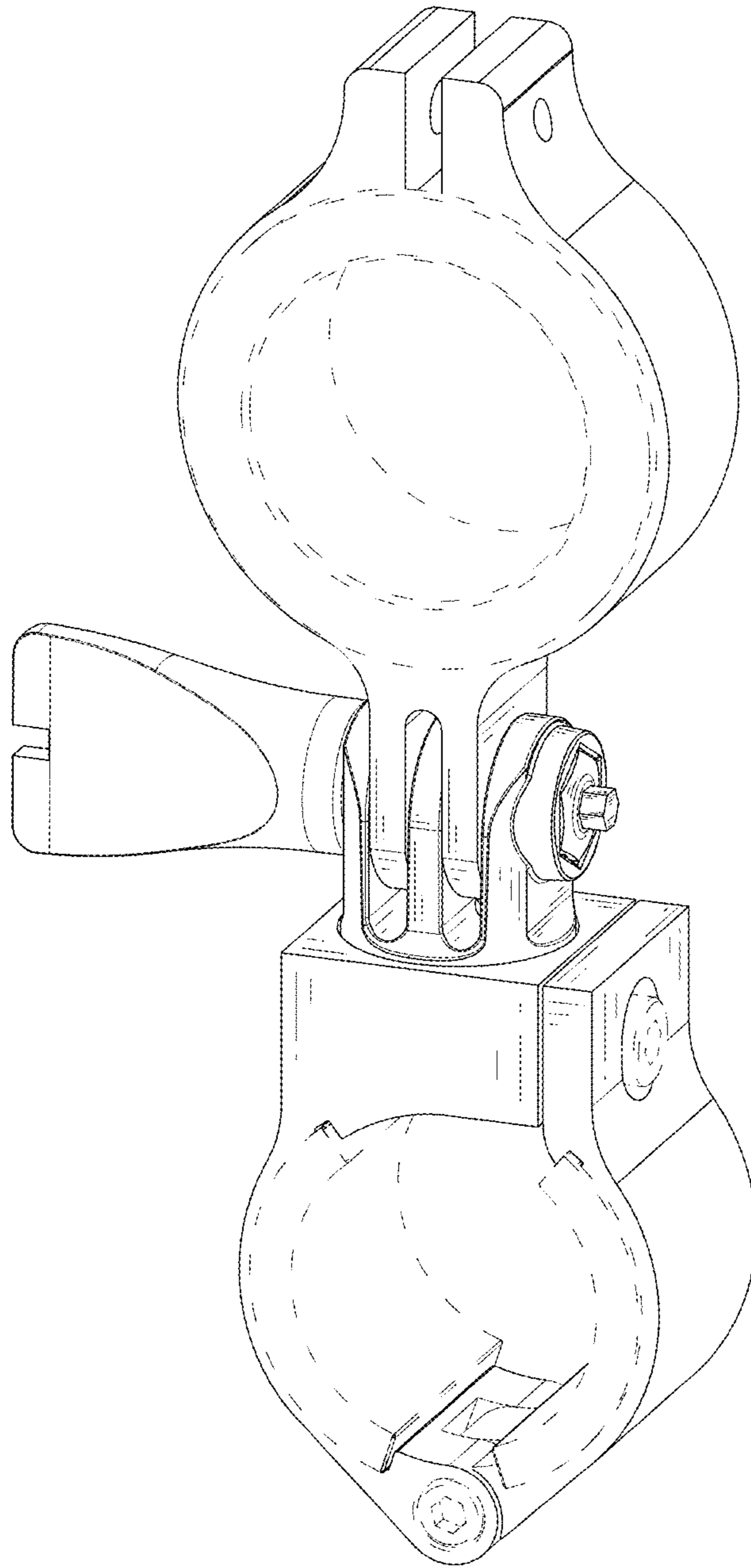


FIG. 1

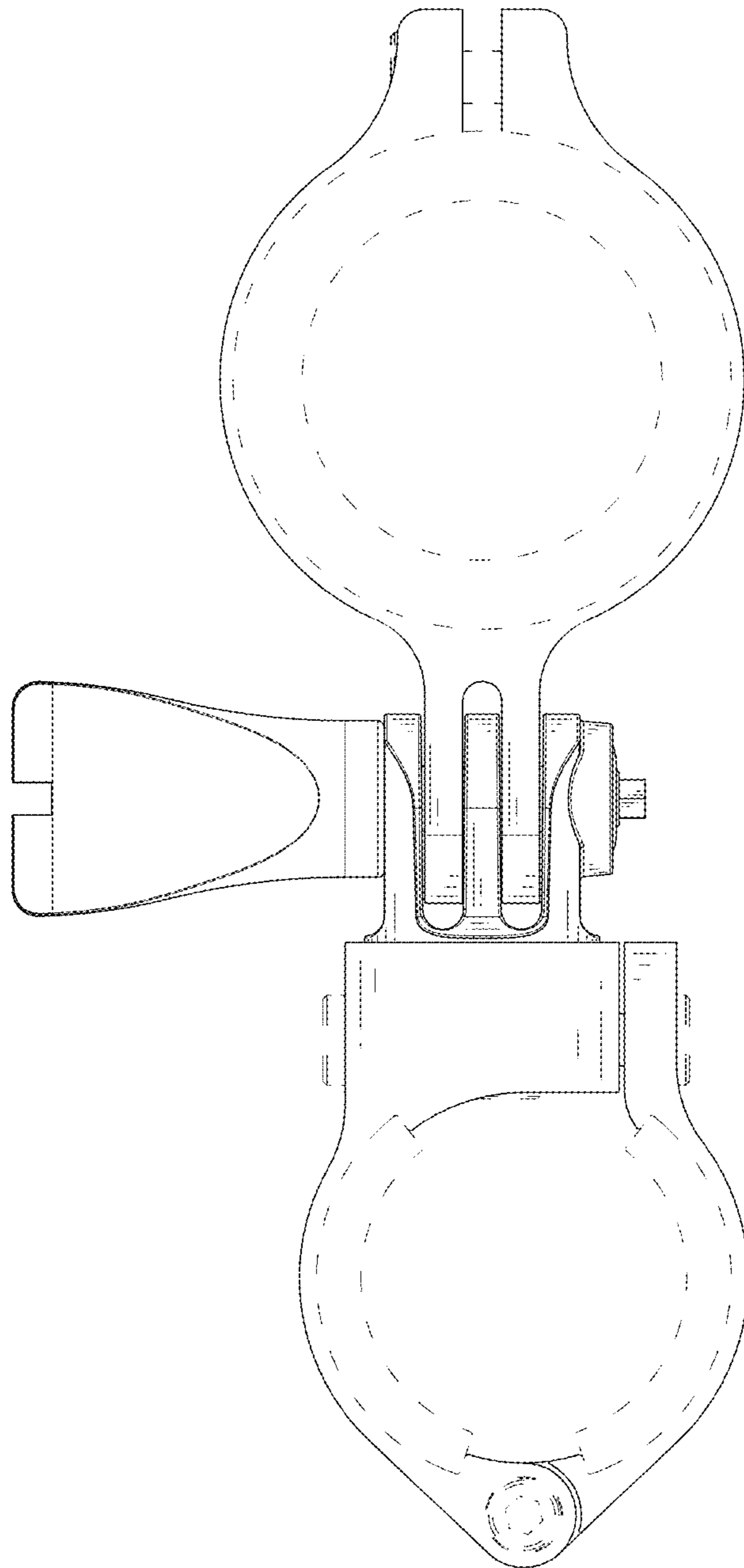


FIG. 2

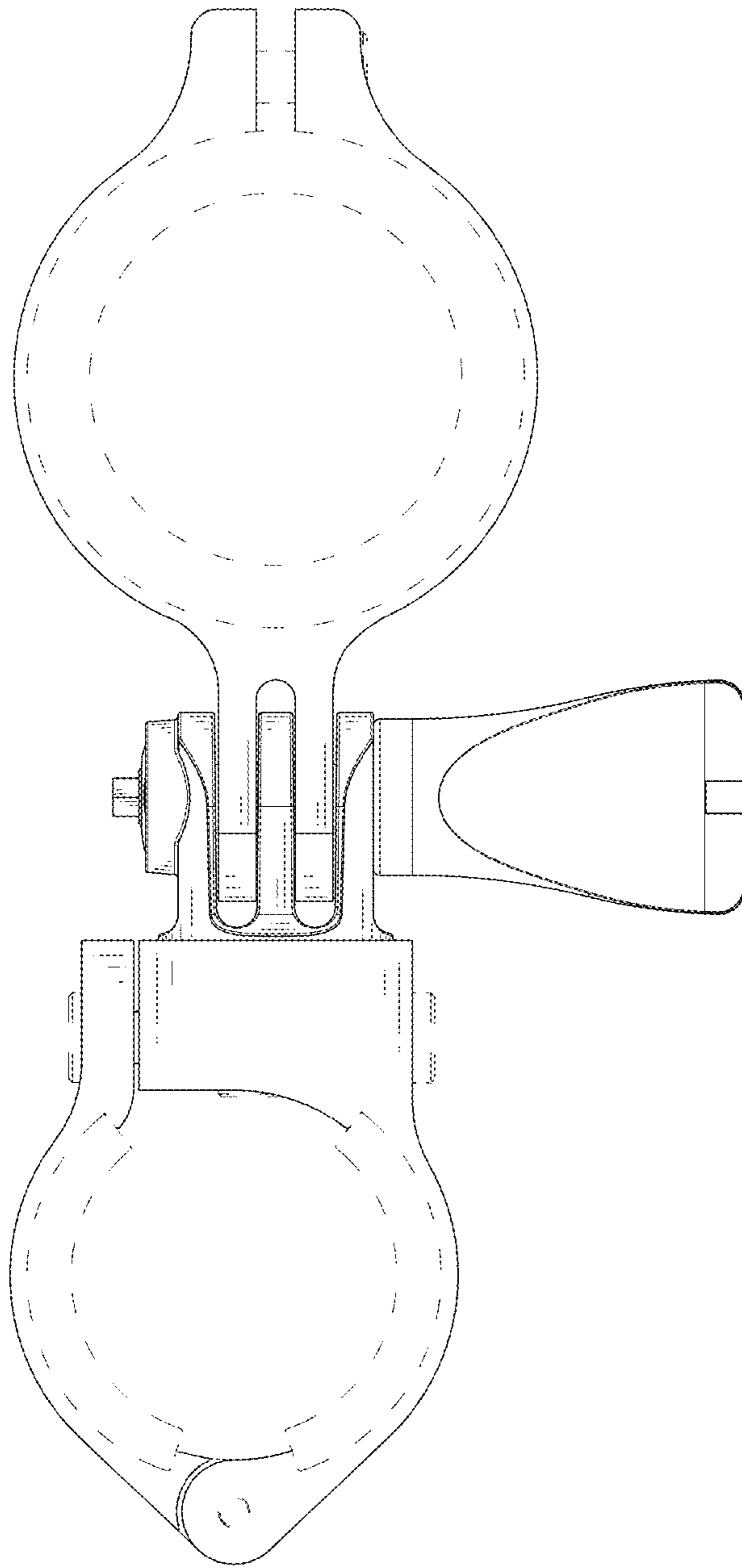


FIG. 3

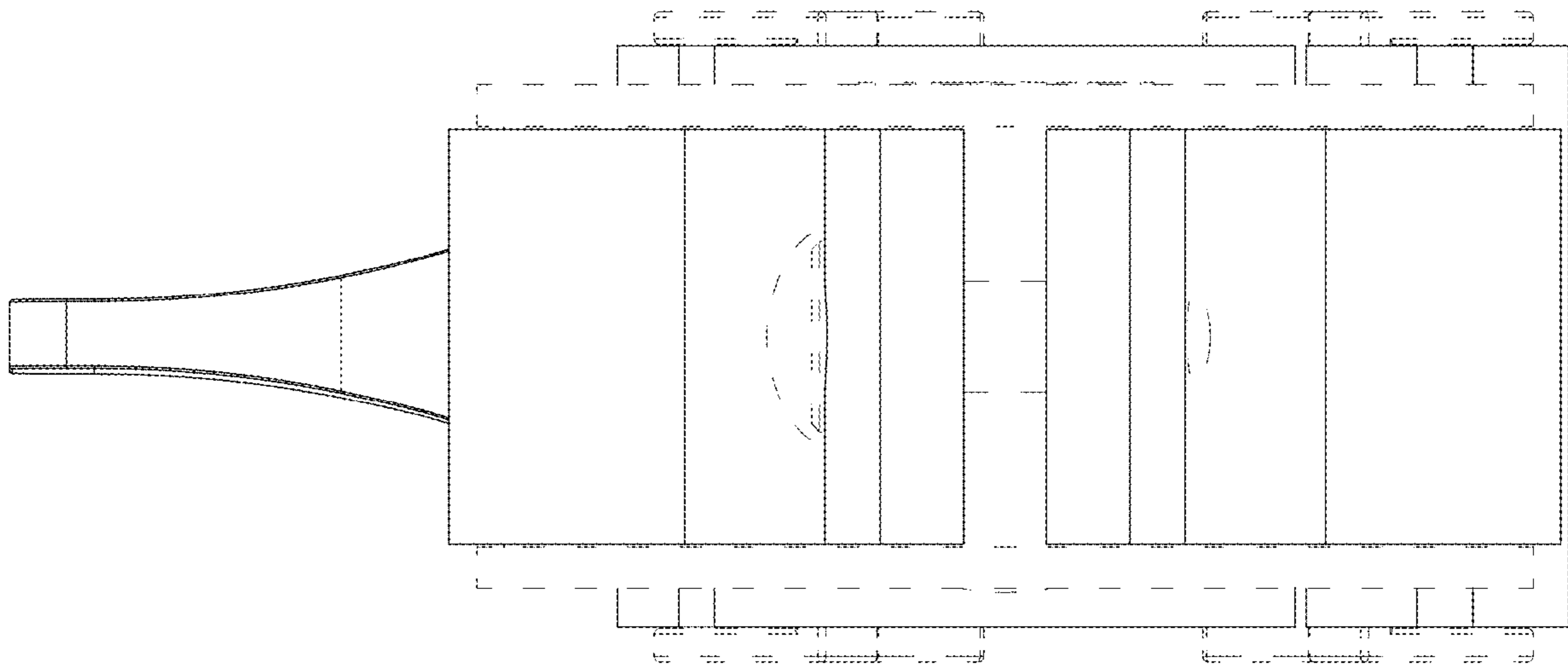


FIG. 4

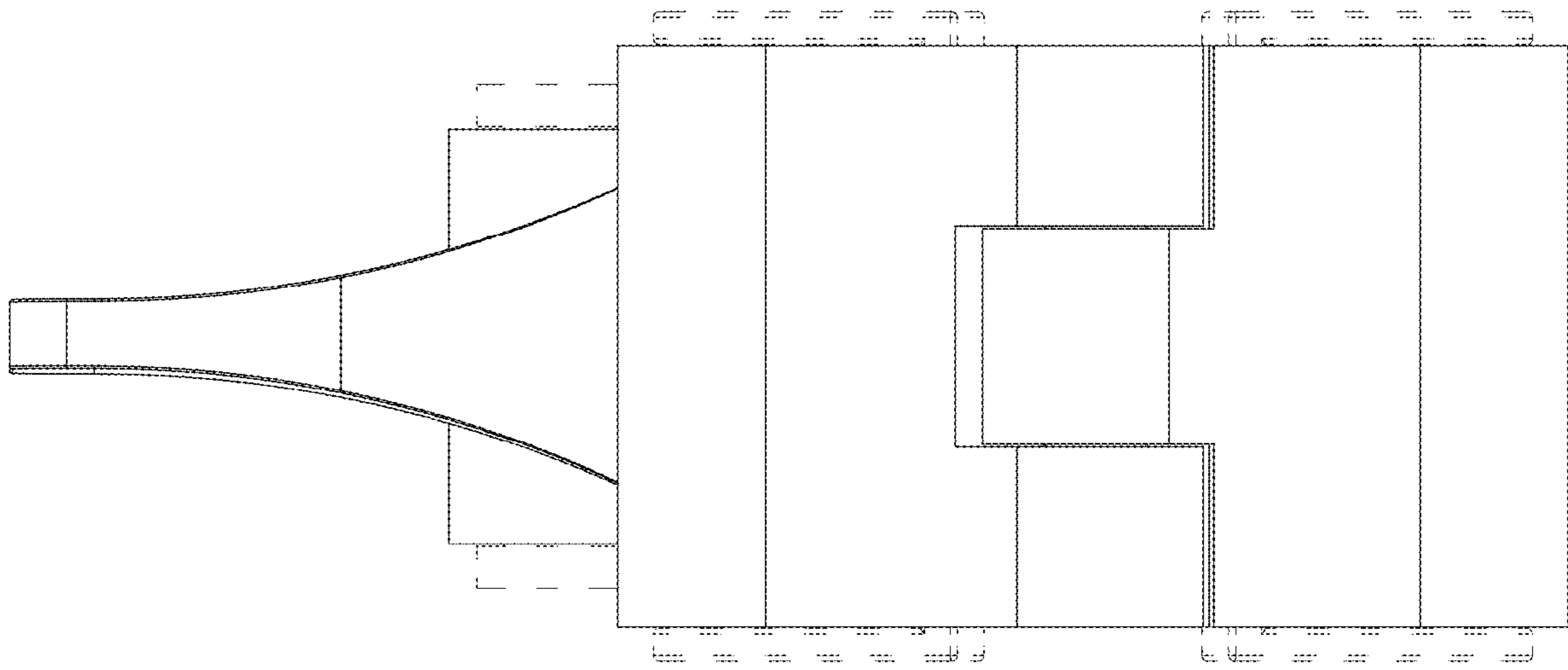


FIG. 5

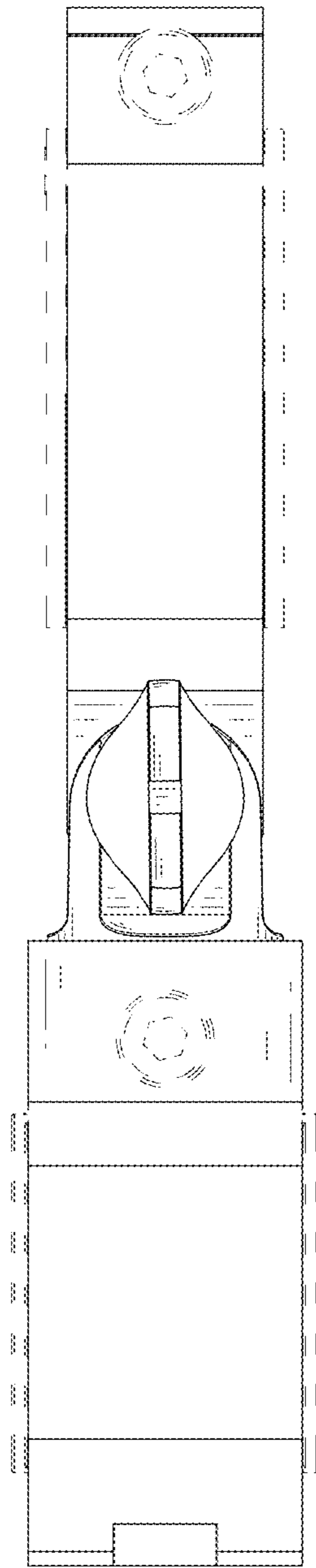


FIG. 6

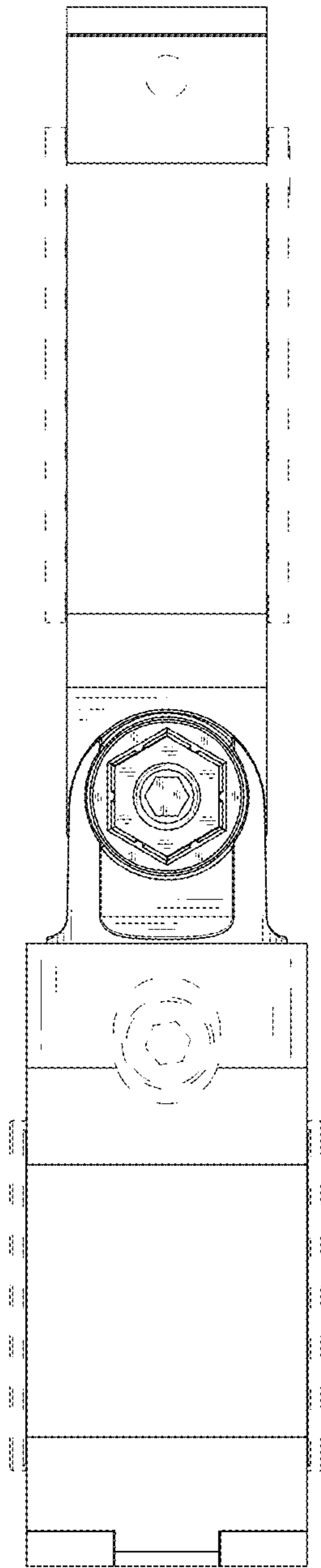


FIG. 7



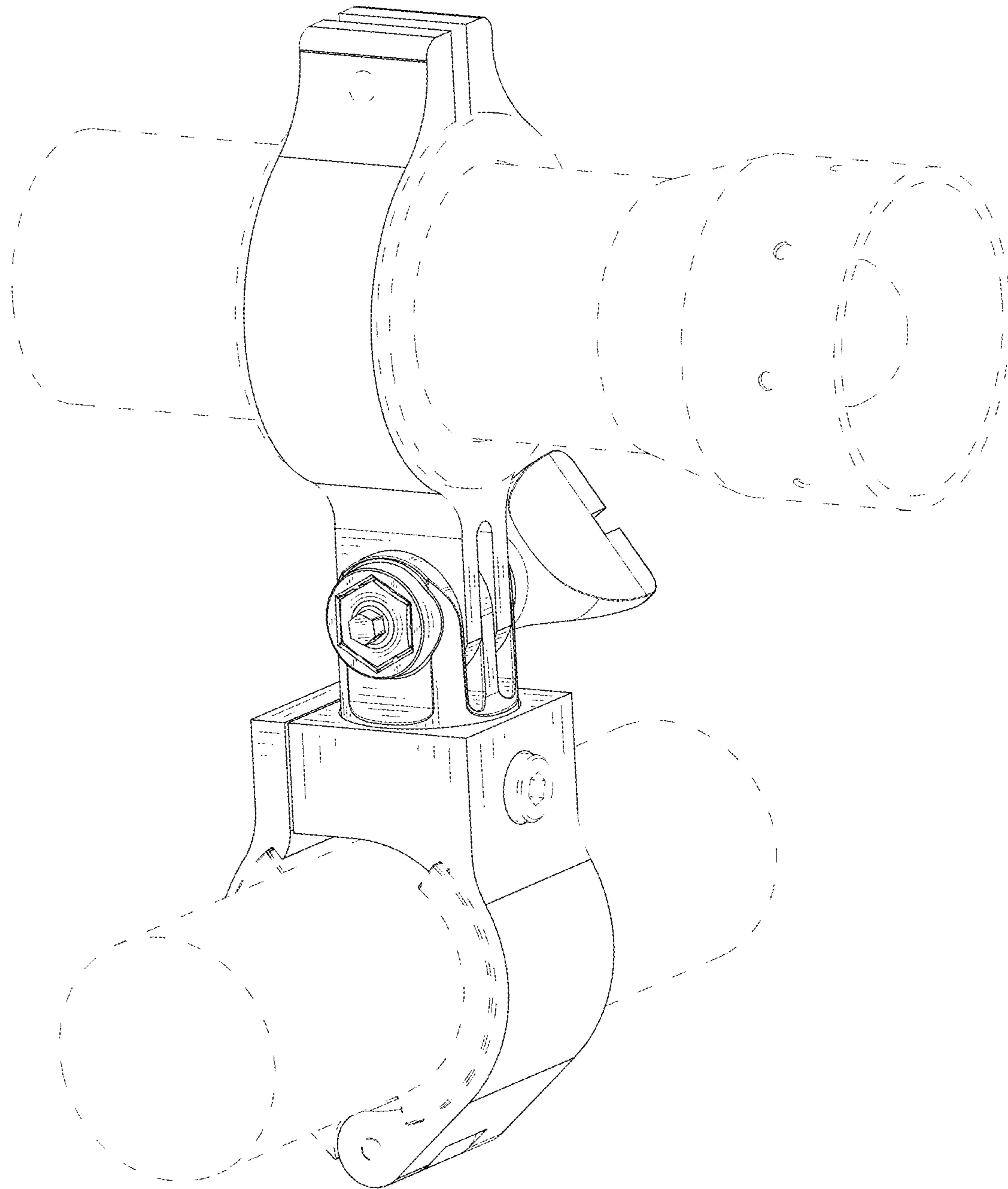


FIG. 8