



US00D887825S

(12) **United States Design Patent** (10) **Patent No.:** **US D887,825 S**  
**Schwarzmann et al.** (45) **Date of Patent:** **\*\* Jun. 23, 2020**

(54) **FASTENING DEVICE**  
(71) Applicant: **Julius Blum GmbH**, Hoechst (AT)  
(72) Inventors: **Guenter Schwarzmann**, Dornbirn (AT); **Markus Irgang**, Altach (AT); **Gerald Sperger**, Hard (AT)  
(73) Assignee: **JULIUS BLUM GMBH**, Hoechst (AT)  
(\*\*) Term: **15 Years**  
(21) Appl. No.: **29/708,928**  
(22) Filed: **Oct. 10, 2019**

**Related U.S. Application Data**

(62) Division of application No. 29/653,835, filed on Jun. 19, 2018.

(30) **Foreign Application Priority Data**

Dec. 22, 2017 (EM) ..... 1466296-0001

(51) **LOC (12) Cl.** ..... **08-08**

(52) **U.S. Cl.**  
USPC ..... **D8/387**

(58) **Field of Classification Search**  
USPC ..... D8/354, 382, 385, 387  
CPC .. F16B 23/00; F16B 23/0007; F16B 23/0023;  
F16B 25/00; F16B 35/00; F16B 12/10;  
F16B 12/14; F16B 12/22; F16B 12/24;  
F16B 12/30; F16B 12/36; F16B 12/46;  
A47B 88/941; A47B 2088/902; A47B  
2088/954

See application file for complete search history.

(56) **References Cited**

**U.S. PATENT DOCUMENTS**

D363,878 S 11/1995 Hayabusa  
D392,179 S 3/1998 Ropponen et al.

6,394,724 B1 5/2002 Kelly et al.  
D541,645 S 5/2007 Hutton  
D542,644 S 5/2007 Lee et al.  
D585,730 S 2/2009 Fernandez  
D652,929 S 1/2012 Sibhatu et al.  
D720,609 S 1/2015 David  
8,950,833 B2 2/2015 Bohle  
D799,313 S 10/2017 von Wilcke  
D799,950 S \* 10/2017 von Wilcke ..... D8/393  
D823,677 S 7/2018 Tung  
D829,087 S \* 9/2018 Law ..... D8/387  
D838,582 S \* 1/2019 Szucs ..... D8/382  
D847,595 S 5/2019 Hampton  
2002/0006320 A1 \* 1/2002 Kupper ..... F16B 12/24  
411/383  
2012/0054992 A1 \* 3/2012 Liu ..... F16B 12/24  
24/573.11  
2013/0014376 A1 1/2013 Komsitsky et al.  
2013/0260600 A1 10/2013 Shibata

(Continued)

*Primary Examiner* — Sandra S Snapp

*Assistant Examiner* — Ieisha N Price

(74) *Attorney, Agent, or Firm* — Wenderoth, Lind & Ponack, L.L.P.

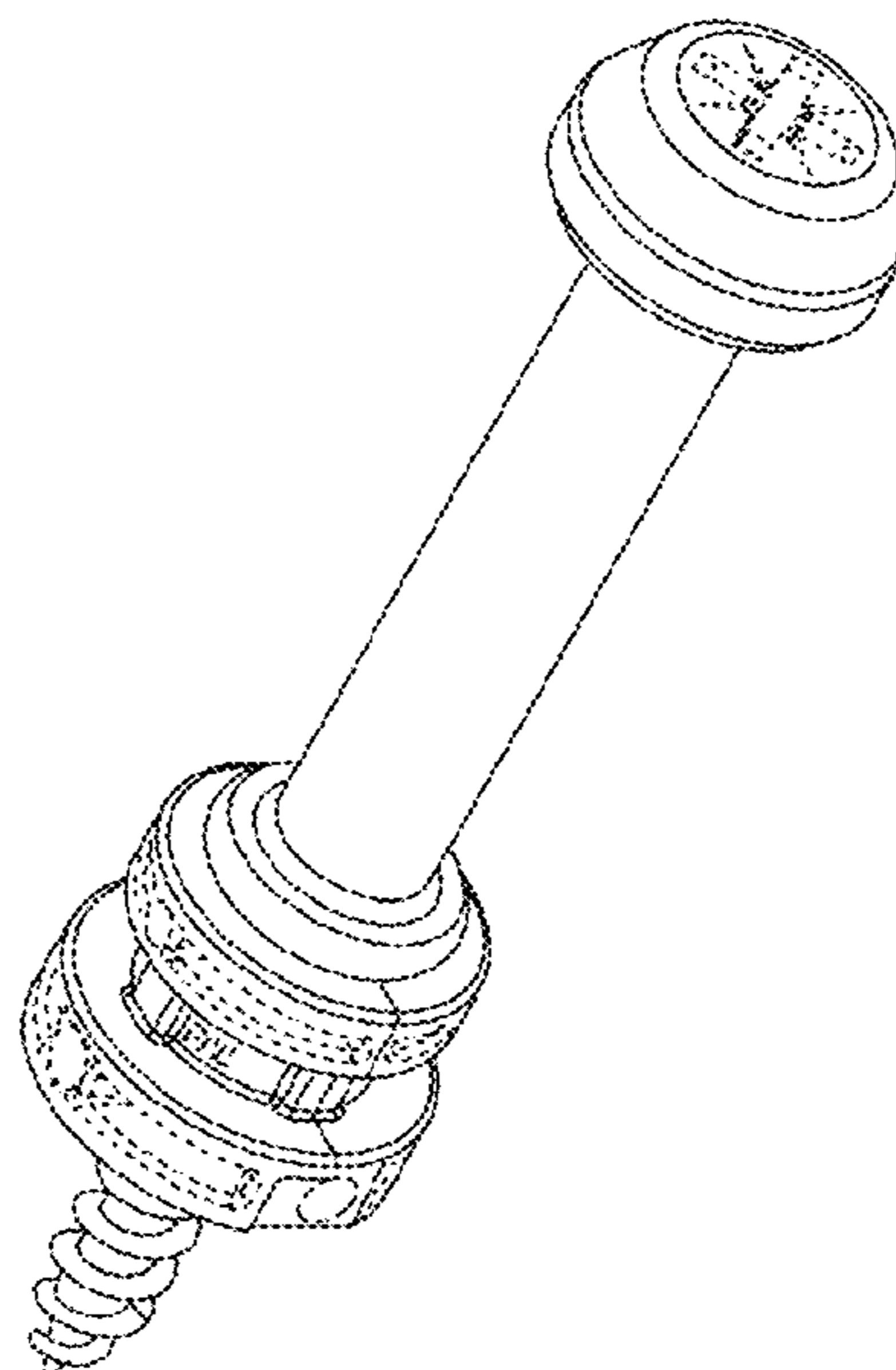
(57) **CLAIM**

The ornamental design for a fastening device, as shown and described.

**DESCRIPTION**

FIG. 1 is a front perspective view of a fastening device; FIG. 2 is a front view thereof; FIG. 3 is a right side view thereof; FIG. 4 is a left side view thereof; FIG. 5 is a rear view thereof; FIG. 6 is a top view thereof; and, FIG. 7 is a bottom view thereof. The broken lines in the drawings illustrate portions of the fastening device and form no part of the claimed design.

**1 Claim, 7 Drawing Sheets**



(56)

**References Cited**

U.S. PATENT DOCUMENTS

2016/0108945 A1\* 4/2016 Yang ..... F16B 12/22  
403/359.6  
2018/0266473 A1 9/2018 Campbell et al.  
2018/0372137 A1\* 12/2018 Cattaneo ..... A47B 47/042  
2019/0024690 A1\* 1/2019 Giovannetti ..... F16B 12/2027  
2019/0195258 A1\* 6/2019 Zimmer ..... F16B 12/24  
2019/0242420 A1\* 8/2019 Dietrich ..... F16B 12/20

\* cited by examiner

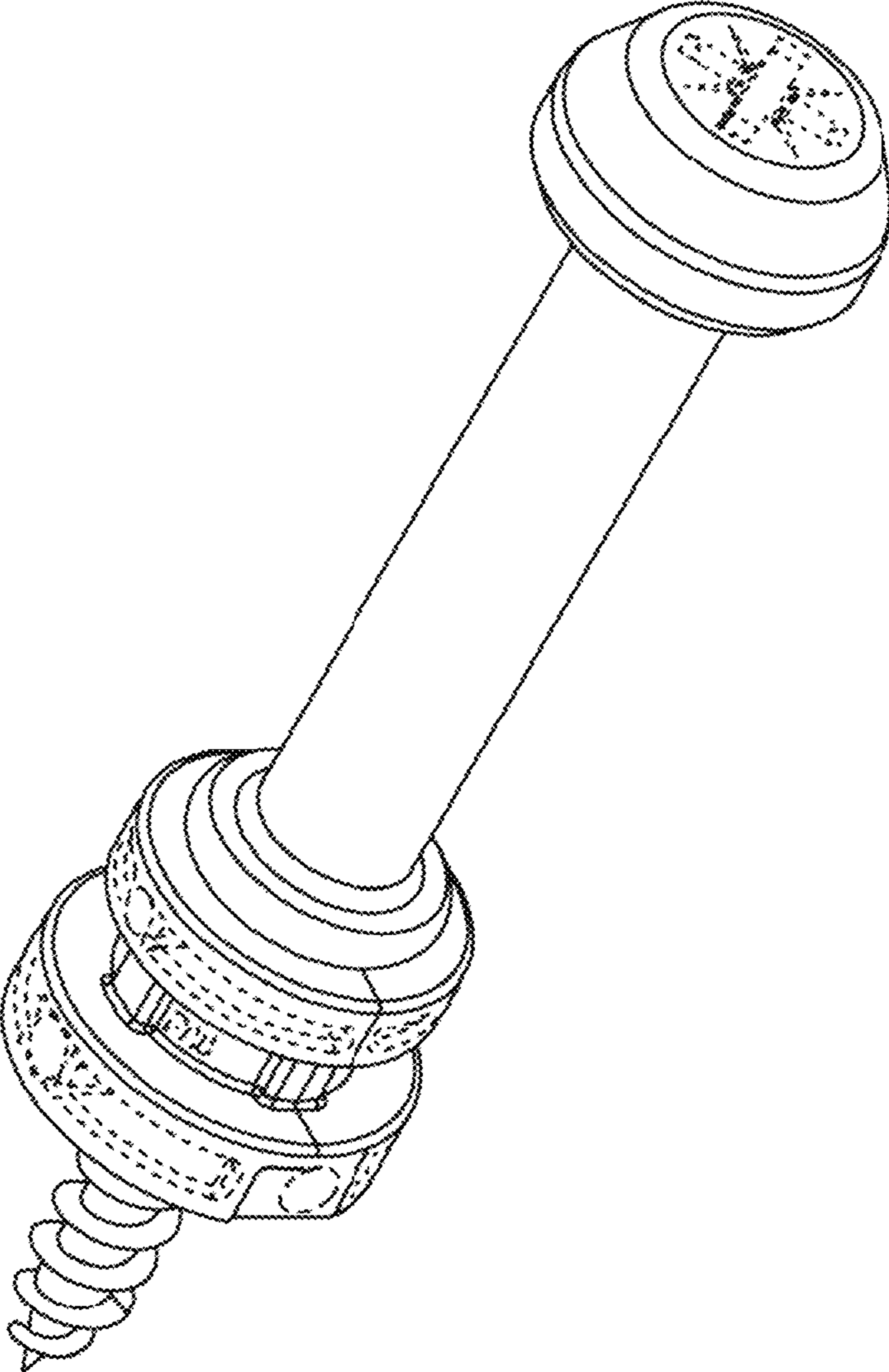


Fig. 1

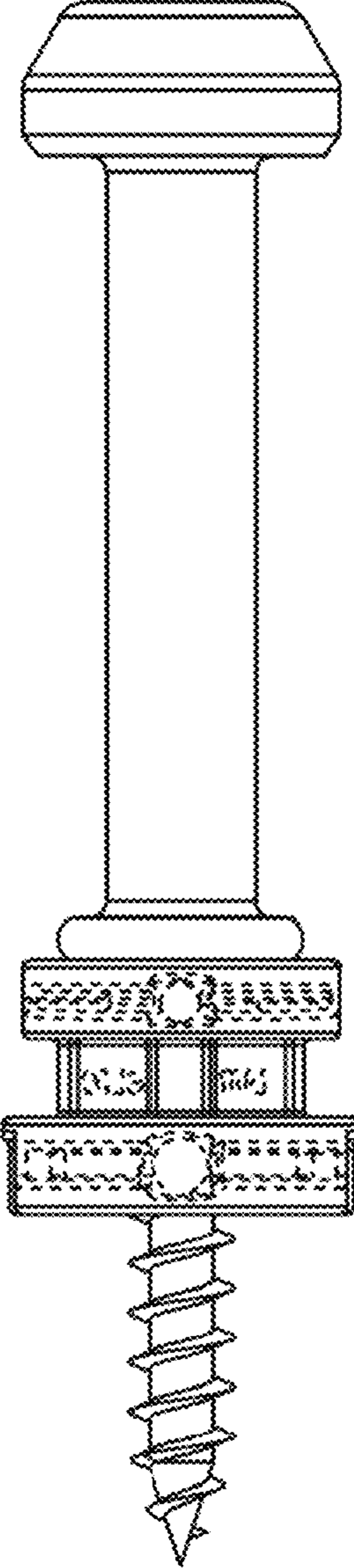


Fig. 2

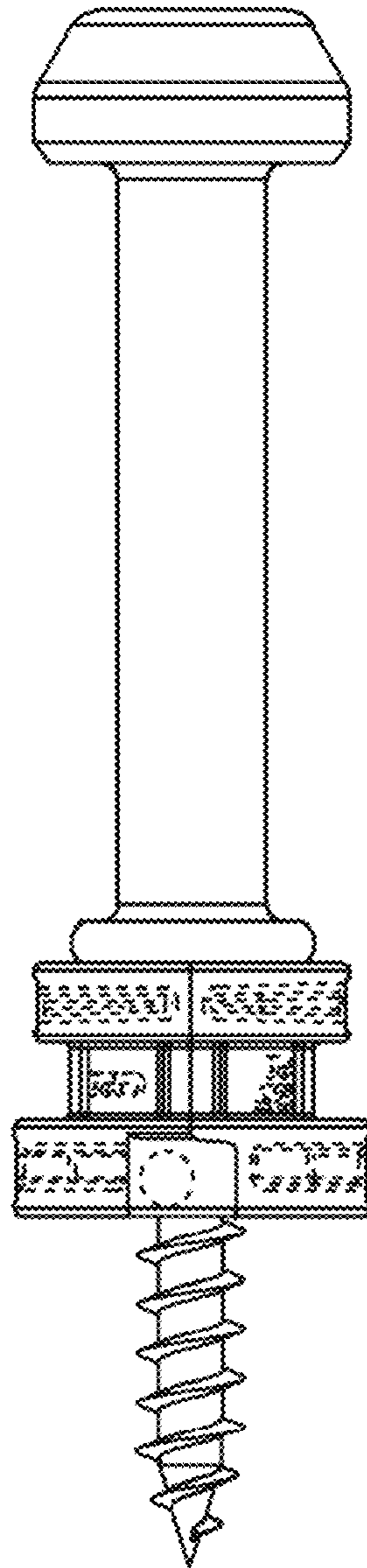


Fig. 3

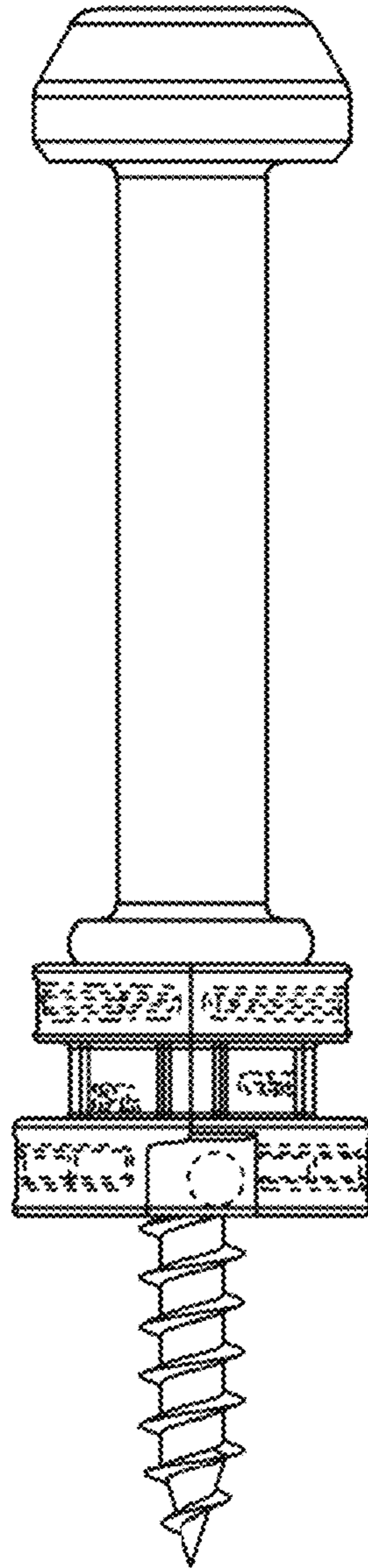


Fig. 4



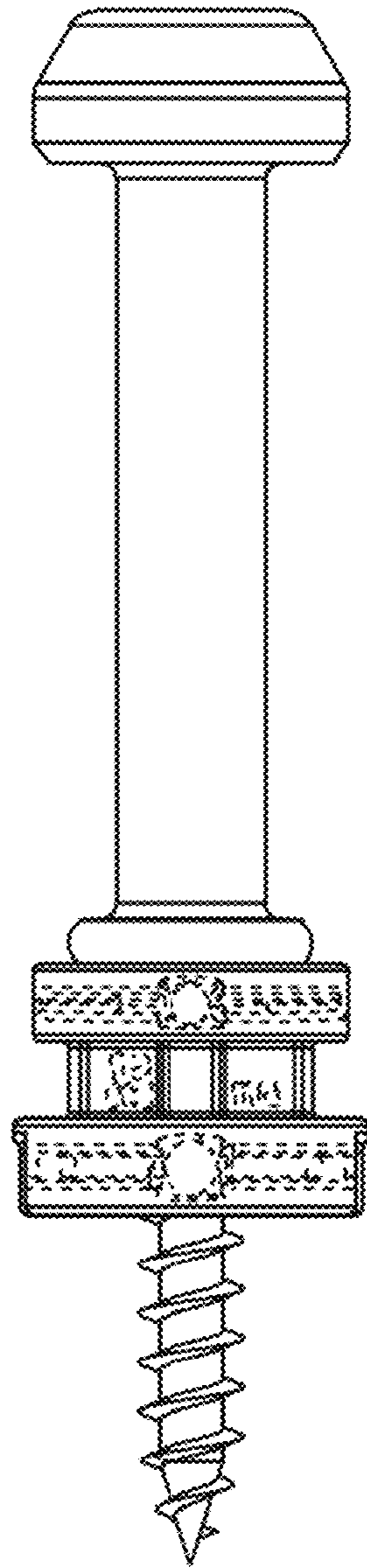


Fig. 5

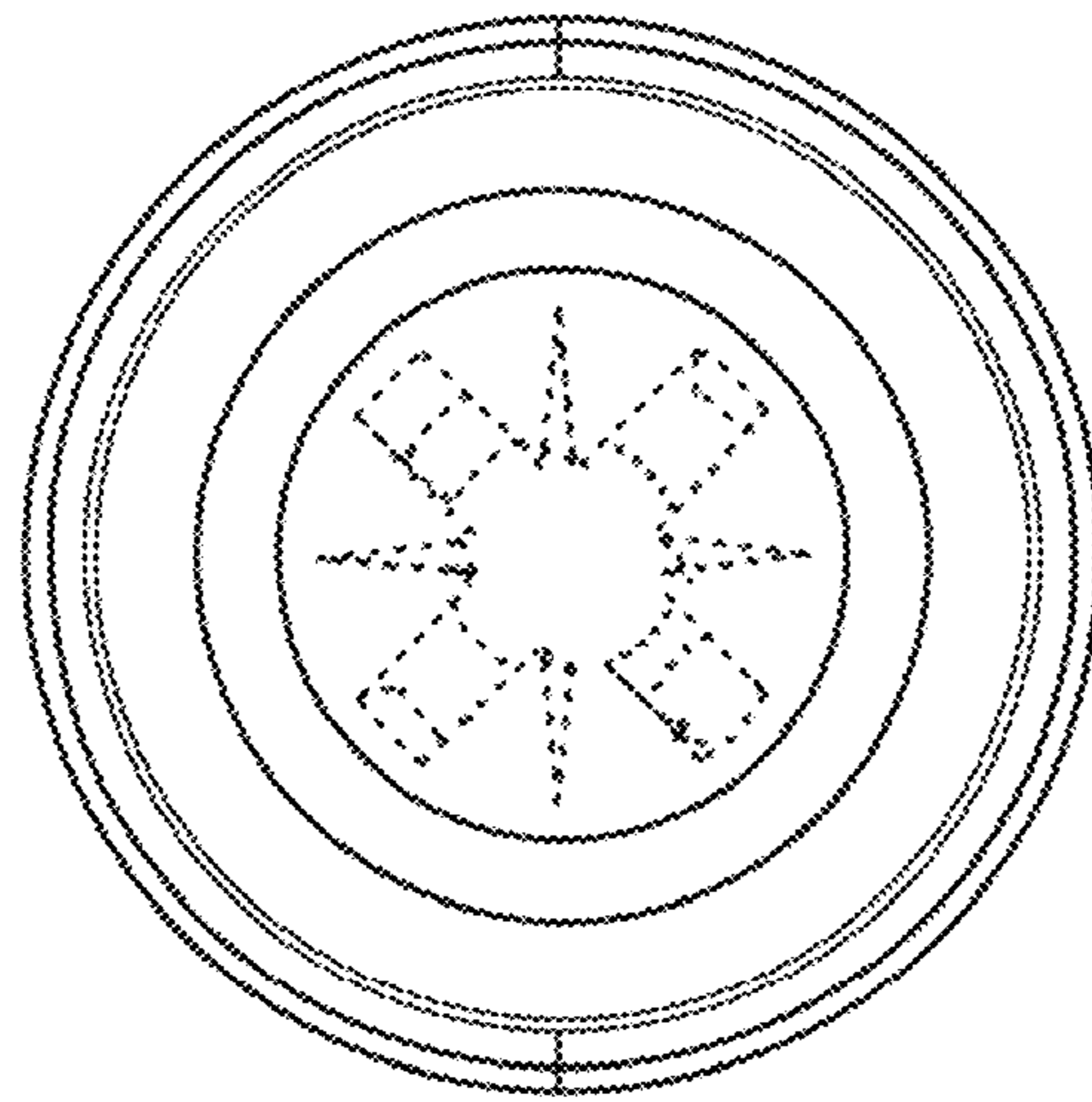


Fig. 6



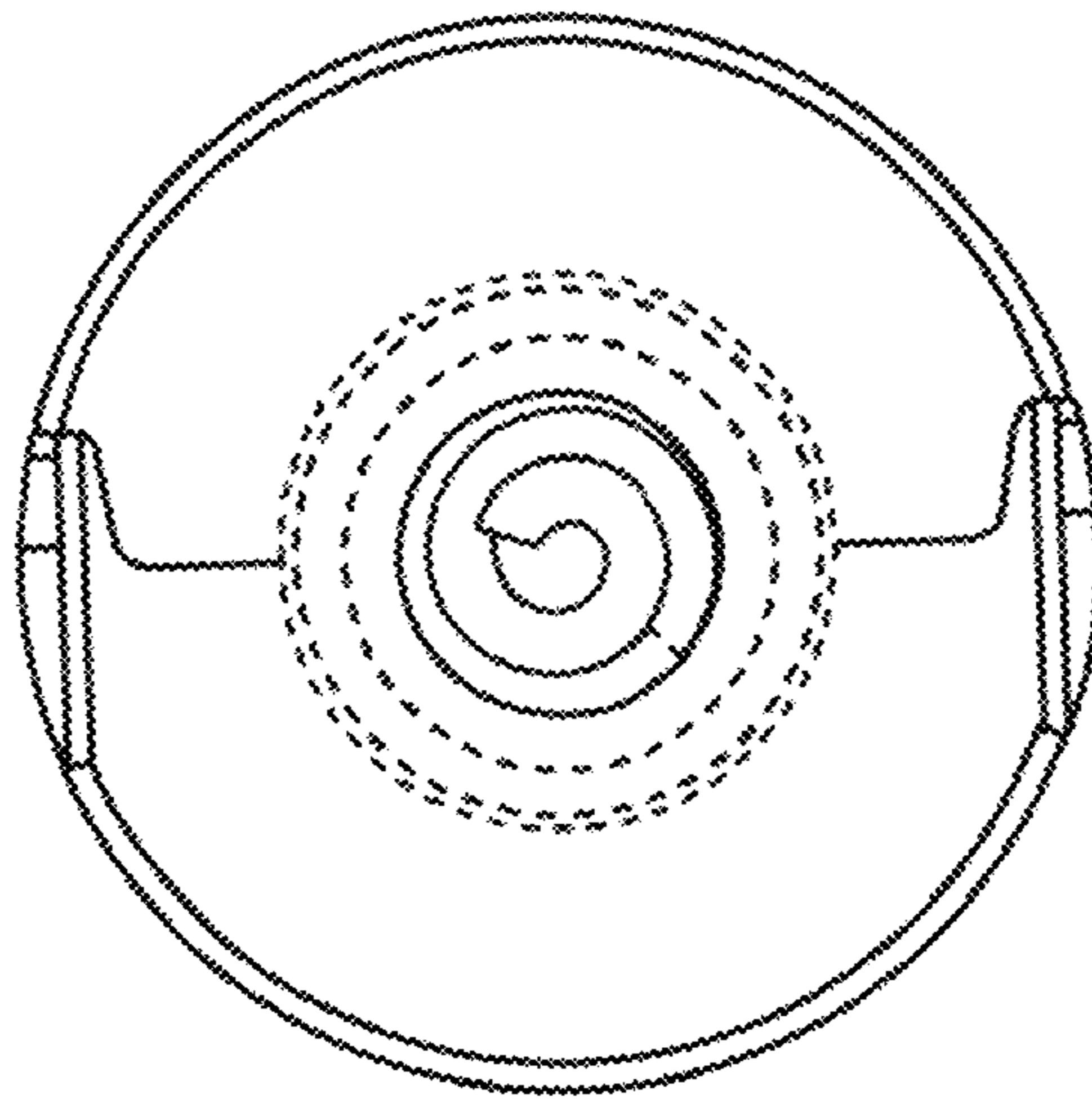


Fig. 7