



US00D887824S

(12) **United States Design Patent**
Heindl

(10) **Patent No.:** **US D887,824 S**

(45) **Date of Patent:** **** Jun. 23, 2020**

- (54) **SHEET PILE CONNECTOR**
- (71) Applicant: **Richard Heindl**, Gräfelfing (DE)
- (72) Inventor: **Richard Heindl**, Gräfelfing (DE)
- (**) Term: **15 Years**
- (21) Appl. No.: **29/690,090**
- (22) Filed: **May 6, 2019**
- (30) **Foreign Application Priority Data**

Nov. 6, 2018 (EM) 005817681-0001

(51) **LOC (12) Cl.** **08-08**

(52) **U.S. Cl.**
USPC **D8/382**

(58) **Field of Classification Search**
USPC D8/382, 394, 395; D25/119
CPC E02D 5/02; E02D 5/04; E02D 5/06; E02D
5/08; E02D 5/12; Y10T 403/73
See application file for complete search history.

(56) **References Cited**

U.S. PATENT DOCUMENTS

1,837,787 A	12/1931	Josef	
1,862,426 A	6/1932	Walther	
2,128,740 A	8/1938	Dougherty	
2,332,812 A	10/1943	Rieger et al.	
D242,035 S	10/1976	Drawsky	
6,000,883 A	12/1999	Irvine et al.	
D465,288 S *	11/2002	Wall	D25/61
D479,798 S *	9/2003	Wall	D25/119
D479,983 S *	9/2003	Wall	D25/119
D541,638 S *	5/2007	Heindl	D8/382
D543,841 S	6/2007	Heindl	
D618,991 S	7/2010	Heindl	
D621,248 S	8/2010	Heindl	
D621,252 S	8/2010	Heindl	

D626,828 S *	11/2010	Austro	D8/382
D637,476 S *	5/2011	Hanna	D8/382
D640,535 S *	6/2011	Austro	D8/382
D643,132 S	8/2011	Mackenzie	
D665,658 S	8/2012	Heindl	
D665,660 S	8/2012	Heindl	
D681,428 S	5/2013	Heindl	
D681,429 S *	5/2013	Heindl	D8/382
D681,430 S *	5/2013	Heindl	D8/382
D706,125 S *	6/2014	Wendt	D25/119
D832,088 S	10/2018	Heindl	
D832,089 S	10/2018	Heindl	
D832,091 S *	10/2018	Heindl	D8/382
D832,687 S	11/2018	Heindl	
D832,688 S	11/2018	Heindl	
D847,382 S *	4/2019	Seiler	D25/121

(Continued)

OTHER PUBLICATIONS

Office Action issued for co-pending U.S. Appl. No. 29/650,670, dated May 3, 2019.

(Continued)

Primary Examiner — Sandra S Snapp

Assistant Examiner — Ieisha N Price

(74) *Attorney, Agent, or Firm* — Meunier Carlin & Curfman LLC

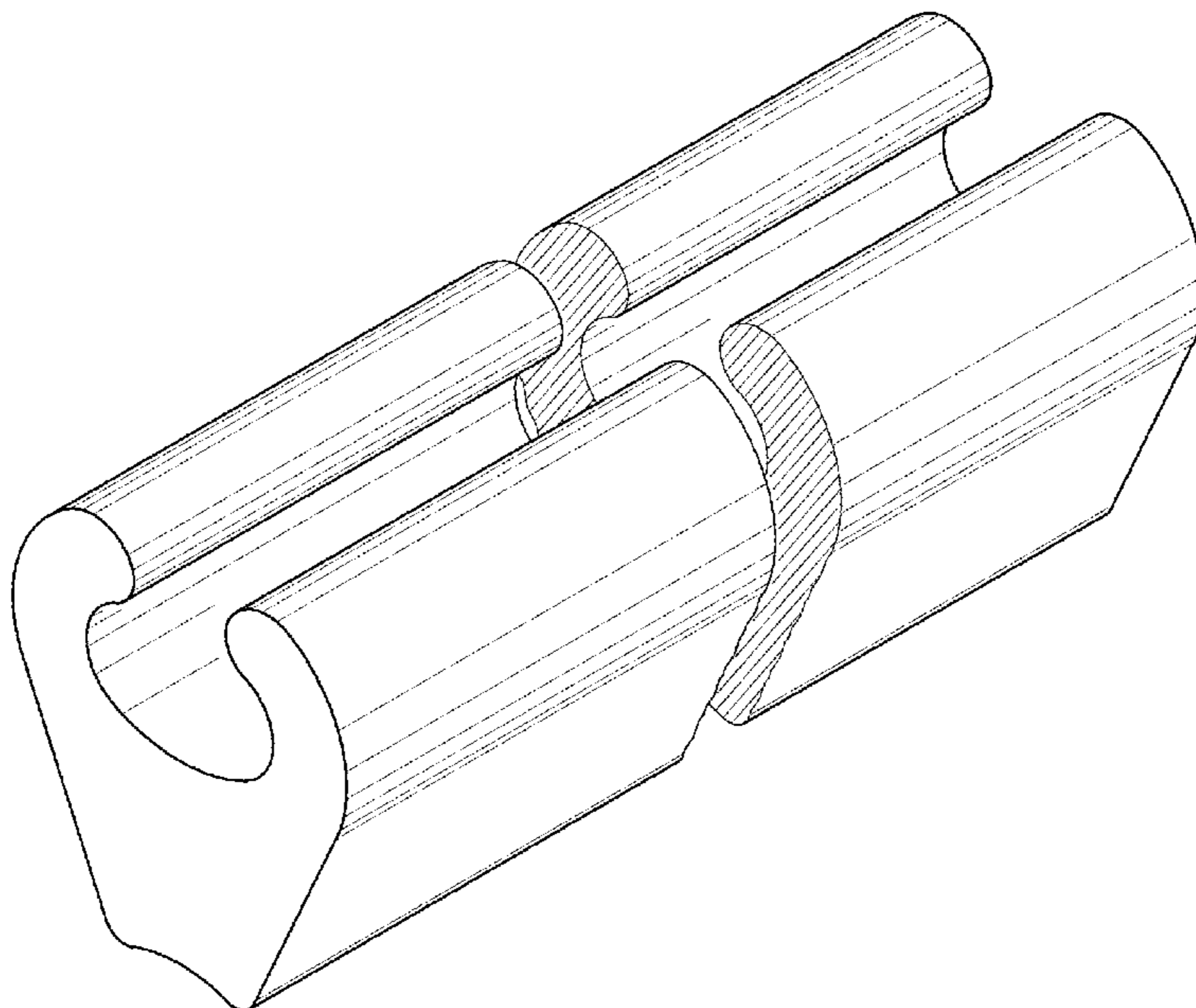
(57) **CLAIM**

The ornamental design for a sheet pile connector, as shown and described.

DESCRIPTION

FIG. 1 illustrates a front perspective view of my design; and, FIG. 2 illustrates a side view of the design shown in FIG. 1. The sheet pile connector is shown with a symbolic break in its length. The appearance of any portion of the article between the break lines forms no part of the claimed design.

1 Claim, 2 Drawing Sheets



(56)

References Cited

U.S. PATENT DOCUMENTS

D861,469 S * 10/2019 Heindl D8/382
D868,570 S * 12/2019 Heindl D8/382
2005/0163575 A1 7/2005 Dagher et al.
2008/0145153 A1 6/2008 Wendt et al.
2009/0191008 A1* 7/2009 Heindl E02D 5/08
405/279

OTHER PUBLICATIONS

Office Action issued for co-pending U.S. Appl. No. 29/650,671,
dated May 2, 2019.

Notice of Allowance issued for co-pending U.S. Appl. No. 29/650,672,
dated May 6, 2019.

Office Action issued for co-pending U.S. Appl. No. 29/650,674,
dated May 2, 2019.

* cited by examiner

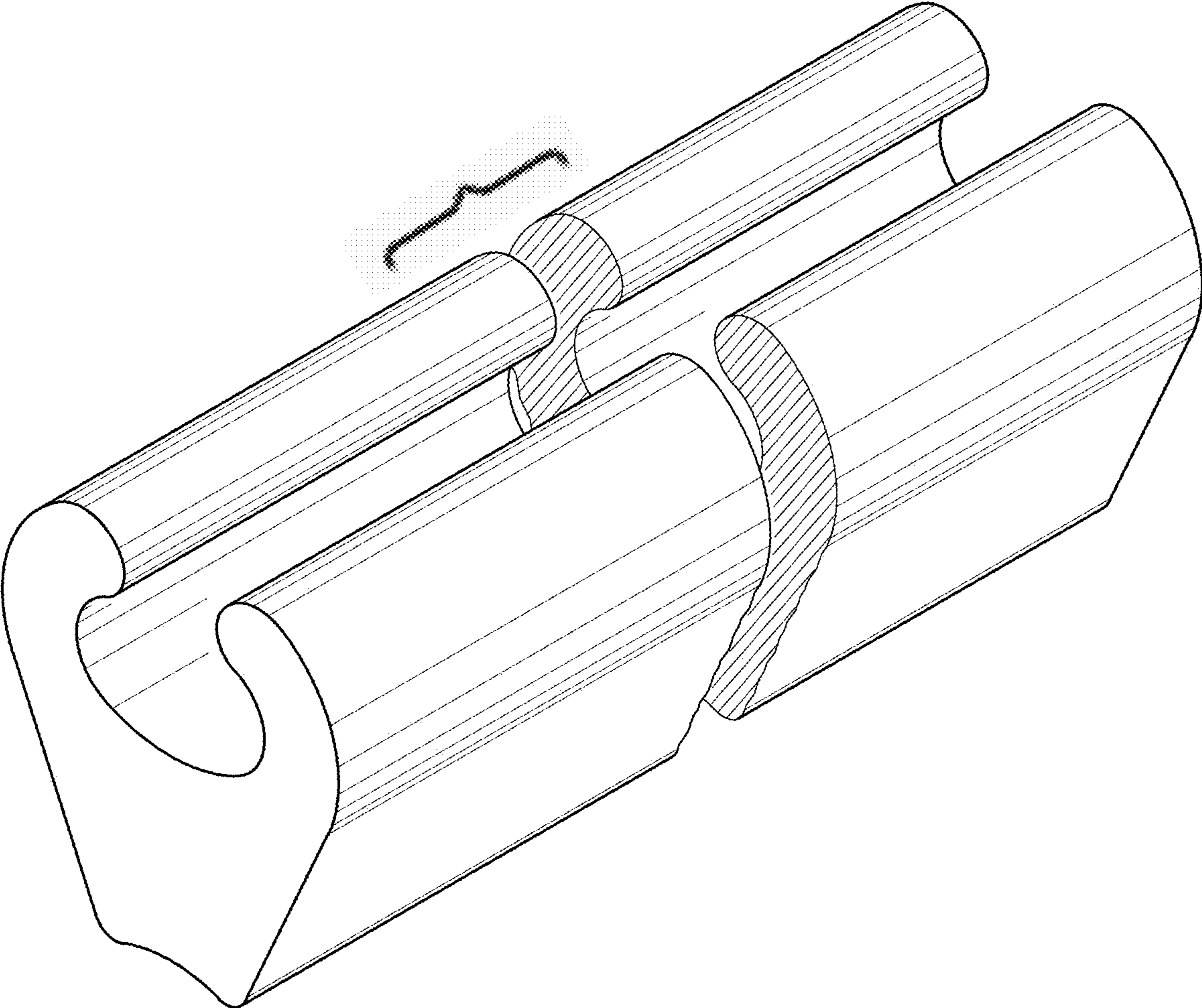


FIG. 1

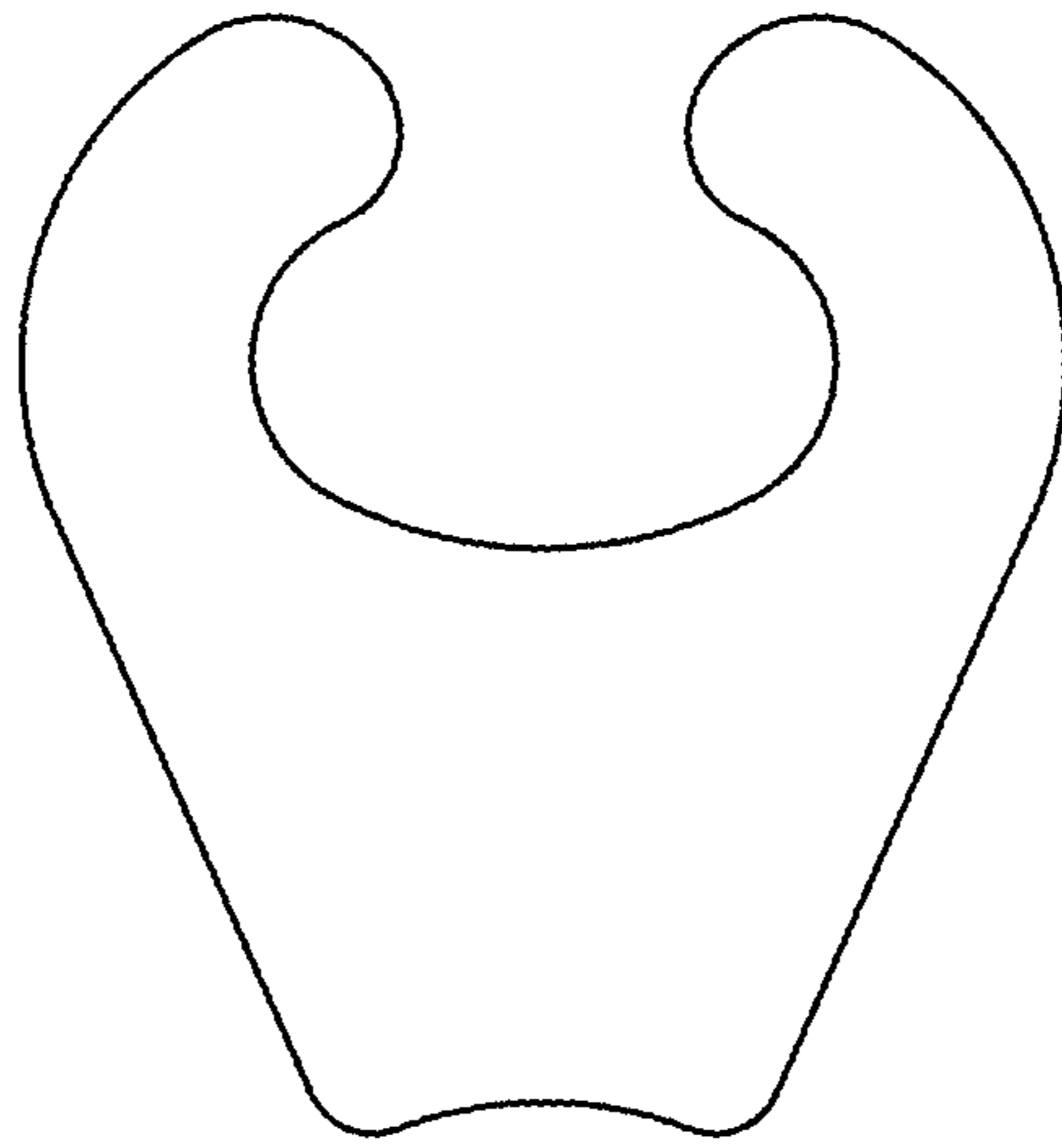


FIG. 2