



US00D887823S

(12) **United States Design Patent**
Joe

(10) **Patent No.:** **US D887,823 S**
(45) **Date of Patent:** **** Jun. 23, 2020**

- (54) **FRAME JOINT**
- (71) Applicant: **Randal W. Joe**, Escondido, CA (US)
- (72) Inventor: **Randal W. Joe**, Escondido, CA (US)
- (**) Term: **15 Years**
- (21) Appl. No.: **29/679,445**
- (22) Filed: **Feb. 6, 2019**

- 2,465,917 A * 3/1949 Neary A63H 27/08
244/153 R
- 2,863,466 A * 12/1958 Small A45B 17/00
135/20.3
- 2,991,097 A * 7/1961 Vanwersch E21D 15/43
403/91
- 3,181,542 A 5/1965 Bareis
- 3,252,469 A 5/1966 Peake
- 3,457,931 A 7/1969 Shimizu
- 3,749,338 A * 7/1973 Kinsey A63H 27/08
244/153 R
- 3,838,703 A 10/1974 Zeigler
(Continued)

Related U.S. Application Data

- (63) Continuation of application No. 16/233,435, filed on Dec. 27, 2018.
- (51) **LOC (12) Cl.** **08-08**
- (52) **U.S. Cl.**
USPC **D8/382**
- (58) **Field of Classification Search**
USPC D8/349, 354, 382, 396; D21/445, 446;
D6/702, 562, 553, 567
CPC A63H 27/08; A63H 27/082; A63H 27/085;
A63H 27/087; B64C 31/06; B64C
2031/06; B64C 2031/065; B64C 31/028;
E04B 1/34357; E04B 1/34384; E04B
1/3441; F16B 7/04; F16B 7/0406; F16B
7/0413; F16B 7/0433; F16B 7/044; F16B
7/0446; F16B 12/40; F16B 2012/403;
F16C 11/00; F16C 11/0604; F16C
11/045; F16C 11/0614; Y10T 403/35;
Y10T 403/42; Y10T 403/32319
See application file for complete search history.

FOREIGN PATENT DOCUMENTS

- EP 0534843 3/1993
- Primary Examiner* — Sandra S Snapp
- Assistant Examiner* — Ieisha N Price
- (74) *Attorney, Agent, or Firm* — Buche & Associates,
P.C.; John K. Buche; Bryce A. Johnson

(57) **CLAIM**

I claim the ornamental design for “frame joint,” as shown.

DESCRIPTION

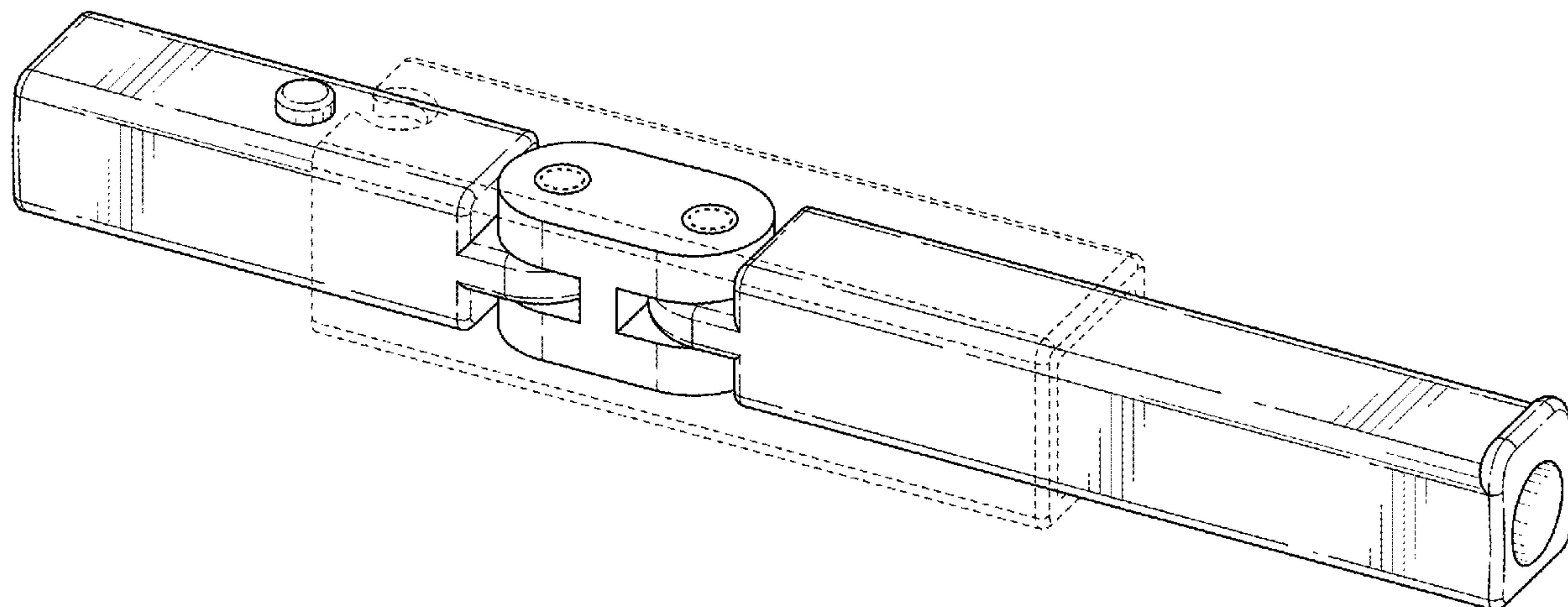
FIG. 1 is a perspective view of a frame joint;
 FIG. 2 is a view of the frame joint of FIG. 1 from the right;
 FIG. 3 is a view of the frame joint of FIG. 1 from the left;
 FIG. 4 is a view of the frame joint of FIG. 1 from the top;
 FIG. 5 is a view of the frame joint of FIG. 1 from the bottom;
 FIG. 6 is a view of the frame joint of FIG. 1 from the front;
 and,
 FIG. 7 is a view of the frame joint of FIG. 1 from the back.
 The broken line showing of the sleeve in FIGS. 1-7 illustrates the environment of the claimed design and form no part thereof.

(56) **References Cited**

U.S. PATENT DOCUMENTS

- 957,528 A 5/1910 Wetteroth
- 1,846,496 A 2/1932 Mills

1 Claim, 3 Drawing Sheets



(56)

References Cited

U.S. PATENT DOCUMENTS

4,023,750 A *	5/1977	Tigner	B64C 31/028	5,746,533 A *	5/1998	Schmidt	E05D 11/1007
				244/16					16/319
4,131,378 A *	12/1978	Daws	E05D 3/12	5,884,646 A	5/1999	Ju		
				16/287	D413,058 S *	8/1999	Murakami	D8/382
4,244,384 A *	1/1981	Bean	E04B 1/32	5,937,882 A	8/1999	Harbaugh		
				135/132	6,317,497 B1 *	11/2001	Ou	B60R 11/02
4,337,548 A	7/1982	Bonar							379/446
4,472,075 A *	9/1984	Forni	F16C 11/02	6,371,873 B1 *	4/2002	Wang	A63B 63/004
				403/157					273/407
4,661,007 A *	4/1987	Schneider	E05F 7/08	6,612,713 B1	9/2003	Kuelbs		
				403/161	6,675,546 B2 *	1/2004	Coles	F16B 7/185
4,932,807 A *	6/1990	Rhodes	B64G 1/222					403/157
				403/146	6,868,858 B2	3/2005	Suh		
5,178,583 A *	1/1993	Rankin	B64G 9/00	7,168,439 B2	1/2007	Patel et al.		
				403/100	D545,304 S *	6/2007	Sergi	D14/238
5,217,315 A *	6/1993	Rosane	A61G 1/013	9,220,647 B1 *	12/2015	Steinbock	A61G 1/013
				403/100	2013/0020442 A1 *	1/2013	Prieto Estebanez	...	A63H 27/08
5,423,341 A	6/1995	Brady							244/153 R
D375,451 S *	11/1996	Ohkubo	D8/323	2016/0347449 A1 *	12/2016	Huang	B64C 31/06
5,710,870 A	1/1998	Ohm			2018/0249837 A1	9/2018	Cohen		
					2018/0252000 A1	9/2018	Parry et al.		
					2019/0201802 A1 *	7/2019	Stewart	A63H 27/08

* cited by examiner

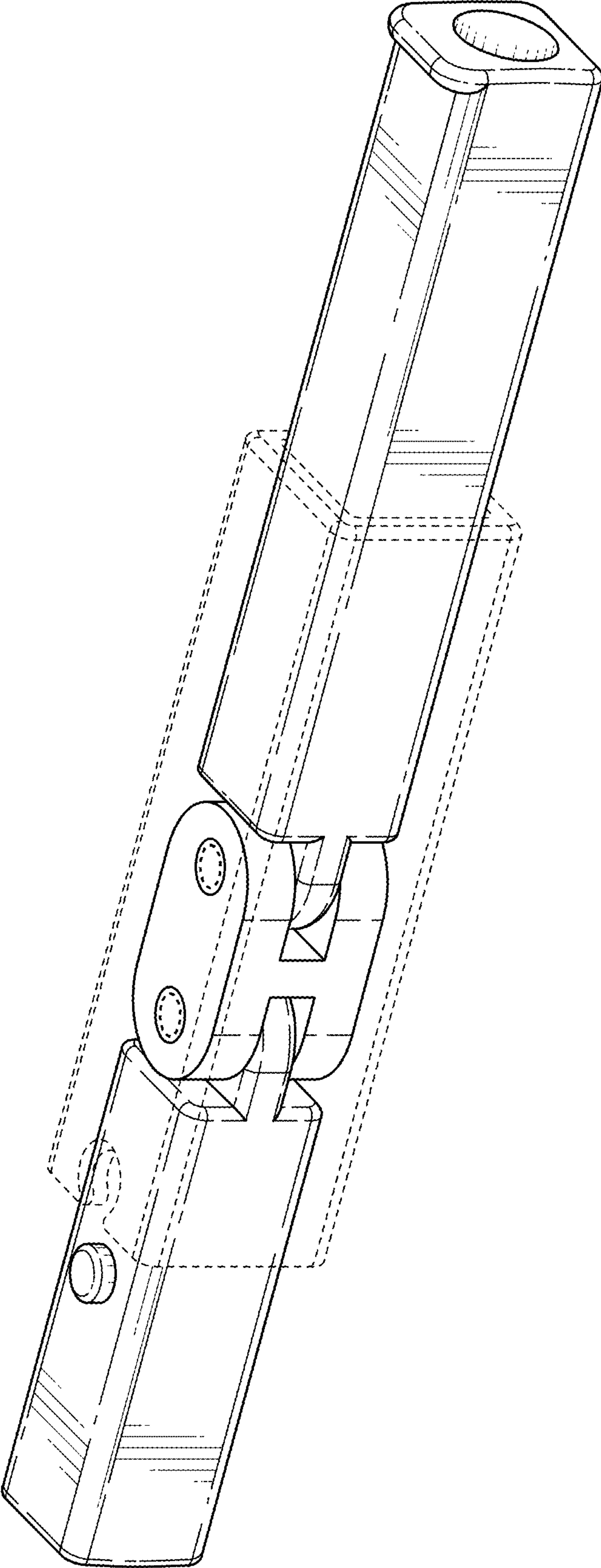


FIG. 1

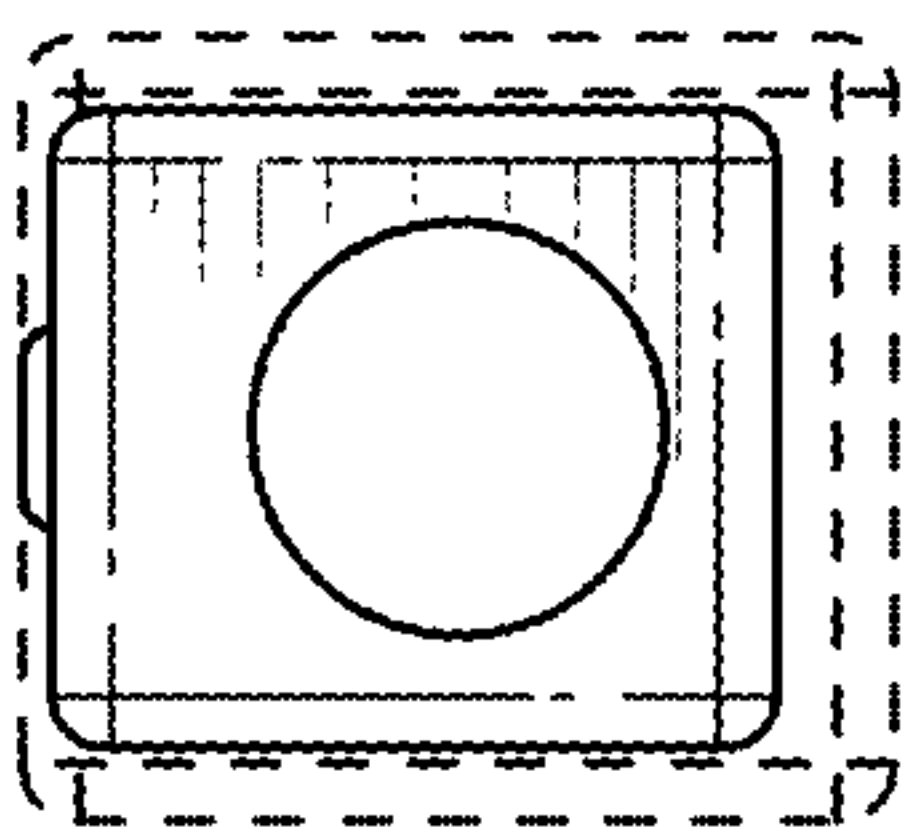


FIG. 2

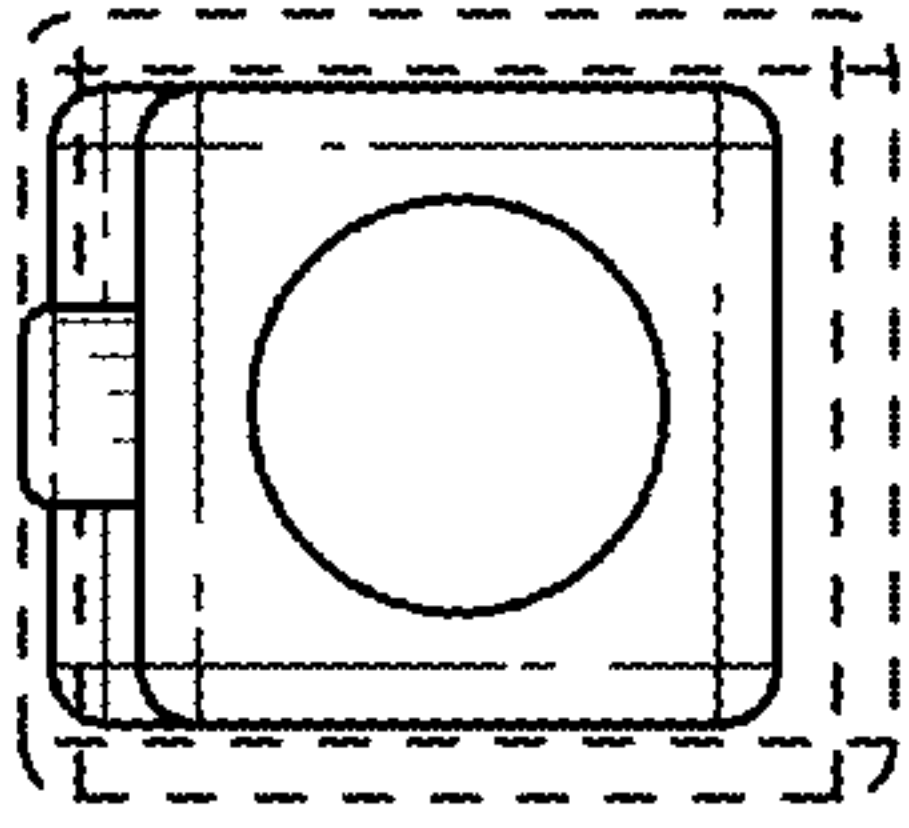


FIG. 3

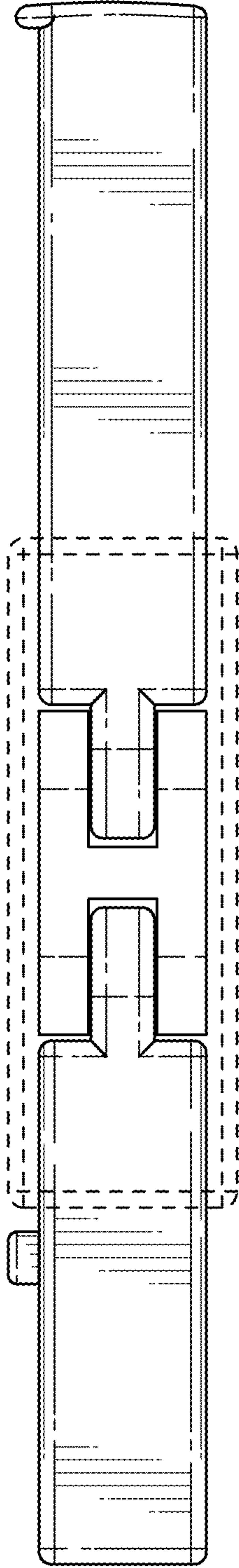


FIG. 4

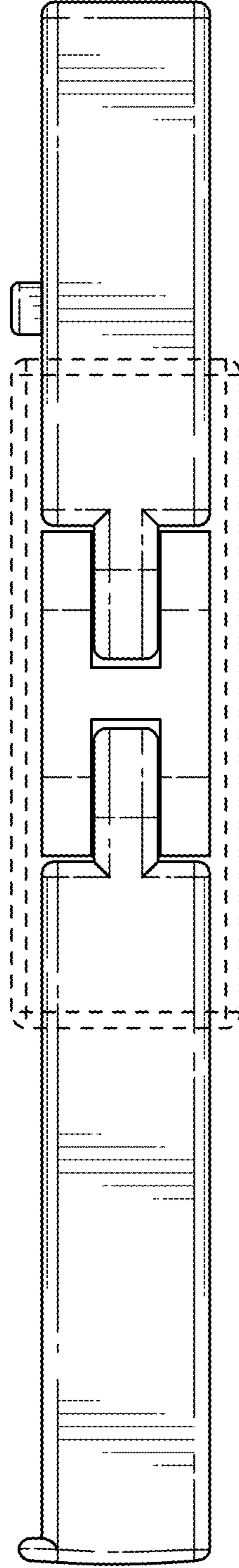


FIG. 5

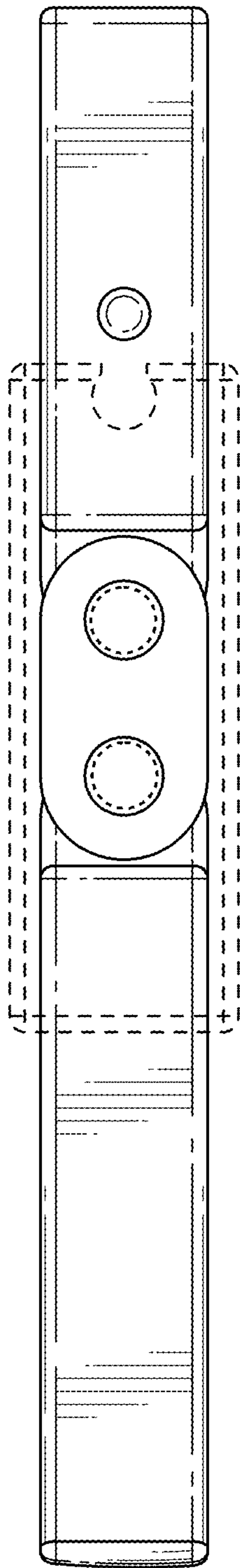


FIG. 6

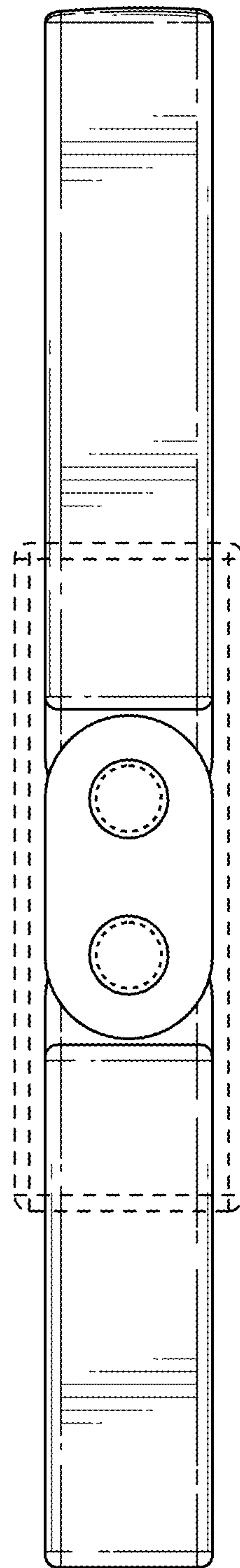


FIG. 7