



US00D887821S

(12) **United States Design Patent**
Franta

(10) **Patent No.:** **US D887,821 S**
(45) **Date of Patent:** **** Jun. 23, 2020**

(54) **FLEX BLOCK**

(71) Applicant: **John E Franta**, Grover Beach, CA
(US)

(72) Inventor: **John E Franta**, Grover Beach, CA
(US)

(**) Term: **15 Years**

(21) Appl. No.: **29/665,264**

(22) Filed: **Oct. 2, 2018**

(51) **LOC (12) Cl.** **08-05**

(52) **U.S. Cl.**
USPC **D8/360**

(58) **Field of Classification Search**
USPC D12/317; D8/349, 367, 360, 352, 358,
D8/373, 356, 359, 354; D34/35, 33;
24/129 R
CPC B66D 2700/028; B66D 3/06; B66D 3/08;
B63H 9/00; B63H 9/10
See application file for complete search history.

(56) **References Cited**

U.S. PATENT DOCUMENTS

- 329,667 A * 11/1885 Moore 254/404
- 1,358,276 A * 11/1920 Blake B66D 3/04
254/412
- 1,407,406 A * 2/1922 Glazebrook B66C 1/12
24/129 R
- 1,681,947 A * 8/1928 Meany B66D 3/04
254/412
- 1,828,897 A * 10/1931 Hollingsworth B66D 3/046
254/401
- 2,649,282 A * 8/1953 Fate, Jr. B66C 1/34
254/406
- 3,250,516 A * 5/1966 Silberger B66D 3/04
254/409
- D240,347 S * 6/1976 Vick D8/360
- 5,188,052 A * 2/1993 Breuer B63H 9/10
114/204

- 6,481,695 B1 * 11/2002 Fuller B66D 3/046
254/405
 - D658,487 S * 5/2012 Chih D8/360
 - 8,201,309 B1 * 6/2012 Franta B63B 21/04
24/129 R
 - 8,286,947 B2 * 10/2012 Rogelja B66D 3/06
254/393
 - D738,285 S * 9/2015 Franta D12/317
- (Continued)

OTHER PUBLICATIONS

Portable Winch 3" Swing Side Pulley— $\frac{3}{8}$ " Rope—#PCA-1275,
<https://www.westechrigging.com> [online]. published on or before
Apr. 3, 2020, [retrieved on Apr. 3, 2020]. Retrieved from the
Internet: <URL:<https://www.westechrigging.com/pulley-portable-winch-1275.html>> (Year: 2020).*

(Continued)

Primary Examiner — Karen E Kearney
Assistant Examiner — Adam C Mager
(74) *Attorney, Agent, or Firm* — Ronald R. Kilponen

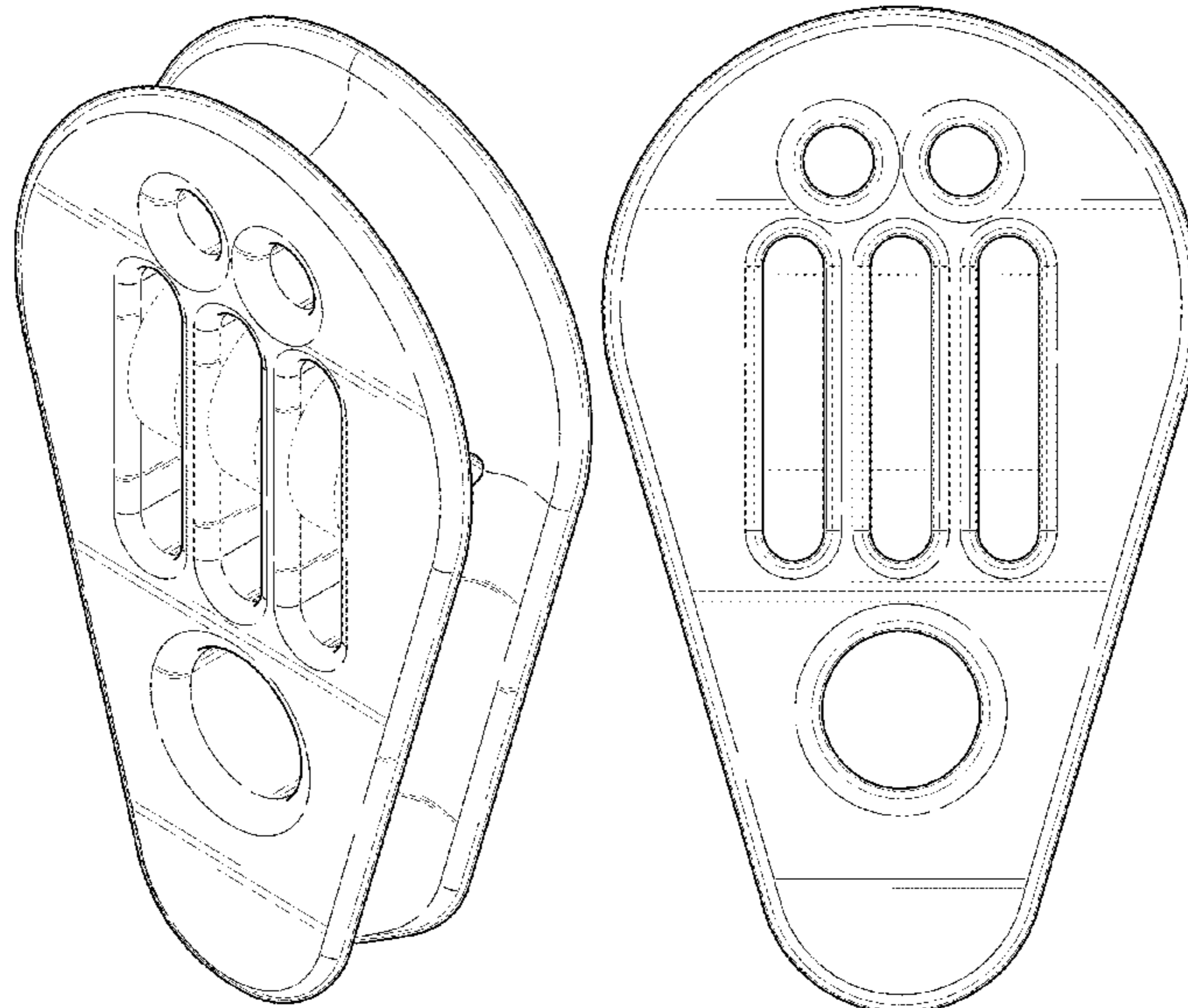
(57) **CLAIM**

The ornamental design for a flex block, as shown and described.

DESCRIPTION

FIG. 1 is a perspective view of the flex block;
FIG. 2 is a front side view thereof;
FIG. 3 is a back side view with thereof;
FIG. 4 is a left side view thereof;
FIG. 5 is a right side view thereof;
FIG. 6 is a top view thereof; and,
FIG. 7 is a bottom view thereof.
The broken lines are included for the purpose of illustrating
portions of the flex block and form no part of the claimed
design.

1 Claim, 7 Drawing Sheets



(56)

References Cited

U.S. PATENT DOCUMENTS

10,532,918 B2 * 1/2020 Hannan B66D 3/04

OTHER PUBLICATIONS

Pulley Block (Tear Drop Shape)—Skydog Rigging Equipment, <https://skydogrigging.com> [online], published on or before Apr. 3, 2020, [retrieved on Apr. 3, 2020]. Retrieved from the Internet: <URL:<https://skydogrigging.com/stainless-steel-marine-hardware/blocks-pulleys/pulley-block-tear-drop-shape.htm>> (Year: 2020).*

Stein Stainless Steel Pulley SHERRILLtree, <https://www.sherrilltree.com> [online], published on or before Apr. 3, 2020, [retrieved on Apr. 3, 2020]. Retrieved from the Internet: <URL:<https://www.sherrilltree.com/stein-stainless-steel-pulley>> (Year: 2020).*

Pulley Block—Tear Drop Shape, <https://skydogrigging.com> [online], Published on or before Apr. 3, 2020, [retrieved on Apr. 3, 2020]. Retrieved from the Internet: <URL:<https://skydogrigging.com/stainless-steel-marine-hardware/blocks-pulleys/pulley-block-tear-drop-shape.html>> (Year: 2020).*

Portable Winch 3 Swing Side Pulley, www.westechrigging.com [online], Published on or before Apr. 3, 2020, [retrieved on Apr. 3, 2020]. Retrieved from the Internet: <URL:<https://www.westechrigging.com/pulley-portable-winch-1275.html>> (Year: 2020).*

* cited by examiner

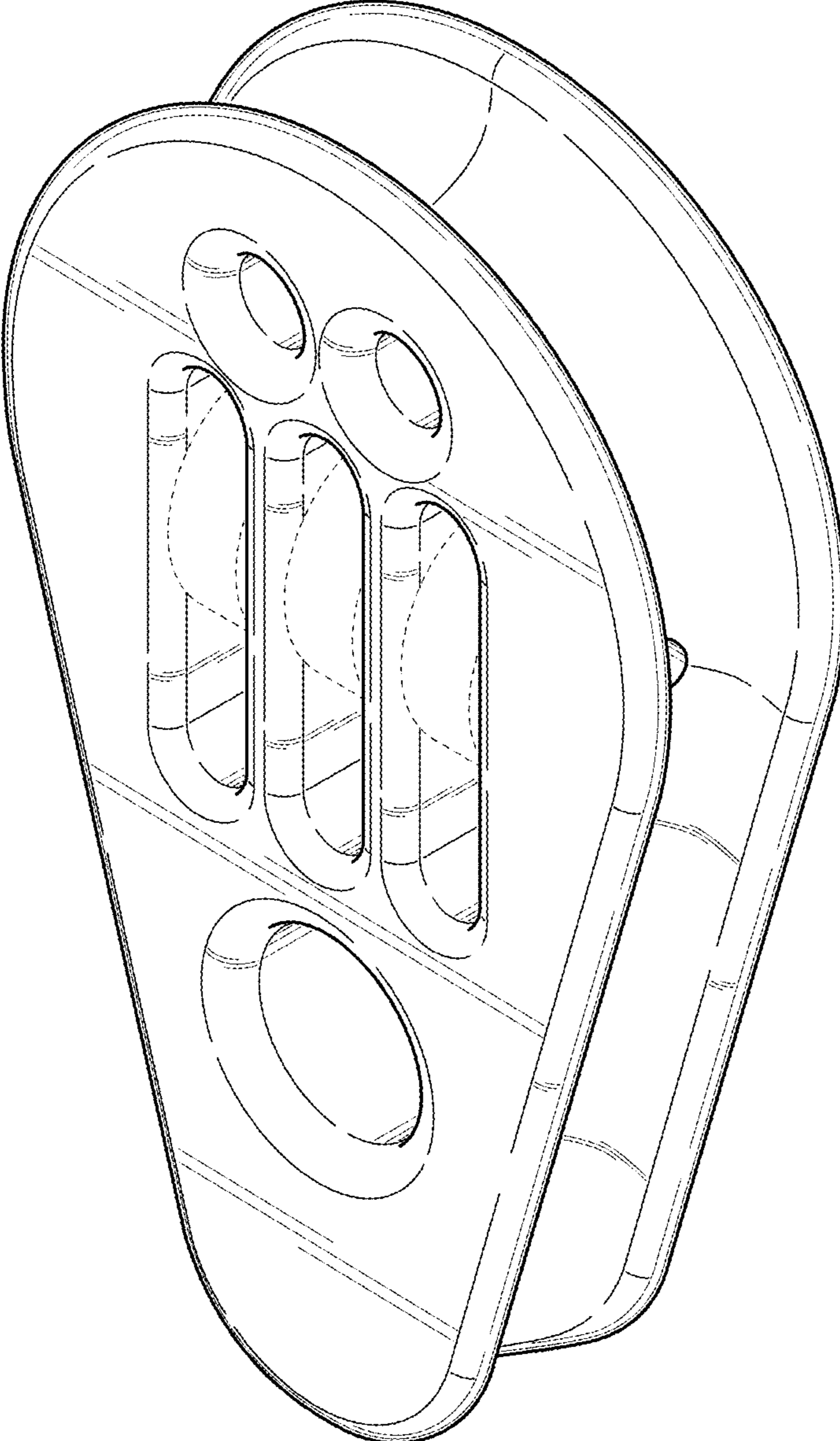


FIG. 1

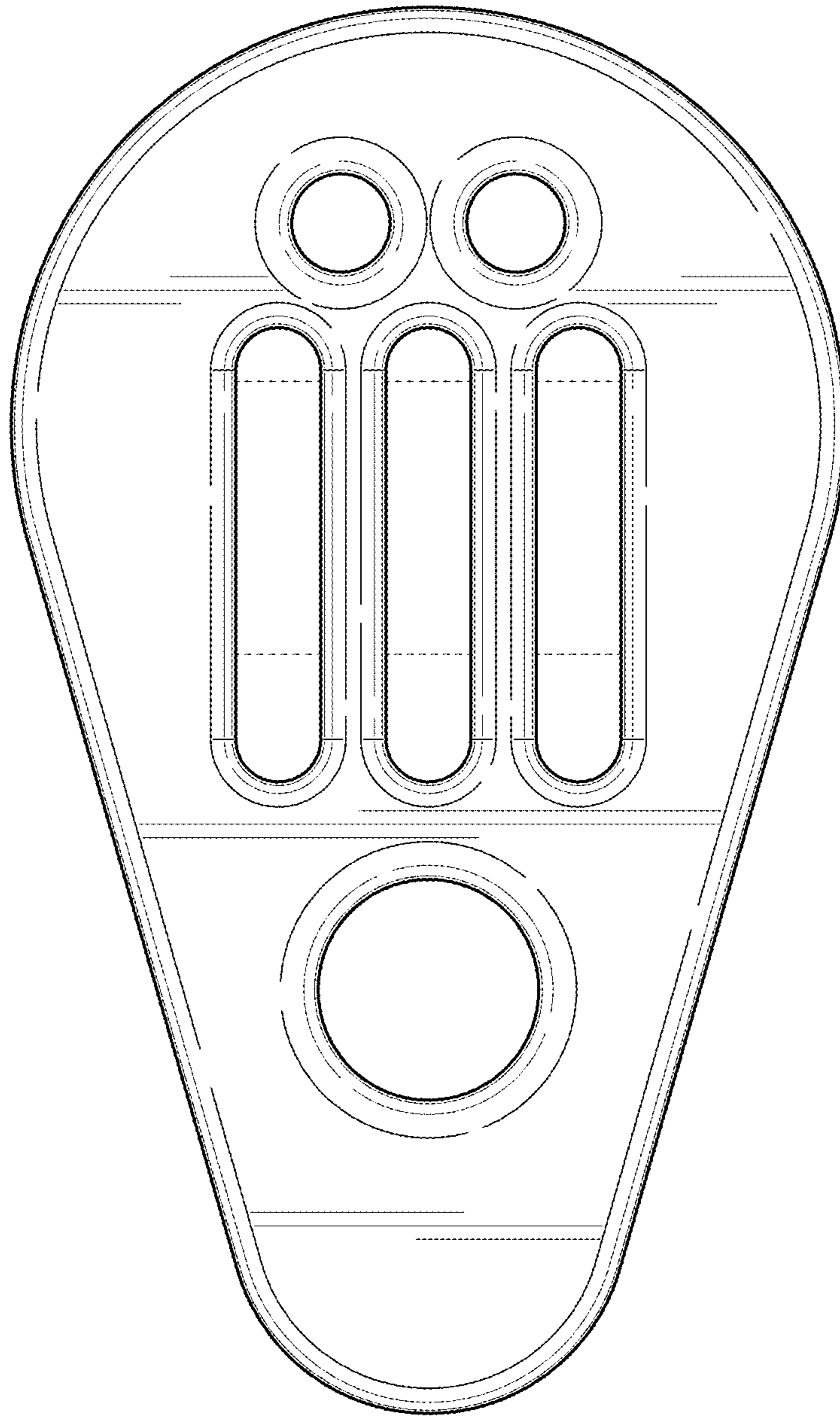


FIG. 2

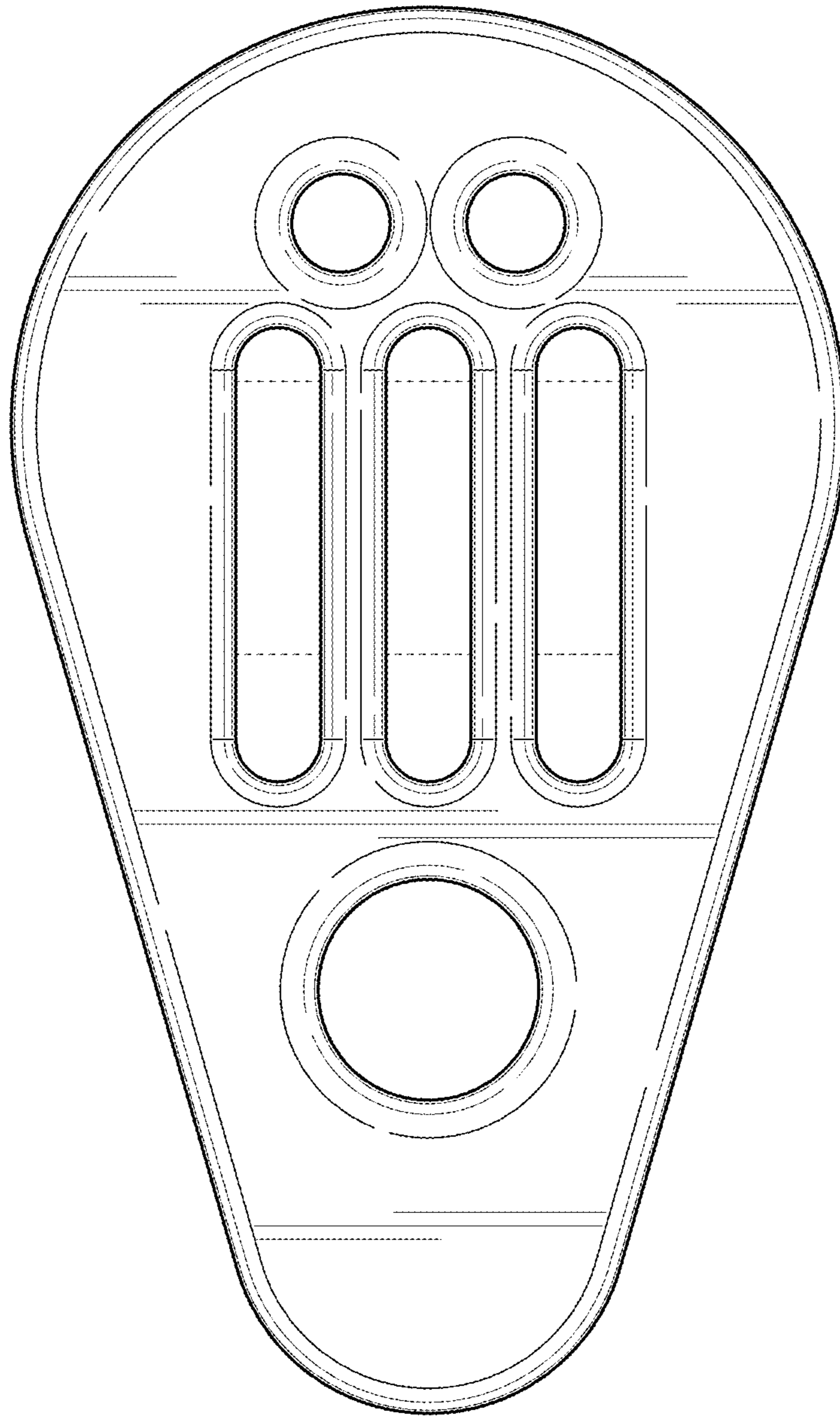


FIG. 3

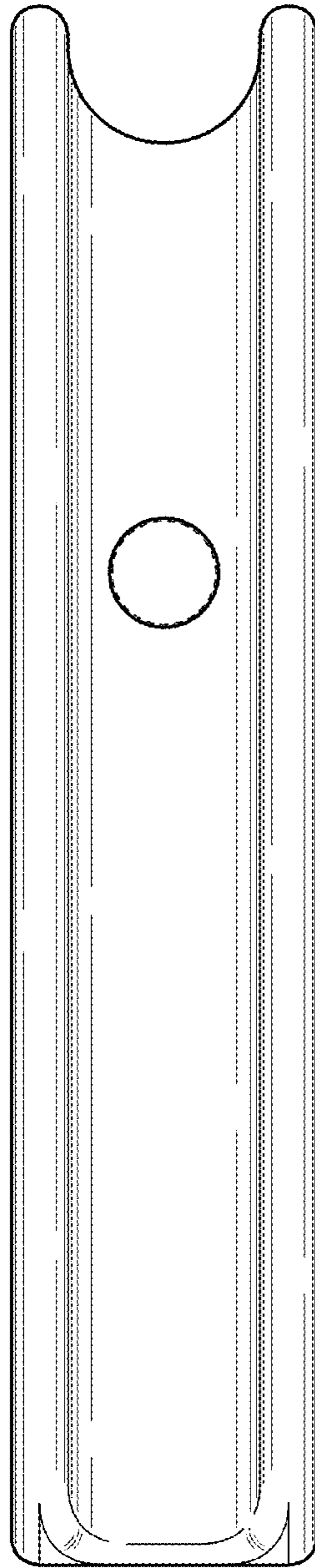


FIG. 4

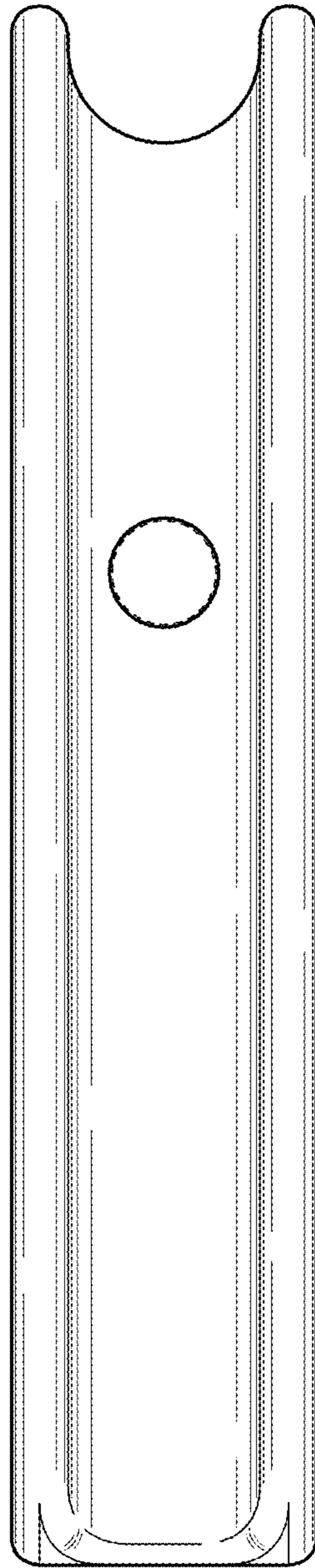


FIG. 5

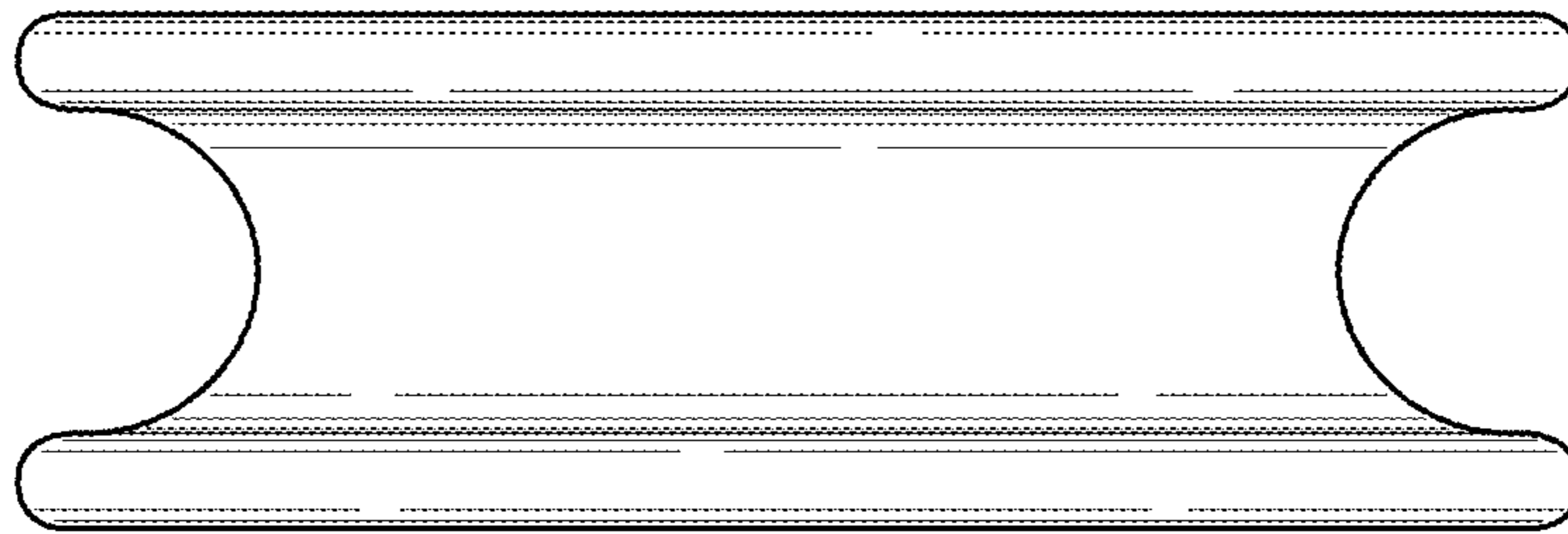


FIG. 6

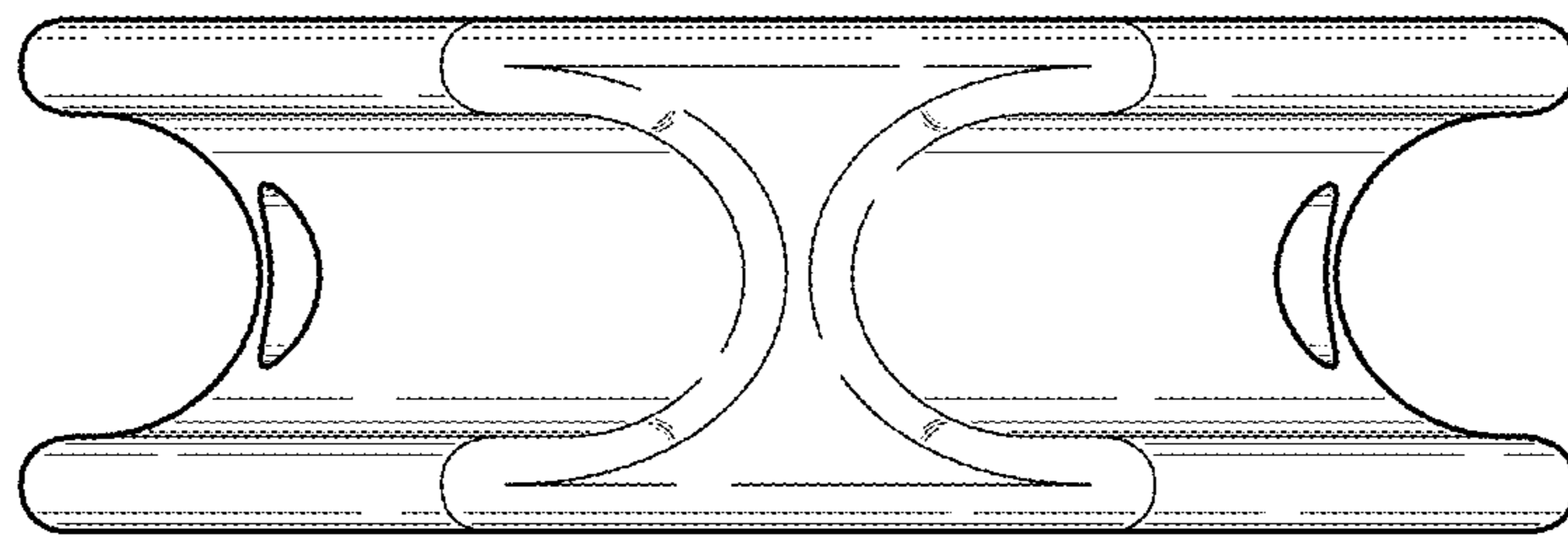


FIG. 7