



US00D887820S

(12) **United States Design Patent** (10) **Patent No.:** **US D887,820 S**
Zhang et al. (45) **Date of Patent:** **** Jun. 23, 2020**

(54) **GRID CLIP CONVERTER**

(71) Applicants: **Kai Zhang**, Los Angeles, CA (US);
Saeed Nikayin, Los Angeles, CA (US);
Gilbert Loera, Los Angeles, CA (US)

(72) Inventors: **Kai Zhang**, Los Angeles, CA (US);
Saeed Nikayin, Los Angeles, CA (US);
Gilbert Loera, Los Angeles, CA (US)

(**) Term: **15 Years**

(21) Appl. No.: **29/668,012**

(22) Filed: **Oct. 26, 2018**

(51) **LOC (12) Cl.** **08-05**

(52) **U.S. Cl.**
USPC **D8/354**

(58) **Field of Classification Search**
USPC D8/354
CPC E04B 9/10
See application file for complete search history.

(56) **References Cited**

U.S. PATENT DOCUMENTS

D421,897 S	3/2000	Washecheck et al.	
7,062,886 B2	6/2006	Auriemma	
8,297,579 B1	10/2012	Gretz	
D705,040 S *	5/2014	Konrad	D8/354
D732,929 S *	6/2015	Harrow	D8/354
D819,427 S *	6/2018	Mercaldi	D8/354
D841,432 S *	2/2019	Nikayin	D8/354
D853,377 S *	7/2019	Crandon	D14/253
D866,299 S *	11/2019	Kovacs	D8/354
D866,300 S *	11/2019	Mercier	D8/354

OTHER PUBLICATIONS

Erico 510HD, posted at reynoldsonline.com, posting date not given, [online], [site visited Mar. 9, 2020]. Available from Internet, URL:

https://www.reynoldsonline.com/2369353/Product/Erico_510HD (Year: 2020).*

Erico 515, posted at reynoldsonline.com, posting date not given, [online], [site visited Mar. 9, 2020]. Available from Internet, URL: https://www.reynoldsonline.com/2345015/Product/Erico_515 (Year: 2020).*

* cited by examiner

Primary Examiner — George D. Kirschbaum

Assistant Examiner — Maria J Edwards

(74) *Attorney, Agent, or Firm* — Kirk A. Buhler; Buhler & Associates Patenting

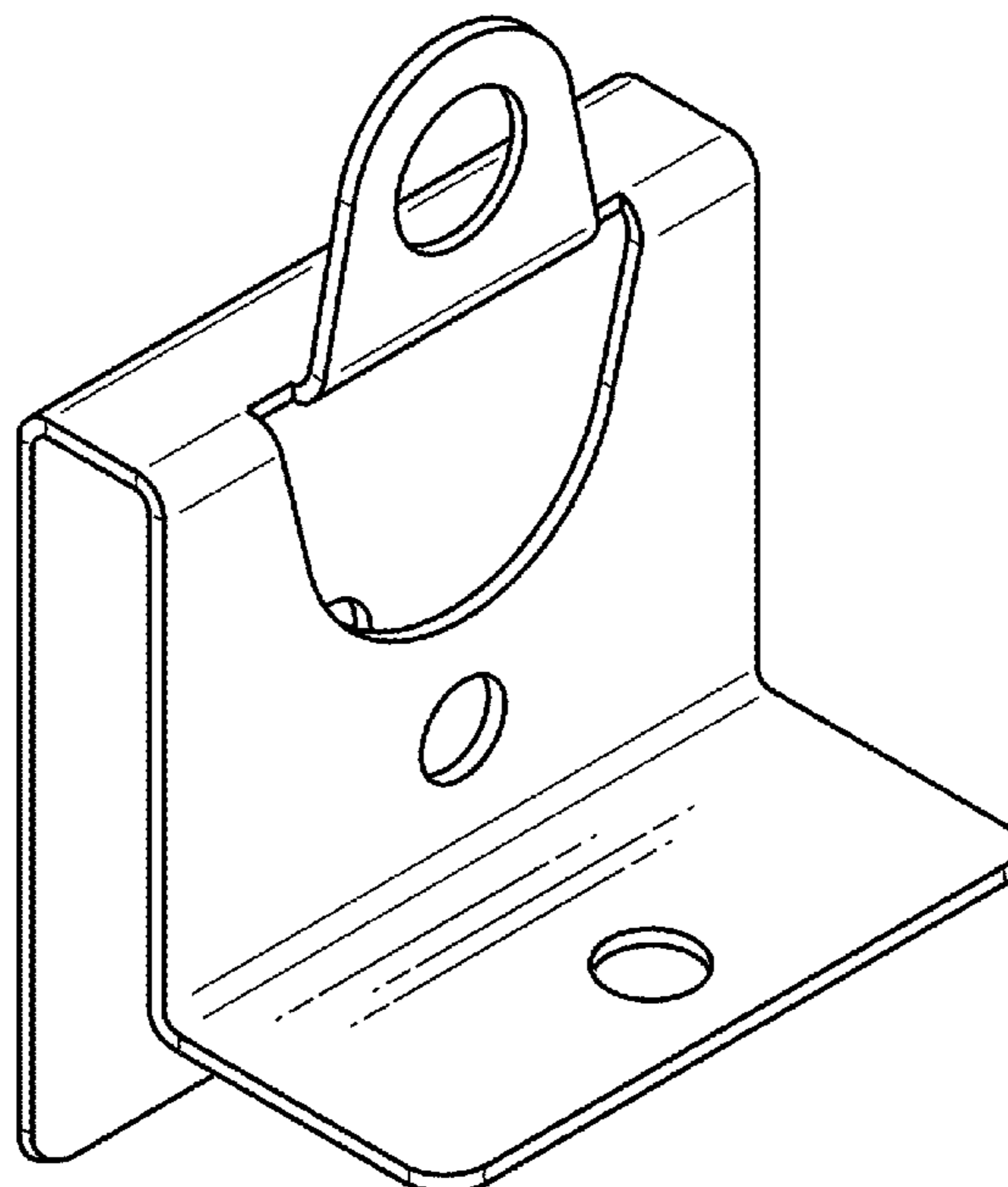
(57) **CLAIM**

The ornamental design for a grid clip converter, as shown and described.

DESCRIPTION

FIG. 1 is a top perspective view of a grid clip converter, showing our new design in its environment; FIG. 2 is a top plan view thereof; FIG. 3 is a bottom view thereof; FIG. 4 is a front elevation view thereof; FIG. 5 is a rear elevation view thereof; FIG. 6 is a left side elevation view, the right side elevation view being a mirror image thereof; FIG. 7 is a cross-sectional view thereof, taken along line 7-7 in FIG. 4; FIG. 8 is a rear perspective view thereof; and, FIG. 9 is a front perspective view. The broken lines in FIG. 1 depict environmental subject matter and form no part of the claimed design.

1 Claim, 5 Drawing Sheets



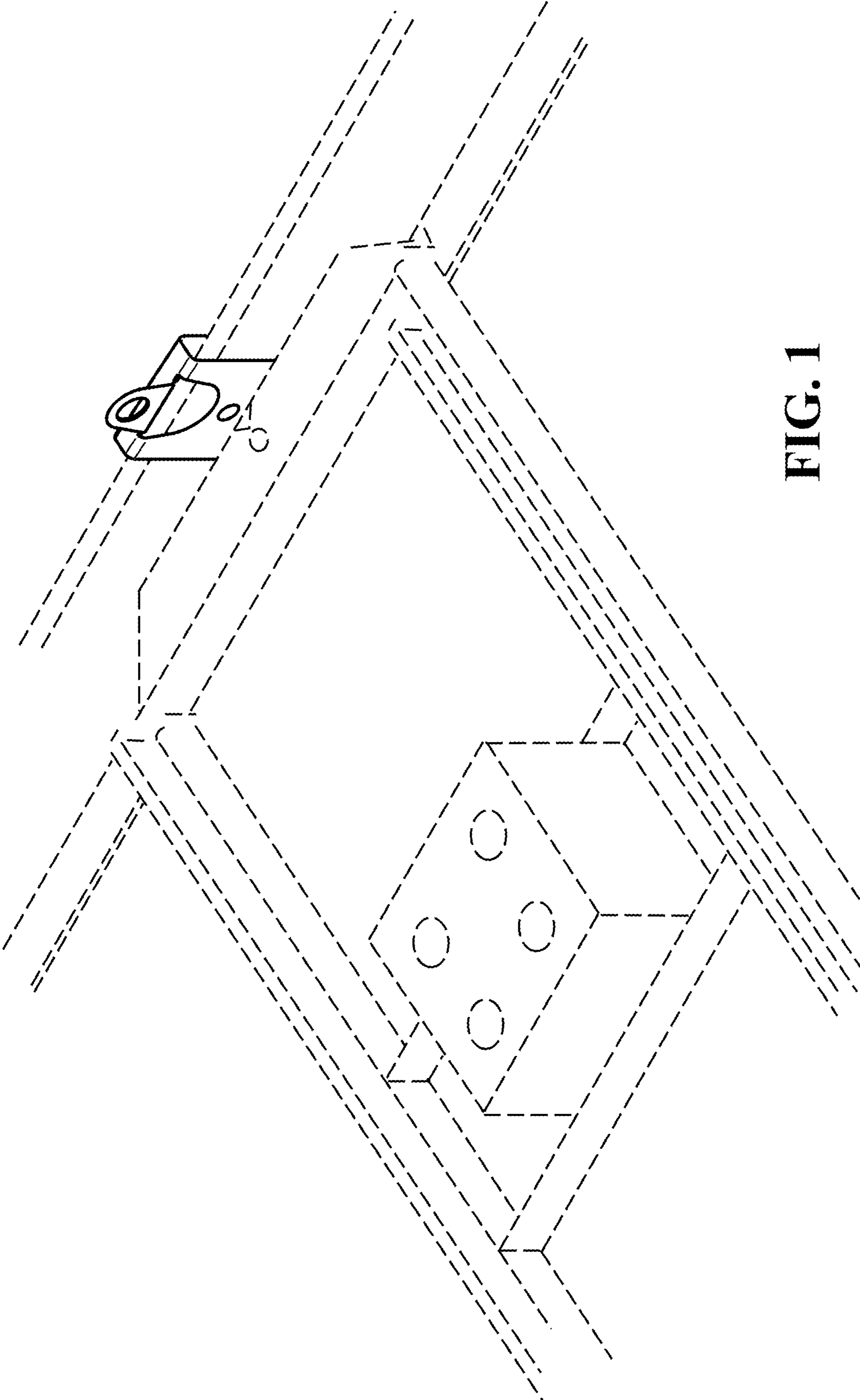


FIG. 1

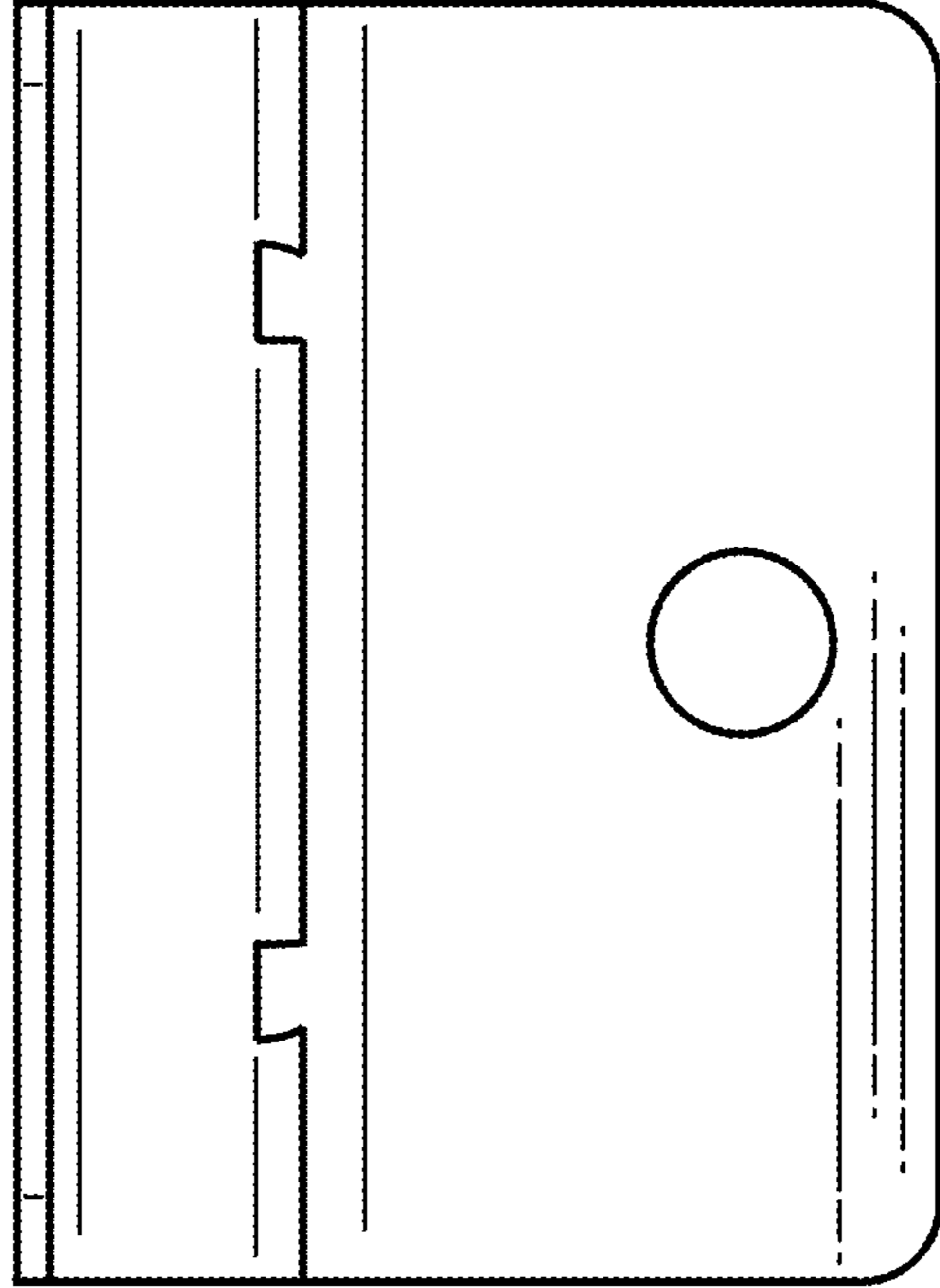


FIG. 2

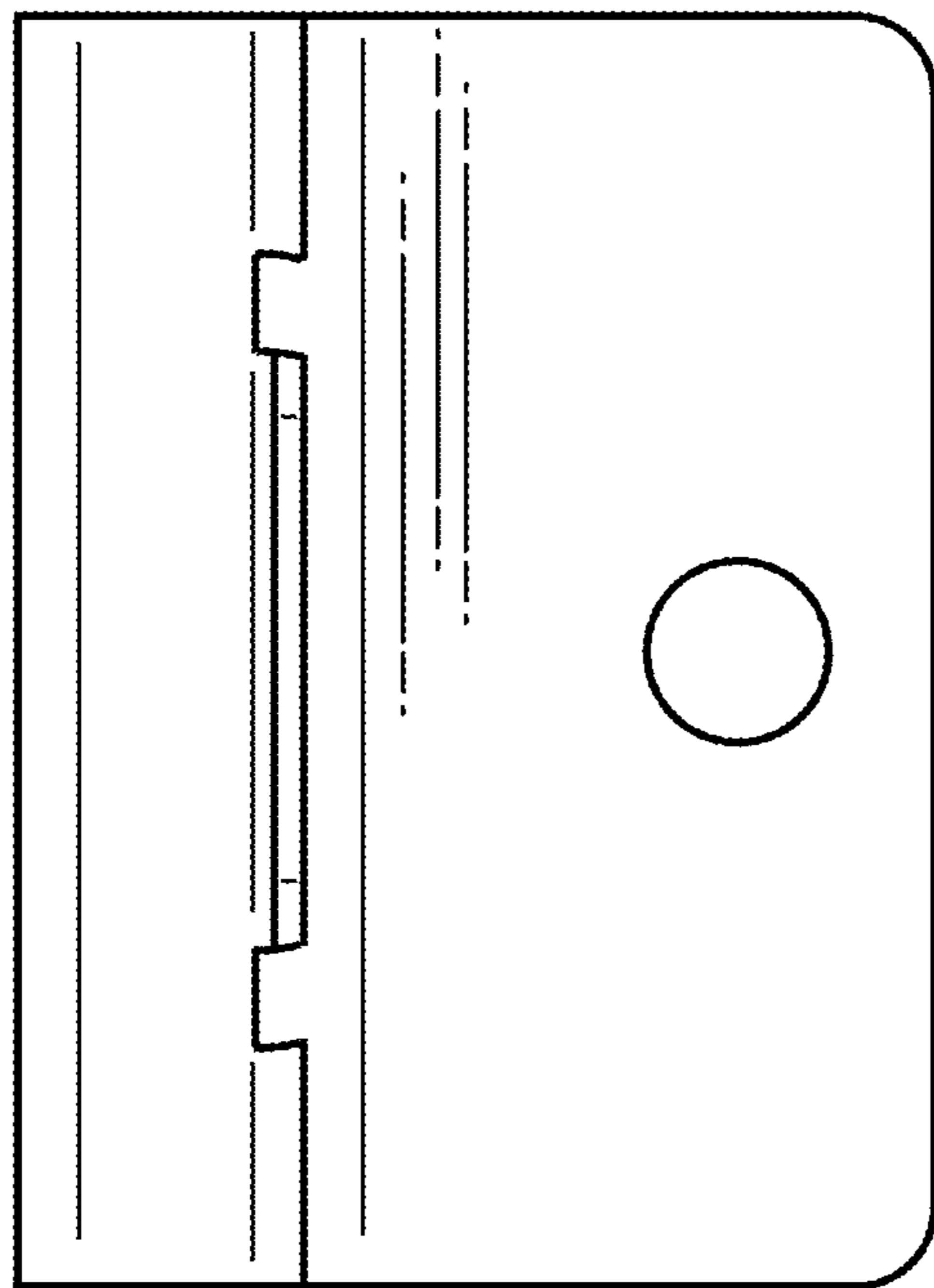


FIG. 3

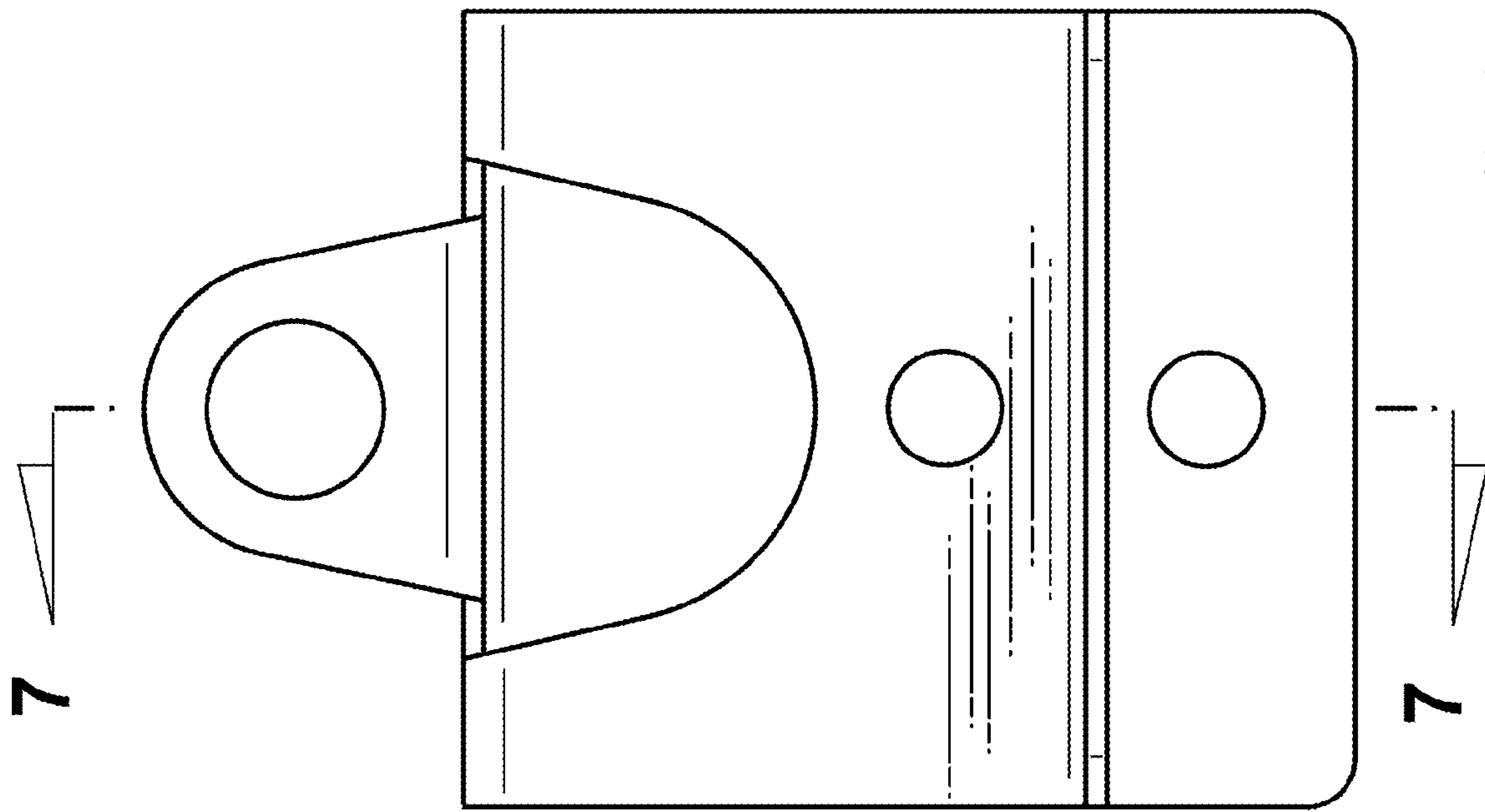


FIG. 4

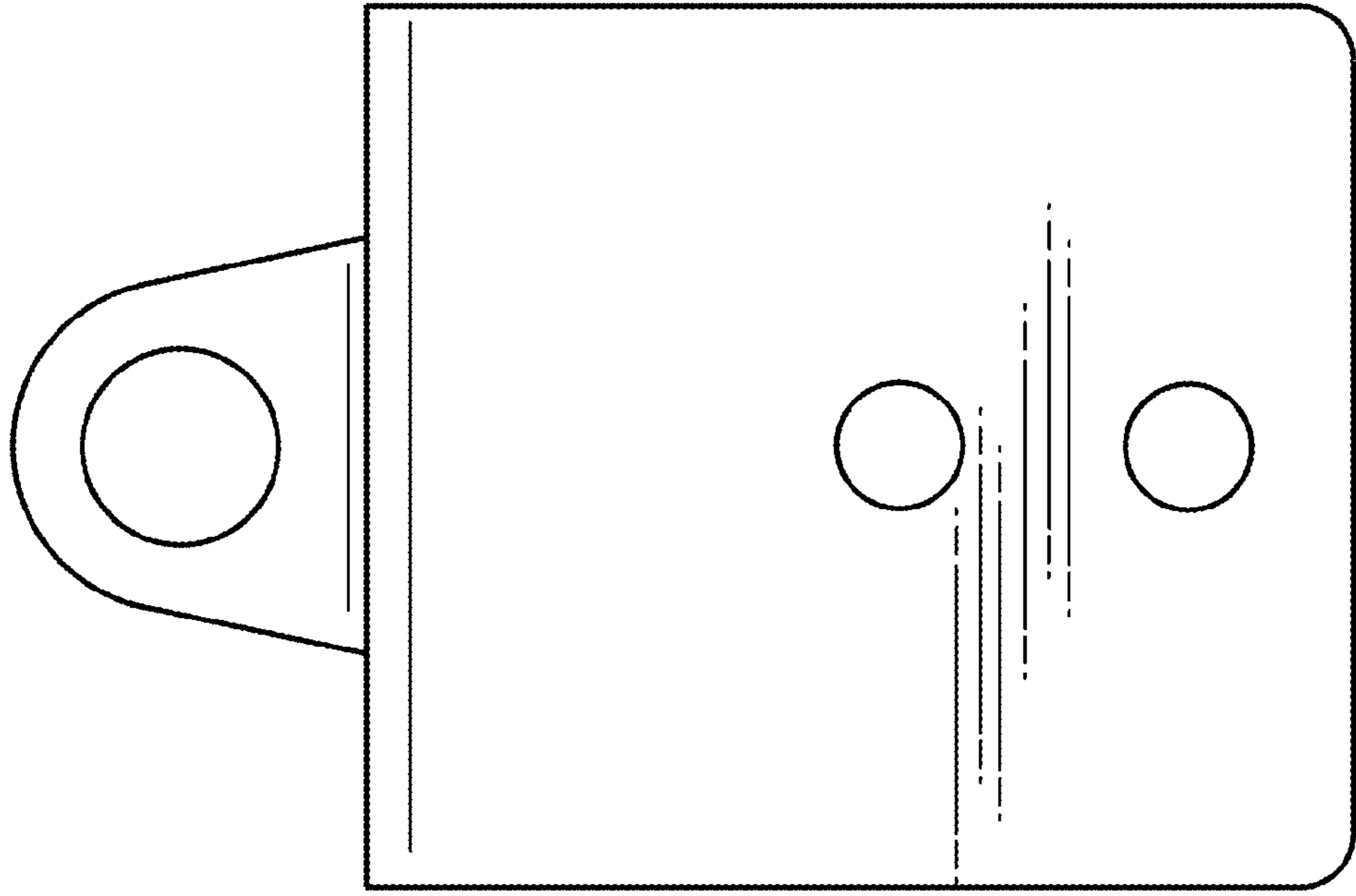


FIG. 5

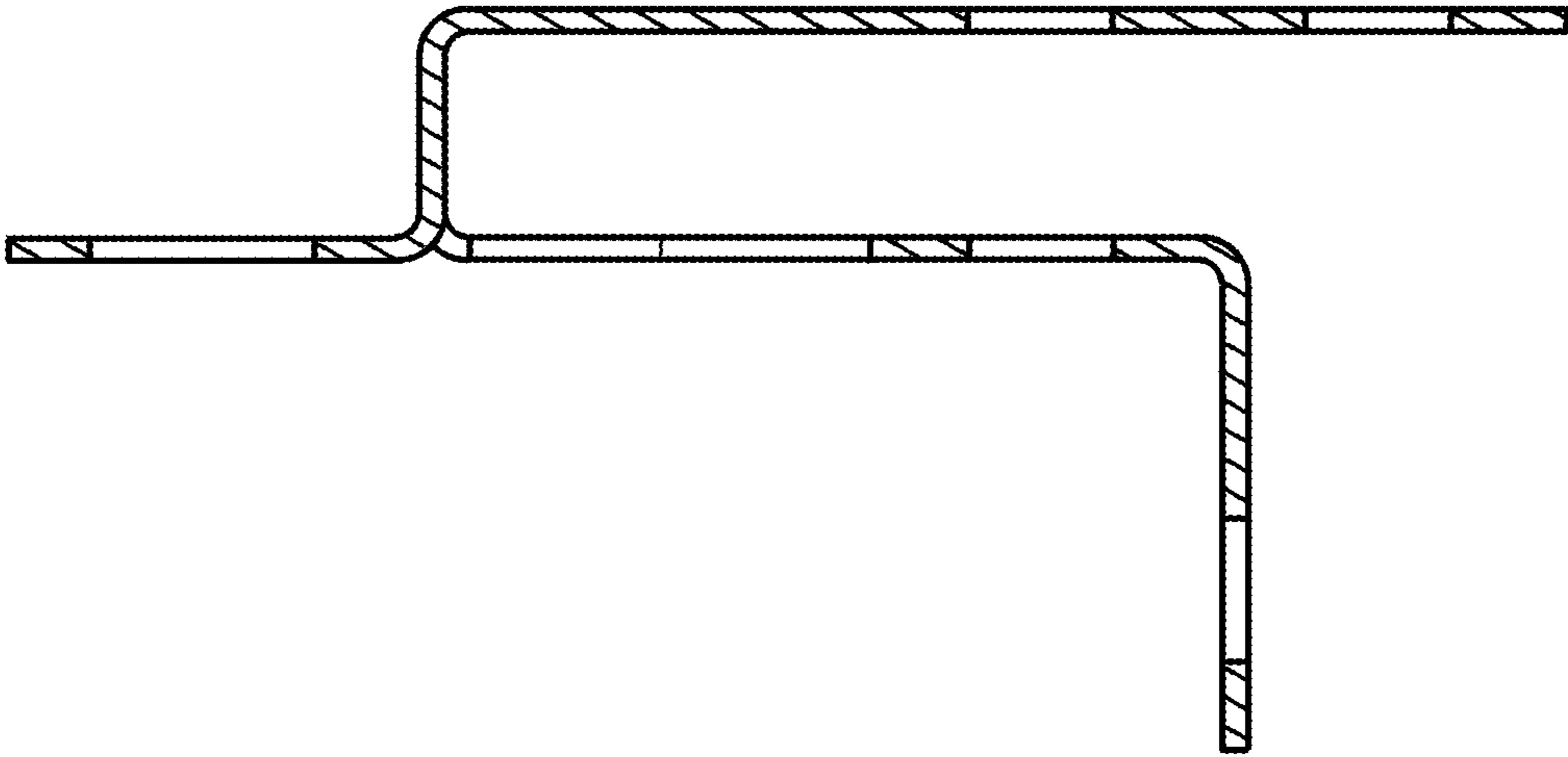


FIG. 7

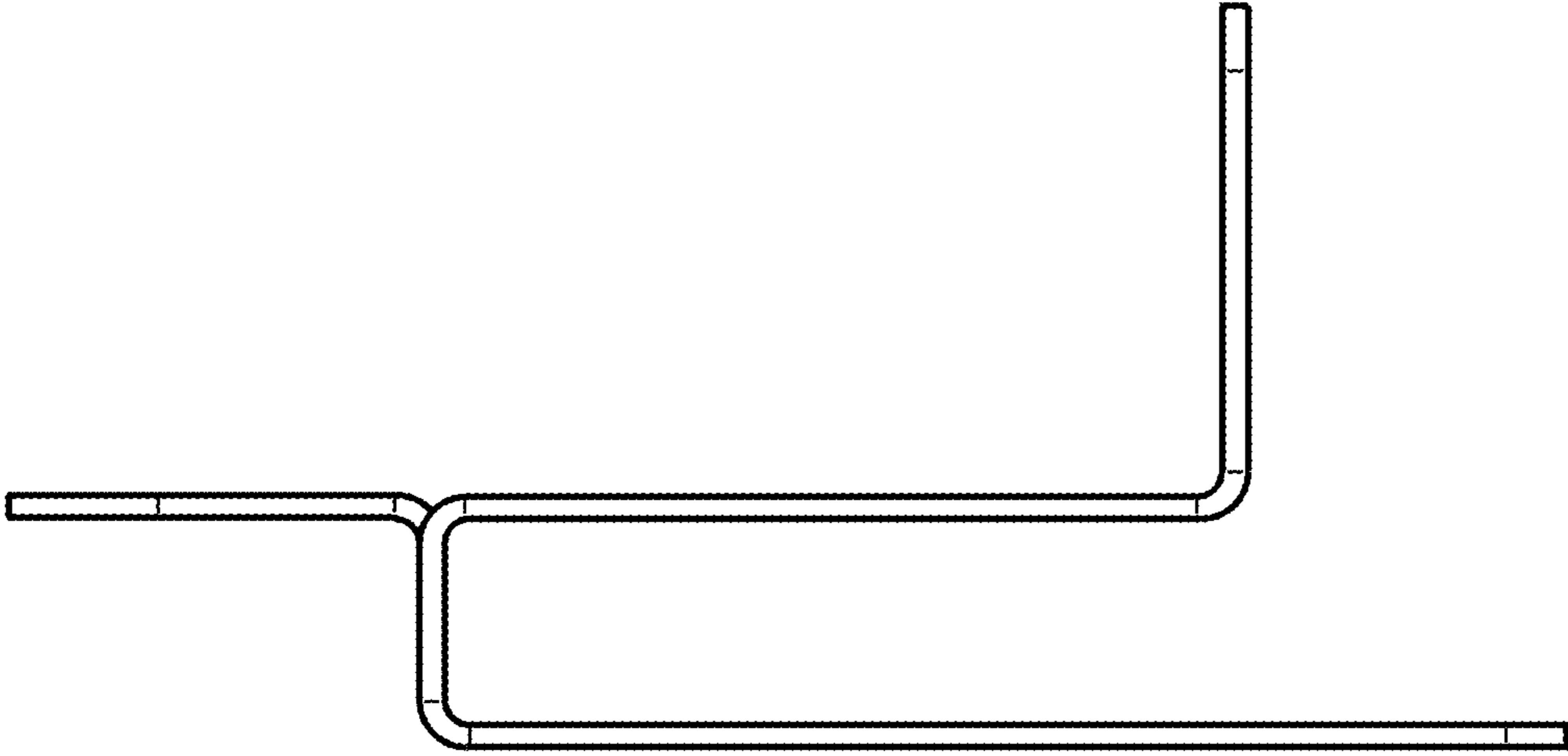


FIG. 6

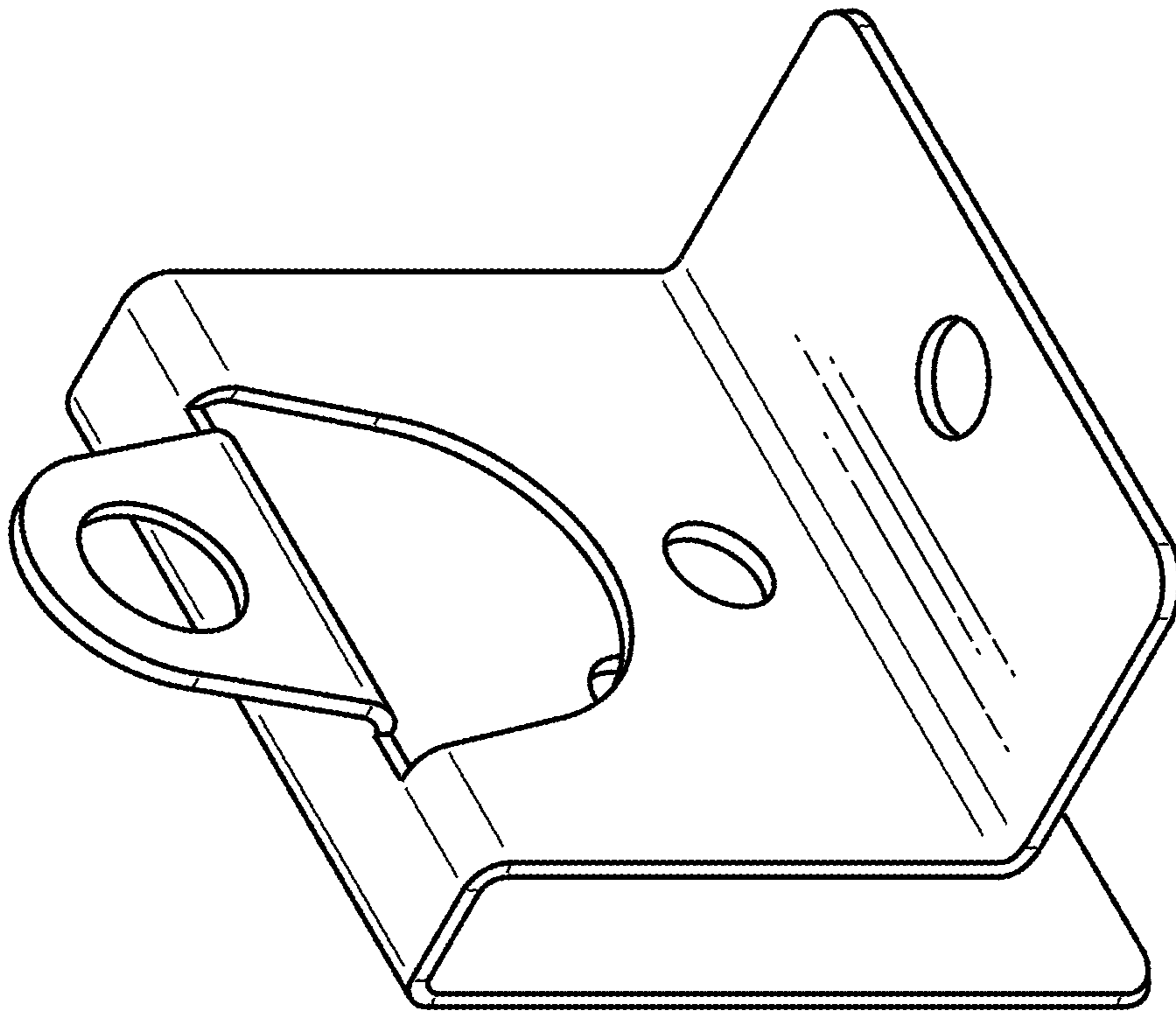


FIG. 9

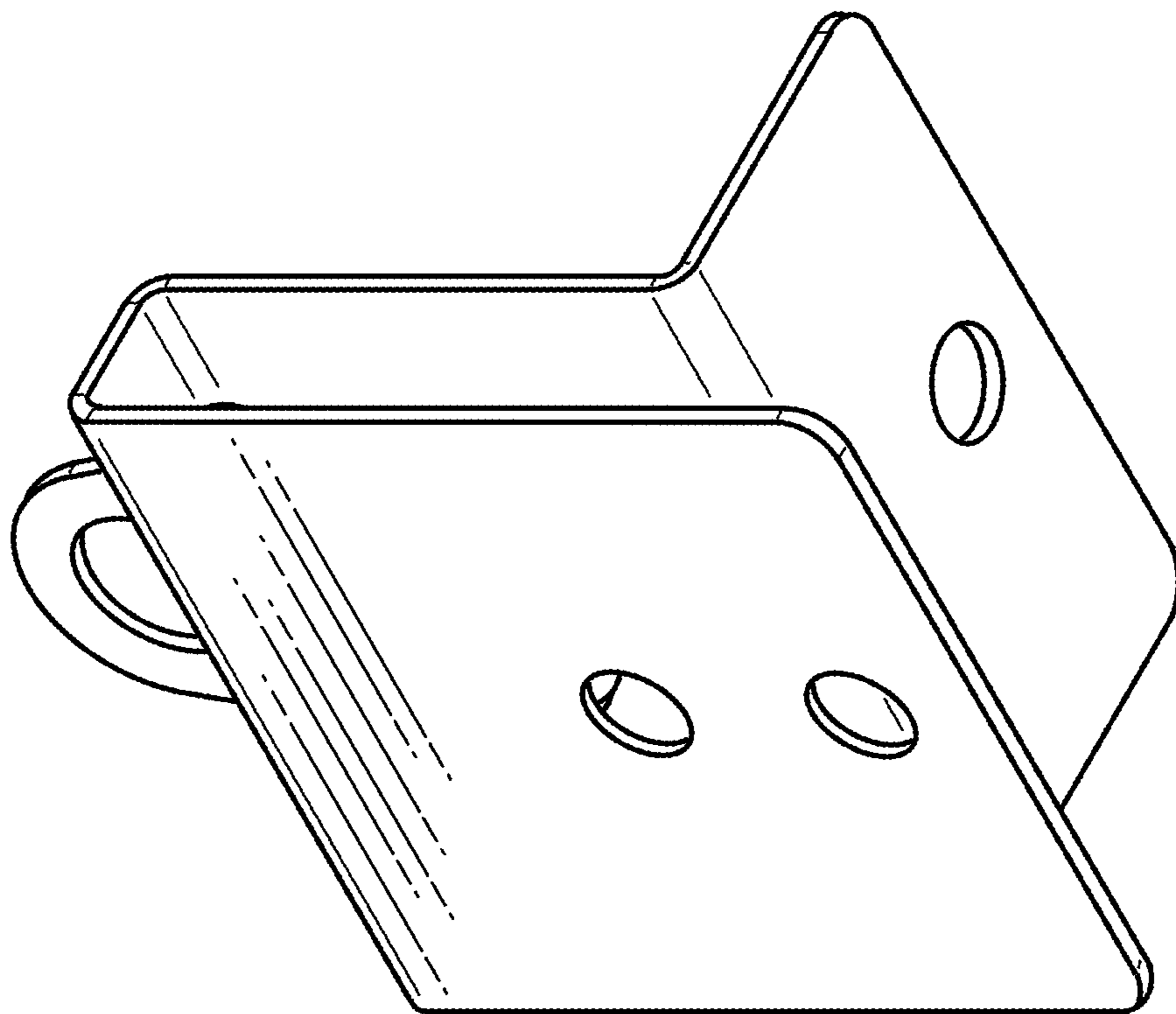


FIG. 8