



US00D887818S

(12) **United States Design Patent**
Lynch et al.

(10) **Patent No.:** **US D887,818 S**
(45) **Date of Patent:** **** Jun. 23, 2020**

(54) **CONNECTOR**

(71) Applicant: **LensLock, Inc.**, San Diego, CA (US)

(72) Inventors: **Jeremy Lynch**, San Diego, CA (US);
Jack Madrid, San Diego, CA (US)

(73) Assignee: **LensLock, Inc.**, Poway, CA (US)

(**) Term: **15 Years**

(21) Appl. No.: **29/700,590**

(22) Filed: **Aug. 2, 2019**

Related U.S. Application Data

(63) Continuation of application No. 29/645,514, filed on
Apr. 26, 2018, now Pat. No. Des. 862,200.

(51) **LOC (12) Cl.** **08-08**

(52) **U.S. Cl.**
USPC **D8/349**

(58) **Field of Classification Search**
USPC D8/354, 355, 363, 373–377

(Continued)

(56) **References Cited**

U.S. PATENT DOCUMENTS

213,203 A * 3/1879 Jewell B60T 3/00
188/32
2,849,027 A * 8/1958 Tetyak F16L 3/227
138/112

(Continued)

Primary Examiner — Mark A Goodwin

Assistant Examiner — Benjamin M Weeks

(74) *Attorney, Agent, or Firm* — Troutman Sanders LLP

(57) **CLAIM**

We claim the ornamental design for a connector, as shown
and described.

DESCRIPTION

FIG. 1 is a forward perspective view of a connector;
FIG. 2 is a forward plan view of the connector shown in FIG.
1;

FIG. 3 is a rear plan view of the connector shown in FIG. 1;
FIG. 4 is a left side view of the connector shown in FIG. 1;
FIG. 5 is a right side view of the connector shown in FIG.
1;

FIG. 6 is a top plan view of the connector shown in FIG. 1;
FIG. 7 is a bottom plan view of the connector shown in FIG.
1;

FIG. 8 is an exploded forward perspective view of the
connector in FIG. 1; and

FIG. 9 is an exploded rear perspective view of the connector
in FIG. 1;

FIG. 10 is a forward perspective view of another embodi-
ment of the connector;

FIG. 11 is a forward plan view of the connector shown in
FIG. 10;

FIG. 12 is a rear plan view of the connector shown in FIG.
10;

FIG. 13 is a left side view of the connector shown in FIG.
10;

FIG. 14 is a right side view of the connector shown in FIG.
10;

FIG. 15 is a top plan view of the connector shown in FIG.
10;

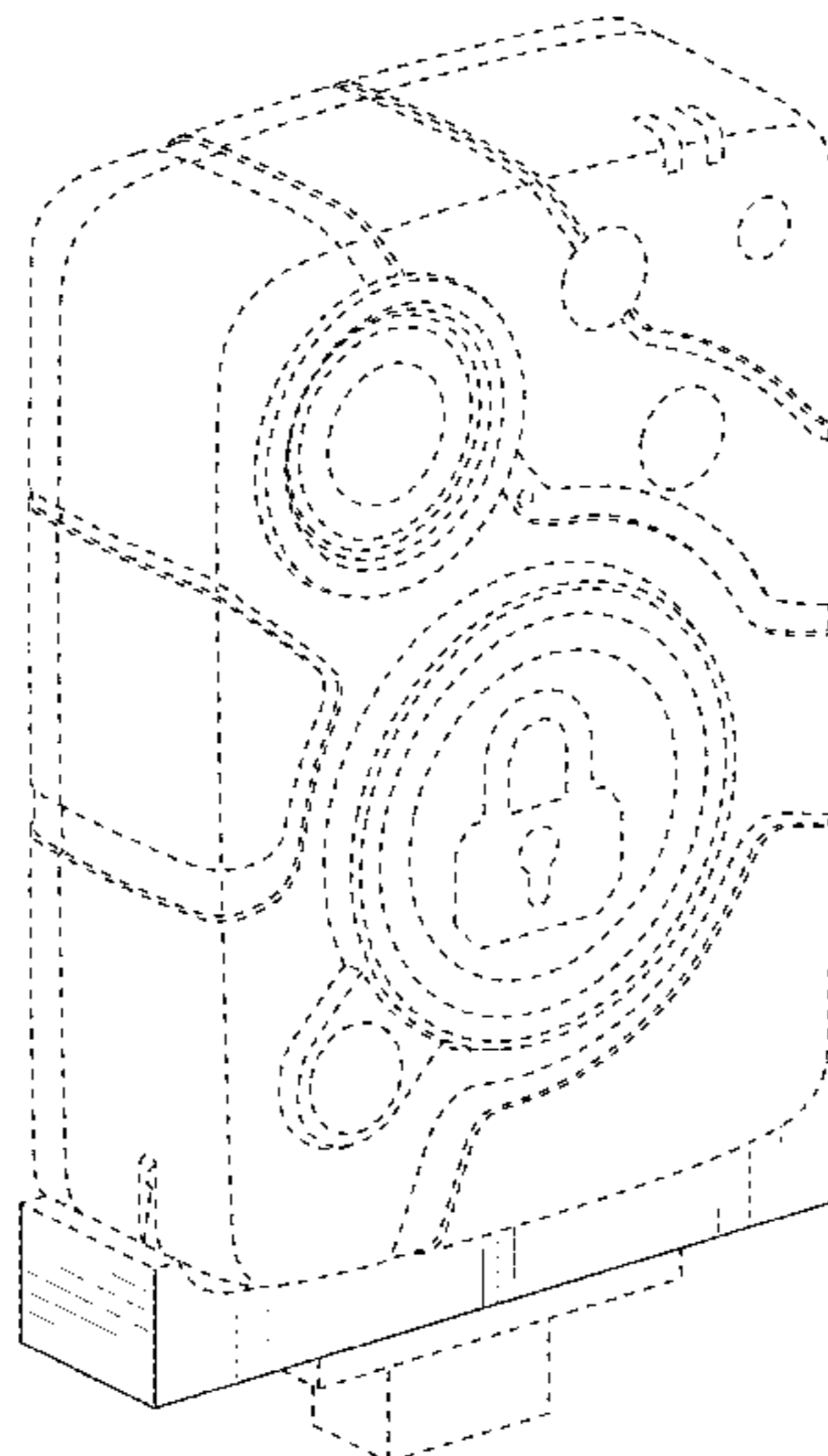
FIG. 16 is a bottom plan view of the connector shown in
FIG. 10;

FIG. 17 is an exploded forward perspective view of the
connector in FIG. 10; and,

FIG. 18 is an exploded rear perspective view of the con-
nector in FIG. 10;

The broken lines shown represent unclaimed subject matter
and form no part of the claimed design. The shade lines
shown represent surface shading and not surface ornamen-
tation, color, or material type. The dot-dashed boundary
lines shown do not form part of the claimed design. The
bounds of the claimed design are defined with dot-dashed
boundary lines when the boundary does not exist in reality
in the article embodying the design. The illustrated designs
extend to the boundary but do not include the boundary.

1 Claim, 18 Drawing Sheets



(58) **Field of Classification Search**

CPC .. A47F 5/00; A47H 1/10; A47G 29/00; A47G
29/08; A47B 97/00; A47K 3/14

See application file for complete search history.

(56) **References Cited**

U.S. PATENT DOCUMENTS

3,091,348	A *	5/1963	Neuhauser	B65D 71/70 206/391
D247,467	S	3/1978	Morita	
4,917,219	A *	4/1990	Henry	B60T 3/00 188/32
D326,254	S *	5/1992	Ziaylek, Jr.	D12/217
D381,951	S *	8/1997	Hatfield	D12/217
D409,554	S *	5/1999	Henry	D12/217
D503,139	S *	3/2005	Colak	D12/217
D504,609	S	5/2005	Ferguson	
D556,017	S	11/2007	Hutter, III	
D593,221	S	5/2009	Lacas	
D618,157	S *	6/2010	Masters	D12/217
D622,131	S	8/2010	Tezak et al.	
D717,157	S	11/2014	Widdows et al.	
D733,530	S *	7/2015	Tonthat	D8/354
D734,132	S	7/2015	Ware	
D741,690	S	10/2015	Collins, IV	
D769,109	S	10/2016	Kaiser	
D772,775	S *	11/2016	Bird	D12/223
D774,385	S	12/2016	Kaiser	
D795,049	S	8/2017	Brigham et al.	
D830,280	S *	10/2018	Erickson	D12/217
D837,633	S *	1/2019	Allen	D8/354
D856,782	S *	8/2019	Bevier	D8/354
D857,483	S *	8/2019	Bevier	D8/354
D868,927	S *	12/2019	Rofkahr, Jr.	D22/108
2013/0104493	A1	5/2013	Orchard	

* cited by examiner

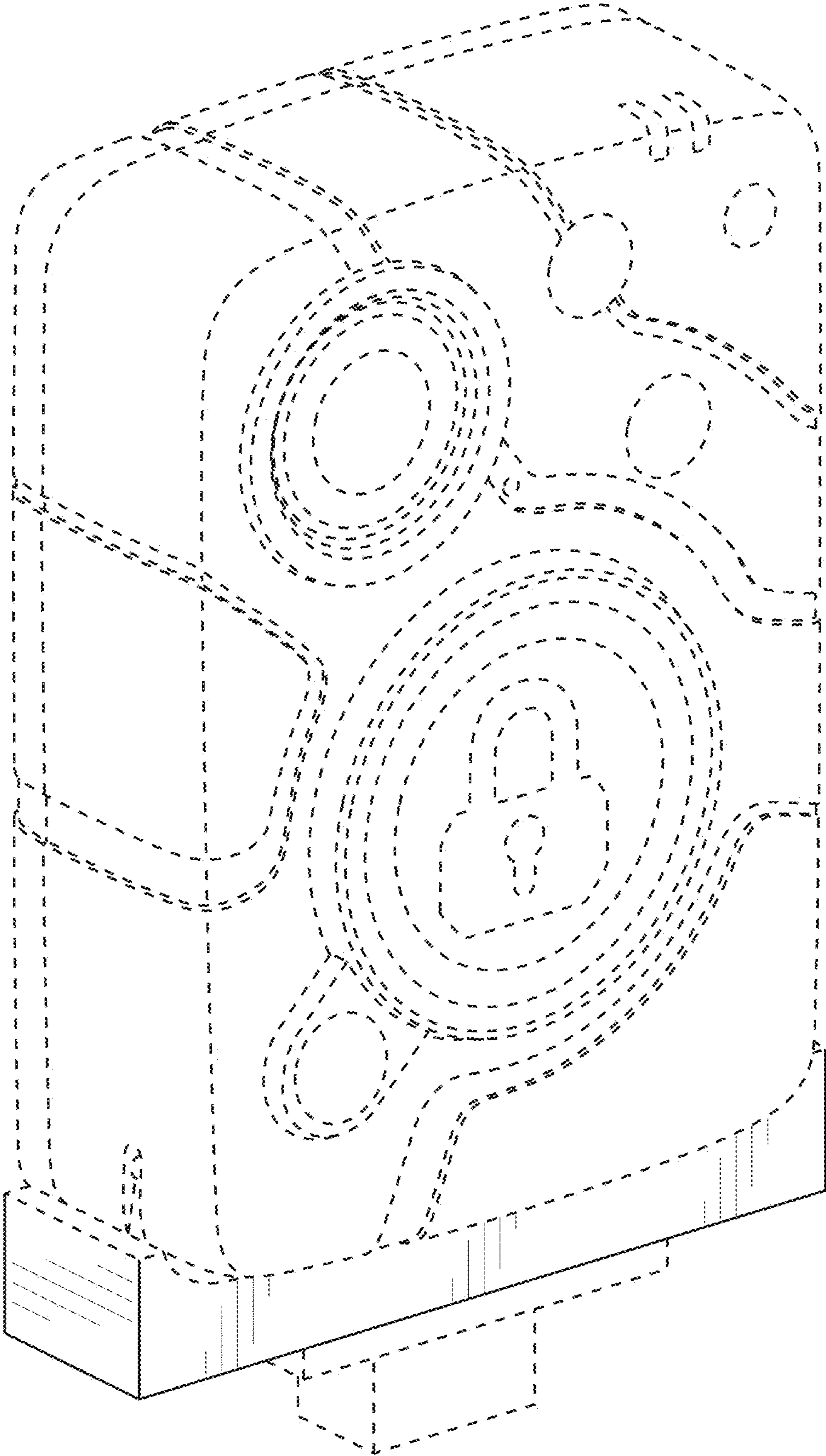


FIG. 1

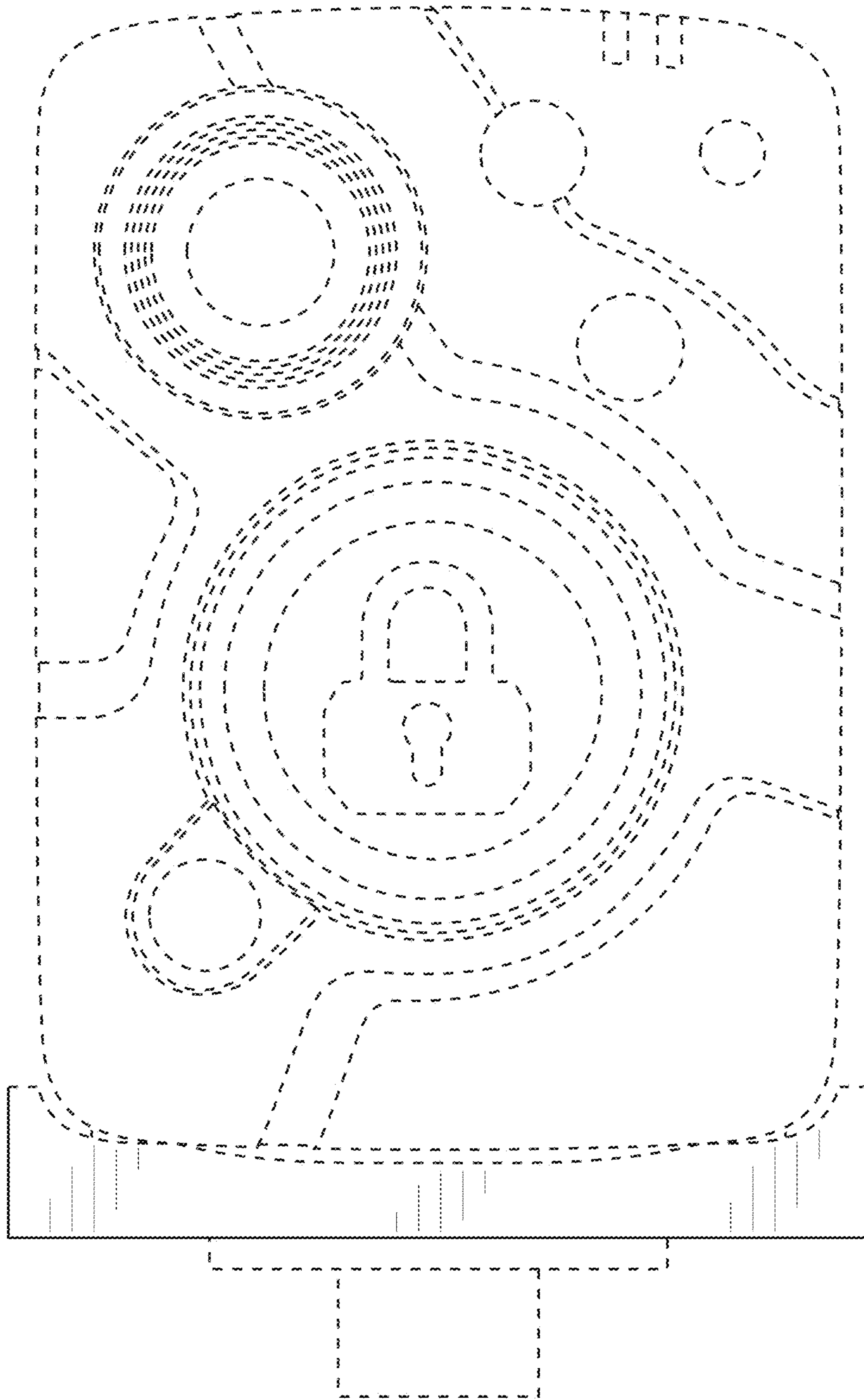


FIG. 2

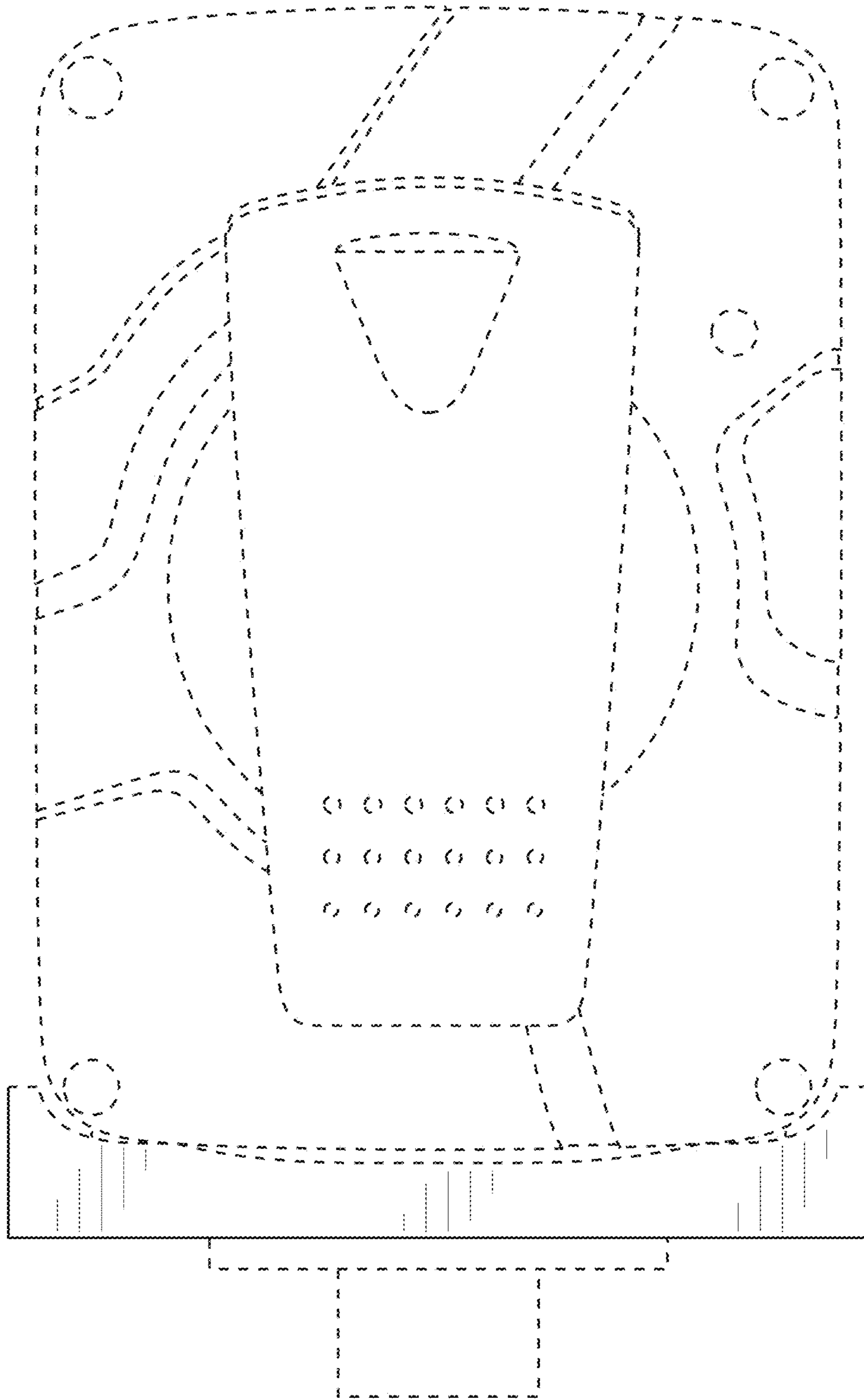


FIG. 3

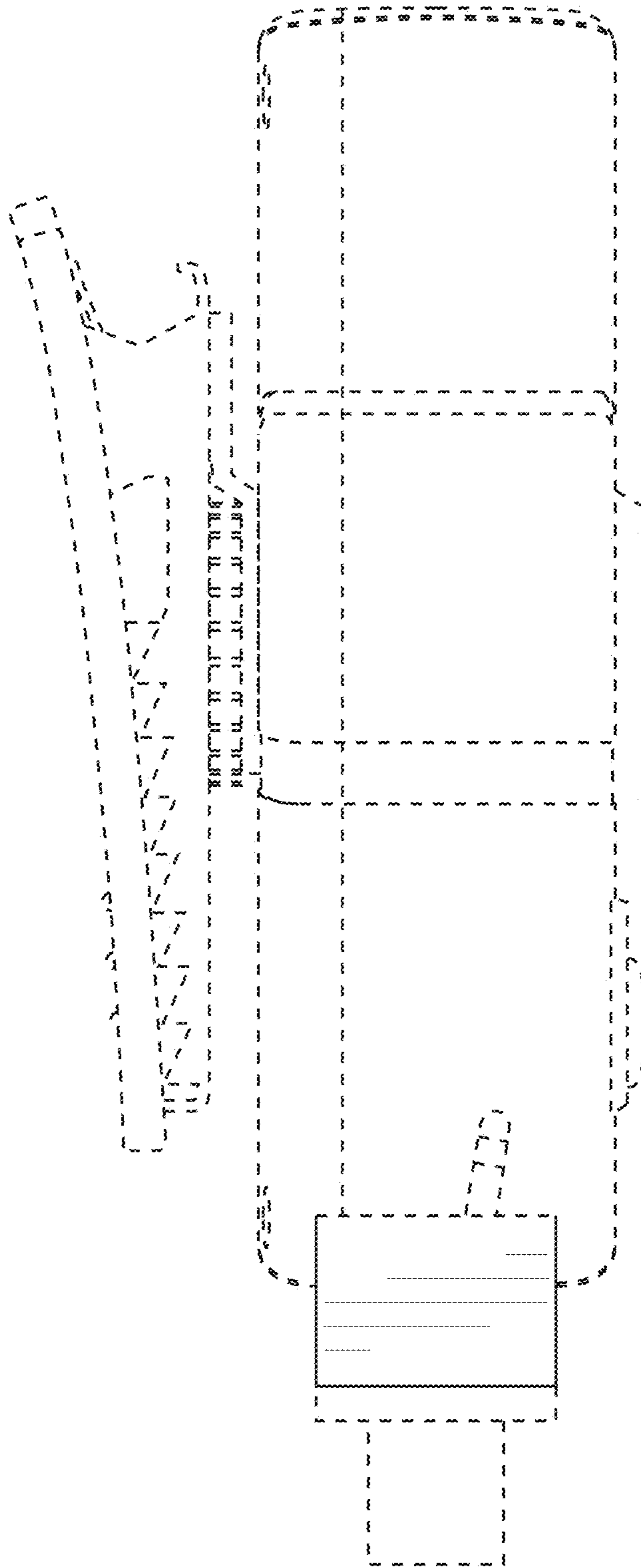


FIG. 4

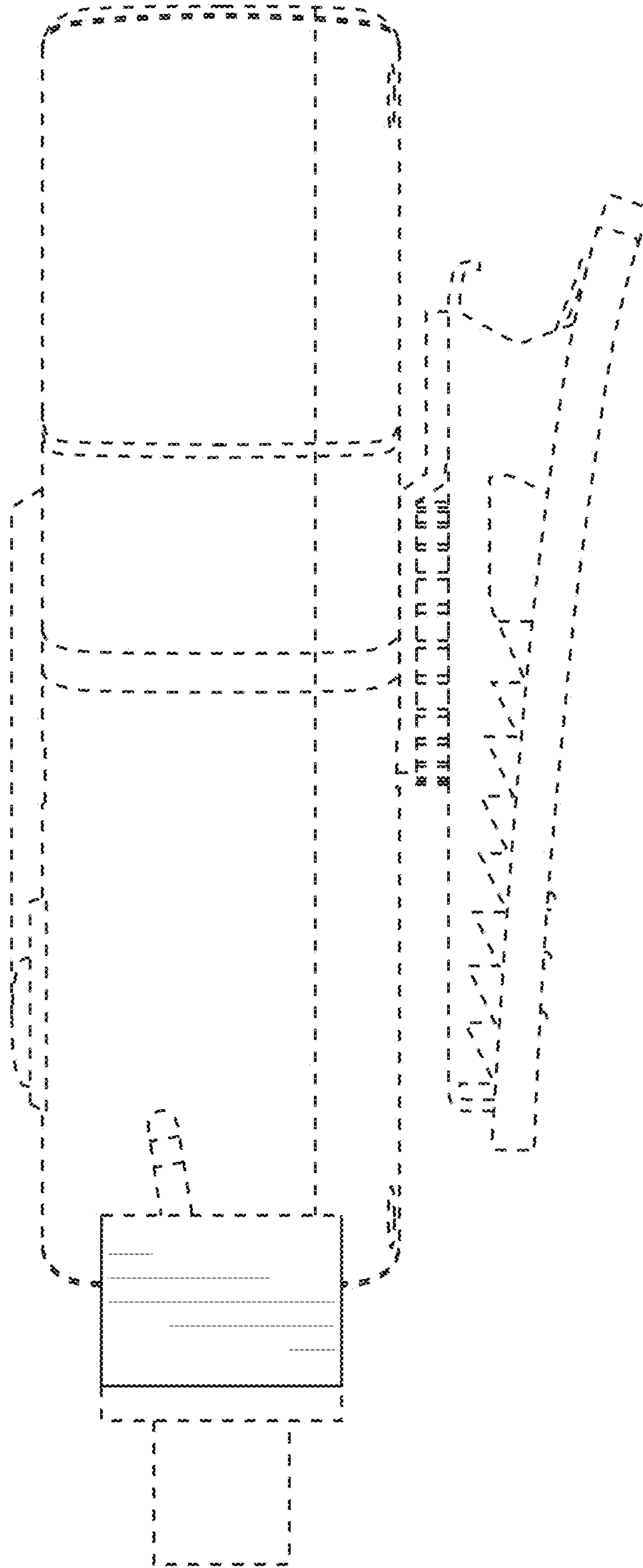


FIG. 5

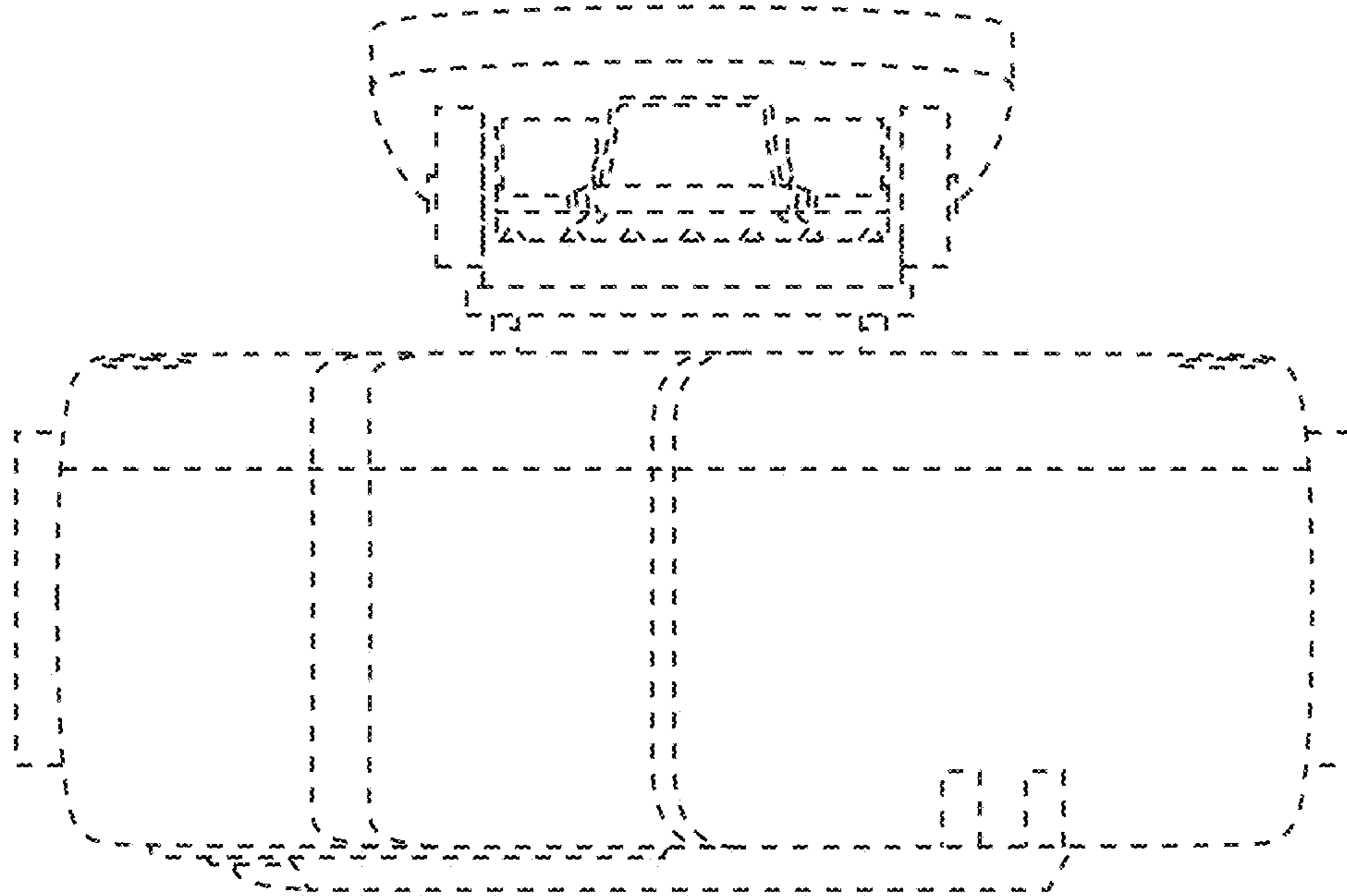


FIG. 6

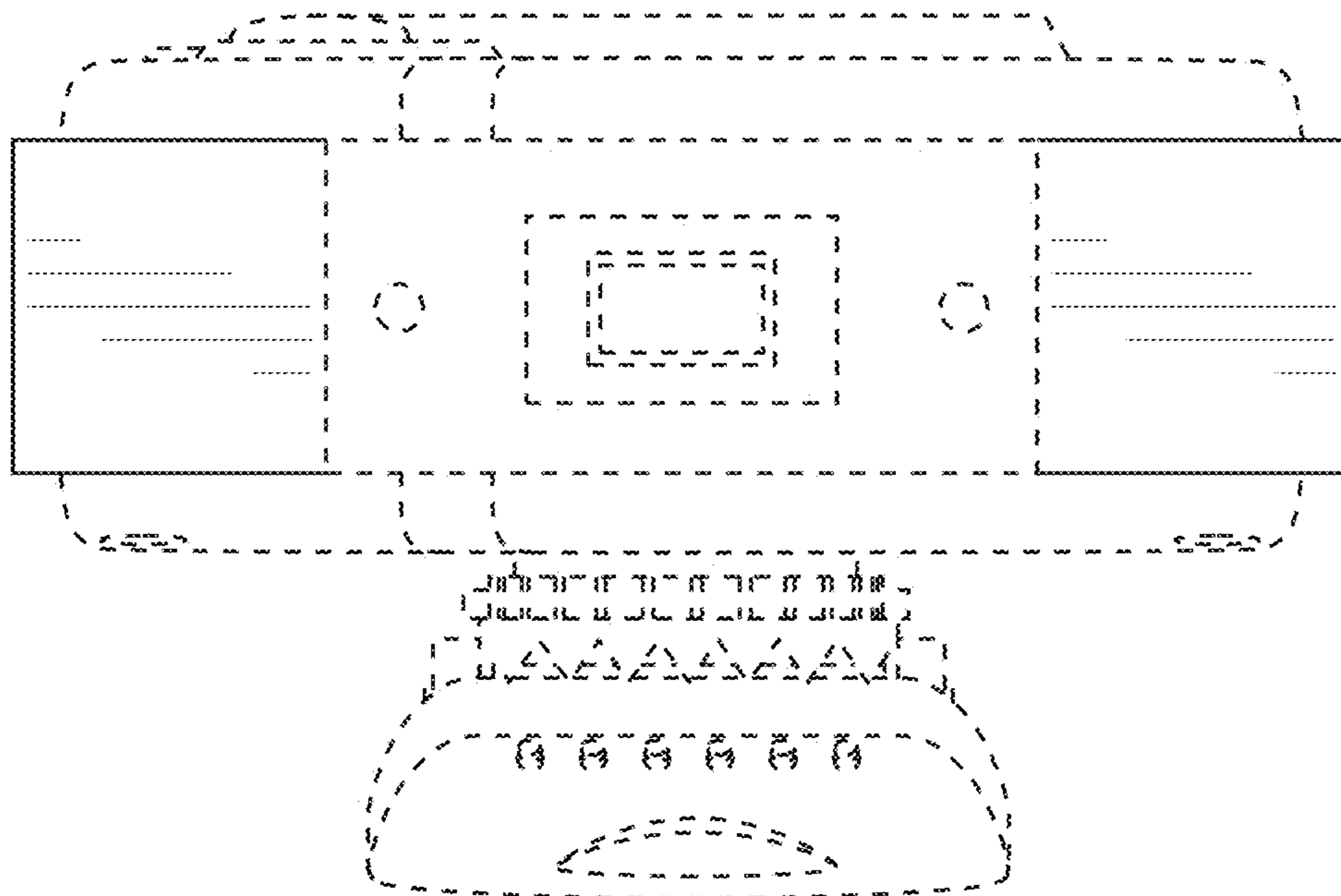


FIG. 7

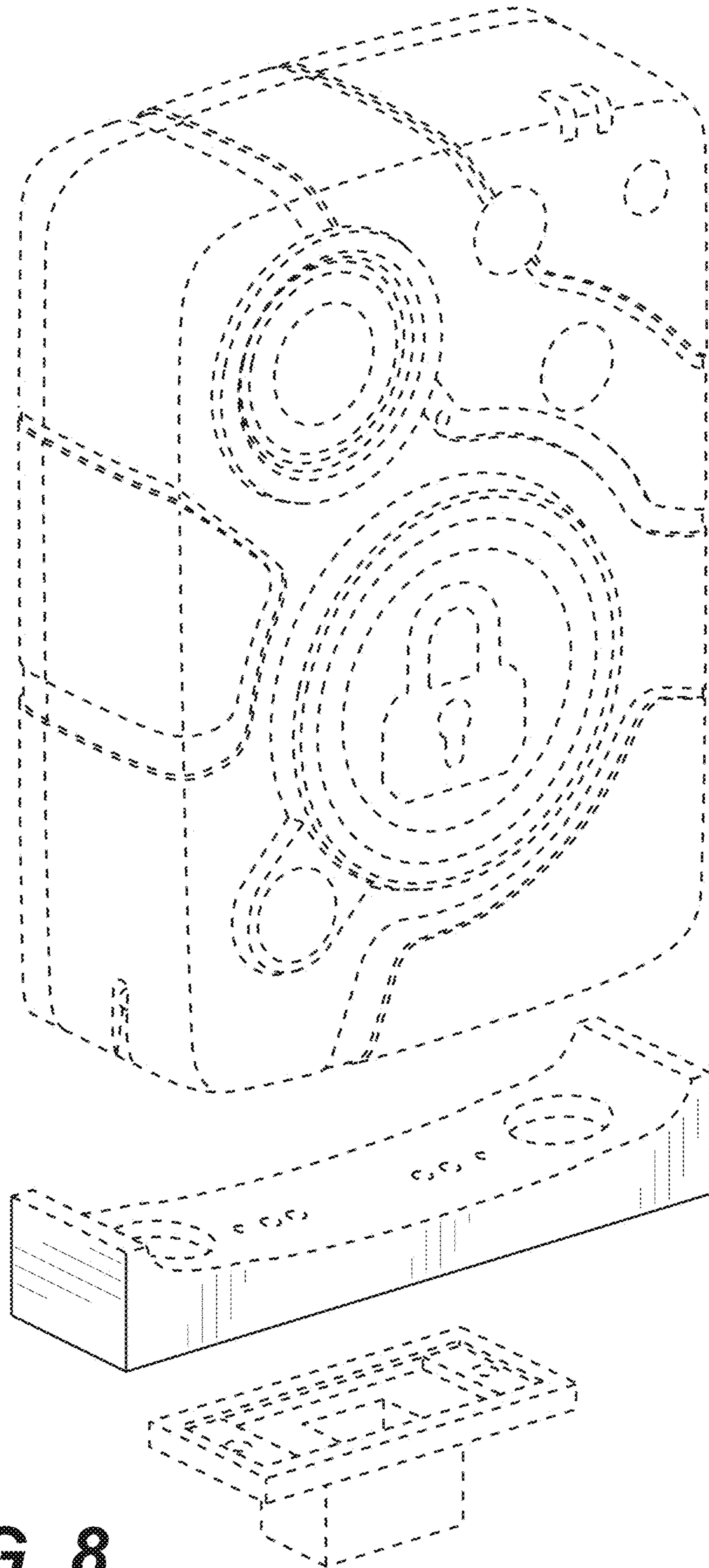


FIG. 8

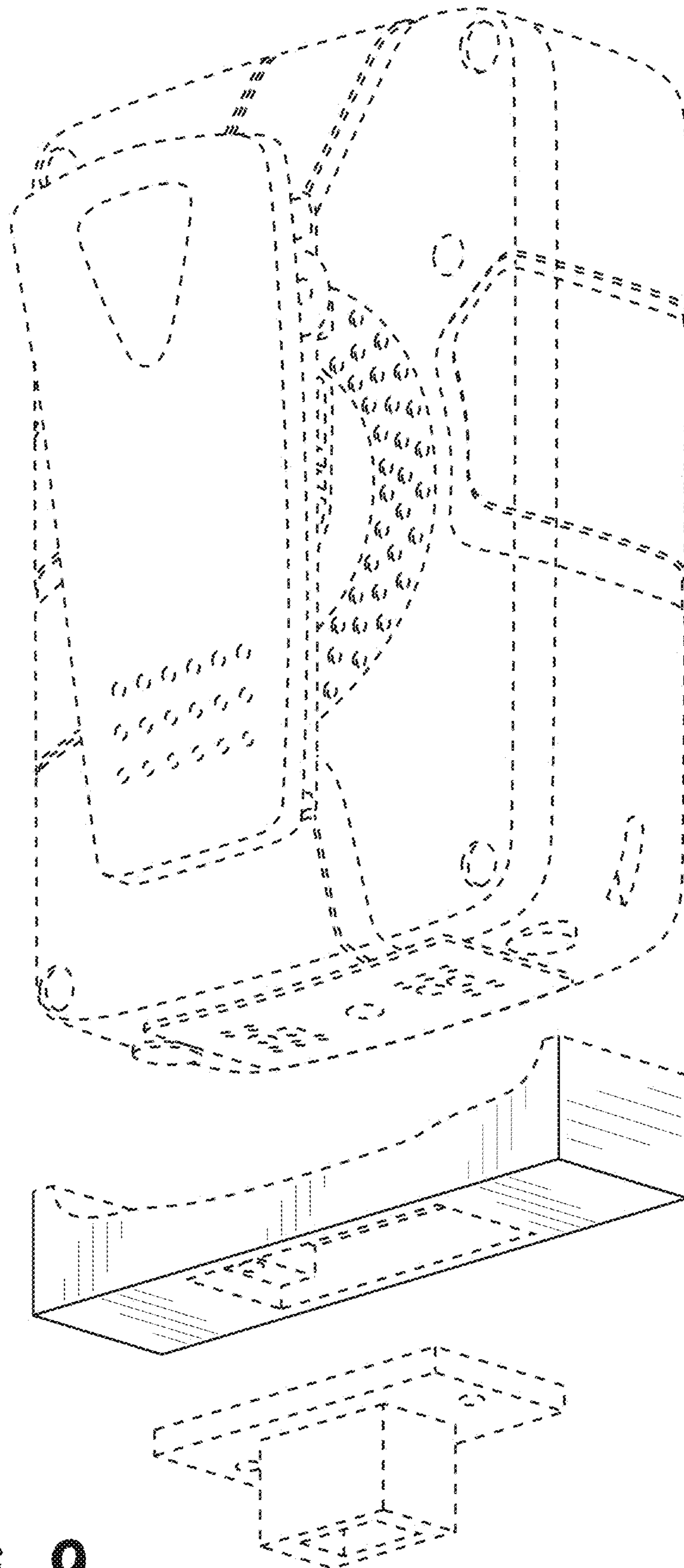


FIG. 9

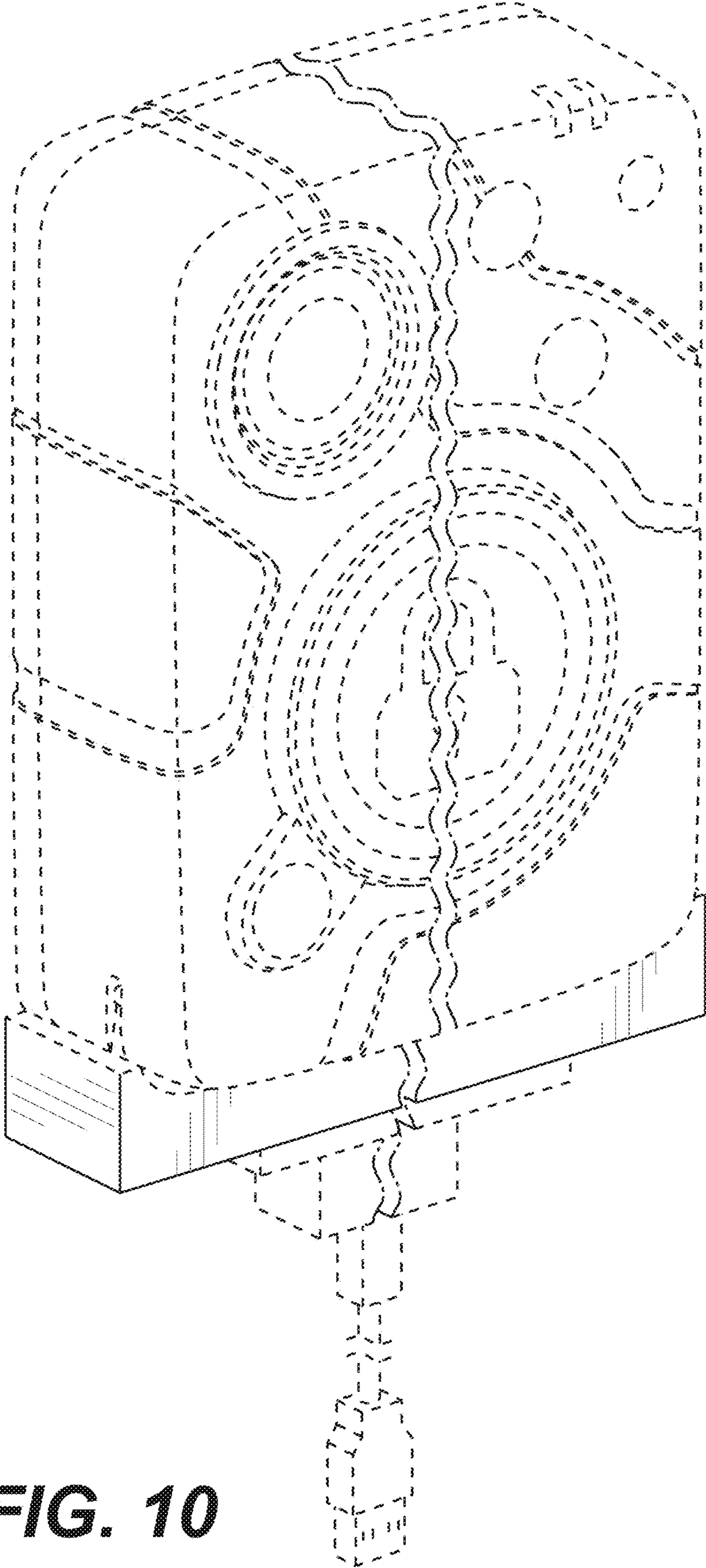


FIG. 10

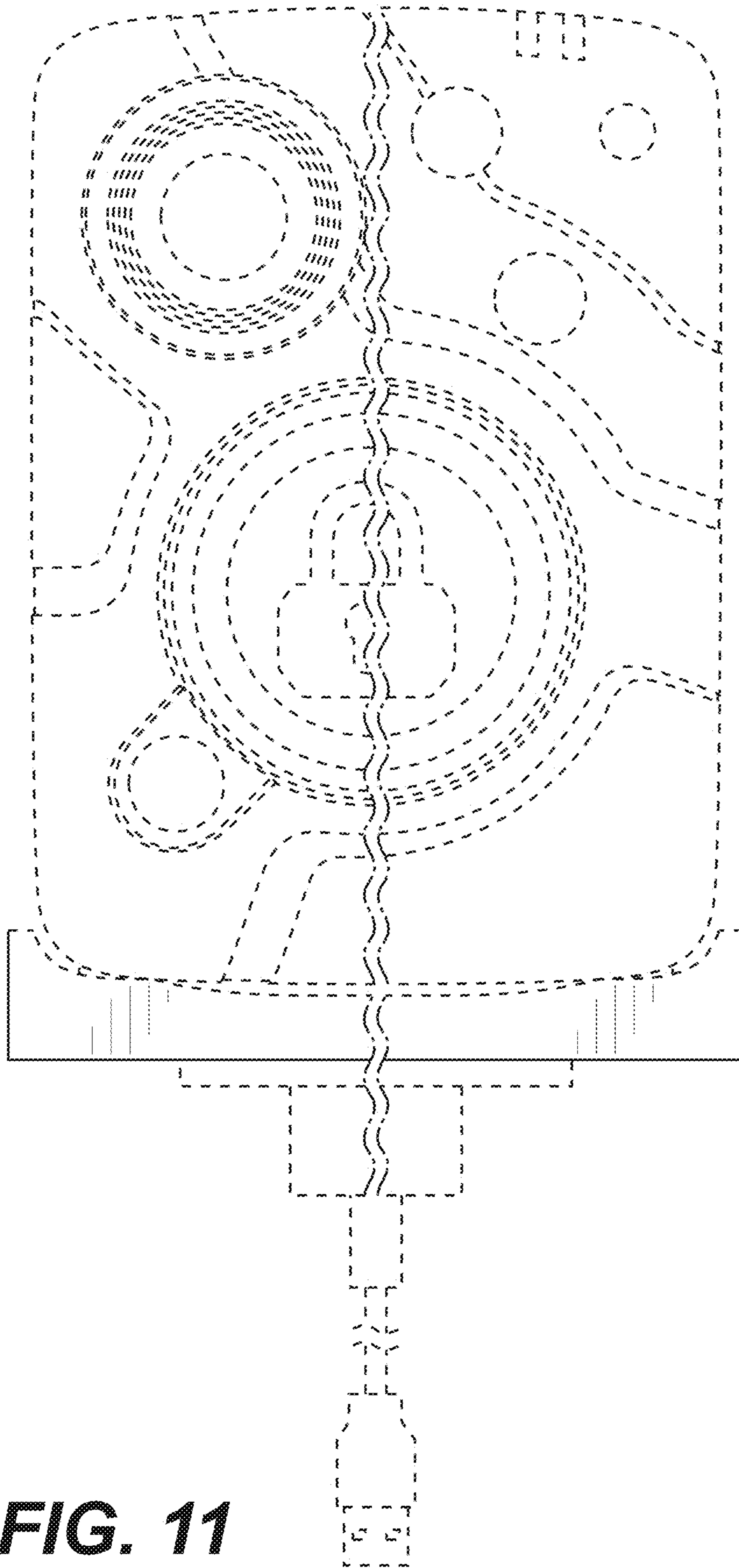


FIG. 11

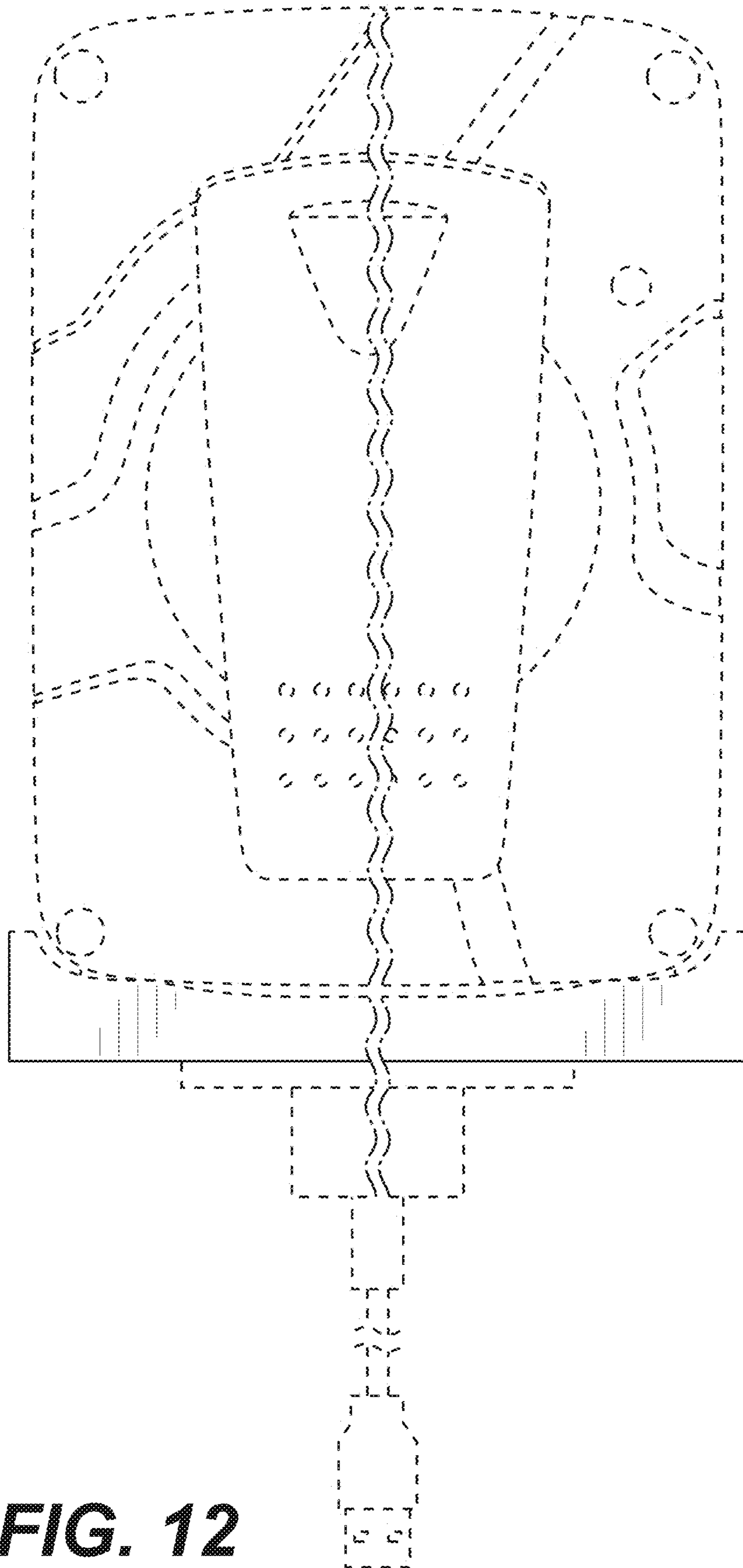


FIG. 12

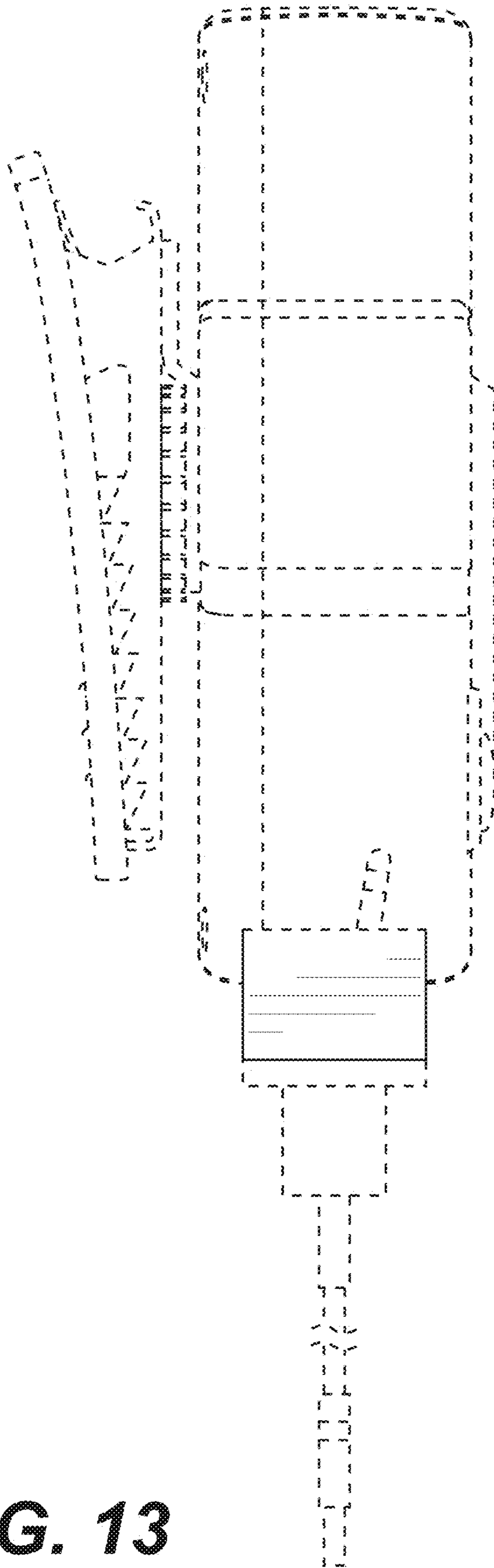


FIG. 13

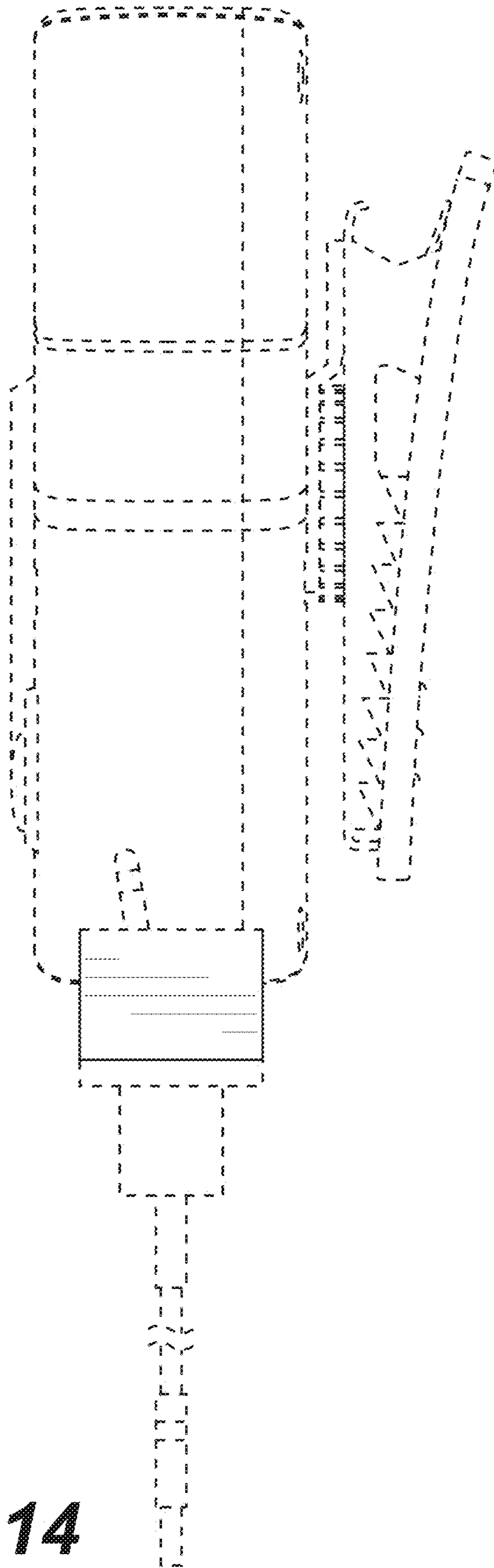


FIG. 14

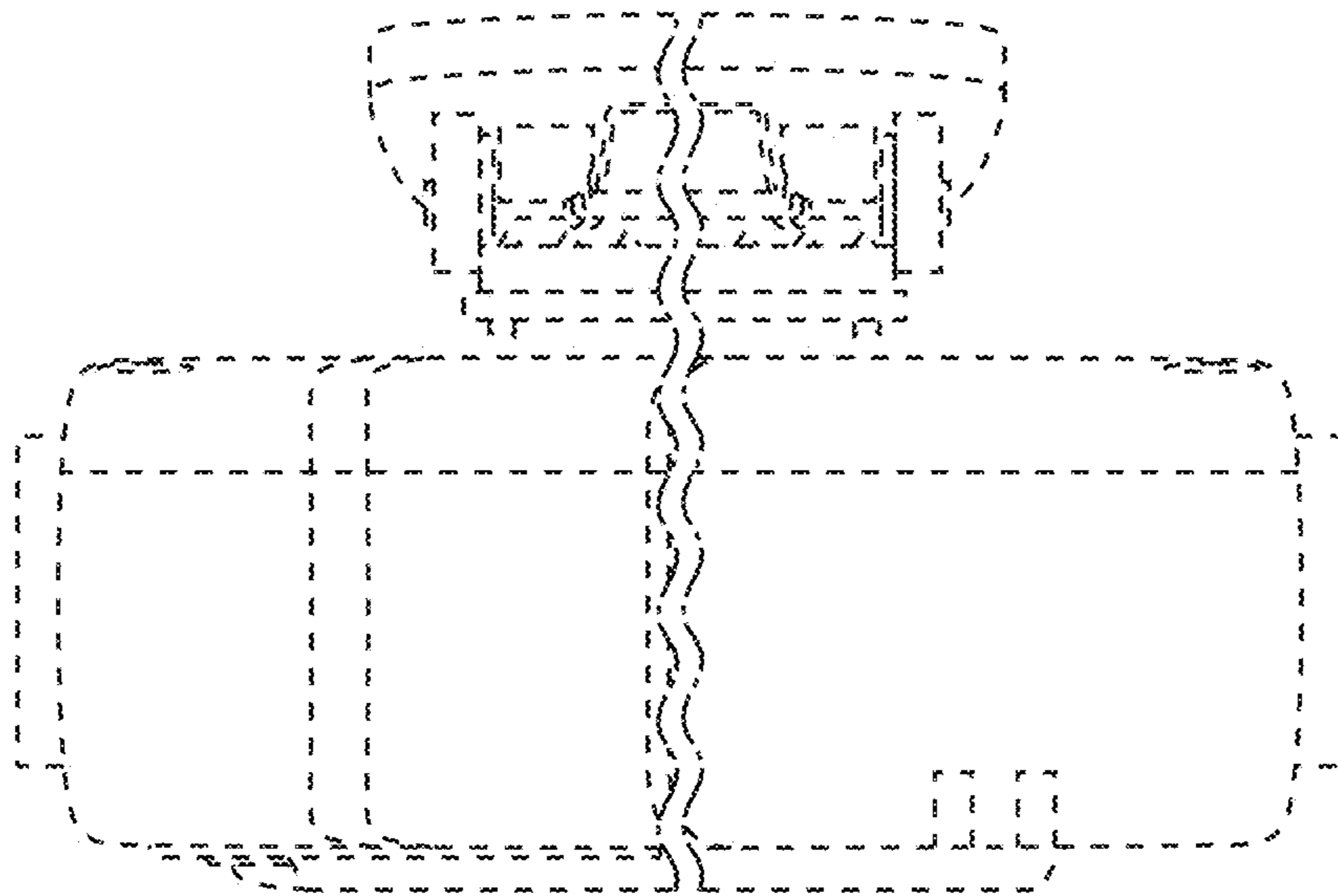


FIG. 15

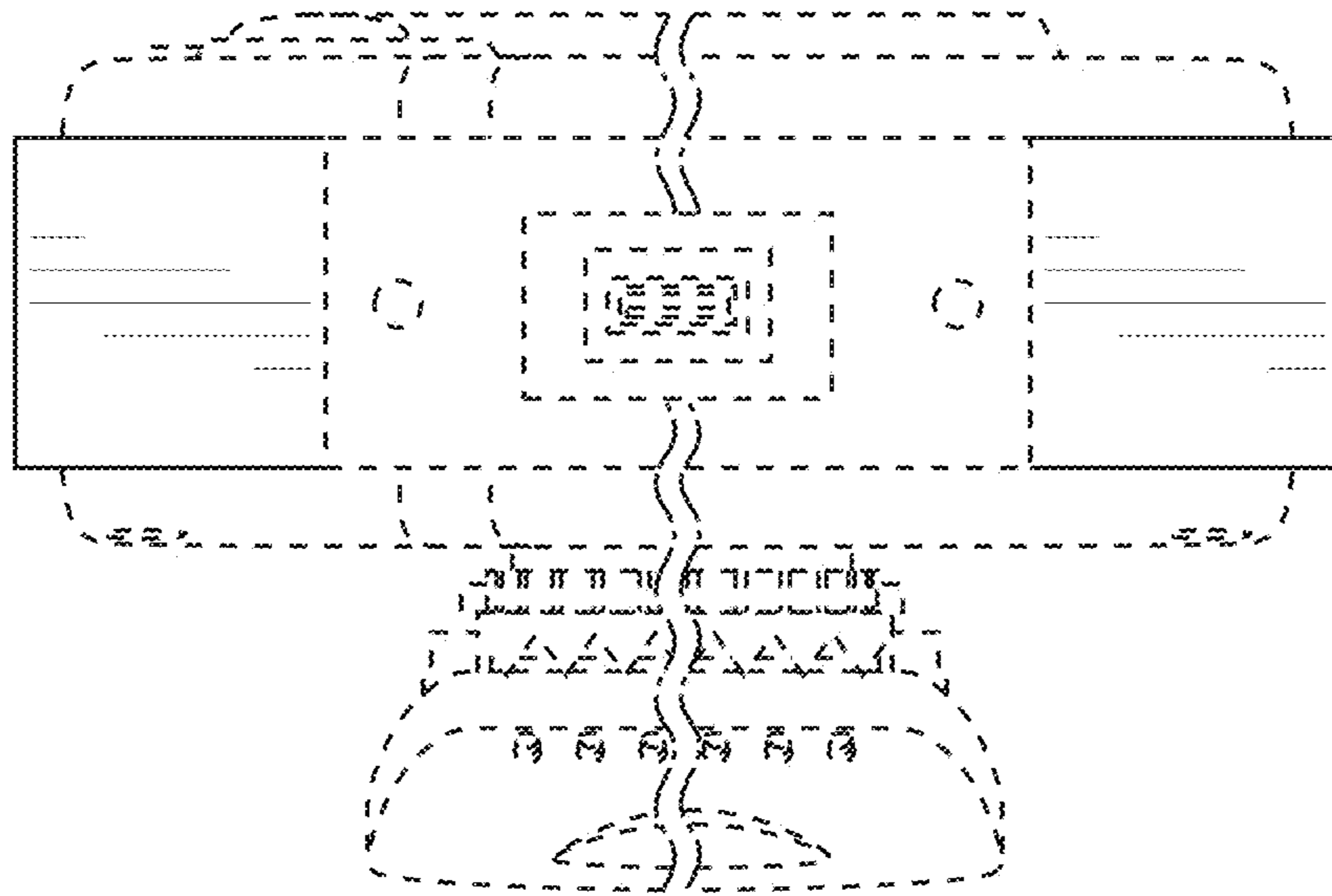


FIG. 16

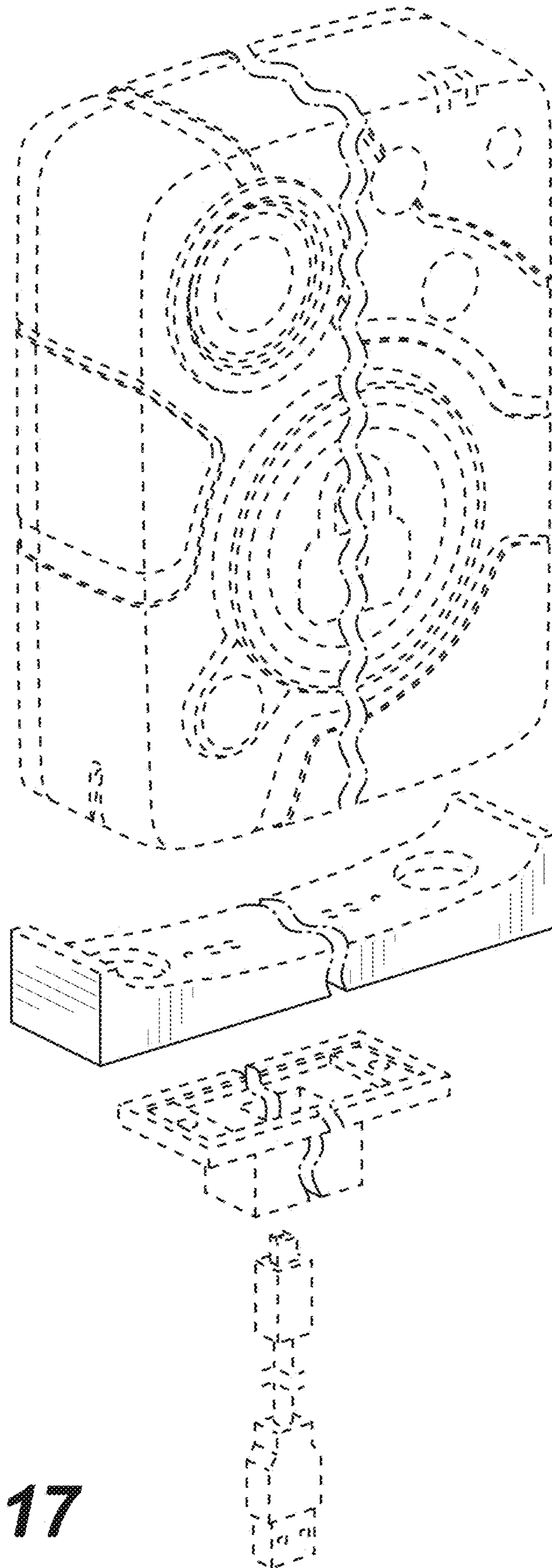


FIG. 17

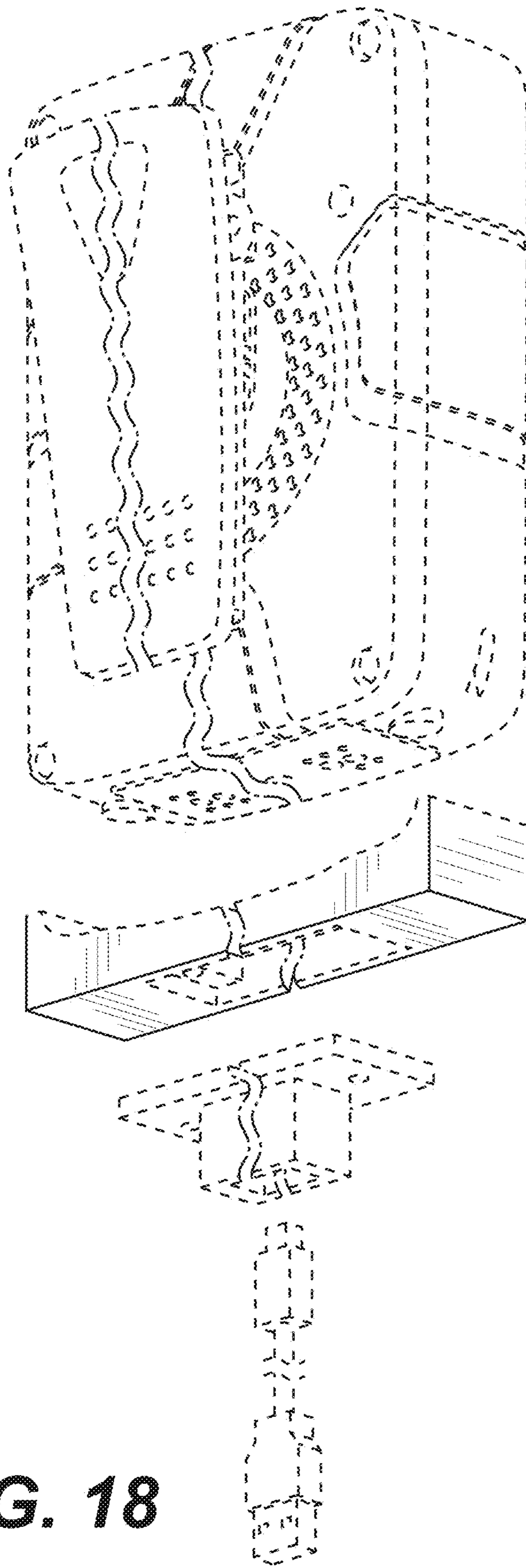


FIG. 18