



US00D887817S

(12) **United States Design Patent**
Belt

(10) **Patent No.:** **US D887,817 S**

(45) **Date of Patent:** **** Jun. 23, 2020**

(54) **CLIP**

(71) Applicant: **Blind InSites, LLC**, Plano, TX (US)

(72) Inventor: **Darwin Wayne Belt**, Plano, TX (US)

(**) Term: **15 Years**

(21) Appl. No.: **29/621,655**

(22) Filed: **Oct. 10, 2017**

(51) **LOC (12) Cl.** **08-08**

(52) **U.S. Cl.**
USPC **D8/349**

(58) **Field of Classification Search**
USPC D6/672, 684, 680, 683.1, 703.5; D8/354,
D8/355, 330, 331, 333, 380
CPC F16B 5/00; F16B 5/02; F16B 12/50
See application file for complete search history.

(56) **References Cited**

U.S. PATENT DOCUMENTS

D658,972 S *	5/2012	Virgin	D8/349
D722,860 S *	2/2015	Linares	D8/331
D773,911 S *	12/2016	Louis	D8/34
D782,277 S *	3/2017	Bridgewater	D8/331
D782,278 S *	3/2017	Smith	D8/333

D811,909 S *	3/2018	Simonton	D10/74
D836,511 S *	12/2018	Maeda	D12/193
D848,813 S *	5/2019	Kelleghan	D8/105
D854,917 S *	7/2019	Amrein	D8/382
D859,957 S *	9/2019	Flederbach	D8/349

* cited by examiner

Primary Examiner — Mark A Goodwin
Assistant Examiner — Benjamin M Weeks
(74) *Attorney, Agent, or Firm* — Caldwell Intellectual Property Law

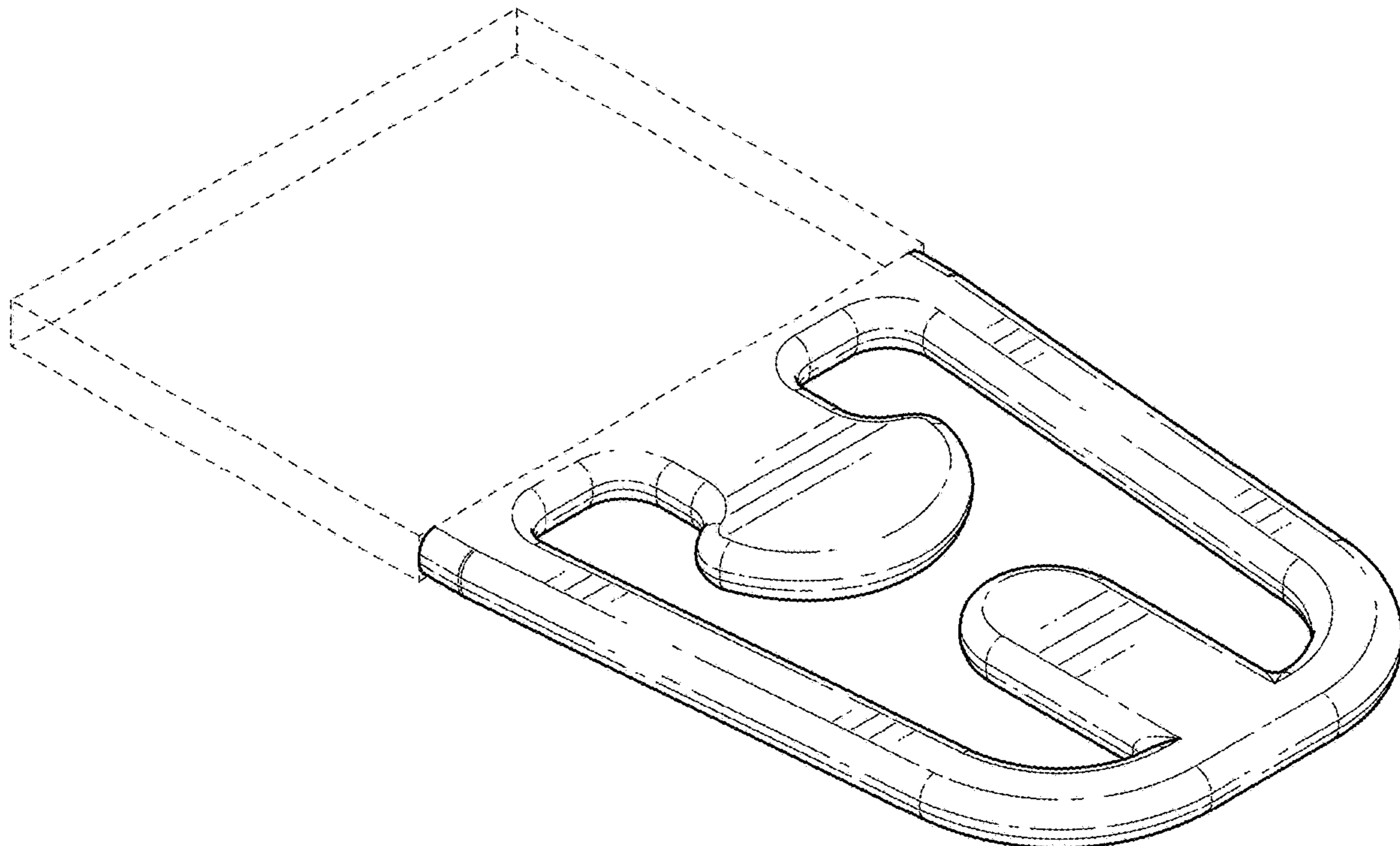
(57) **CLAIM**

I claim the ornamental design for a clip, as shown and described.

DESCRIPTION

FIG. 1 is an isometric view of a clip showing my new design;
FIG. 2 is a front view thereof;
FIG. 3 is a rear view thereof;
FIG. 4 is a side view thereof;
FIG. 5 is a second side view thereof;
FIG. 6 is a top view thereof; and,
FIG. 7 is a bottom view thereof.
The broken lines illustrate portions of the clip and form no part of the claimed design.

1 Claim, 7 Drawing Sheets



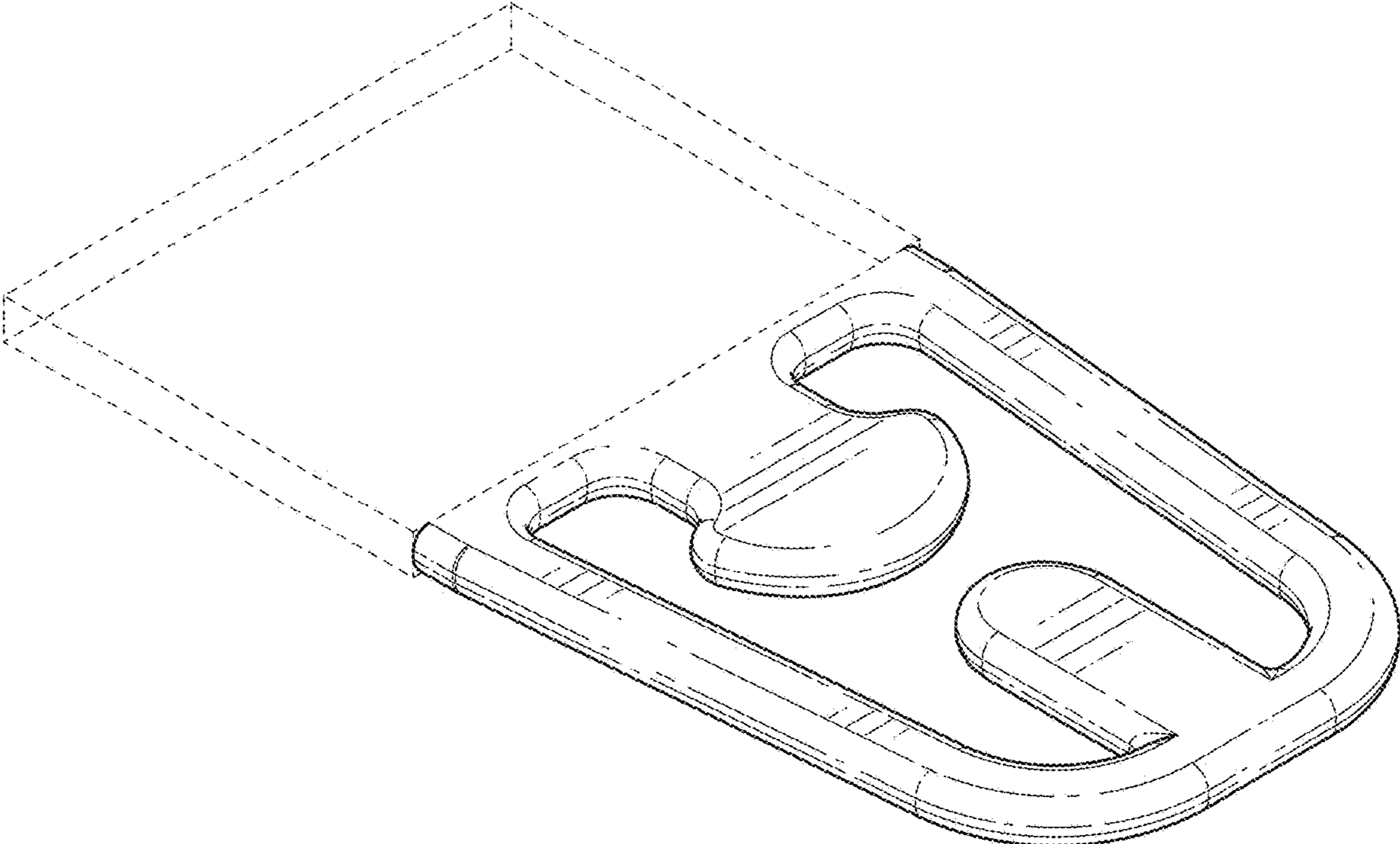


FIG. 1



FIG. 2



FIG. 3



FIG. 4

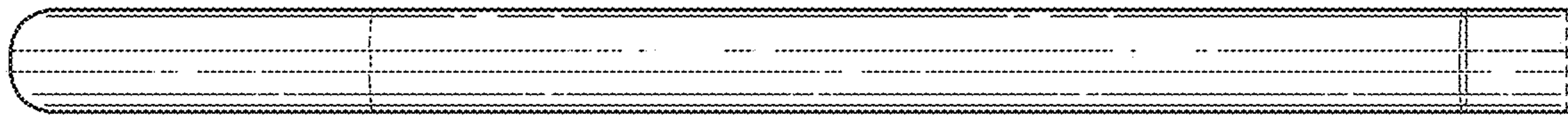


FIG. 5

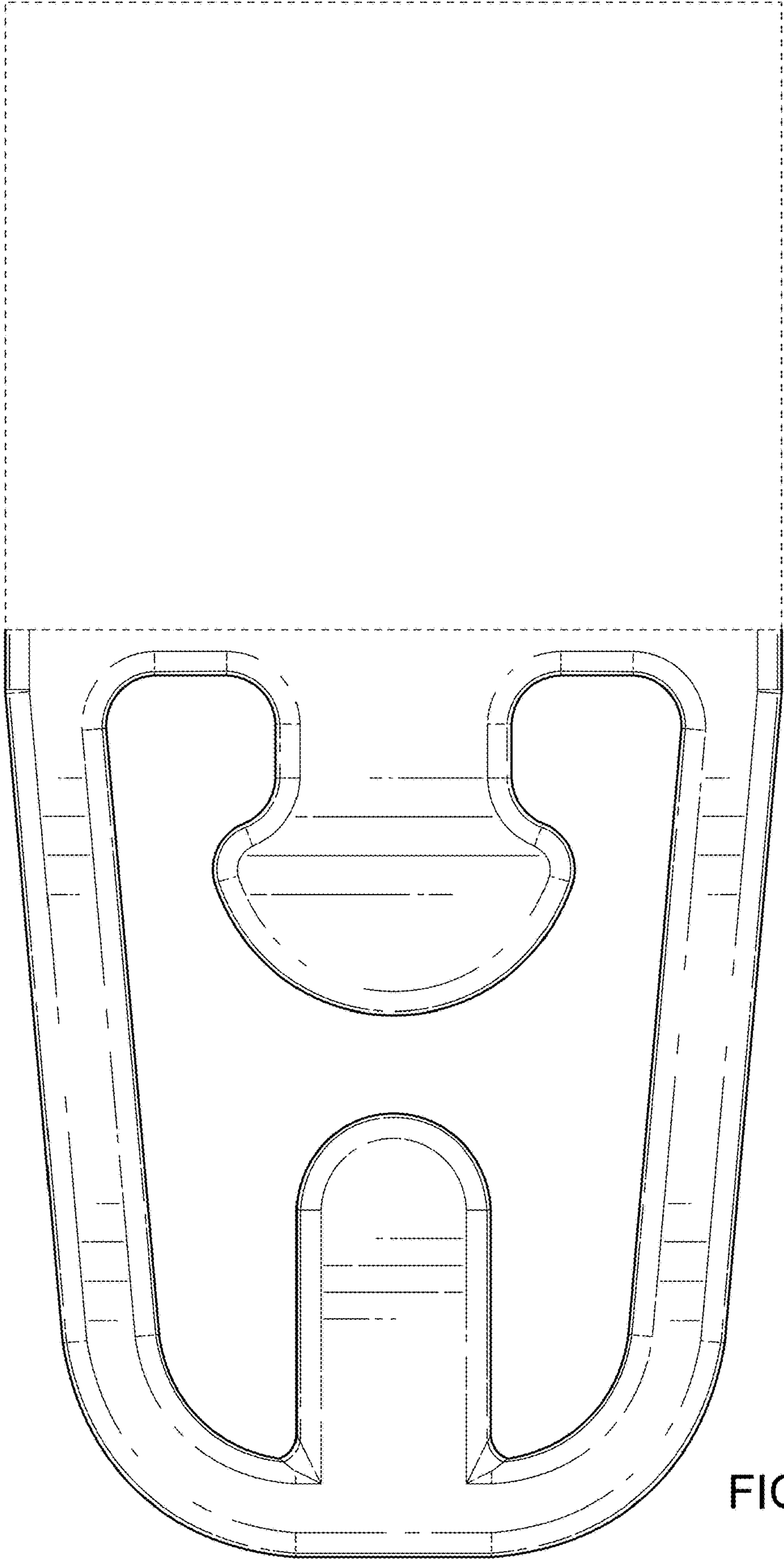


FIG. 6

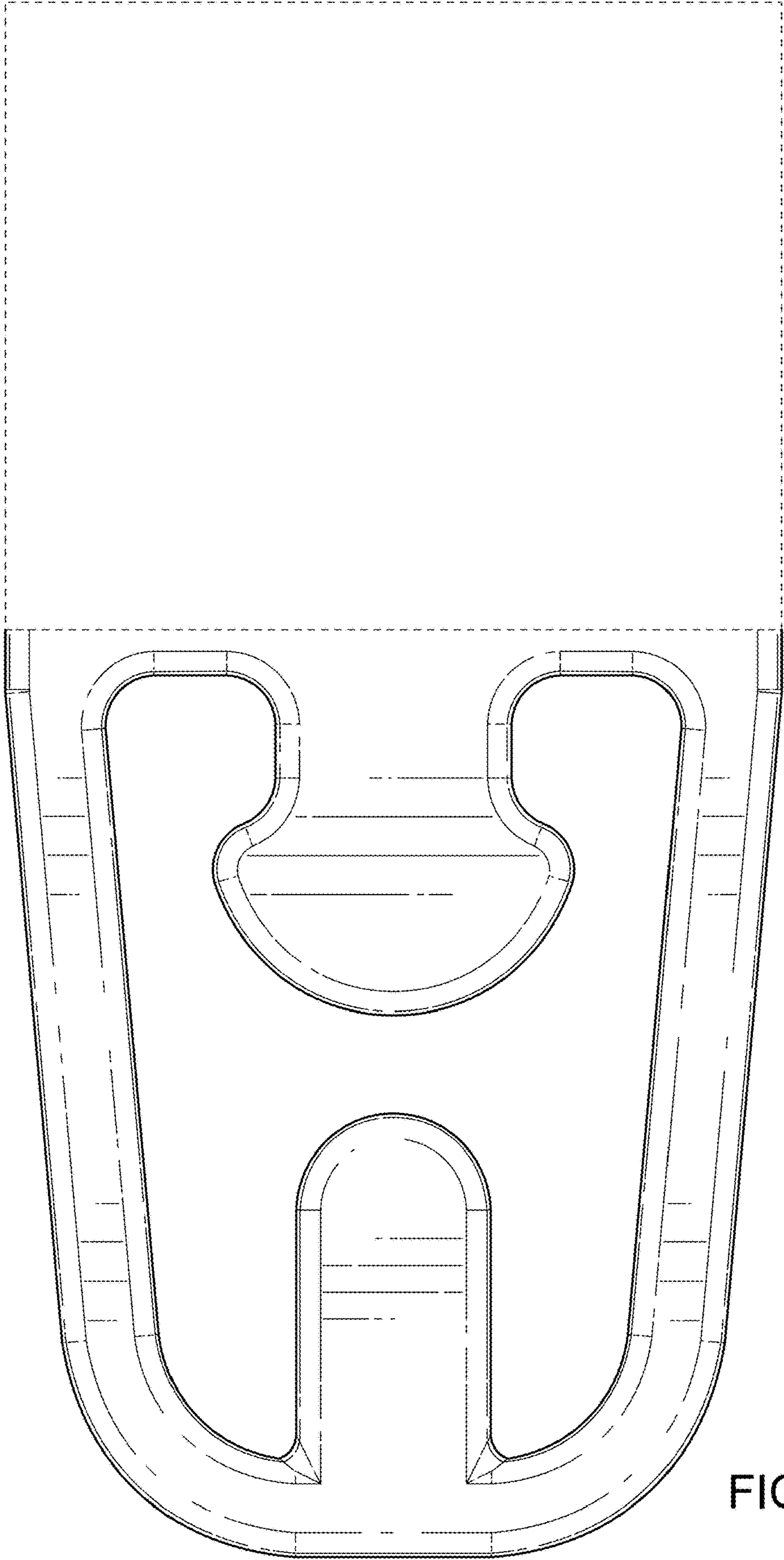


FIG. 7