



US00D887816S

(12) **United States Design Patent**
Marsden

(10) **Patent No.:** **US D887,816 S**
(45) **Date of Patent:** **** Jun. 23, 2020**

- (54) **LEVER DOOR HANDLE LOCK**
- (71) Applicant: **Elbee Pty Ltd.**, Bondi Junction (AU)
- (72) Inventor: **Andrew Marsden**, Hingham, MA (US)
- (73) Assignee: **Elbee Pty Ltd.**, Bondi Junction (AU)
- (**) Term: **15 Years**

D704,027 S * 5/2014 Trunek B25G 1/04
D8/308
D786,649 S * 5/2017 Huang D8/308
D811,689 S * 2/2018 Osiecki D99/43
(Continued)

- (21) Appl. No.: **29/617,592**
- (22) Filed: **Sep. 14, 2017**
- (51) **LOC (12) Cl.** **08-07**
- (52) **U.S. Cl.**
USPC **D8/331**
- (58) **Field of Classification Search**
USPC D8/300, 307, 308, 331; D23/250, 252,
D23/254; 292/336.3, 290, 297, 298,
292/DIG. 2, 347, 348; 16/110.1, 412,
16/444; 70/179, 180, 207, 209-211, 432,
70/436, 441
CPC . B25G 1/04; B25G 1/02; B25G 1/005; B25G
1/046; E05B 13/04; E05B 13/02; E05B
13/00
See application file for complete search history.

OTHER PUBLICATIONS

[No Author Listed] Lever Handle Lock. Summer Infant Baby Products. <https://www.summerinfant.com/child-proofing/lever-handle-lock>, 2 pages [last accessed Aug. 31, 2017].

(Continued)

Primary Examiner — Manpreet S Matharu
Assistant Examiner — Yolanda Robinson
(74) *Attorney, Agent, or Firm* — Wolf, Greenfield & Sacks, P.C.

(57) **CLAIM**

The ornamental design for a lever door handle lock, as shown and described.

DESCRIPTION

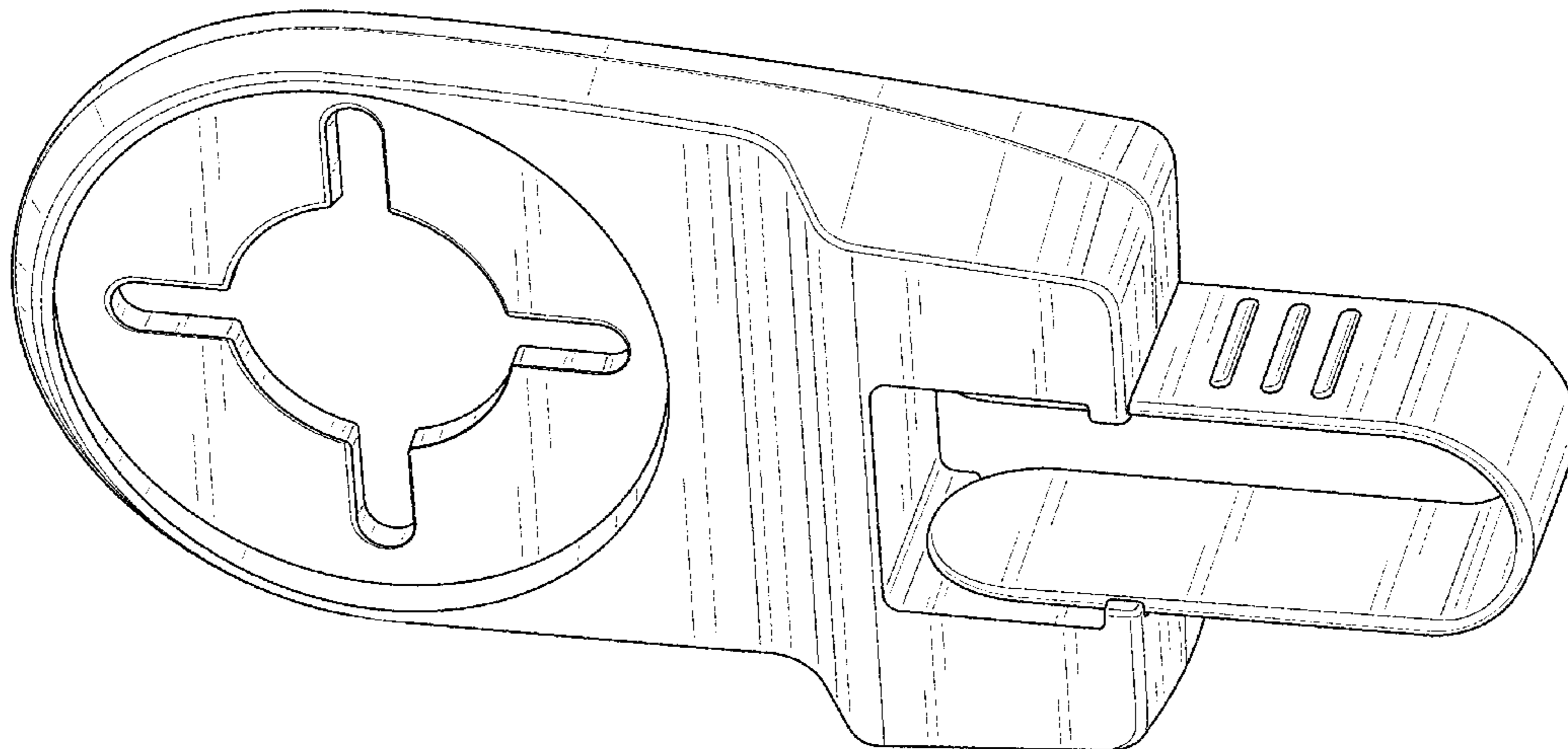
FIG. 1 is a front, top, right perspective view of a lever door handle lock;
FIG. 2 is a front, bottom, right perspective view thereof;
FIG. 3 is a front elevation view thereof;
FIG. 4 is a rear elevation view thereof;
FIG. 5 is a right side elevation view thereof;
FIG. 6 is a left side elevation view thereof;
FIG. 7 is a top plan view thereof, the bottom plan view being a mirror image of the top plan view;
FIG. 8 is a rear, bottom, right perspective view thereof; and,
FIG. 9 is a rear, top, right perspective view thereof.
The dash-dash broken lines in the drawings depict portions of the lever door handle lock that form no part of the claimed design. The short dash-long dash lines in the drawings depict boundaries of the claimed design that form no part of the claimed design.

(56) **References Cited**

U.S. PATENT DOCUMENTS

- 2,463,195 A * 3/1949 Mungan E05B 13/04
292/DIG. 2
- D334,703 S 4/1993 Murphy
- D343,564 S * 1/1994 Donofrio D8/308
- 6,068,308 A * 5/2000 Molzer E05B 13/10
292/336.3
- 6,484,542 B1 * 11/2002 Klingler E05B 13/002
292/288
- 7,216,903 B1 5/2007 Kent et al.
- D566,520 S * 4/2008 Samhammer D8/331
- D618,083 S 6/2010 Hansen
- 8,443,640 B2 5/2013 Davis

1 Claim, 9 Drawing Sheets



(56)

References Cited

U.S. PATENT DOCUMENTS

D823,430 S * 7/2018 York D23/208
D826,027 S * 8/2018 Carey D8/331
D856,457 S * 8/2019 Montes D22/108
2005/0193787 A1 9/2005 Davis
2007/0170730 A1* 7/2007 Hall E05B 5/003
292/336.3
2014/0175814 A1* 6/2014 Holsopple E05B 13/04
292/348
2018/0363323 A1* 12/2018 Waugh E05B 13/002
2019/0153746 A1* 5/2019 Wang E05B 13/002

OTHER PUBLICATIONS

U.S. Appl. No. 15/705,211, filed Sep. 14, 2017, Marsden.

* cited by examiner

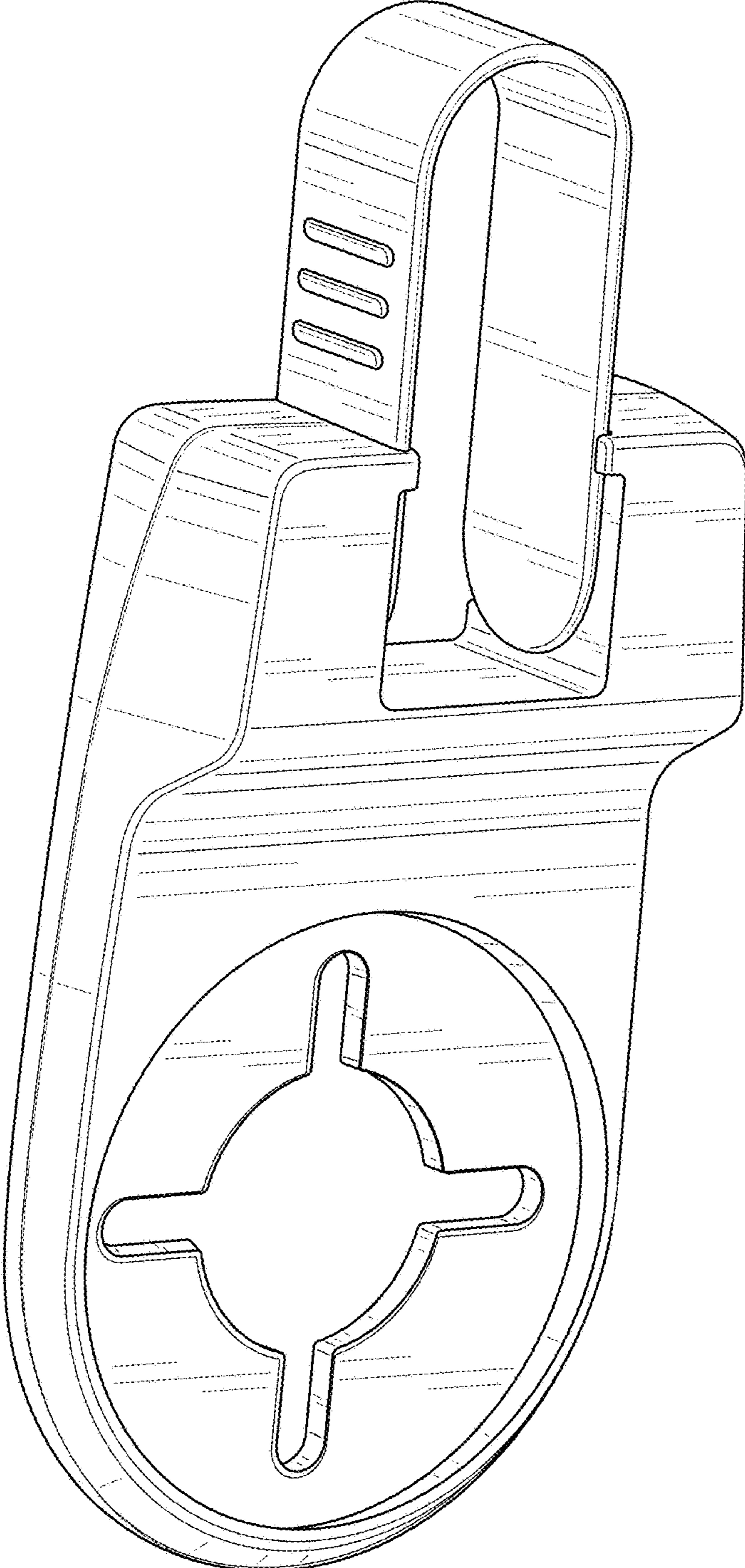


FIG. 1

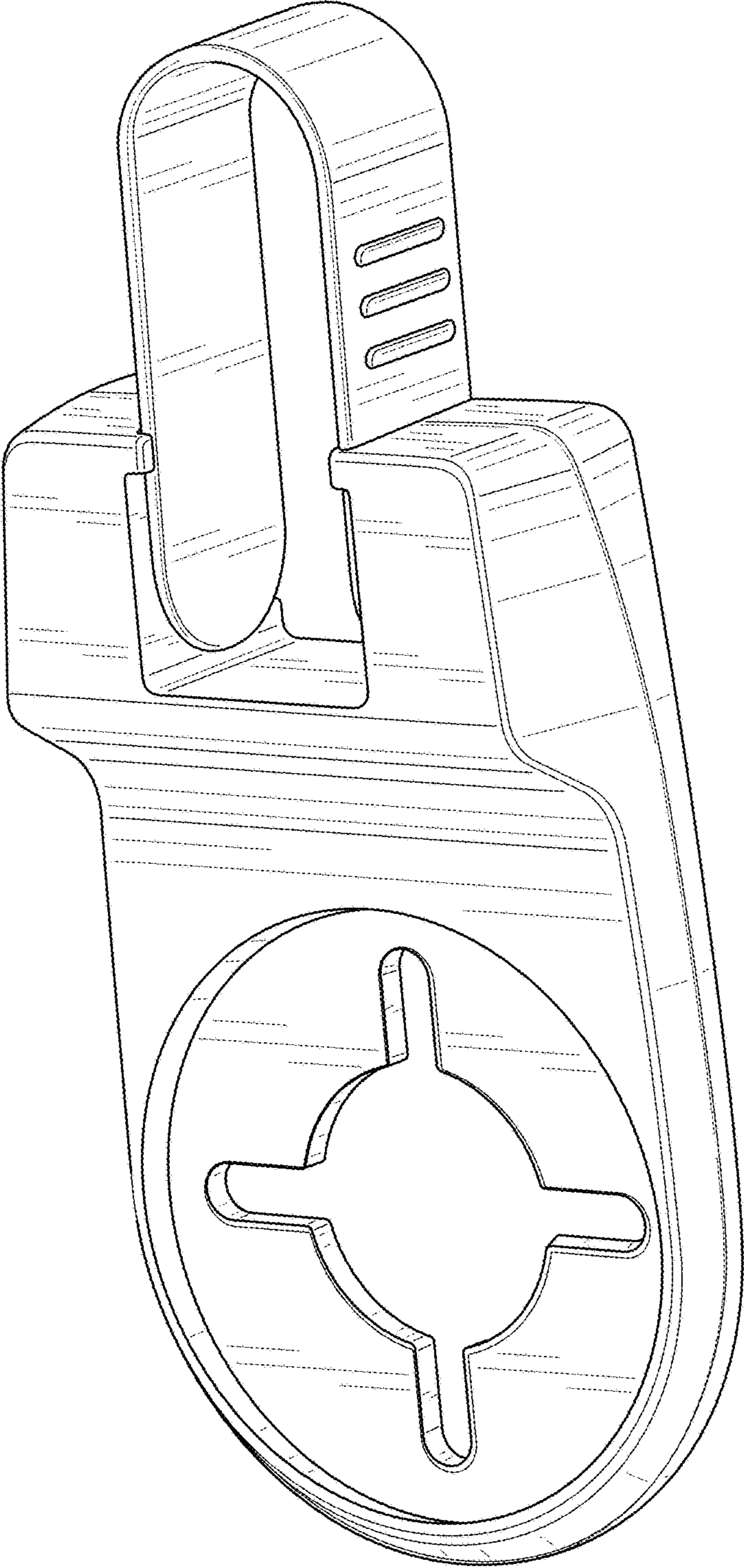


FIG. 2

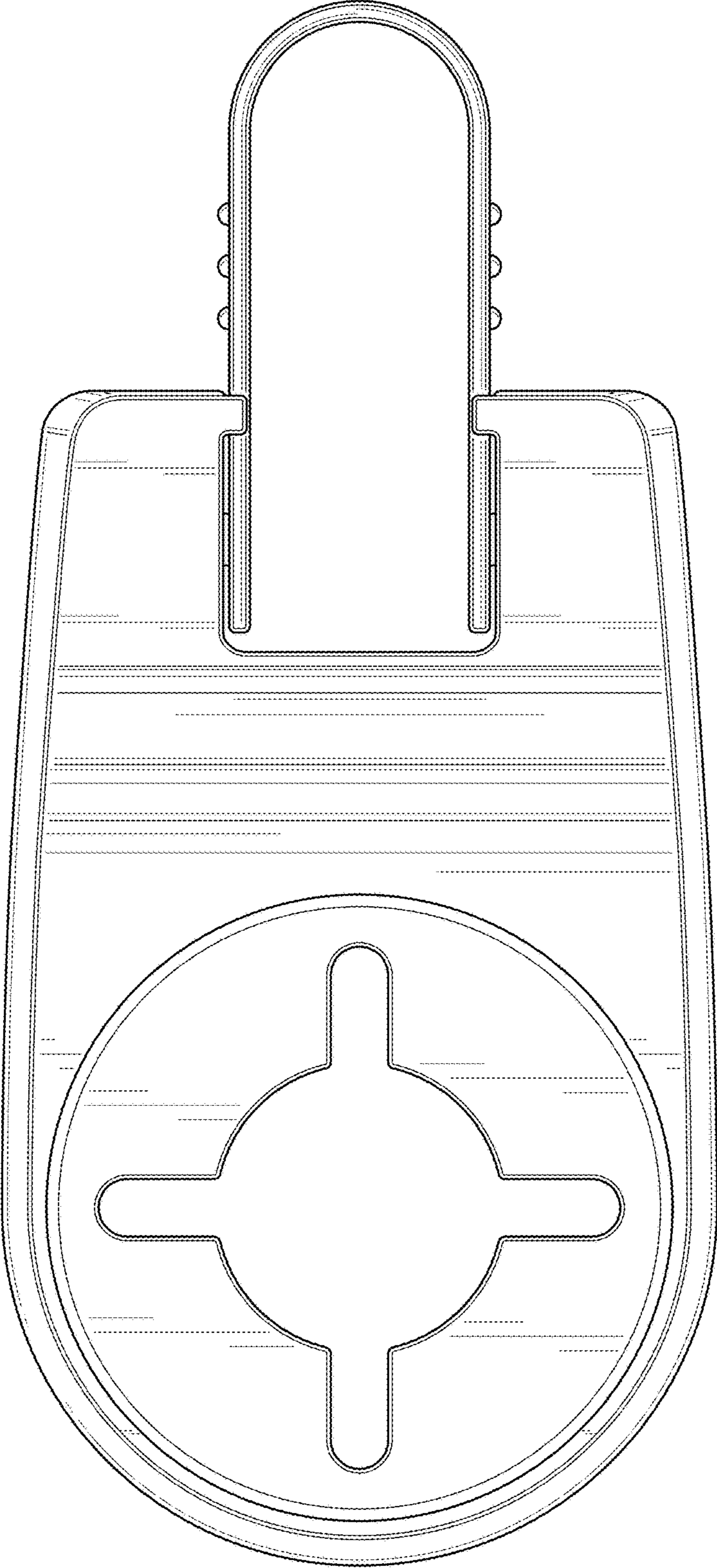


FIG. 3

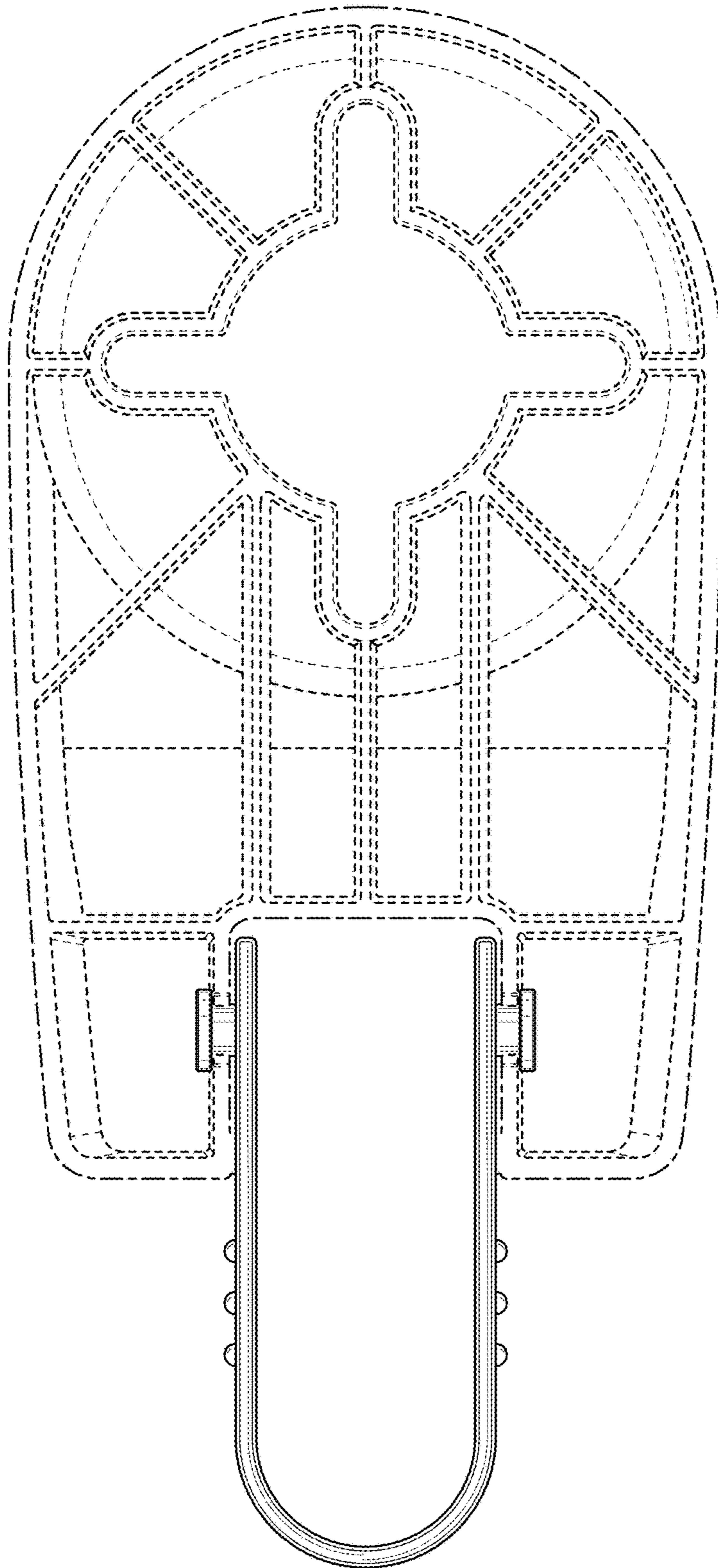


FIG. 4

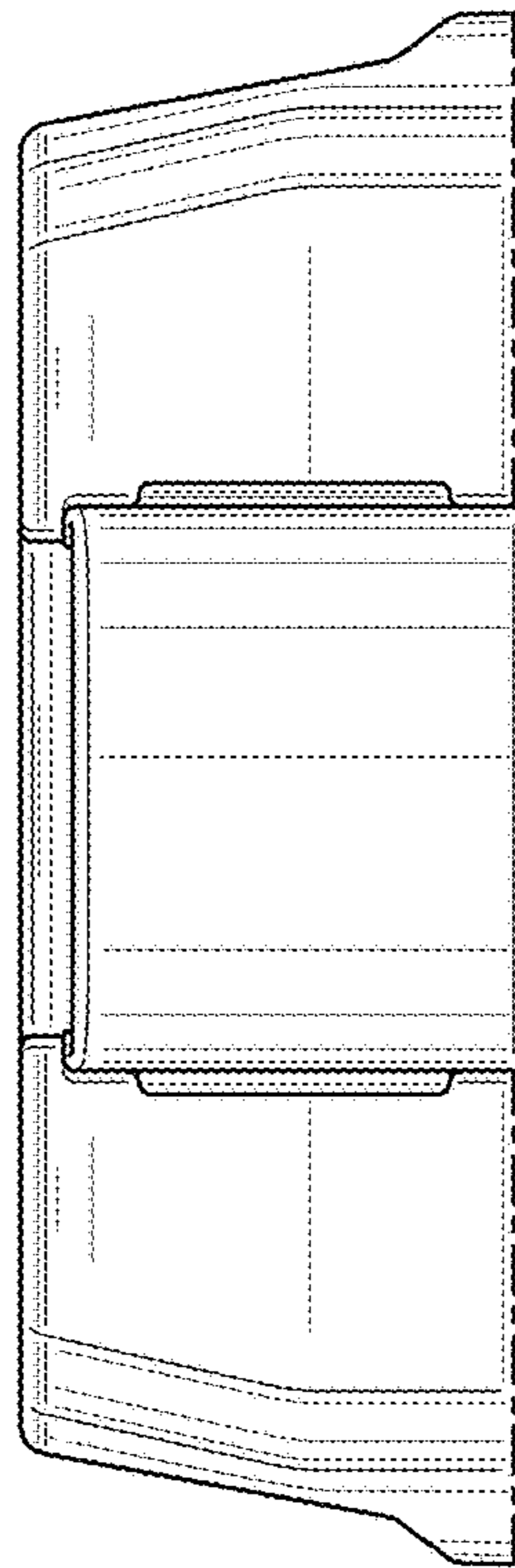


FIG. 5

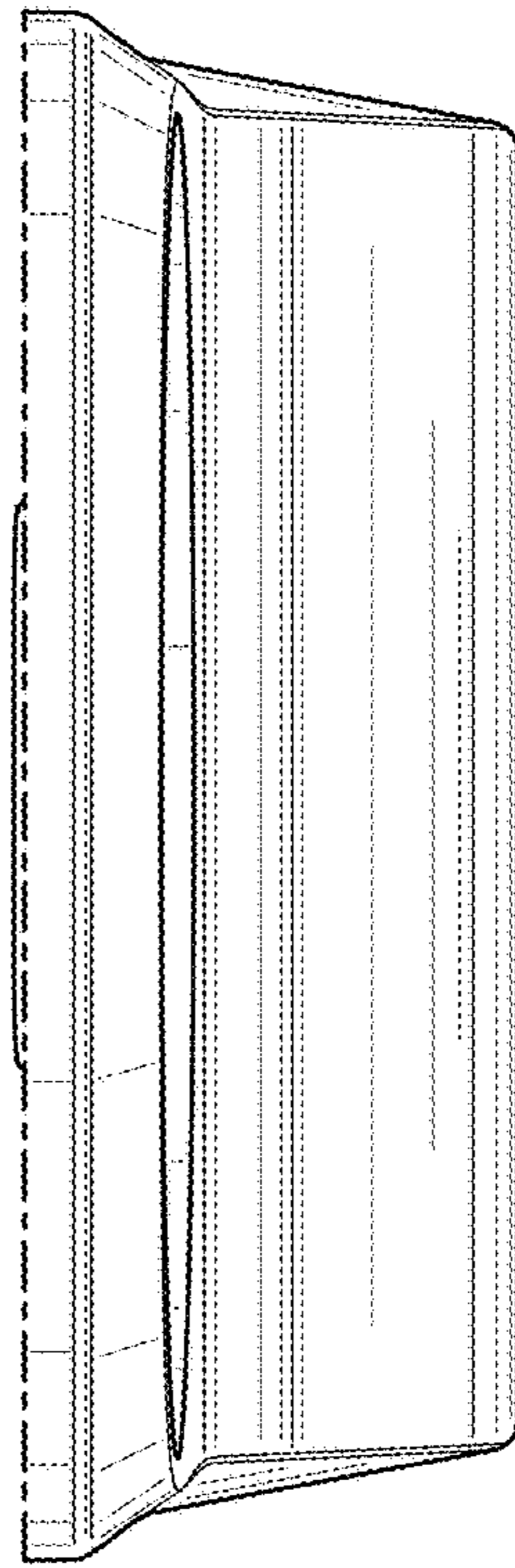


FIG. 6

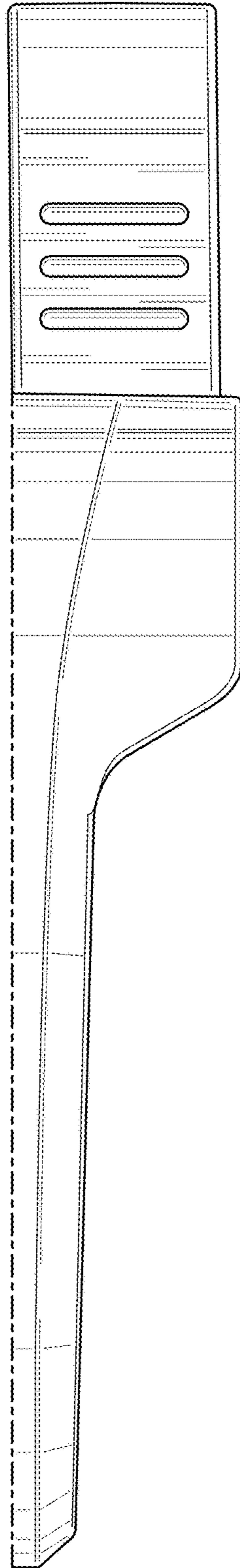


FIG. 7

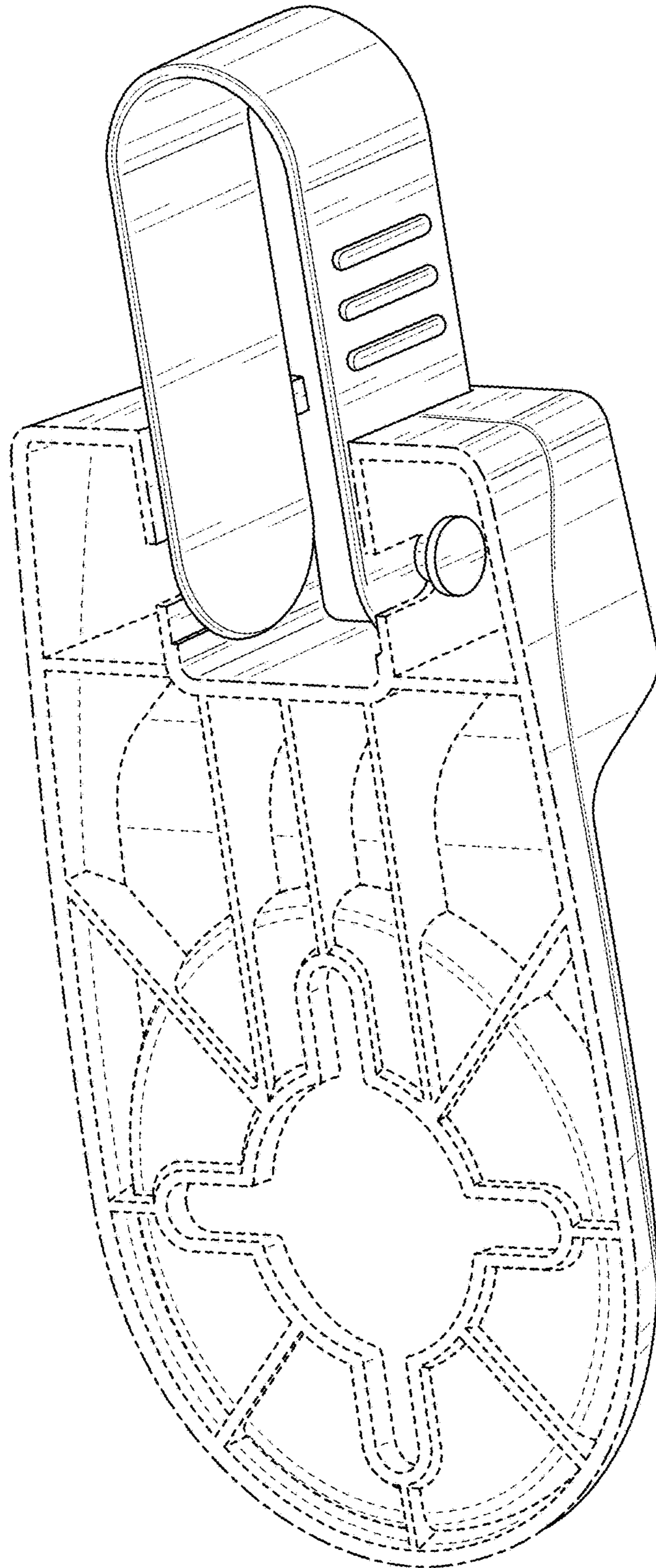


FIG. 8

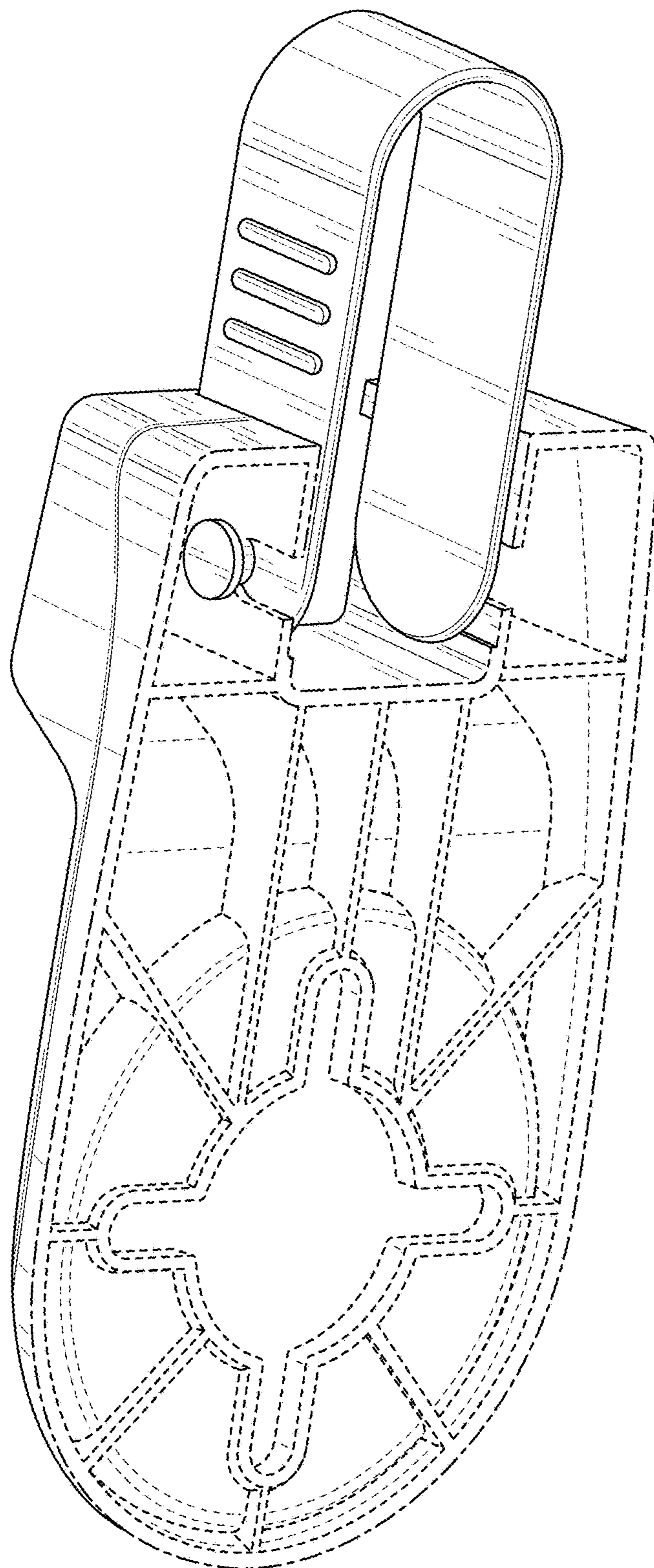


FIG. 9