



US00D887815S

(12) **United States Design Patent**
Min

(10) **Patent No.:** **US D887,815 S**

(45) **Date of Patent:** **** Jun. 23, 2020**

- (54) **LOCK**
- (71) Applicant: **Hao Min**, Nanjing (CN)
- (72) Inventor: **Hao Min**, Nanjing (CN)
- (73) Assignee: **NANJING EASTHOUSE ELECTRICAL CO., LTD**, Nanjing (CN)
- (**) Term: **15 Years**
- (21) Appl. No.: **29/648,120**
- (22) Filed: **May 18, 2018**
- (51) **LOC (12) Cl.** **08-07**
- (52) **U.S. Cl.**
USPC **D8/330**
- (58) **Field of Classification Search**
USPC D8/330, 331, 336, 337, 338, 339, 341, D8/342, 343, 350, 352, 353
CPC ... E05B 9/00; E05B 9/08; E05B 9/002; E05B 47/00; E05B 63/00; E05B 63/0004; E05B 63/06; E05B 51/00; E05B 55/00; E05B 47/0012; E05B 1/0007; E05B 47/068; E05B 2047/0017; E05B 2047/002; E05B 49/00; E05B 47/0657; E05B 45/06; E05B 47/0603; E05B 2047/0068; E05B 47/02; E05B 47/06; E05B 63/04; E05B 55/005; E05B 47/0043; E05B 3/00
See application file for complete search history.

D428,795 S *	8/2000	Wyers	D8/341
D438,447 S *	3/2001	Gartner	D8/331
D444,050 S *	6/2001	Wyers	D8/341
D463,968 S *	10/2002	LaPlume	D8/352
D465,989 S *	11/2002	Carsello	D8/352
6,722,170 B2 *	4/2004	Squier	E05B 9/08 292/DIG. 53
6,862,905 B2 *	3/2005	Zapushek	B60D 1/60 70/14
D504,923 S *	5/2005	Harms	D21/681
D513,582 S *	1/2006	Osiecki	D8/331
7,108,387 B1 *	9/2006	Lucas	E05B 1/0007 200/61.62
D533,047 S *	12/2006	Wright	D8/330
D561,001 S *	2/2008	Rohde	D8/334
D594,311 S *	6/2009	Stevens	D8/331
D618,081 S *	6/2010	Moyer	D8/330
7,908,896 B1 *	3/2011	Olson	E05B 47/068 340/5.2
D669,757 S *	10/2012	Dent	D8/330
D694,091 S *	11/2013	Gartner	D8/330
D709,754 S *	7/2014	Lylyk	D8/331
D720,201 S *	12/2014	Gokcebay	D8/331

(Continued)

Primary Examiner — Steven J Czyz
(74) *Attorney, Agent, or Firm* — Ming Jiang; MM IP Services LLC

(57) **CLAIM**

I claim the ornamental design for a lock, as shown and described.

DESCRIPTION

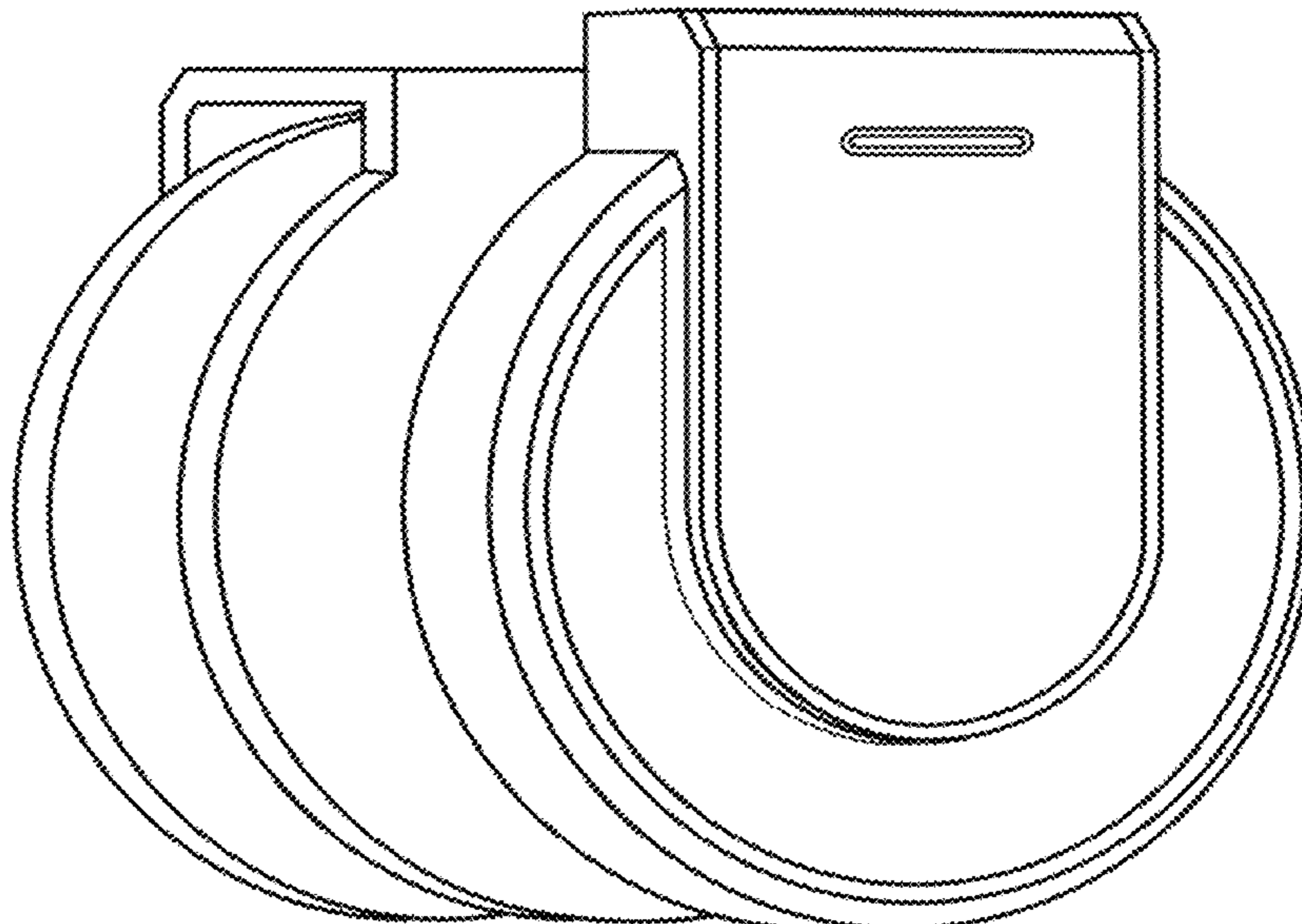
FIG. 1 is a front left perspective view of the lock, showing my design;
FIG. 2 is a front plan view thereof;
FIG. 3 is a rear plan view thereof;
FIG. 4 is a left plan view thereof;
FIG. 5 is a right plan view thereof;
FIG. 6 is a top plan view thereof; and,
FIG. 7 is a bottom plan view thereof.

1 Claim, 7 Drawing Sheets

(56) **References Cited**

U.S. PATENT DOCUMENTS

D263,555 S *	3/1982	Curtis	D8/331
5,473,922 A *	12/1995	Bair	E05B 47/0012 292/144
D388,309 S *	12/1997	Hamilton	D8/330
5,979,199 A *	11/1999	Elpern	G07C 9/00182 292/201



(56)

References Cited

U.S. PATENT DOCUMENTS

D747,640 S * 1/2016 Scalisi D8/331
D758,167 S * 6/2016 Gartner D8/331
D758,168 S * 6/2016 Gartner D8/334
D770,881 S * 11/2016 Gartner D8/331
D771,472 S * 11/2016 Gartner D8/331
D793,205 S * 8/2017 Ho D8/300
D793,840 S * 8/2017 Richardson D8/330
D795,041 S * 8/2017 Oliva Camacho D8/331
D796,298 S * 9/2017 Lylyk D8/331
9,874,042 B2 * 1/2018 Gartner E05B 47/026
D809,895 S * 2/2018 Frantz B60R 11/02
D8/330
D820,662 S * 6/2018 Kuchler D8/333
10,033,972 B2 * 7/2018 Almomani H04N 7/186
D830,811 S * 10/2018 Frantz D8/330
D833,259 S * 11/2018 Tseng D8/352
D837,031 S * 1/2019 Cavanna D8/331
D837,032 S * 1/2019 Cavanna D8/331
D843,197 S * 3/2019 Dempsey D8/343
2005/0110282 A1 * 5/2005 Weinberg E05B 1/0061
292/336.3
2014/0165678 A1 * 6/2014 Burrus E05B 49/00
70/279.1
2016/0298362 A1 * 10/2016 Gartner E05B 47/026
2017/0053467 A1 * 2/2017 Meganck G07C 9/00039
2018/0058098 A1 * 3/2018 Marks E05B 17/10

* cited by examiner

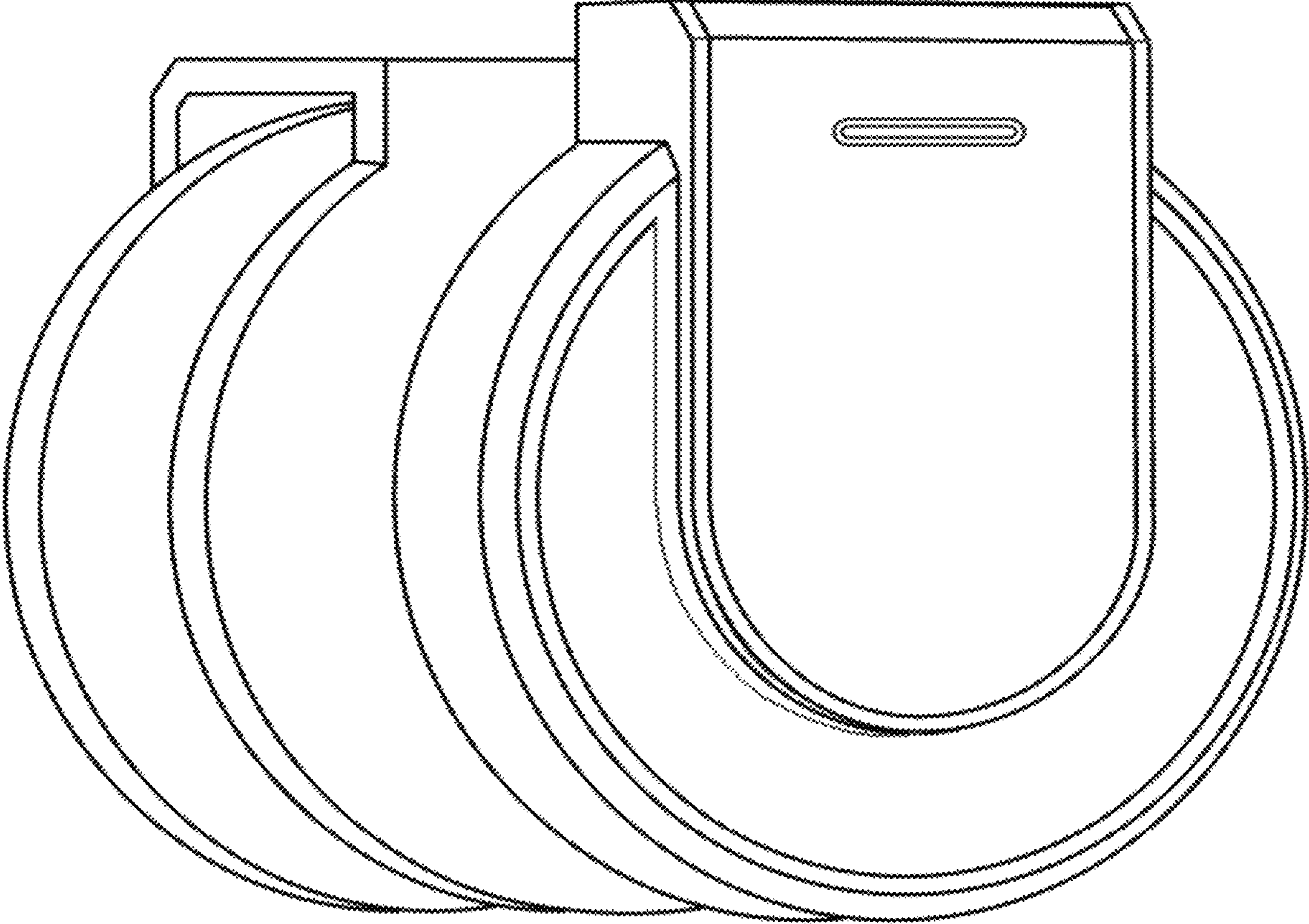


FIG. 1

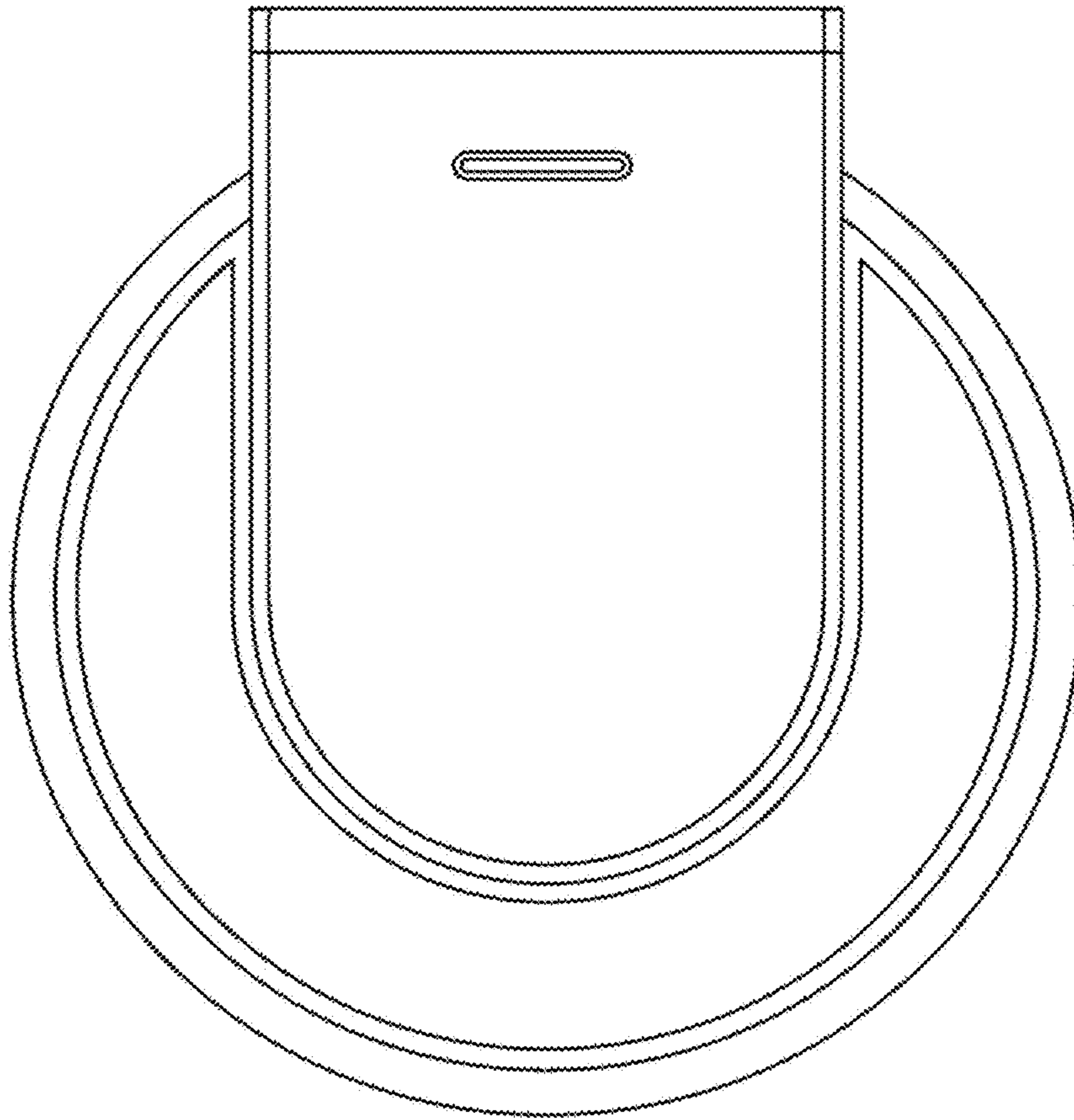


FIG. 2

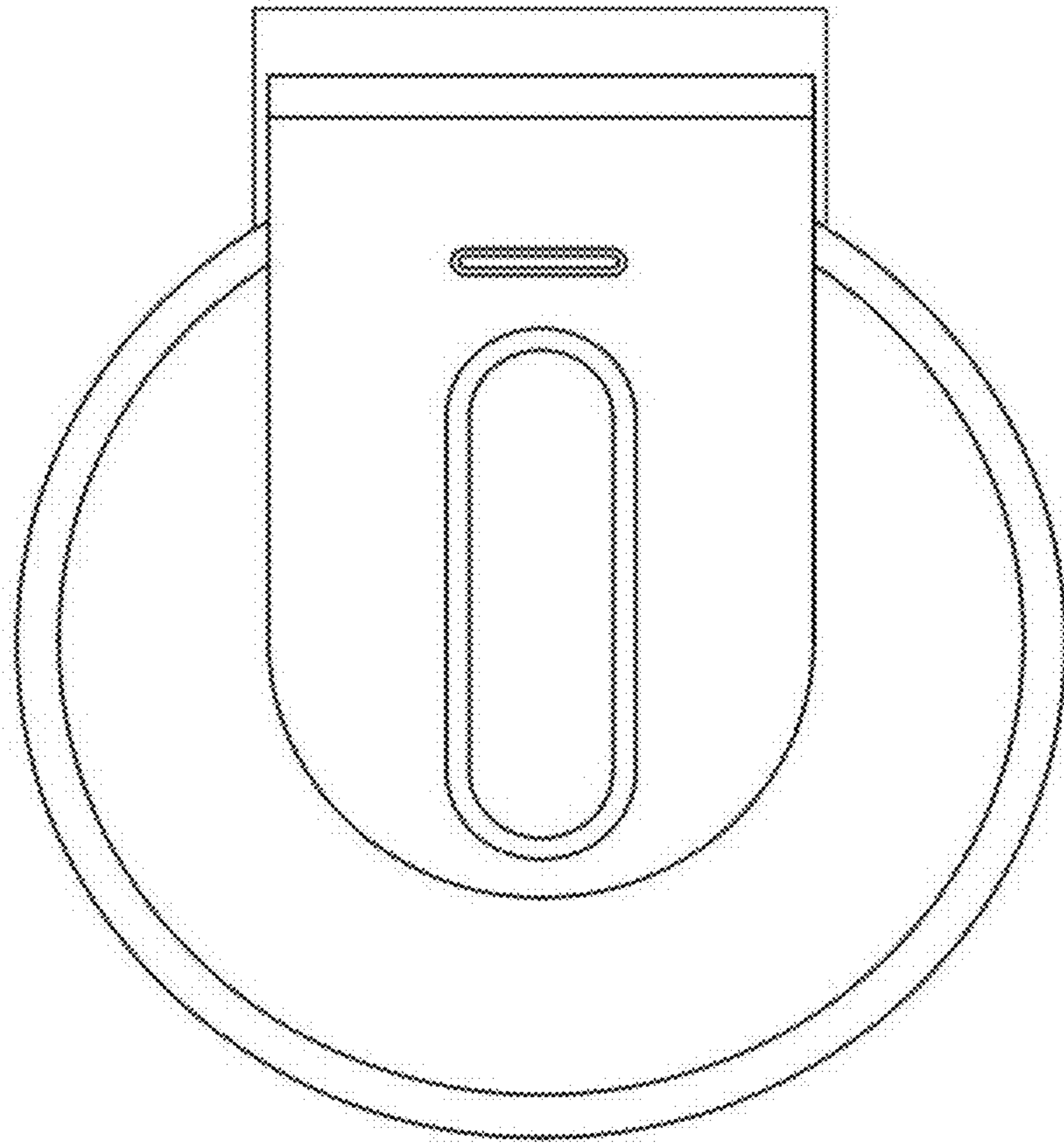


FIG. 3

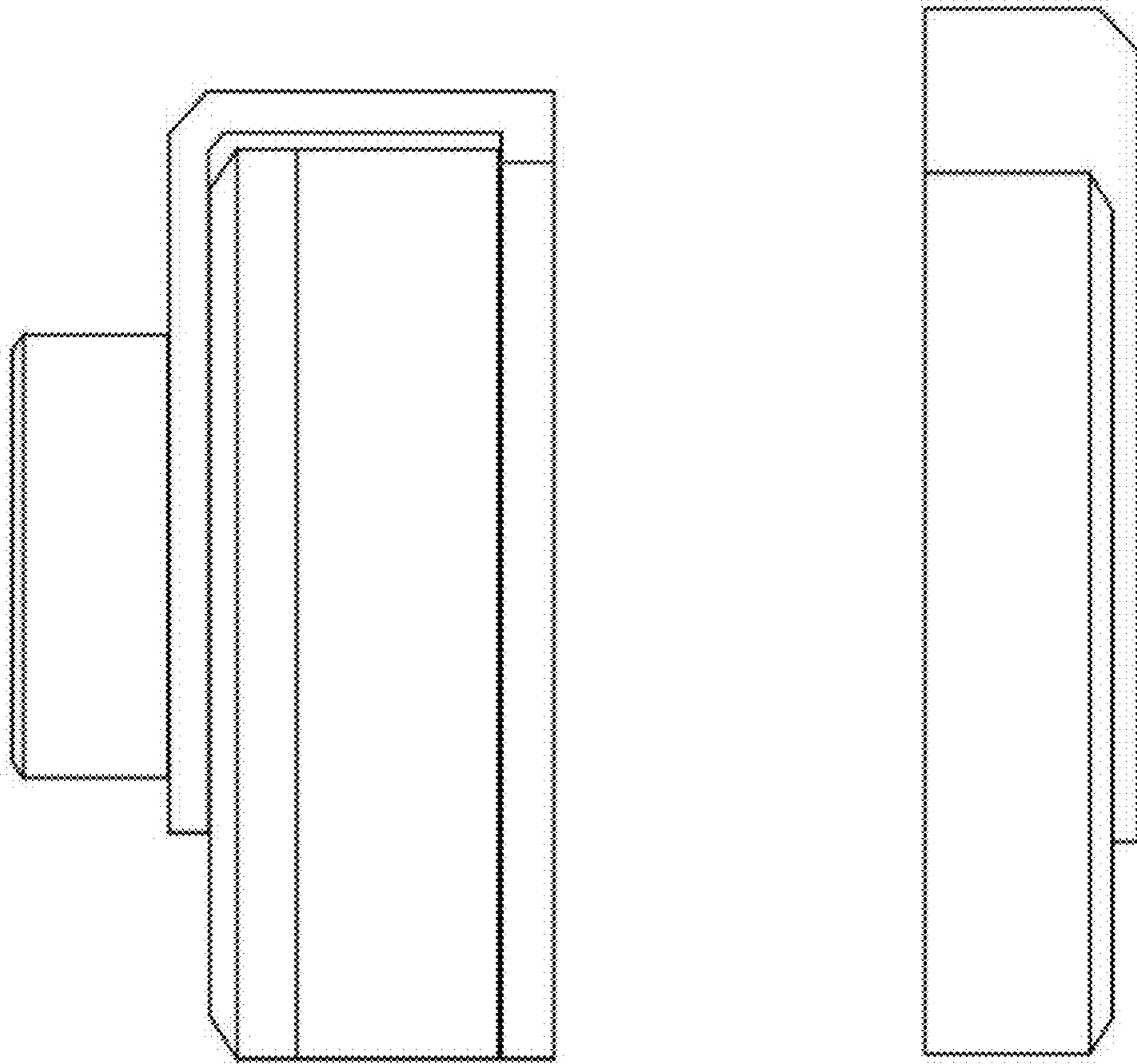


FIG. 4

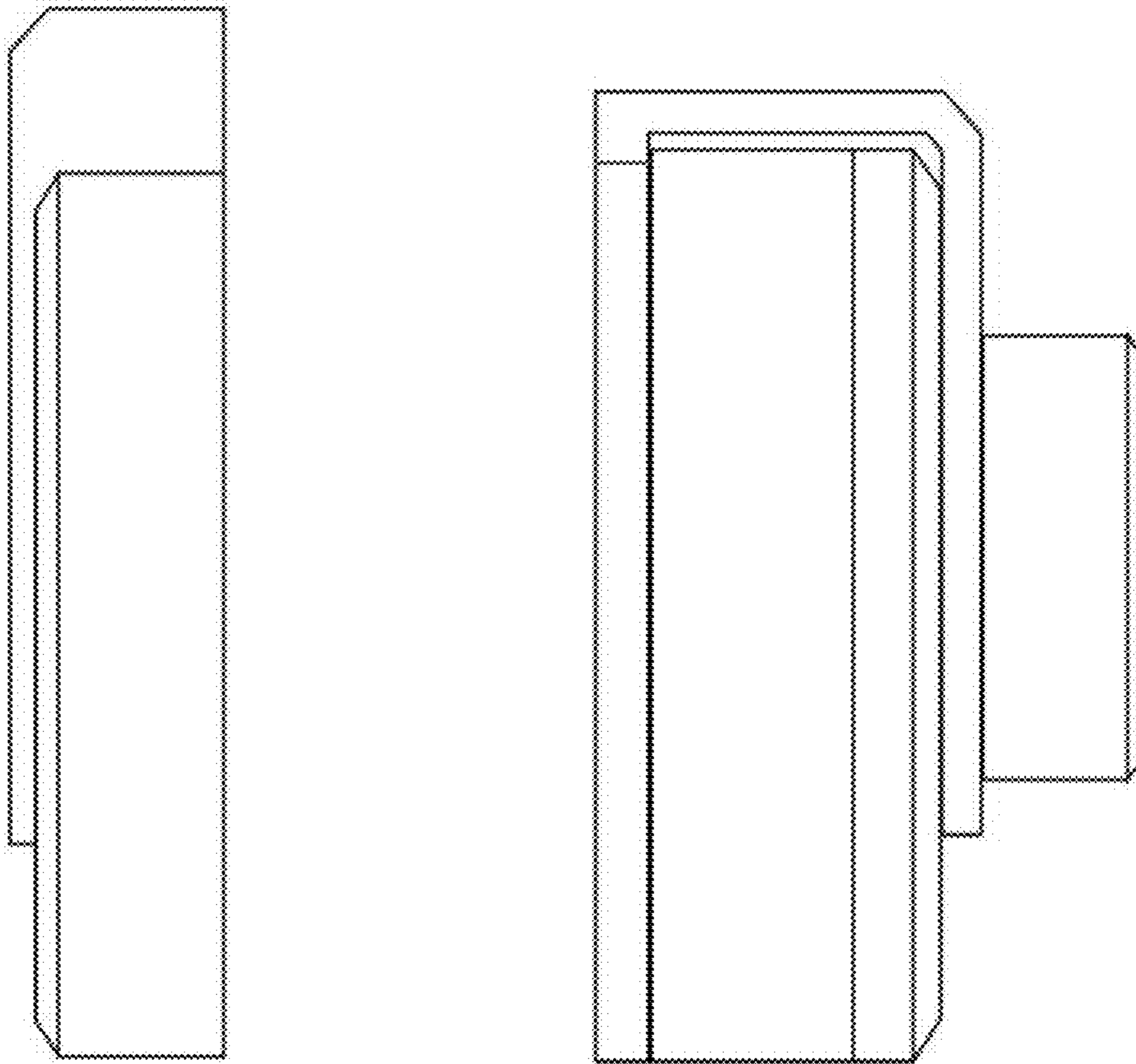


FIG. 5

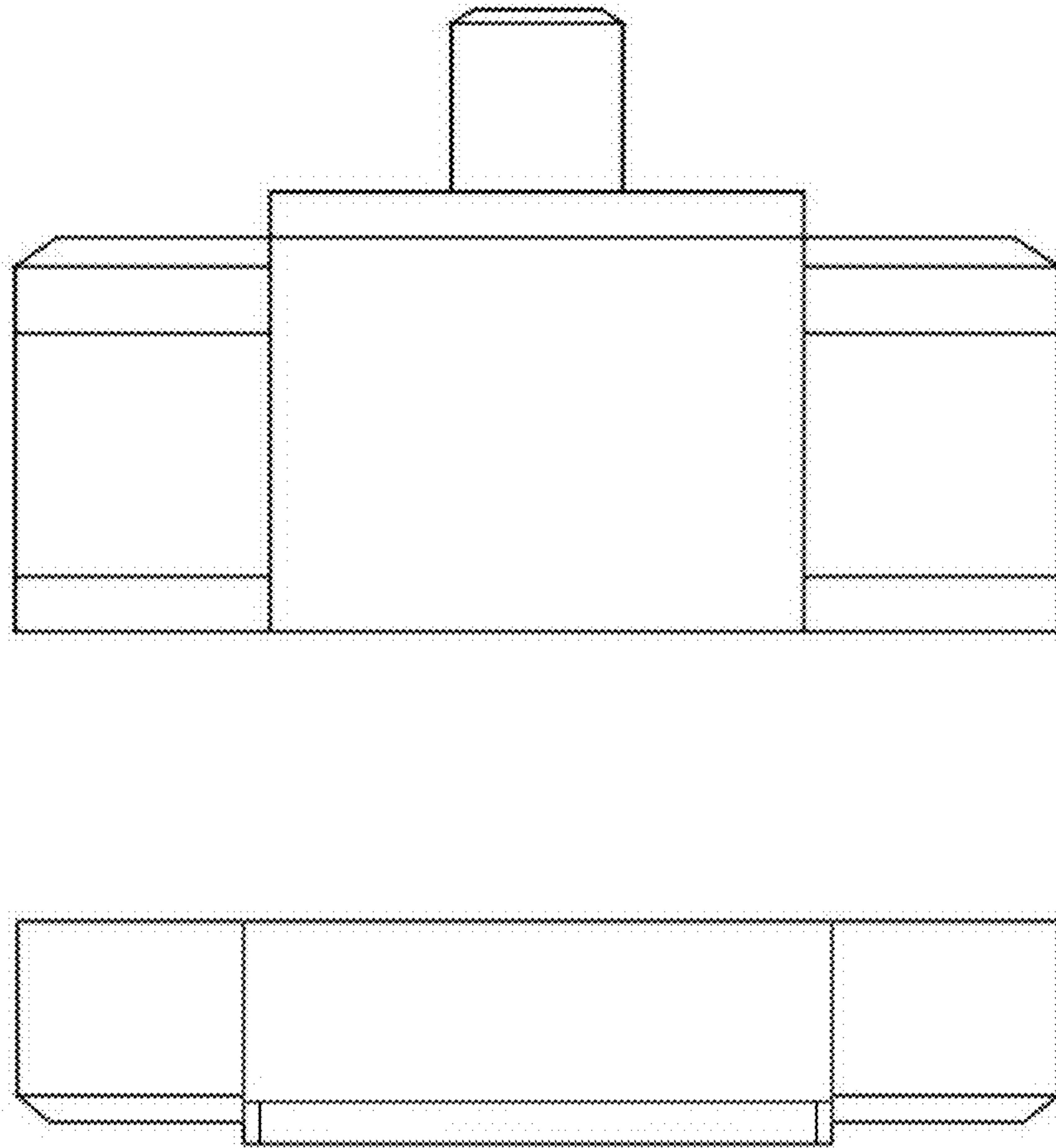


FIG. 6

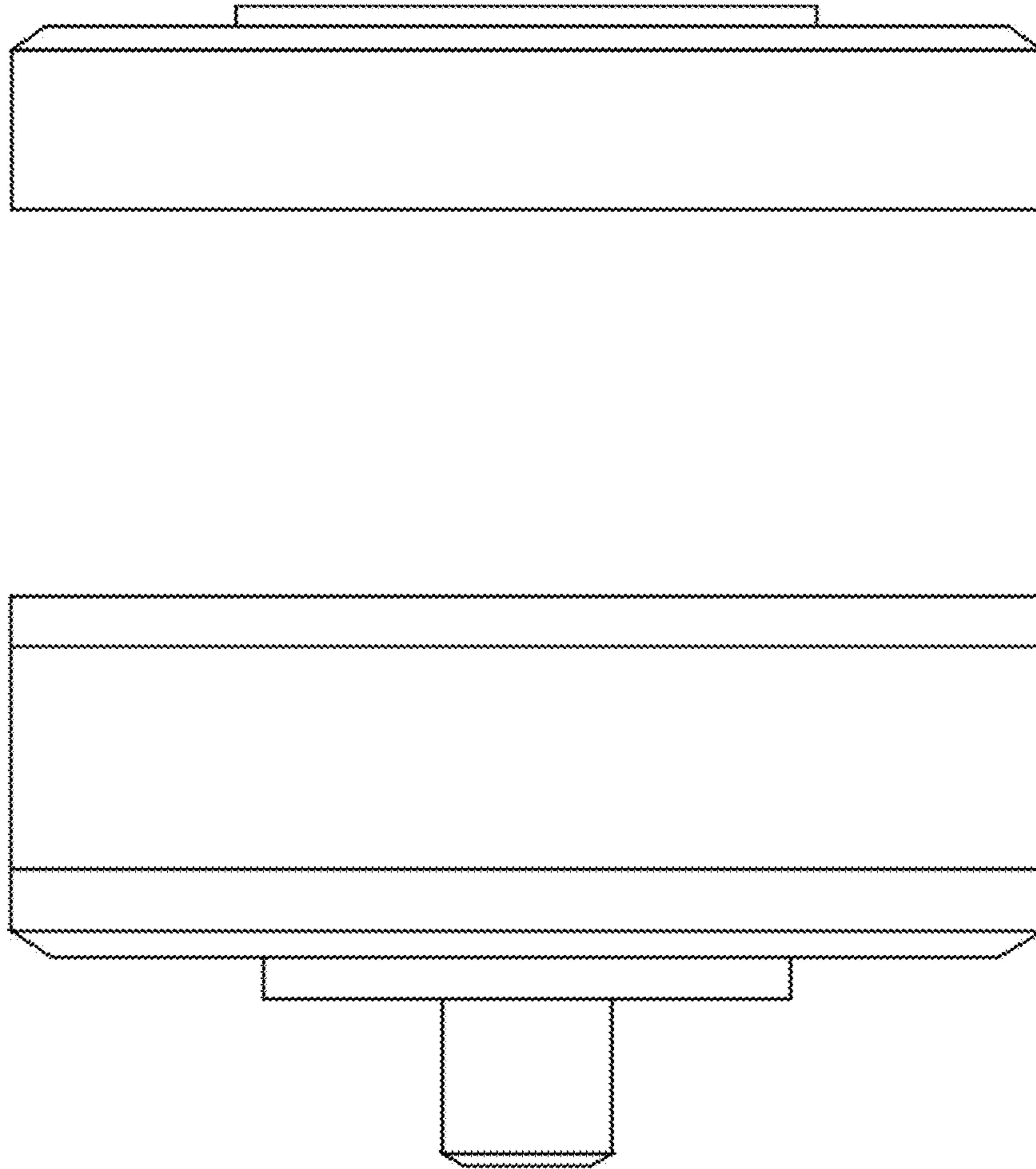


FIG. 7