



US00D887811S

(12) **United States Design Patent**  
**Adelman**

(10) **Patent No.:** **US D887,811 S**  
(45) **Date of Patent:** **\*\* Jun. 23, 2020**

(54) **MULTI-TOOL**

(71) Applicant: **Greyfin LLC**, Boulder, CO (US)

(72) Inventor: **Gregory Marc Adelman**, Boulder, CO (US)

(73) Assignee: **Greyfin LLC**, Boulder, CO (US)

(\*\*) Term: **15 Years**

(21) Appl. No.: **29/645,976**

(22) Filed: **Apr. 30, 2018**

(51) **LOC (12) Cl.** ..... **08-05**

(52) **U.S. Cl.**  
USPC ..... **D8/105**

(58) **Field of Classification Search**  
USPC ..... D8/105, 81, 88, 89, 14, 51, 98  
CPC . B25G 1/10; B25B 13/04; B66F 15/00; B66F 17/00  
See application file for complete search history.

(56) **References Cited**

**U.S. PATENT DOCUMENTS**

D302,514 S \* 8/1989 Gates ..... D8/105  
D666,883 S \* 9/2012 Howard ..... F41A 35/00  
D8/19

D726,517 S \* 4/2015 Fischer ..... D8/17  
D772,028 S \* 11/2016 Tangreen ..... D8/17  
D780,550 S \* 3/2017 Manor ..... D8/105  
D781,125 S \* 3/2017 Manor ..... D8/105  
D808,240 S 1/2018 Kelleghan  
D837,619 S \* 1/2019 George ..... D8/14  
D848,813 S 5/2019 Kelleghan  
D869,930 S \* 12/2019 Parker ..... D8/105  
D873,643 S \* 1/2020 Hadden ..... D8/105  
D878,890 S \* 3/2020 Riehl ..... D8/105

\* cited by examiner

*Primary Examiner* — Janice Hallmark

(74) *Attorney, Agent, or Firm* — Sterne, Kessler, Goldstein & Fox P.L.L.C.

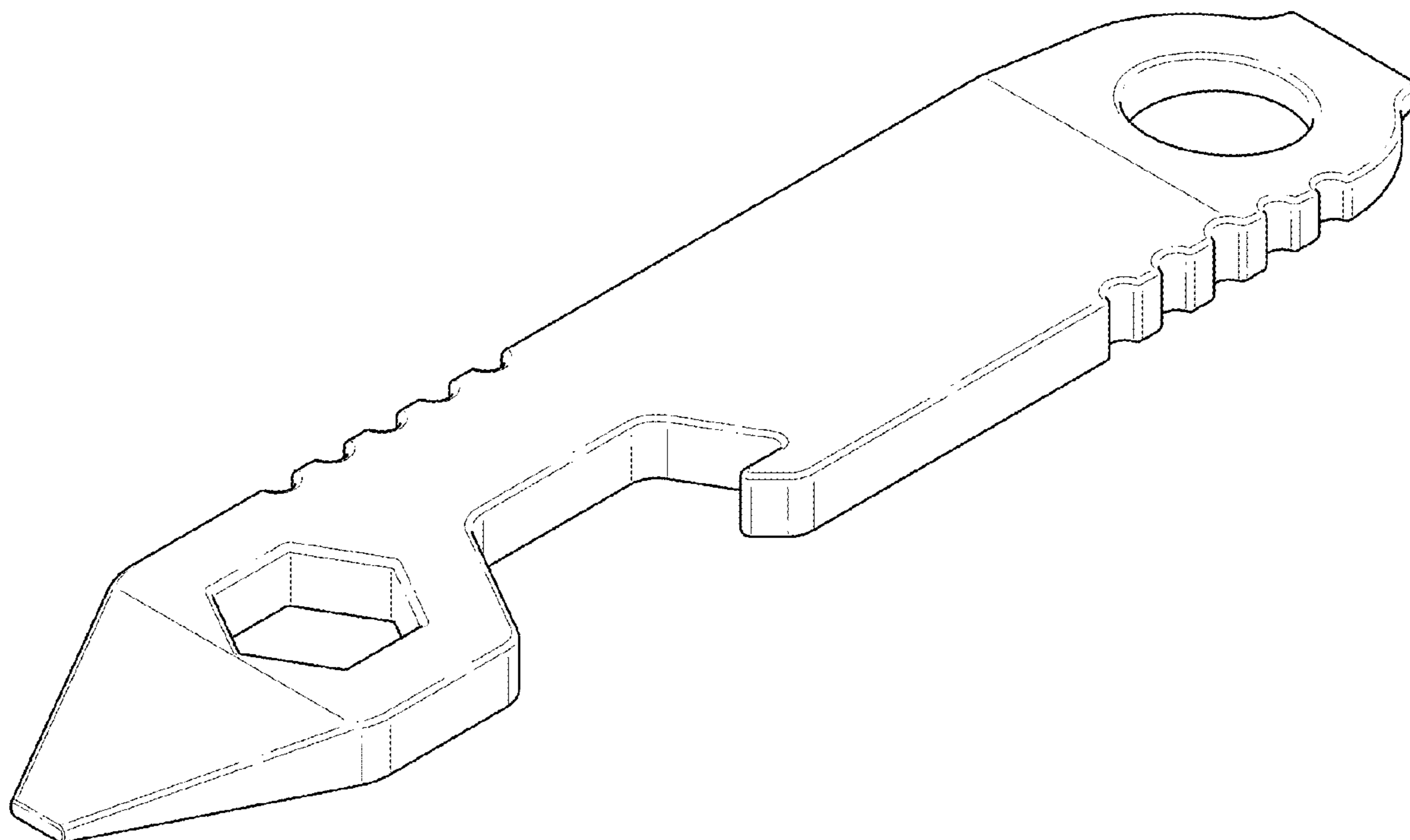
(57) **CLAIM**

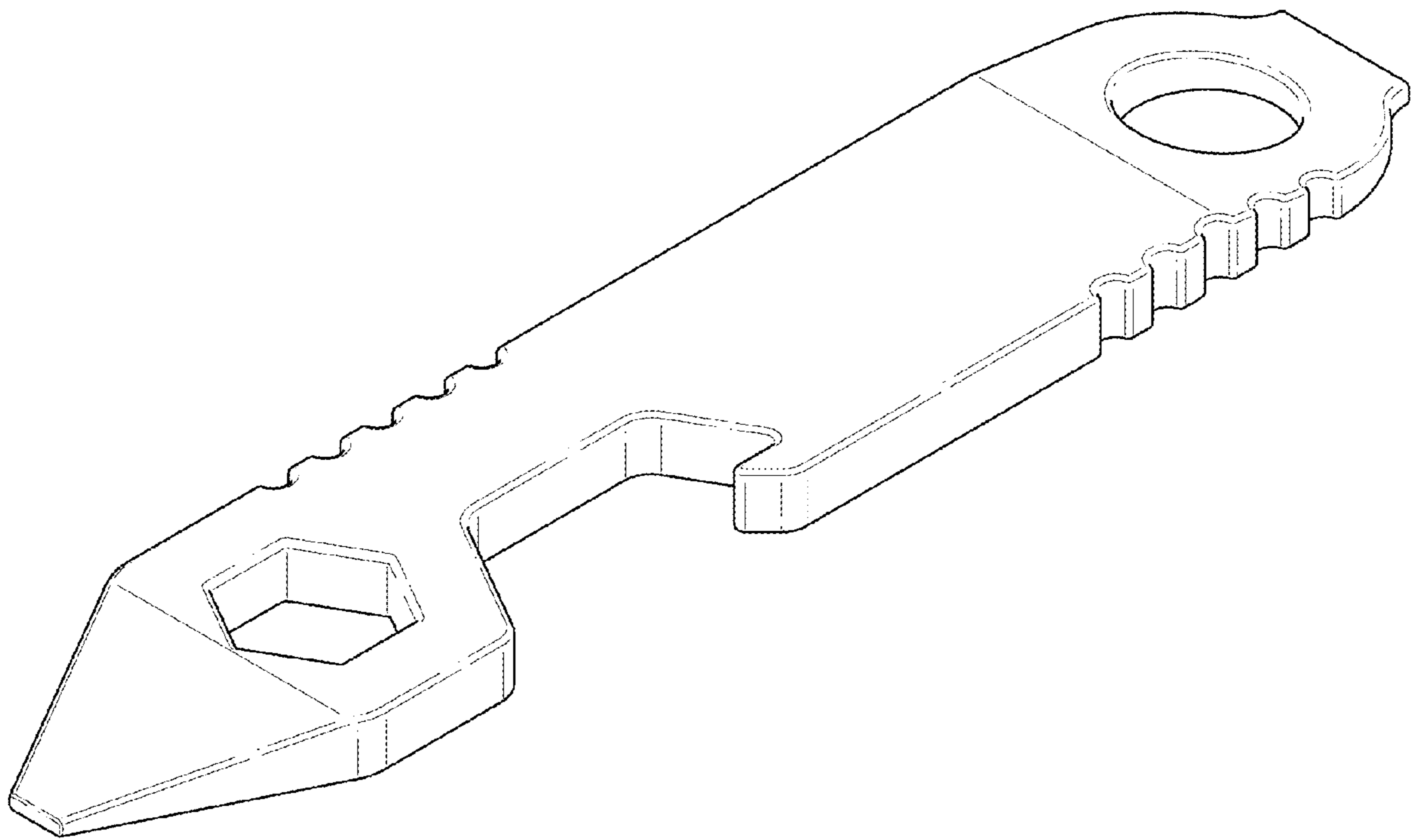
The ornamental design for a multi-tool, as shown and described.

**DESCRIPTION**

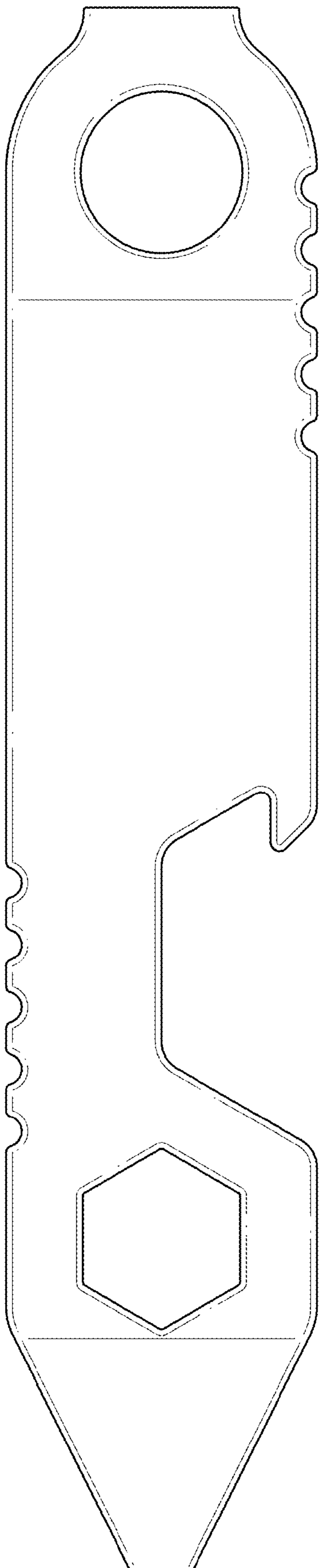
FIG. 1 is a bottom front perspective view of a multi-tool showing the claimed design;  
FIG. 2 is a front view thereof;  
FIG. 3 is a rear view thereof;  
FIG. 4 is a left side view thereof;  
FIG. 5 is a right side view thereof;  
FIG. 6 is a top view thereof; and,  
FIG. 7 is a bottom view thereof.

**1 Claim, 3 Drawing Sheets**

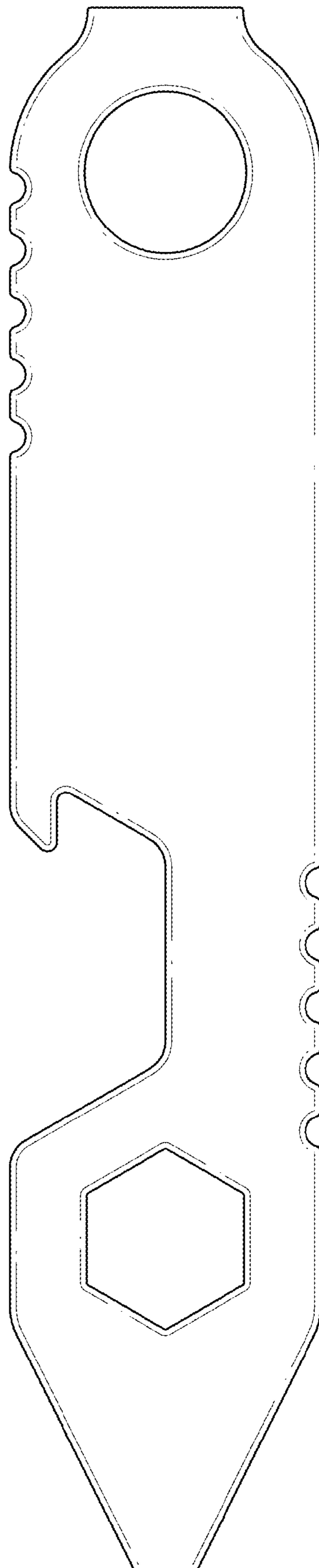




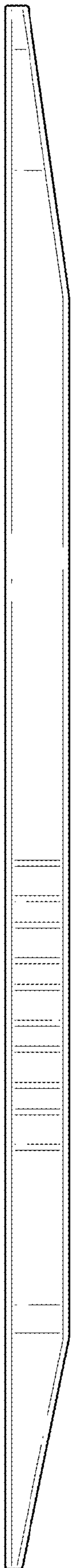
**FIG. 1**



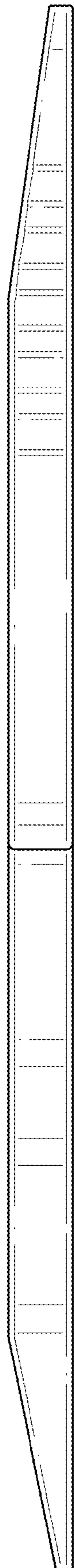
**FIG. 2**



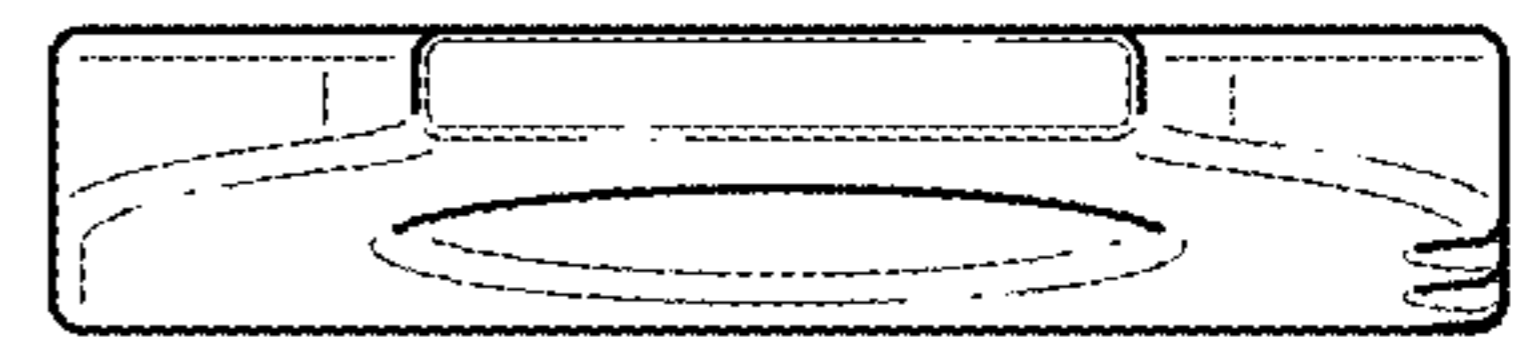
**FIG. 3**



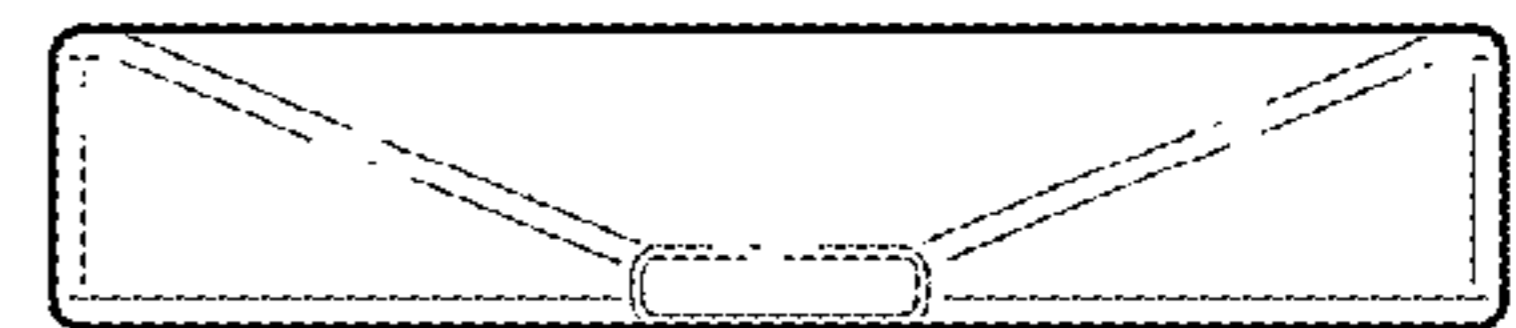
**FIG. 4**



**FIG. 5**



**FIG. 6**



**FIG. 7**