



US00D887810S

(12) **United States Design Patent**
Su

(10) **Patent No.:** US D887,810 S
(45) **Date of Patent:** ** Jun. 23, 2020

- (54) **PRY BAR**
- (71) Applicant: **Hong Ann Tool Industries Co., Ltd.,**
Taichung (TW)
- (72) Inventor: **Cheng-Wei Su, Taichung (TW)**
- (73) Assignee: **Hong Ann Tool Industries Co., Ltd.,**
Taichung (TW)
- (**) Term: **15 Years**
- (21) Appl. No.: **29/668,155**
- (22) Filed: **Oct. 29, 2018**
- (51) **LOC (12) Cl.** **08-05**
- (52) **U.S. Cl.**
USPC **D8/89**
- (58) **Field of Classification Search**
USPC D8/14, 88, 89, 51, 105, 323
CPC B25G 1/06; B25G 1/04; B25G 3/38; Y10T
403/32271; Y10T 403/32368; Y10T
403/32434; B25B 27/02
See application file for complete search history.

- 8,511,207 B2 * 8/2013 Su B25G 1/06
254/25
- 8,708,312 B2 * 4/2014 Stawarski B25G 1/06
192/69
- 8,763,225 B2 * 7/2014 Bruce B25B 27/02
29/270
- D782,271 S * 3/2017 Harrington D8/107
- 2010/0314593 A1 * 12/2010 Fan B25G 3/38
254/25
- 2012/0102699 A1 * 5/2012 Bruce B25B 27/02
29/275
- 2017/0051521 A1 * 2/2017 Bridges E04G 23/08

* cited by examiner

Primary Examiner — Philip S Hyder
(74) *Attorney, Agent, or Firm* — Alan D. Kamrath; Karin L. Williams; Mayer & Williams PC

(57) **CLAIM**

The ornamental design for a pry bar, as shown and described.

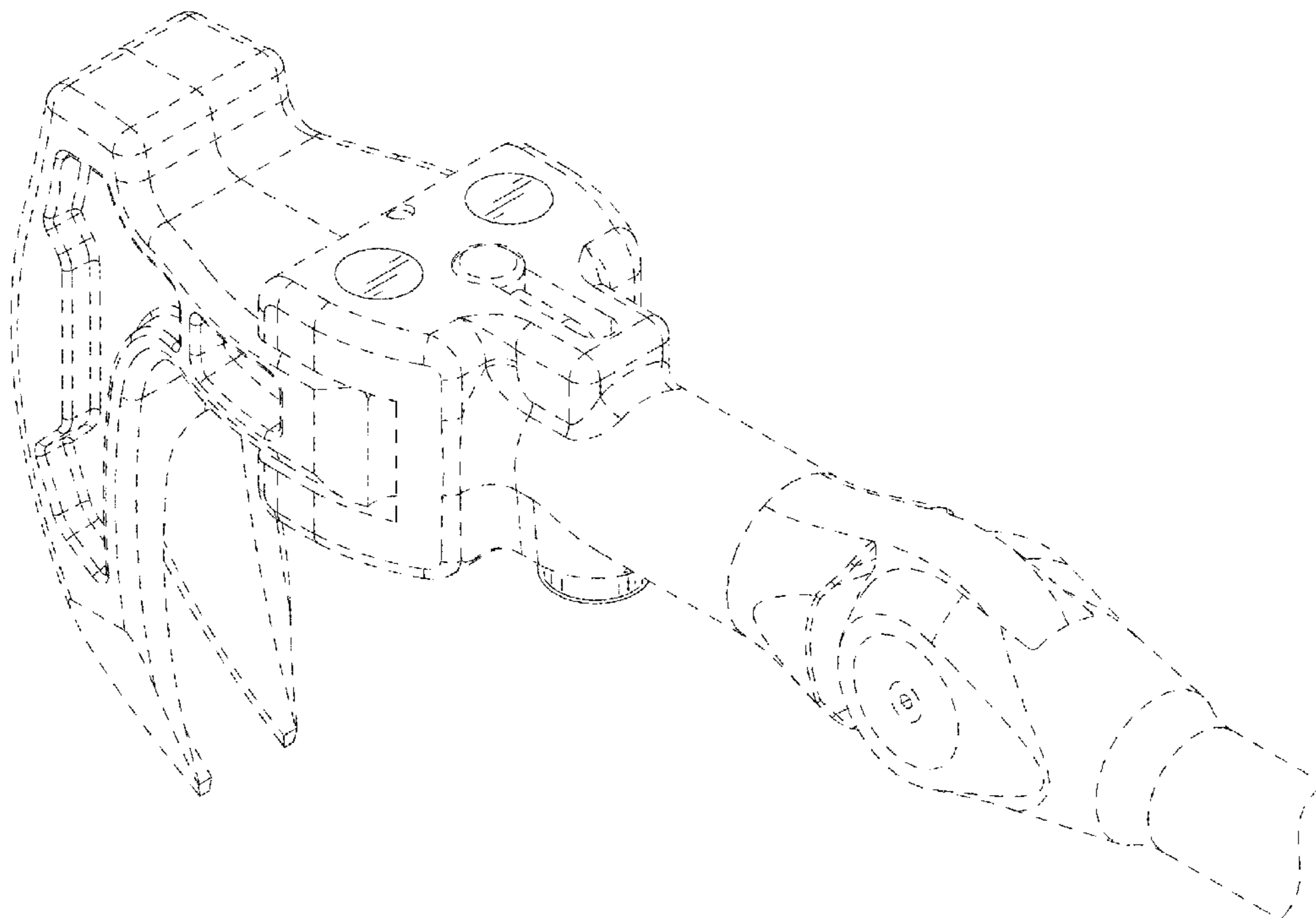
DESCRIPTION

FIG. 1 is a perspective view of a pry bar showing my new design;
FIG. 2 is a front view thereof;
3 is a rear view thereof;
FIG. 4 is a left view thereof;
FIG. 5 is a right view thereof;
FIG. 6 is a top view thereof; and,
FIG. 7 is a bottom view thereof.
The broken lines depict portions of the pry bar in which the design is embodied that are not considered part of the claimed design.

1 Claim, 7 Drawing Sheets

(56) **References Cited**
U.S. PATENT DOCUMENTS

- 7,520,199 B2 * 4/2009 Stawarski B25G 1/06
81/177.7
- D593,835 S * 6/2009 Good D8/89
- 7,682,099 B2 * 3/2010 Cole B25F 1/04
192/69.91
- D634,599 S * 3/2011 Good D8/89
- D637,881 S * 5/2011 Good D8/89
- 8,297,596 B2 * 10/2012 Su B66F 15/00
254/129



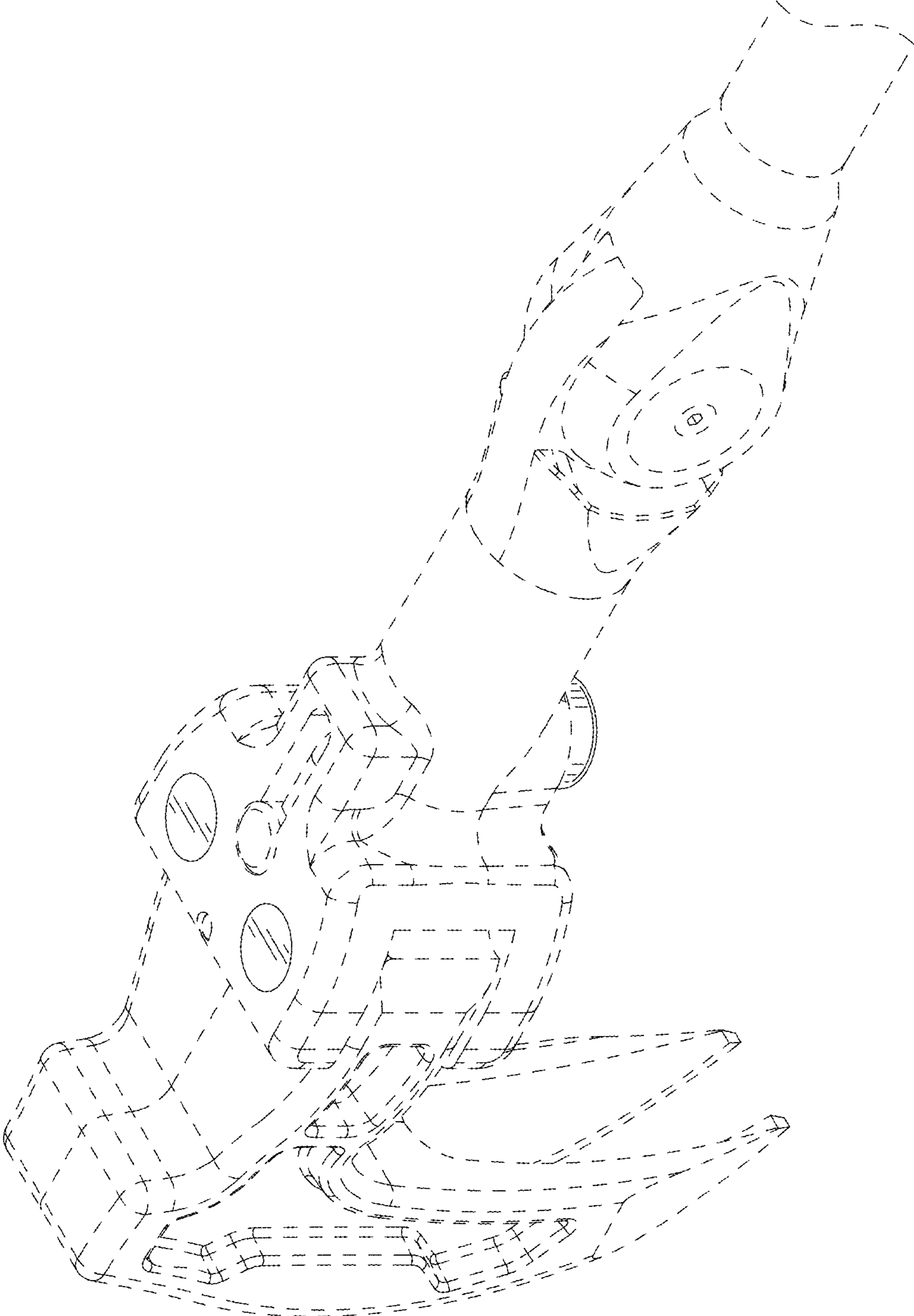


FIG. 1

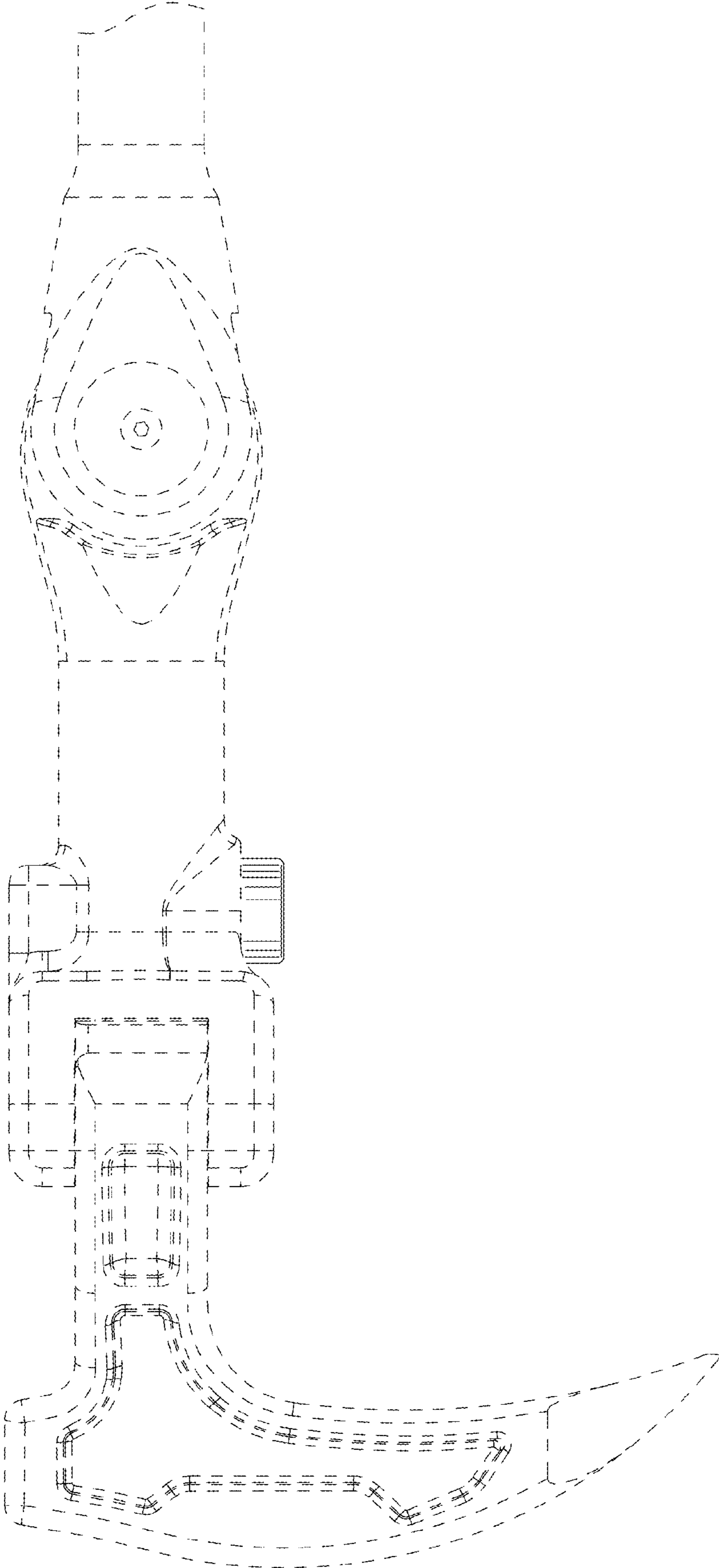


FIG. 2

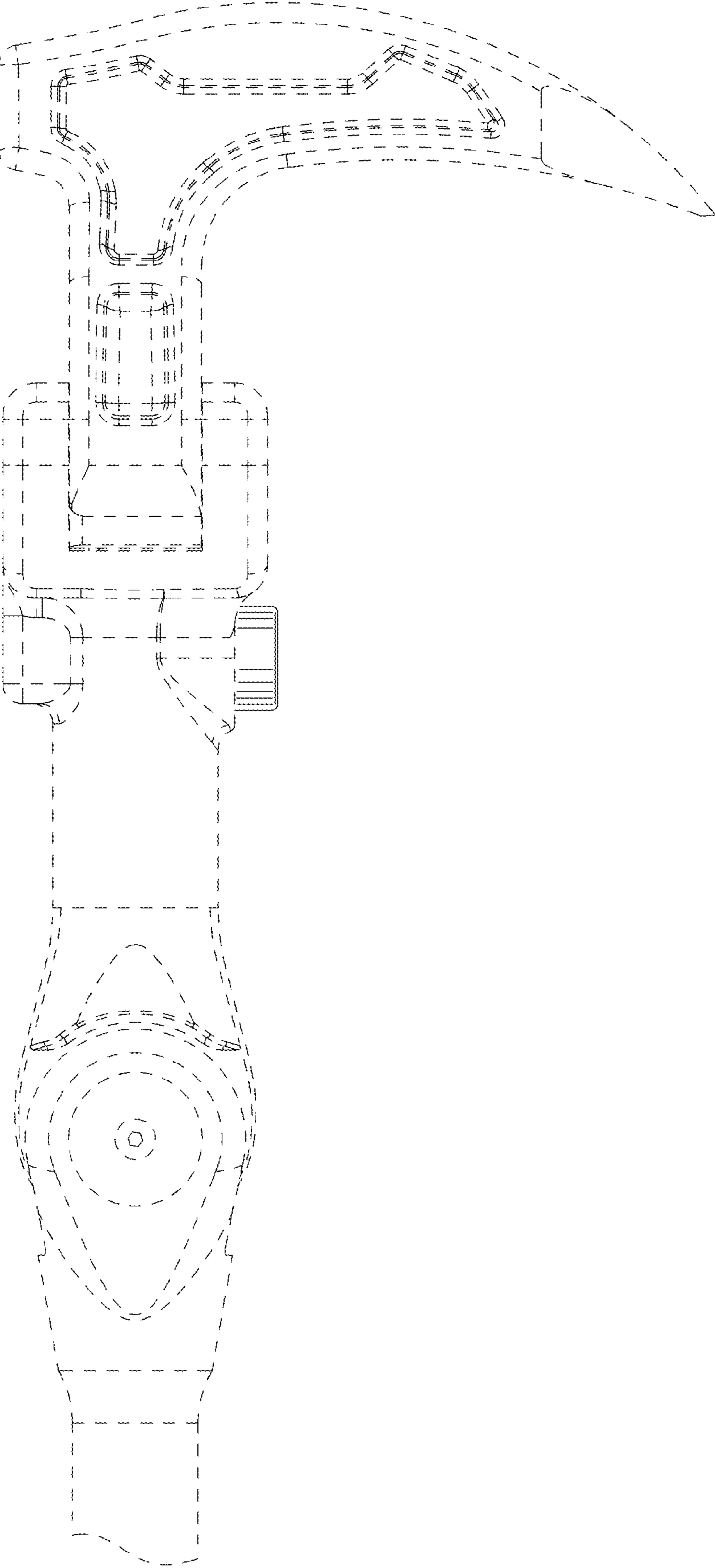


FIG. 3

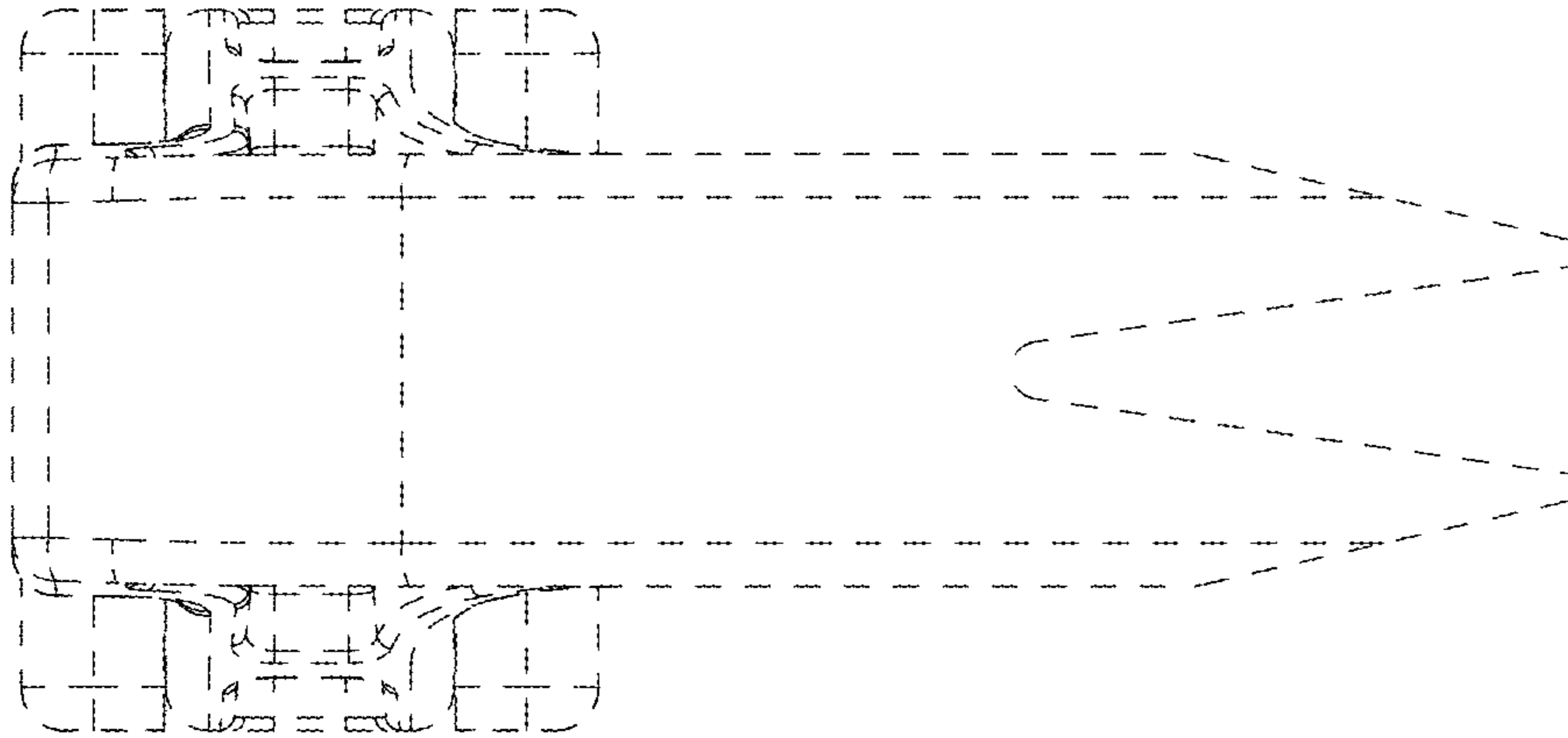


FIG. 4

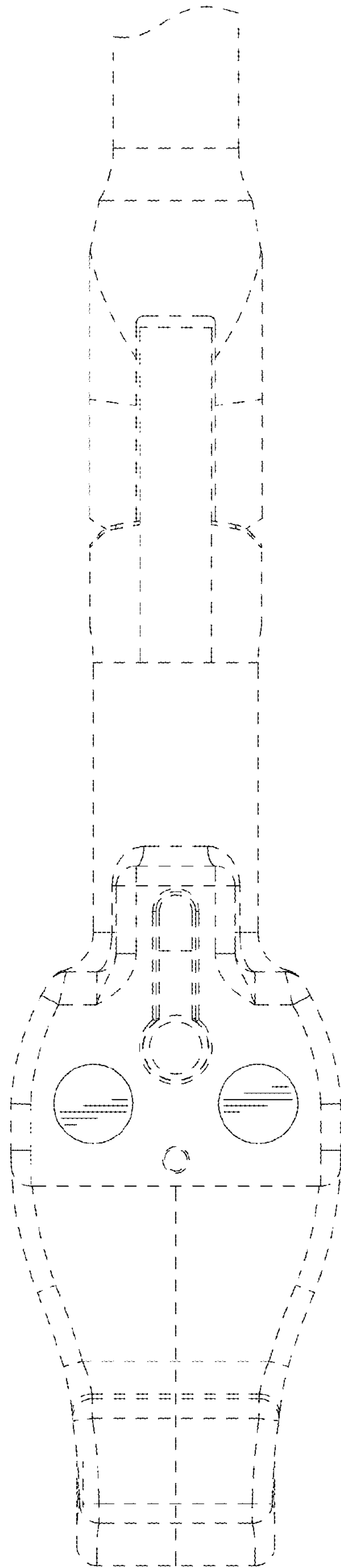


FIG. 5

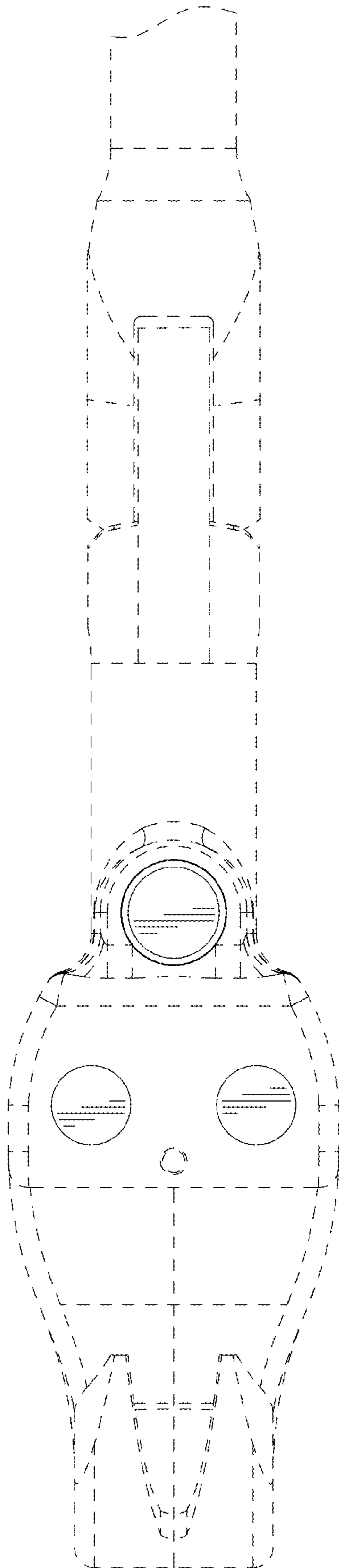


FIG. 6

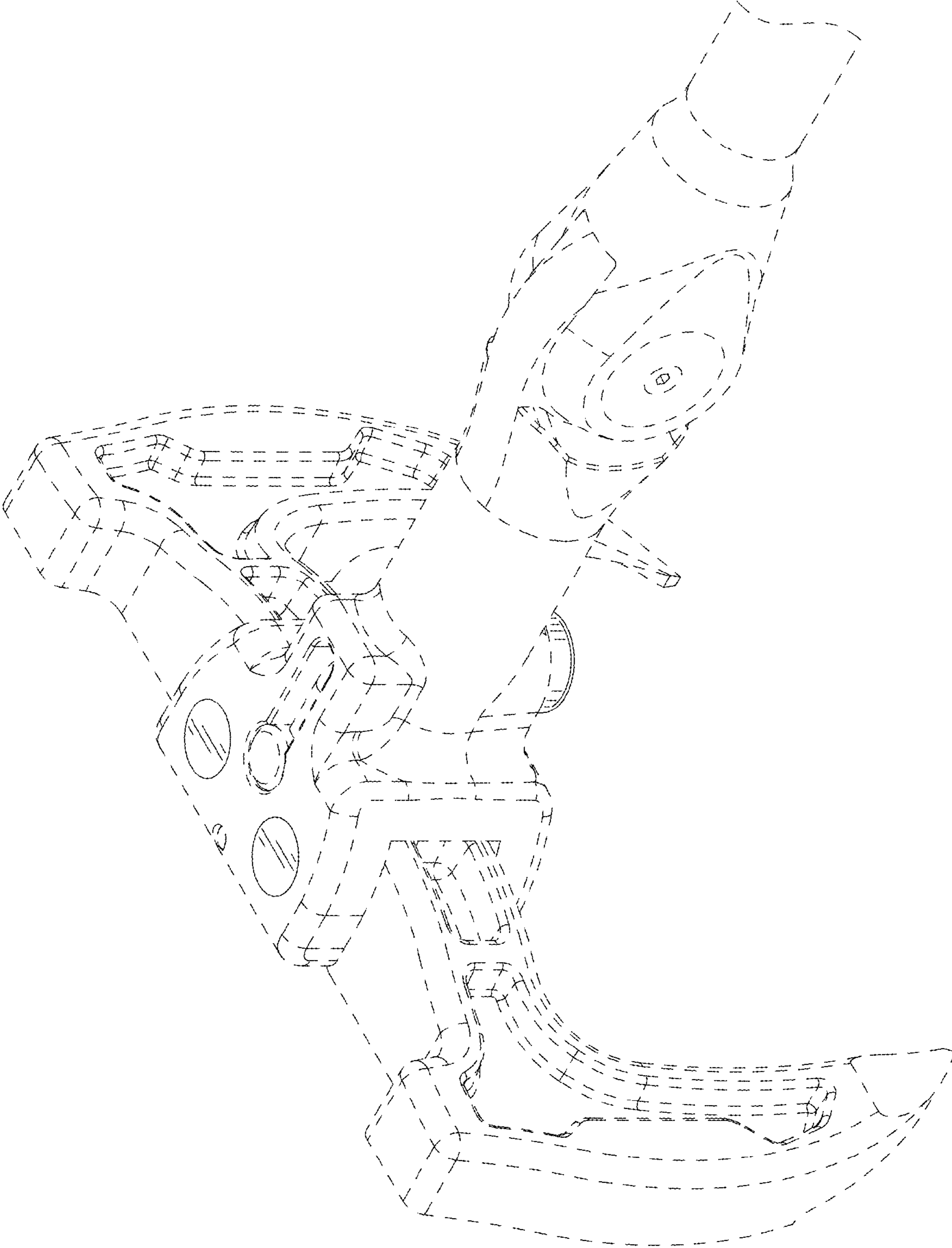


FIG. 7